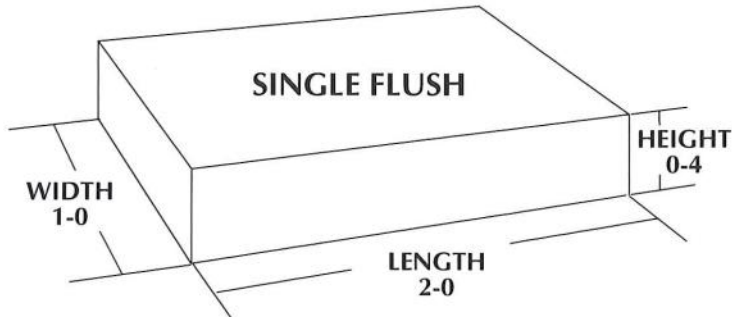




# Lakeland Monuments LLC

## Explanation of Designs



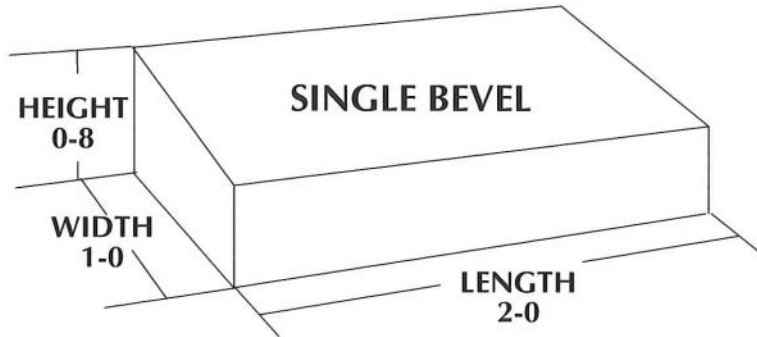
### Flush Mount

Also known as a Marker

Typical single Flush is 24in long x 12in wide x 4in high

Typical multi family Flush will be 36in long

Flush will be encased in concrete with a 4in border on all sides. This will then be set into the ground



### Bevel

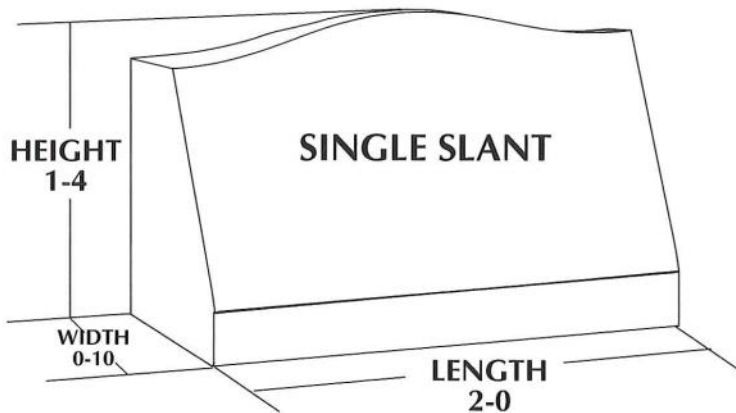
Typical Bevels are the same length and width as a Flush.

Bevels come in two heights

6in rear x 4in front height

8in rear x 6in front height

Bevels will sit on top of a concrete foundation with a 4-6in border on all sides.



### Slant

Typical Slant has the same length as Flush or Bevel with a height of 16in and a width of 10in.

Slants will sit on top of a concrete foundation with a border of 4-6in on all sides.

Slants can also sit on a granite base for more effect, this base can also be engraved. The base, will sit on a concrete foundation with a 4-6in border on all sides

### REFERENCE FOR SIZES

2" = 0-2  
4" = 0-4  
6" = 0-6  
8" = 0-8  
10" = 0-10  
12" = 1-0

14" = 1-2  
16" = 1-4  
18" = 1-6  
20" = 1-8  
22" = 1-10  
24" = 2-0

26" = 2-2  
28" = 2-4  
30" = 2-6  
32" = 2-8  
34" = 2-10  
36" = 3-0

38" = 3-2  
40" = 3-4  
42" = 3-6  
44" = 3-8  
46" = 3-10  
48" = 4-0

50" = 4-2  
52" = 4-4  
54" = 4-6  
56" = 4-8  
58" = 4-10  
60" = 5-0



# Lakeland Monuments LLC

## Explanation of Designs

### Monument Die

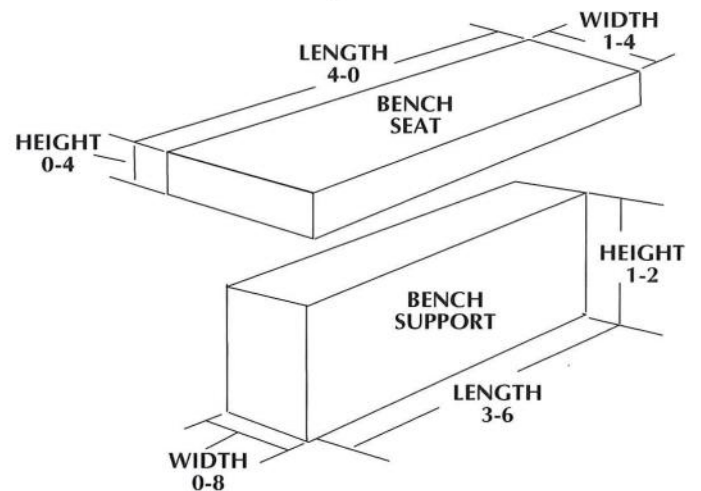
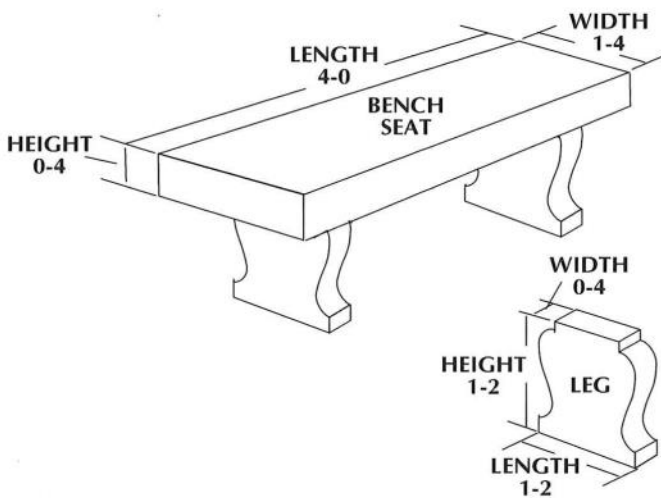
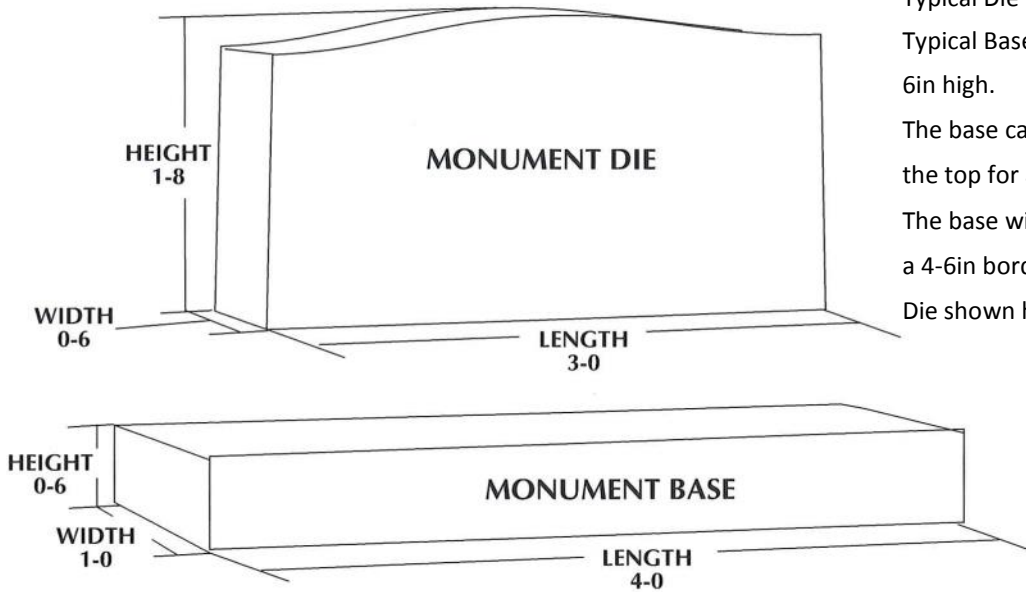
Also called an Upright monument

Typical Die is 36in long x 6 or 8in wide x 20in high  
 Typical Base for this die is 48in long x 12in wide x 6in high.

The base can be ordered with a polished band along the top for additional engraving space.

The base will sit on top of a concrete foundation with a 4-6in border on all sides.

Die shown has a 'serp' top.



The above dimensions are typical, benches can be engraved to make a perfect memorial piece.

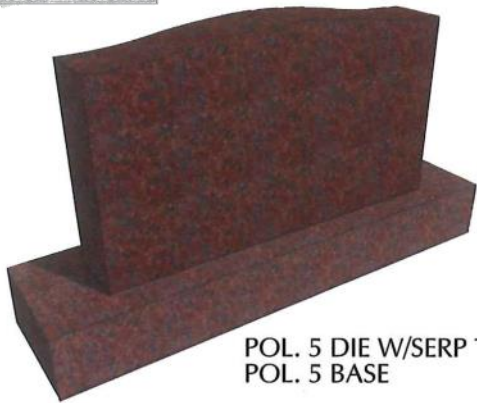
There are many styles to choose from, please contact us for the full offering.

Some benches can be used to hold the cremains.

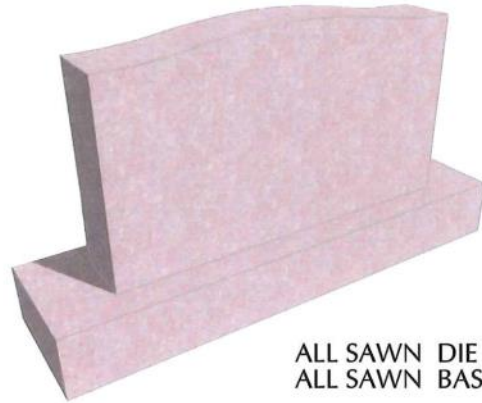


# Lakeland Monuments LLC

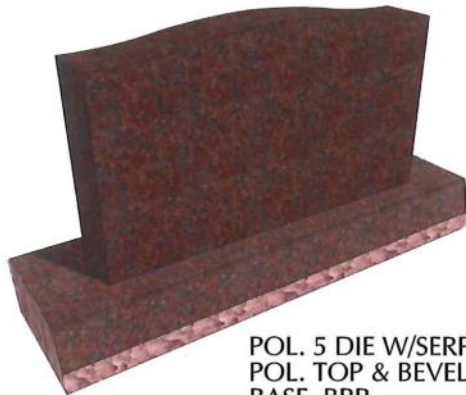
## Explanation of Designs



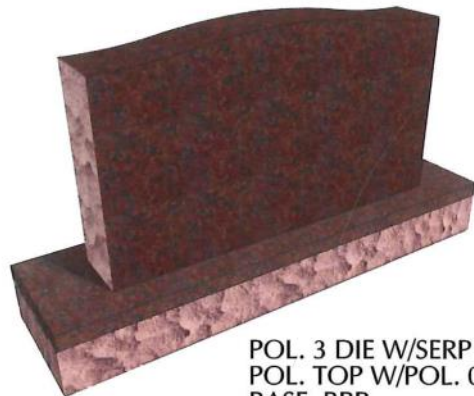
POL. 5 DIE W/SERP TOP  
POL. 5 BASE



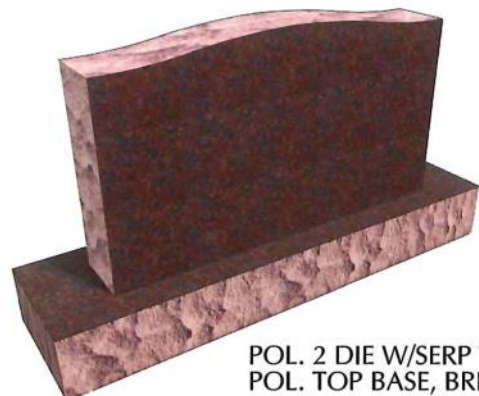
ALL SAWN DIE W/SERP TOP  
ALL SAWN BASE



POL. 5 DIE W/SERP TOP  
POL. TOP & BEVEL FRONT  
BASE, BRP

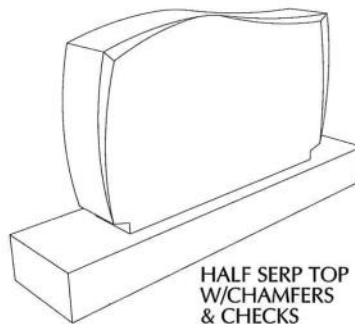


POL. 3 DIE W/SERP TOP, BRP  
POL. TOP W/POL. 0-2 MARGIN  
BASE, BRP

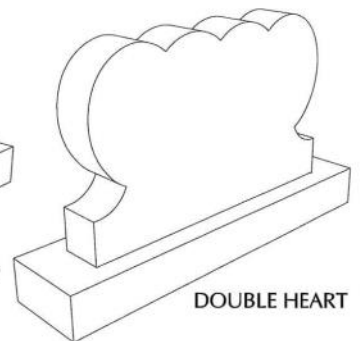


POL. 2 DIE W/SERP TOP, BRP  
POL. TOP BASE, BRP

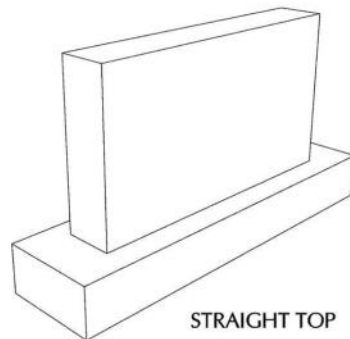
### COMMON MONUMENT STYLES



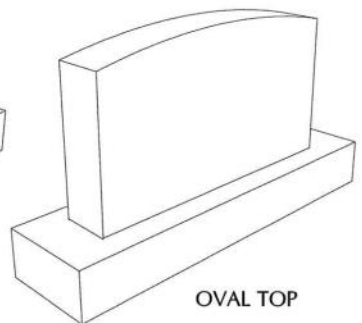
HALF SERP TOP  
W/CHAMFERS  
& CHECKS



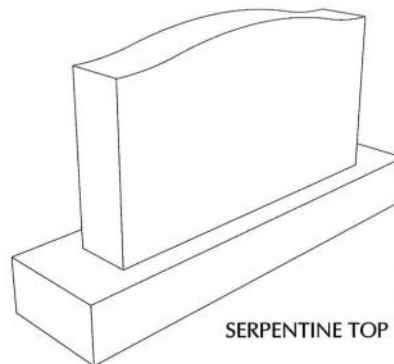
DOUBLE HEART



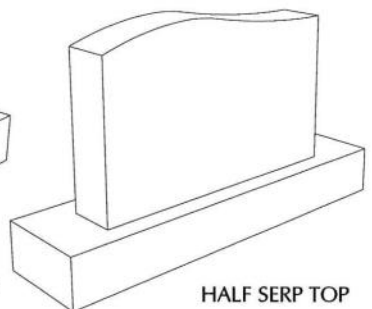
STRAIGHT TOP



OVAL TOP



SERPENTINE TOP



HALF SERP TOP

\* BRP = Balance Rock Pitch



# Lakeland Monuments LLC

## Glossary of Terms

Base	The lower part of a multi-sectional monument
Bevel Marker	A rectangular, angled or sloped- top marker
Carving	The process of shaping a stone to the desired effect includes sandblast, sculptural, shape, line and hand carving
Columbarium	A vault with niches for urns containing ashes of the dead.
Cremation Urn	A delicate urn used to hold the remains of a cremated body.
Design	A sketch or picture of an artist's concept of a special designed monument
Die	The primary body portion of any monument whether large or small.
Drop	The amount of space between the highest and lowest point of a bevel.
Epoxy	A thermoset adhesive used to permanently attached to items together.
Etching	Most commonly referred to when drawing portraits or scenes on memorials.
Face	The front of any monument or the forward portion of a slant or bevel.
Flat carving	Any line carving on the surface of stone.
Flush Marker	A flat piece of stone usually set in concrete and set even with the lawn.
Foundation	Normally made of concrete upon which monuments are placed.
Frost	To remove the polish and leave a matte finish, also called 'dust' or 'skin'.
Grass Marker	A small, flat piece of stone or metal set with or approximately with the level of the ground. Also called a lawn-level marker or flush-mount marker.
Gravestone	Another term for a granite memorial, can be of various sizes and designs.
Headstone	Another term for a granite memorial, can be of various sizes and designs.
Margin	The extreme outer portion of any stone piece, which is given a contrasting finish for effect. It can be sawn, steeled, hammered, or polished.
Marker	Another term for a small flat memorial such as a flush or bevel.
Memorial	Technically, a structure that reminds us of a specific event or person. Therefore a monument serves as a memorial.
Nosing	Used in two ways: on monuments, it refers to any cut or additional stone projecting out beyond the main surface line. On slant markers, it can refer to either the top or front.
Polished	Term used to describe the high gloss finish on a monument.
Raised Letters	A particular style of letter that is accomplished by removing the area around the letter and making it raised from the surface.
Rock Pitching	The cutting or chipping away of rough stone to a predetermined and marked line.
Rubbing	The process of tracing the lettering and design on the face of a monument by rubbing crayon or the like over paper.
Serpentine	Any surface or molding cut to resemble the S-like motions of a serpent.
Setting Compound	Used to form the seal between the tablet and the base or other joints of the monument that must be sealed to keep water out. This product is not an adhesive.
Skin Carving	Any shallow carving on the skin or surface of a monument that is executed by removing the polish; has no depth
Slant	Name for a marker with an extreme slant face and usually with a nosing at either the top or bottom, or both.
Stencil	A sheet of rubber material affixed to the stone onto which the design has been transferred and then cut out to expose portions of the stone for sandblasting.
Tablet or screen	The die, tablet or screen is the main part of a monument. Any finished monument without letter or ornament.
V-sunk letters	A particular style of letter that uses a carver's chisel to create the letter by cutting into a 'V' shape in the stone.
Wash	A beveled surface making up the exposed portion of the upper edge of a monument base. This is designed to assure water run-off.