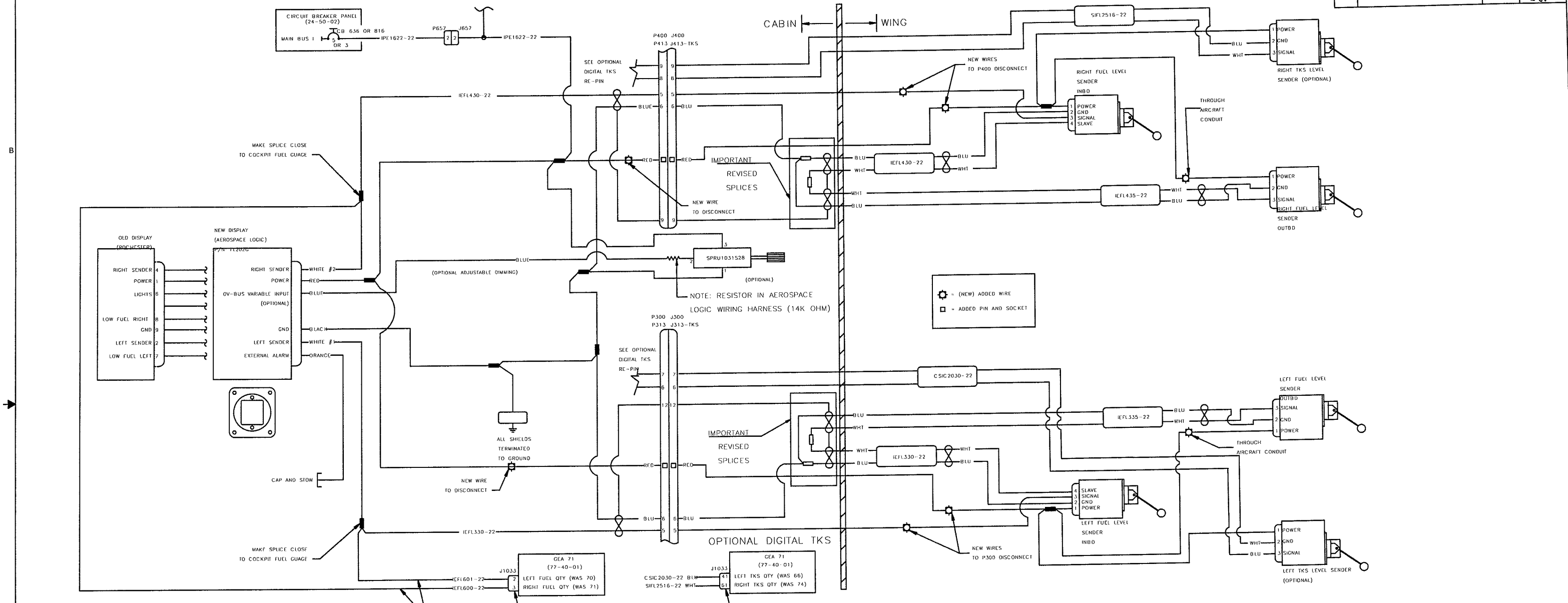


PROPRIETARY NOTICE
 INFORMATION DISCLOSED HEREIN IS THE PROPERTY OF CIES INCORPORATED. IT IS FURNISHED FOR EVALUATION PURPOSES ONLY AND SHALL NOT BE DISCLOSED OR USED FOR ANY OTHER PURPOSES EXCEPT AS SPECIFIED BY CONTRACT BETWEEN THE RECIPIENT AND CIES INCORPORATED. DUPLICATION OF ANY PORTION OF THIS DOCUMENT SHALL INCLUDE THIS NOTICE.

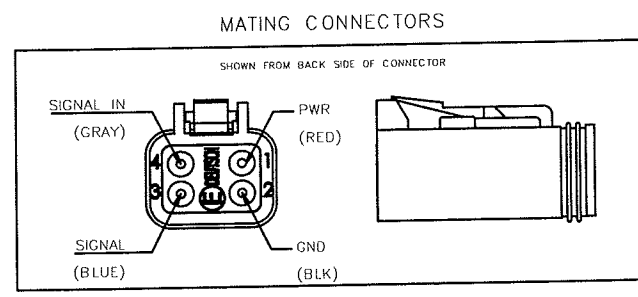
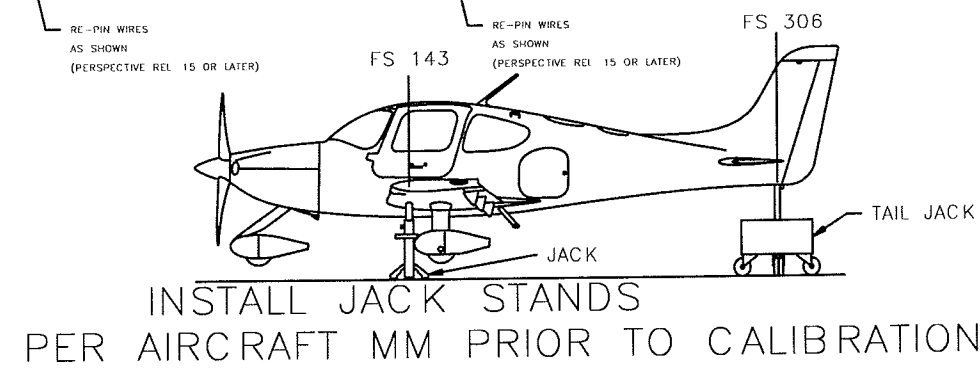
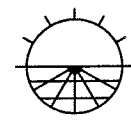
CIRRUS SR20/SR22 PERSPECTIVE AIRCRAFT

AEROSPACE LOGIC DISPLAY

REVISION HISTORY			
REV	DESCRIPTION	DATE	APPROVED
-	INITIAL RELEASE	-	SEE BELOW
A	UPDATED AERO SPACE LOGIC LIGHTING INPUT.	3/10/2017	DRAWN: A FACKRELL CHECKED: <i>[Signature]</i> APPROVED: <i>[Signature]</i>



NOTE:
 AIRCRAFT MUST REMAIN LEVEL DURING ENTIRE CALIBRATION PROCESS



CONTROLLED COPY

UNLESS OTHERWISE SPECIFIED DIMENSIONS ARE IN INCHES. DECIMALS ANGLES .001 .001 .001 .010 DO NOT SCALE DRAWING THIRD ANGLE PROJECTION	CONTRACT NO. APPROVALS DATE 8/16/2016 CHECKED ENGINEER APPROVED		1375 SE WILSON AVE. SUITE 150 BEND, OR 97702 WIRING INSTALLATION - CIRRUS SR20/SR22 PERSPECTIVE SIZE: 11x17 SCALE: NONE SHEET 1 OF 1
---	--	--	---

APPROVED MAR 11 2017