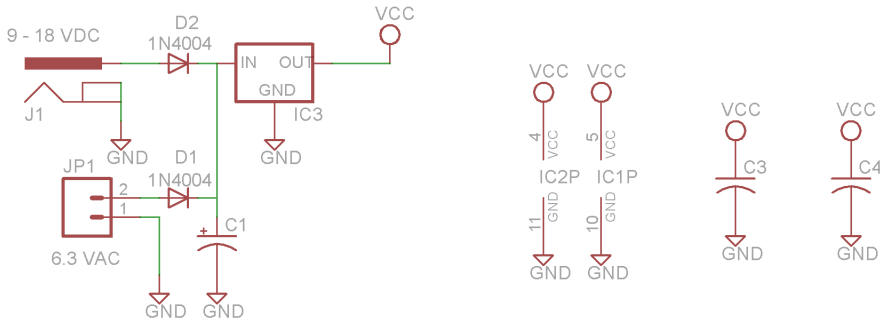


Power & decoupling



TITLE: Marker

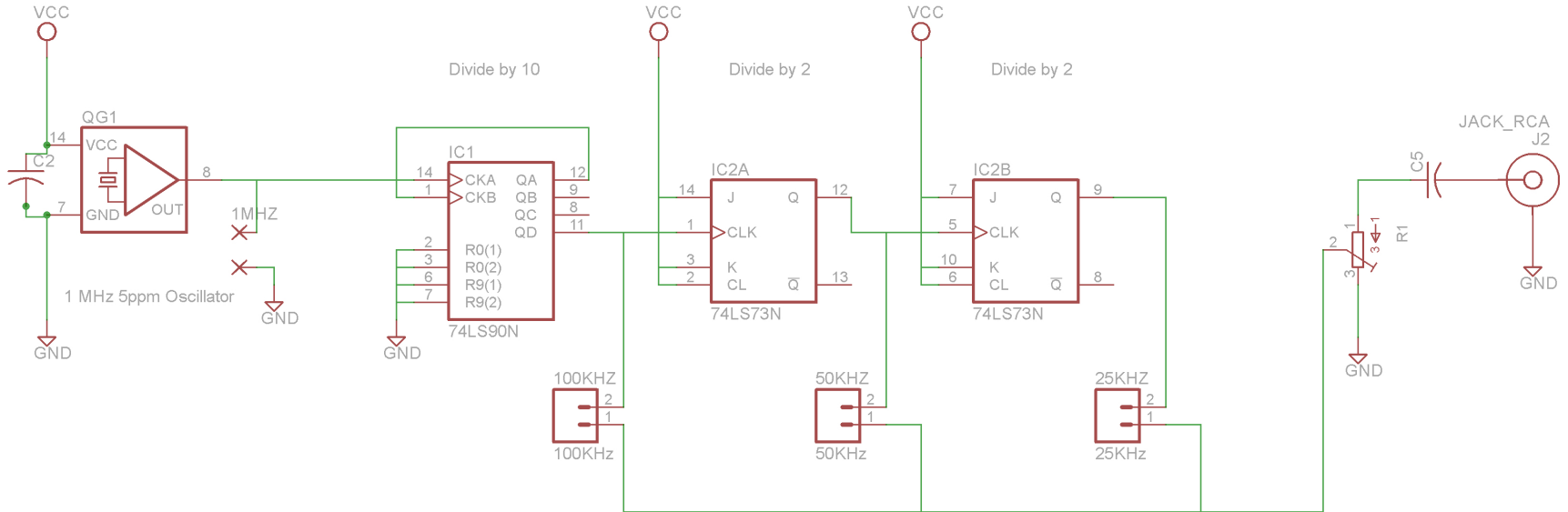
Document Number:

REV:

Date: 6/10/2015 3:05:40 PM

Sheet: 1/1

Drive Oscillator & Logic



All capacitors are 0.1uF, except C1 which is an electrolytic of min 470uF, IC3 is a 7805, R1 is a 1K trim pot