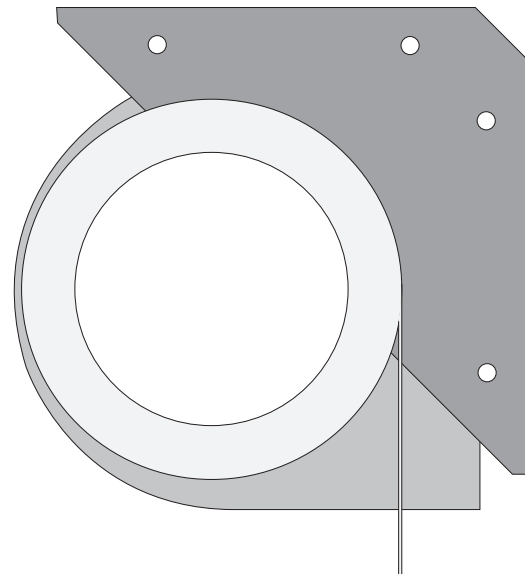


## Sivoia QS | roller 225

The Sivoia QS roller 225 shade utilizes the ultra-quiet, precision controlled Electronic Drive Unit (EDU). The Sivoia QS EDU is housed inside the roller shade assembly and controls the movement of the shade, keeps track of the shade's position, and adjusts the shade to the user's desired preset positions.

### Features

- Ultra-quiet operation: will not exceed 38 dBA measured 3 ft (1 m) from the EDU
- Shades move in perfect unison and exact alignment within 0.125 in (3 mm) accuracy at all times
- Smooth, silent starts, and stops
- Offers programmable stop points. The EDU tracks the position of the shade and is able to adjust it to predetermined locations at the touch of a button.
- Provides maximum window coverage with the smallest possible light gaps, 0.75 in (19 mm) between the shade fabric and the window frame. Light gaps are symmetrical on both sides of shade.
- Easy-to-read and easy-to-use controls are immediately understood
- Does not require group controls or relay systems to create shade groups and sub-groups
- 24 V<sub>DC</sub> low-voltage power
- Power failure memory for the lifetime of the product
- 8 year limited warranty



Sivoia QS roller 225 shade

## Specifications

### Power

- Operating voltage: Low-voltage Class 2, 24 V $\overline{=}$  power supply required
- Control system power supply offers (spike and brownout) overvoltage protection (+/- 10% of line voltage) for all devices in the system.
- Power supply provides appropriate Electro Static Discharge (ESD) protection for all devices in the system
- Power must be derived from a Lutron® approved NEC Class 2 powersource

### System Capacity

- System allows for a total of 100 devices, such as a Sivoia QS shade, a seeTouch® QS keypad, a GRAFIK Eye® QS, and QS power supplies.
- System allows for a total of 100 zones, including Sivoia QS shades and GRAFIK Eye QS.
- Maximum size of shade fabric per EDU is 225 sq ft (21 sq m)

### Performance

- System allows for symmetrical light gaps as small as 0.75 in (19 mm) on each side
- Each EDU stores presets positioned at any stop point along the shade's travel, as well as full open and full close shade limits
- Each EDU is capable of stopping with the accuracy of 0.125 in (3 mm) steps for the entire travel of the shade
- Preset points can be located at any point between the open/close limits and are adjustable with a 5 second button push and hold from the seeTouch QS keypads or GRAFIK Eye QS

- For systems with multiple EDUs, shades smoothly move in unison and exact alignment within 0.125 in (3 mm) accuracy at all times
- Limits are programmable and adjustable from the EDUs, wall-mounted seeTouch QS keypads and/or GRAFIK Eye QS

### Grouping

- System keypads can control any EDU, group, or subgroup without a separate group controller or additional interface.
- System groups and subgroups can be reconfigured at the point of control without rewiring and without access to the EDU.
- Controls within this system are able to operate any group or subgroup of EDUs, regardless of window treatment type.

### Integration

- EDUs seamlessly integrate with Lutron lighting control, GRAFIK Eye QS, without a separate interface
- Contact closure, RS232, and ethernet available to integrate with A/V equipment such as timeclocks and security systems.

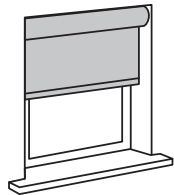
### Controls

- Sivoia QS shades can be controlled by built-in shade columns on a GRAFIK Eye QS, or by seeTouch QS keypads
- seeTouch QS keypads are low voltage
- Microprocessors are contained in the EDU, GRAFIK Eye QS, and seeTouch QS keypads, allowing high level programming from either source
- All Sivoia QS shades, GRAFIK Eye QS and seeTouch QS keypads are wired together on the same communications link

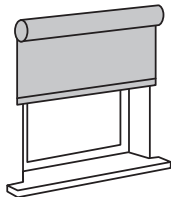
## Sivoia QS roller 225™ shade options

### Mounting options

Depending on window dimensions, brackets can be mounted inside the window frame, outside the window frame, or in a pocket.



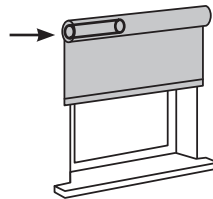
Inside mount



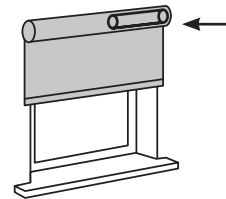
Outside mount

### Drive side options

EDU can be mounted on the left or right of the shade:

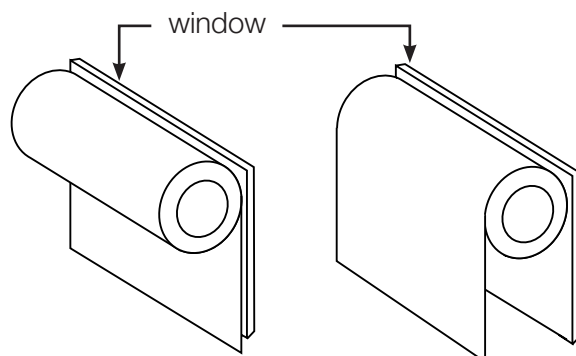


Left drive side



Right drive side

### Fabric drop options

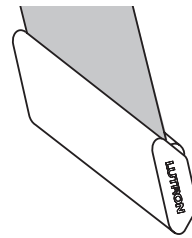


Regular roll

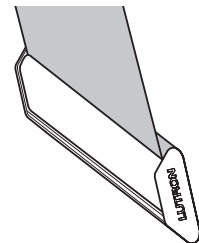
Reverse roll

### Bottom bar options

The bottom bar comes in two varieties:



Exposed bottom bar



Half-wrap bottom bar  
(reverse view shown)

Exposed available in:

- white
- bronze
- anodized
- custom color

Welded bottom bars also available.

### Fabric options

Sivoia QS Roller shades are available in a wide variety of fabric types including:

- Sheer – Filter sunlight, UV protection, view
- Privacy – Minimal translucence, UV protection
- Blackout – Total darkness, maximum UV protection, no view

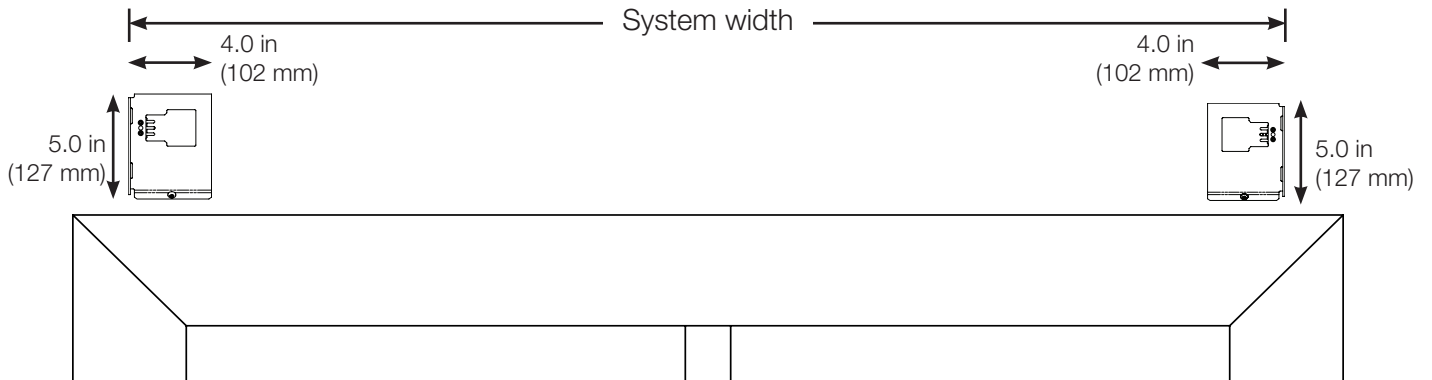
For complete fabric selection, visit [www.lutron.com](http://www.lutron.com)

## Sivoia QS roller 225 shades Product Specification

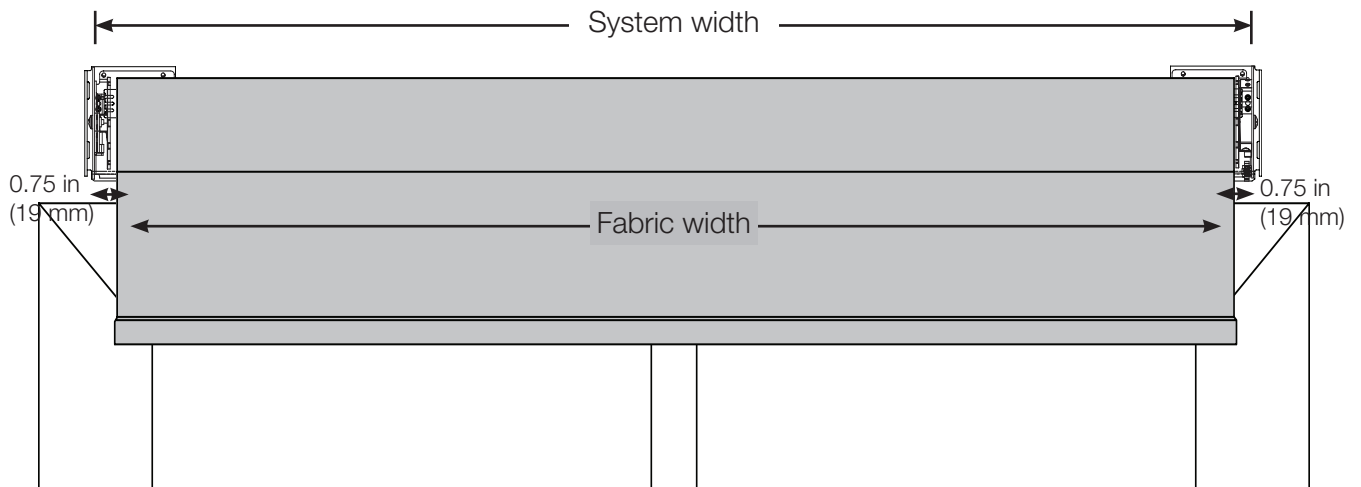
page 3 of 12

P/N 086-105 REV A

### Dimensions

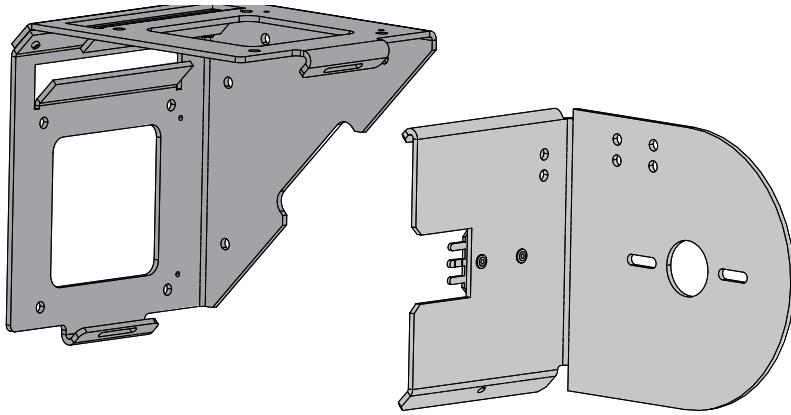


### Complete Assembly



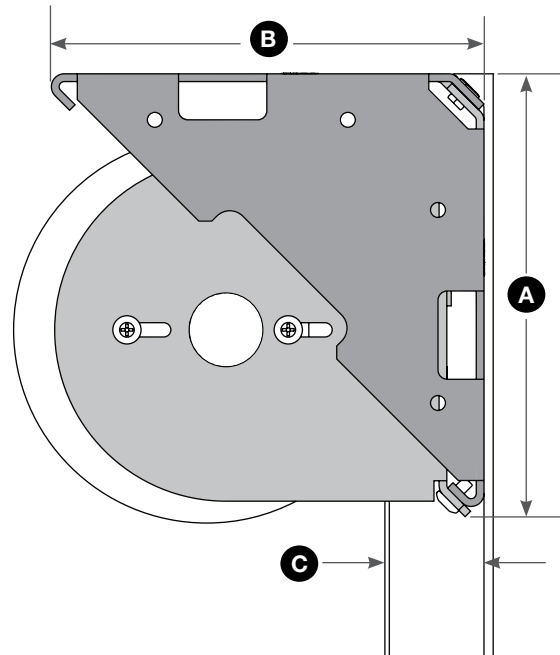
## Bracket

Sivoia QS roller 225 system employs unique brackets designed for larger systems.



### Dimensions

- A** 6 in (152 mm)
- B** 5.88 in (149 mm)
- C** 1.13 in (29 mm) maximum projection into room



## QS Link Wiring

### Link Rules

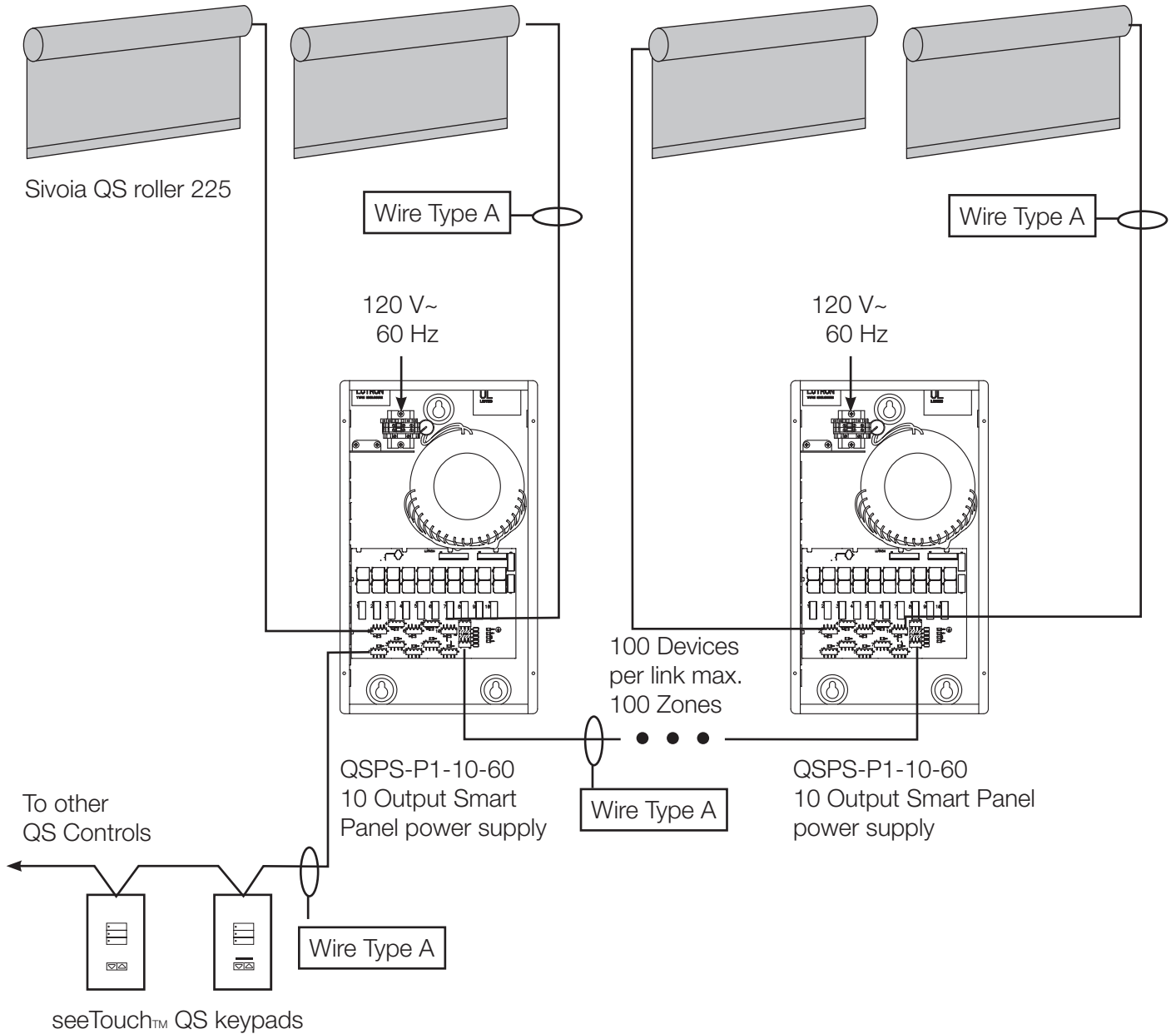
The following Link rules must be observed for proper operation.

- Maximum of 100 devices (such as a GRAFIK Eye® QS, seeTouch® QS keypad, smart panel power supply [QSPS-P1-10-60], or Sivoia® QS shade) per line
- Maximum of 100 zones - such as a Sivoia QS shade, or a lighting zone on a GRAFIK Eye QS
- Maximum 2000 ft (600 m) of cable connecting all QSPS-P1-10-60 panels
- Maximum 2000 ft (600 m) of cable to devices wired to each QSPS-P1-10-60
- Only use cable with at least one twisted/shielded pair for communications (MUX and  $\overline{\text{MUX}}$ )

## QS Smart Panel Power Supply Wiring Guide

| Maximum devices per one output   |                                   | Maximum distance per one output based on wire gauge |                                   |   |
|--|-----------------------------------|---|-----------------------------------|---|
| Shades + Controls  |                                   | #12 AWG<br>(4 mm <sup>2</sup> )                     | #16 AWG<br>(1.5 mm <sup>2</sup> ) | #18 AWG<br>(1 mm <sup>2</sup> )<br>GRX-CBL-346S-500 |
| None   | Up to 8<br>seeTouch QS<br>keypads | 1200 ft (350 m)                                     | 500 ft (150 m)                    | 300 ft (75 m)                                       |
| 1 Sivoia QS roller 64™,<br>roller 100, roller 200CW,<br>or roller 225™ | Up to 1<br>seeTouch QS<br>keypad  | 500 ft (150 m)                                      | 200 ft (60 m)                     | 125 ft (35 m)                                       |
| 2 Sivoia QS roller 64,<br>≤ 30 sq ft<br>(2.75 sq m) each               | None                              | 200 ft (60 m)                                       | 75 ft (20 m)                      | 50 ft (15 m)  |
| 3 Sivoia QS roller 64,<br>≤ 20 sq ft<br>(1.8 sq m) each                | None                              |   |                                   |   |
| 2 Sivoia QS roller 100,<br>≤ 50 sq ft<br>(4.6 sq m) each               | None                              |   |                                   |   |

### Sivoia QS System Wiring: Smart Panel power supply, single shade per output

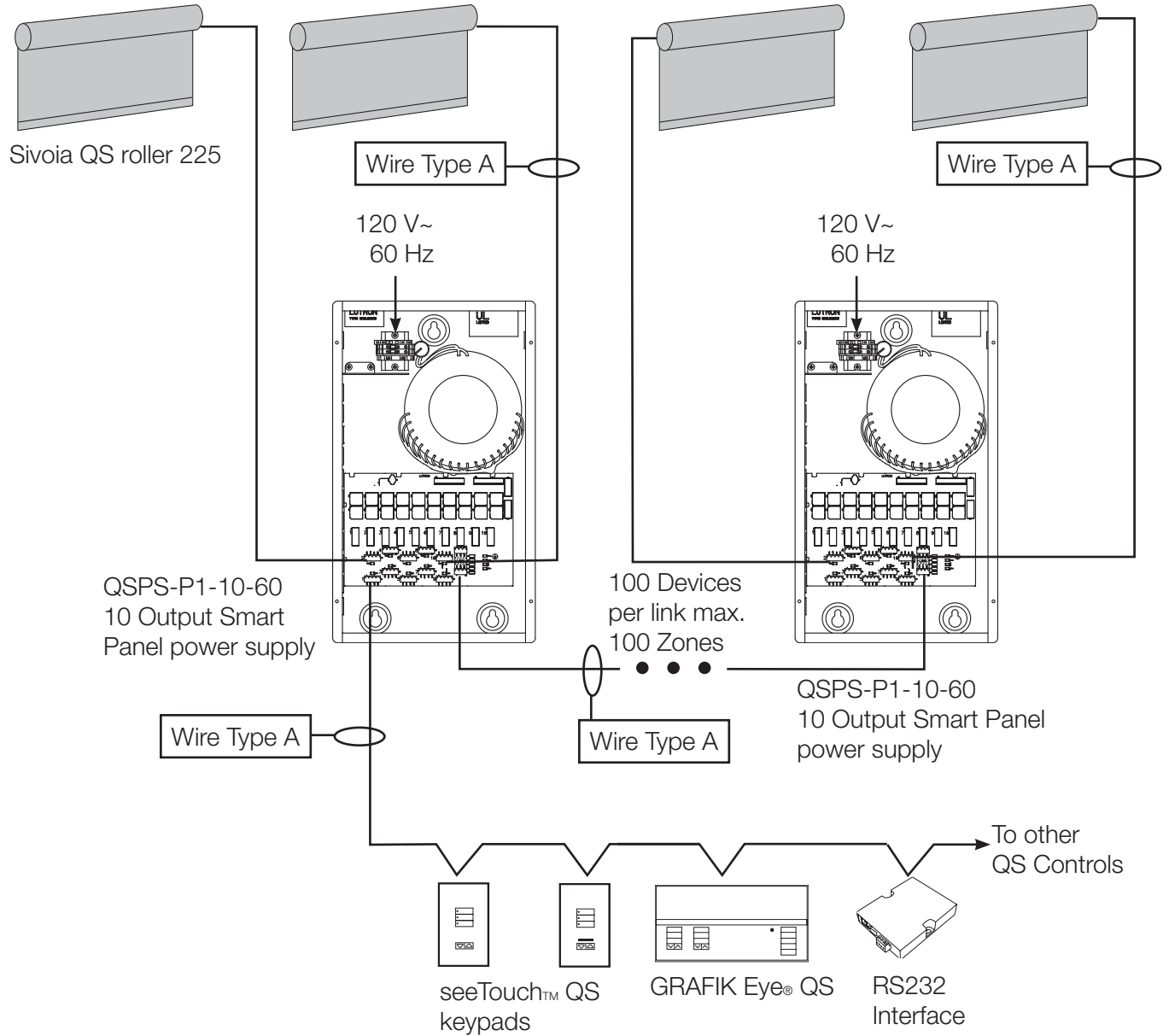


### Wiring Type Key

#### Type A

Communications Link: 4 Conductor (twisted and shielded), listed for application  
 Refer to wiring guide on pg. 6 for wire gauge based on distance  
 Maximum comm. link: – Up to 2000 ft (600 m) connecting  
 all QSPS-P1-10-60 panels

### Sivoia QS with GRAFIK Eye® QS System Wiring: Smart Panel power supply, single shade per output



### Wiring Type Key

#### Type A

Communications Link: 4 Conductor (twisted and shielded), listed for application  
Refer to wiring guide on pg. 6 for wire gauge based on distance  
Maximum comm. link: – Up to 2000 ft (600 m) connecting  
all QSPS-P1-10-60 panels



## Limited Warranty

### SCOPE

This limited warranty (“Warranty”) covers the Lutron supplied (a) Sivoia® QS Shade System (“Sivoia® QS Shade System”), (b) Sivoia QED® Shade System (“Sivoia QED® Shade System”), (c) manual shade system and (d) alternating current or a/c shade system (each of the foregoing being a “System”). Customer acknowledges and agrees that use of the System constitutes acceptance of all terms and conditions of this Warranty.

### LIMITED WARRANTY

Subject to the exclusions and restrictions described below, Lutron warrants that each System will be free from manufacturing defects from the date of shipment by Lutron for a period of (a) one year as to the wall controls, interfaces and system accessories of the Sivoia® QS Shade System (“External Sivoia® QS Components”) and (b) eight years as to the other Systems and the electronic drive unit, shade fabric and shade hardware of the Sivoia® QS Shade System. If any manufacturing defect exists in the External Sivoia® QS Components, so long as Customer promptly notifies Lutron of the defect within the one year warranty period and, if requested by Lutron, returns the defective part(s), Lutron will, at its option, either repair the defective part(s) or provide comparable replacement part(s). If any manufacturing defect exists in any of the components of a System other than the External Sivoia® QS Components, so long as Customer promptly notifies Lutron of the defect within the eight year warranty period and, if requested by Lutron, returns the defective part(s), Lutron will, at its option, either repair the defective part(s) or issue a credit to the Customer against the purchase price of comparable replacement part(s) purchased from Lutron as provided below:

Replacement parts for the System provided by Lutron or, at its sole discretion, an approved vendor may be new, used, repaired, reconditioned, and/or made by a different manufacturer.

| Number of years from date of shipment | Percentage of cost of replacement parts credited by Lutron |
|---------------------------------------|--|
| Up to 2                               | 100%   |
| More than 2 but not more than 5       | 50%  |
| More than 5 but not more than 8       | 25%  |
| More than 8                           | 0%   |

### EXCLUSIONS AND RESTRICTIONS

This Warranty will be void, and Lutron and its suppliers will have no responsibility under this Warranty, if Lutron or its representatives cannot access any components of the System to inspect, diagnose problems with or repair the System or any of its components as a result of concealment or inaccessibility of such components within a building structure.

This Warranty does not cover, and Lutron and its suppliers are not responsible for:

1. Damage, malfunction or inoperability diagnosed by Lutron or a Lutron approved third party as caused by normal wear and tear, abuse, misuse, incorrect installation, neglect, accident, interference or environmental factors, such as (a) use of incorrect line voltages fuses or circuit breakers; (b) failure to install, maintain and operate the System pursuant to the operating instructions provided by Lutron and the applicable provisions of the National Electrical Code and of the Safety Standards of Underwriter’s Laboratories; (c) use of incompatible devices or accessories; (d) improper or insufficient ventilation; (e) unauthorized repairs or adjustments or alterations; (f) vandalism; (g) an act of God, such as fire, lightning, flooding, tornado, earthquake, hurricane or other problems beyond Lutron’s control; or (h) direct exposure to corrosive materials.

## Limited Warranty (continued)

2. On-site labor costs to diagnose issues with, and remove, repair, replace, adjust, reinstall and/or reprogram the System or any of its components.
3. Components and equipment external to the System, such as, non-Lutron lighting and automation systems; building wiring audio-visual equipment; and non-Lutron time clocks, photosensors and motion detectors.
4. The cost of repairing or replacing other property that is damaged when any System does not work properly, even if the damage was caused by the System.

**THIS WARRANTY IS IN LIEU OF ALL OTHER EXPRESS WARRANTIES. ALL IMPLIED WARRANTIES, INCLUDING THE IMPLIED WARRANTIES OF MERCHANTABILITY AND OF FITNESS FOR A PARTICULAR PURPOSE, ARE LIMITED TO EIGHT YEARS FROM THE DATE OF SHIPMENT, EXCEPT THAT SUCH IMPLIED WARRANTIES ARE LIMITED TO ONE YEAR FROM THE DATE OF SHIPMENT AS TO THE EXTERNAL Sivoia QS COMPONENTS.**

**NO LUTRON AGENT, EMPLOYEE OR REPRESENTATIVE HAS ANY AUTHORITY TO BIND LUTRON TO ANY AFFIRMATION, REPRESENTATION OR WARRANTY CONCERNING THE SYSTEMS. UNLESS AN AFFIRMATION, REPRESENTATION OR WARRANTY MADE BY AN AGENT, EMPLOYEE OR REPRESENTATIVE IS SPECIFICALLY INCLUDED HEREIN, OR IN STANDARD PRINTED MATERIALS PROVIDED BY LUTRON, IT DOES NOT FORM A PART OF THE BASIS OF ANY BARGAIN BETWEEN LUTRON AND CUSTOMER AND WILL NOT IN ANY WAY BE ENFORCEABLE BY CUSTOMER.**

**IN NO EVENT WILL LUTRON OR ANY OTHER PARTY BE LIABLE FOR EXEMPLARY, CONSEQUENTIAL, INCIDENTAL OR SPECIAL DAMAGES (INCLUDING, BUT NOT LIMITED TO DAMAGES FOR PERSONAL INJURY, FAILURE TO MEET ANY DUTY, INCLUDING OF GOOD FAITH OR REASONABLE CARE, NEGLIGENCE, OR ANY OTHER LOSS WHATSOEVER), NOR FOR ANY REPAIR WORK UNDERTAKEN WITHOUT LUTRON'S PRIOR WRITTEN CONSENT ARISING OUT OF OR IN ANY WAY RELATED TO THE INSTALLATION, DEINSTALLATION, USE OF OR INABILITY TO USE THE SYSTEM OR OTHERWISE UNDER OR IN CONNECTION WITH ANY PROVISION OF THIS WARRANTY, EVEN IN THE EVENT OF THE FAULT, TORT (INCLUDING NEGLIGENCE), STRICT LIABILITY, BREACH OF CONTRACT OR BREACH OF WARRANTY OF LUTRON OR ANY OTHER PARTY, AND EVEN IF LUTRON OR SUCH OTHER PARTY WAS ADVISED OF THE POSSIBILITY OF SUCH DAMAGES.**

**NOTWITHSTANDING ANY DAMAGES THAT CUSTOMER MIGHT INCUR FOR ANY REASON WHATSOEVER (INCLUDING, WITHOUT LIMITATION, ALL DIRECT DAMAGES AND ALL DAMAGES LISTED ABOVE), THE ENTIRE LIABILITY OF LUTRON AND OF ALL OTHER PARTIES UNDER THIS WARRANTY ON ANY CLAIM FOR DAMAGES ARISING OUT OF OR IN CONNECTION WITH THE MANUFACTURE, SALE, INSTALLATION, DELIVERY, USE, REPAIR, OR REPLACEMENT OF THE SYSTEM, AND CUSTOMER'S SOLE REMEDY FOR THE FOREGOING, WILL BE LIMITED TO THE AMOUNT PAID BY CUSTOMER FOR THE SYSTEM. THE FOREGOING LIMITATIONS, EXCLUSIONS AND DISCLAIMERS WILL APPLY TO THE MAXIMUM EXTENT ALLOWED BY APPLICABLE LAW, EVEN IF ANY REMEDY**

---

## Limited Warranty (continued)

### **FAILS ITS ESSENTIAL PURPOSE.**

**THIS WARRANTY GIVES YOU SPECIFIC LEGAL RIGHTS. YOU MAY ALSO HAVE OTHER RIGHTS WHICH VARY FROM STATE TO STATE. SOME STATES DO NOT ALLOW LIMITATIONS ON HOW LONG AN IMPLIED WARRANTY LASTS OR THE EXCLUSION OR LIMITATION OF INCIDENTAL OR CONSEQUENTIAL DAMAGES, SO THE ABOVE LIMITATIONS OR EXCLUSIONS MAY NOT APPLY TO YOU.**

### **WARRANTY CLAIMS, TECHNICAL ASSISTANCE AND WARRANTY INFORMATION.**

Contact the Lutron Technical Support Center at the numbers provided below or your local Lutron sales representative with questions concerning the installation or operation of the System or this Warranty, or to make a warranty claim. Please provide the exact model number when calling.

U.S. and foreign patents pending.

Lutron, the Sunburst logo, and Sivoia QS are registered trademarks, and Sivoia QS and “Lighting Controls” are trademarks of Lutron Electronics Co., Inc.

## Technical Assistance

### WORLD

#### HEADQUARTERS

Lutron Electronics Co., Inc.  
7200 Suter Road  
Coopersburg, PA  
18036-1299 USA  
TEL: +1.610.282.3800  
FAX: +1.610.282.1243  
Technical support:  
1.800.523.9466  
or +1.610.282.6701  
Toll-free: 1.888.LUTRON1

### EUROPEAN

#### HEADQUARTERS

Lutron EA Ltd  
6 Sovereign Close  
London, E1W 3JF, UK  
TEL: +44.(0)20.7702.0657  
FAX: +44.(0)20.7480.6899  
Technical support:  
+44.(0)20.7680.4481  
FREEPHONE: 0800.282.107

### ASIAN

#### HEADQUARTERS

Lutron GL Ltd.  
15 Hoe Chiang Road  
#07-03  
Singapore 089316  
TEL: +65.6220.4666  
FAX: +65.6220.4333  
Technical support: 800.120.4491  
lutronsea@lutron.com

### CUSTOMER SERVICE/OR- DERING

UK +44.(0)20.7702.0657 –  
09.00 - 18.00 GMT  
USA +1.610.282.3800 –  
08.00 - 20.00 EST

### CUSTOMER SERVICE /E-MAIL

shadinginfo@lutron.com

### INTERNET:

www.lutron.com

### ADDITIONAL LUTRON SALES OFFICES:

#### Germany

TEL: +49.309.710.4590  
FAX: +49.309.710.4591  
FREEPHONE  
00800.5887.6635

#### France

Lutron Ltc, S.A.R.L.-Paris  
90 rue Villiers  
92300 Levallois Perret,  
France  
TEL: +33.1.41.05.42.80  
FAX: +33.1.41.05.01.80  
FREEPHONE: 0800.90.12.18  
lutronfrance@lutron.com

#### Spain-Madrid

TEL: +34.91.567.84.79  
FAX: +34.91.567.84.78  
FREEPHONE 0900.948.944

#### Spain-Barcelona

TEL: +34.93.496.57.42  
FAX: +34.93.496.57.50  
FREEPHONE 0900.948.944

#### Hong Kong

TEL: +852.2104.7733  
FAX: +852.2104.7633

#### Beijing

TEL: +86.10.5877.1817  
FAX: +86.10.5877.1816

#### Singapore

LUTRON GL Ltd. -  
Singapore  
15 Hoe Chiang Road  
#7-03 Tower 15  
Singapore 089316  
TEL: +65.6220.4666  
FAX: +65.6220.4333

#### Japan

TEL: +81.3.5575.8411  
FAX: +81.3.5575.8420

www.lutron.com/shadingsolutions

USA and Canada (24 hrs/7days):  
call: 800.523.9466

Other countries (8 a.m. – 8 p.m. ET)  
call: +1.610.282.3800  
fax: +1.610.282.3090

email: shadinginfo@lutron.com

## Shades Customer Service

USA and Canada (24 hrs/7days):  
call: 800.446.1503

©2012 LUTRON Electronics Co., Inc.  
Printed in the U.S.A.

Sivoia QS roller 225  
Specification Submittal sheet