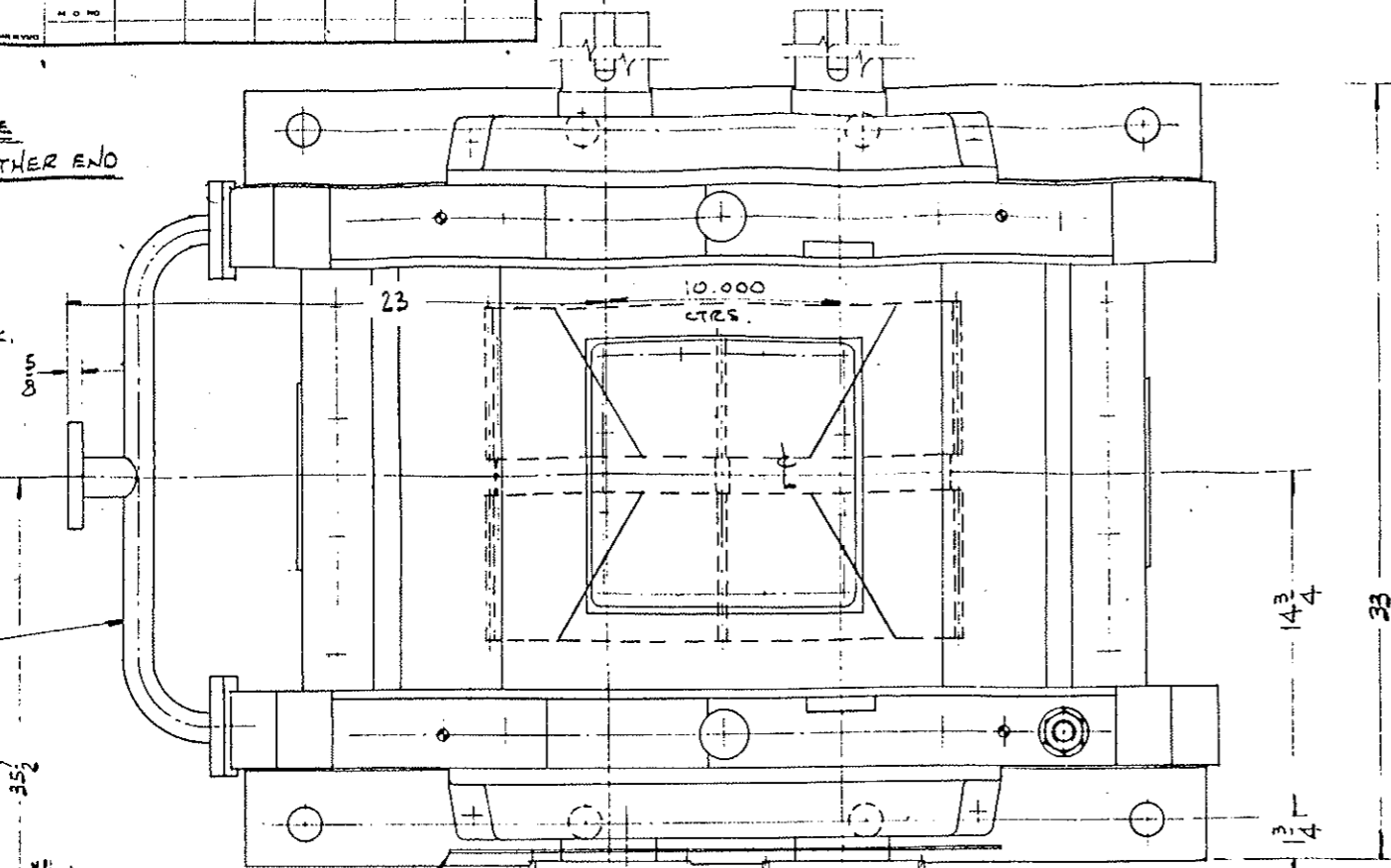
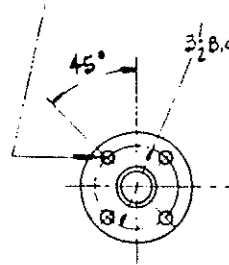


101301

OIL INLET - MAY BE MOUNTED ON EITHER END
4 HOLES 5/8 DIA.
EQUALLY SPACED

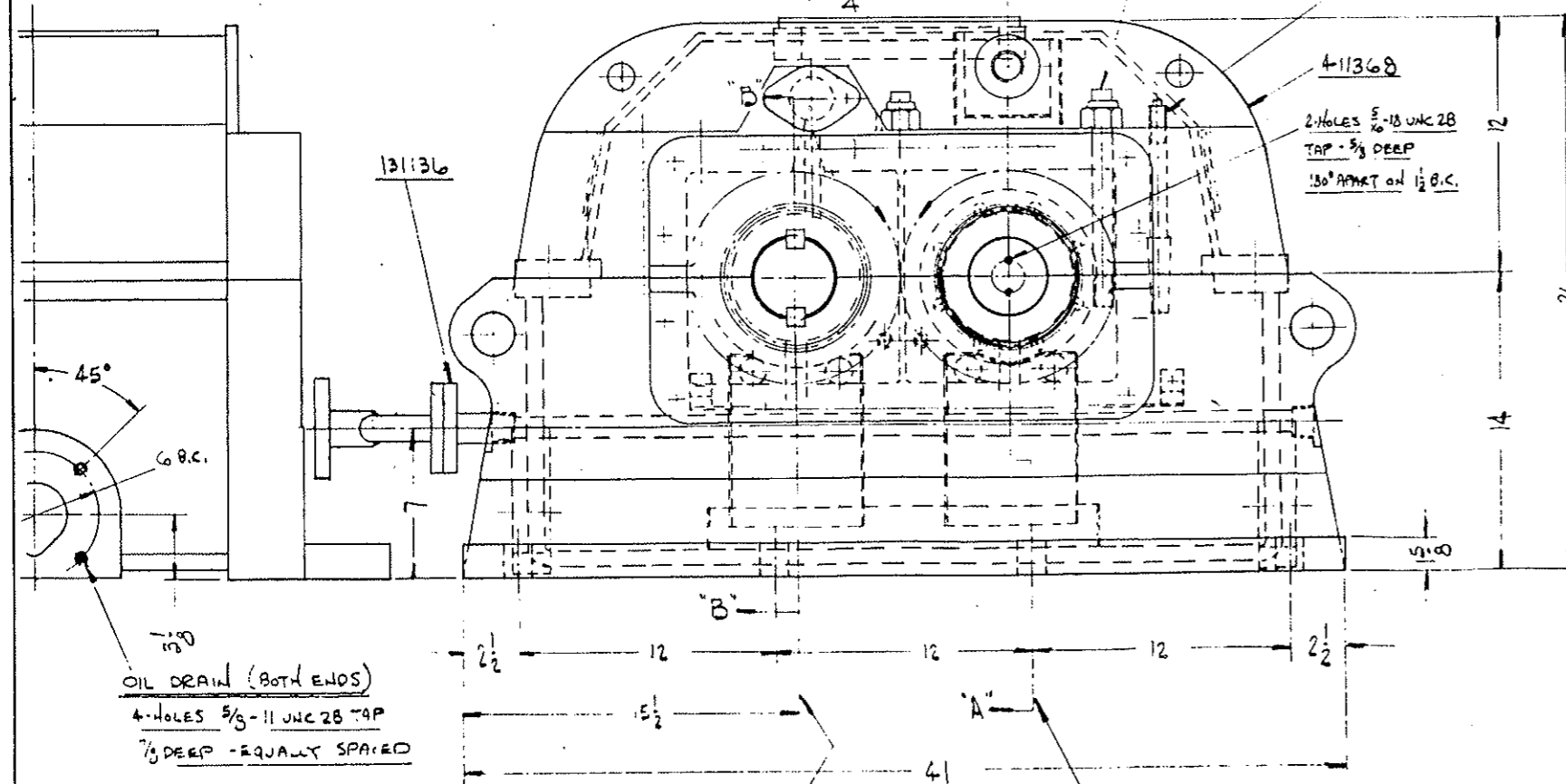


SPRAT PIPE REMOVAL

31915

1" x 10/8 STUD
905285 NUT

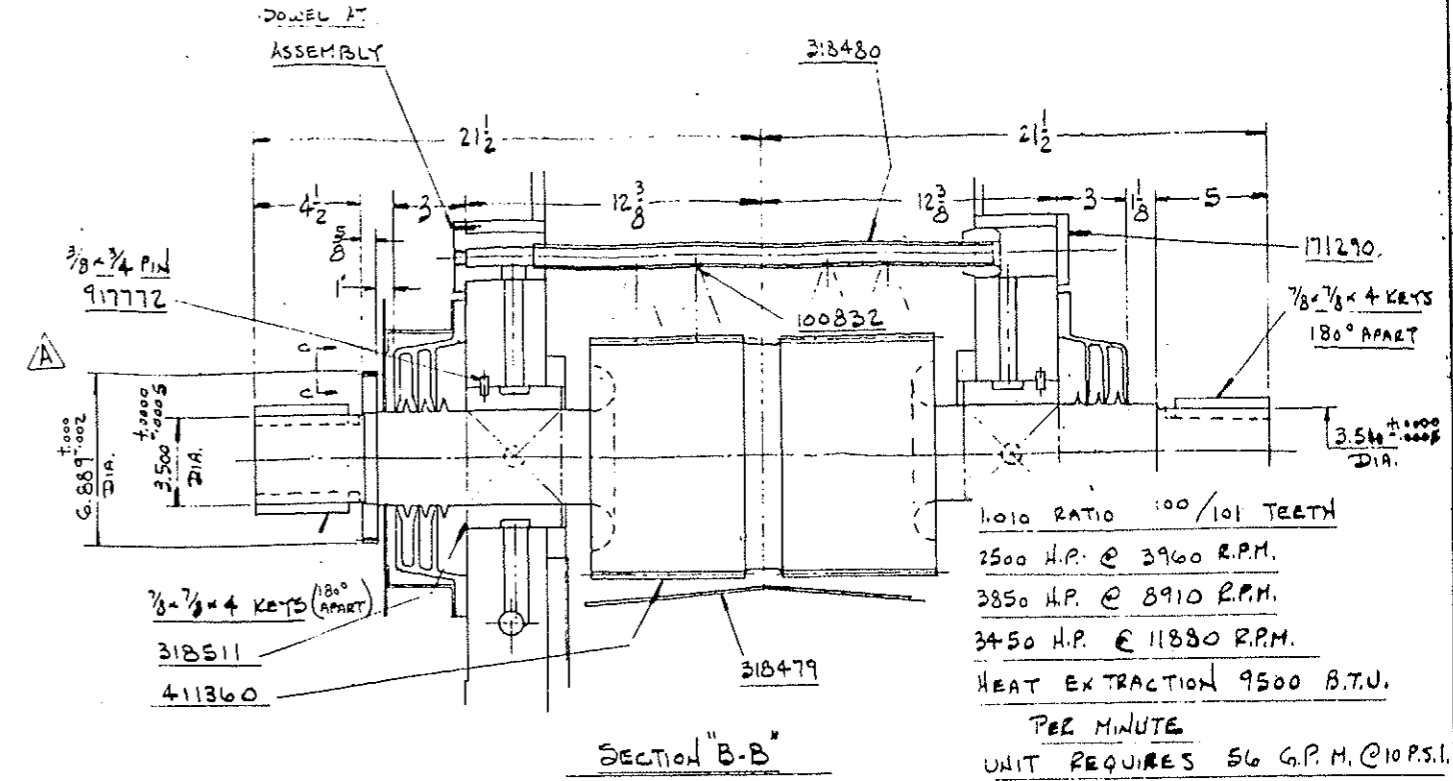
171158



OIL DRAIN (BOTH ENDS)
4 HOLES 5/8-11 UNC 2B TAP
3/8 DEEP - EQUALLY SPACED

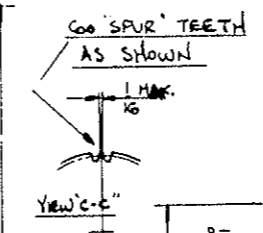
411301

DOWEL PIN ASSEMBLY



SECTION "B-B"

171159
SHIM TO PROVIDE
.015 TO .020 AXIAL
CLEARANCE



231729
411362
318481
411369

8 HOLES 3/8 DIA. FOR
1/4 FOUNDATION BOLTS

SECTION "A-A"

NO.	REV.	DESCRIPTION	DATE	BY	CHKD.
1		START DIA. WAS 3/4 IN. CALCULATED GEAR ON PIN BE ADDED	5/10/54	SW	SW
2					
3					
4					
5					
6					
7					
8					
9					
10					
11					
12					
13					
14					
15					
16					

FRACTIONAL MAKING DIMENSIONS SHALL BE HELD TO A TOLERANCE OF .001 UNLESS OTHERWISE SPECIFIED. THIS DRAWING IS LOANED WITH THE UNDERSTANDING THAT IT MUST NOT BE REPRODUCED OR COPIED. IT IS SUBJECT TO RETURN UPON DEMAND.

THE FALK CORP.
MILWAUKEE, WISCONSIN

DESCRIPTION: 10.000 x 14 1/4
UNIT: GEAR UNIT

DATE: 1-4-54
CHECKED: SW
DATE: 5-10-54
SCALE: 3/4" = 1"

DRAWING NO. 411301



MICROFILMED