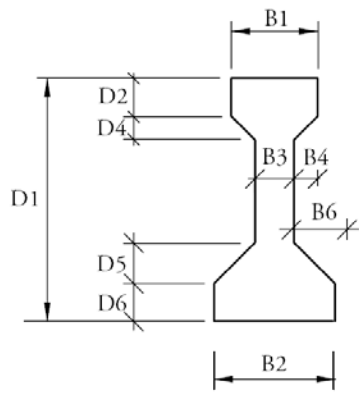
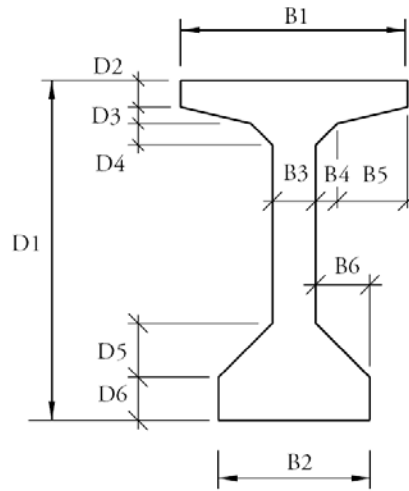


**AASHTO I-Beams**



Type I-IV



Type V-VI

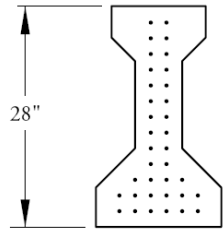
**Dimensions (inches)**

Type	D1	D2	D3	D4	D5	D6	B1	B2	B3	B4	B5	B6
I	28	4	0	3	5	5	12	16	6	3	0	5
II	36	6	0	3	6	6	12	18	6	3	0	6
III	45	7	0	4.5	7.5	7	16	22	7	4.5	0	7.5
IV	54	8	0	6	9	8	20	26	8	6	0	9
V	63	5	3	4	10	8	42	28	8	4	13	10
VI	72	5	3	4	10	8	42	28	8	4	13	10

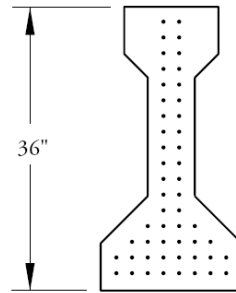
**Properties:**

Type	Area in. <sup>2</sup>	y <sub>bottom</sub> in.	Inertia in. <sup>4</sup>	Weight kip/ft
I	276	12.59	22,750	0.287
II	369	15.83	50,980	0.384
III	560	20.27	125,390	0.583
IV	789	24.73	260,730	0.822
V	1,013	31.96	521,180	1.055
VI	1,085	36.38	733,320	1.13

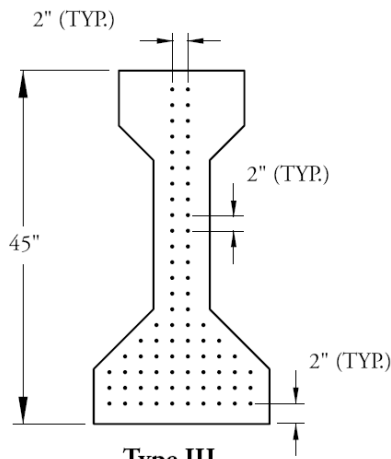
**AASHTO I-Beams**



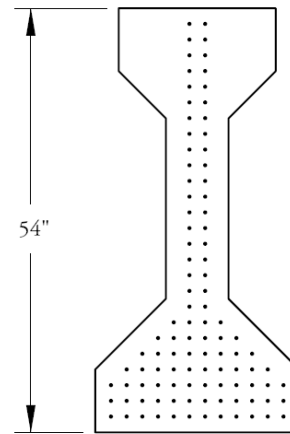
**Type I**



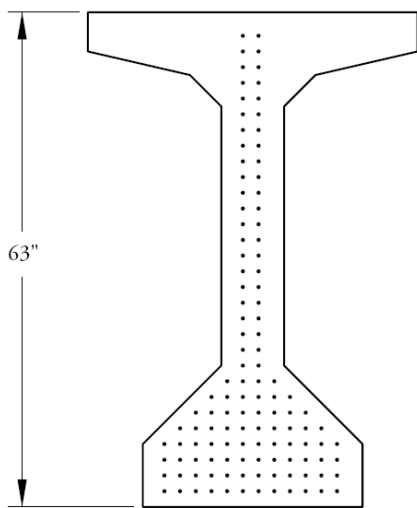
**Type II**



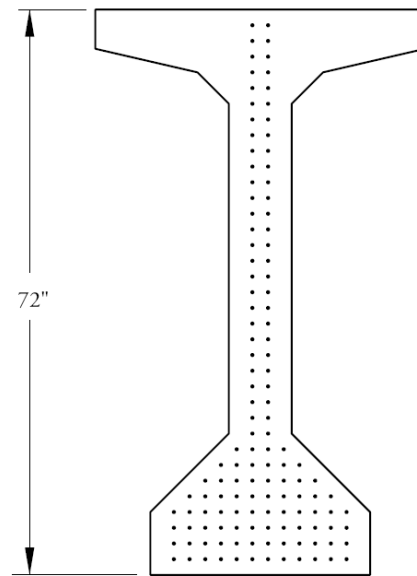
**Type III**



**Type IV**



**Type V**



**Type VI**