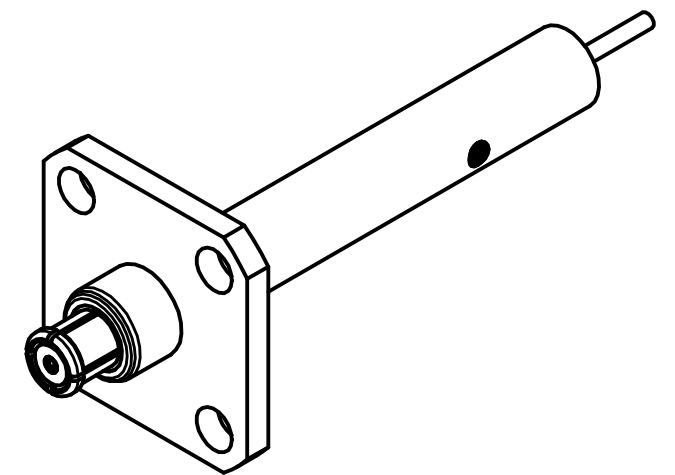
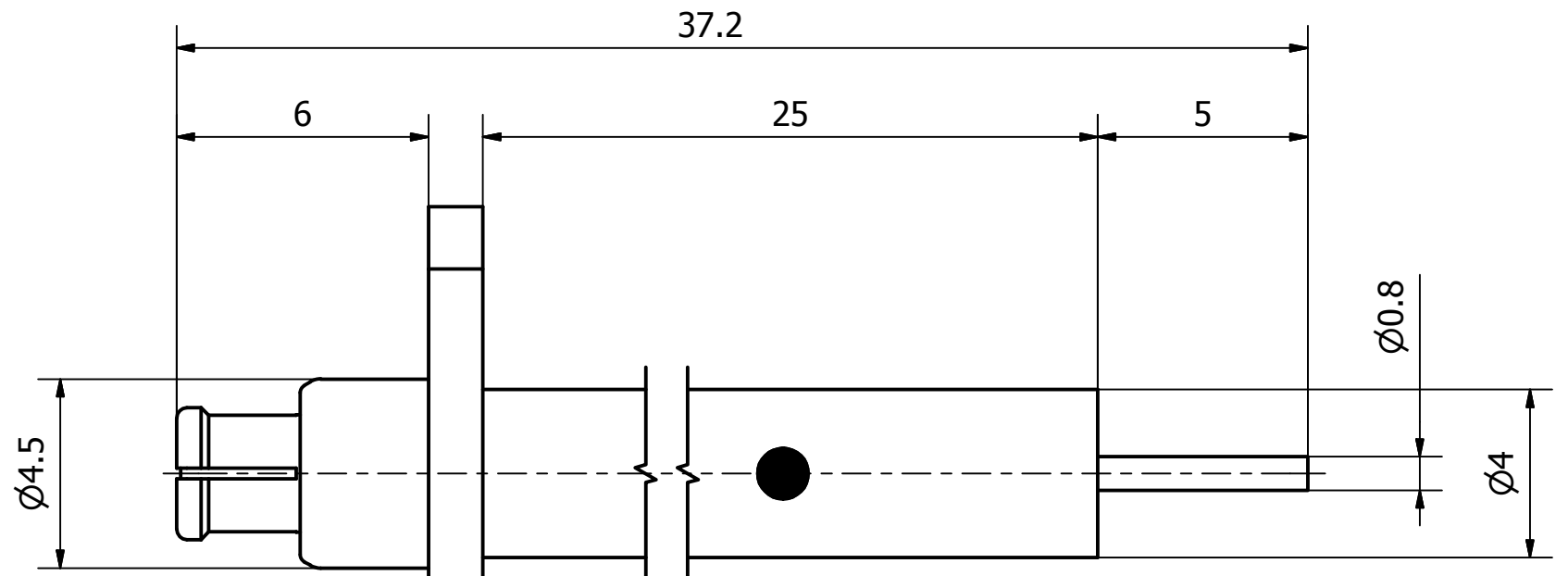
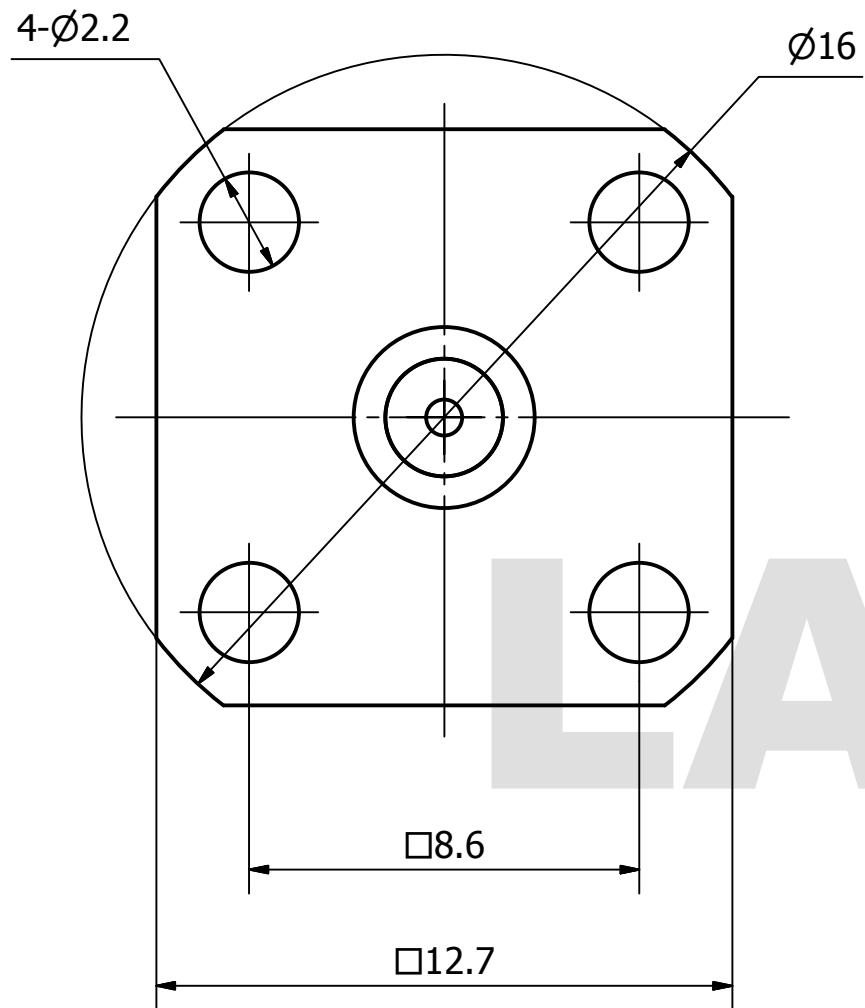


PRODUCT DATA SHEET



MATERIAL:
BODY: BRASS PER ASTM B16.
 ALLOY NO. UNS C36000
CONTACT: BERYLLIUM COPPER PER ASTM B196.
 ALLOY NO. UNS C17300
INSULATOR: PTFE PER ASTM D1710

PERFORMANCE:
IMPEDANCE: 50 OHMS
FREQUENCY: DC TO 6 GHz
VSWR: ≤ 1.30

THIS DOCUMENT CONTAINS CONFIDENTIAL AND PROPRIETARY INFORMATION THAT CANNOT BE REPRODUCED OR DIVULGED, IN WHOLE OR IN PART, WITHOUT WRITTEN AUTHORIZATION FROM "LANJIAN ELECTRONICS"	MATERIAL :			LANJIAN ELECTRONICS 38 Hengtong Road, Xinqu Dingmao Zhenjiang, 212009, Jiangsu, P. R. China	
	UNLESS OTHERWISE SPECIFIED: DIMENSIONS IN MM				
	TOLERANCES :				
	X.X	± 0.20	ANGULAR : $\pm 1^\circ$	DEBURR AND BREAK SHARP EDGES	
	X.XX	± 0.10	FILLETS R/C : ± 0.10		
	X.XXX	± 0.01	SURFACE FINISH : Ra 1.6		
		NAME	DATE	SIGNATURE	TITLE SMP-KFD13 straight connector
	DRAWN				
	CHK'D				
	APPV'D				
MFG					
	PROJECTION	SIZE	SCALE	DWG No.	REV.
		A3	6: 1	GCPZ3.660.G.013	
				DO NOT SCALE THE DRAWING	PAGE 1 / 1