

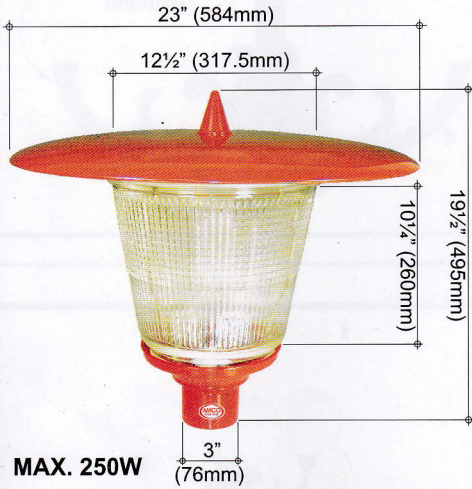
AMCO PARK LAMP, POST AND BASE



MODEL NO.

D - 417 - B

D - 418 - B



MODEL NO.

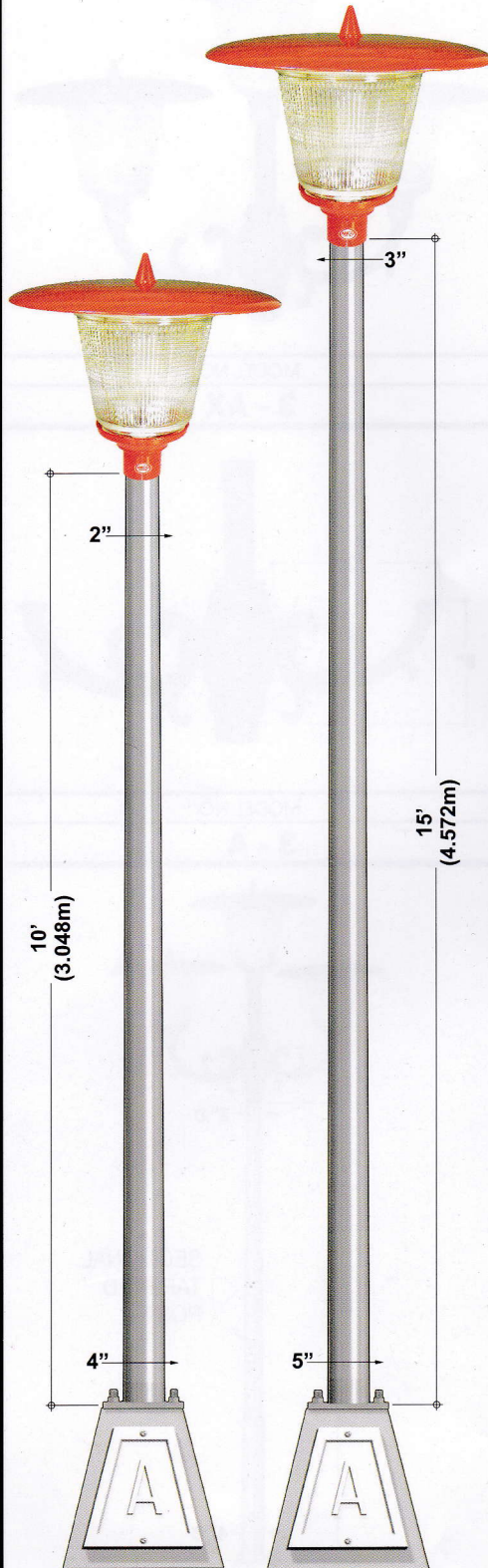
D - 417 - C



MODEL NO.

D - 418 - P4 - 15

D - 417 - P4 - 15

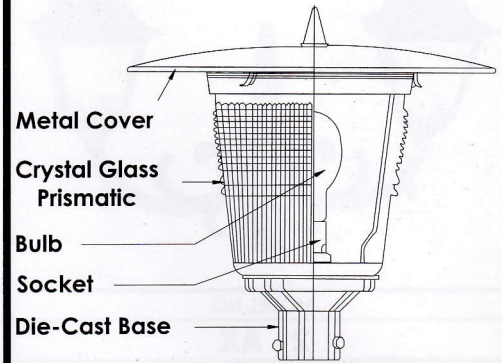


MODEL NO.

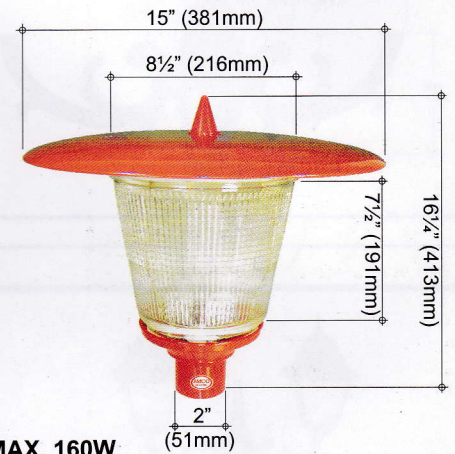
D - 418 - PT - 10

D - 417 - PT - 15

DETAILS:



MAX. 250W



MAX. 160W

MODEL NO.

D - 418 - C



MODEL NO.

D - 418 - P5 - 15

D - 417 - P5 - 15