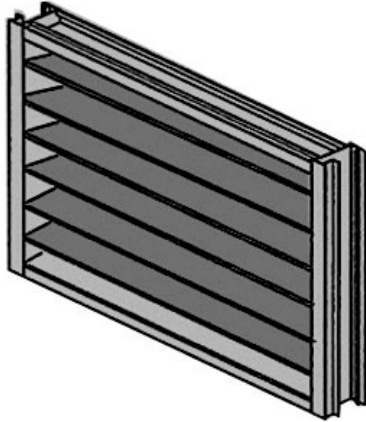




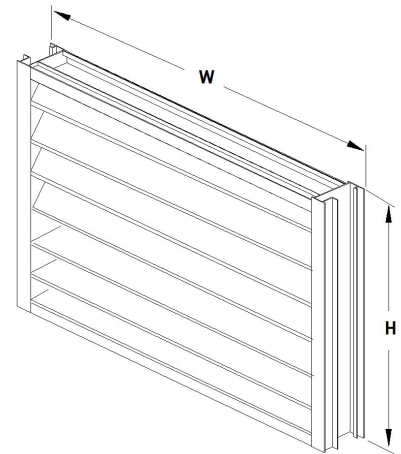
EXTRUDED ALUMINUM LOUVER

MODEL: 4-SRCF COMBO COMBINATION INTAKE/EXHAUST



APPLICATION

The 4-SRCF COMBO Stationary Louver with Channel Frame is a 4" deep louver for protection of higher air intake velocities and exhaust in building exterior walls. The louver structure incorporates stationary 36° and 90° blades. The 4-SRCF COMBO is a capable louver with AMCA STD 500 Performance Data allowing designers to select.



SPECIFICATIONS

Frame:	0.081 thick extruded aluminum 6063-T5 mill finish
Blade:	0.081 thick extruded aluminum 6063-T5 mill finish
Blade Spacing:	Approximately 3-1/4" center to center (except at head and sills)
Fasteners:	10" x 3/4" tek screws
Blade Angle:	36° and 90°
Min. Height:	8"
Max. Single Sec.:	Consult factory for maximum size
Screen:	Bird screen 1/2" x 1/2" galvanized steel

OPTIONS

Insect Screen 18" x 16" mesh aluminum
Bird Screen 1/2" x 1/2" aluminum

Finish: Clear Anodized
Color Anodized
Powder Coat Paint
Baked Enamel Paint

