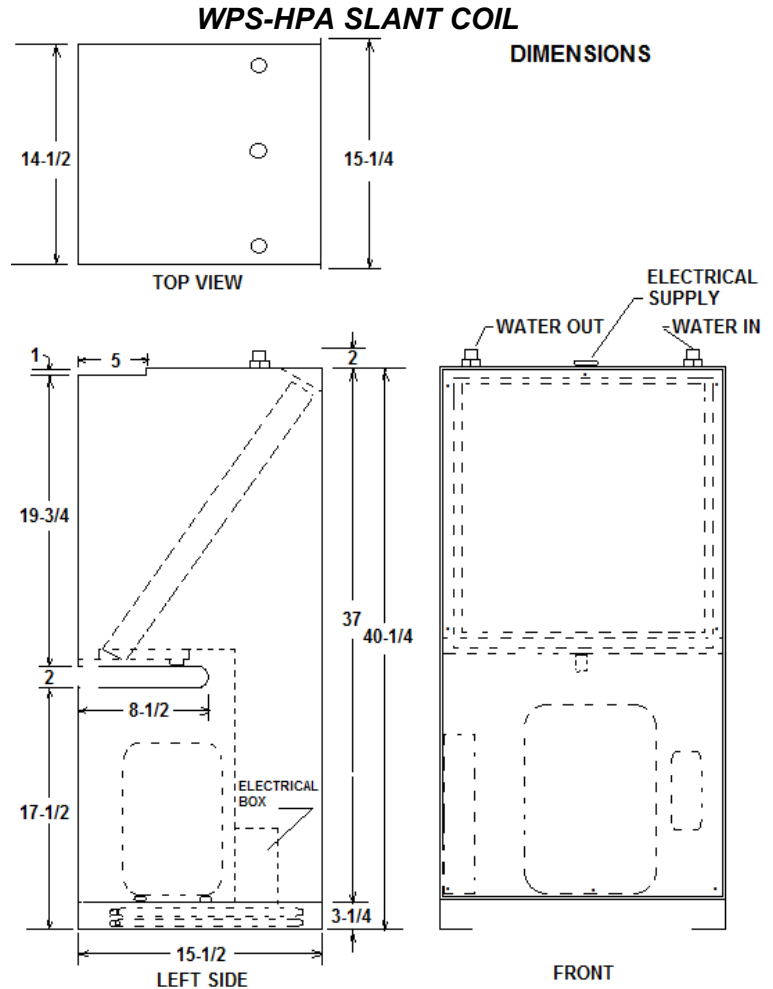
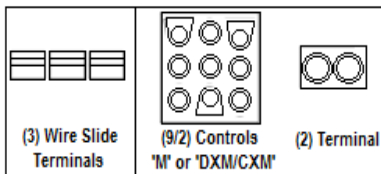


Climate Master 816-10,816-12,816-15 Slant Coil Series

GENERAL PRODUCT SPECIFICATIONS			
Model Number	WPS10-HPA	WPS12-HPA	WPS15-HPA
Nominal Cooling (tons)	0.83	1.00	1.25
COOLING CYCLE			
Total BTUH	10,150	12,100	15,400
HEATING CYCLE			
Total Heating	12,000	16,000	18,000
COMPRESSOR TYPE	Rotary	Rotary	Scroll
Refrigerant R410a (oz)	26	26	26
CONDENSER COIL Coaxial Tube in Tube			
Gallons Per Minute	2.5	3.0	3.7
Water In Connection	1/2"	1/2"	1/2"
Water Out Connection	1/2"	1/2"	1/2"
Condensate Connection (Pipe)	3/4"	3/4"	3/4"
EVAPORATOR COIL - TYPE Copper Tube – Aluminum Fins			
Refrigerant Control	TXV	TXV	TXV



Electrical Connections Available



Important:

Chassis performance is based on maintaining proper air flow. Assessment of the blower and the motor is essential. Repair or replacement of the blower section must be done on each installation.

ELECTRICAL DATA						
Model No.	Electrical	Compressor		Unit Total	Min. Circuit	Maximum Fuse
		RLA	LRA			
WPS10-1HPA	208/230/60/1	3.7	22	3.7	4.6	15
WPS10-2HPA	265/277/60/1	3.5	22	3.5	4.4	15
WPS12-1HPA	208/230/60/1	4.7	25	4.7	5.8	15
WPS12-2HPA	265/277/60/1	4.2	22	4.2	5.3	15
WPS15-1HPA	208/230/60/1	5.6	29	5.6	7.0	15
WPS15-2HPA	265/277/60/1	5.0	28	5.0	6.2	15

Note: Due to on-going research and development, product specifications may change without notice.

