



ATX GRIP TITAN Remote Stabilized Head

Austin Office:
9201 Brown Ln Suite 290
Austin, Tx 78754
Austin Office Phone:
512-537-4201
832-651-3053
Austin Office Email:
Rentals@atxgrip.com

**3 Axis Gyro Stabilization
(Pan, Tilt, Roll)**

48v Slotless Motors

Fiber Optic Gyro

**Wireless Control (Up To 1.8 Miles)
Titan Controller (Joystick, Single or Dual)
3 Axis Handwheels**

Shaky Cam Setting Available For All Controls

Construction: 6061-T6 Aluminum chassis

Maximum operational speed: 100+mph

Max motor torque: 18Nm

Max pan speed: 360°/sec

Maximum Payload Capacity: 90lbs/41kg

70lbs/32kg recommended for dynamic tracking

Dry Weight: 44lbs/20kg

Weather rating: IP65 (water resistant)

Temperature rating: -30°F - 120°F

Gimbal Mounting: Mitchell mount adapter

Payload mounting: Arri dovetail

System Voltage: 48V (42-52VDC)

Comms: CAN-BUS, hardwired + 2.4Ghz wireless

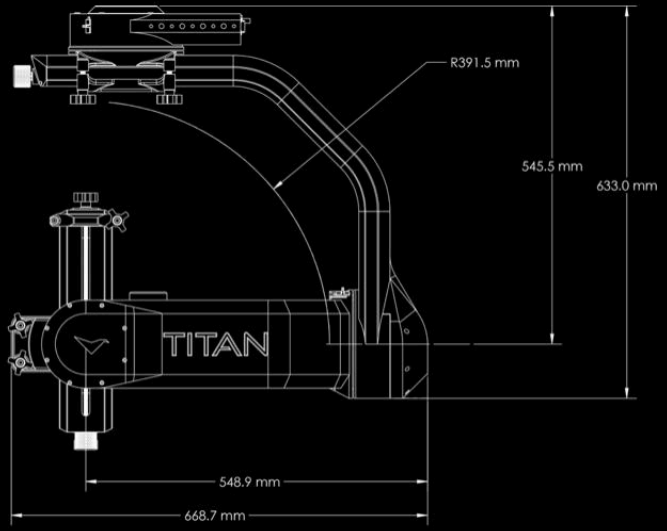
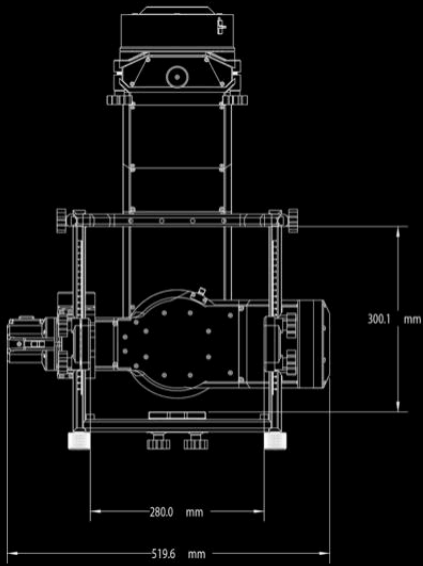
Long range radio: 900Mhz/868mhz for EU

Power output: 3x 14.4V Dtap (125W) + 1x 24V 3-Pin XLR (125W), 250W combined

Lens Driver: 3-channel, digital 7-pin LEMO

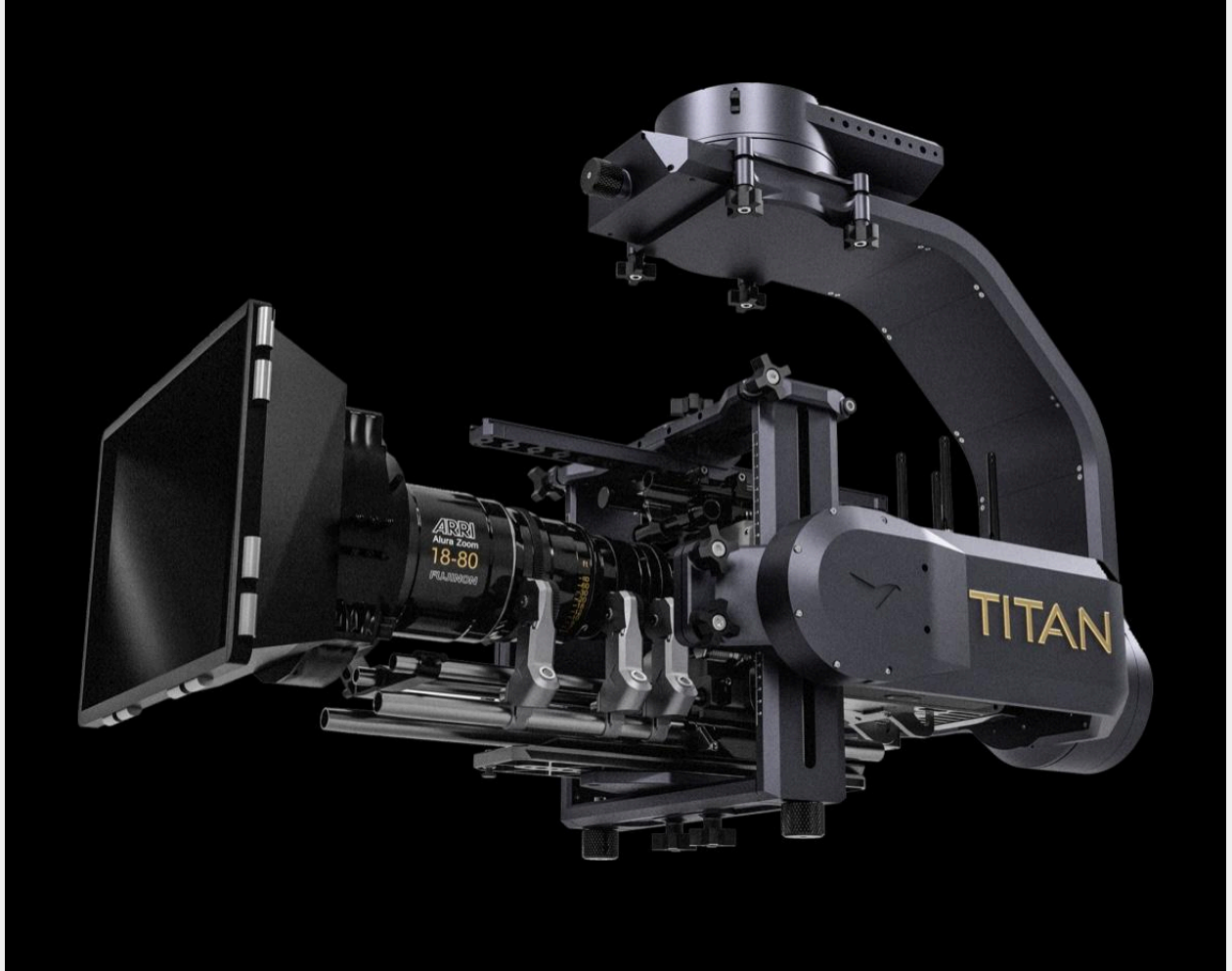
TITAN holds strong in any setting. Underslung, Overslung, on Blackarm, Fixed Arm Jibs, Technocrane, Hydrascope, Scorpio, MovieBird, Camera Car's, Electric Tracking Vehicle's, Dolly, Slider, MOCO .





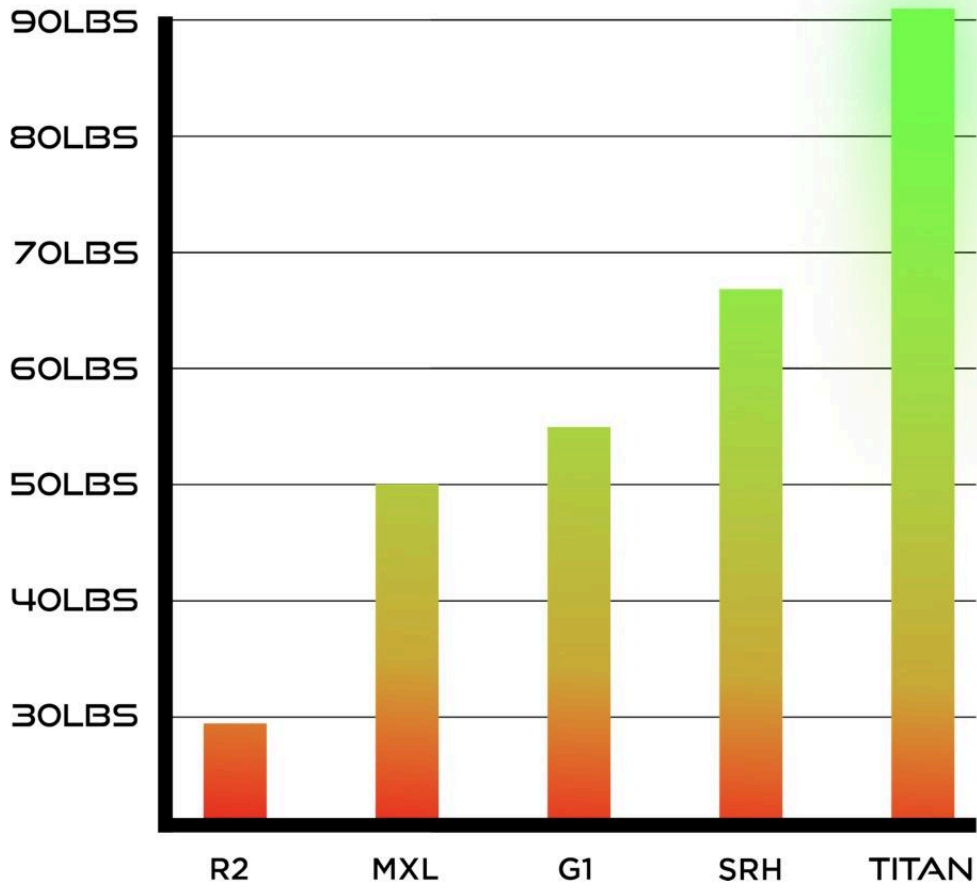






**The future is
slotless**

MAX PAYLOAD



POWER

With a massive 152mm/6in diameter, these 48V motors are also the most powerful to ever be used in a cinema gimbal. TITAN produces peak power figures in excess of **3000W**.

