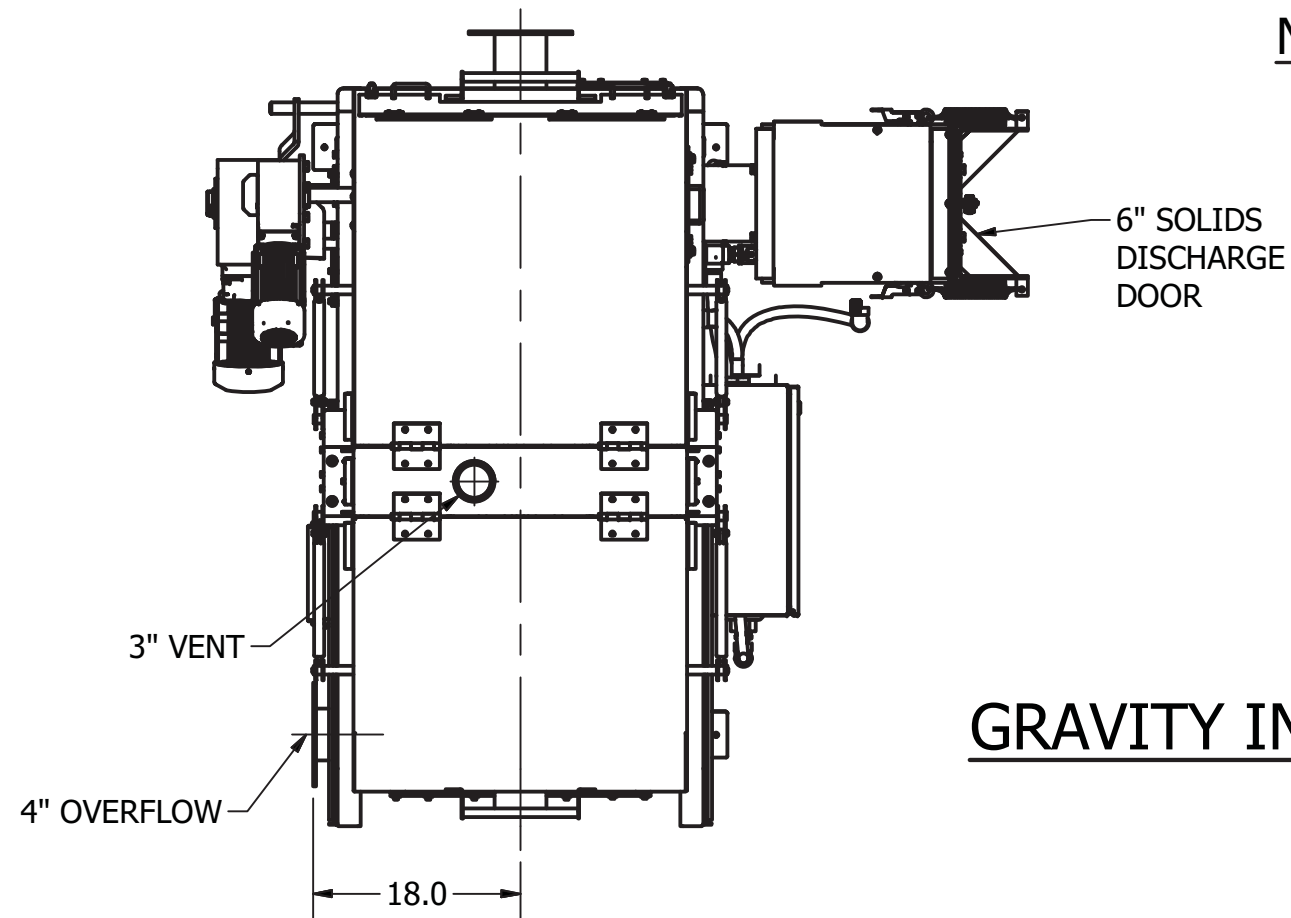
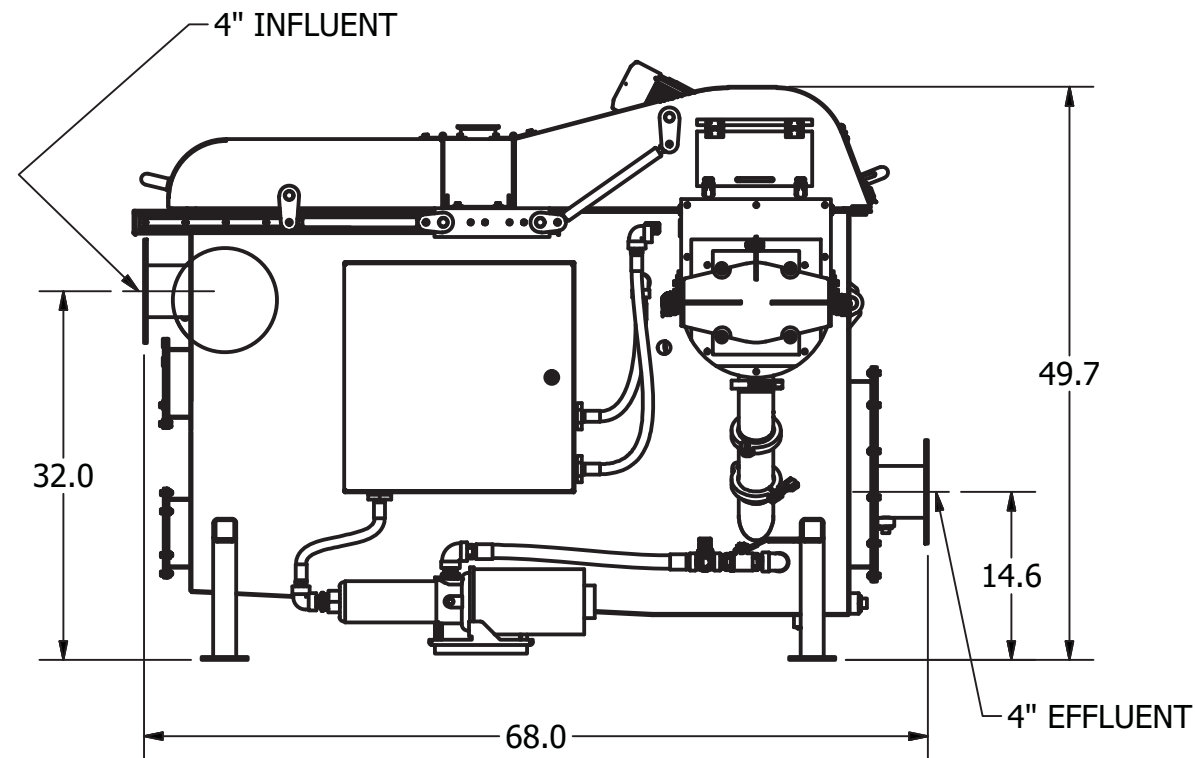
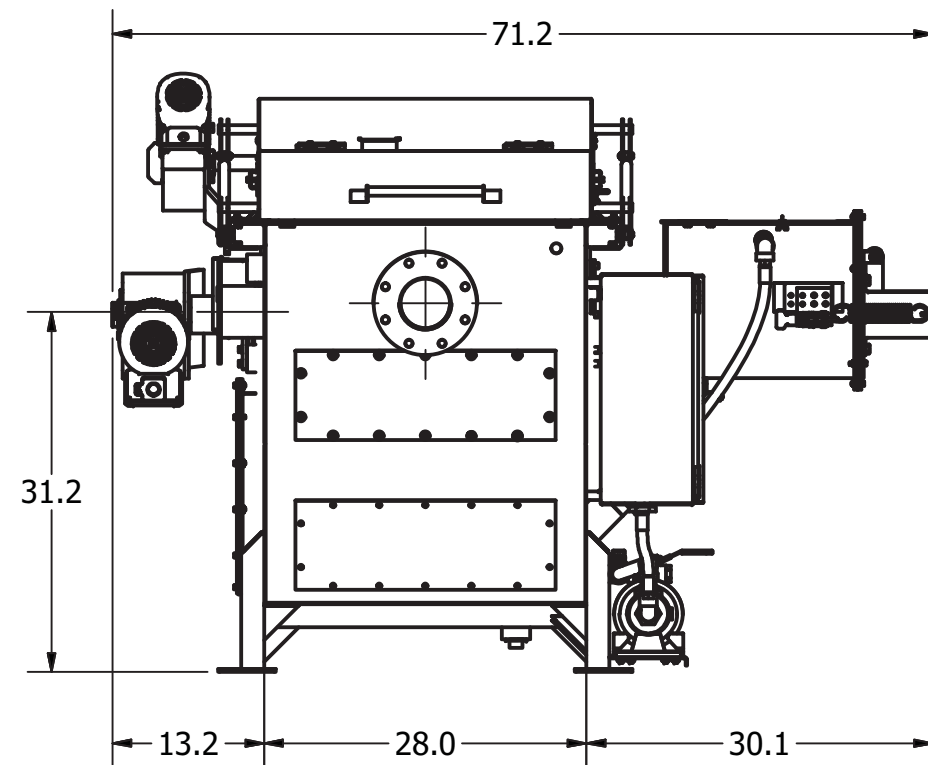
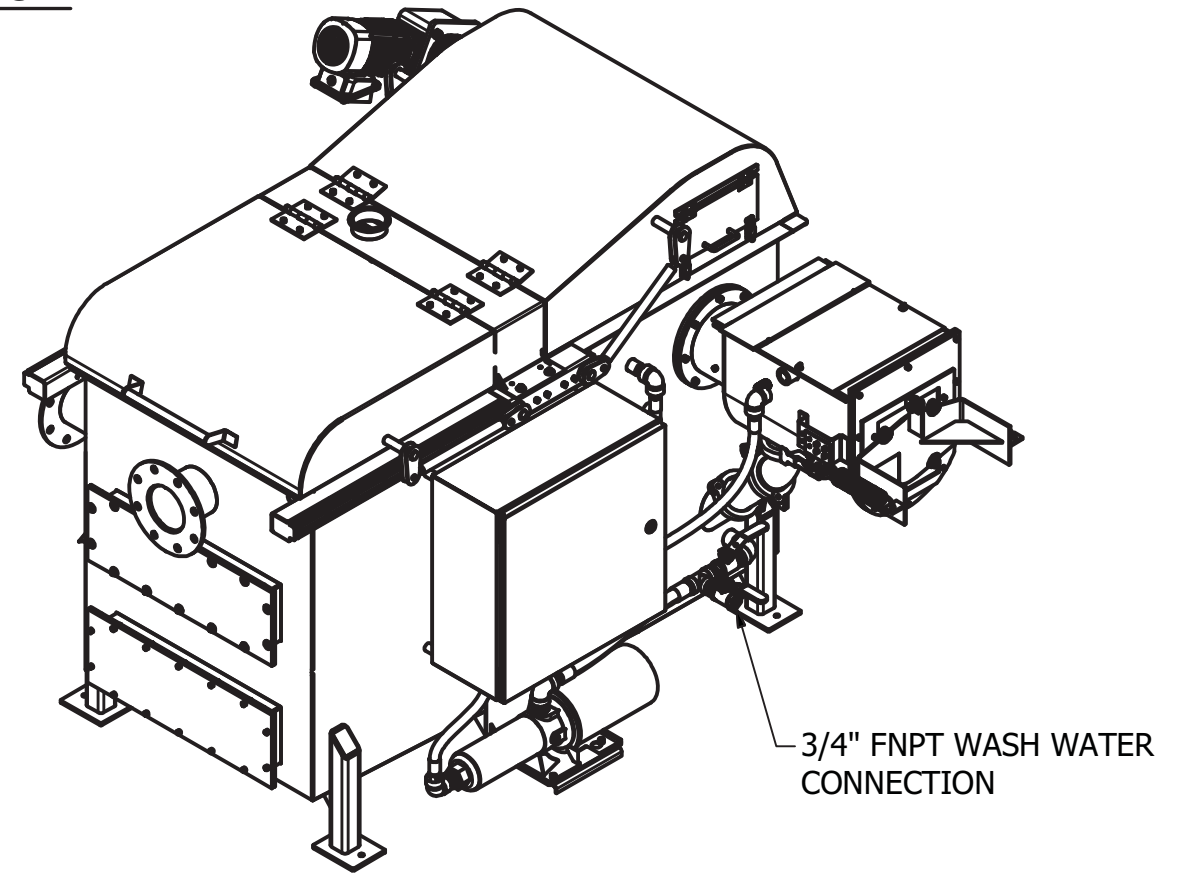


NOT FOR CONSTRUCTION



GRAVITY INLET MODEL



REV	DESCRIPTION	BY	CHK'D	APP'D	DATE
0	FOR INFORMATION	JCM	AHM	MWA	1/30/15



WWW.MITCHERSON.COM (713) 306-2274

TITLE: **ES-270 GENERAL ASSEMBLY**

DRAWING NUMBER: **ESG-270**

UNLESS OTHERWISE SPECIFIED:
 1. DIMENSIONAL TOLERANCES APPLY
 2. DIMENSIONS ARE IN INCHES
 3. DEBURR AND BREAK ALL SHARP EDGES, R .020

.X	± .030	FRACTIONS	± 1/16
.XX	± .010	ANGLES	± 0°30'
.XXX	± .005		

DRAWN BY:	JCM
DATE:	1/30/2015

WT. / LBS.	1285.2	SHEET 1 OF 1
lbmass		REVISION: 0