

# NORTH STATE BANK

## 2413 BLUE RIDGE RD.

### RALEIGH, NC 27607

### ARCHITECT

**NEW CITY DESIGN GROUP, PLLC**  
**1304 HILLSBOROUGH ST.**  
**RALEIGH, NC 27605**  
**P: 919.831.1308**  
**WWW.NEWCITYDESIGN.COM**

### ERECTOR

**CLAYTON COMMERCIAL GLAZING**  
**3210 US HIGHWAY 70W**  
**SMITHFIELD, NC 27577**  
**P: 919.550.4024**

#### \*\*ARCHITECT/GC NOTES\*\*:

CLAYTON COMMERCIAL GLAZING HAS ATTEMPTED TO GIVE REFERENCE DIMENSIONS AS IT PERTAINS TO THE CENTERLINE OF THE COLUMN WITH RELATIONSHIP TO THE CURTAINWALL/STOREFRONT SYSTEMS. PLEASE REVIEW AND CONFIRM/CORRECT THESE REFERENCE DIMENSIONS AS IT IS CRUCIAL TO THE INSTALLATION OF THESE WINDOW SYSTEMS.

CLAYTON COMMERCIAL GLAZING HAS ATTEMPTED TO INTERPRET THE CONTRACT DRAWINGS IN REFERENCE TO THE SURROUND CONDITIONS AT THE WINDOW WALL SYSTEMS. PLEASE REVIEW AND CLARIFY IF THESE CONDITIONS ARE ACCURATE. ANY INACCURACY IN THESE DETAILS WILL NOT HOLD CLAYTON COMMERCIAL GLAZING LIABLE. PLEASE COORDINATE WITH OTHER TRADES TO MAKE THE SURROUND CONDITIONS SO THAT THE WINDOW WALL SYSTEMS ARE ABLE TO BE INSTALLED AND WATERPROOFED PROPERLY.

#### MFG. SYSTEM

EXTERIOR STOREFRONT PRODUCT #  
TUBELITE T14000 I/O SERIES - 2" X 4 1/2"  
FRONT SET STOREFRONT TO ACCEPT 1" GLASS

EXTERIOR CURTAINWALL PRODUCT #  
TUBELITE CW400 SERIES - 2 1/2" X 7 1/2"  
FRONT SET STOREFRONT TO ACCEPT 1" GLASS


TUBELITE CW400 SERIES - 2 1/2" X 6"  
FRONT SET STOREFRONT TO ACCEPT 1" GLASS

INTERIOR STOREFRONT PRODUCT #  
TUBELITE E14000 SERIES - 2" X 4 1/2"  
FRONT SET STOREFRONT TO ACCEPT 1/4" GLASS

DOOR PRODUCT #  
TUBELITE STANDARD 1 3/4" THICK MEDIUM STILE  
DOORS WITH 10" BOTTOM RAIL

MIRROR PRODUCT #  
1/4" MIRROR WITH SAFETY BACKING. INSTALLED WITH  
PERIMETER CHANNEL AND MIRROR MASTIC

FINISH:  
STOREFRONT AND CURTAINWALL:  
CLASS 1 CLEAR ANODIZED

WOOD GRAIN 1406/01 DS716  
WOOD GRAIN AT SELECTED AREAS  
INDICATED WITH A WOOD GRAIN HATCH 

MIRROR CHANNEL:  
SATIN ANODIZED FINISH

NOTES:  
ALL STRUCTURAL SUPPORT FOR ANCHORAGE  
IS SUPPLIED AND INSTALLED BY OTHERS TO  
INCLUDE ALL WOOD BLOCKING.

### INDEX

SHEET NUMBER	DESCRIPTION
.01-.03	COVER SHEET & SCHEDULES
1.01-1.02	PLAN VIEWS
2.01-2.25	ELEVATIONS
3.01-3.59	DETAILS

	DATE
1ST REVISION	05.13.22
1ST SUBMISSION	03.21.22
NO	DESCRIPTION
DRAWING SUBMISSION	

**CLAYTON COMMERCIAL GLAZING**  
**3210 US HIGHWAY 70W**  
**SMITHFIELD, NC 27577**  
**P: 919.550.4024**

PROJECT: NORTH STATE BANK  
LOCATION: 2413 BLUE RIDGE RD.  
RALEIGH, NC 27607

DRAWN BY:	DATE:
CW	03.21.22
CHECKED BY:	DATE:
BT	03.21.22
JOB NO.:	

## GLASS TYPES

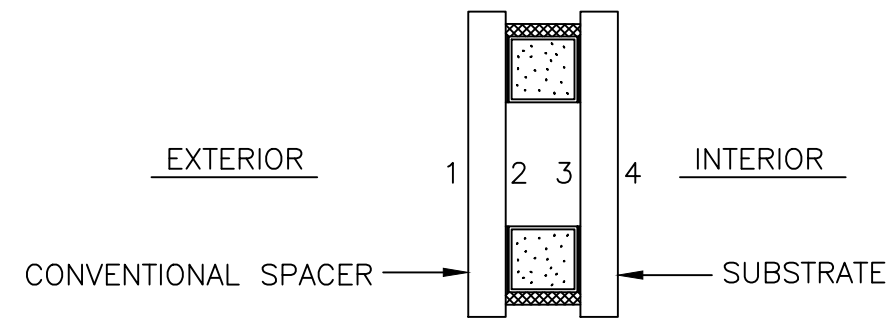
GLAZING TYPE	DESCRIPTION
(VG1)	1" INSULATED VISION - ANNEALED -1/4" CLEAR ANNEALED WITH SNX 51/23 LOW-E ON #2 SURFACE -1/2" AIR SPACE (MILL SPACER) -1/4" CLEAR ANNEALED
(VG1T)	1" INSULATED VISION - TEMPERED -1/4" CLEAR TEMPERED WITH SNX 51/23 LOW-E ON #2 SURFACE -1/2" AIR SPACE (MILL SPACER) -1/4" CLEAR TEMPERED
(SG1)	1" INSULATED SPANDREL - ANNEALED -1/4" CLEAR ANNEALED WITH SNX 51/23 LOW-E ON #2 SURFACE -1/2" AIR SPACE (MILL SPACER) -1/4" CLEAR ANNEALED WITH STANDARD FRIT ON #4 SURFACE COLOR OF FRIT TO BE DETERMINED
(SG1T)	1" INSULATED SPANDREL - TEMPERED -1/4" CLEAR TEMPERED WITH SNX 51/23 LOW-E ON #2 SURFACE -1/2" AIR SPACE (MILL SPACER) -1/4" CLEAR TEMPERED WITH STANDARD FRIT ON #4 SURFACE COLOR OF FRIT TO BE DETERMINED
(VG2)	1/4" VISION - TEMPERED -1/4" CLEAR TEMPERED
(MG1)	1/4" MIRROR -1/4" STANDARD ANNEALED MIRROR WITH SAFETY BACKING -INSTALLED WITH PERIMETER J-CHANNEL AND MIRROR MASTIC

### ARCH/GC GLASS NOTES:

ALL GLAZING TYPES LISTED HERE ARE BASIC DESCRIPTIONS. REFERENCE CLAYTON COMMERCIAL GLAZING SEPARATE SUBMITTALS FOR A COMPLETE GLASS SCHEDULE.

ARCHITECT TO CHOOSE GLASS TINT AND MAKE UP FROM PROVIDED SAMPLES.

### GLASS ILLUSTRATION



NO	DESCRIPTION	DATE

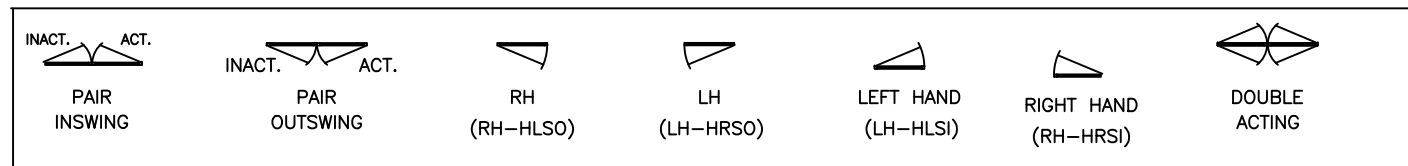
**CLAYTON COMMERCIAL GLAZING**  
 3210 US HIGHWAY 70W  
 SMITHFIELD, NC 27577  
 P: 919.550.4024

PROJECT: NORTH STATE BANK	
LOCATION: 2413 BLUE RIDGE RD.	
RALEIGH, NC 27607	

DRAWN BY: CW	DATE: 03.21.22
CHECKED BY: BT	DATE: 03.21.22

## DOOR SCHEDULE

DOOR	SIZE	HAND	DOOR TYPE	FRAME	FRAMING	HARDWARE	LOCATION
100A	6'-0" X 8'-0"	PRSO	MEDIUM STILE	W5	CW400	1	LOBBY 100
101A	6'-0" X 8'-0"	PRSO	WOOD BY OTHERS	SF1	E14000	3	TENANT 101
102A	6'-0" X 8'-0"	PRSI	WOOD BY OTHERS	SF2	E14000	3	TENANT 102
104A	6'-0" X 8'-0"	PRSO	MEDIUM STILE	W8	CW400	1	LOBBY 104
104B	6'-0" X 8'-0"	PRSO	MEDIUM STILE	W8	CW400	1	LOBBY 104
203A	6'-0" X 8'-0"	PRSO	WOOD BY OTHERS	SF3	E14000	3	CORE 203



## HARDWARE SCHEDULE

HARDWARE #1 EXTERIOR PAIRS OF DOORS:  
 TUBELITE CONTINUOUS HINGES  
 TUBELITE STANDARD THRESHOLD  
 TUBELITE STANDARD CVR PANIC DEVICE  
 WEATHER STRIPPING PER DOOR  
 PULL HANDLE  
 STANDARD SWEEP  
 STANDARD SURFACE MOUNTED CLOSER

HARDWARE #2 EXTERIOR SINGLE OF DOOR:  
 TUBELITE OFFSET PIVOTS  
 TUBELITE STANDARD THRESHOLD  
 TUBELITE STANDARD RIM PANIC DEVICE  
 WEATHER STRIPPING PER DOOR  
 PULL HANDLE  
 STANDARD SWEEP  
 STANDARD SURFACE MOUNTED CLOSER

HARDWARE #3 INTERIOR PAIRS OF DOOR:  
 CLAYTON COMMERCIAL WILL PREP THE STOREFRONT  
 FRAMES ONLY FOR STRIKES AND HINGES ONLY.

DOOR CLOSERS ARE TUBELITE STANDARD OVERHEAD CONCEALED CLOSER.  
 ALL HARDWARE (EXCEPT CLOSERS) IS SUPPLIED AND INSTALLED BY OTHERS.

CLAYTON COMMERCIAL WILL REQUIRE STRIKE AND HINGE  
 LOCATION AND TYPES PRIOR TO DOOR FRAME FABRICATION

### DOOR HARDWARE NOTES:

1) ALL HARDWARE FOR ALUMINUM STOREFRONT DOORS IS SUPPLIED AND INSTALLED BY CLAYTON COMMERCIAL GLAZING.

### DOOR NOTES:

- 1) ALL DOORS ARE TUBELITE STANDARD MEDIUM STILE 1 3/4" THICKNESS ALL DOORS ARE TO RECEIVE A 10" BOTTOM RAIL.
- 2) EXTERIOR DOORS ARE TO ACCEPT 1" GLASS.
- 3) INTERIOR DOORS ARE TO ACCEPT 1/4" GLASS.
- 4) DOOR LEAVES ARE WOOD GRAIN PAINTED FINISH.
- 5) WOOD DOORS ARE SUPPLIED AND INSTALLED BY OTHERS.

NO.	DESCRIPTION	DATE
1	1ST REVISION	05.13.22
2	1ST SUBMISSION	03.21.22

CLAYTON COMMERCIAL GLAZING  
 3210 US HIGHWAY 70W  
 SMITHFIELD, NC 27577  
 P: 919.550.4024

PROJECT:	NORTH STATE BANK
LOCATION:	2413 BLUE RIDGE RD. RALEIGH, NC 27607

DRAWN BY:	CW	DATE:	03.21.22
CHECKED BY:	BT	DATE:	03.21.22

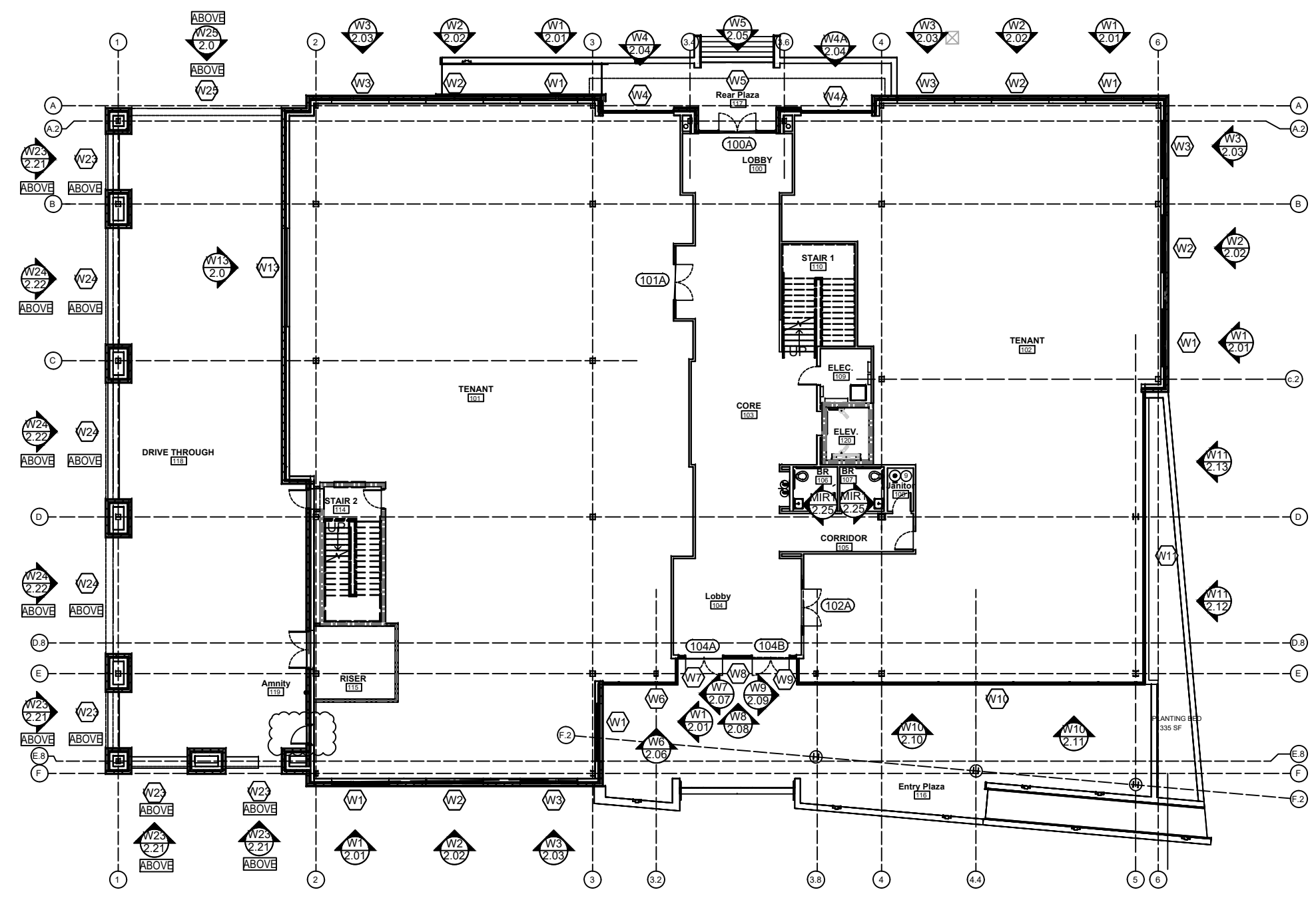
NO	DESCRIPTION	DATE
1ST SUBMISSION	1ST SUBMISSION	03.21.22
1ST REVISION	1ST REVISION	05.13.22
DRAWING SUBMISSION		

CLAYTON COMMERCIAL GLAZING  
 3210 US HIGHWAY 70W  
 SMITHFIELD, NC 27577  
 P: 919.550.4024

PROJECT: NORTH STATE BANK  
 LOCATION: 2413 BLUE RIDGE RD.  
 RALEIGH, NC 27607

DRAWN BY:	DATE:
CW	03.21.22
CHECKED BY:	DATE:
BT	03.21.22
JOB NO.:	

1.01



**ARCH / G.C. NOTE:**

FLOOR PLANS ARE PROVIDED FOR OPENING TYPE LOCATION ONLY. REFER TO SPECIFIC MARK ELEVATIONS FOR SIZE REFERENCE DIMENSIONING, MULLION SPACING, ETC.

**FLOOR PLAN - GROUND FLOOR**

NTS ARCH. REF.: A111



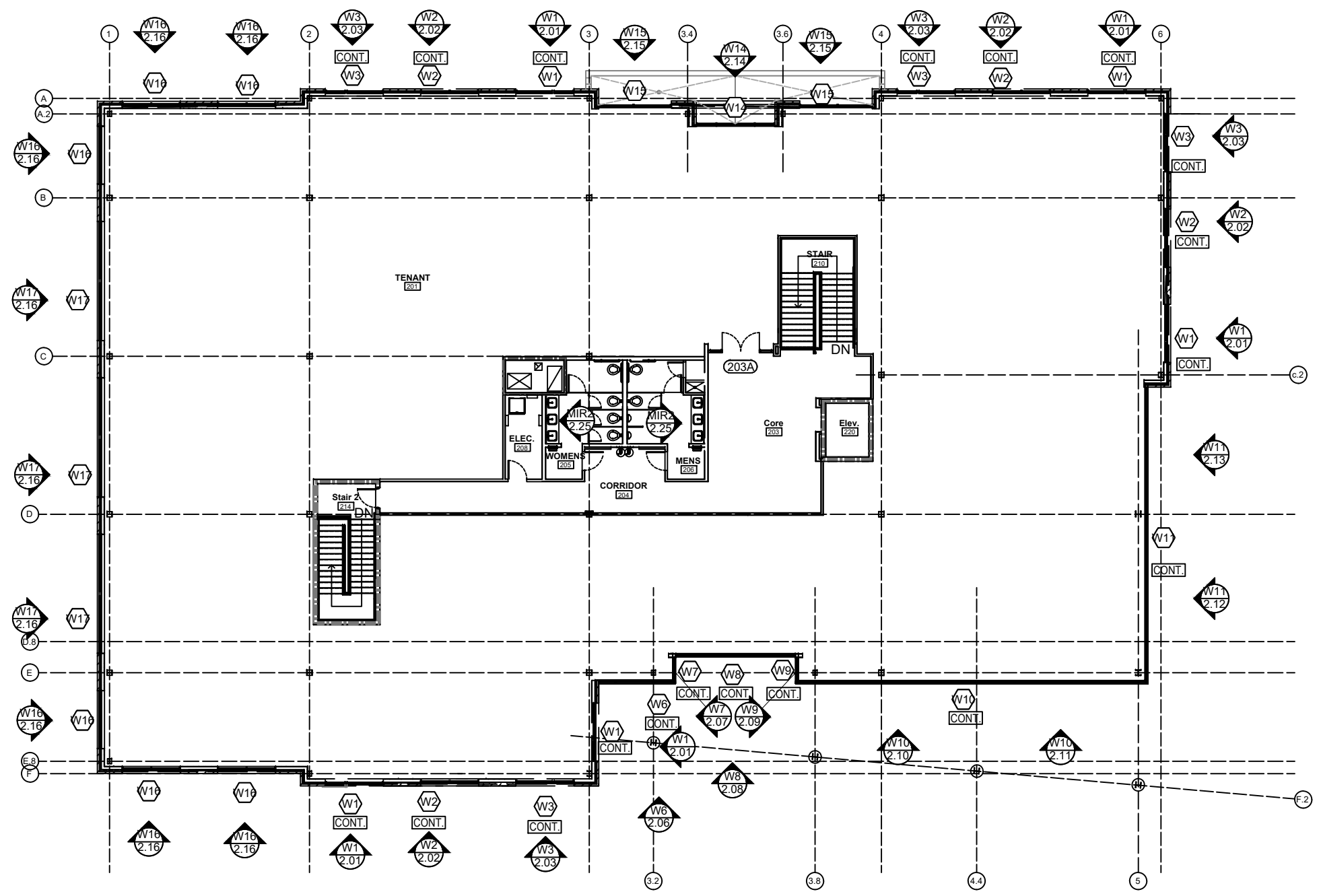
NO	DESCRIPTION	DATE
1ST REVISION		05.13.22
1ST SUBMISSION		03.21.22

CLAYTON COMMERCIAL GLAZING  
 3210 US HIGHWAY 70W  
 SMITHFIELD, NC 27577  
 P: 919.550.4024

PROJECT: NORTH STATE BANK  
 LOCATION: 2413 BLUE RIDGE RD.  
 RALEIGH, NC 27607

DRAWN BY:	DATE:
CW	03.21.22
CHECKED BY:	DATE:
BT	03.21.22
JOB NO.:	

1.02

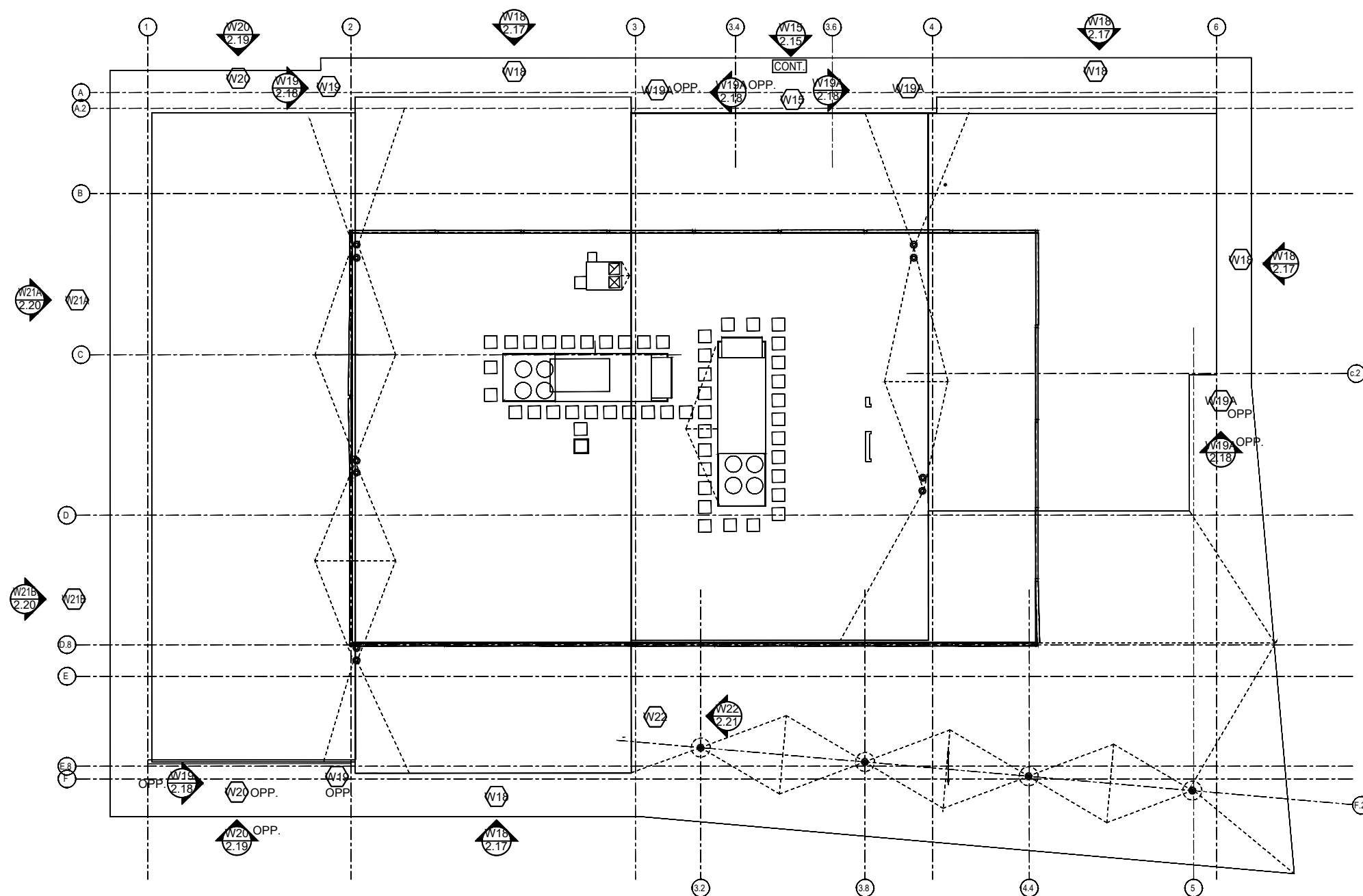


**ARCH / G.C. NOTE:**

FLOOR PLANS ARE PROVIDED FOR OPENING TYPE LOCATION ONLY. REFER TO SPECIFIC MARK ELEVATIONS FOR SIZE REFERENCE DIMENSIONING, MULLION SPACING, ETC.

**FLOOR PLAN - SECOND FLOOR**

NTS ARCH. REF.: A112



NO	DESCRIPTION	DATE
1	1ST SUBMISSION	03.21.22
2	1ST REVISION	05.13.22

CLAYTON COMMERCIAL GLAZING  
 3210 US HIGHWAY 70W  
 SMITHFIELD, NC 27577  
 P: 919.550.4024

PROJECT:	NORTH STATE BANK
LOCATION:	2413 BLUE RIDGE RD. RALEIGH, NC 27607

DRAWN BY:	DATE:
CW	03.21.22
CHECKED BY:	DATE:
BT	03.21.22

JOB NO.:  
 1.03

**ARCH / G.C. NOTE:**

FLOOR PLANS ARE PROVIDED FOR OPENING TYPE LOCATION ONLY. REFER TO SPECIFIC MARK ELEVATIONS FOR SIZE REFERENCE DIMENSIONING, MULLION SPACING, ETC.

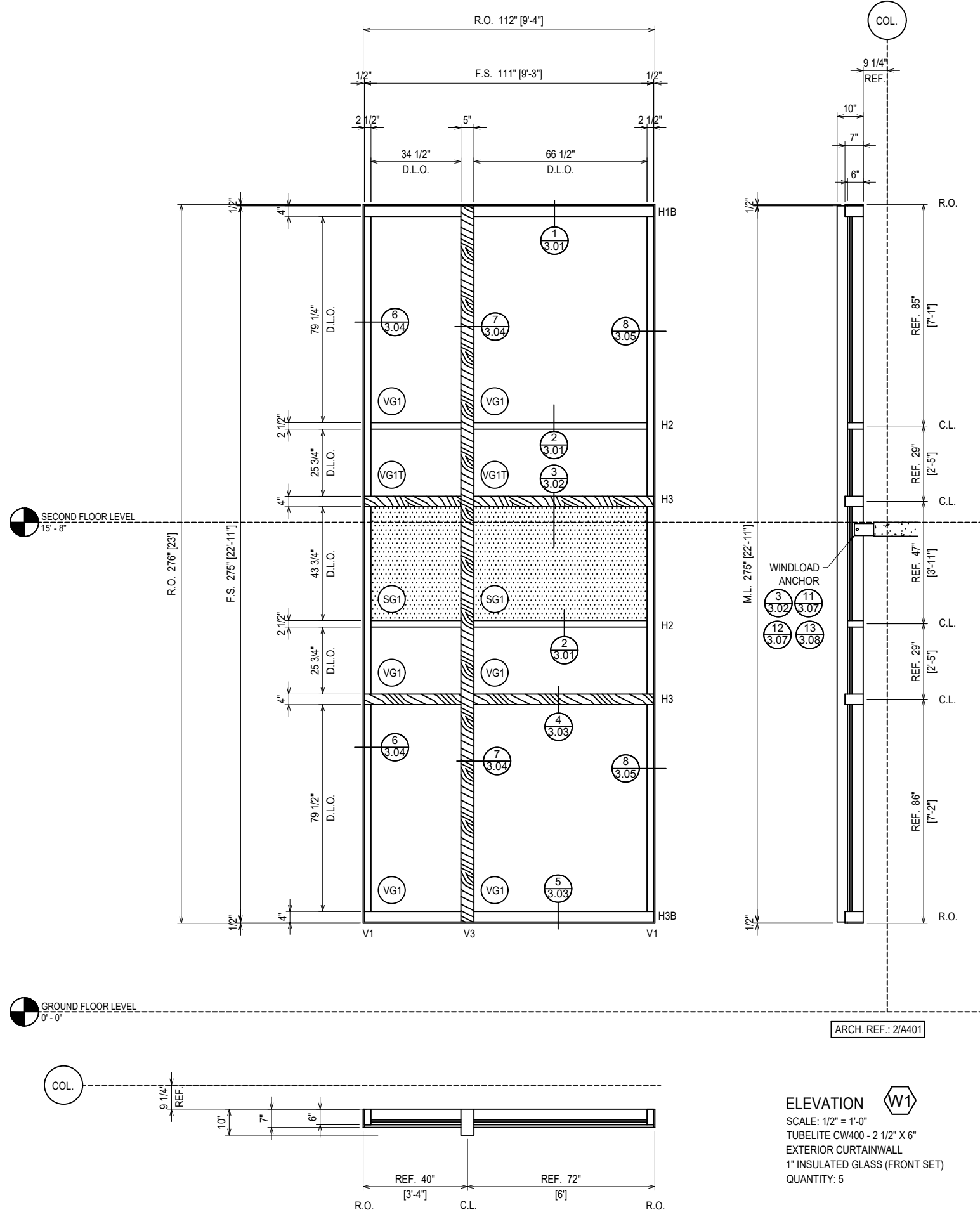
**FLOOR PLAN - CLERESTORY FLOOR**

NTS

ARCH. REF.: A113



**\*\*ARCHITECT/GC NOTES\*\*:**  
 CLAYTON COMMERCIAL GLAZING HAS ATTEMPTED TO GIVE REFERENCE DIMENSIONS AS IT PERTAINS TO THE CENTERLINE OF THE COLUMN WITH RELATIONSHIP TO THE CURTAINWALL/STOREFRONT SYSTEMS. PLEASE REVIEW AND CONFIRM/CORRECT THESE REFERENCE DIMENSIONS AS IT IS CRUCIAL TO THE INSTALLATION OF THESE WINDOW SYSTEMS.



NO	DESCRIPTION	DATE
1ST REVISION	1ST SUBMISSION	05.13.22
		03.21.22

CLAYTON COMMERCIAL GLAZING  
 3210 US HIGHWAY 70W  
 SMITHFIELD, NC 27577  
 P: 919.550.4024

PROJECT: NORTH STATE BANK  
 LOCATION: 2413 BLUE RIDGE RD.  
 RALEIGH, NC 27607

DRAWN BY:	DATE:
CW	03.21.22
CHECKED BY:	DATE:
BT	03.21.22
JOB NO.:	

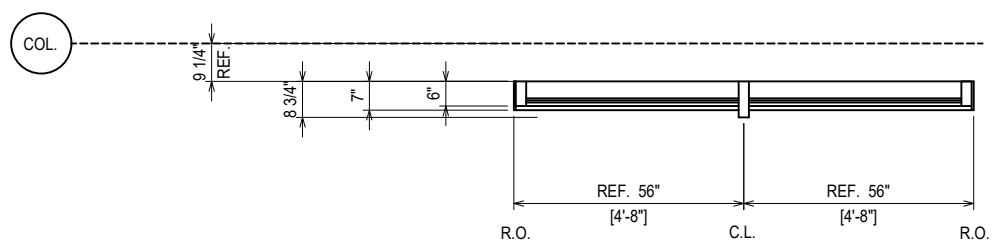
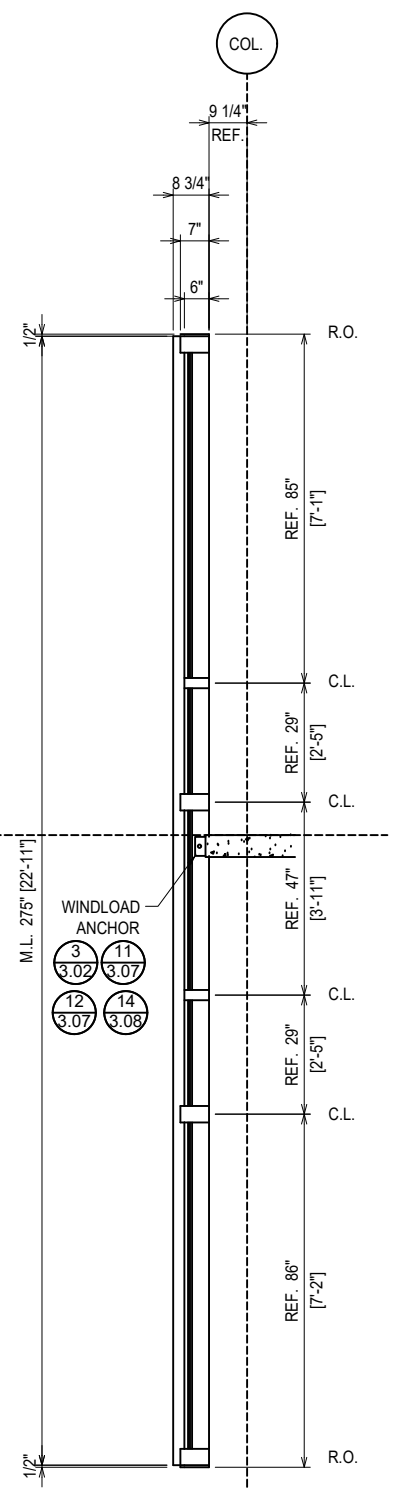
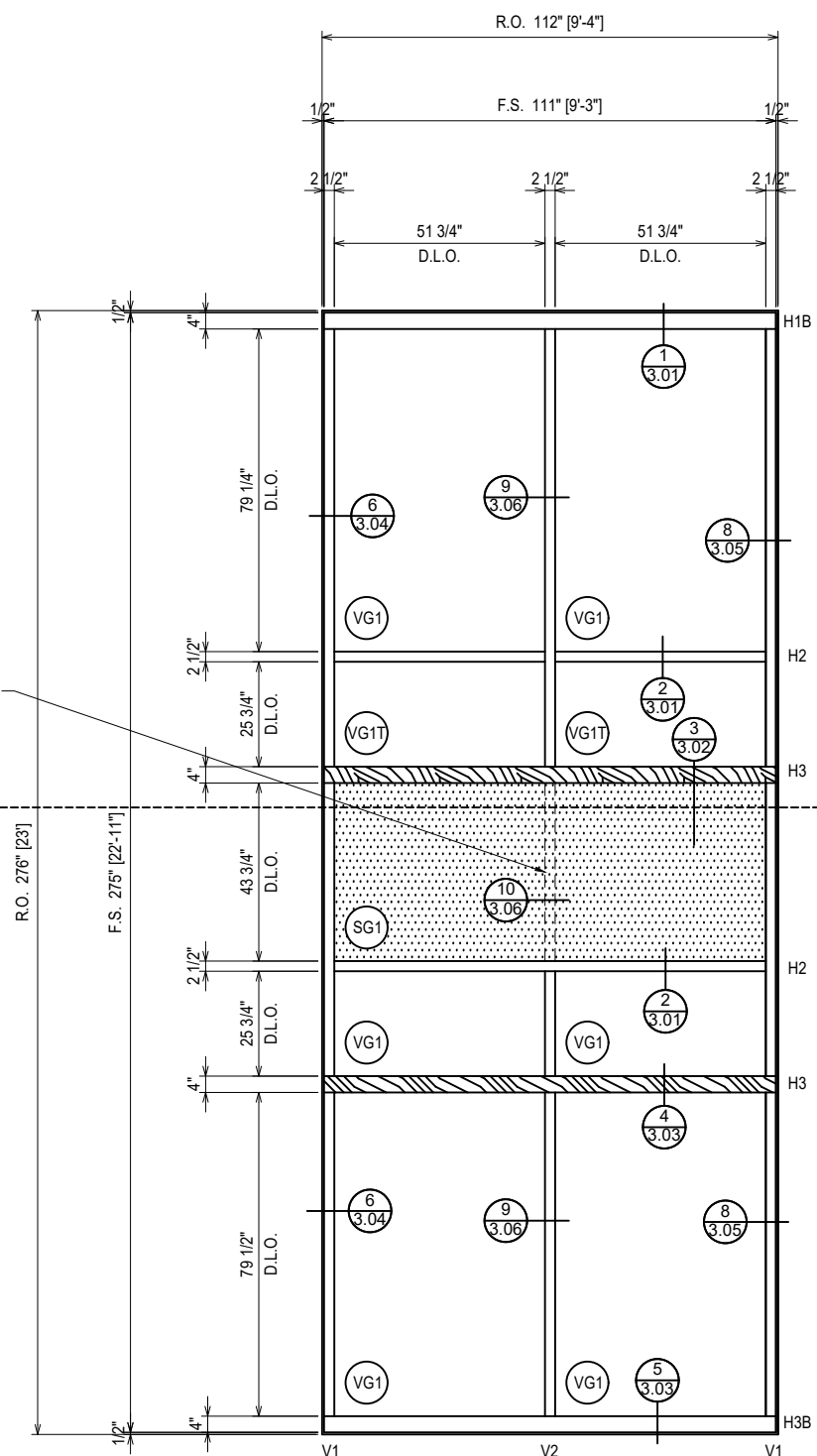
ERECTOR / G.C. NOTE:  
 PLEASE FIELD VERIFY ALL DIMENSIONS


**\*\*ARCHITECT/GC NOTES\*\*:**  
 CLAYTON COMMERCIAL GLAZING HAS ATTEMPTED TO GIVE REFERENCE DIMENSIONS AS IT PERTAINS TO THE CENTERLINE OF THE COLUMN WITH RELATIONSHIP TO THE CURTAINWALL/STOREFRONT SYSTEMS. PLEASE REVIEW AND CONFIRM/CORRECT THESE REFERENCE DIMENSIONS AS IT IS CRUCIAL TO THE INSTALLATION OF THESE WINDOW SYSTEMS.

ERECTOR: THE CONTINUOUS SSG MULLION IS TO CONTINUE THROUGH THE FULL FRAME HEIGHT FOR STRUCTURAL STABILITY. THE SPANDREL GLASS WILL RUN THROUGH

SECOND FLOOR LEVEL  
 15'-8"

GROUND FLOOR LEVEL  
 0'-0"



**ELEVATION**   
 SCALE: 1/2" = 1'-0"  
 TUBELITE CW400 - 2 1/2" X 6"  
 EXTERIOR CURTAINWALL  
 1" INSULATED GLASS (FRONT SET)  
 QUANTITY: 4

ARCH. REF.: 2/A401

ERECTOR / G.C. NOTE:  
 PLEASE FIELD VERIFY ALL DIMENSIONS

NO	DESCRIPTION	DATE
1ST SUBMISSION		03.21.22
1ST REVISION		05.13.22

CLAYTON COMMERCIAL GLAZING  
 3210 US HIGHWAY 70W  
 SMITHFIELD, NC 27577  
 P: 919.550.4024

PROJECT:	NORTH STATE BANK
LOCATION:	2413 BLUE RIDGE RD. RALEIGH, NC 27607

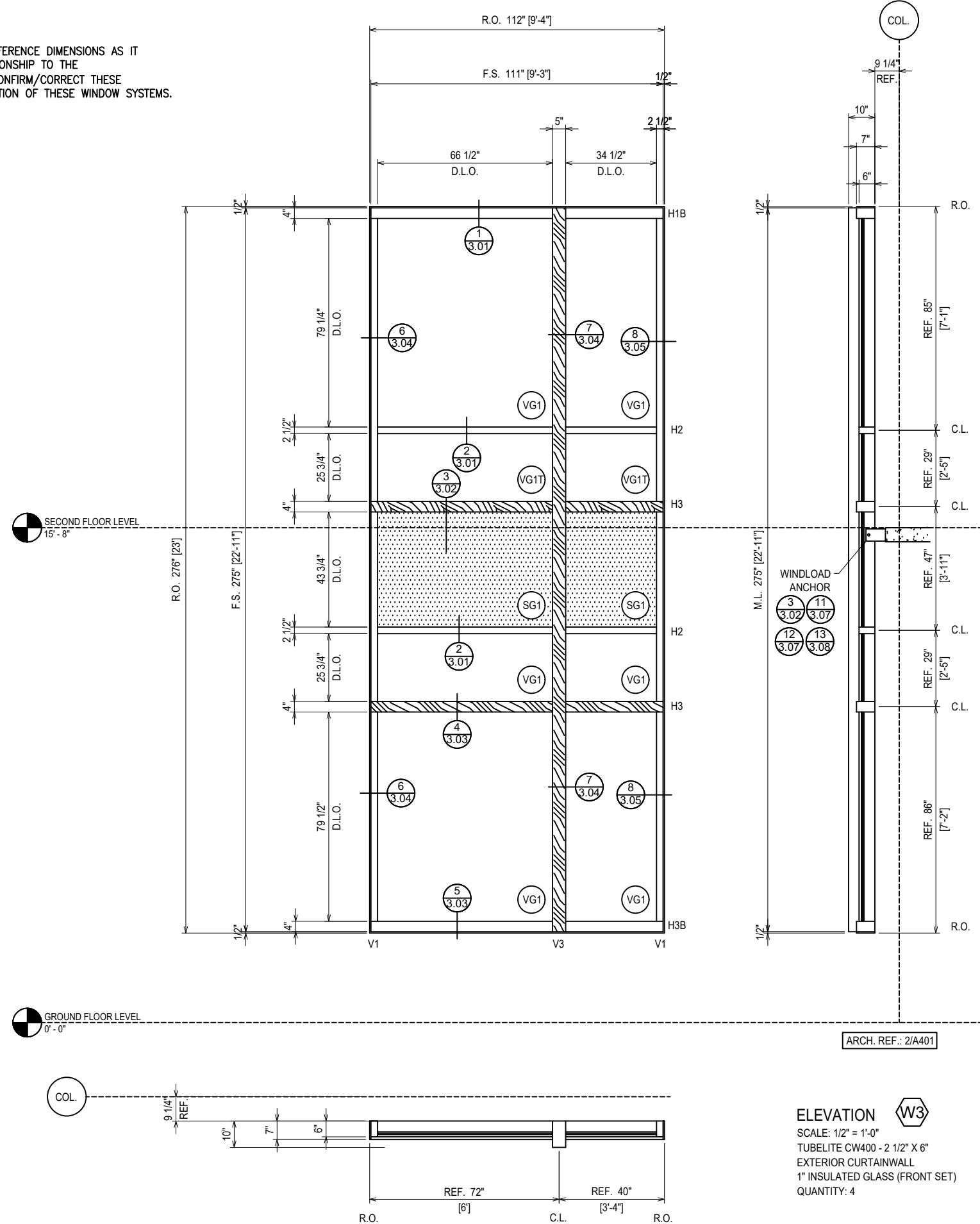
DRAWN BY:	DATE:
CW	03.21.22
CHECKED BY:	DATE:
BT	03.21.22

JOB NO.:  
 2.02



**\*\*ARCHITECT/GC NOTES\*\*:**

CLAYTON COMMERCIAL GLAZING HAS ATTEMPTED TO GIVE REFERENCE DIMENSIONS AS IT PERTAINS TO THE CENTERLINE OF THE COLUMN WITH RELATIONSHIP TO THE CURTAINWALL/STOREFRONT SYSTEMS. PLEASE REVIEW AND CONFIRM/CORRECT THESE REFERENCE DIMENSIONS AS IT IS CRUCIAL TO THE INSTALLATION OF THESE WINDOW SYSTEMS.



**ELEVATION** W3  
 SCALE: 1/2" = 1'-0"  
 TUBELITE CW400 - 2 1/2" X 6"  
 EXTERIOR CURTAINWALL  
 1" INSULATED GLASS (FRONT SET)  
 QUANTITY: 4

ERECTOR / G.C. NOTE:  
 PLEASE FIELD VERIFY ALL DIMENSIONS

NO	DESCRIPTION	DATE
1ST SUBMISSION		03.21.22
1ST REVISION		05.13.22

**CLAYTON COMMERCIAL GLAZING**  
 3210 US HIGHWAY 70W  
 SMITHFIELD, NC 27577  
 P: 919.550.4024

PROJECT:	NORTH STATE BANK
LOCATION:	2413 BLUE RIDGE RD. RALEIGH, NC 27607

DRAWN BY:	DATE:
CW	03.21.22
CHECKED BY:	DATE:
BT	03.21.22
JOB NO.:	

2.03

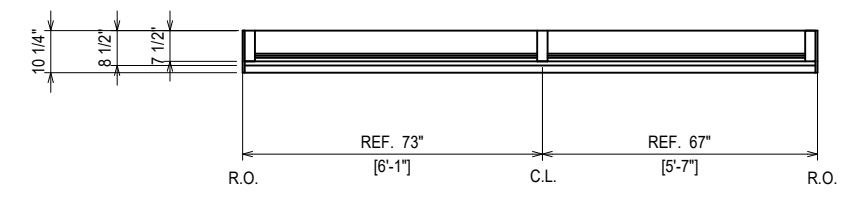
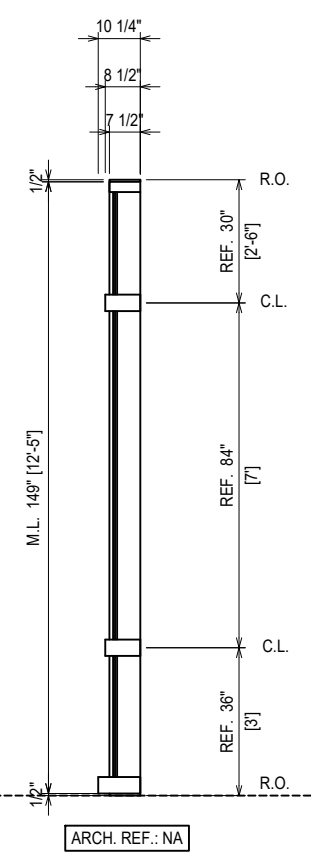
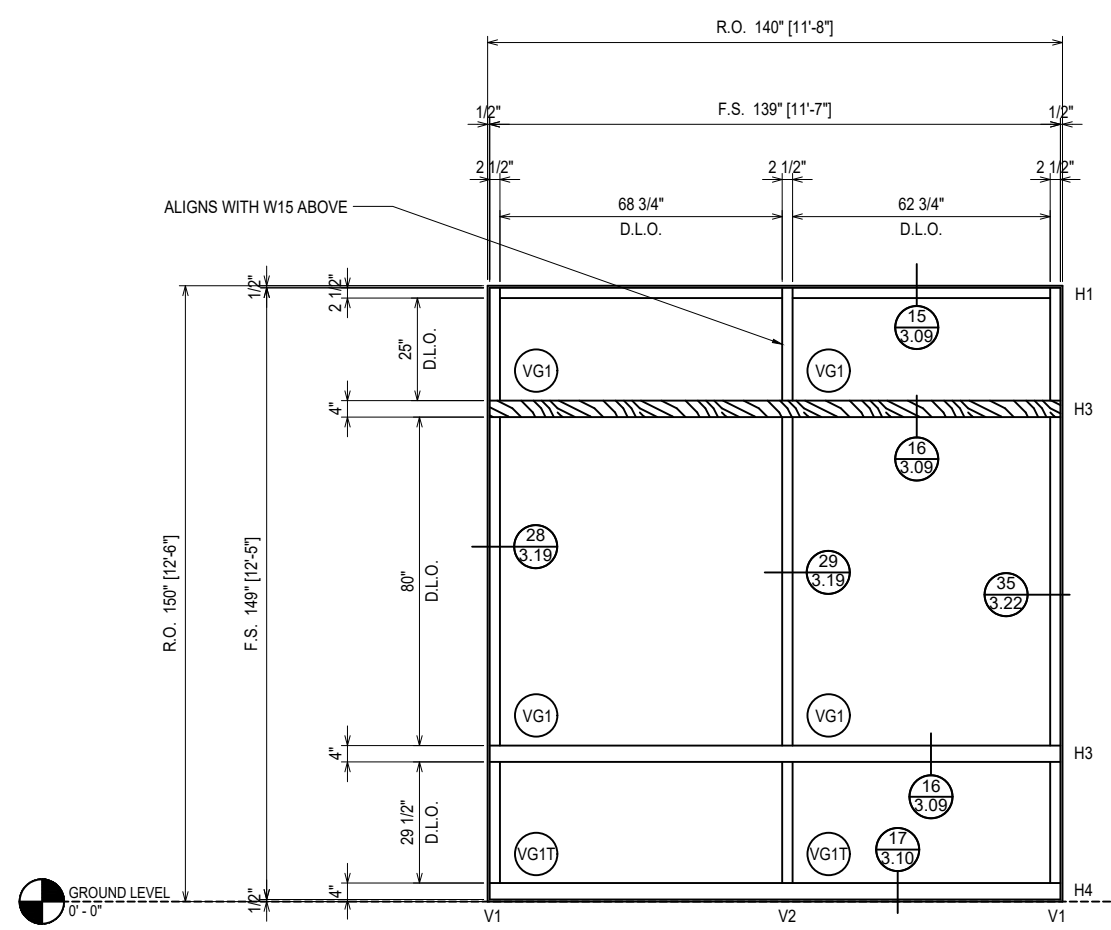
NO.	DESCRIPTION	DATE
1ST REVISION	1ST SUBMISSION	05.13.22
		03.21.22
	DRAWING SUBMISSION	

CLAYTON COMMERCIAL GLAZING  
 3210 US HIGHWAY 70W  
 SMITHFIELD, NC 27577  
 P: 919.550.4024

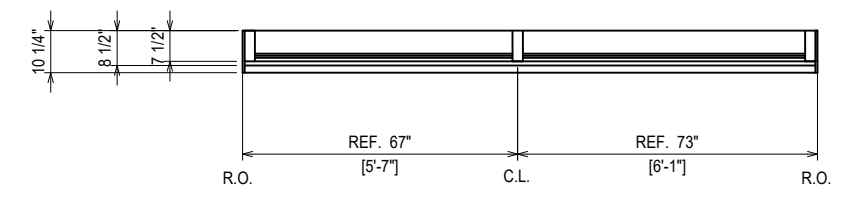
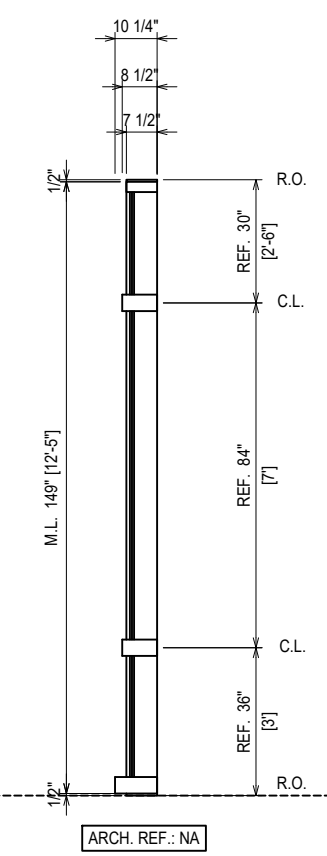
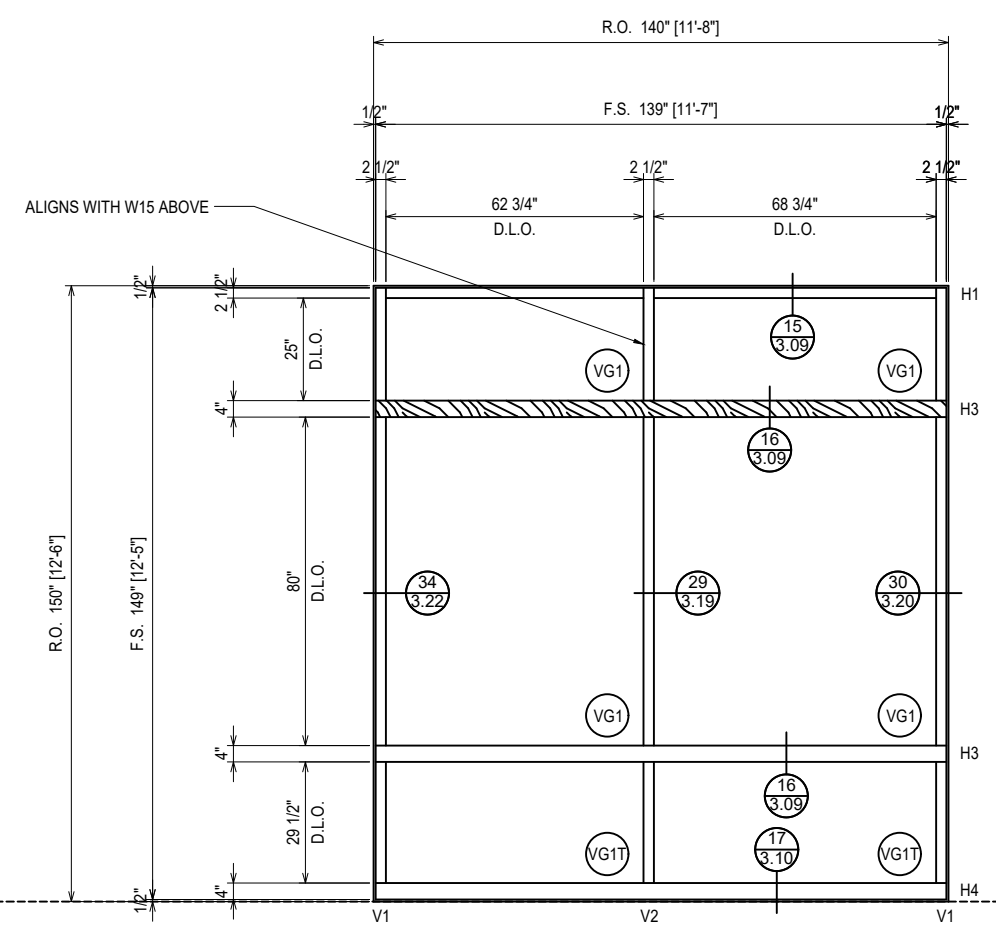
PROJECT: NORTH STATE BANK  
 LOCATION: 2413 BLUE RIDGE RD.  
 RALEIGH, NC 27607

DRAWN BY:	DATE:
CW	03.21.22
CHECKED BY:	DATE:
BT	03.21.22
JOB NO.:	

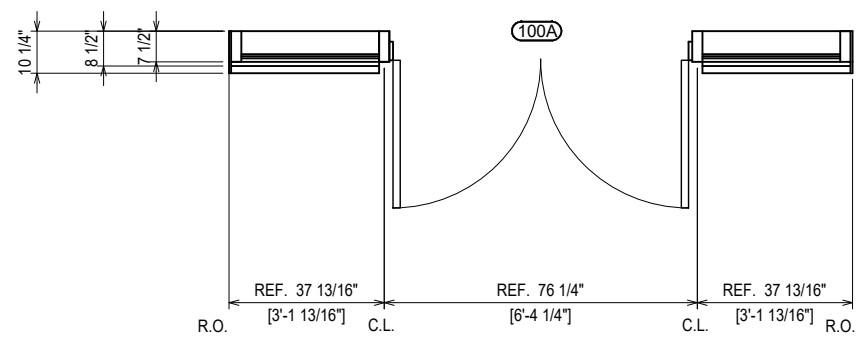
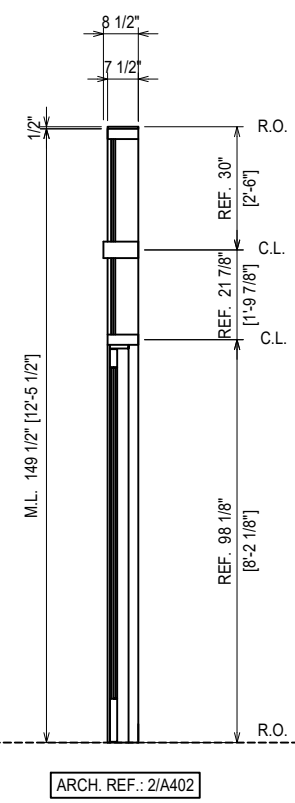
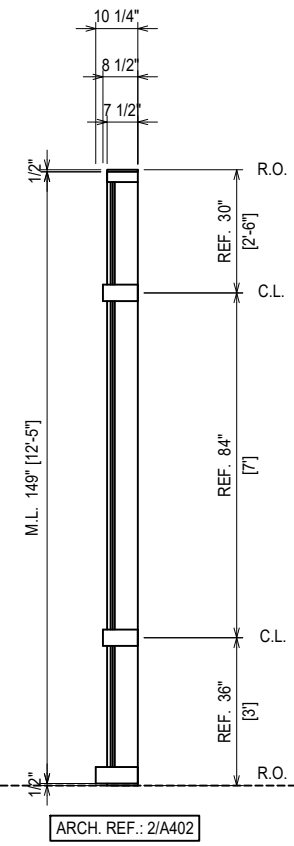
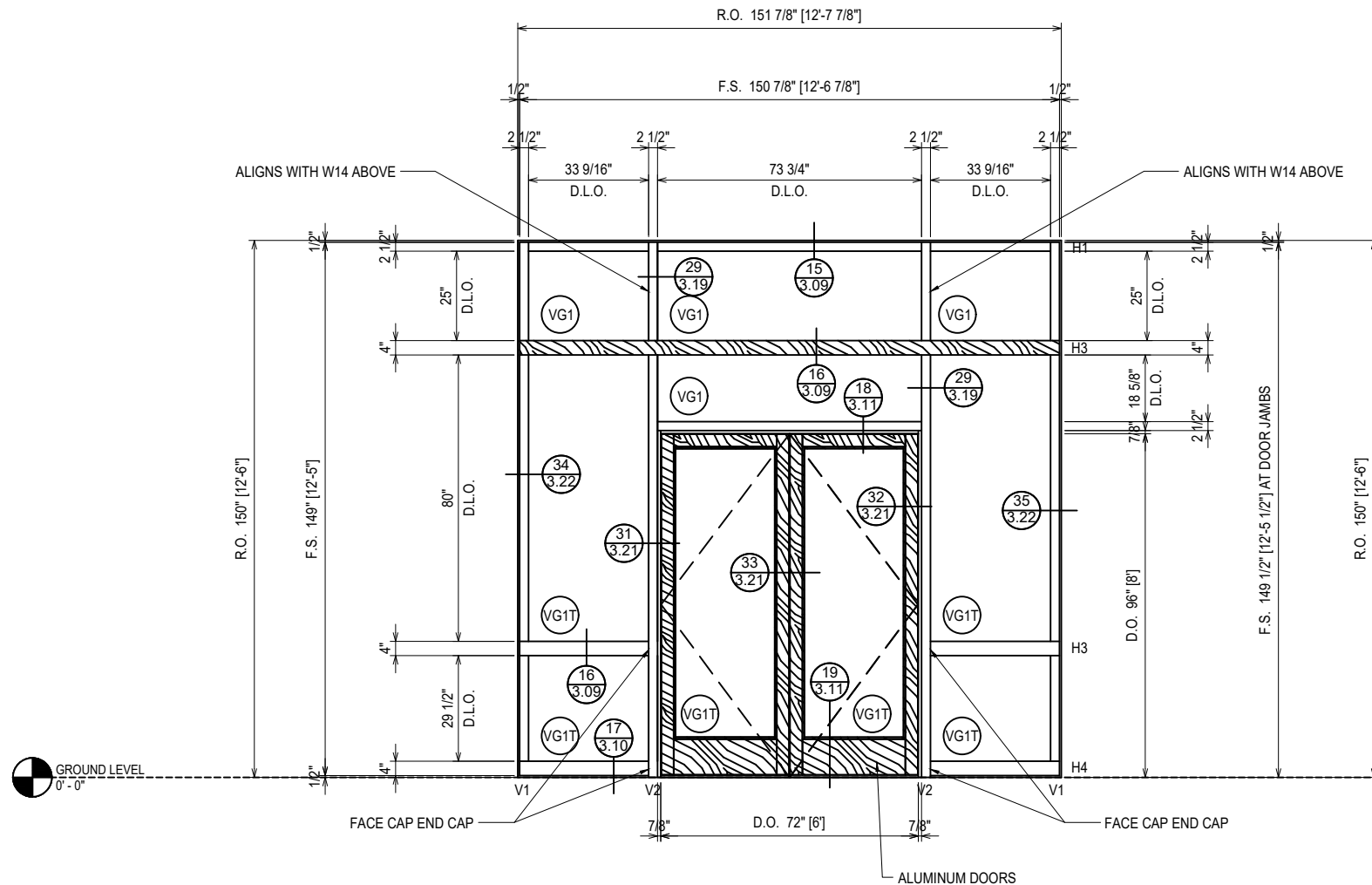
ERECTOR / G.C. NOTE:  
 PLEASE FIELD VERIFY ALL DIMENSIONS



ELEVATION **W4**  
 SCALE: 1/2" = 1'-0"  
 TUBELITE CW400 - 2 1/2" X 7 1/2"  
 EXTERIOR CURTAINWALL  
 1" INSULATED GLASS (FRONT SET)  
 QUANTITY: 1



ELEVATION **W4A**  
 SCALE: 1/2" = 1'-0"  
 TUBELITE CW400 - 2 1/2" X 7 1/2"  
 EXTERIOR CURTAINWALL  
 1" INSULATED GLASS (FRONT SET)  
 QUANTITY: 1



**ELEVATION** W5  
 SCALE: 1/2" = 1'-0"  
 TUBELITE CW400 - 2 1/2" X 7 1/2"  
 EXTERIOR CURTAINWALL  
 1" INSULATED GLASS (FRONT SET)  
 QUANTITY: 1

NO	DESCRIPTION	DATE
1ST REVISION		05.13.22
1ST SUBMISSION		03.21.22

**CLAYTON COMMERCIAL GLAZING**  
**3210 US HIGHWAY 70W**  
**SMITHFIELD, NC 27577**  
**P: 919.550.4024**

PROJECT:	NORTH STATE BANK
LOCATION:	2413 BLUE RIDGE RD. RALEIGH, NC 27607

DRAWN BY:	DATE:
CW	03.21.22
CHECKED BY:	DATE:
BT	03.21.22

JOB NO.:

ERECTOR / G.C. NOTE:  
 PLEASE FIELD VERIFY ALL DIMENSIONS

NO	DESCRIPTION	DATE
1ST REVISION	1ST SUBMISSION	05.13.22
		03.21.22

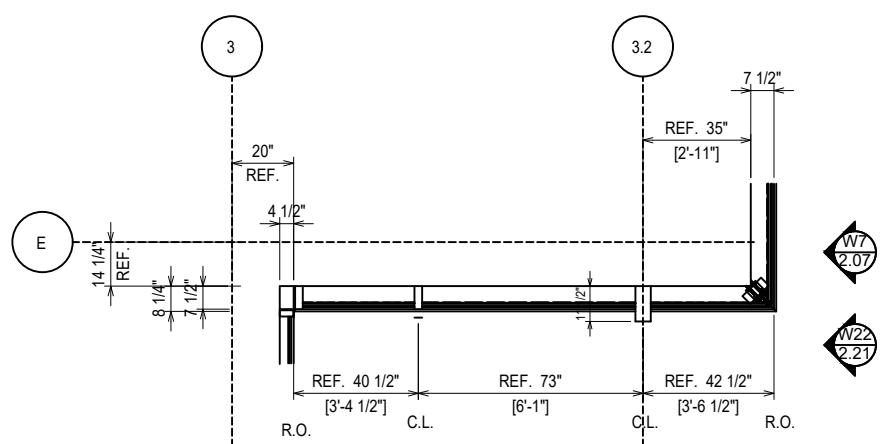
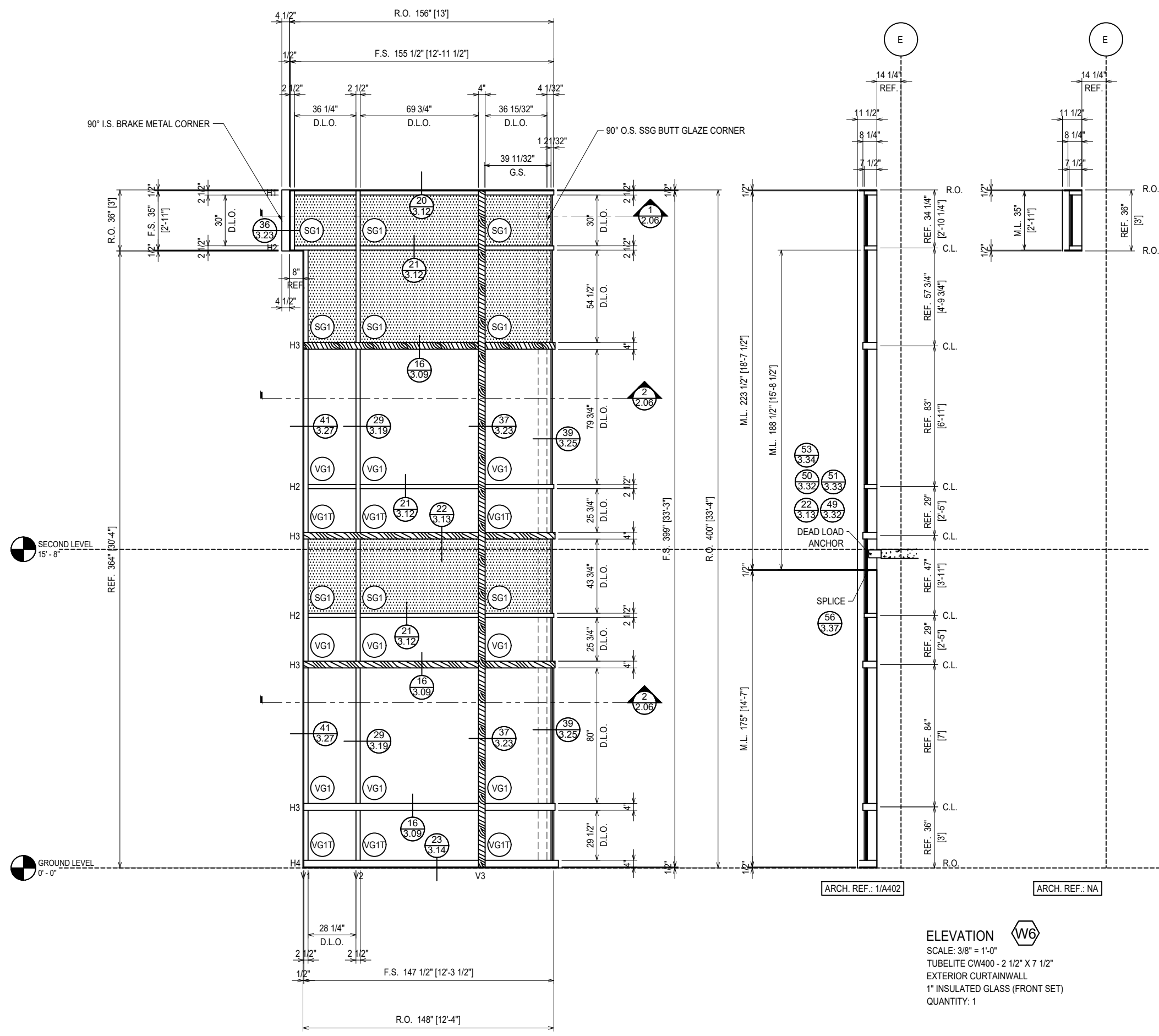
CLAYTON COMMERCIAL GLAZING  
 3210 US HIGHWAY 70W  
 SMITHFIELD, NC 27577  
 P: 919.550.4024

PROJECT: NORTH STATE BANK  
 LOCATION: 2413 BLUE RIDGE RD.  
 RALEIGH, NC 27607

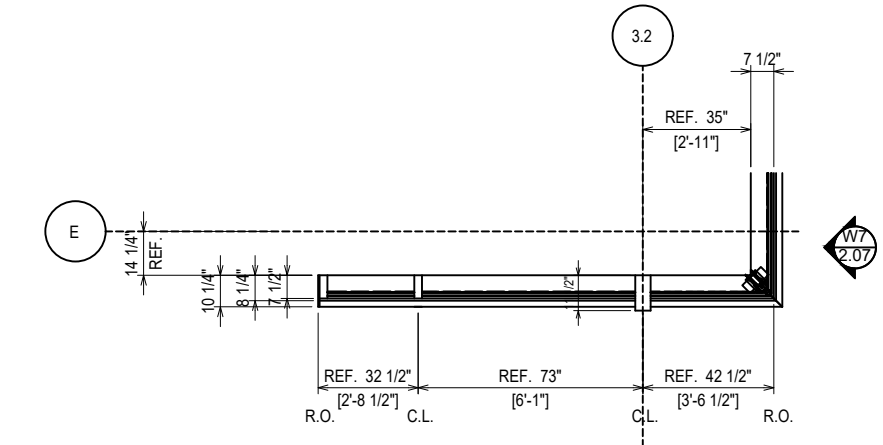
DRAWN BY:	DATE:
CW	03.21.22
CHECKED BY:	DATE:
BT	03.21.22

JOB NO.:  
 2.06

**\*\*ARCHITECT/GC NOTES\*\*:**  
 CLAYTON COMMERCIAL GLAZING HAS ATTEMPTED TO GIVE REFERENCE DIMENSIONS AS IT PERTAINS TO THE CENTERLINE OF THE COLUMN WITH RELATIONSHIP TO THE CURTAINWALL/STOREFRONT SYSTEMS. PLEASE REVIEW AND CONFIRM/CORRECT THESE REFERENCE DIMENSIONS AS IT IS CRUCIAL TO THE INSTALLATION OF THESE WINDOW SYSTEMS.



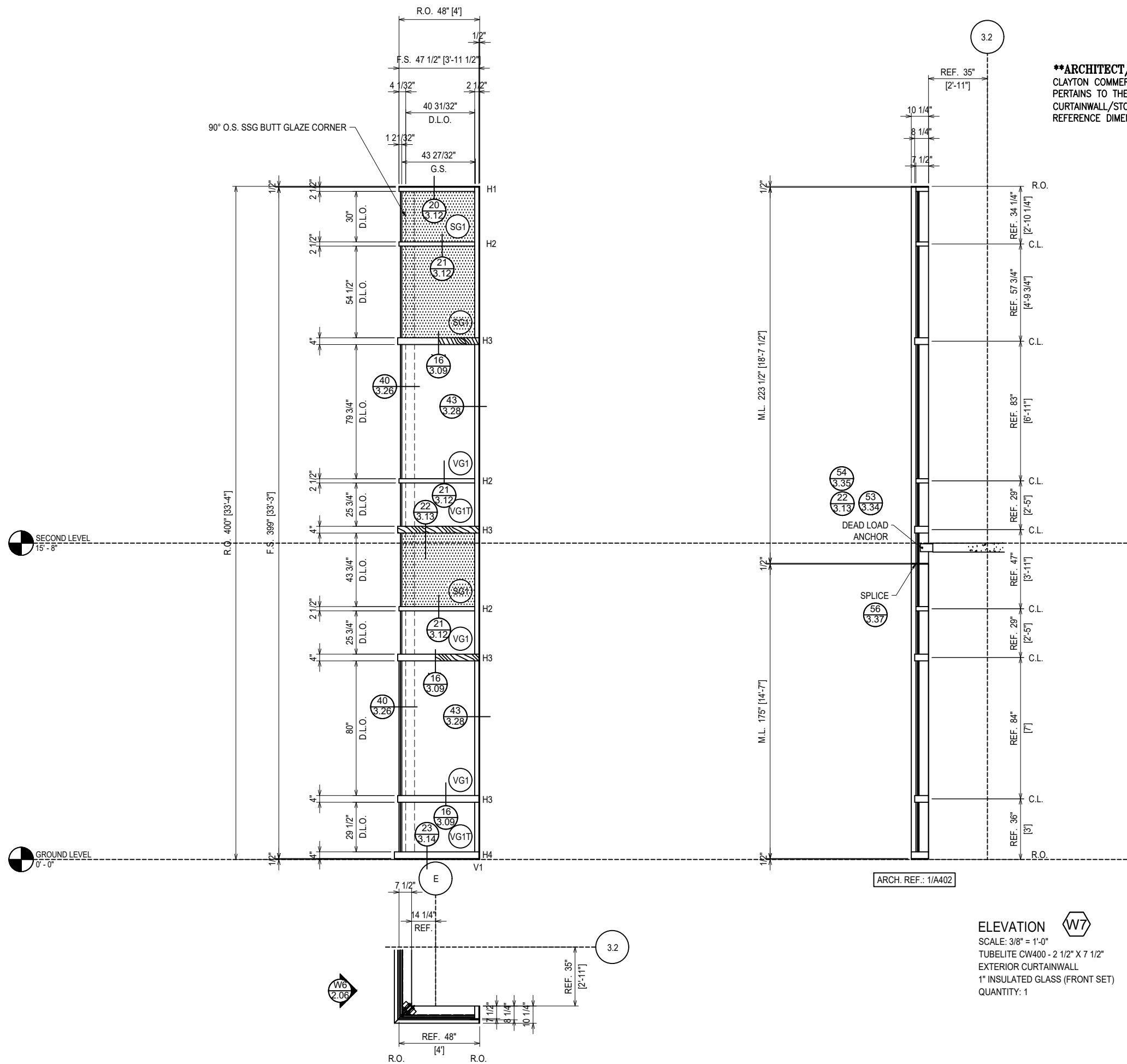
1 UPPER PLAN VIEW  
 SCALE: 3/8" = 1'-0"



2 PLAN VIEW  
 SCALE: 3/8" = 1'-0"

ELEVATION W6  
 SCALE: 3/8" = 1'-0"  
 TUBELITE CW400 - 2 1/2" X 7 1/2"  
 EXTERIOR CURTAINWALL  
 1" INSULATED GLASS (FRONT SET)  
 QUANTITY: 1

ERECTOR / G.C. NOTE:  
 PLEASE FIELD VERIFY ALL DIMENSIONS



**\*\*ARCHITECT/GC NOTES\*\*:**  
 CLAYTON COMMERCIAL GLAZING HAS ATTEMPTED TO GIVE REFERENCE DIMENSIONS AS IT PERTAINS TO THE CENTERLINE OF THE COLUMN WITH RELATIONSHIP TO THE CURTAINWALL/STOREFRONT SYSTEMS. PLEASE REVIEW AND CONFIRM/CORRECT THESE REFERENCE DIMENSIONS AS IT IS CRUCIAL TO THE INSTALLATION OF THESE WINDOW SYSTEMS.

**ELEVATION** W7  
 SCALE: 3/8" = 1'-0"  
 TUBELITE CW400 - 2 1/2" X 7 1/2"  
 EXTERIOR CURTAINWALL  
 1" INSULATED GLASS (FRONT SET)  
 QUANTITY: 1

ERECTOR / G.C. NOTE:  
 PLEASE FIELD VERIFY ALL DIMENSIONS

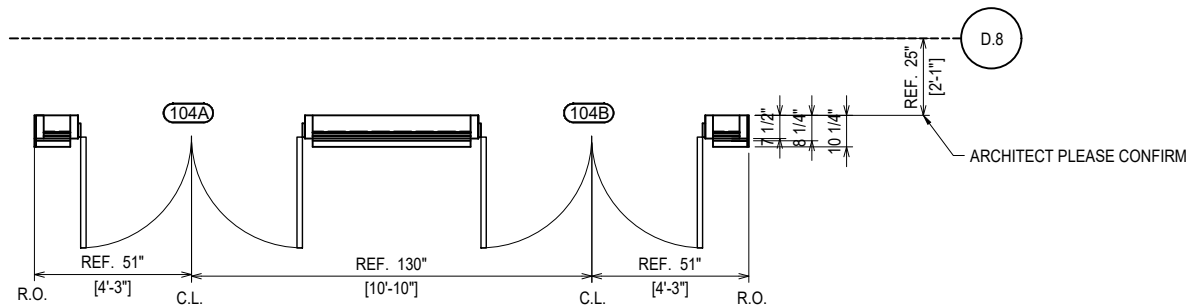
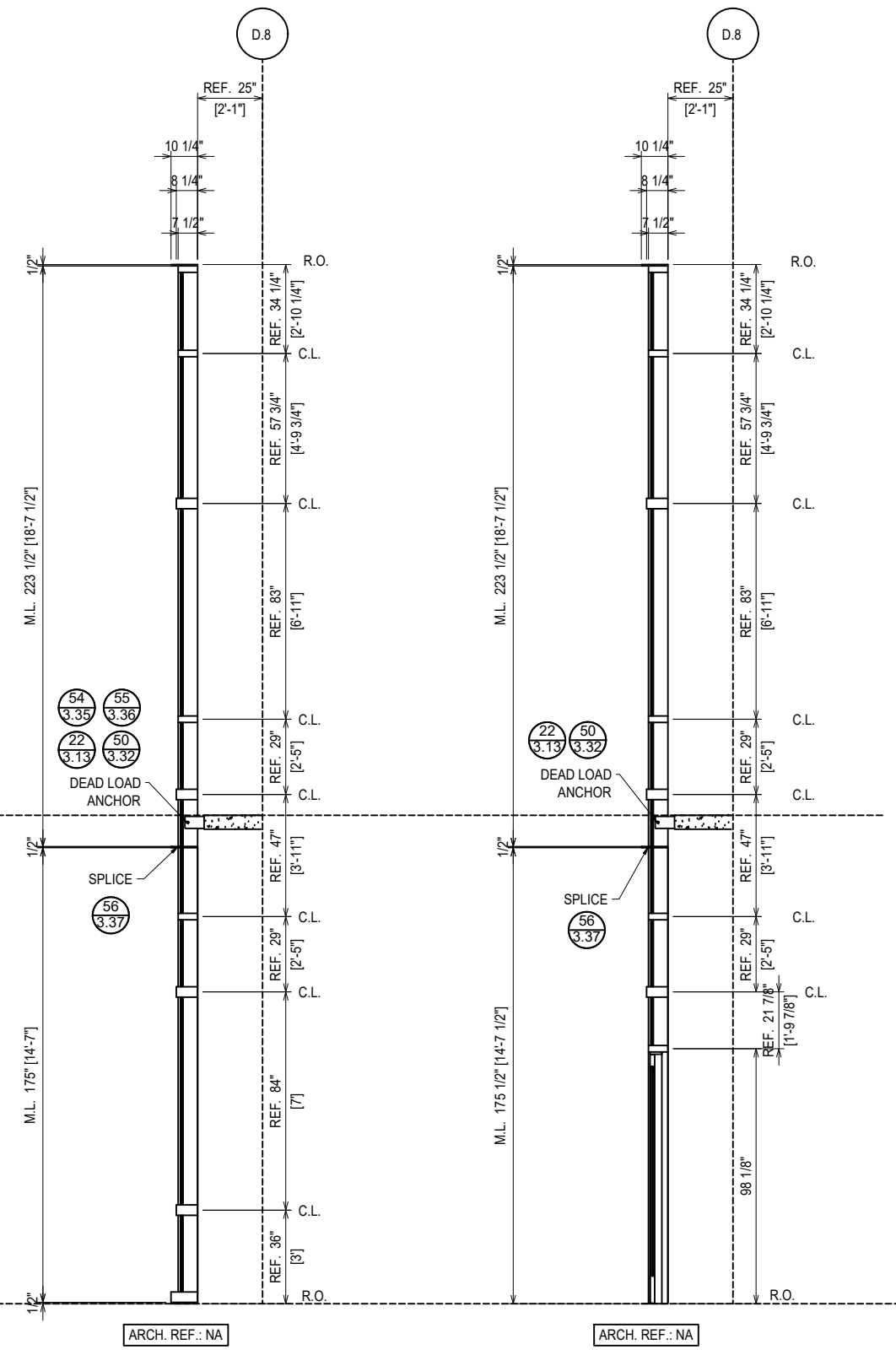
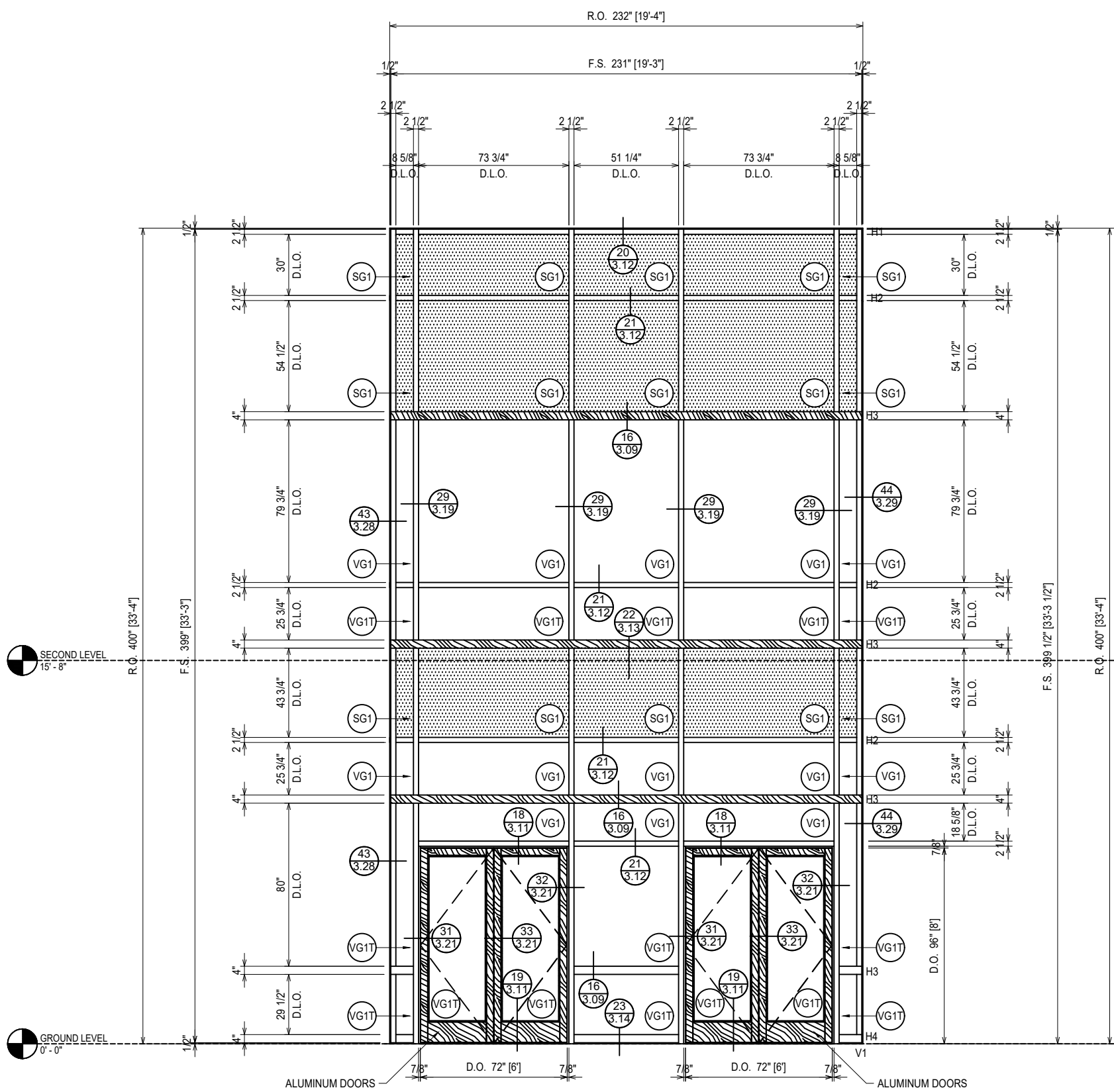
NO	DESCRIPTION	DATE
1ST	SUBMISSION	03.21.22
1ST	REVISION	05.13.22

**CLAYTON COMMERCIAL GLAZING**  
**3210 US HIGHWAY 70W**  
**SMITHFIELD, NC 27577**  
**P: 919.550.4024**

PROJECT: NORTH STATE BANK  
 LOCATION: 2413 BLUE RIDGE RD.  
 RALEIGH, NC 27607

DRAWN BY:	DATE:
CW	03.21.22
CHECKED BY:	DATE:
BT	03.21.22
JOB NO.:	

2.07



**ELEVATION** W8  
 SCALE: 3/8" = 1'-0"  
 TUBELITE CW400 - 2 1/2" X 7 1/2"  
 EXTERIOR CURTAINWALL  
 1" INSULATED GLASS (FRONT SET)  
 QUANTITY: 1

**\*\*ARCHITECT/GC NOTES\*\*:**  
 CLAYTON COMMERCIAL GLAZING HAS ATTEMPTED TO GIVE REFERENCE DIMENSIONS AS IT PERTAINS TO THE CENTERLINE OF THE COLUMN WITH RELATIONSHIP TO THE CURTAINWALL/STOREFRONT SYSTEMS. PLEASE REVIEW AND CONFIRM/CORRECT THESE REFERENCE DIMENSIONS AS IT IS CRUCIAL TO THE INSTALLATION OF THESE WINDOW SYSTEMS.

ERECTOR/ G.C. NOTE:  
 PLEASE FIELD VERIFY ALL DIMENSIONS

NO	DESCRIPTION	DATE
1ST REVISION	1ST SUBMISSION	05.13.22
1ST SUBMISSION		03.21.22

**CLAYTON COMMERCIAL GLAZING**  
 3210 US HIGHWAY 70W  
 SMITHFIELD, NC 27577  
 P: 919.550.4024

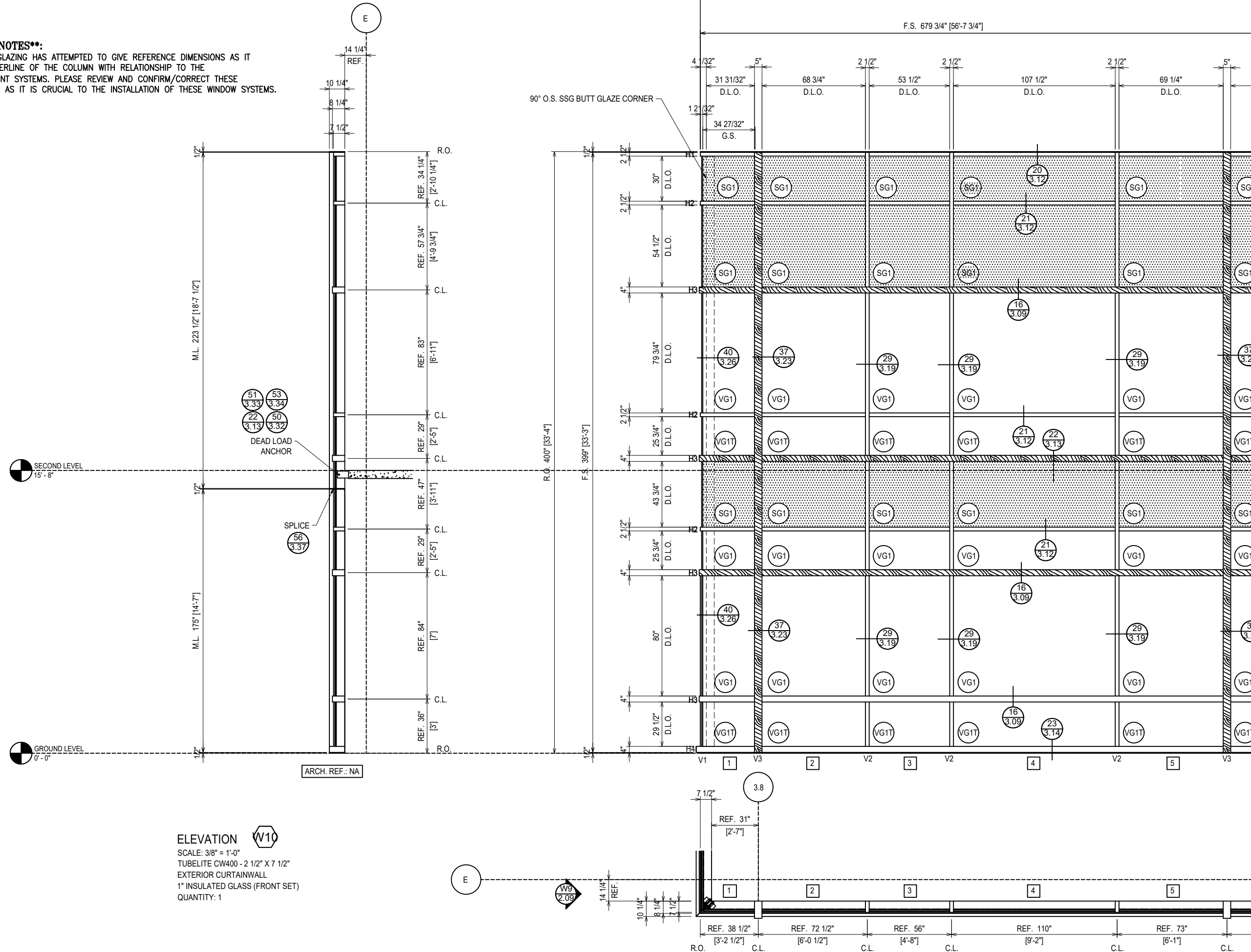
PROJECT: NORTH STATE BANK  
 LOCATION: 2413 BLUE RIDGE RD.  
 RALEIGH, NC 27607

DRAWN BY:	DATE:
CW	03.21.22
CHECKED BY:	DATE:
BT	03.21.22
JOB NO.:	



**\*\*ARCHITECT/GC NOTES\*\*:**

CLAYTON COMMERCIAL GLAZING HAS ATTEMPTED TO GIVE REFERENCE DIMENSIONS AS IT PERTAINS TO THE CENTERLINE OF THE COLUMN WITH RELATIONSHIP TO THE CURTAINWALL/STOREFRONT SYSTEMS. PLEASE REVIEW AND CONFIRM/CORRECT THESE REFERENCE DIMENSIONS AS IT IS CRUCIAL TO THE INSTALLATION OF THESE WINDOW SYSTEMS.



**ELEVATION** W10  
 SCALE: 3/8" = 1'-0"  
 TUBELITE CW400 - 2 1/2" X 7 1/2"  
 EXTERIOR CURTAINWALL  
 1" INSULATED GLASS (FRONT SET)  
 QUANTITY: 1

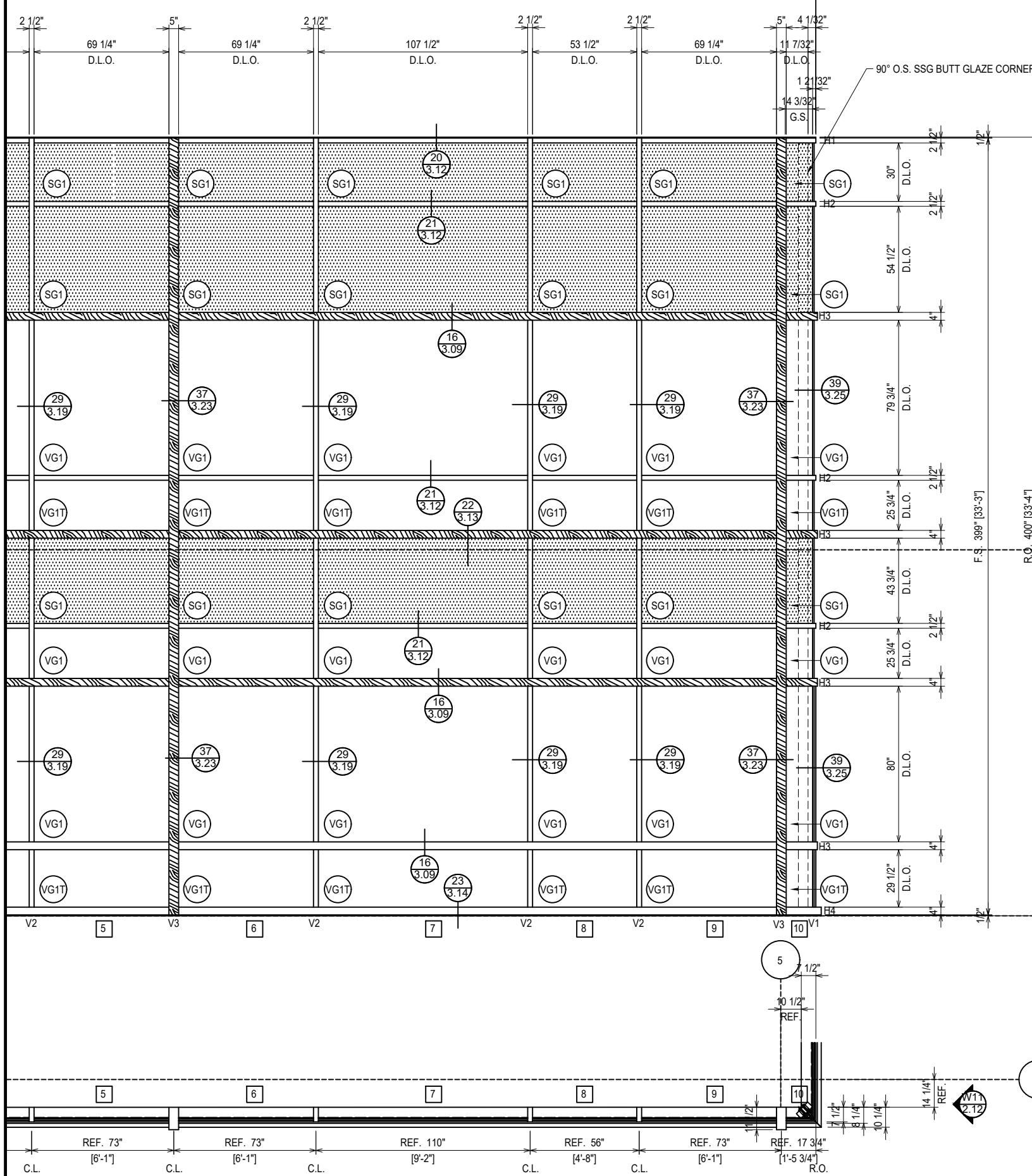
ERECTOR / G.C. NOTE:  
 PLEASE FIELD VERIFY ALL DIMENSIONS

PROJECT:	NORTH STATE BANK
LOCATION:	2413 BLUE RIDGE RD. RALEIGH, NC 27607
NO.	
DESCRIPTION	
DRAWING SUBMISSION	
DATE	
1ST SUBMISSION	03.21.22
1ST REVISION	05.13.22
CLAYTON COMMERCIAL GLAZING 3210 US HIGHWAY 70W SMITHFIELD, NC 27577 P: 919.550.4024	
DRAWN BY:	CW
DATE:	03.21.22
CHECKED BY:	BT
DATE:	03.21.22
JOB NO.:	2.10

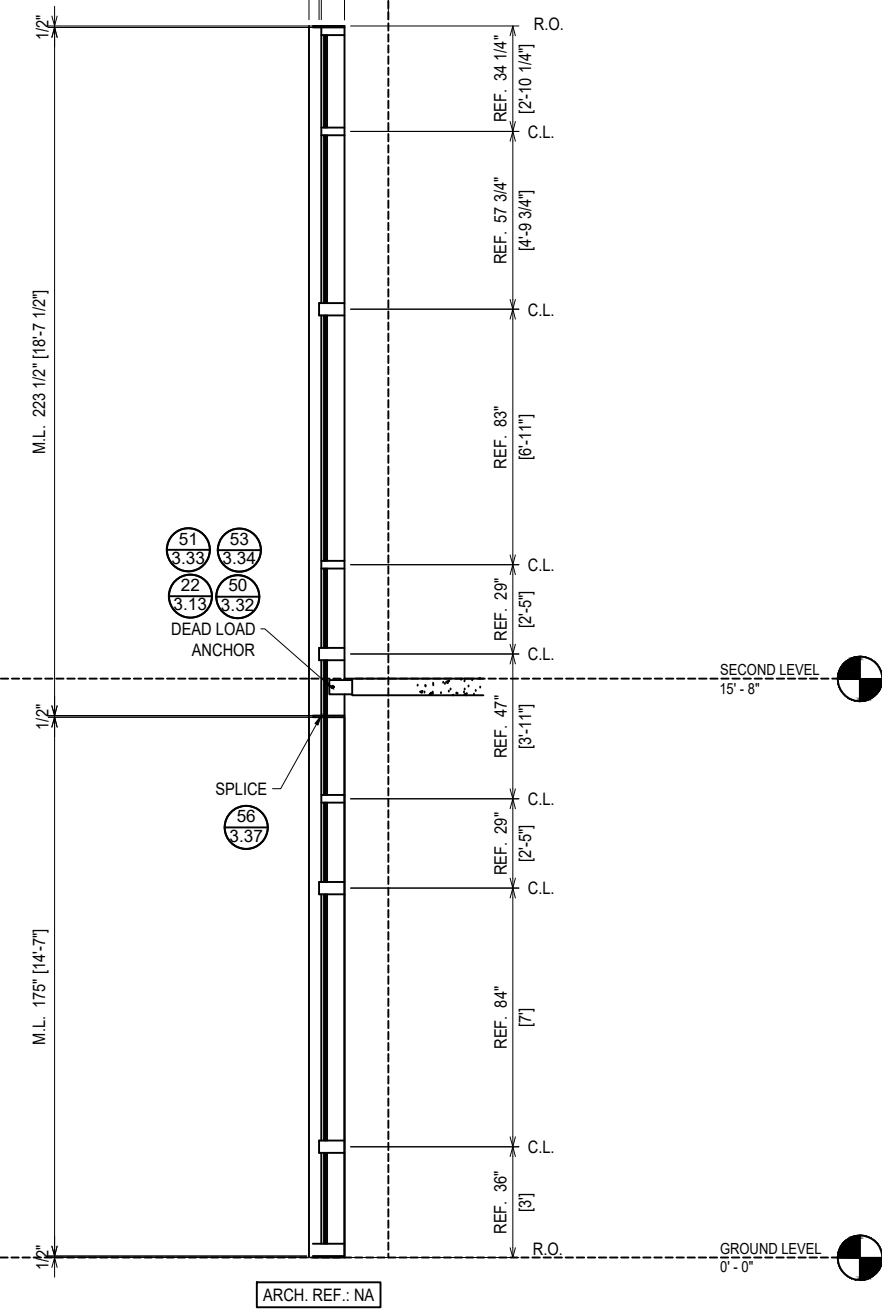


R.O. 679 3/4" [56'-7 3/4"]

F.S. 679 3/4" [56'-7 3/4"]



**\*\*ARCHITECT/GC NOTES\*\*:**  
 CLAYTON COMMERCIAL GLAZING HAS ATTEMPTED TO GIVE REFERENCE DIMENSIONS AS IT PERTAINS TO THE CENTERLINE OF THE COLUMN WITH RELATIONSHIP TO THE CURTAINWALL/STOREFRONT SYSTEMS. PLEASE REVIEW AND CONFIRM/CORRECT THESE REFERENCE DIMENSIONS AS IT IS CRUCIAL TO THE INSTALLATION OF THESE WINDOW SYSTEMS.



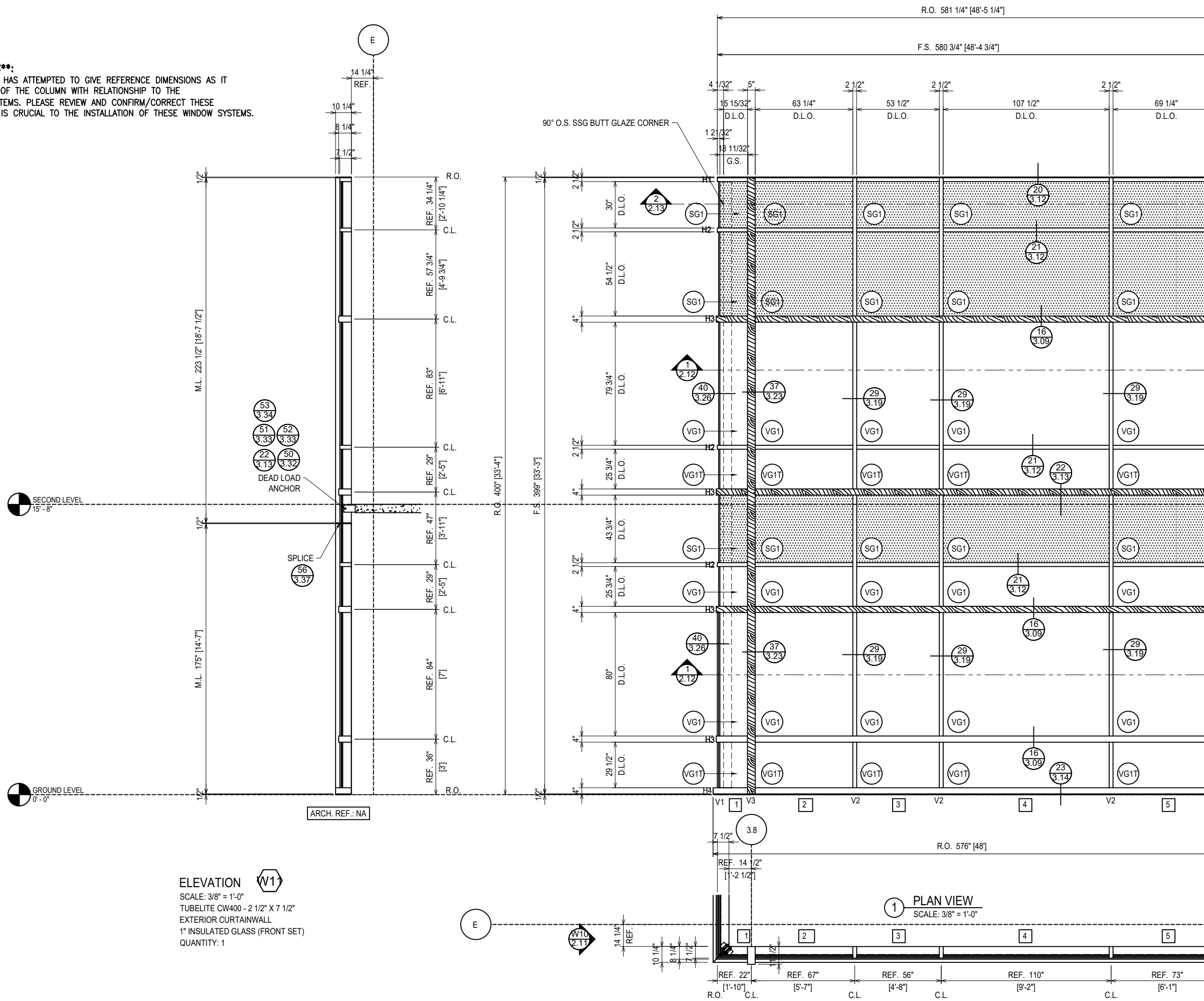
**ELEVATION W10**  
 SCALE: 3/8" = 1'-0"  
 TUBELITE CW400 - 2 1/2" X 7 1/2"  
 EXTERIOR CURTAINWALL  
 1" INSULATED GLASS (FRONT SET)  
 QUANTITY: 1

**ERECTOR / G.C. NOTE:**  
 PLEASE FIELD VERIFY ALL DIMENSIONS

PROJECT:	NORTH STATE BANK
LOCATION:	2413 BLUE RIDGE RD. RALEIGH, NC 27607
DATE:	03.21.22
DESCRIPTION:	CLAYTON COMMERCIAL GLAZING 3210 US HIGHWAY 70W SMITHFIELD, NC 27577 P: 919.550.4024
NO.	2.11
DATE:	03.21.22
DESCRIPTION:	1ST REVISION
DATE:	03.21.22
DESCRIPTION:	1ST SUBMISSION
DATE:	03.21.22
DESCRIPTION:	DRAWING SUBMISSION

**\*\*ARCHITECT/GC NOTES\*\*:**

CLAYTON COMMERCIAL GLAZING HAS ATTEMPTED TO GIVE REFERENCE DIMENSIONS AS IT PERTAINS TO THE CENTERLINE OF THE COLUMN WITH RELATIONSHIP TO THE CURTAINWALL/STOREFRONT SYSTEMS. PLEASE REVIEW AND CONFIRM/CORRECT THESE REFERENCE DIMENSIONS AS IT IS CRUCIAL TO THE INSTALLATION OF THESE WINDOW SYSTEMS.



**ELEVATION W1**  
 SCALE: 3/8" = 1'-0"  
 TUBELITE CW400 - 2 1/2" X 7 1/2"  
 EXTERIOR CURTAINWALL  
 1" INSULATED GLASS (FRONT SET)  
 QUANTITY: 1

**1 PLAN VIEW**  
 SCALE: 3/8" = 1'-0"

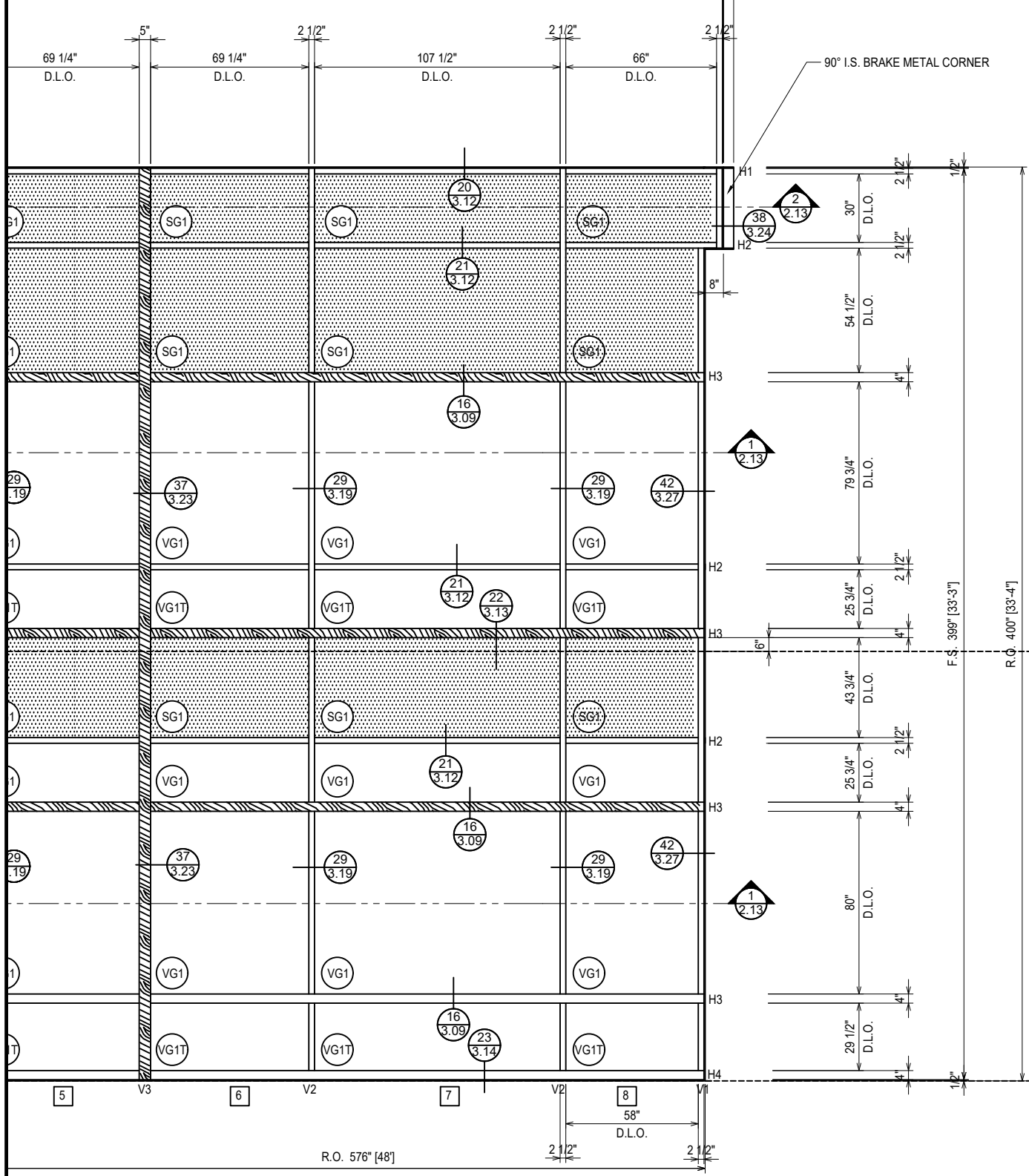
ERECTOR / G.C. NOTE:  
 PLEASE FIELD VERIFY ALL DIMENSIONS

PROJECT:	NORTH STATE BANK
LOCATION:	2413 BLUE RIDGE RD. RALEIGH, NC 27607
NO.	NO
DESCRIPTION	DESCRIPTION
DATE	DATE
1ST REVISION	05.13.22
1ST SUBMISSION	03.21.22
DRAWING SUBMISSION	
CLAYTON COMMERCIAL GLAZING 3210 US HIGHWAY 70W SMITHFIELD, NC 27577 P: 919.550.4024	
DATE:	03.21.22
CW	BT
DATE:	03.21.22
BT	
JOB NO.:	2.12

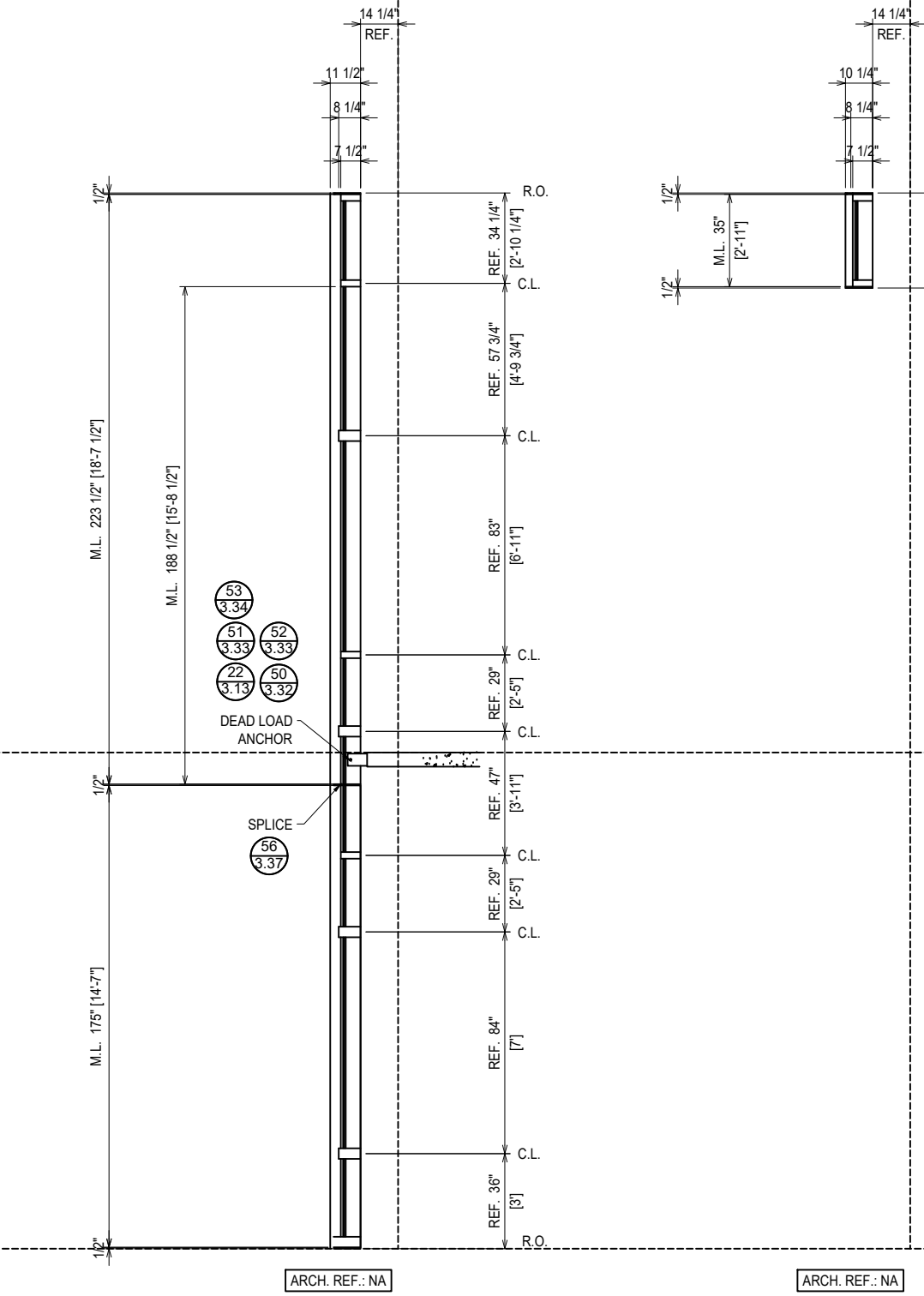
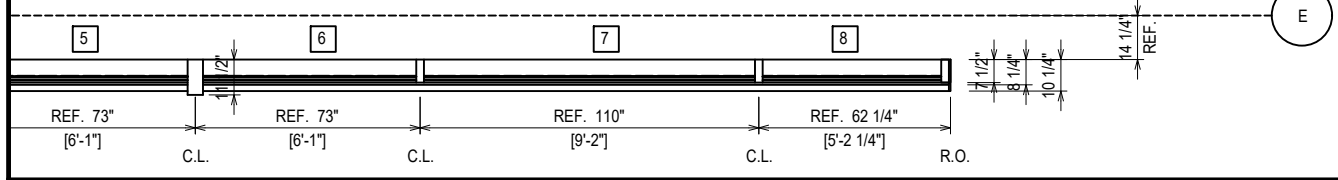
R.O. 581 1/4" [48'-5 1/4"]

F.S. 580 3/4" [48'-4 3/4"]

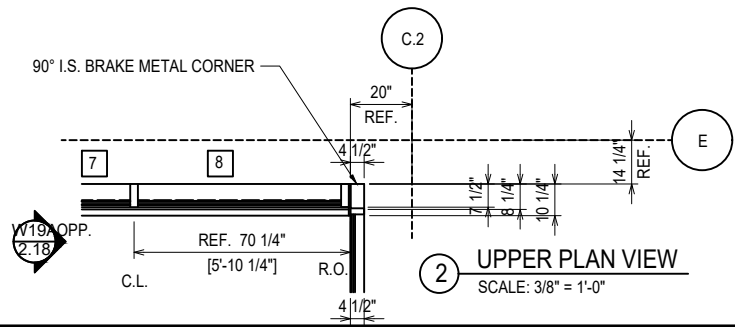
**\*\*ARCHITECT/GC NOTES\*\*:**  
CLAYTON COMMERCIAL GLAZING HAS ATTEMPTED TO GIVE REFERENCE DIMENSIONS AS IT PERTAINS TO THE CENTERLINE OF THE COLUMN WITH RELATIONSHIP TO THE CURTAINWALL/STOREFRONT SYSTEMS. PLEASE REVIEW AND CONFIRM/CORRECT THESE REFERENCE DIMENSIONS AS IT IS CRUCIAL TO THE INSTALLATION OF THESE WINDOW SYSTEMS.



1 PLAN VIEW  
SCALE: 3/8" = 1'-0"



ELEVATION W1  
SCALE: 3/8" = 1'-0"  
TUBELITE CW400 - 2 1/2" X 7 1/2"  
EXTERIOR CURTAINWALL  
1" INSULATED GLASS (FRONT SET)  
QUANTITY: 1



2 UPPER PLAN VIEW  
SCALE: 3/8" = 1'-0"



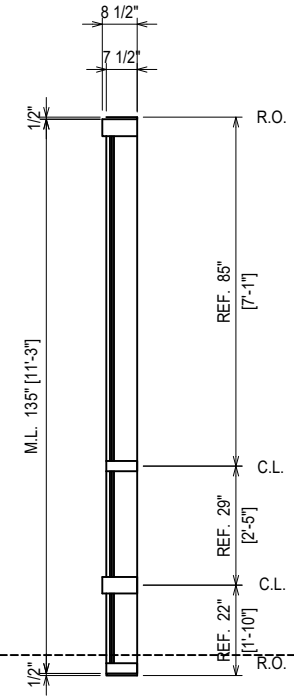
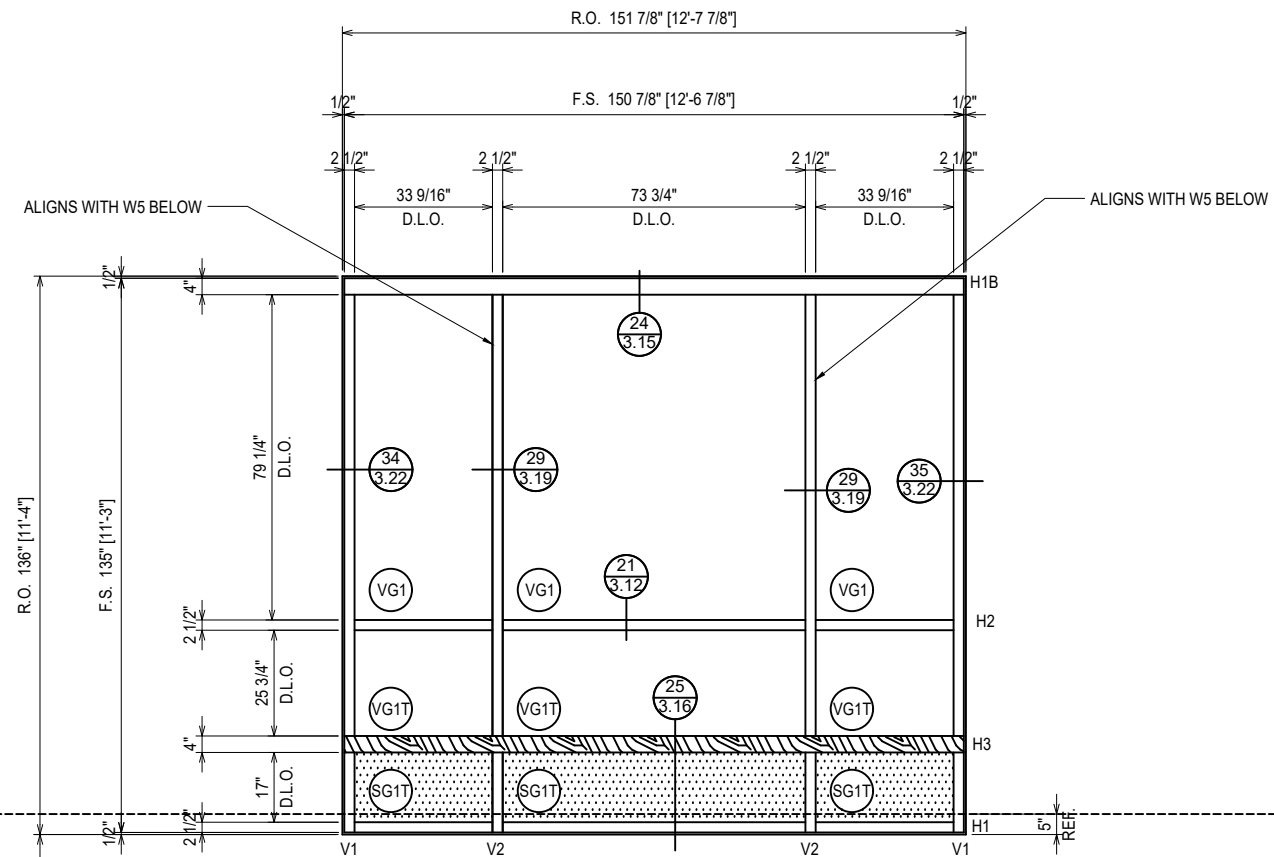
ERECTOR / G.C. NOTE:  
PLEASE FIELD VERIFY ALL DIMENSIONS

NO	DESCRIPTION	DATE
1ST REVISION	1ST SUBMISSION	05.13.22
		03.21.22

CLAYTON COMMERCIAL GLAZING  
3210 US HIGHWAY 70W  
SMITHFIELD, NC 27577  
P: 919.550.4024

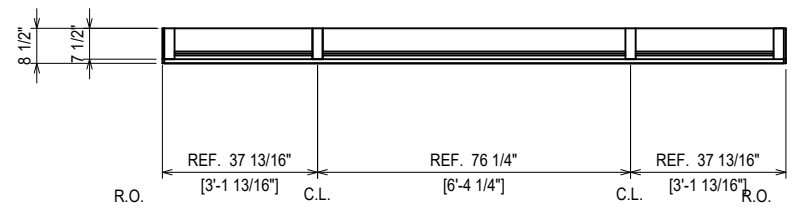
PROJECT:	NORTH STATE BANK
LOCATION:	2413 BLUE RIDGE RD. RALEIGH, NC 27607

DRAWN BY:	DATE:
CW	03.21.22
CHECKED BY:	DATE:
BT	03.21.22
JOB NO.:	



REF. 183\"/>

ARCH. REF.: 2/A402



**ELEVATION**   
 SCALE: 1/2" = 1'-0"  
 TUBELITE CW400 - 2 1/2" X 7 1/2"  
 EXTERIOR CURTAINWALL  
 1" INSULATED GLASS (FRONT SET)  
 QUANTITY: 1

ERECTOR / G.C. NOTE:  
 PLEASE FIELD VERIFY ALL DIMENSIONS

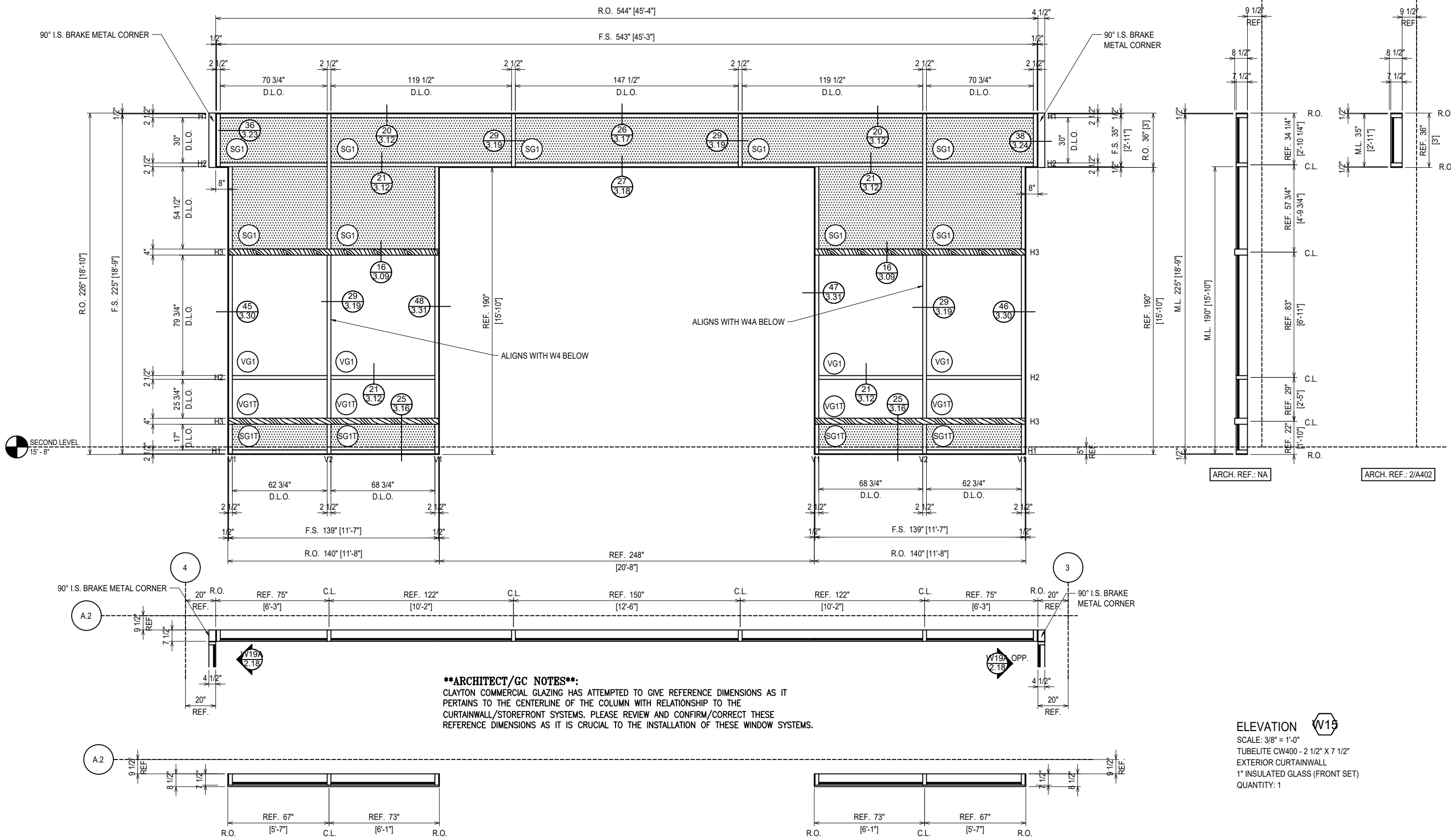
NO.	DESCRIPTION	DATE
1ST SUBMISSION		03.21.22
1ST REVISION		05.13.22

**CLAYTON COMMERCIAL GLAZING**  
**3210 US HIGHWAY 70W**  
**SMITHFIELD, NC 27577**  
**P: 919.550.4024**

PROJECT:	NORTH STATE BANK
LOCATION:	2413 BLUE RIDGE RD. RALEIGH, NC 27607

DRAWN BY:	DATE:
CW	03.21.22
CHECKED BY:	DATE:
BT	03.21.22

JOB NO.:  
**2.14**



**\*\*ARCHITECT/GC NOTES\*\*:**  
 CLAYTON COMMERCIAL GLAZING HAS ATTEMPTED TO GIVE REFERENCE DIMENSIONS AS IT PERTAINS TO THE CENTERLINE OF THE COLUMN WITH RELATIONSHIP TO THE CURTAINWALL/STOREFRONT SYSTEMS. PLEASE REVIEW AND CONFIRM/CORRECT THESE REFERENCE DIMENSIONS AS IT IS CRUCIAL TO THE INSTALLATION OF THESE WINDOW SYSTEMS.

**ELEVATION** V15  
 SCALE: 3/8" = 1'-0"  
 TUBELITE CW400 - 2 1/2" X 7 1/2"  
 EXTERIOR CURTAINWALL  
 1" INSULATED GLASS (FRONT SET)  
 QUANTITY: 1

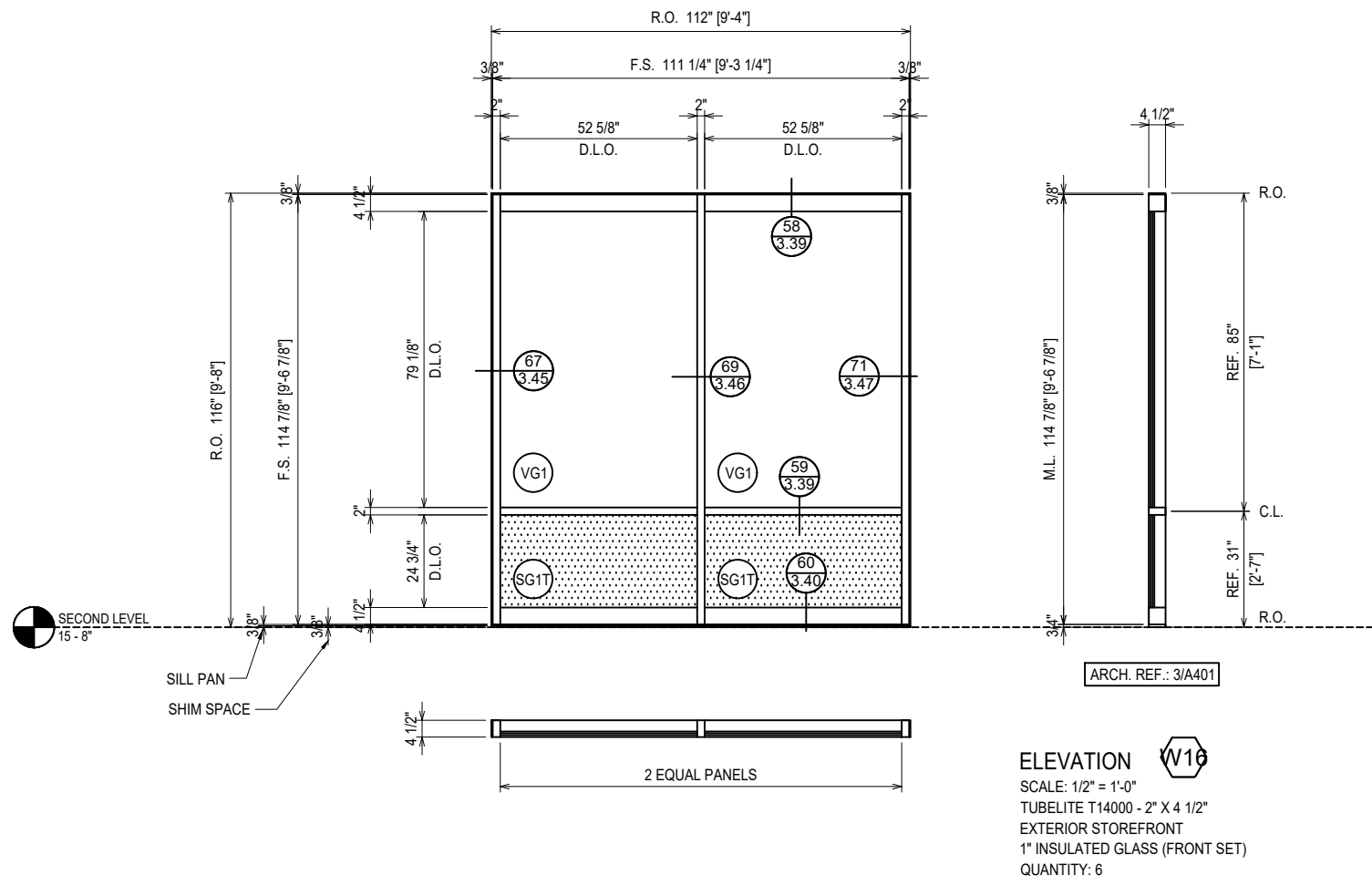
NO	DESCRIPTION	DATE
1ST	REVISION	05.13.22
1ST	SUBMISSION	03.21.22

**CLAYTON COMMERCIAL GLAZING**  
**3210 US HIGHWAY 70W**  
**SMITHFIELD, NC 27577**  
**P: 919.550.4024**

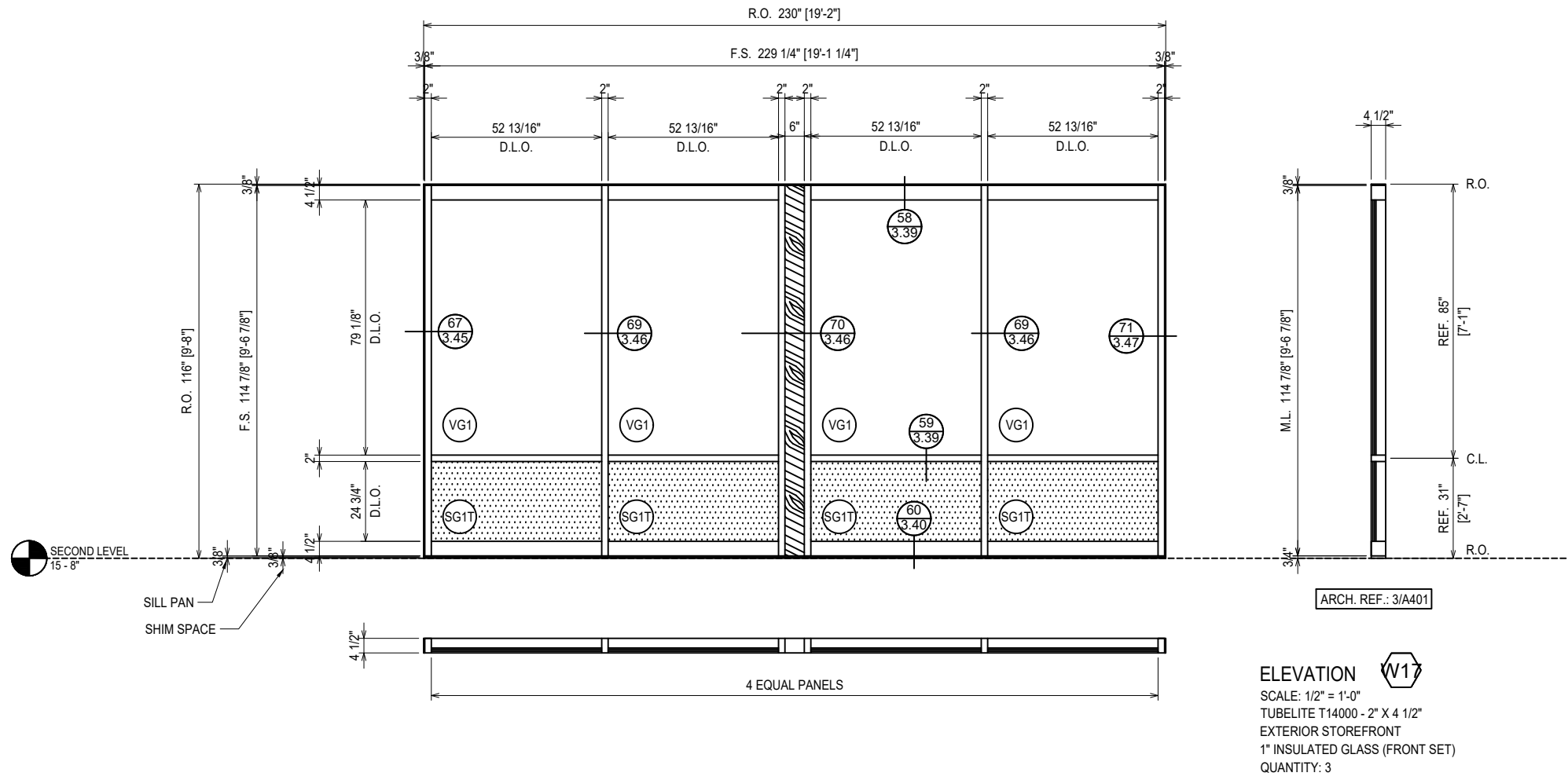
PROJECT:	NORTH STATE BANK
LOCATION:	2413 BLUE RIDGE RD. RALEIGH, NC 27607

DRAWN BY:	DATE:
CW	03.21.22
CHECKED BY:	DATE:
BT	03.21.22
JOB NO.:	

**ERECTOR / G.C. NOTE:**  
 PLEASE FIELD VERIFY ALL DIMENSIONS



**ELEVATION W16**  
 SCALE: 1/2" = 1'-0"  
 TUBELITE T14000 - 2" X 4 1/2"  
 EXTERIOR STOREFRONT  
 1" INSULATED GLASS (FRONT SET)  
 QUANTITY: 6



**ELEVATION W17**  
 SCALE: 1/2" = 1'-0"  
 TUBELITE T14000 - 2" X 4 1/2"  
 EXTERIOR STOREFRONT  
 1" INSULATED GLASS (FRONT SET)  
 QUANTITY: 3

ERECTOR / G.C. NOTE:  
 PLEASE FIELD VERIFY ALL DIMENSIONS

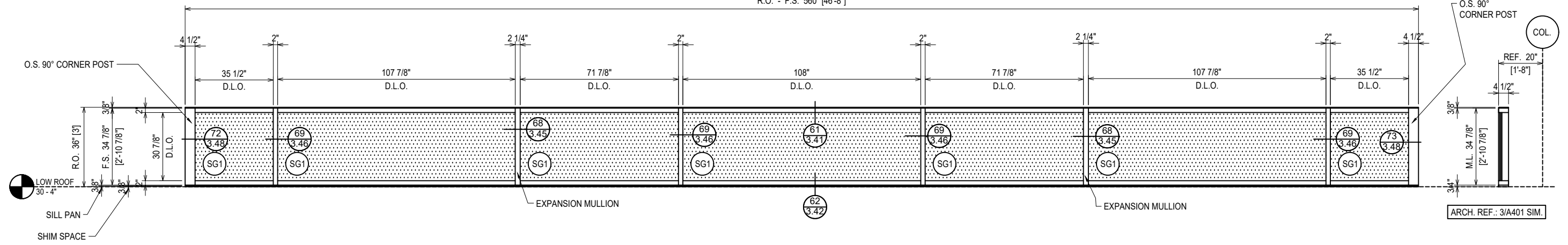
NO	DESCRIPTION	DATE
1ST REVISION	1ST SUBMISSION	05.13.22
		03.21.22

**CLAYTON COMMERCIAL GLAZING**  
 3210 US HIGHWAY 70W  
 SMITHFIELD, NC 27577  
 P: 919.550.4024

PROJECT:	NORTH STATE BANK
LOCATION:	2413 BLUE RIDGE RD. RALEIGH, NC 27607

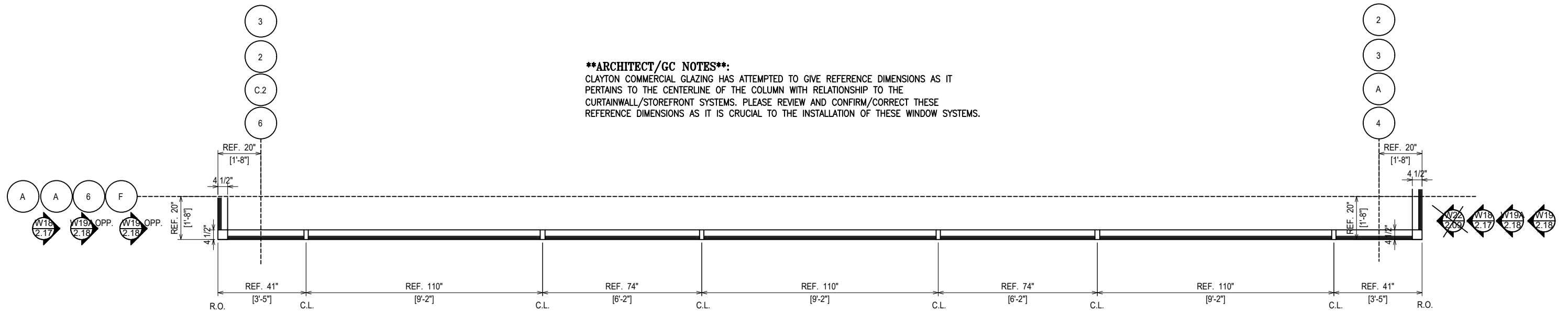
DRAWN BY:	DATE:
CW	03.21.22
CHECKED BY:	DATE:
BT	03.21.22
JOB NO.:	

R.O. - F.S. 560" [46'-8"]



**\*\*ARCHITECT/GC NOTES\*\*:**

CLAYTON COMMERCIAL GLAZING HAS ATTEMPTED TO GIVE REFERENCE DIMENSIONS AS IT PERTAINS TO THE CENTERLINE OF THE COLUMN WITH RELATIONSHIP TO THE CURTAINWALL/STOREFRONT SYSTEMS. PLEASE REVIEW AND CONFIRM/CORRECT THESE REFERENCE DIMENSIONS AS IT IS CRUCIAL TO THE INSTALLATION OF THESE WINDOW SYSTEMS.



ELEVATION **W18**  
 SCALE: 1/2" = 1'-0"  
 TUBELITE T14000 - 2" X 4 1/2"  
 EXTERIOR STOREFRONT  
 1" INSULATED GLASS (FRONT SET)  
 QUANTITY: 4

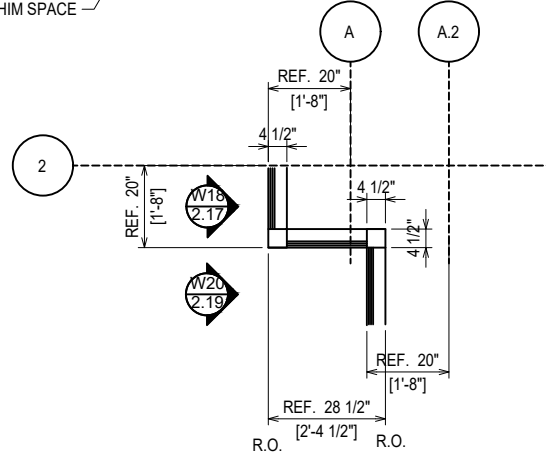
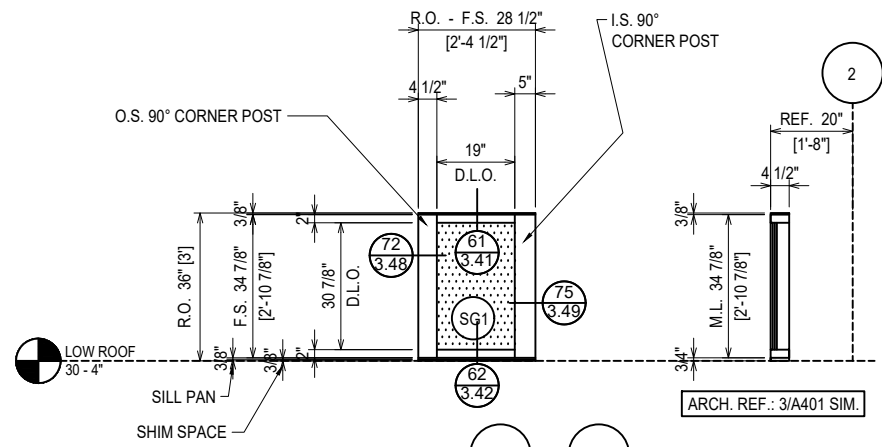
NO	DESCRIPTION	DATE
1ST REVISION		05.13.22
1ST SUBMISSION		03.21.22

CLAYTON COMMERCIAL GLAZING  
 3210 US HIGHWAY 70W  
 SMITHFIELD, NC 27577  
 P: 919.550.4024

PROJECT:	NORTH STATE BANK
LOCATION:	2413 BLUE RIDGE RD. RALEIGH, NC 27607

DRAWN BY:	DATE:
CW	03.21.22
CHECKED BY:	DATE:
BT	03.21.22
JOB NO.:	

ERECTOR / G.C. NOTE:  
 PLEASE FIELD VERIFY ALL DIMENSIONS

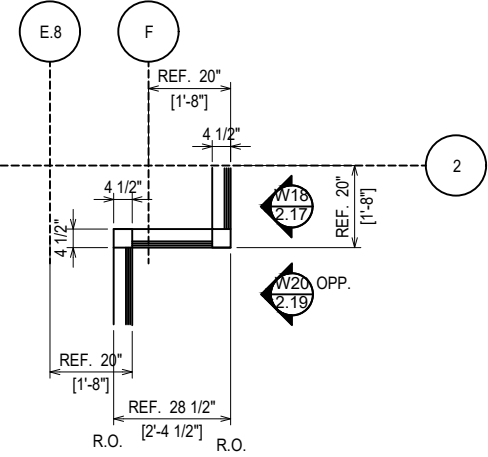
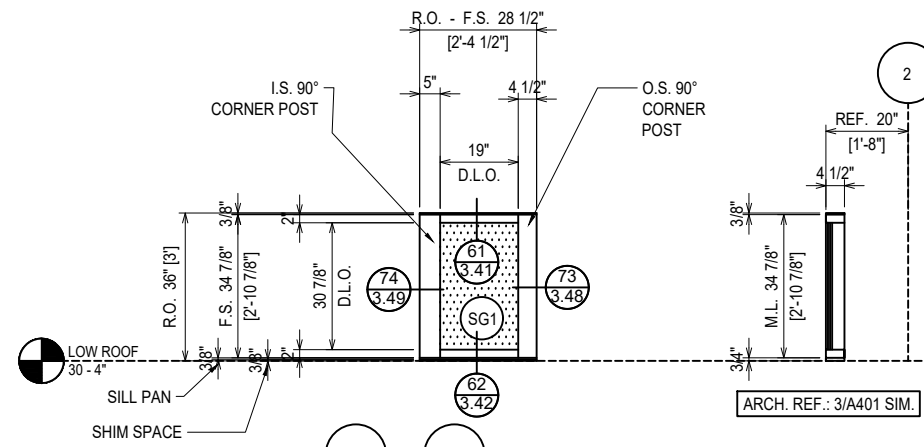


ELEVATION **W19**

SCALE: 1/2" = 1'-0"  
 TUBELITE T14000 - 2" X 4 1/2"  
 EXTERIOR STOREFRONT  
 1" INSULATED GLASS (FRONT SET)  
 QUANTITY: 1

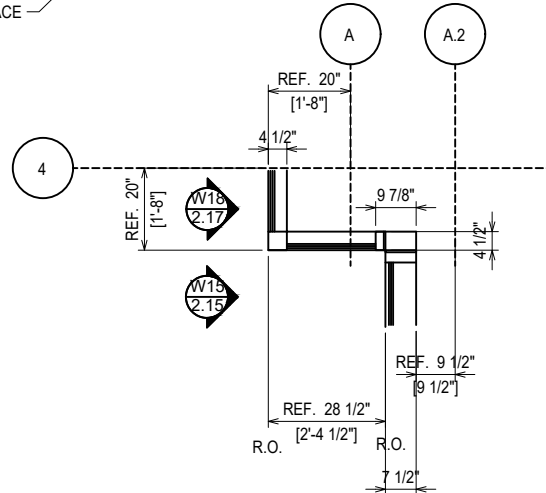
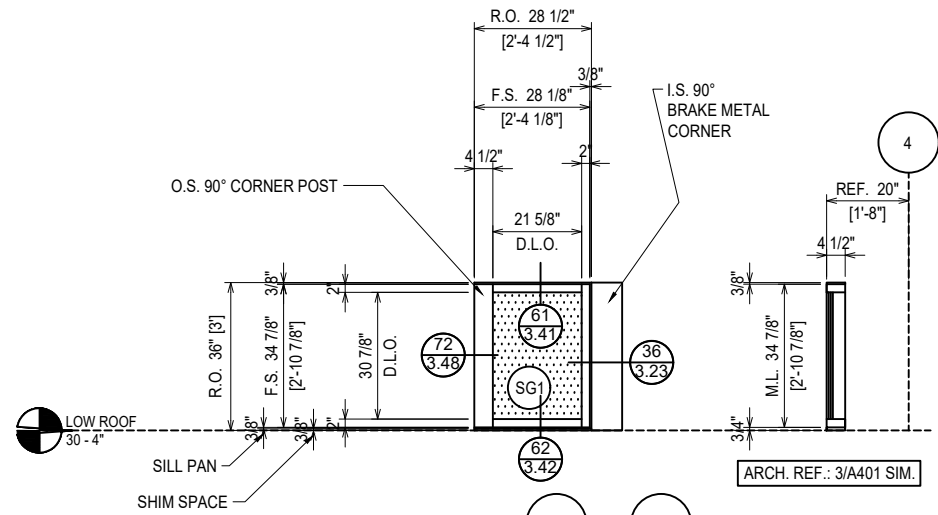
**\*\*ARCHITECT/GC NOTES\*\*:**

CLAYTON COMMERCIAL GLAZING HAS ATTEMPTED TO GIVE REFERENCE DIMENSIONS AS IT PERTAINS TO THE CENTERLINE OF THE COLUMN WITH RELATIONSHIP TO THE CURTAINWALL/STOREFRONT SYSTEMS. PLEASE REVIEW AND CONFIRM/CORRECT THESE REFERENCE DIMENSIONS AS IT IS CRUCIAL TO THE INSTALLATION OF THESE WINDOW SYSTEMS.



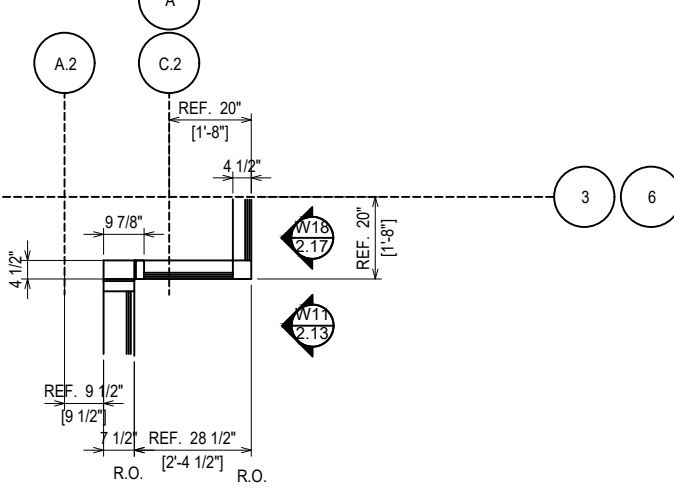
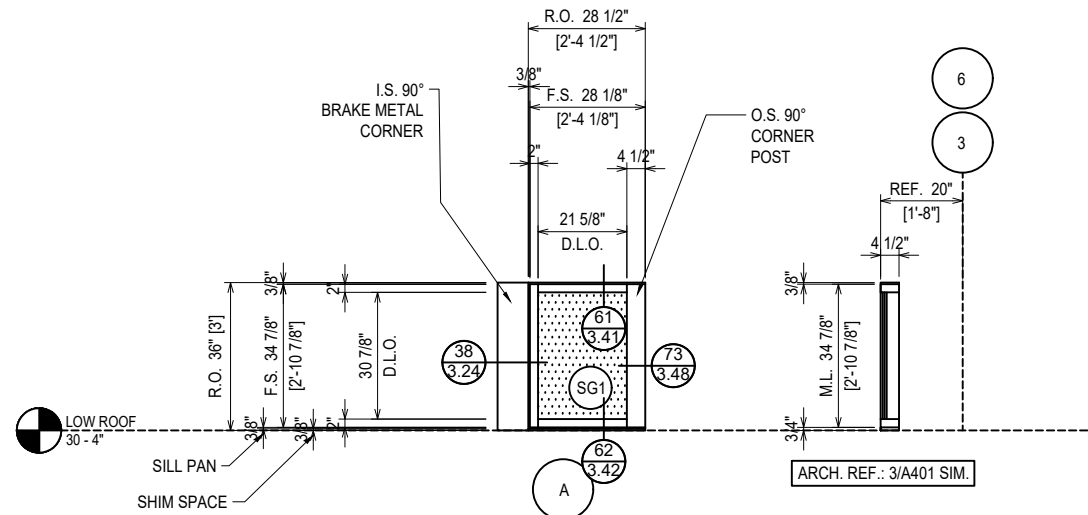
ELEVATION **W19 OPP.**

SCALE: 1/2" = 1'-0"  
 TUBELITE T14000 - 2" X 4 1/2"  
 EXTERIOR STOREFRONT  
 1" INSULATED GLASS (FRONT SET)  
 QUANTITY: 1



ELEVATION **W19A**

SCALE: 1/2" = 1'-0"  
 TUBELITE T14000 - 2" X 4 1/2"  
 EXTERIOR STOREFRONT  
 1" INSULATED GLASS (FRONT SET)  
 QUANTITY: 1



ELEVATION **W19A OPP.**

SCALE: 1/2" = 1'-0"  
 TUBELITE T14000 - 2" X 4 1/2"  
 EXTERIOR STOREFRONT  
 1" INSULATED GLASS (FRONT SET)  
 QUANTITY: 2

ERECTOR / G.C. NOTE:  
 PLEASE FIELD VERIFY ALL DIMENSIONS

NO	DESCRIPTION	DATE
1ST SUBMISSION	1ST SUBMISSION	03.21.22
1ST REVISION	1ST REVISION	05.13.22
DRAWING SUBMISSION		

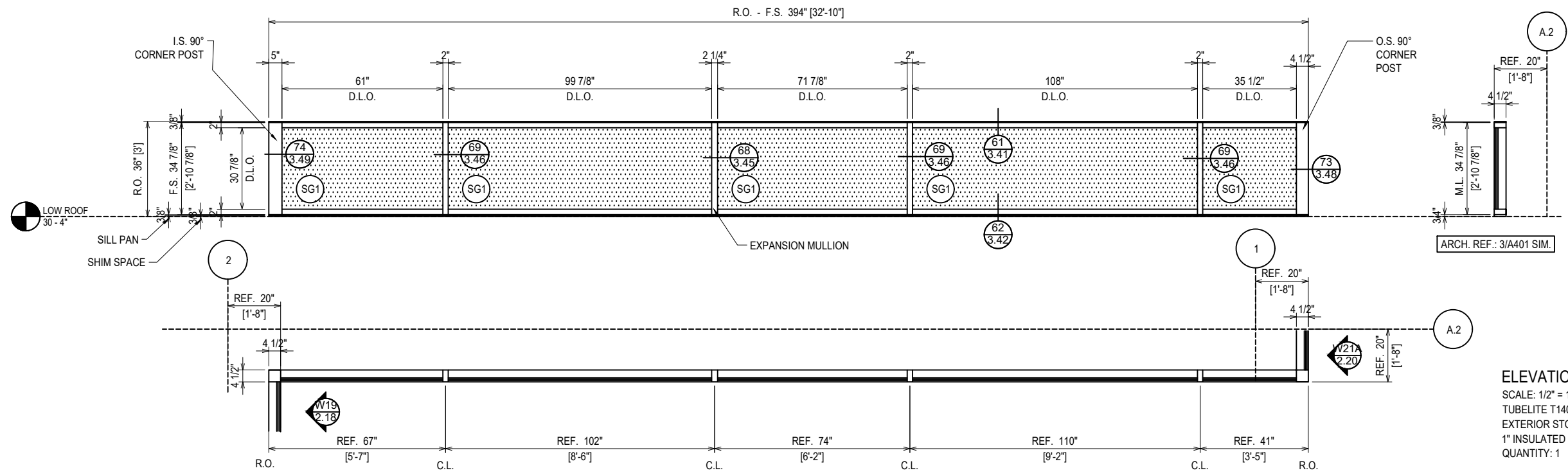
CLAYTON COMMERCIAL GLAZING  
 3210 US HIGHWAY 70W  
 SMITHFIELD, NC 27577  
 P: 919.550.4024

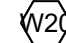
PROJECT:	NORTH STATE BANK
LOCATION:	2413 BLUE RIDGE RD. RALEIGH, NC 27607

DRAWN BY:	DATE:
CW	03.21.22
CHECKED BY:	DATE:
BT	03.21.22
JOB NO.:	

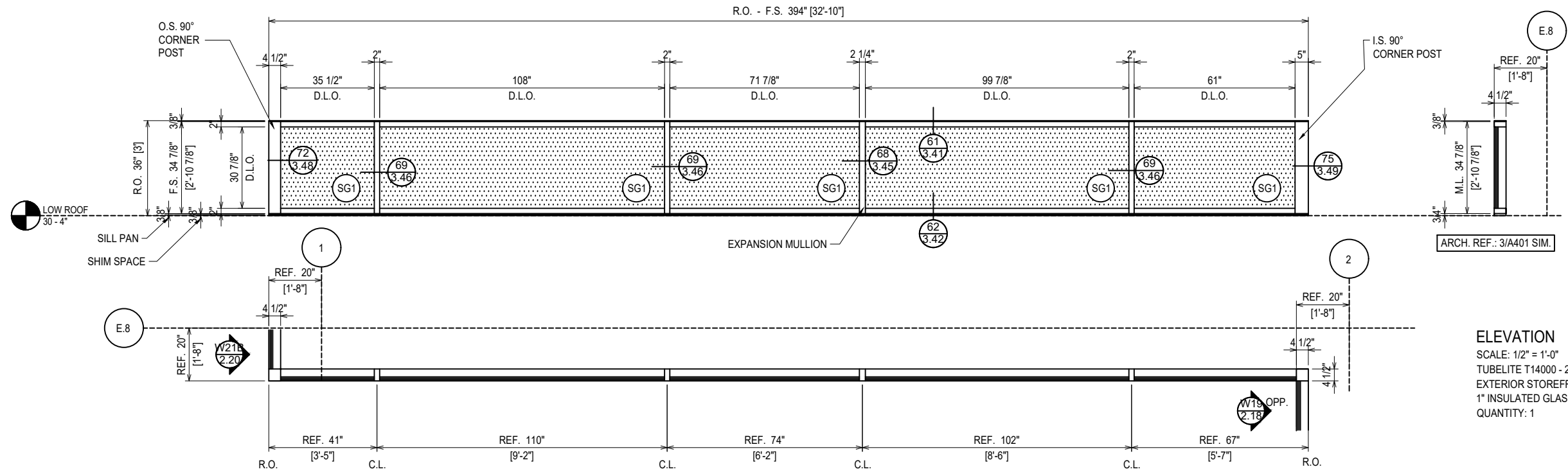
2.18





**ELEVATION**   
 SCALE: 1/2" = 1'-0"  
 TUBELITE T14000 - 2" X 4 1/2"  
 EXTERIOR STOREFRONT  
 1" INSULATED GLASS (FRONT SET)  
 QUANTITY: 1

**\*\*ARCHITECT/GC NOTES\*\*:**  
 CLAYTON COMMERCIAL GLAZING HAS ATTEMPTED TO GIVE REFERENCE DIMENSIONS AS IT PERTAINS TO THE CENTERLINE OF THE COLUMN WITH RELATIONSHIP TO THE CURTAINWALL/STOREFRONT SYSTEMS. PLEASE REVIEW AND CONFIRM/CORRECT THESE REFERENCE DIMENSIONS AS IT IS CRUCIAL TO THE INSTALLATION OF THESE WINDOW SYSTEMS.



**ELEVATION**   
 SCALE: 1/2" = 1'-0"  
 TUBELITE T14000 - 2" X 4 1/2"  
 EXTERIOR STOREFRONT  
 1" INSULATED GLASS (FRONT SET)  
 QUANTITY: 1

**ERECTOR / G.C. NOTE:**  
 PLEASE FIELD VERIFY ALL DIMENSIONS

NO	DESCRIPTION	DATE
1ST SUBMISSION		03.21.22
1ST REVISION		05.13.22

**CLAYTON COMMERCIAL GLAZING**  
**3210 US HIGHWAY 70W**  
**SMITHFIELD, NC 27577**  
**P: 919.550.4024**

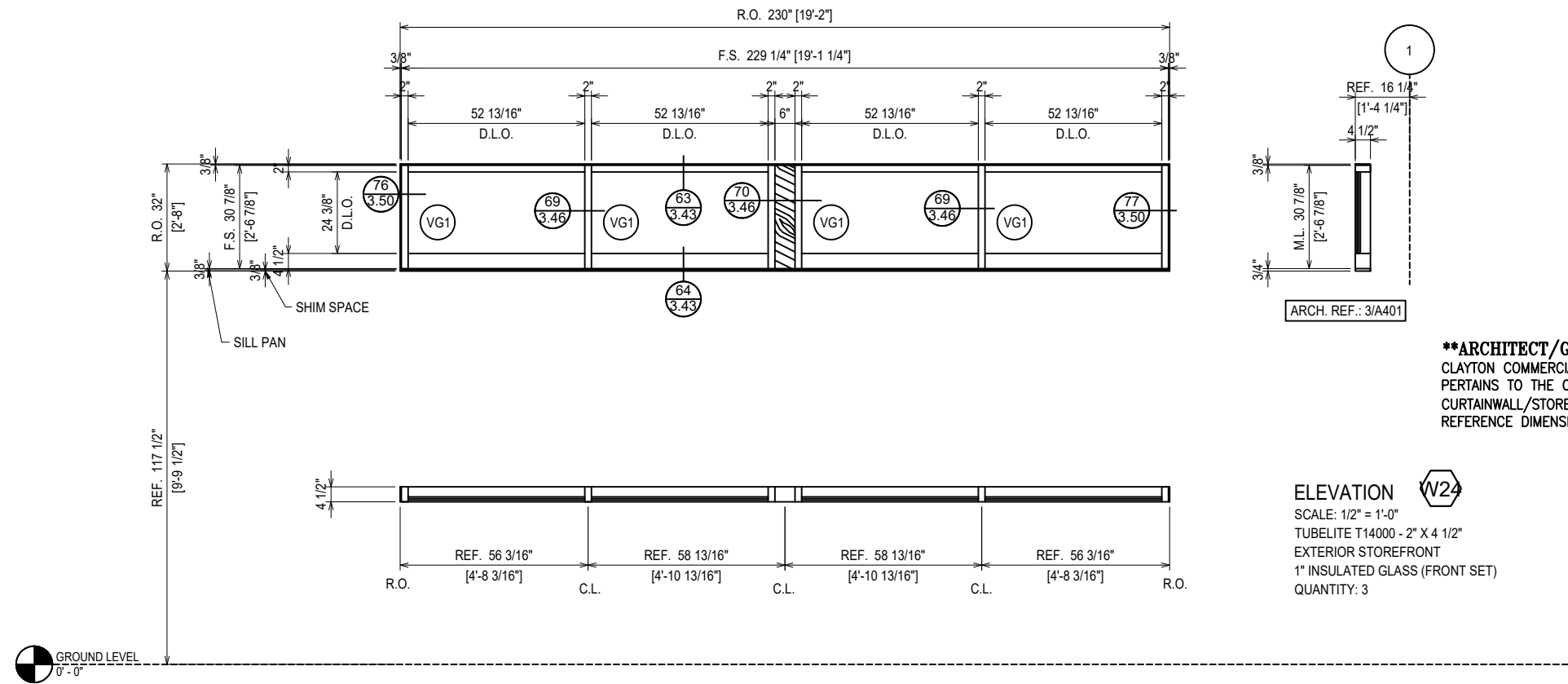
PROJECT:	NORTH STATE BANK
LOCATION:	2413 BLUE RIDGE RD. RALEIGH, NC 27607

DRAWN BY:	DATE:
CW	03.21.22
CHECKED BY:	DATE:
BT	03.21.22

JOB NO.:  
**2.19**





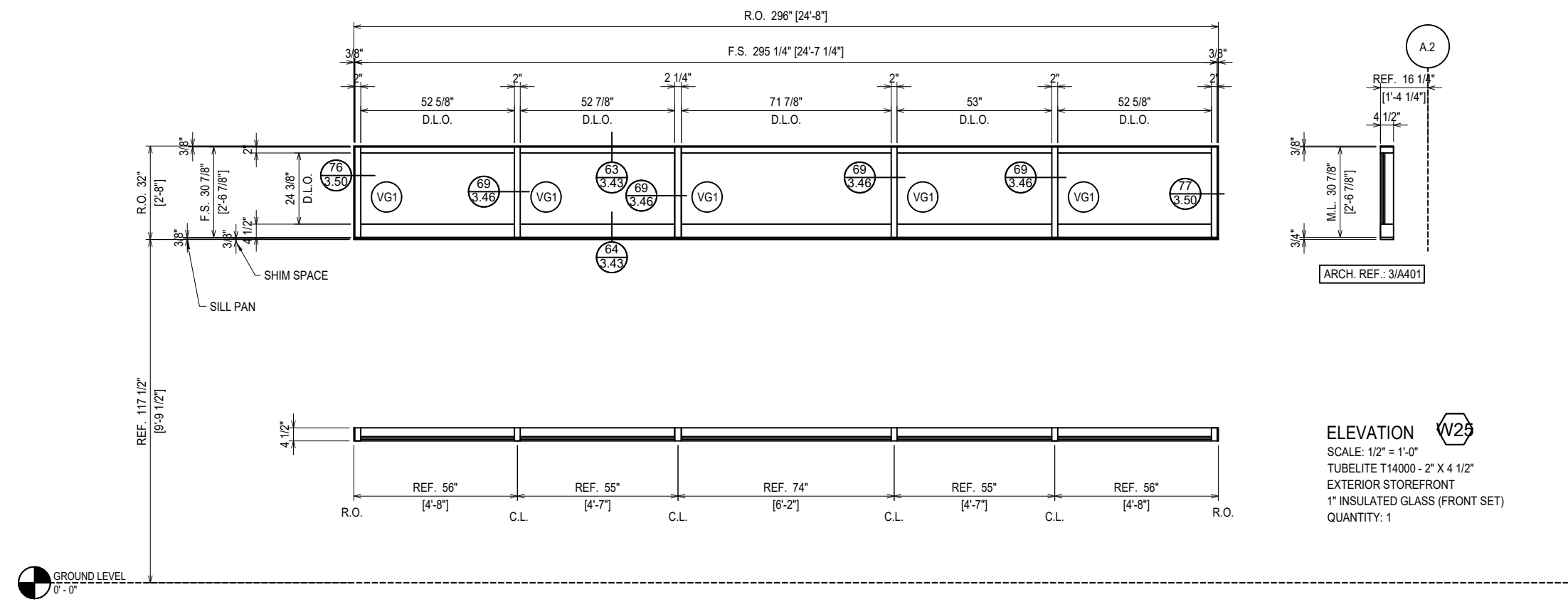


**\*\*ARCHITECT/GC NOTES\*\*:**  
 CLAYTON COMMERCIAL GLAZING HAS ATTEMPTED TO GIVE REFERENCE DIMENSIONS AS IT PERTAINS TO THE CENTERLINE OF THE COLUMN WITH RELATIONSHIP TO THE CURTAINWALL/STOREFRONT SYSTEMS. PLEASE REVIEW AND CONFIRM/CORRECT THESE REFERENCE DIMENSIONS AS IT IS CRUCIAL TO THE INSTALLATION OF THESE WINDOW SYSTEMS.

**ELEVATION W24**  
 SCALE: 1/2" = 1'-0"  
 TUBELITE T14000 - 2" X 4 1/2"  
 EXTERIOR STOREFRONT  
 1" INSULATED GLASS (FRONT SET)  
 QUANTITY: 3

NO.	DESCRIPTION	DATE
1	1ST SUBMISSION	03.21.22
	1ST REVISION	05.13.22

**CLAYTON COMMERCIAL GLAZING**  
 3210 US HIGHWAY 70W  
 SMITHFIELD, NC 27577  
 P: 919.550.4024

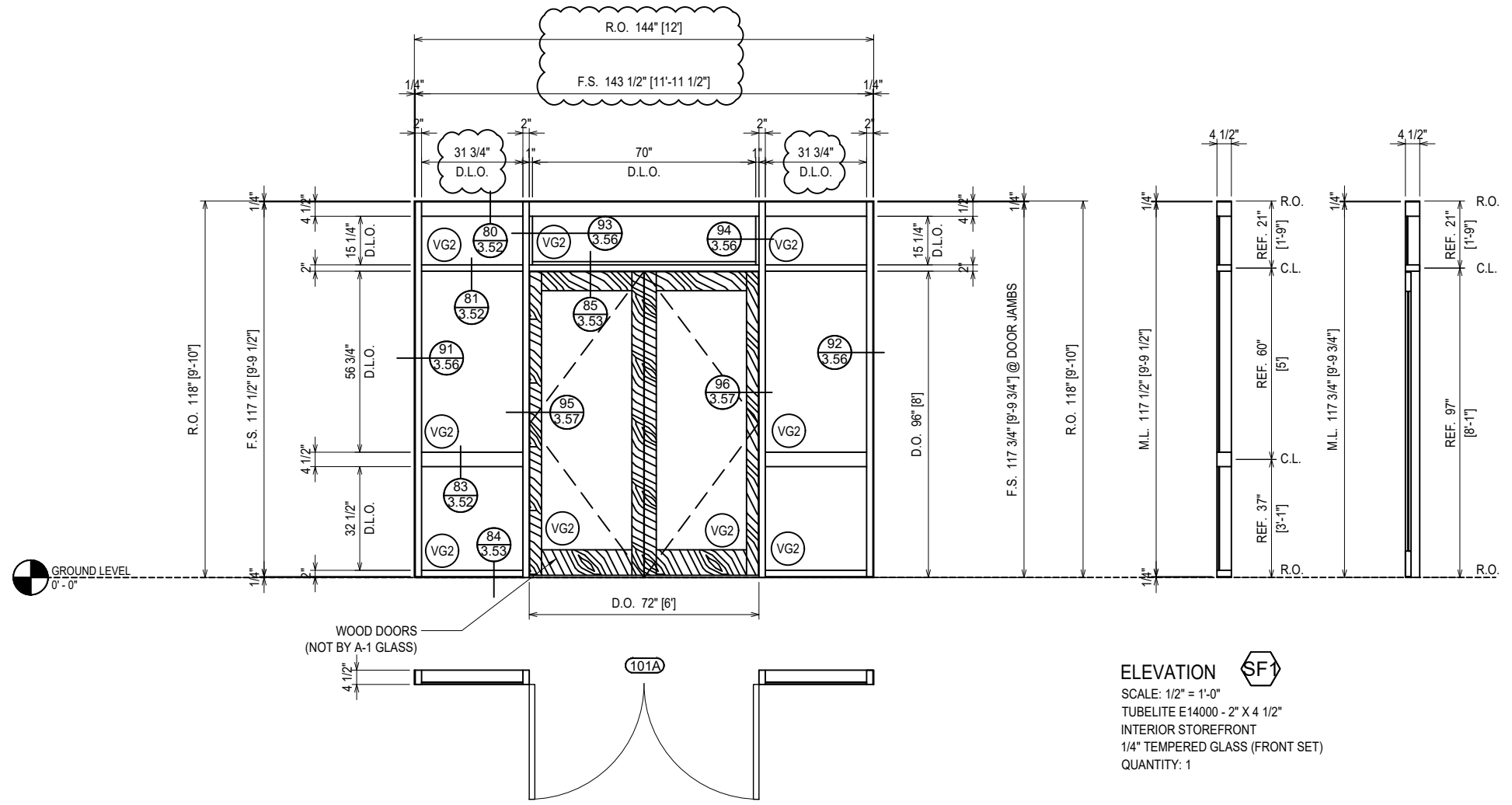
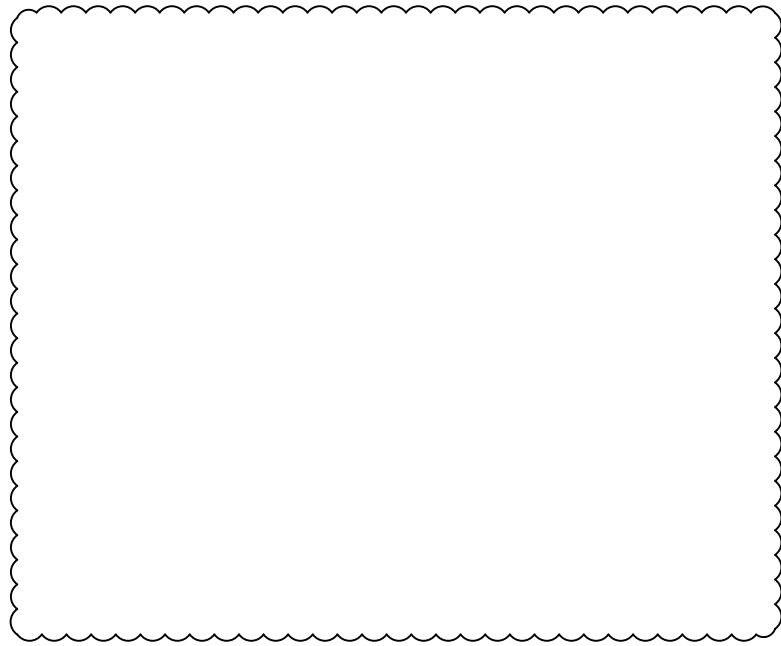


**ELEVATION W25**  
 SCALE: 1/2" = 1'-0"  
 TUBELITE T14000 - 2" X 4 1/2"  
 EXTERIOR STOREFRONT  
 1" INSULATED GLASS (FRONT SET)  
 QUANTITY: 1

PROJECT:	NORTH STATE BANK
LOCATION:	2413 BLUE RIDGE RD. RALEIGH, NC 27607

DRAWN BY:	DATE:
CW	03.21.22
CHECKED BY:	DATE:
BT	03.21.22

**ERECTOR / G.C. NOTE:**  
 PLEASE FIELD VERIFY ALL DIMENSIONS



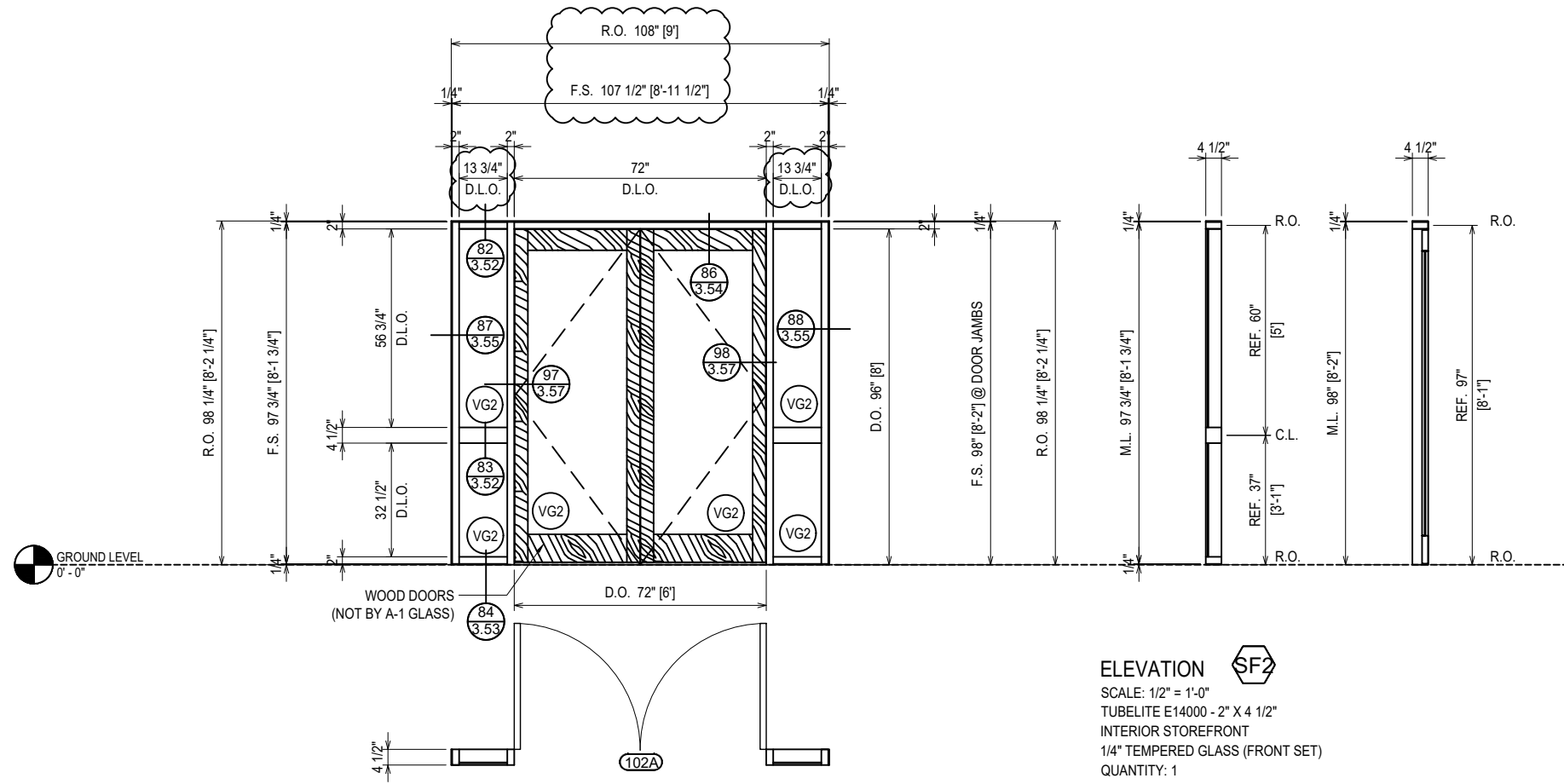
NO	DESCRIPTION	DATE
1	1ST SUBMISSION	03.21.22
2	1ST REVISION	05.13.22

**CLAYTON COMMERCIAL GLAZING**  
**3210 US HIGHWAY 70W**  
**SMITHFIELD, NC 27577**  
**P: 919.550.4024**

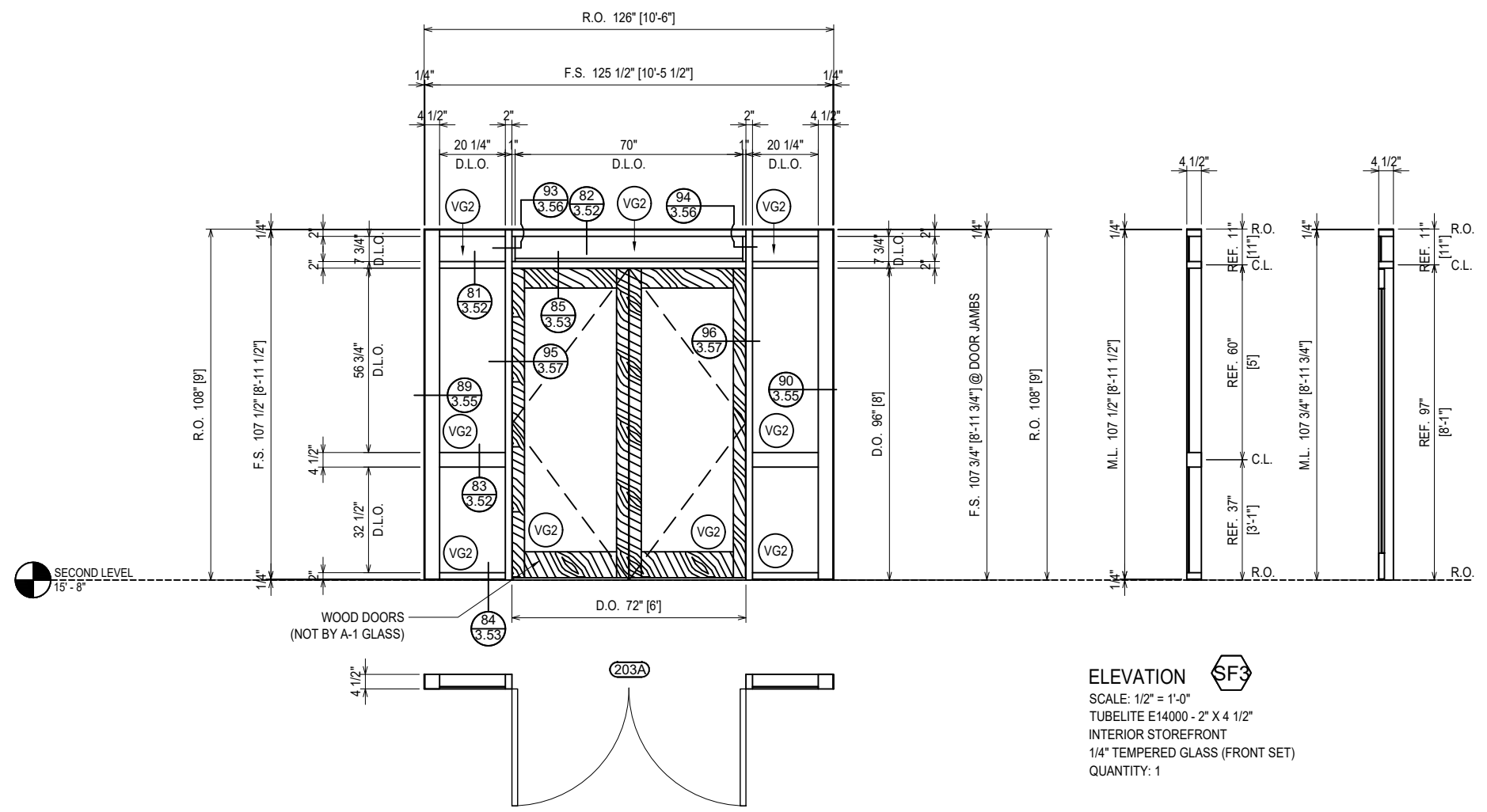
PROJECT: NORTH STATE BANK  
 LOCATION: 2413 BLUE RIDGE RD.  
 RALEIGH, NC 27607

DRAWN BY:	DATE:
CW	03.21.22
CHECKED BY:	DATE:
BT	03.21.22
JOB NO.:	

ERECTOR / G.C. NOTE:  
 PLEASE FIELD VERIFY ALL DIMENSIONS



**ELEVATION SF2**  
 SCALE: 1/2" = 1'-0"  
 TUBELITE E14000 - 2" X 4 1/2"  
 INTERIOR STOREFRONT  
 1/4" TEMPERED GLASS (FRONT SET)  
 QUANTITY: 1



**ELEVATION SF3**  
 SCALE: 1/2" = 1'-0"  
 TUBELITE E14000 - 2" X 4 1/2"  
 INTERIOR STOREFRONT  
 1/4" TEMPERED GLASS (FRONT SET)  
 QUANTITY: 1

ERECTOR / G.C. NOTE:  
 PLEASE FIELD VERIFY ALL DIMENSIONS

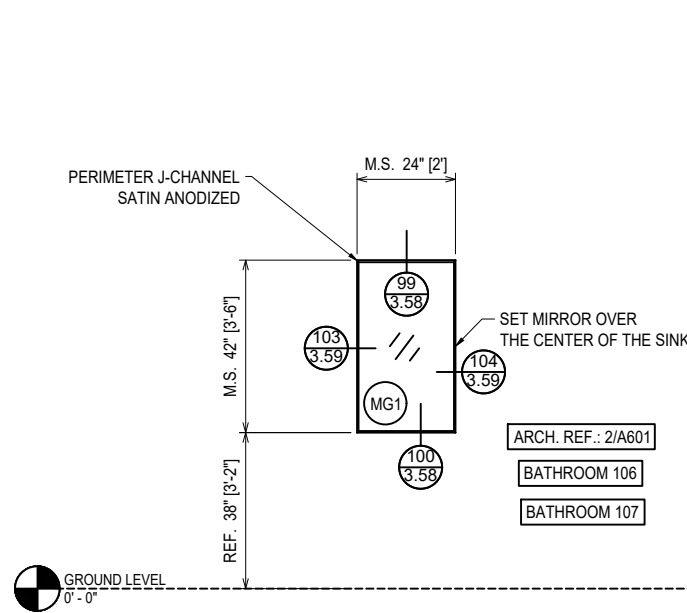
NO	DESCRIPTION	DATE
1ST REVISION		05.13.22
1ST SUBMISSION		03.21.22

**CLAYTON COMMERCIAL GLAZING**  
 3210 US HIGHWAY 70W  
 SMITHFIELD, NC 27577  
 P: 919.550.4024

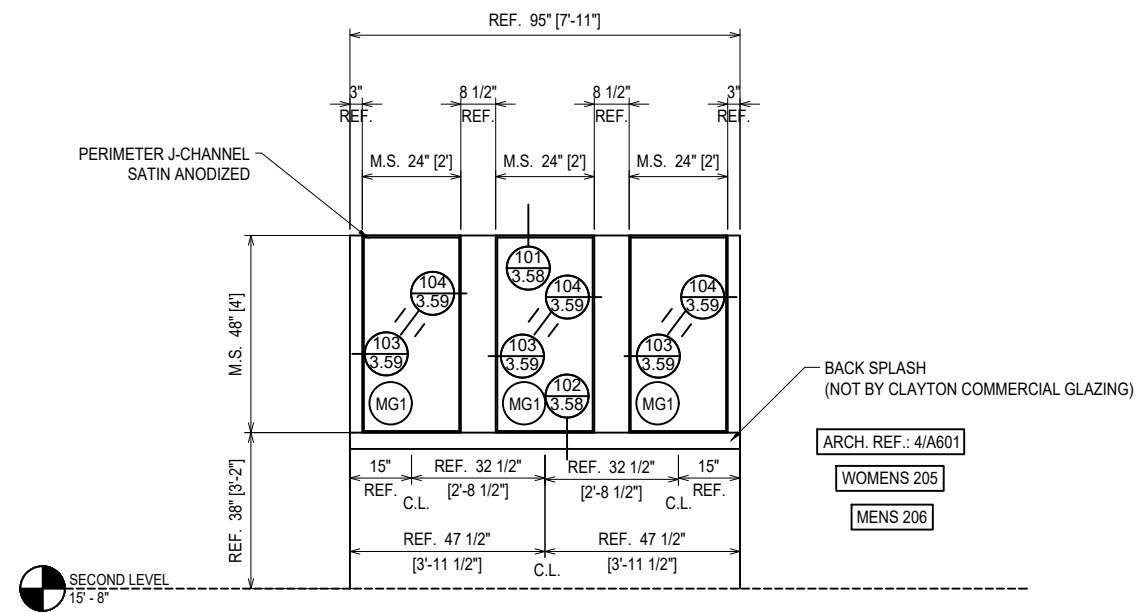
PROJECT:	NORTH STATE BANK
LOCATION:	2413 BLUE RIDGE RD. RALEIGH, NC 27607

DRAWN BY:	DATE:
CW	03.21.22
CHECKED BY:	DATE:
BT	03.21.22

JOB NO.:  
 2.24



**ELEVATION MIR1**  
 SCALE: 1/2" = 1'-0"  
 MIRROR INSTALLED WITH MASTIC  
 AND PERIMETER J-CHANNEL  
 1/4" MIRROR WITH SAFETY BACKING  
 QUANTITY: 2



**ELEVATION MIR2**  
 SCALE: 1/2" = 1'-0"  
 MIRROR INSTALLED WITH MASTIC  
 AND PERIMETER J-CHANNEL  
 1/4" MIRROR WITH SAFETY BACKING  
 QUANTITY: 2

NO	DESCRIPTION	DATE
1	1ST SUBMISSION	03.21.22
2	1ST REVISION	05.13.22

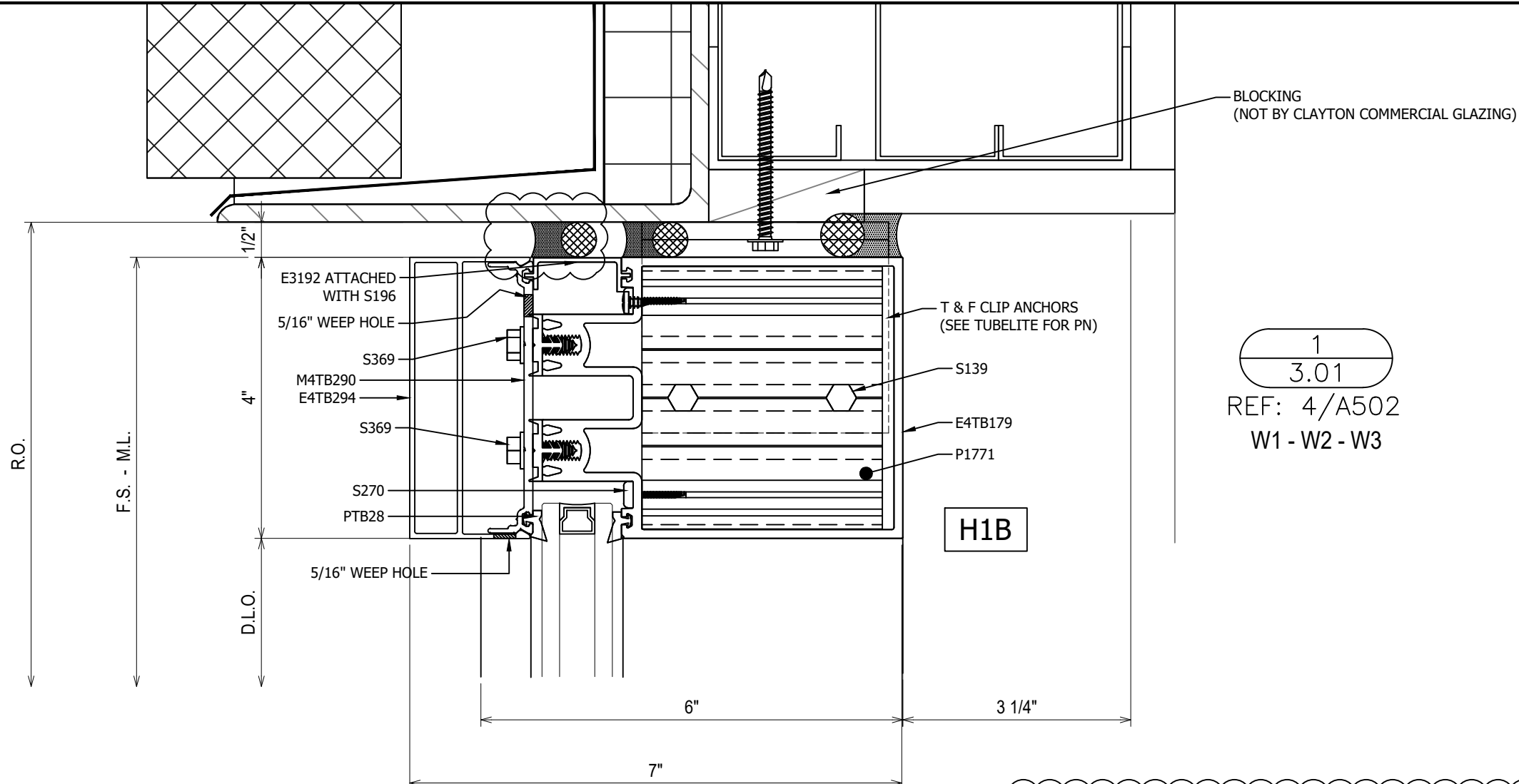
**CLAYTON COMMERCIAL GLAZING**  
 3210 US HIGHWAY 70W  
 SMITHFIELD, NC 27577  
 P: 919.550.4024

PROJECT:	NORTH STATE BANK
LOCATION:	2413 BLUE RIDGE RD. RALEIGH, NC 27607

DRAWN BY:	DATE:
CW	03.21.22
CHECKED BY:	DATE:
BT	03.21.22

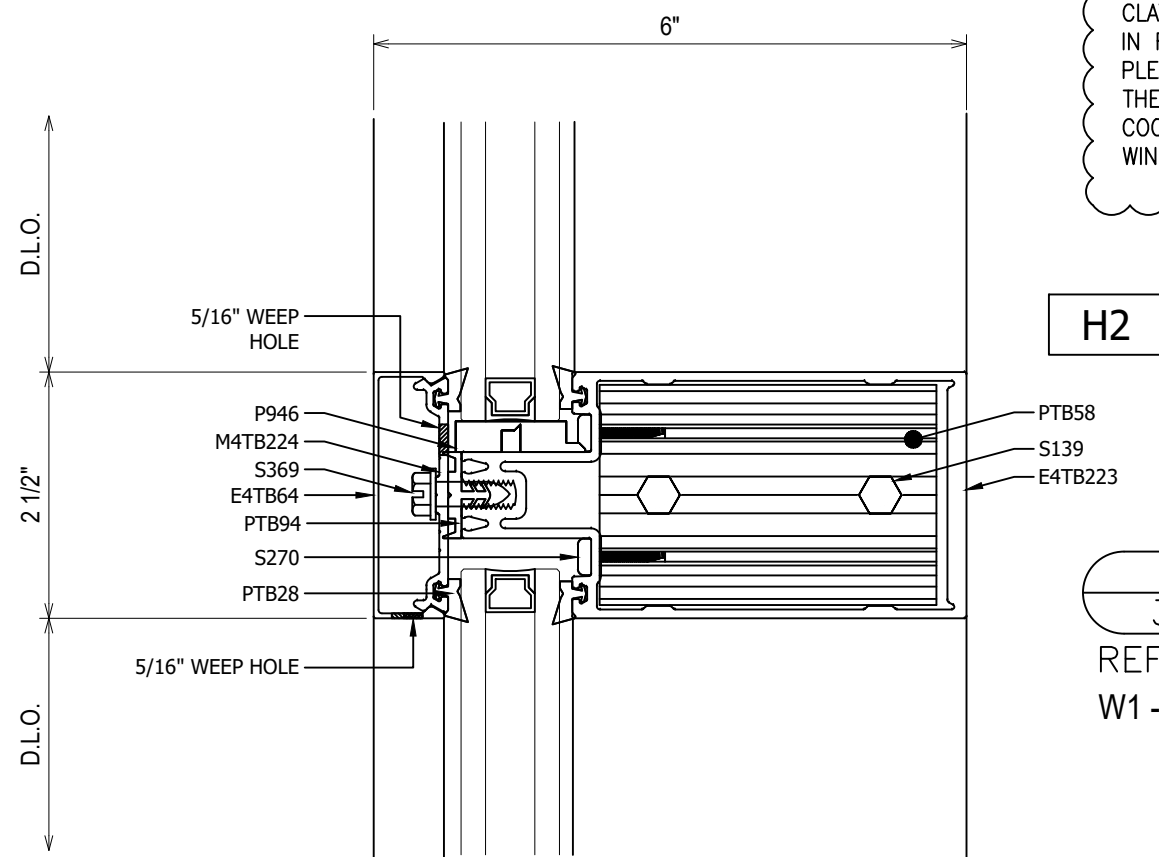
JOB NO.:

ERECTOR / G.C. NOTE:  
 PLEASE FIELD VERIFY ALL DIMENSIONS



1  
3.01  
 REF: 4/A502  
 W1 - W2 - W3

**\*\*ARCHITECT/GC DETAIL NOTES\*\*:**  
 CLAYTON COMMERCIAL GLAZING HAS ATTEMPTED TO INTERPRET THE CONTRACT DRAWINGS IN REFERENCE TO THE SURROUND CONDITIONS AT THE WINDOW WALL SYSTEMS. PLEASE REVIEW AND CLARIFY IF THESE CONDITIONS ARE ACCURATE. ANY INACCURACY IN THESE DETAILS WILL NOT HOLD CLAYTON COMMERCIAL GLAZING LIABLE. PLEASE COORDINATE WITH OTHER TRADES TO MAKE THE SURROUND CONDITIONS SO THAT THE WINDOW WALL SYSTEMS ARE ABLE TO BE INSTALLED AND WATERPROOFED PROPERLY.



2  
3.01  
 REF: N/A  
 W1 - W2 - W3

NO	DESCRIPTION	DATE
1	1ST REVISION	05.13.22
2	1ST SUBMISSION	03.21.22

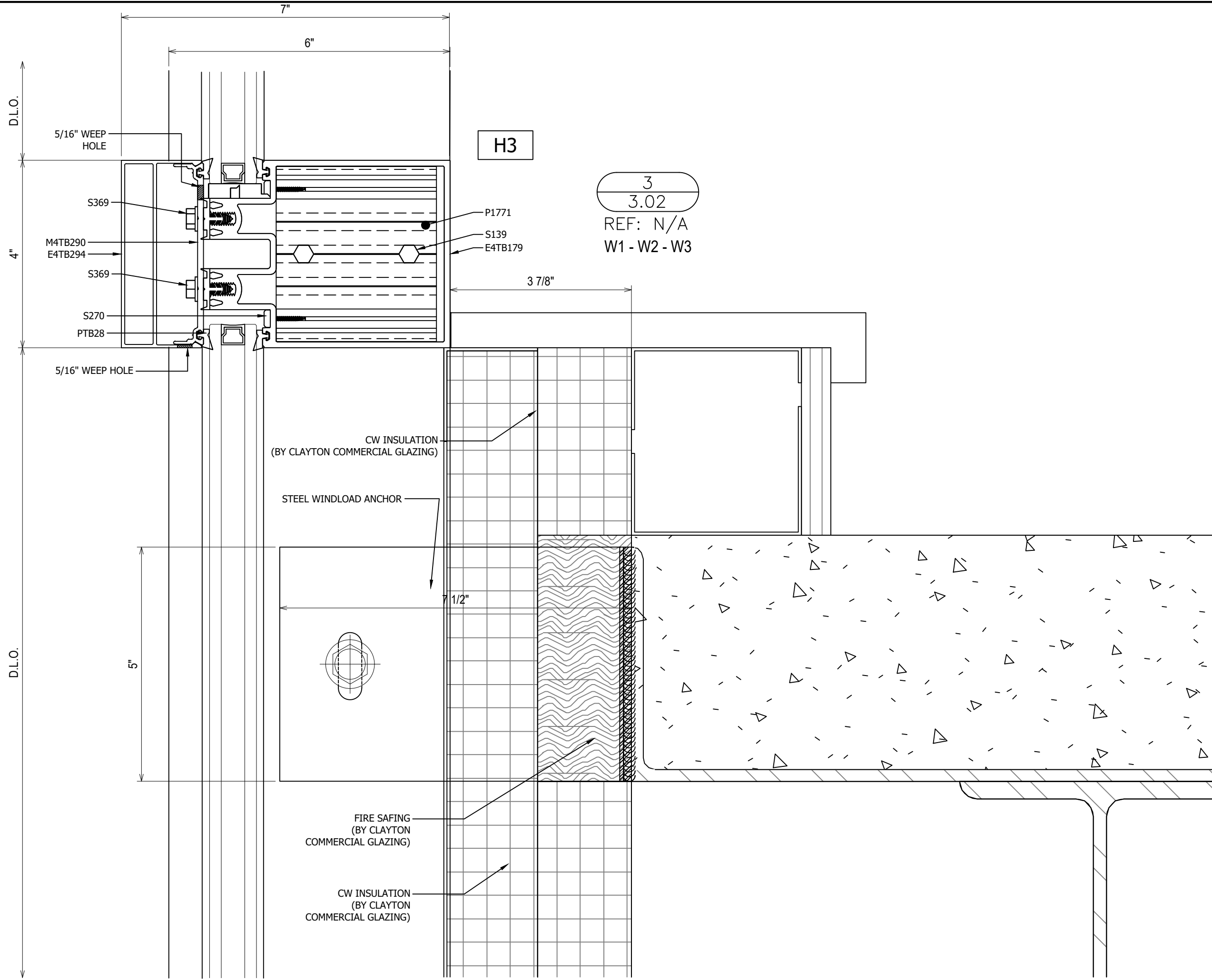
CLAYTON COMMERCIAL GLAZING  
 3210 US HIGHWAY 70W  
 SMITHFIELD, NC 27577  
 P: 919.550.4024

PROJECT: NORTH STATE BANK  
 LOCATION: 2413 BLUE RIDGE RD.  
 RALEIGH, NC 27607

DRAWN BY:	DATE:
CW	03.21.22
CHECKED BY:	DATE:
BT	03.21.22
JOB NO.:	

3.01





H3

3  
3.02  
REF: N/A  
W1 - W2 - W3

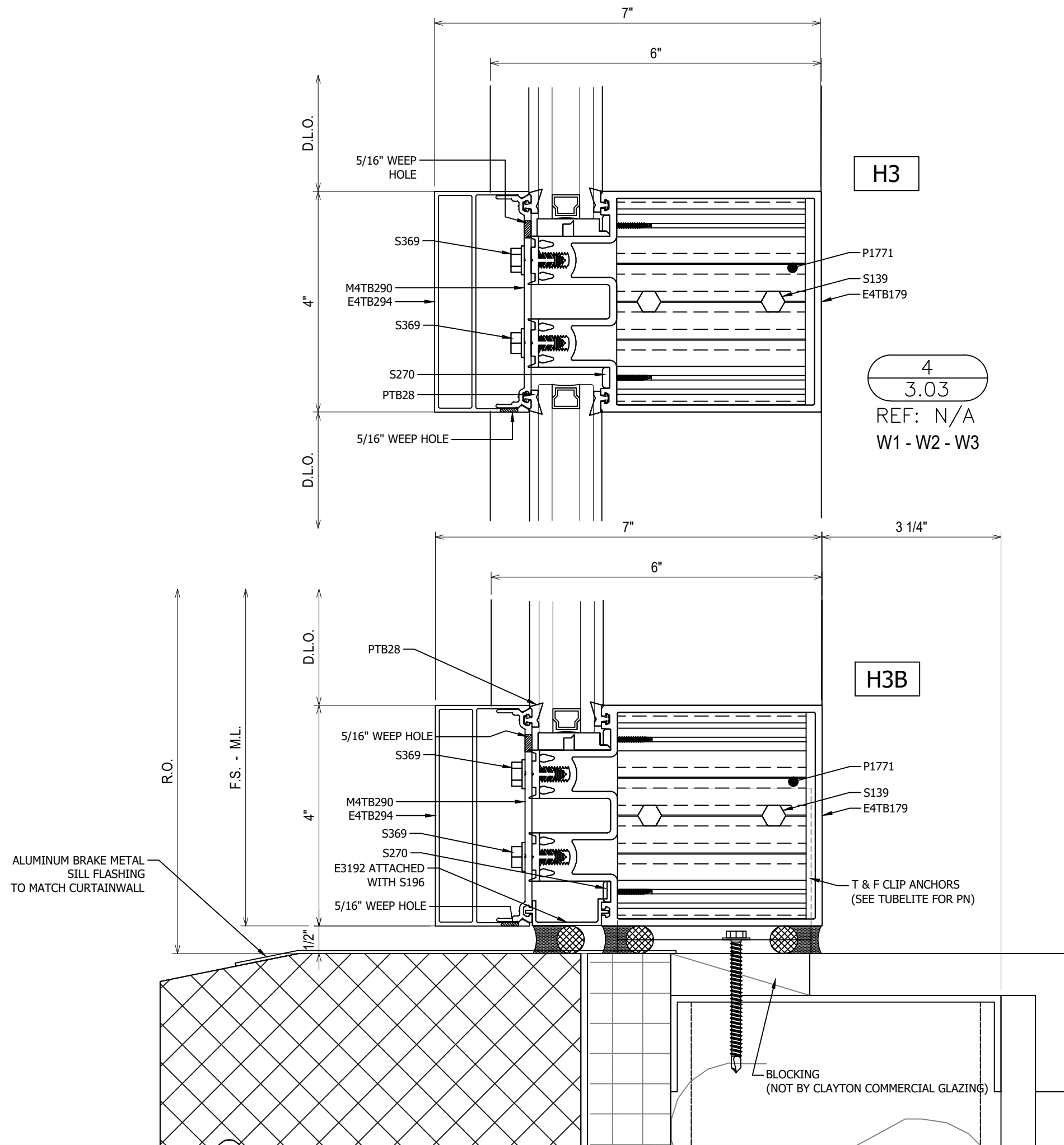
NO	DESCRIPTION	DATE
1	1ST REVISION	05.13.22
2	1ST SUBMISSION	03.21.22

CLAYTON COMMERCIAL GLAZING  
3210 US HIGHWAY 70W  
SMITHFIELD, NC 27577  
P: 919.550.4024

PROJECT:	NORTH STATE BANK
LOCATION:	2413 BLUE RIDGE RD. RALEIGH, NC 27607

DRAWN BY:	CW	DATE:	03.21.22
CHECKED BY:	BT	DATE:	03.21.22
JOB NO.:			

3.02



H3

4  
3.03  
REF: N/A  
W1 - W2 - W3

H3B

5  
3.03  
REF: 5/A501  
W1 - W2 - W3

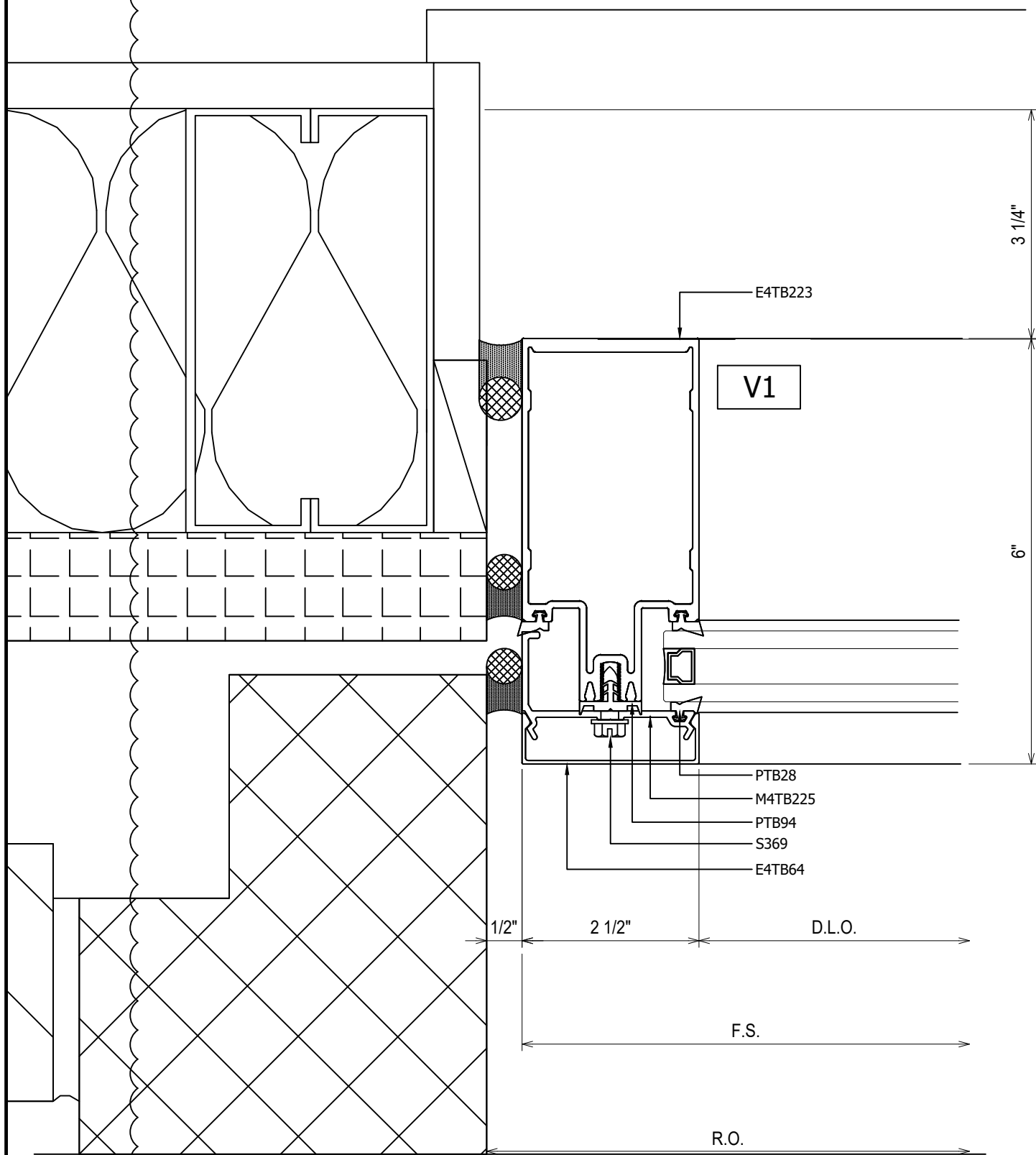
NO	DESCRIPTION	DATE
1ST	SUBMISSION	03.21.22
1ST	REVISION	05.13.22

CLAYTON COMMERCIAL GLAZING  
3210 US HIGHWAY 70W  
SMITHFIELD, NC 27577  
P: 919.550.4024

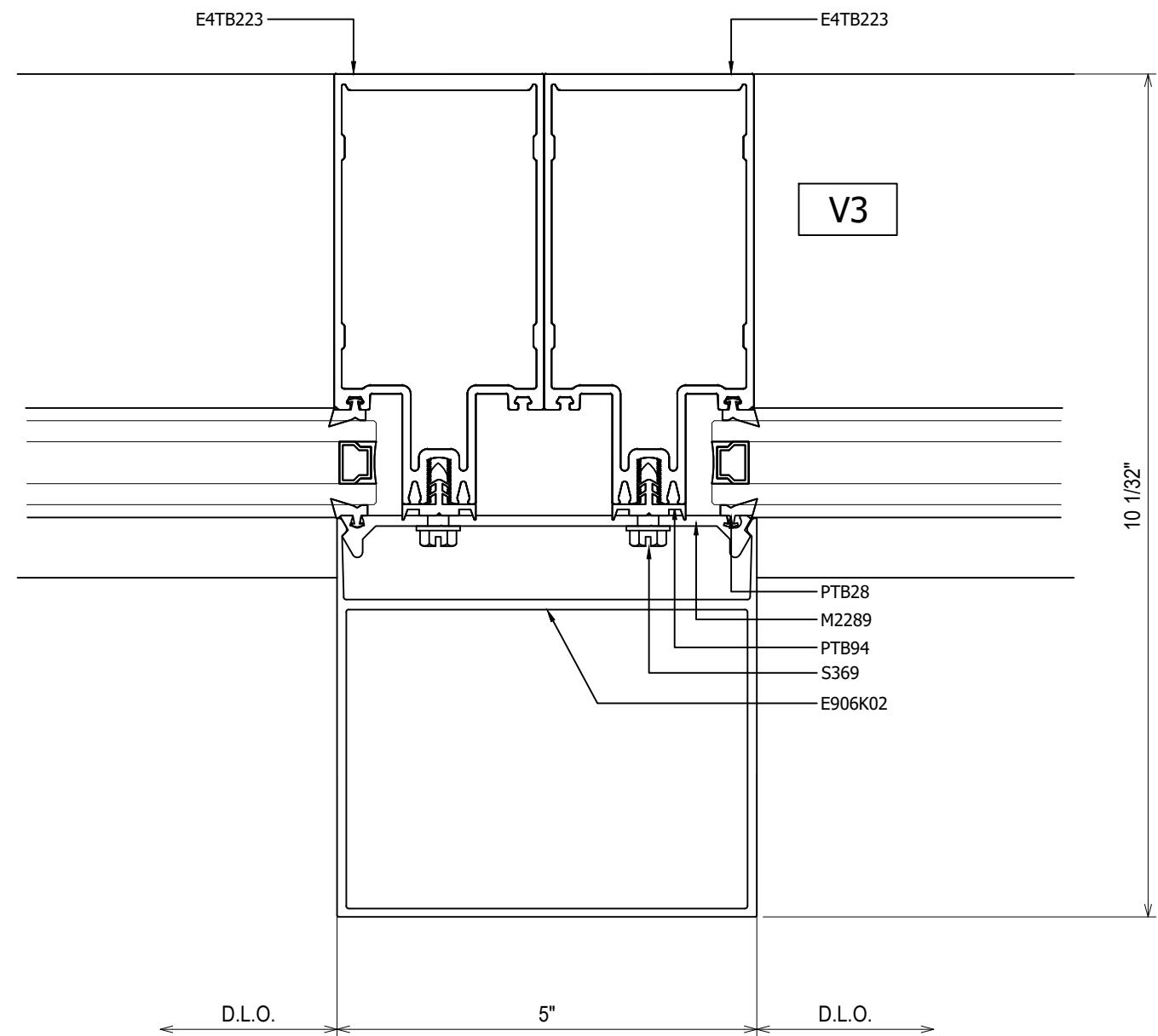
PROJECT:	NORTH STATE BANK
LOCATION:	2413 BLUE RIDGE RD. RALEIGH, NC 27607

DRAWN BY:	DATE:
CW	03.21.22
CHECKED BY:	DATE:
BT	03.21.22

JOB NO.:  
3.03



6  
3.04  
REF: 7/A504  
W1 - W2 - W3



7  
3.04  
REF: N/A  
W1 - W3

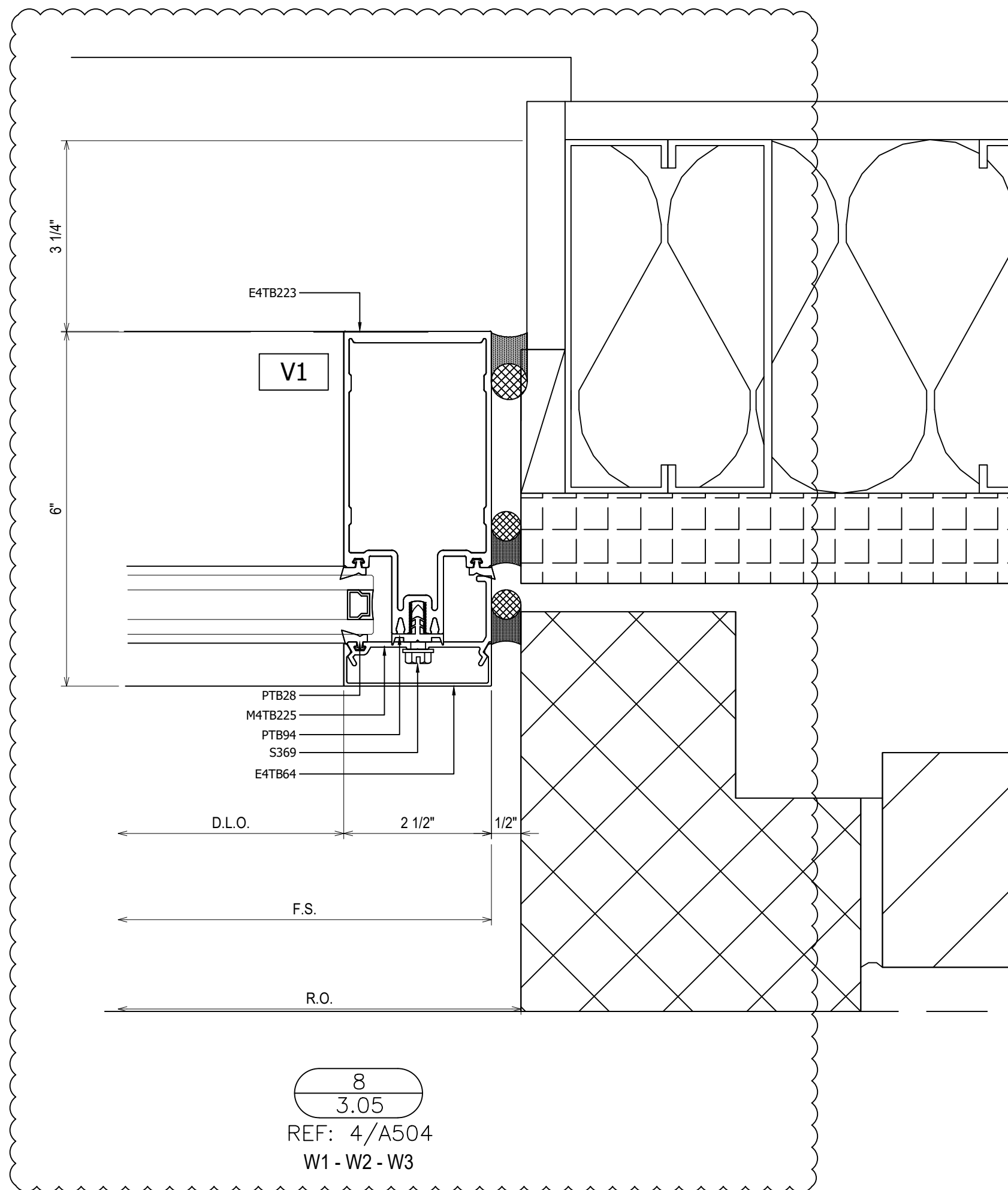
NO	DESCRIPTION	DATE
1	1ST REVISION	05.13.22
2	1ST SUBMISSION	03.21.22

CLAYTON COMMERCIAL GLAZING  
3210 US HIGHWAY 70W  
SMITHFIELD, NC 27577  
P: 919.550.4024

PROJECT:	NORTH STATE BANK
LOCATION:	2413 BLUE RIDGE RD. RALEIGH, NC 27607

DRAWN BY:	DATE:
CW	03.21.22
CHECKED BY:	DATE:
BT	03.21.22

JOB NO.:  
3.04



8  
3.05

REF: 4/A504  
W1 - W2 - W3

NO	DESCRIPTION	DATE
1ST REVISION		05.13.22
1ST SUBMISSION		03.21.22

CLAYTON COMMERCIAL GLAZING  
3210 US HIGHWAY 70W  
SMITHFIELD, NC 27577  
P: 919.550.4024

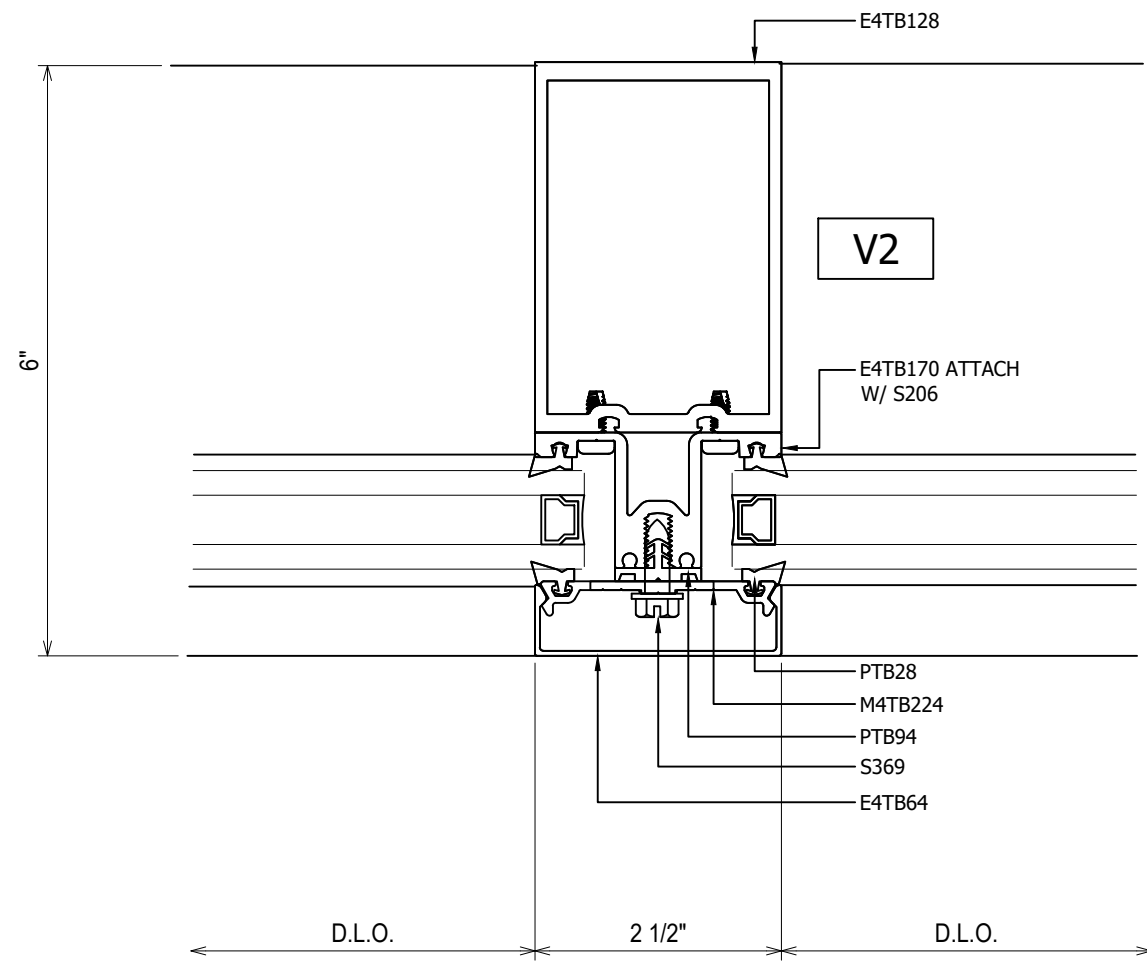
PROJECT: NORTH STATE BANK  
LOCATION: 2413 BLUE RIDGE RD.  
RALEIGH, NC 27607

DRAWN BY:	DATE:
CW	03.21.22
CHECKED BY:	DATE:
BT	03.21.22

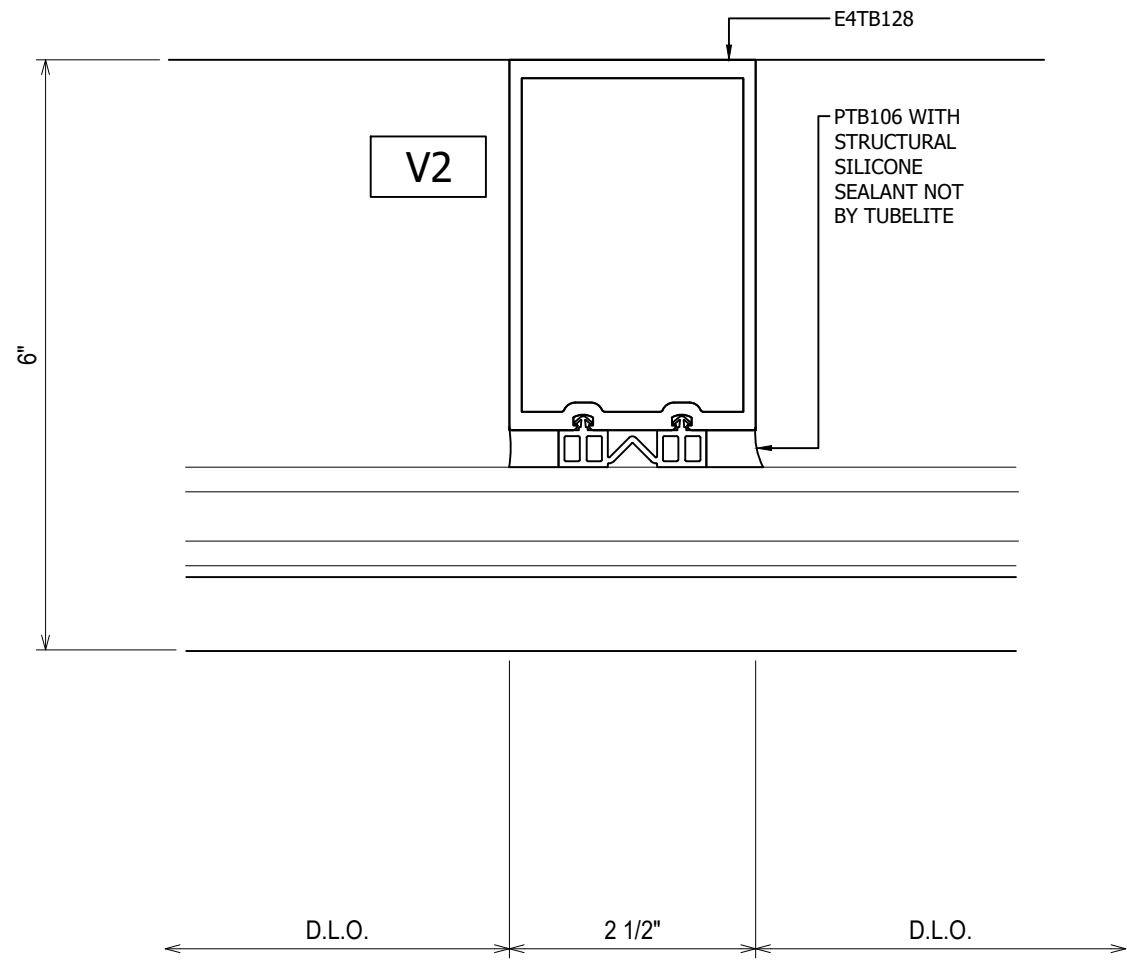
JOB NO.:

3.05

DRAWING SUBMISSION



9  
3.06  
REF: N/A  
W2



10  
3.06  
REF: N/A  
W2

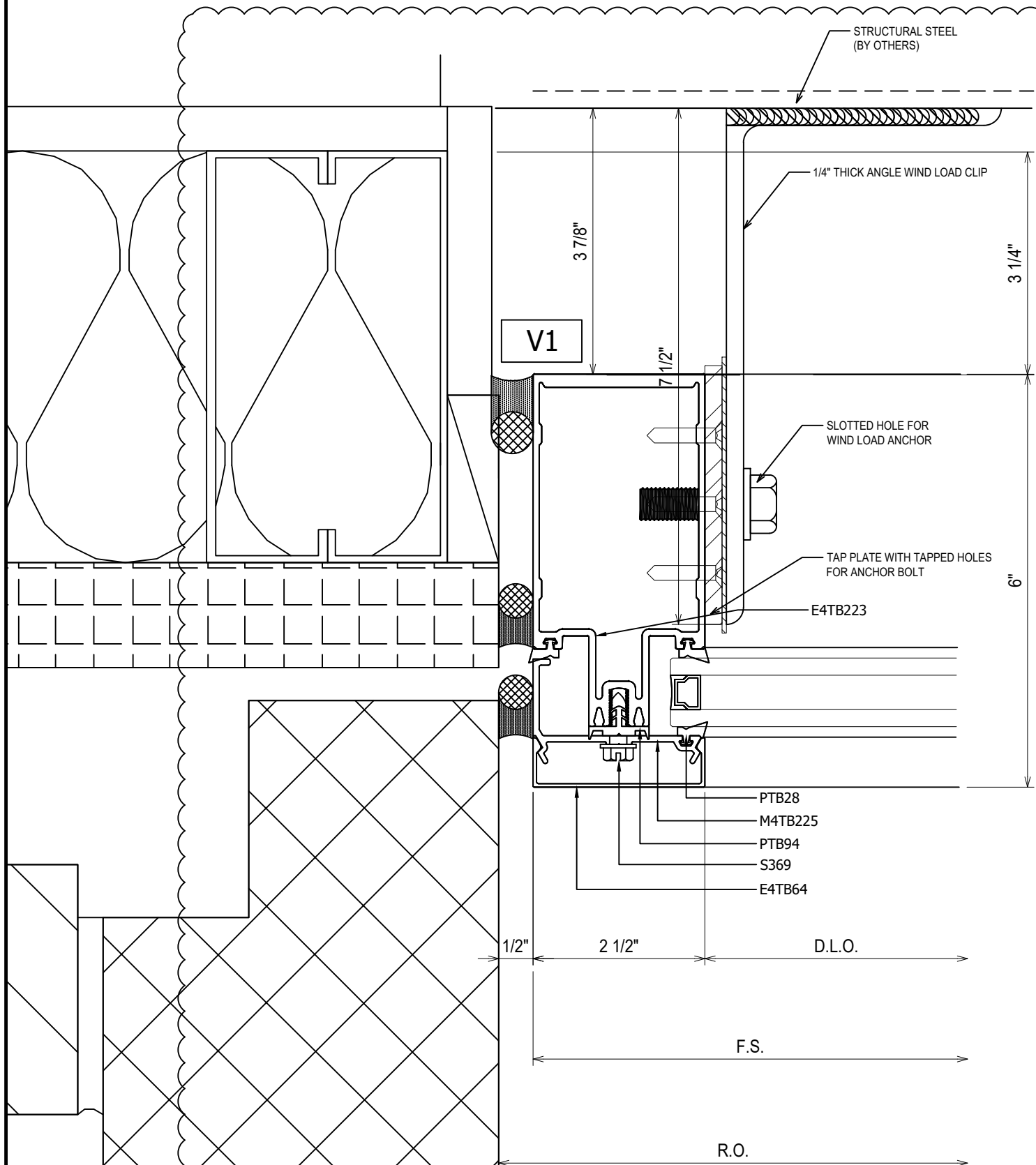
NO	DESCRIPTION	DATE
1	1ST REVISION	05.13.22
2	1ST SUBMISSION	03.21.22

CLAYTON COMMERCIAL GLAZING  
3210 US HIGHWAY 70W  
SMITHFIELD, NC 27577  
P: 919.550.4024

PROJECT:	NORTH STATE BANK
LOCATION:	2413 BLUE RIDGE RD. RALEIGH, NC 27607

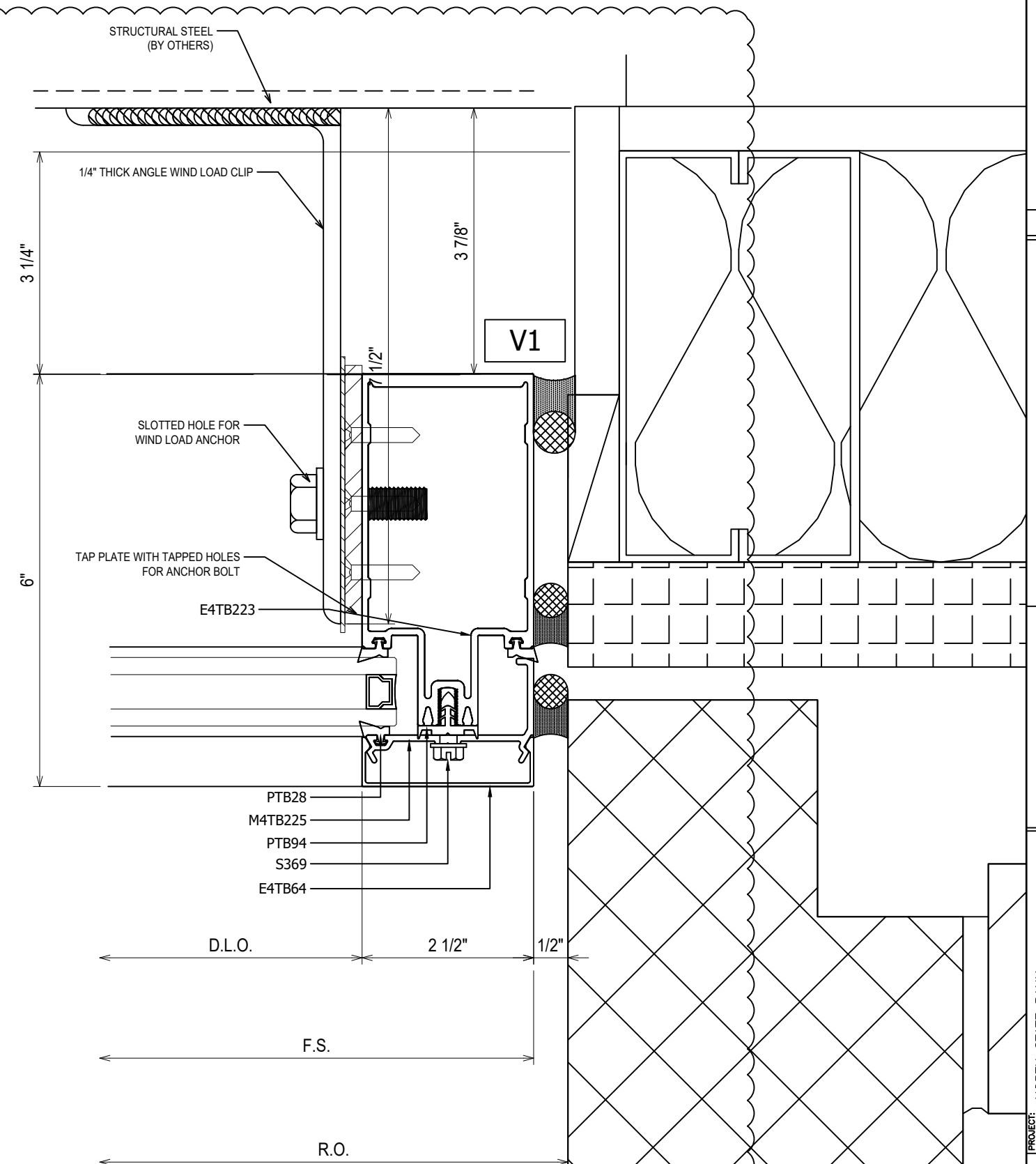
DRAWN BY:	DATE:
CW	03.21.22
CHECKED BY:	DATE:
BT	03.21.22
JOB NO.:	

3.06



11  
3.07

REF: 7/A504  
W1 - W2 - W3



12  
3.07

REF: 4/A504  
W1 - W2 - W3

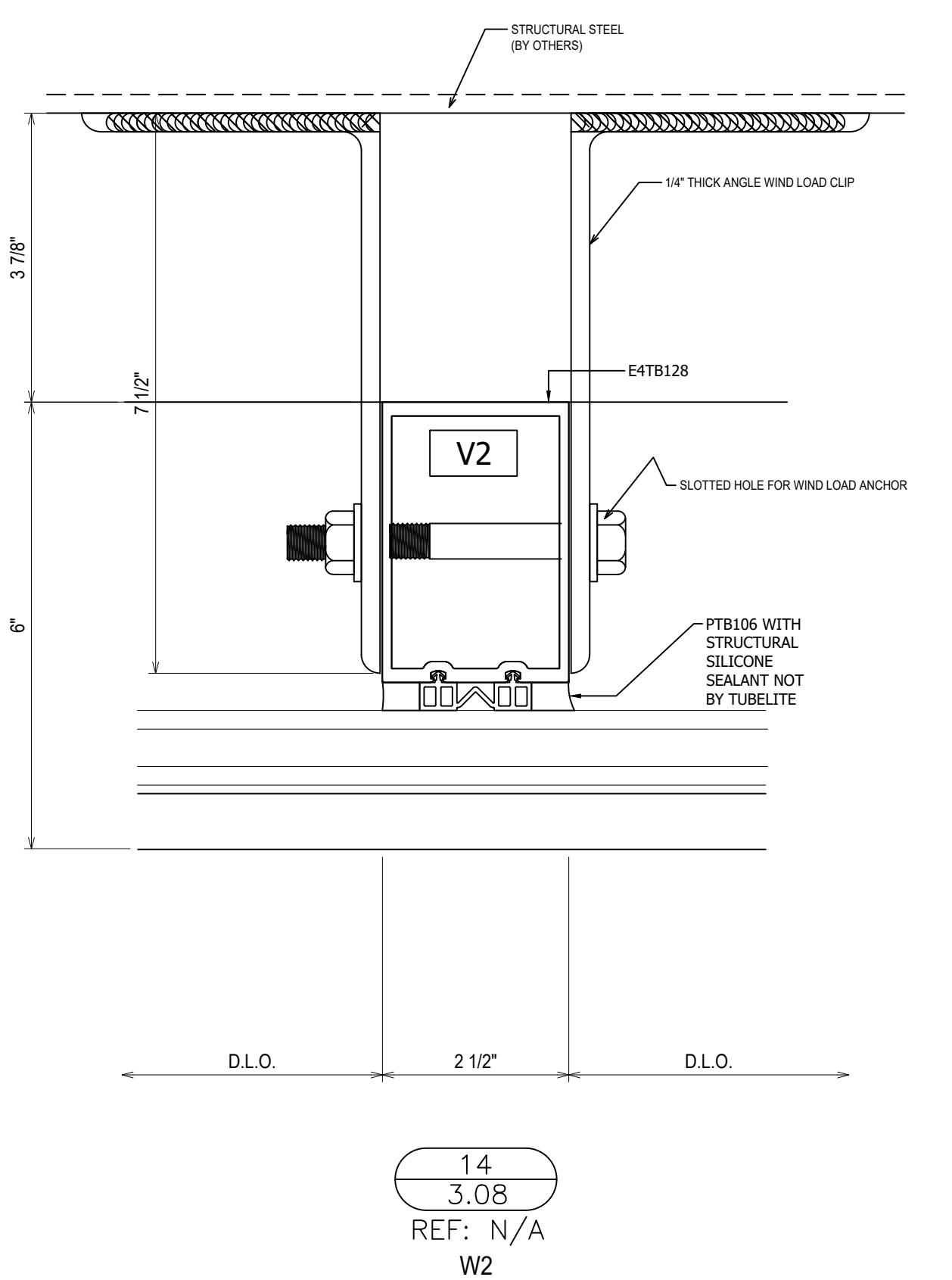
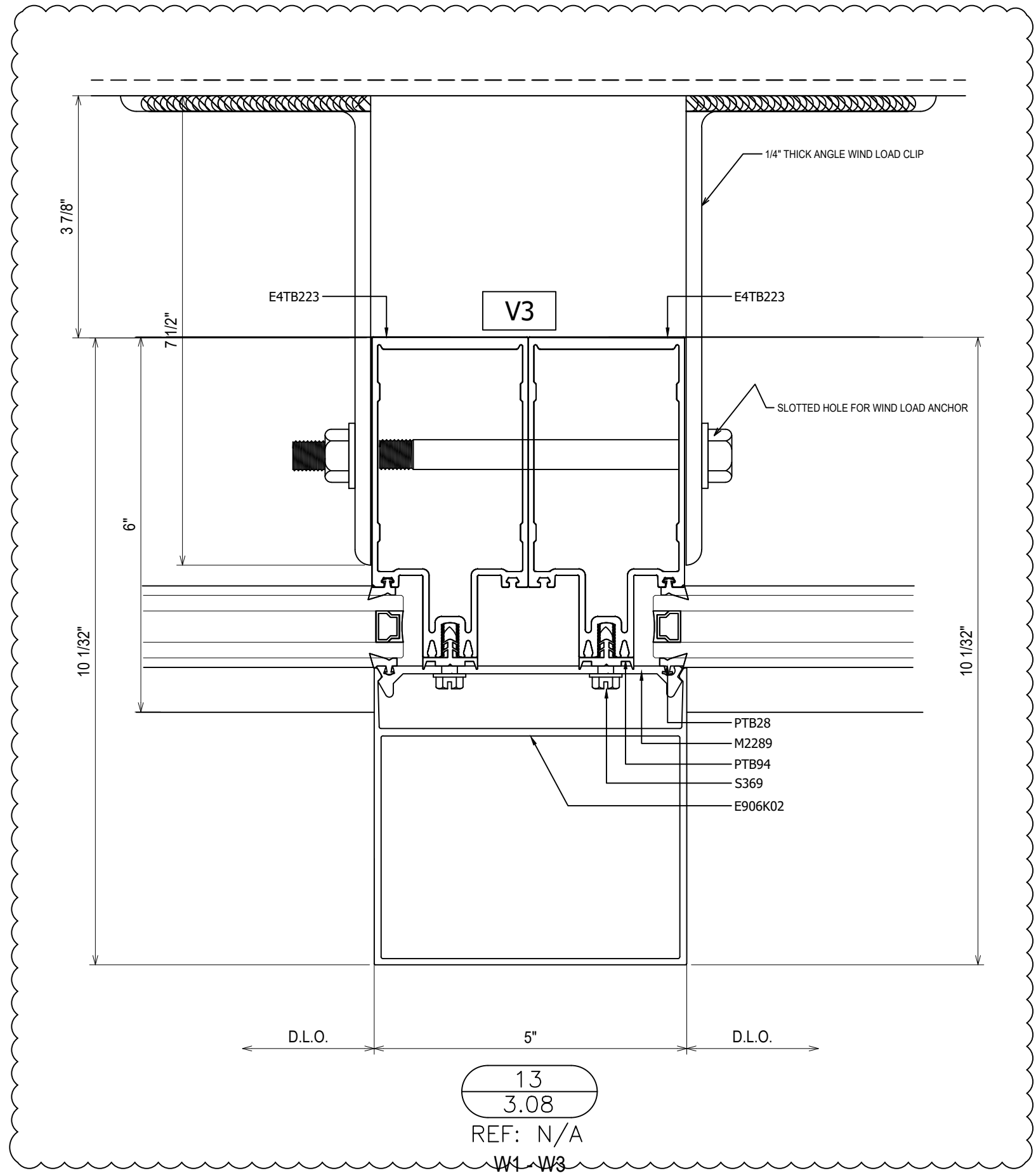
NO	DESCRIPTION	DATE
1ST REVISION		05.13.22
1ST SUBMISSION		03.21.22

CLAYTON COMMERCIAL GLAZING  
3210 US HIGHWAY 70W  
SMITHFIELD, NC 27577  
P: 919.550.4024

PROJECT:	NORTH STATE BANK
LOCATION:	2413 BLUE RIDGE RD. RALEIGH, NC 27607

DRAWN BY:	DATE:
CW	03.21.22
CHECKED BY:	DATE:
BT	03.21.22
JOB NO.:	

3.07



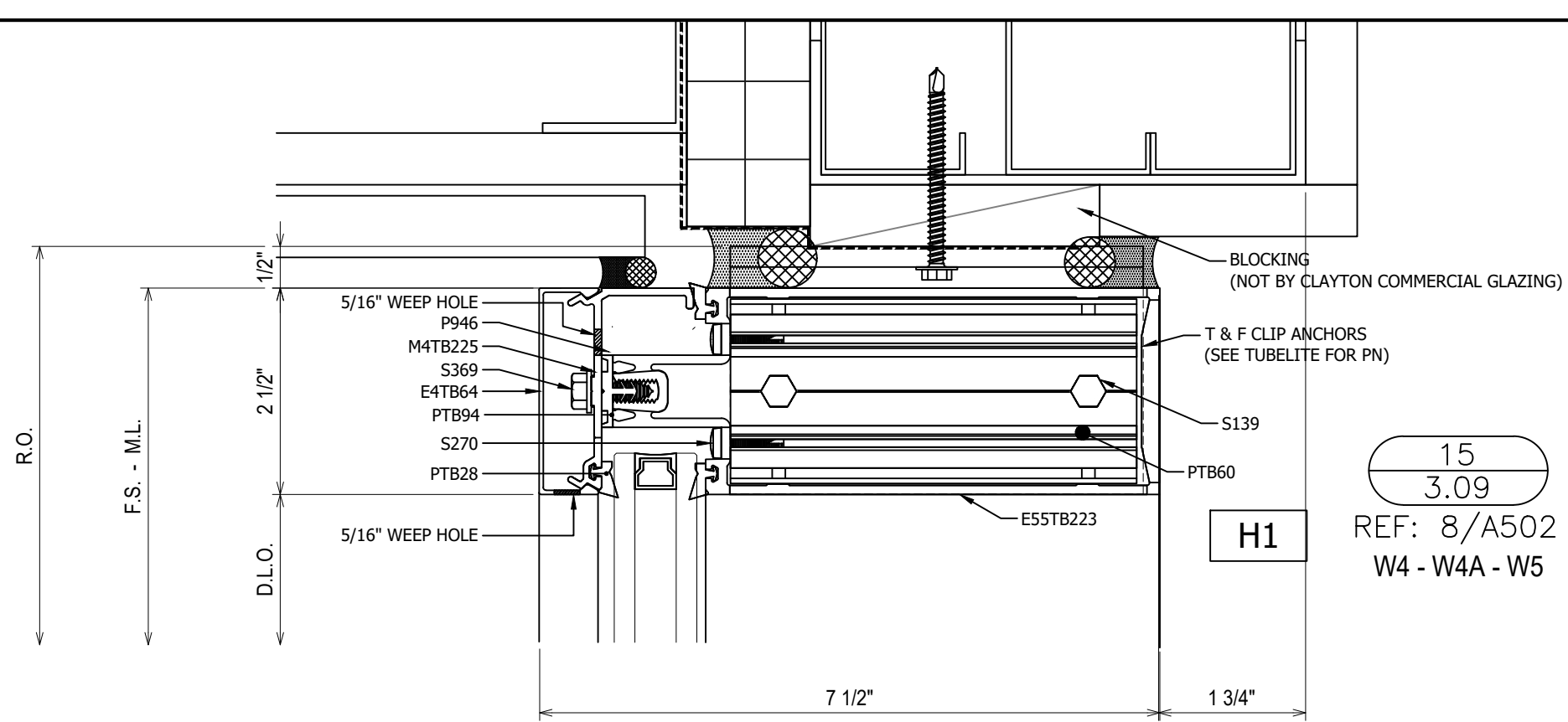
NO	DESCRIPTION	DATE
1ST REVISION	1ST SUBMISSION	05.13.22
		03.21.22

CLAYTON COMMERCIAL GLAZING  
 3210 US HIGHWAY 70W  
 SMITHFIELD, NC 27577  
 P: 919.550.4024

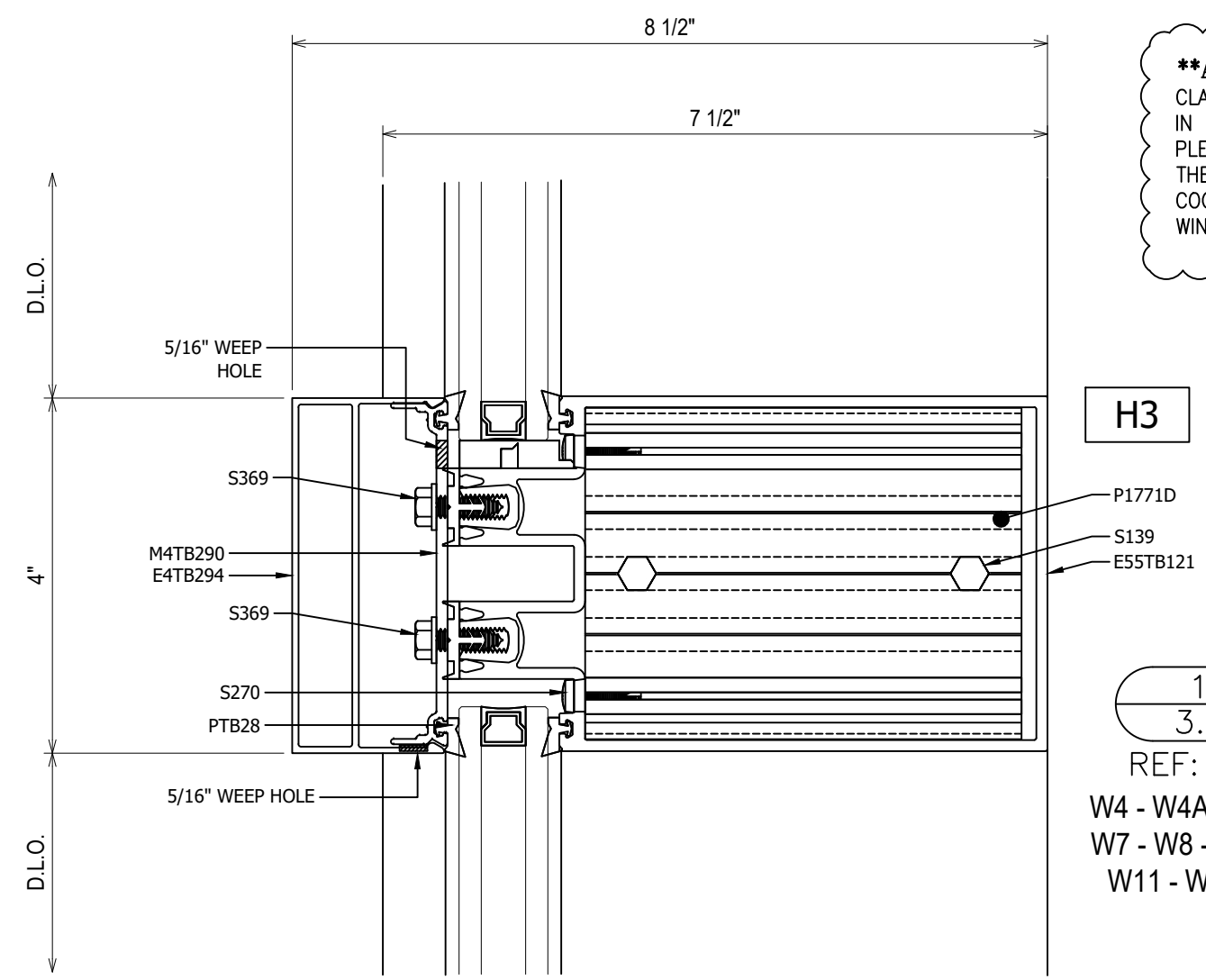
PROJECT: NORTH STATE BANK  
 LOCATION: 2413 BLUE RIDGE RD.  
 RALEIGH, NC 27607

DRAWN BY:	DATE:
CW	03.21.22
CHECKED BY:	DATE:
BT	03.21.22
JOB NO.:	

3.08



15  
3.09  
 REF: 8/A502  
 W4 - W4A - W5



16  
3.09  
 REF: N/A  
 W4 - W4A - W5 - W6  
 W7 - W8 - W9 - W10  
 W11 - W14 - W15

**\*\*ARCHITECT/GC DETAIL NOTES\*\*:**  
 CLAYTON COMMERCIAL GLAZING HAS ATTEMPTED TO INTERPRET THE CONTRACT DRAWINGS IN REFERENCE TO THE SURROUND CONDITIONS AT THE WINDOW WALL SYSTEMS. PLEASE REVIEW AND CLARIFY IF THESE CONDITIONS ARE ACCURATE. ANY INACCURACY IN THESE DETAILS WILL NOT HOLD CLAYTON COMMERCIAL GLAZING LIABLE. PLEASE COORDINATE WITH OTHER TRADES TO MAKE THE SURROUND CONDITIONS SO THAT THE WINDOW WALL SYSTEMS ARE ABLE TO BE INSTALLED AND WATERPROOFED PROPERLY.

	05.13.22
1ST REVISION	03.21.22
1ST SUBMISSION	DATE
NO	DESCRIPTION
DRAWING SUBMISSION	

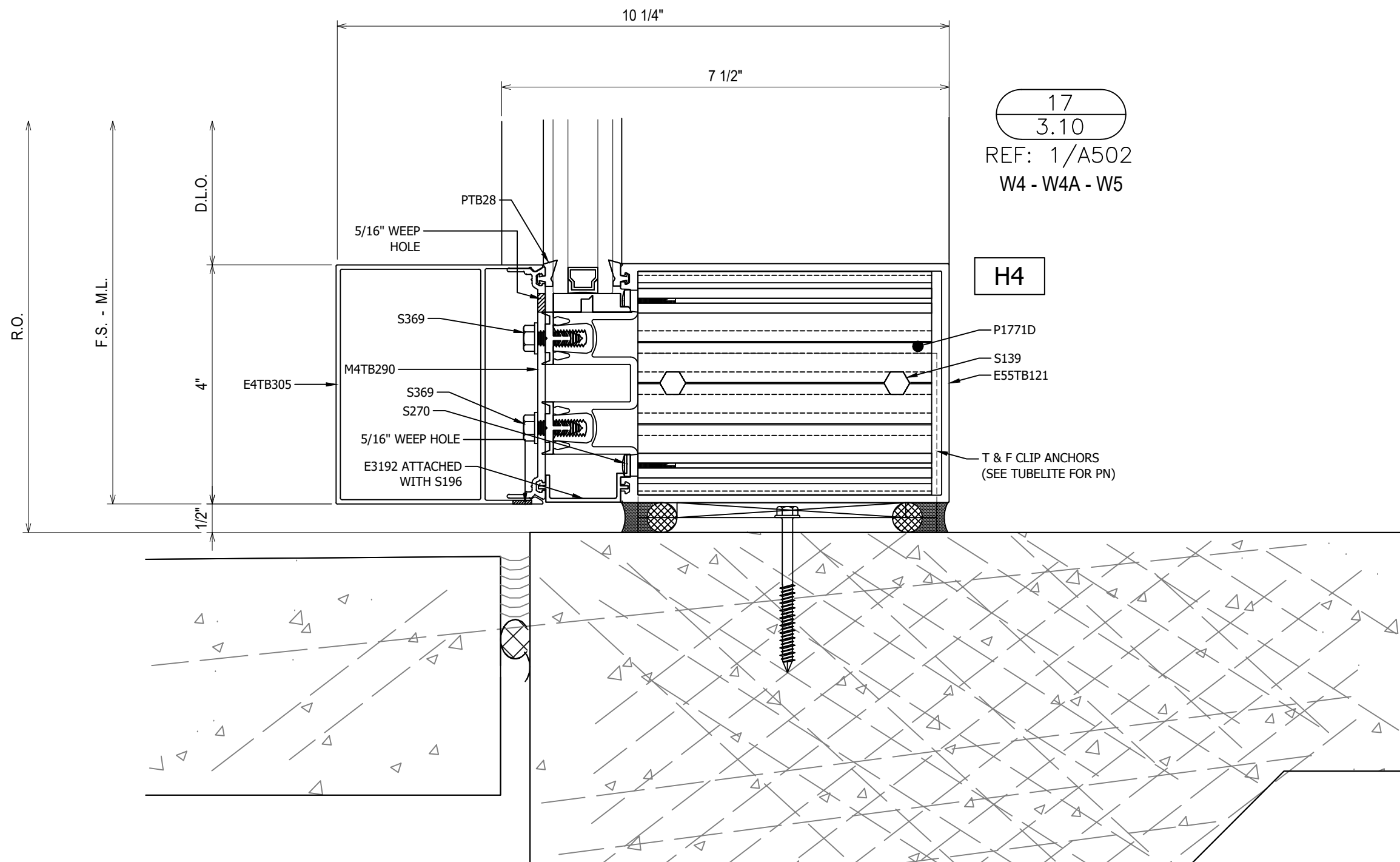
**CLAYTON COMMERCIAL GLAZING**  
**3210 US HIGHWAY 70W**  
**SMITHFIELD, NC 27577**  
**P: 919.550.4024**

PROJECT: NORTH STATE BANK	
LOCATION: 2413 BLUE RIDGE RD.	
RALEIGH, NC 27607	

DRAWN BY: CW	DATE: 03.21.22
CHECKED BY: BT	DATE: 03.21.22
JOB NO.:	

3.09





17  
3.10  
REF: 1/A502  
W4 - W4A - W5

H4

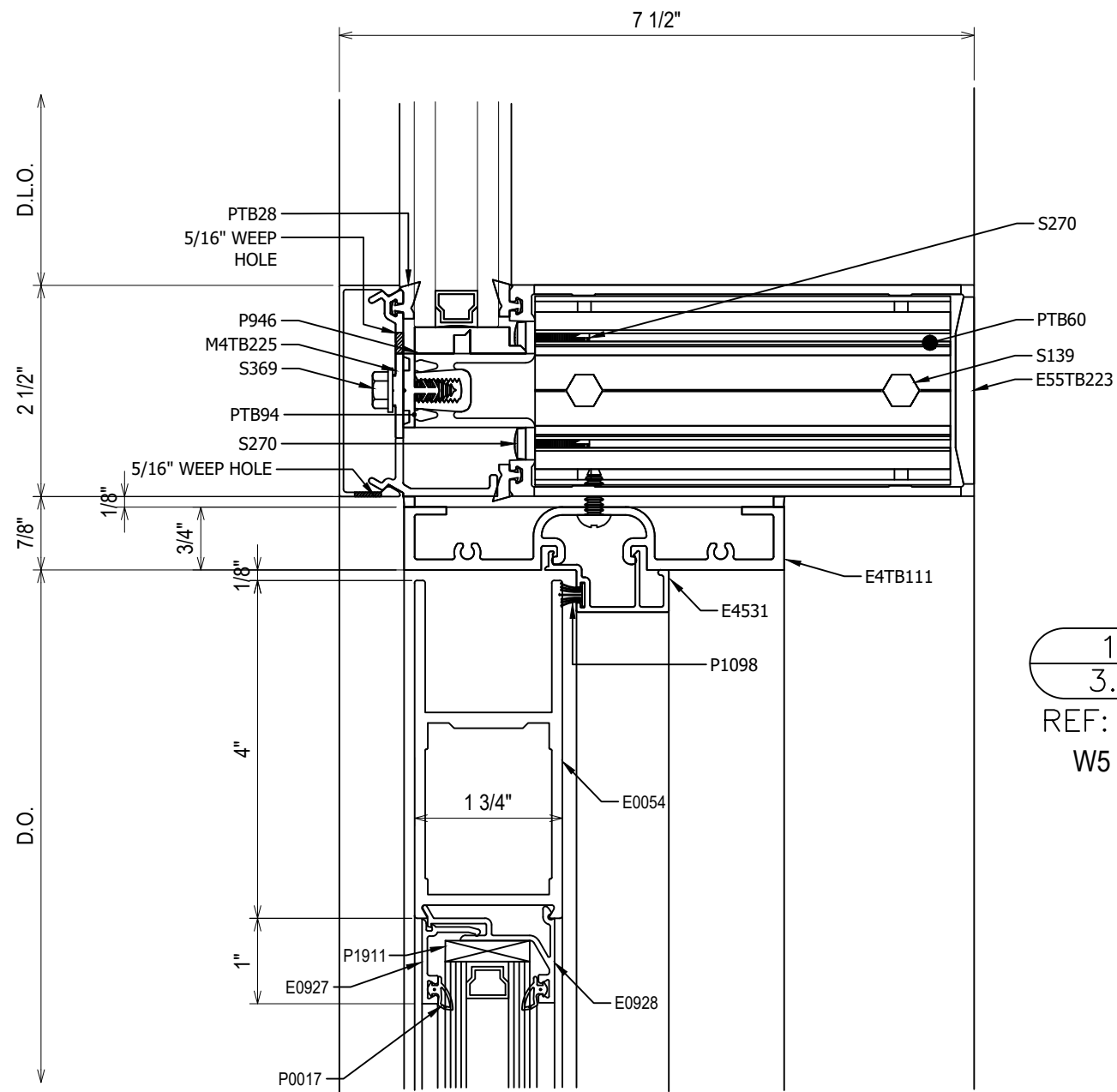
NO	DESCRIPTION	DATE
1	1ST REVISION	05.13.22
2	1ST SUBMISSION	03.21.22

CLAYTON COMMERCIAL GLAZING  
3210 US HIGHWAY 70W  
SMITHFIELD, NC 27577  
P: 919.550.4024

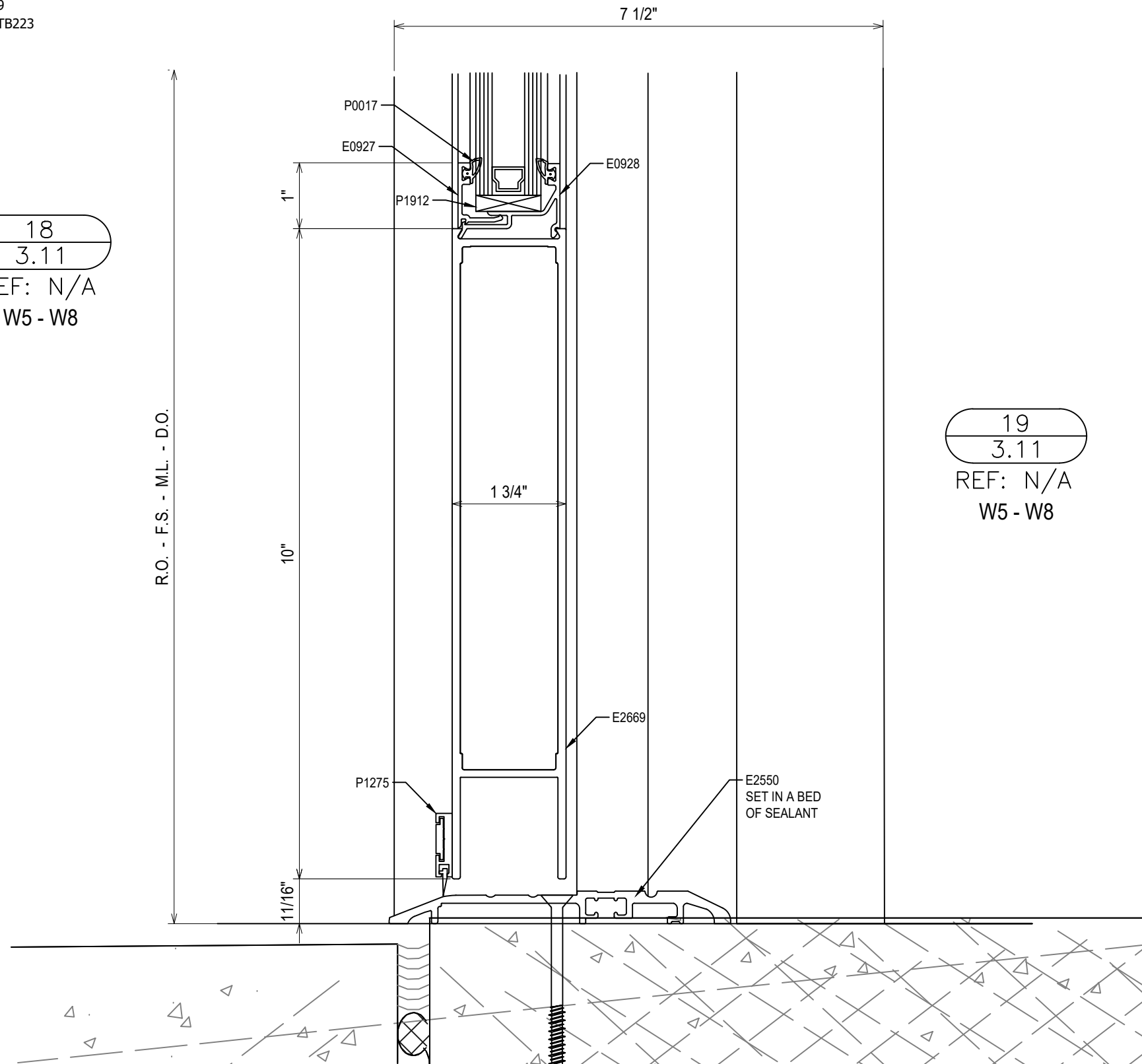
PROJECT: NORTH STATE BANK  
LOCATION: 2413 BLUE RIDGE RD.  
RALEIGH, NC 27607

DRAWN BY: CW DATE: 03.21.22  
CHECKED BY: BT DATE: 03.21.22  
JOB NO.:

3.10



R.O. - F.S. - M.L. - D.O.



NO	DESCRIPTION	DATE
1ST REVISION		05.13.22
1ST SUBMISSION		03.21.22

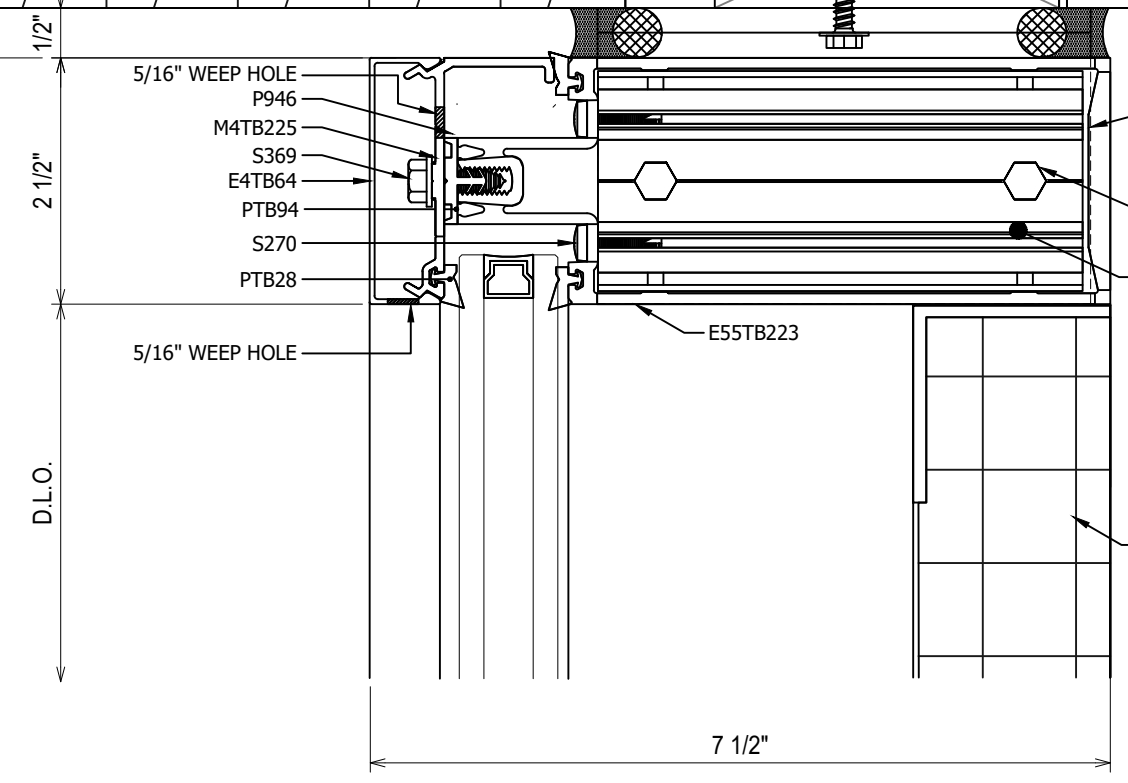
CLAYTON COMMERCIAL GLAZING  
 3210 US HIGHWAY 70W  
 SMITHFIELD, NC 27577  
 P: 919.550.4024

PROJECT: NORTH STATE BANK  
 LOCATION: 2413 BLUE RIDGE RD.  
 RALEIGH, NC 27607

DRAWN BY:	DATE:
CW	03.21.22
CHECKED BY:	DATE:
BT	03.21.22
JOB NO.:	

3.11

R.O.  
F.S. - M.L.  
D.L.O.



BLOCKING  
(NOT BY CLAYTON  
COMMERCIAL GLAZING)

T & F CLIP ANCHORS  
(SEE TUBELITE FOR PN)

S139

PTB60

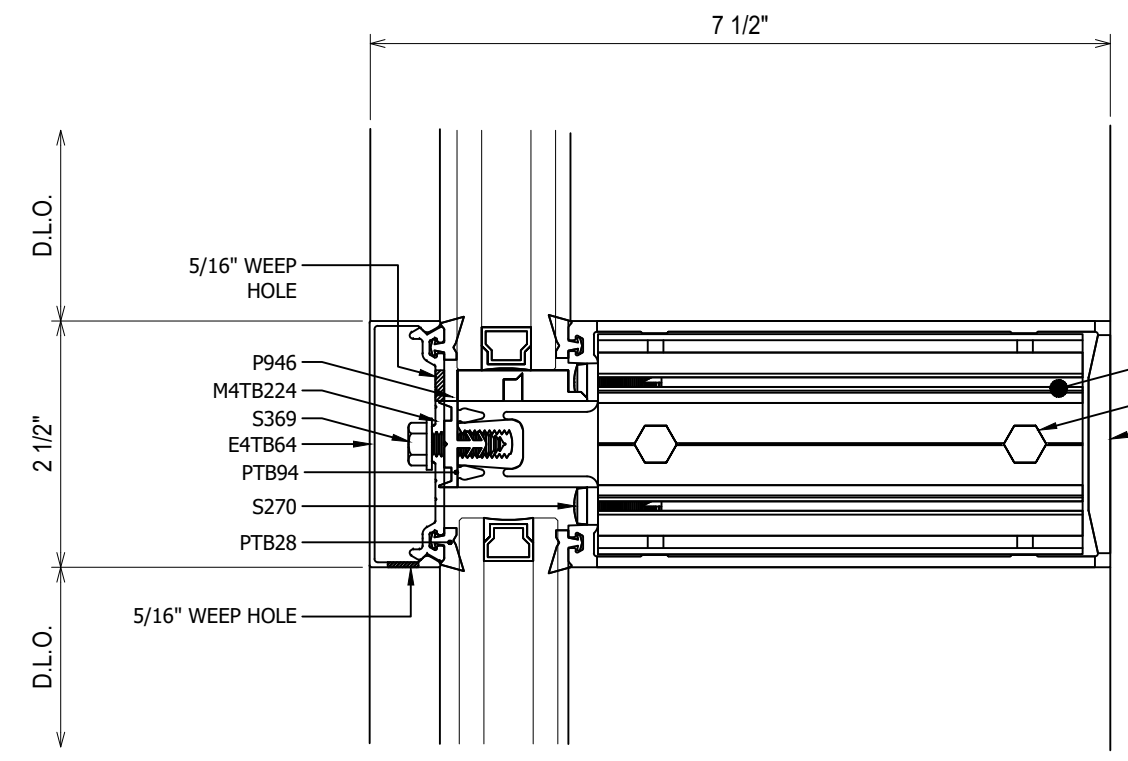
H1

20  
3.12

REF: N/A  
W6 - W7 - W8 - W9  
W10 - W11 - W15

CURTAINWALL INSULATION

7 1/2"



H2

21  
3.12

REF: N/A  
W6 - W7 - W8 - W9  
W10 - W11 - W14 - W15

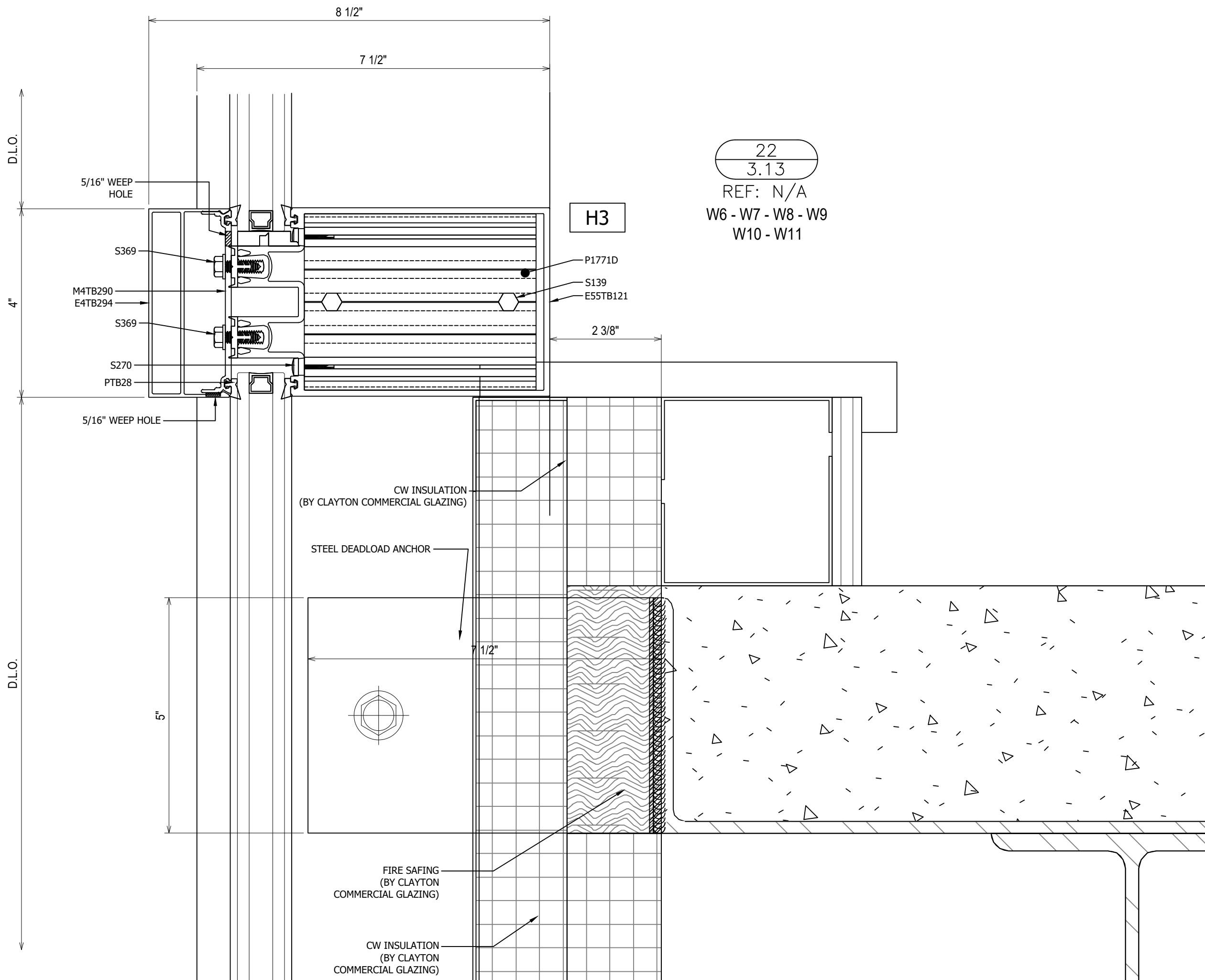
NO	DESCRIPTION	DATE
1ST REVISION		05.13.22
1ST SUBMISSION		03.21.22

CLAYTON COMMERCIAL GLAZING  
3210 US HIGHWAY 70W  
SMITHFIELD, NC 27577  
P: 919.550.4024

PROJECT: NORTH STATE BANK  
LOCATION: 2413 BLUE RIDGE RD.  
RALEIGH, NC 27607

DRAWN BY:	DATE:
CW	03.21.22
CHECKED BY:	DATE:
BT	03.21.22

JOB NO.:  
3.12



22  
 3.13

REF: N/A  
 W6 - W7 - W8 - W9  
 W10 - W11

H3

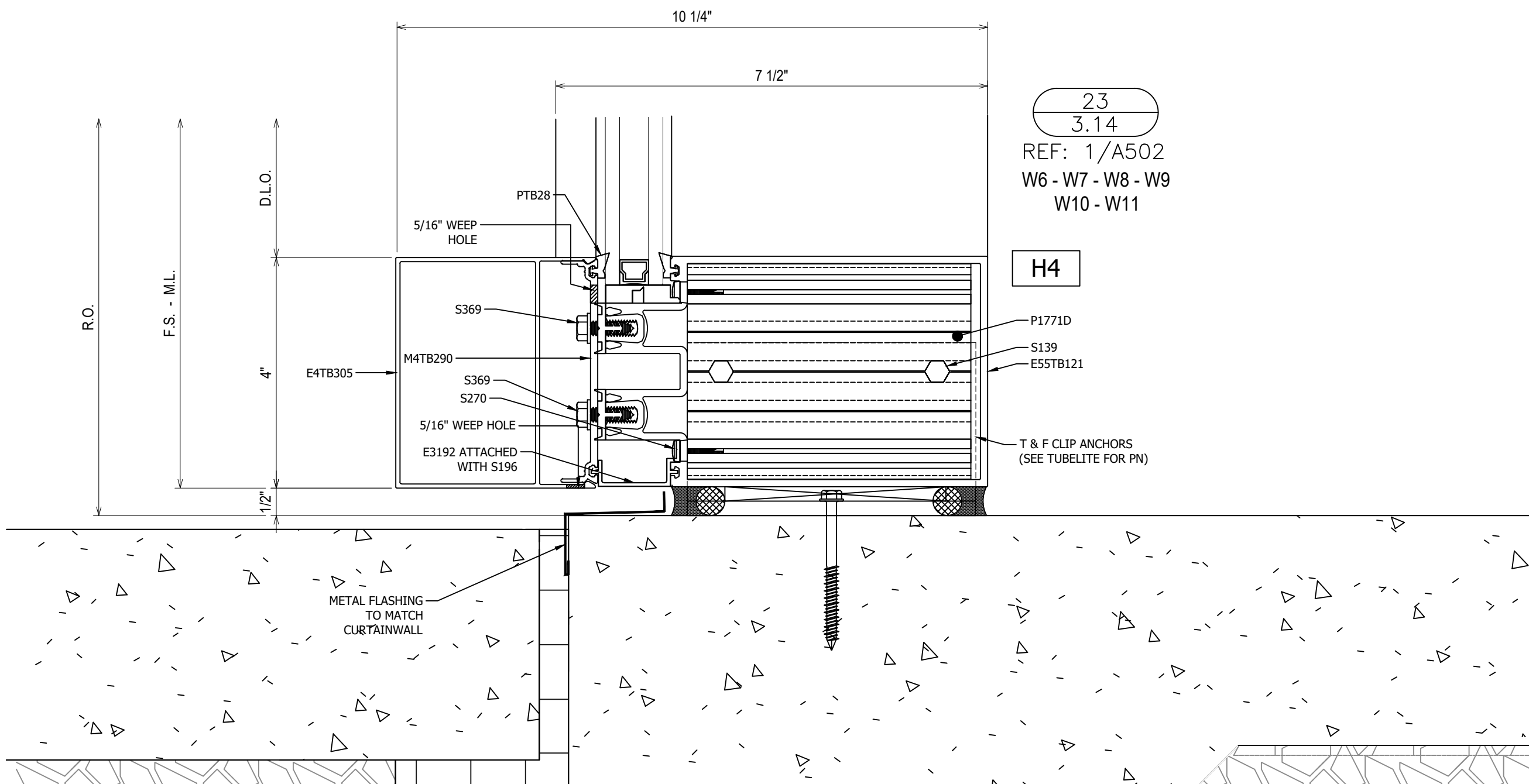
NO	DESCRIPTION	DATE
1	1ST REVISION	05.13.22
2	1ST SUBMISSION	03.21.22

CLAYTON COMMERCIAL GLAZING  
 3210 US HIGHWAY 70W  
 SMITHFIELD, NC 27577  
 P: 919.550.4024

PROJECT:	NORTH STATE BANK
LOCATION:	2413 BLUE RIDGE RD. RALEIGH, NC 27607

DRAWN BY:	CW	DATE:	03.21.22
CHECKED BY:	BT	DATE:	03.21.22
JOB NO.:			

3.13



23  
3.14

REF: 1/A502  
W6 - W7 - W8 - W9  
W10 - W11

H4

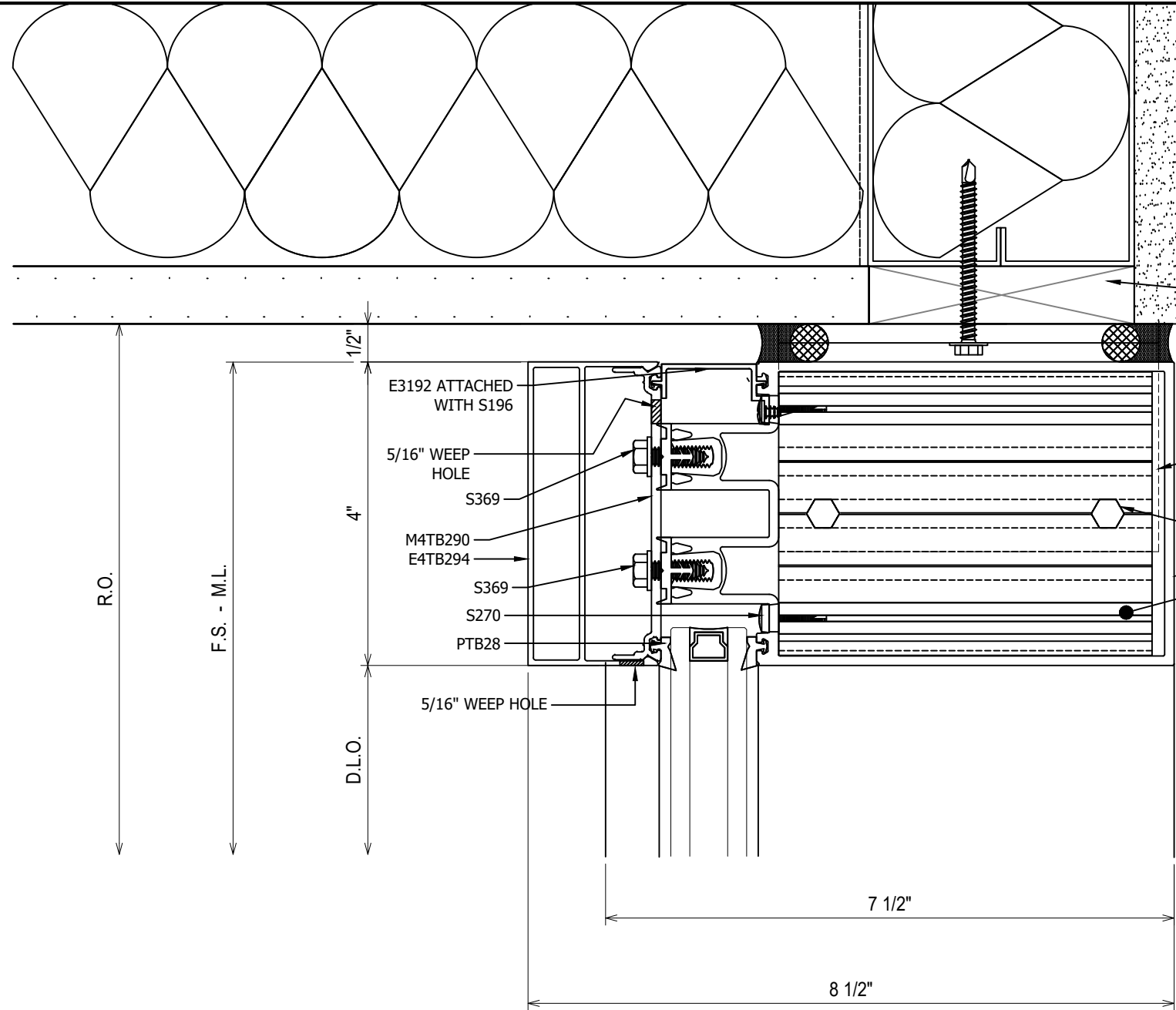
NO	DESCRIPTION	DATE
1	1ST REVISION	05.13.22
2	1ST SUBMISSION	03.21.22

CLAYTON COMMERCIAL GLAZING  
3210 US HIGHWAY 70W  
SMITHFIELD, NC 27577  
P: 919.550.4024

PROJECT:	NORTH STATE BANK
LOCATION:	2413 BLUE RIDGE RD. RALEIGH, NC 27607

DRAWN BY:	CW	DATE:	03.21.22
CHECKED BY:	BT	DATE:	03.21.22
JOB NO.:			

3.14



BLOCKING  
(NOT BY CLAYTON COMMERCIAL GLAZING)

T & F CLIP ANCHORS  
(SEE CHART FOR PN)

24  
3.15

REF: N/A  
W14

R.O.

F.S. - M.L.

D.L.O.

E3192 ATTACHED WITH S196  
5/16" WEEP HOLE  
S369  
M4TB290  
E4TB294  
S369  
S270  
PTB28

S139  
E55TB121  
P1771D

7 1/2"  
8 1/2"

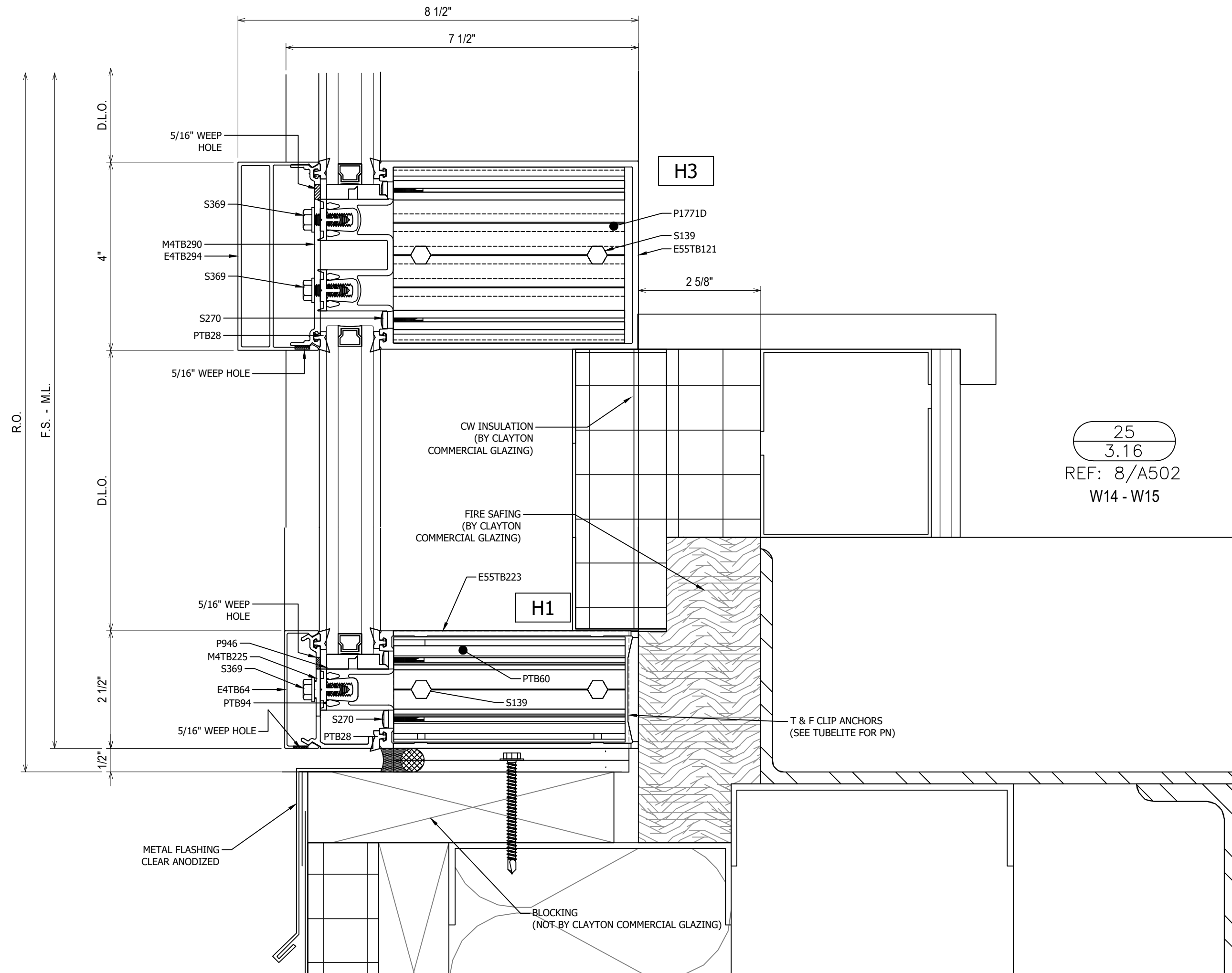
NO	DESCRIPTION	DATE
1	1ST REVISION	05.13.22
2	1ST SUBMISSION	03.21.22

CLAYTON COMMERCIAL GLAZING  
3210 US HIGHWAY 70W  
SMITHFIELD, NC 27577  
P: 919.550.4024

PROJECT:	NORTH STATE BANK
LOCATION:	2413 BLUE RIDGE RD. RALEIGH, NC 27607

DRAWN BY:	CW	DATE:	03.21.22
CHECKED BY:	BT	DATE:	03.21.22
JOB NO.:			

3.15



25  
3.16

REF: 8/A502  
W14 - W15

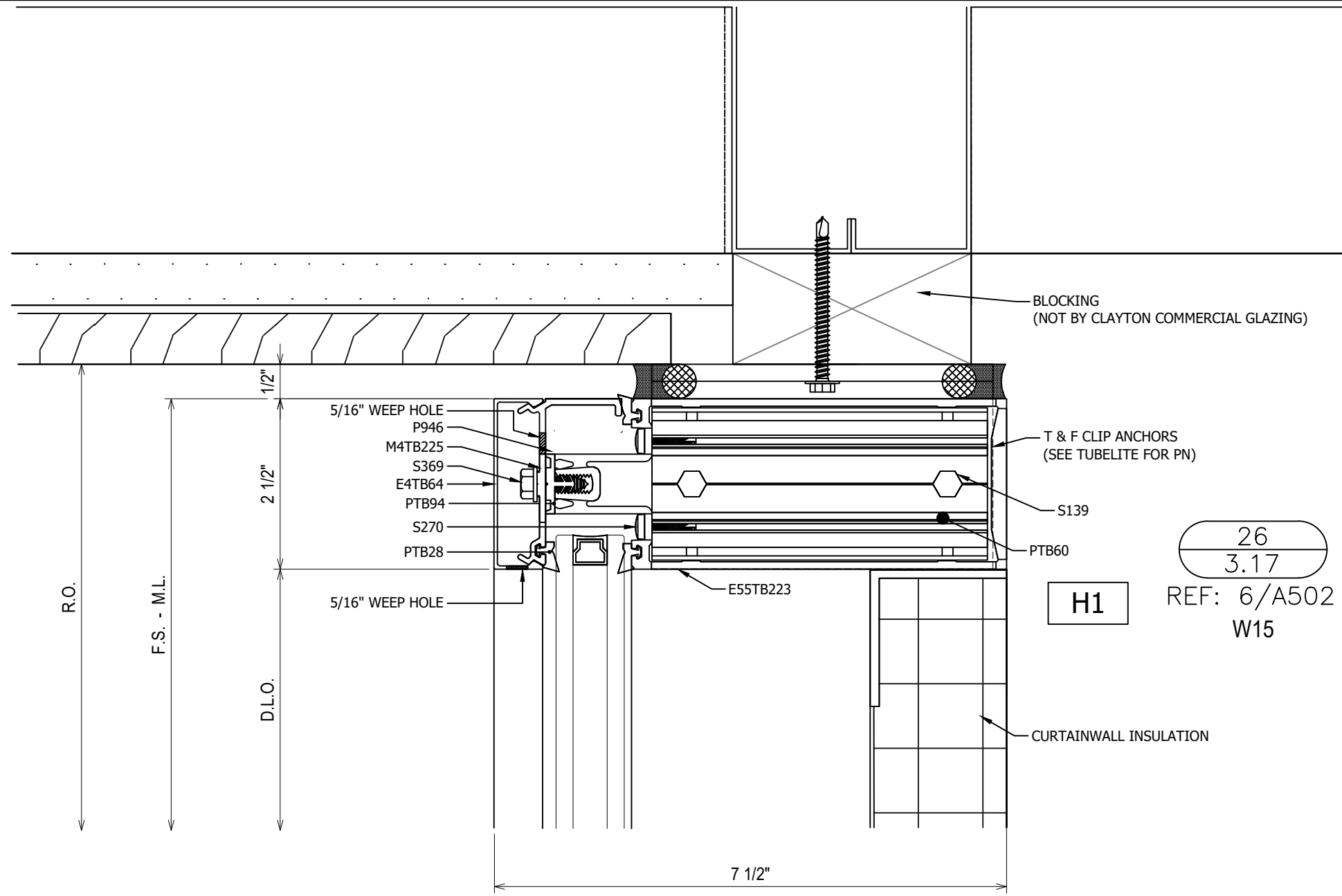
NO	DESCRIPTION	DATE
1	1ST REVISION	05.13.22
2	1ST SUBMISSION	03.21.22

CLAYTON COMMERCIAL GLAZING  
3210 US HIGHWAY 70W  
SMITHFIELD, NC 27577  
P: 919.550.4024

PROJECT: NORTH STATE BANK  
LOCATION: 2413 BLUE RIDGE RD.  
RALEIGH, NC 27607

DRAWN BY:	DATE:
CW	03.21.22
CHECKED BY:	DATE:
BT	03.21.22
JOB NO.:	

3.16



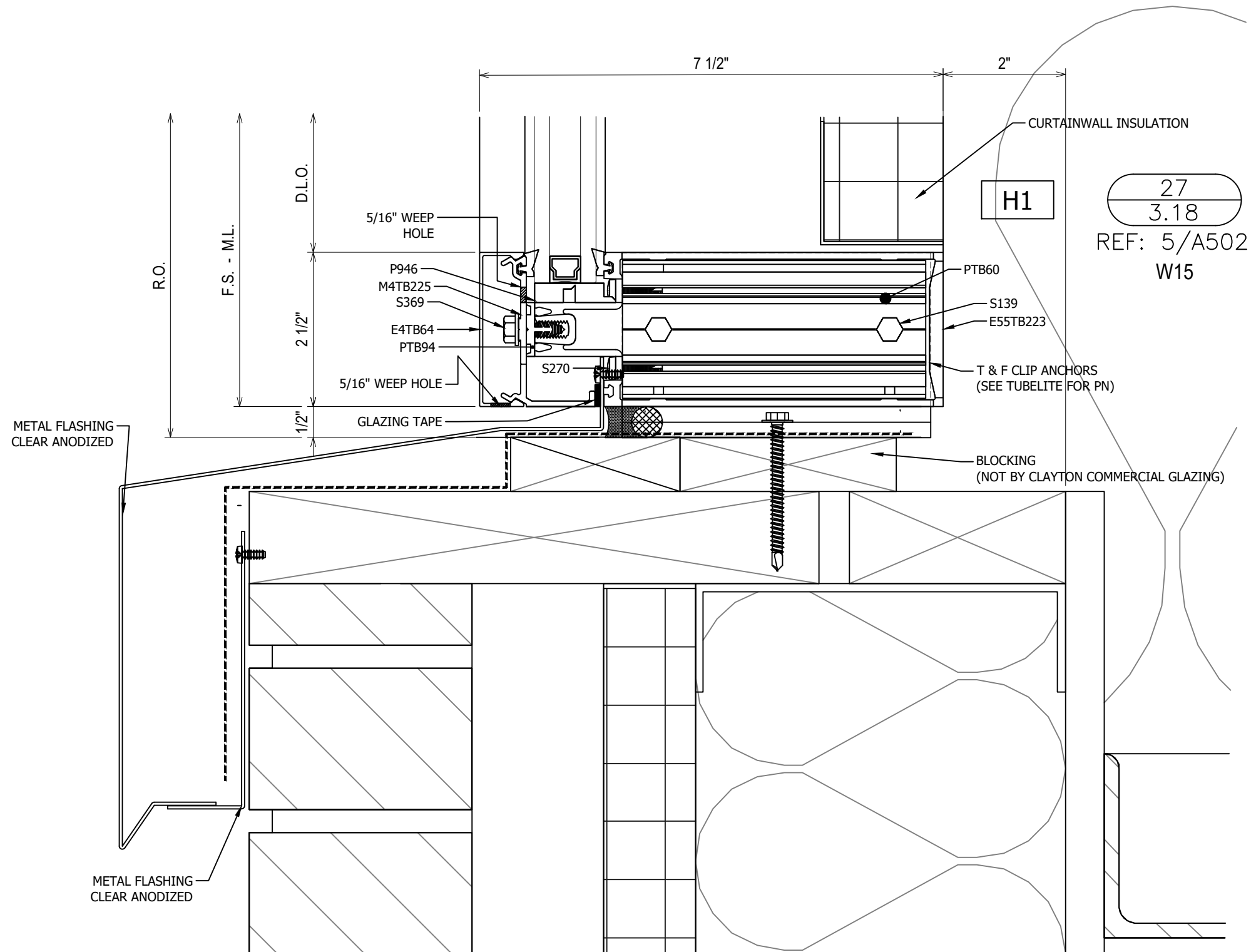
NO	DESCRIPTION	DATE
1	1ST REVISION	05.13.22
2	1ST SUBMISSION	03.21.22

CLAYTON COMMERCIAL GLAZING  
 3210 US HIGHWAY 70W  
 SMITHFIELD, NC 27577  
 P: 919.550.4024

PROJECT: NORTH STATE BANK  
 LOCATION: 2413 BLUE RIDGE RD.  
 RALEIGH, NC 27607

DRAWN BY:	DATE:
CW	03.21.22
CHECKED BY:	DATE:
BT	03.21.22
JOB NO.:	





27  
3.18  
 REF: 5/A502  
 W15

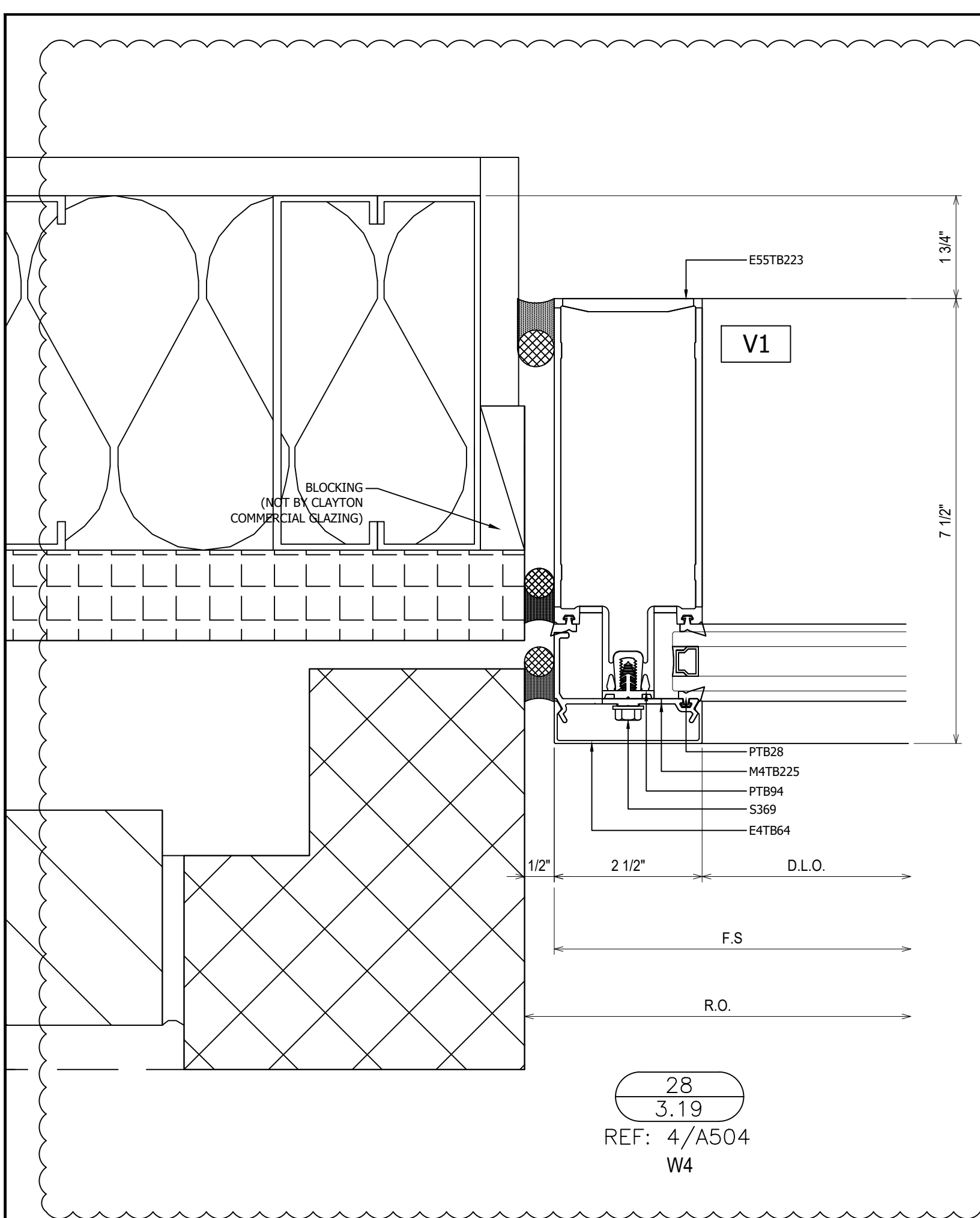
NO	DESCRIPTION	DATE	DRAWING SUBMISSION
1	1ST REVISION	05.13.22	
2	1ST SUBMISSION	03.21.22	

**CLAYTON COMMERCIAL GLAZING**  
 3210 US HIGHWAY 70W  
 SMITHFIELD, NC 27577  
 P: 919.550.4024

PROJECT: NORTH STATE BANK  
 LOCATION: 2413 BLUE RIDGE RD.  
 RALEIGH, NC 27607

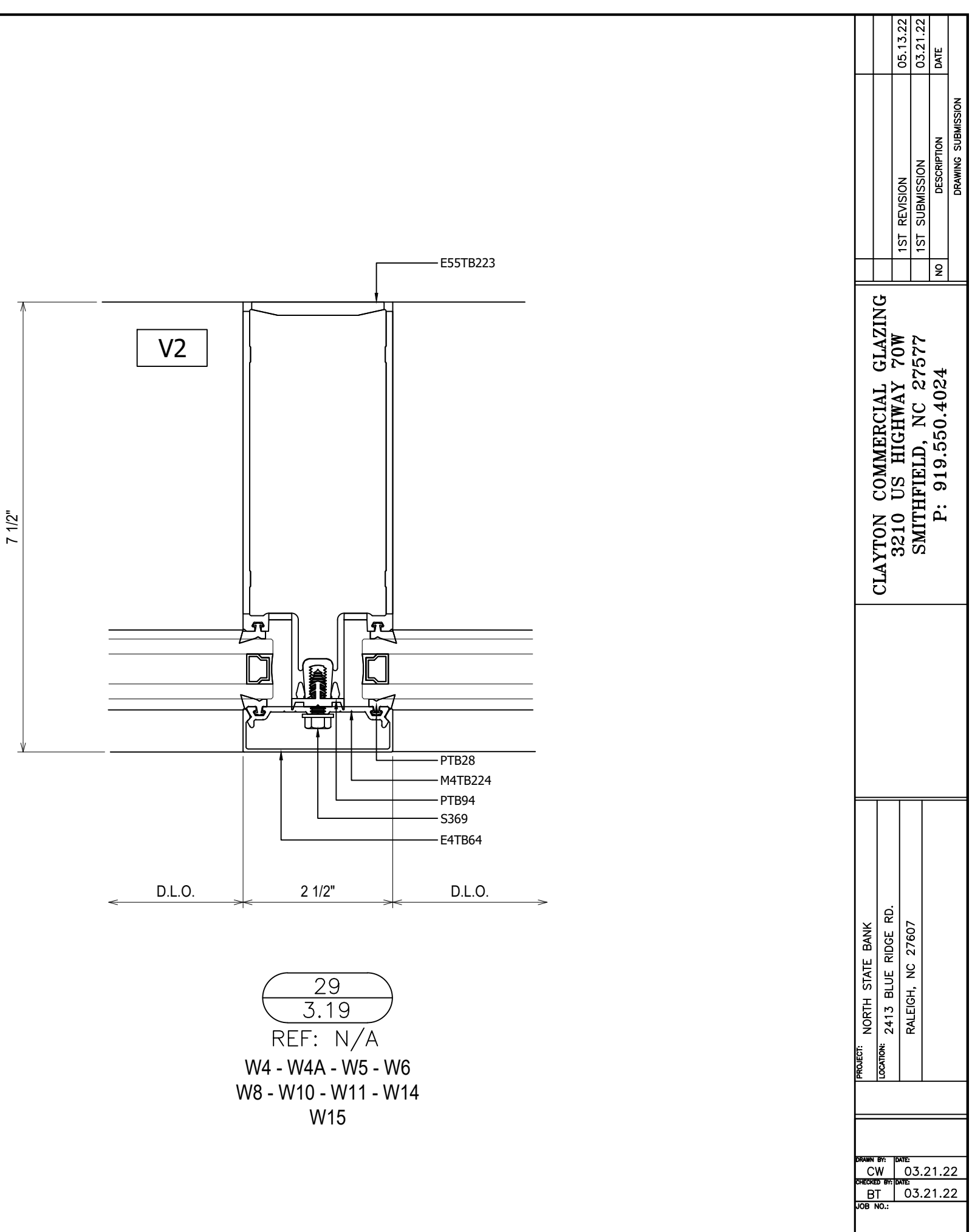
DRAWN BY: CW	DATE: 03.21.22
CHECKED BY: BT	DATE: 03.21.22
JOB NO.:	

3.18



28  
3.19

REF: 4/A504  
W4



29  
3.19

REF: N/A  
W4 - W4A - W5 - W6  
W8 - W10 - W11 - W14  
W15

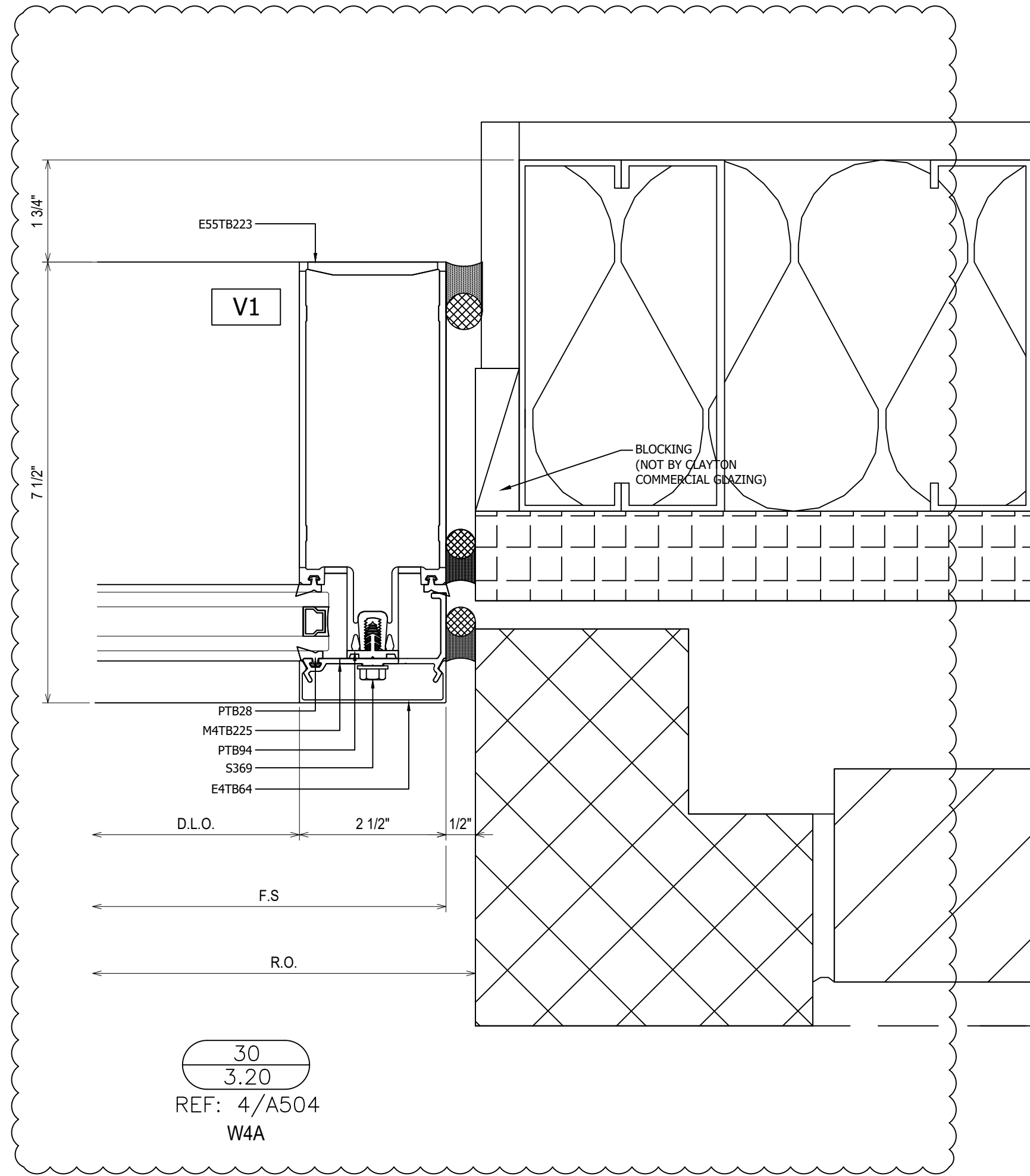
NO	DESCRIPTION	DATE
1	1ST REVISION	05.13.22
2	1ST SUBMISSION	03.21.22

CLAYTON COMMERCIAL GLAZING  
3210 US HIGHWAY 70W  
SMITHFIELD, NC 27577  
P: 919.550.4024

PROJECT: NORTH STATE BANK  
LOCATION: 2413 BLUE RIDGE RD.  
RALEIGH, NC 27607

DRAWN BY:	DATE:
CW	03.21.22
CHECKED BY:	DATE:
BT	03.21.22
JOB NO.:	

3.19



30  
3.20  
REF: 4/A504  
W4A

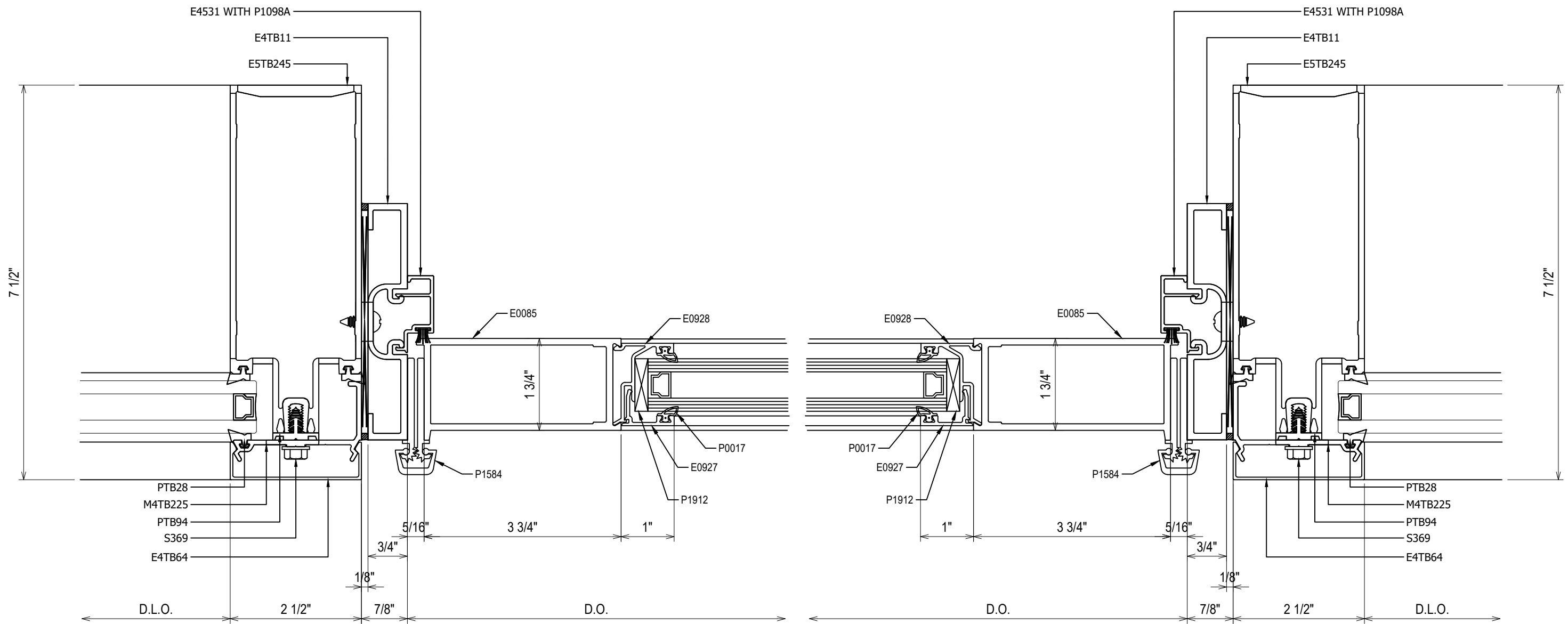
NO	DESCRIPTION	DATE
1	1ST REVISION	05.13.22
2	1ST SUBMISSION	03.21.22

CLAYTON COMMERCIAL GLAZING  
3210 US HIGHWAY 70W  
SMITHFIELD, NC 27577  
P: 919.550.4024

PROJECT: NORTH STATE BANK  
LOCATION: 2413 BLUE RIDGE RD.  
RALEIGH, NC 27607

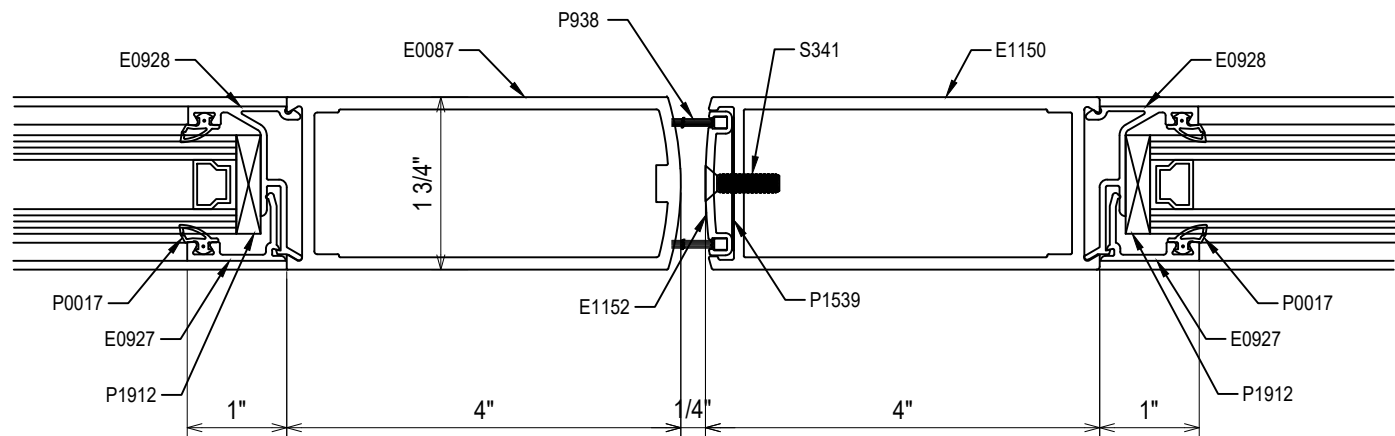
DRAWN BY:	DATE:
CW	03.21.22
CHECKED BY:	DATE:
BT	03.21.22

JOB NO.:  
3.20



31  
3.21  
REF: N/A  
W5 - W8

32  
3.21  
REF: N/A  
W5 - W8



33  
3.21  
REF: N/A  
W5 - W8

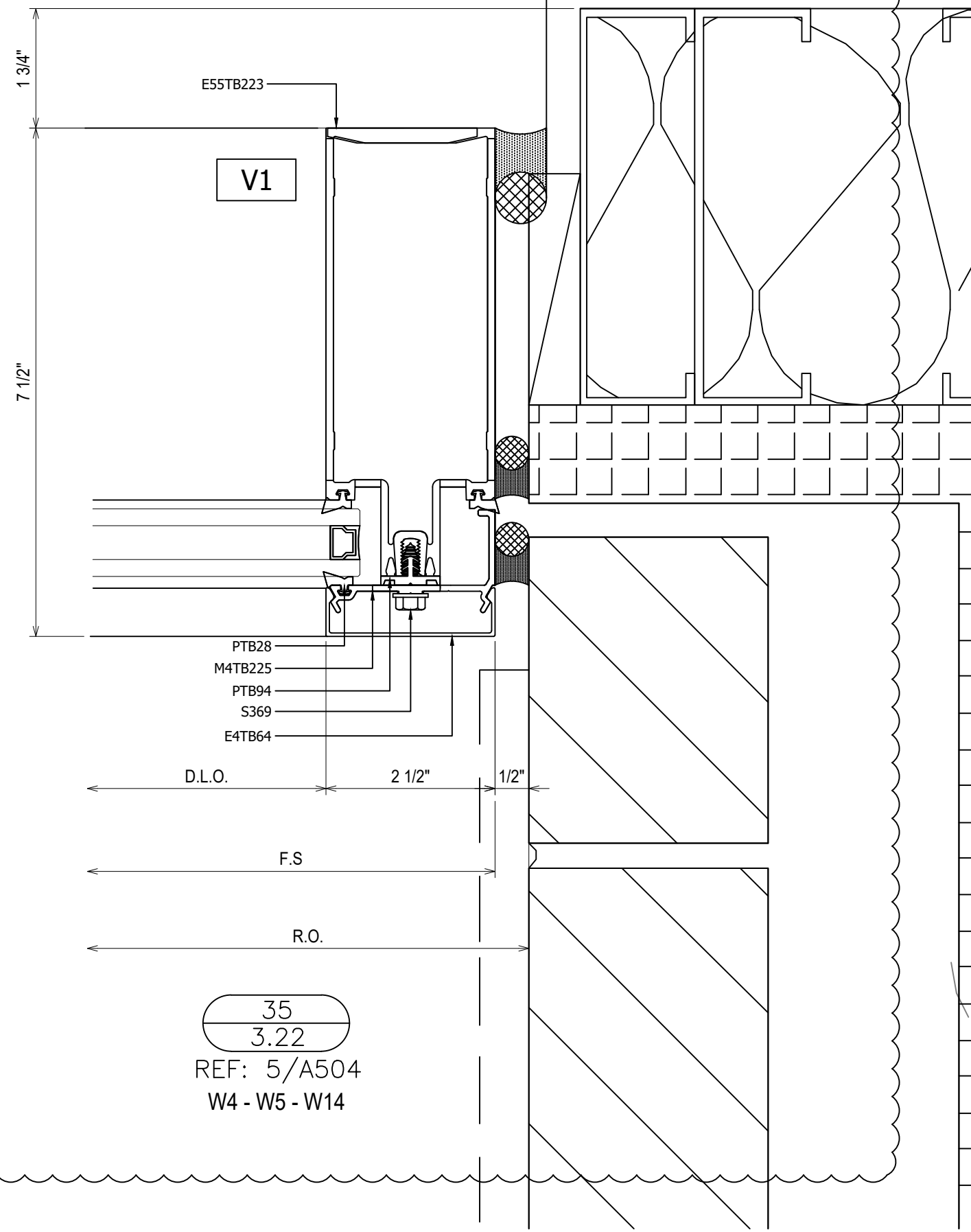
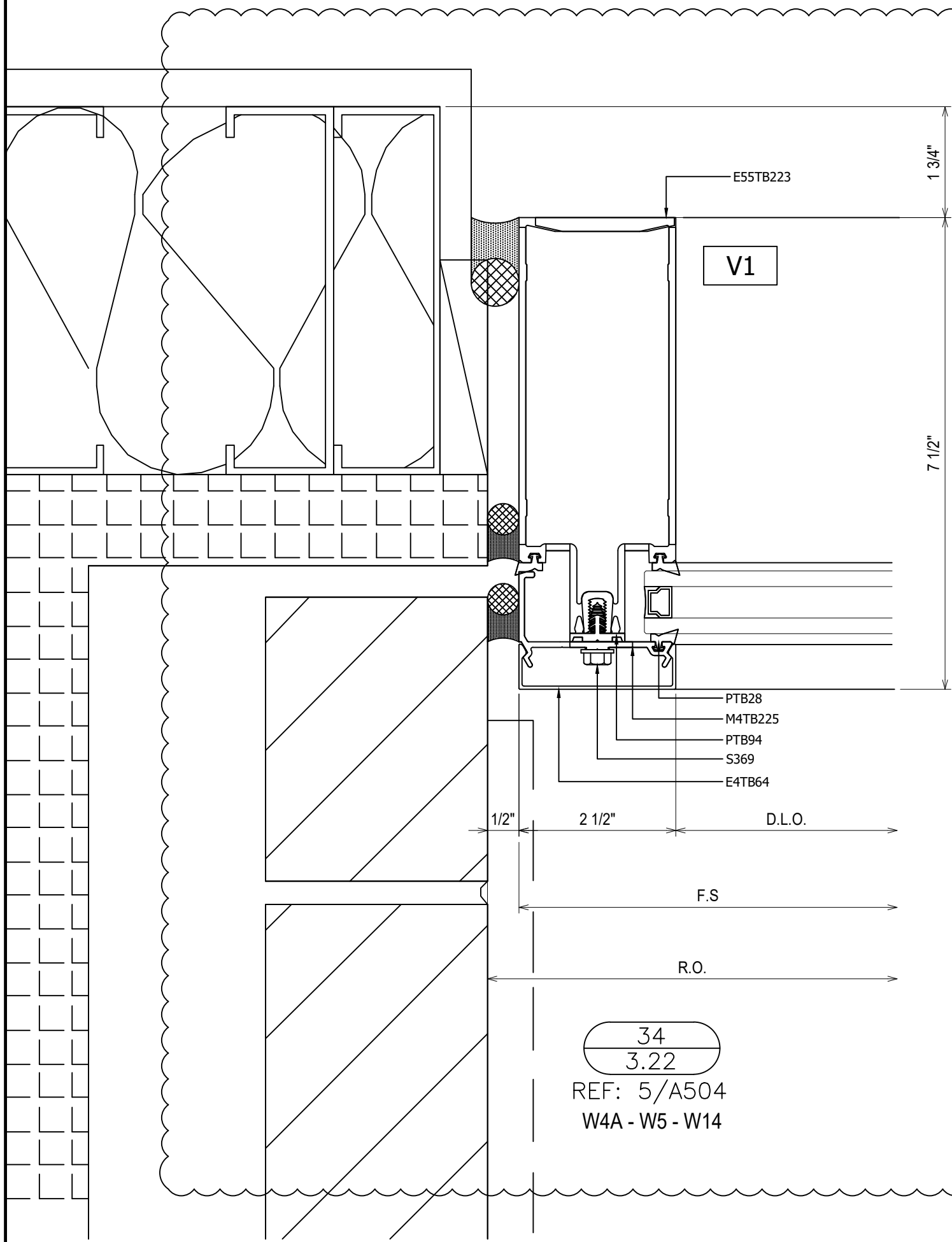
NO	DESCRIPTION	DATE
1ST SUBMISSION		03.21.22
1ST REVISION		05.13.22

CLAYTON COMMERCIAL GLAZING  
3210 US HIGHWAY 70W  
SMITHFIELD, NC 27577  
P: 919.550.4024

PROJECT: NORTH STATE BANK  
LOCATION: 2413 BLUE RIDGE RD.  
RALEIGH, NC 27607

DRAWN BY:	DATE:
CW	03.21.22
CHECKED BY:	DATE:
BT	03.21.22
JOB NO.:	

3.21



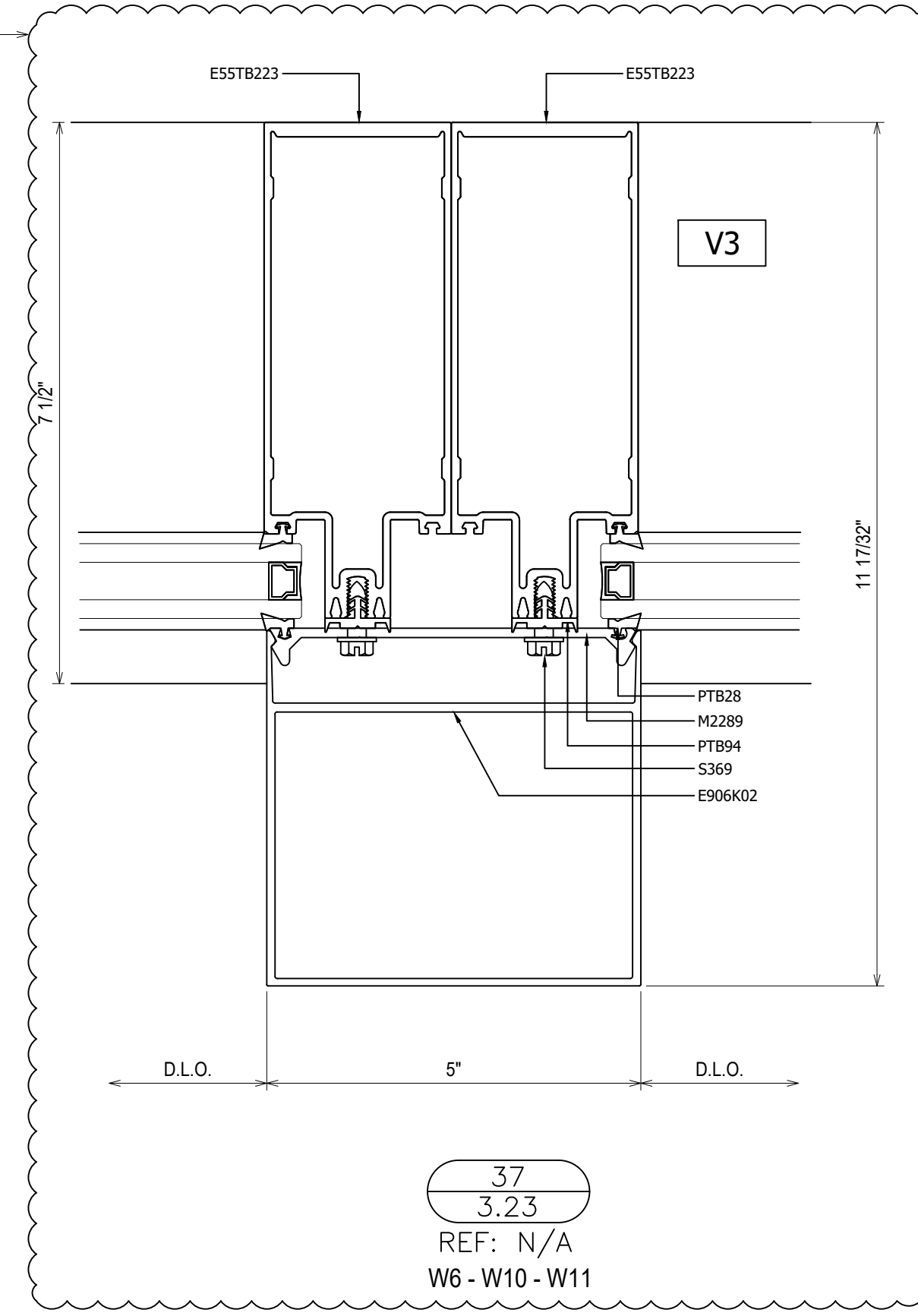
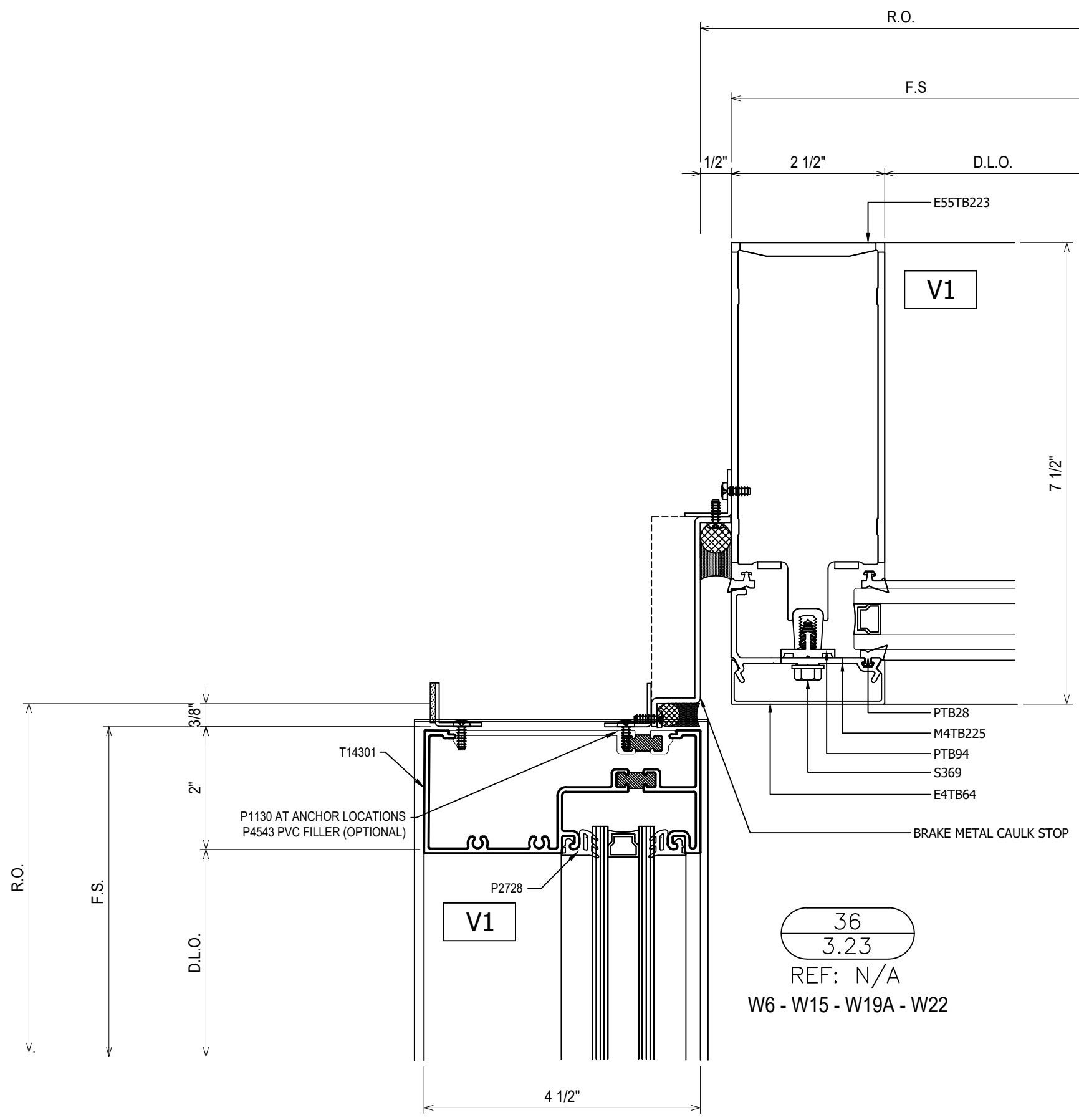
NO	DESCRIPTION	DATE
1	1ST REVISION	05.13.22
2	1ST SUBMISSION	03.21.22

CLAYTON COMMERCIAL GLAZING  
 3210 US HIGHWAY 70W  
 SMITHFIELD, NC 27577  
 P: 919.550.4024

PROJECT: NORTH STATE BANK  
 LOCATION: 2413 BLUE RIDGE RD.  
 RALEIGH, NC 27607

DRAWN BY:	DATE:
CW	03.21.22
CHECKED BY:	DATE:
BT	03.21.22
JOB NO.:	

3.22



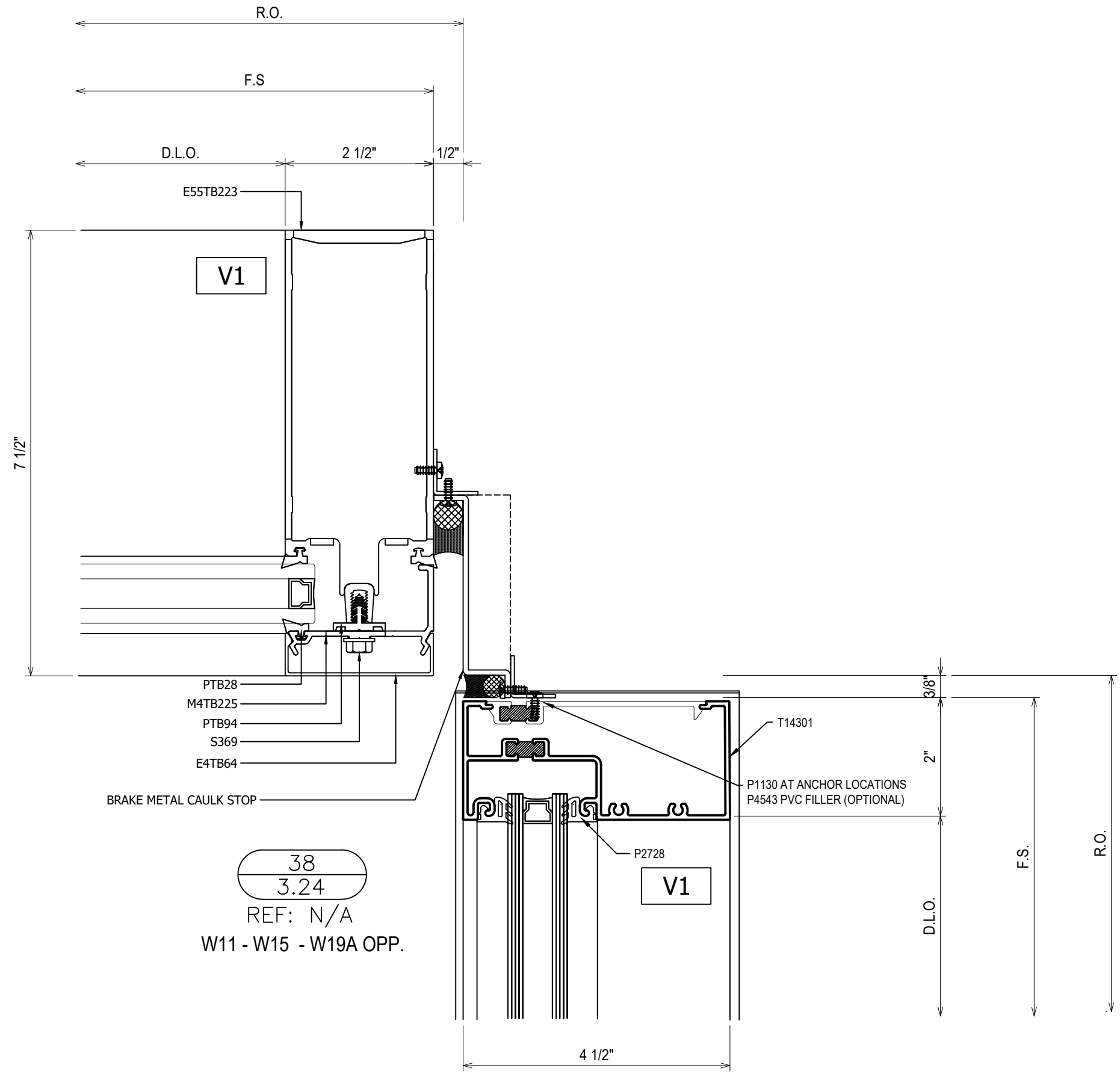
NO	DESCRIPTION	DATE
1ST SUBMISSION		03.21.22
1ST REVISION		05.13.22

CLAYTON COMMERCIAL GLAZING  
3210 US HIGHWAY 70W  
SMITHFIELD, NC 27577  
P: 919.550.4024

PROJECT: NORTH STATE BANK  
LOCATION: 2413 BLUE RIDGE RD.  
RALEIGH, NC 27607

DRAWN BY:	DATE:
CW	03.21.22
CHECKED BY:	DATE:
BT	03.21.22
JOB NO.:	

3.23



38  
3.24  
REF: N/A  
W11 - W15 - W19A OPP.

NO	DESCRIPTION	DATE
1ST REVISION		05.13.22
1ST SUBMISSION		03.21.22

CLAYTON COMMERCIAL GLAZING  
3210 US HIGHWAY 70W  
SMITHFIELD, NC 27577  
P: 919.550.4024

PROJECT:	NORTH STATE BANK
LOCATION:	2413 BLUE RIDGE RD. RALEIGH, NC 27607

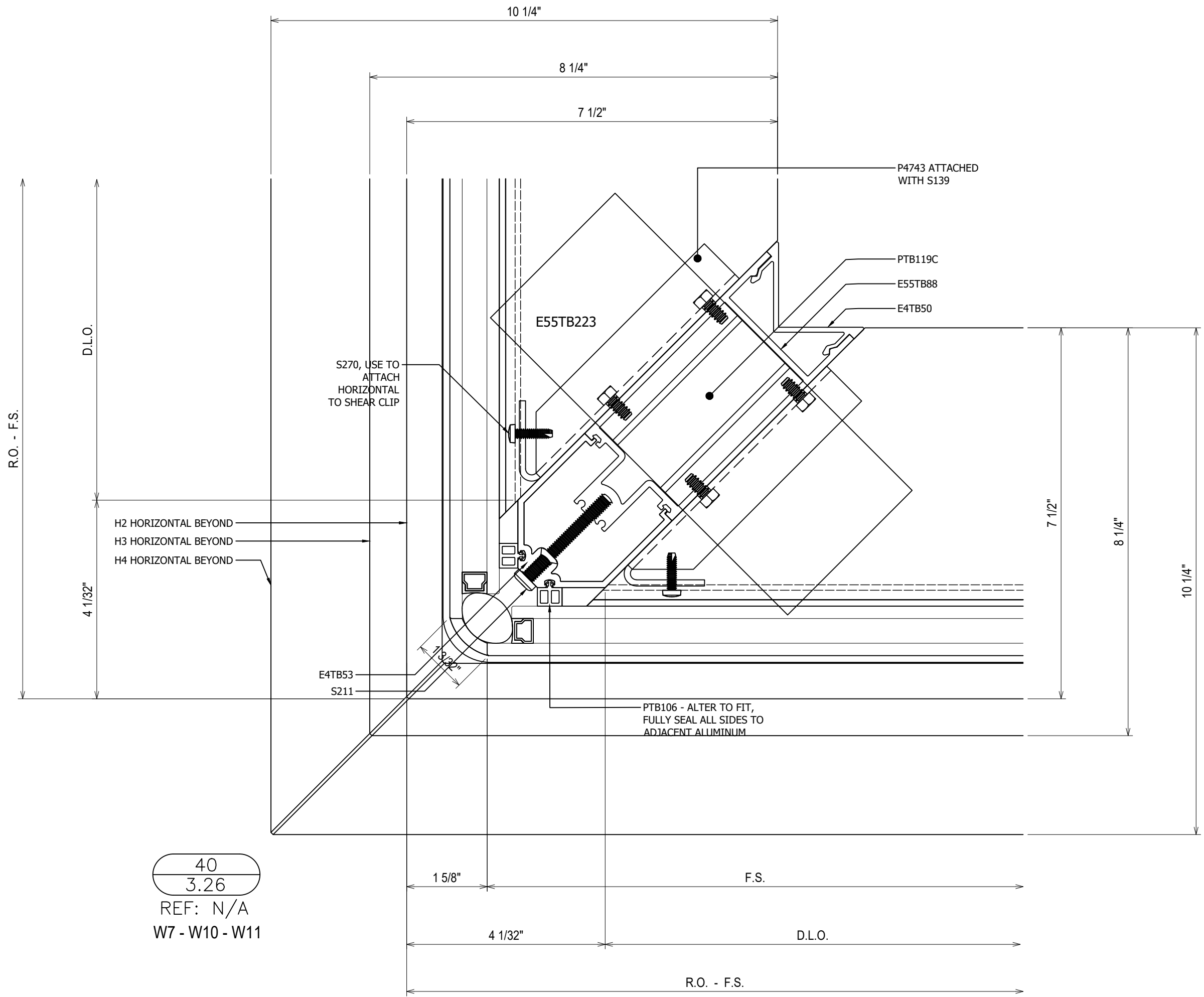
DRAWN BY:	DATE:
CW	03.21.22
CHECKED BY:	DATE:
BT	03.21.22

JOB NO.:  
3.24

DRAWING SUBMISSION







40  
3.26  
REF: N/A  
W7 - W10 - W11

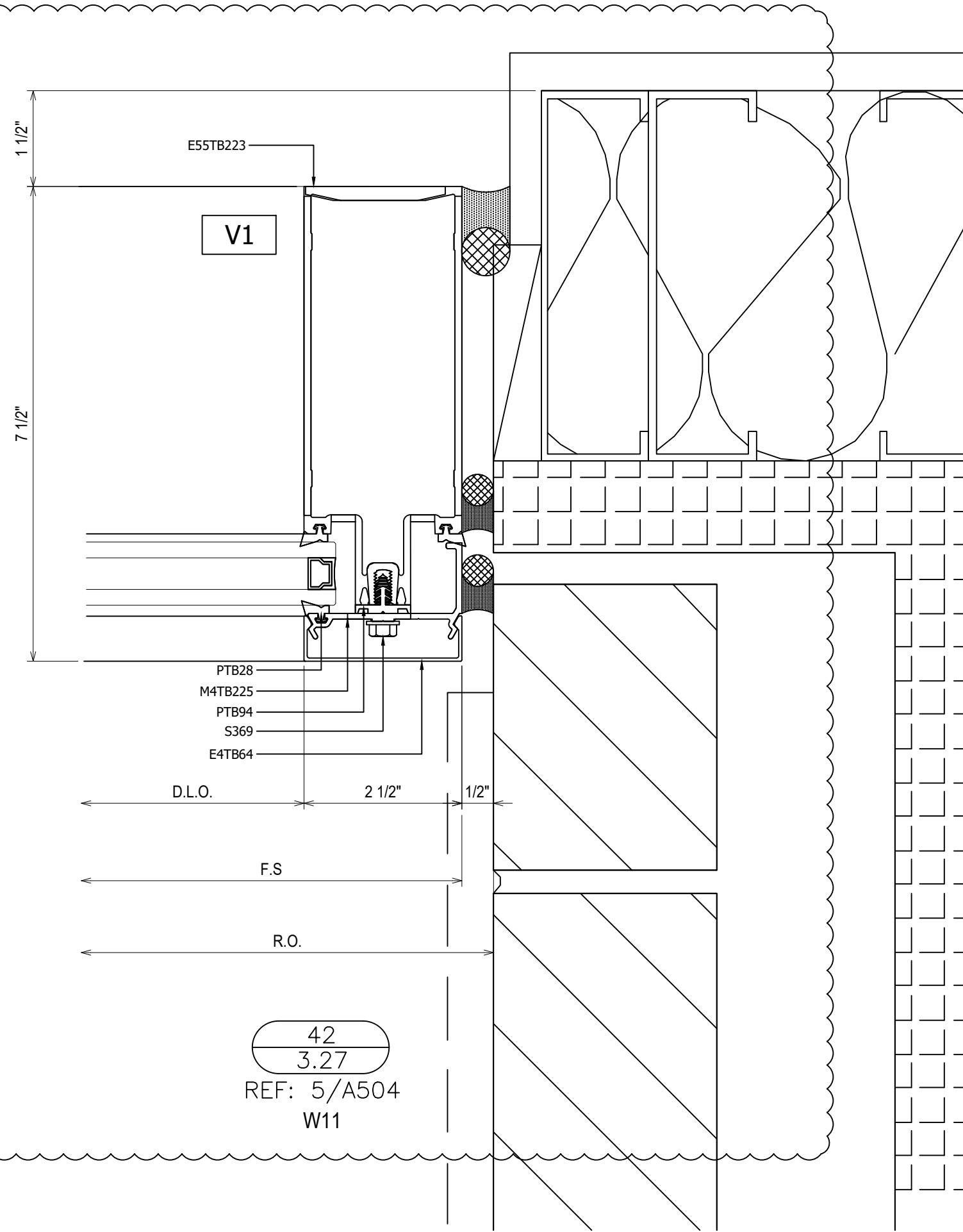
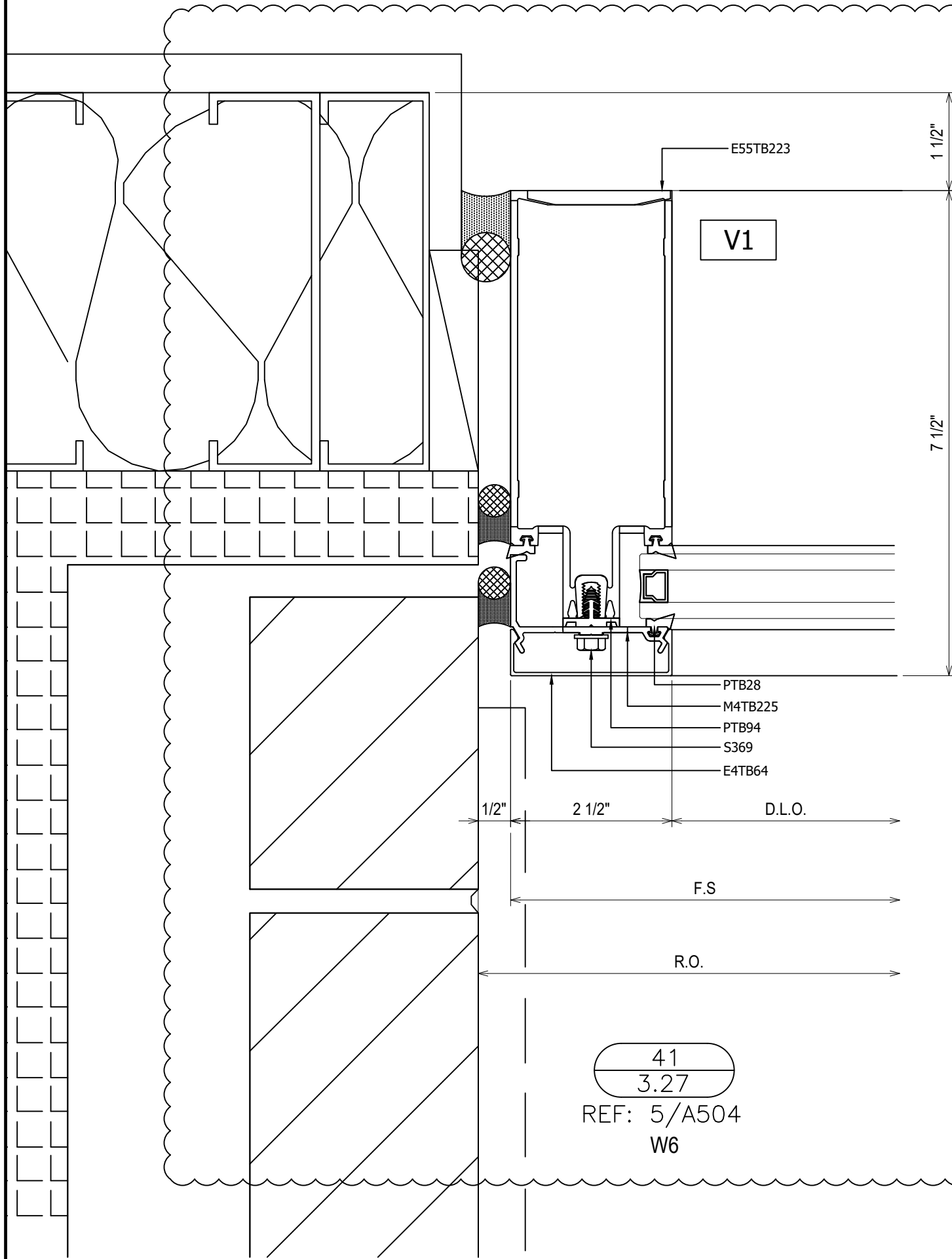
NO	DESCRIPTION	DATE
1	1ST REVISION	05.13.22
2	1ST SUBMISSION	03.21.22

CLAYTON COMMERCIAL GLAZING  
3210 US HIGHWAY 70W  
SMITHFIELD, NC 27577  
P: 919.550.4024

PROJECT: NORTH STATE BANK  
LOCATION: 2413 BLUE RIDGE RD.  
RALEIGH, NC 27607

DRAWN BY:	DATE:
CW	03.21.22
CHECKED BY:	DATE:
BT	03.21.22
JOB NO.:	

3.26

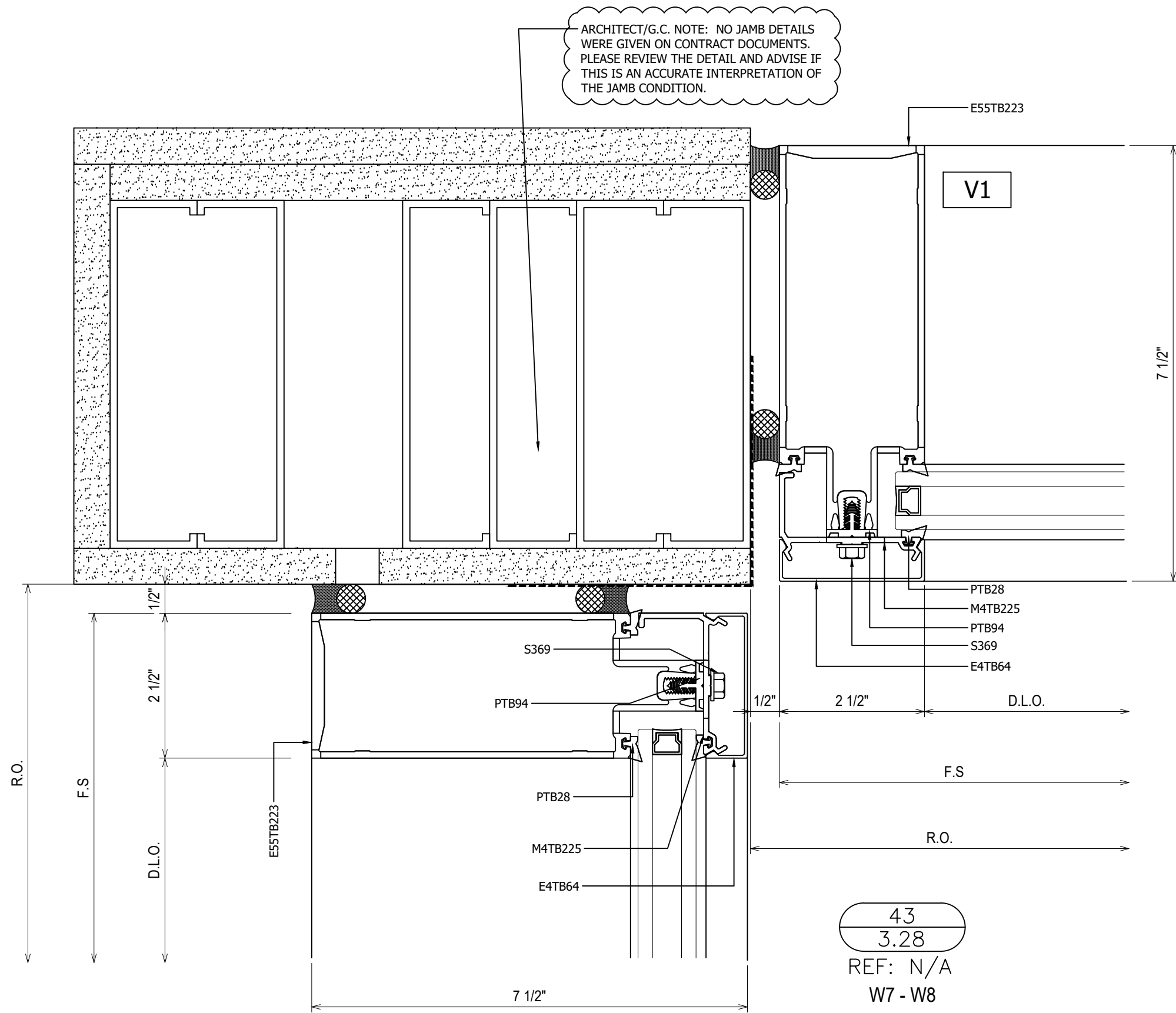


NO	DESCRIPTION	DATE
1ST REVISION		05.13.22
1ST SUBMISSION		03.21.22

CLAYTON COMMERCIAL GLAZING  
 3210 US HIGHWAY 70W  
 SMITHFIELD, NC 27577  
 P: 919.550.4024

PROJECT:	NORTH STATE BANK
LOCATION:	2413 BLUE RIDGE RD. RALEIGH, NC 27607

DRAWN BY:	CW	DATE:	03.21.22
CHECKED BY:	BT	DATE:	03.21.22
JOB NO.:			



ARCHITECT/G.C. NOTE: NO JAMB DETAILS WERE GIVEN ON CONTRACT DOCUMENTS. PLEASE REVIEW THE DETAIL AND ADVISE IF THIS IS AN ACCURATE INTERPRETATION OF THE JAMB CONDITION.

43  
3.28  
REF: N/A  
W7 - W8

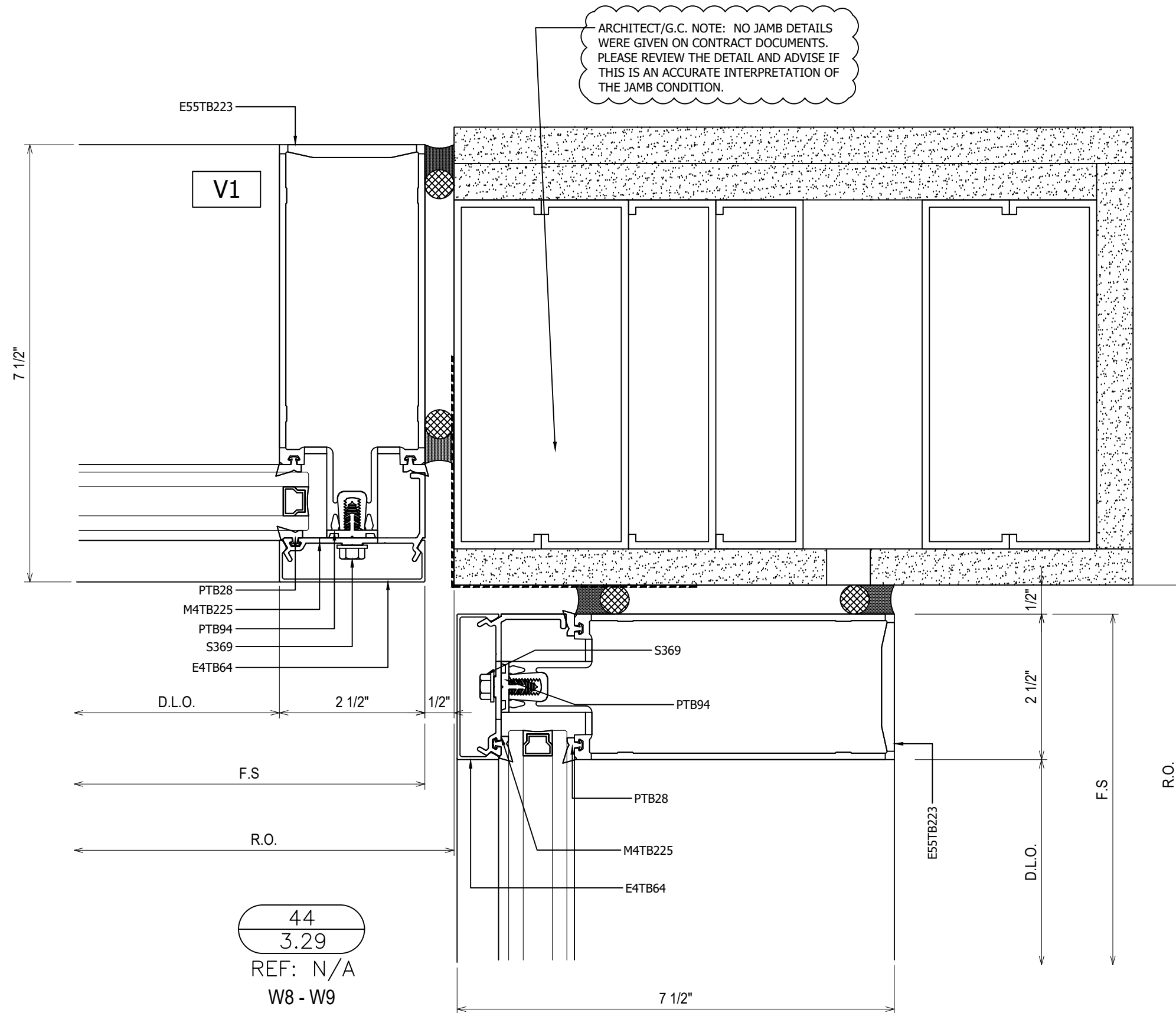
NO	DESCRIPTION	DATE
1ST REVISION		05.13.22
1ST SUBMISSION		03.21.22

CLAYTON COMMERCIAL GLAZING  
3210 US HIGHWAY 70W  
SMITHFIELD, NC 27577  
P: 919.550.4024

PROJECT:	NORTH STATE BANK
LOCATION:	2413 BLUE RIDGE RD. RALEIGH, NC 27607

DRAWN BY:	DATE:
CW	03.21.22
CHECKED BY:	DATE:
BT	03.21.22

JOB NO.:  
3.28



ARCHITECT/G.C. NOTE: NO JAMB DETAILS WERE GIVEN ON CONTRACT DOCUMENTS. PLEASE REVIEW THE DETAIL AND ADVISE IF THIS IS AN ACCURATE INTERPRETATION OF THE JAMB CONDITION.

44  
3.29  
REF: N/A  
W8 - W9

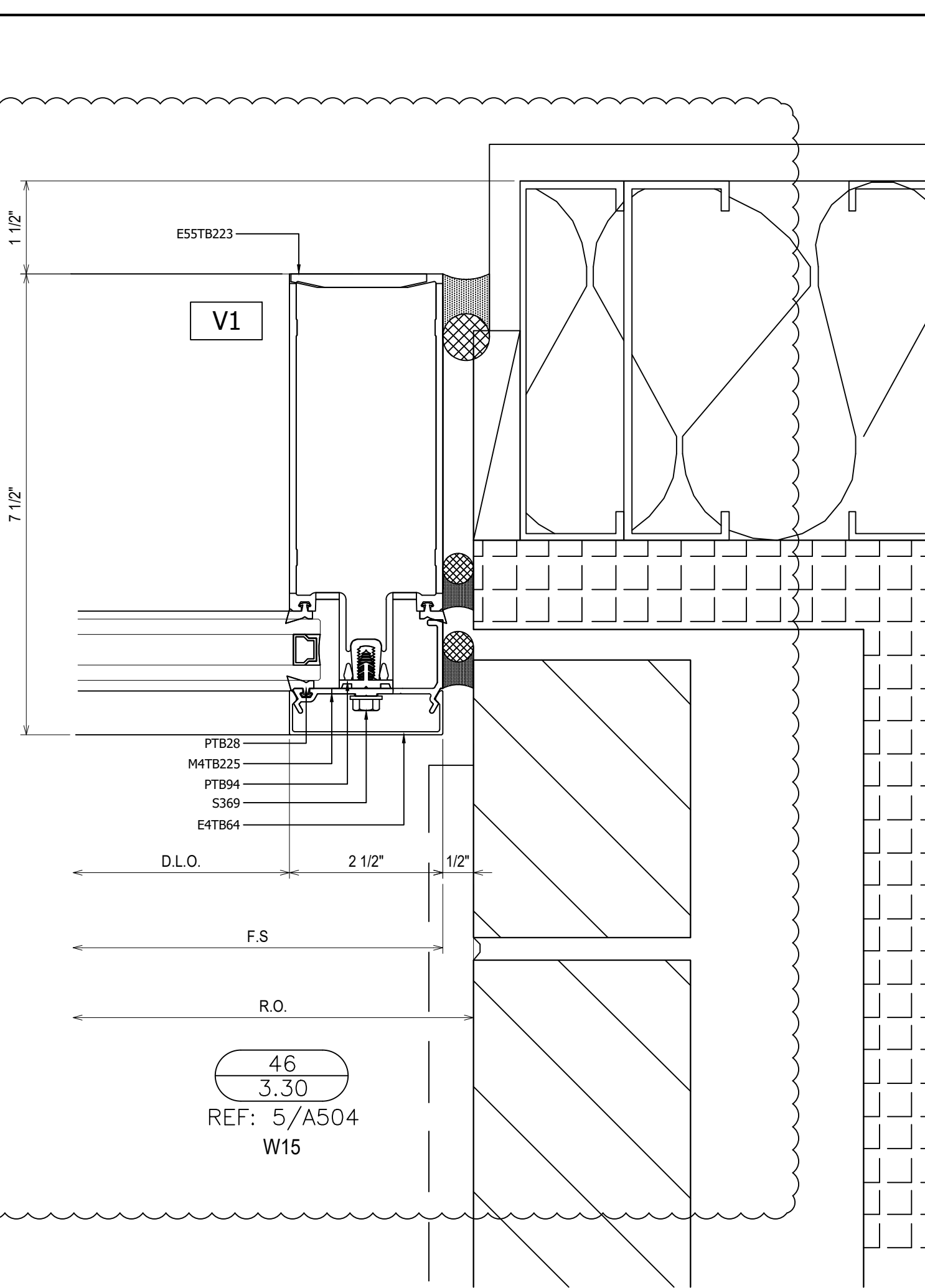
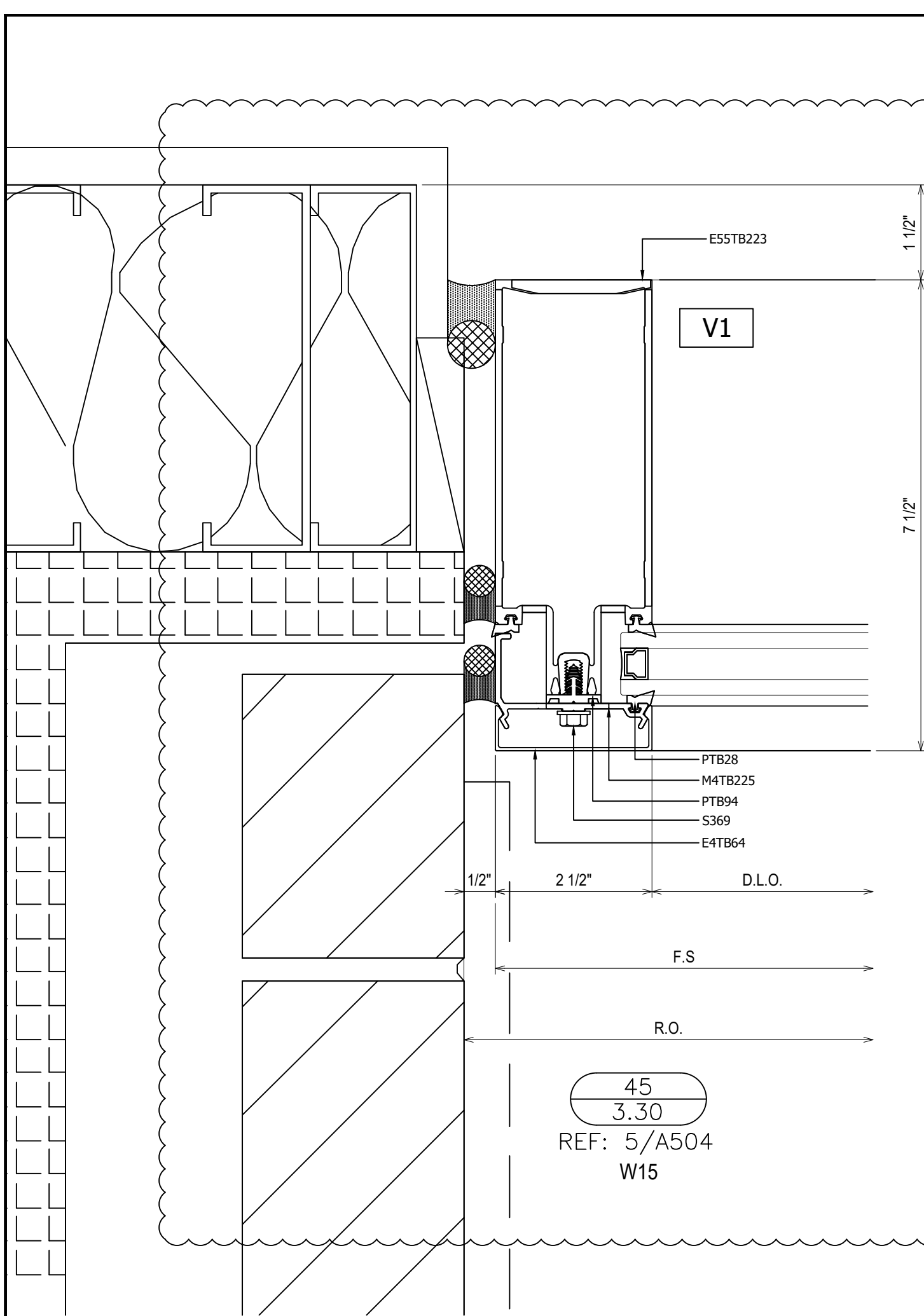
NO	DESCRIPTION	DATE
1ST REVISION		05.13.22
1ST SUBMISSION		03.21.22

CLAYTON COMMERCIAL GLAZING  
3210 US HIGHWAY 70W  
SMITHFIELD, NC 27577  
P: 919.550.4024

PROJECT:	NORTH STATE BANK
LOCATION:	2413 BLUE RIDGE RD. RALEIGH, NC 27607

DRAWN BY:	CW	DATE:	03.21.22
CHECKED BY:	BT	DATE:	03.21.22

JOB NO.:  
3.29



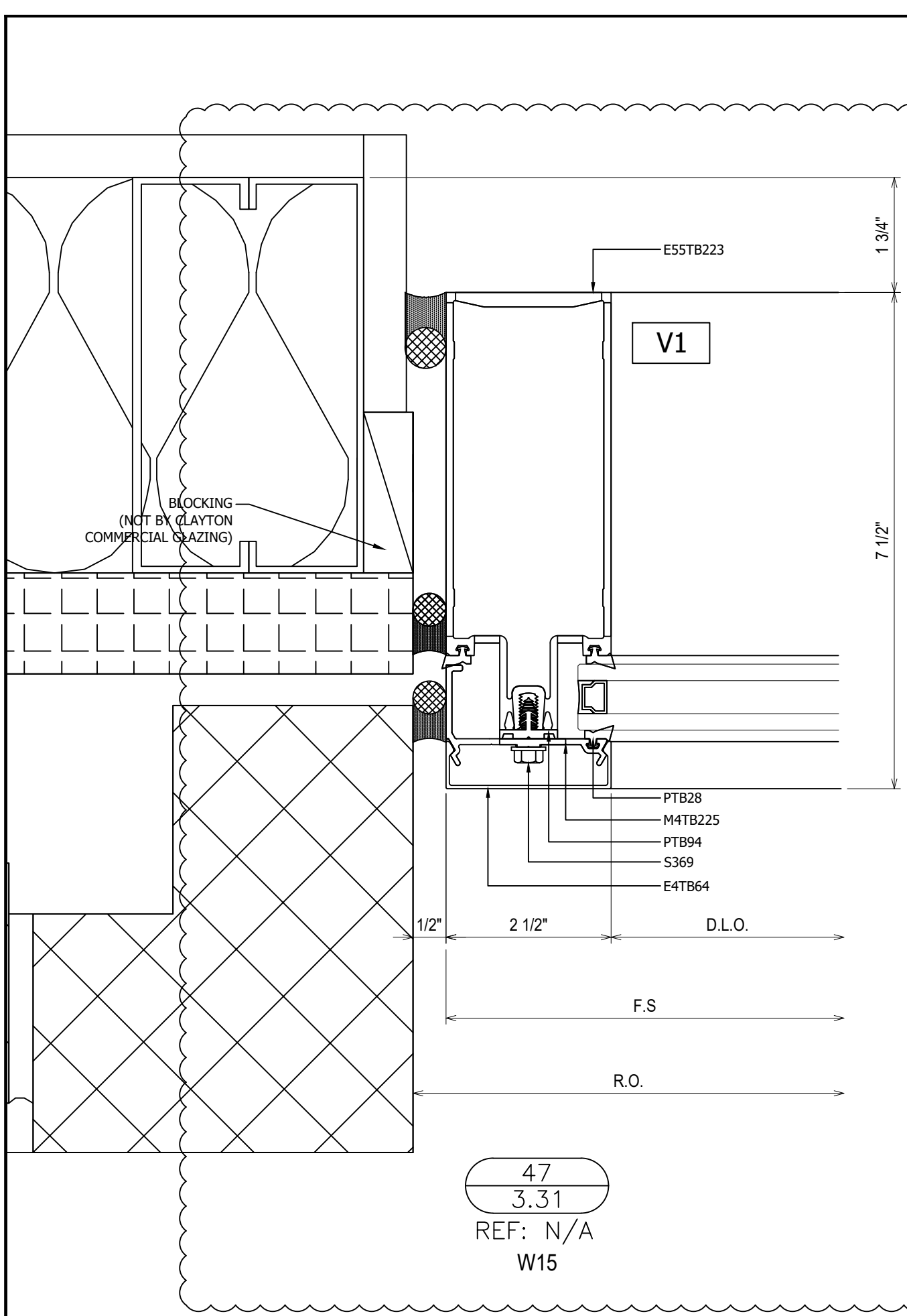
NO	DESCRIPTION	DATE
1	1ST REVISION	05.13.22
2	1ST SUBMISSION	03.21.22

CLAYTON COMMERCIAL GLAZING  
 3210 US HIGHWAY 70W  
 SMITHFIELD, NC 27577  
 P: 919.550.4024

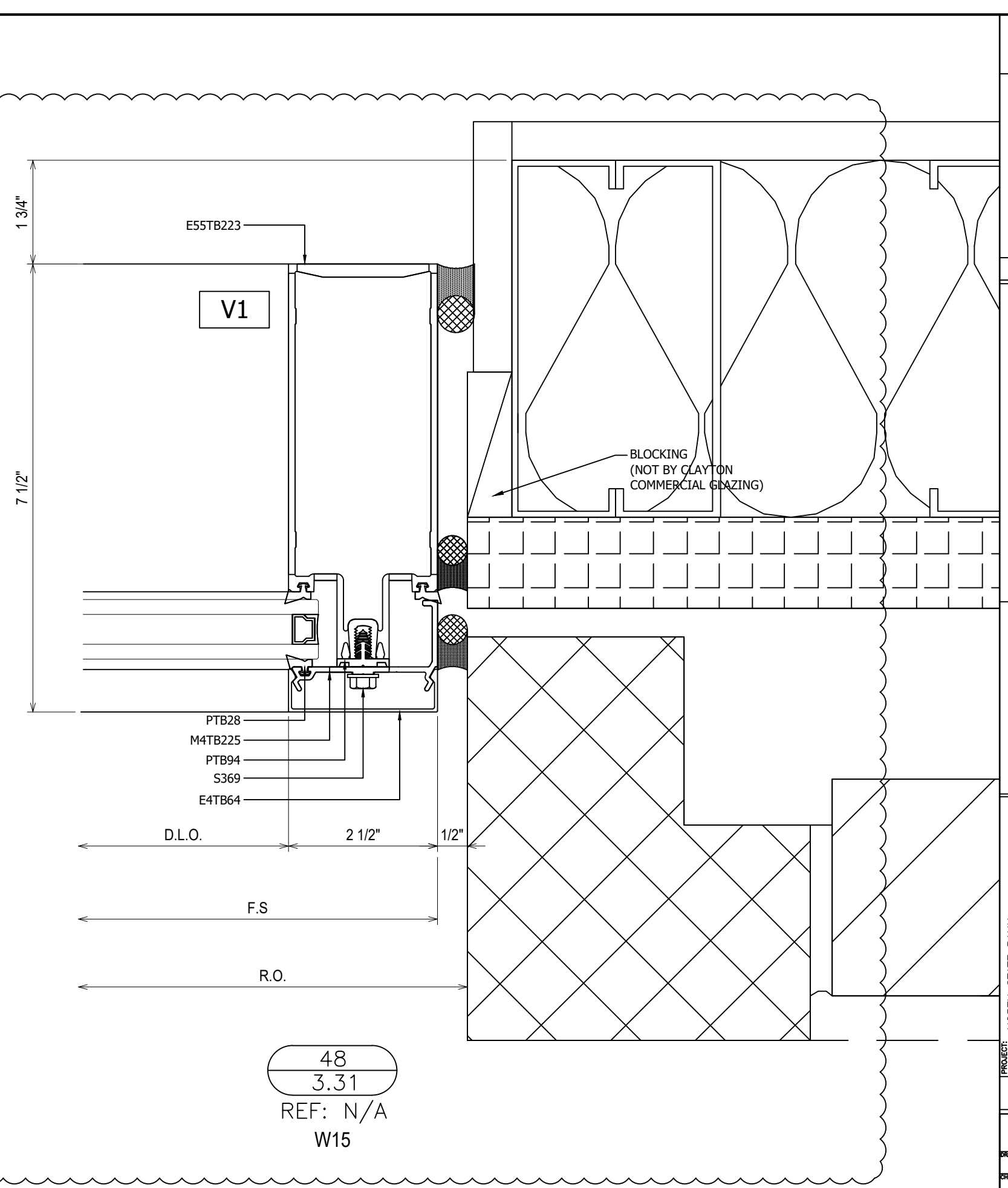
PROJECT: NORTH STATE BANK  
 LOCATION: 2413 BLUE RIDGE RD.  
 RALEIGH, NC 27607

DRAWN BY:	DATE:
CW	03.21.22
CHECKED BY:	DATE:
BT	03.21.22
JOB NO.:	

3.30



47  
3.31  
REF: N/A  
W15



48  
3.31  
REF: N/A  
W15

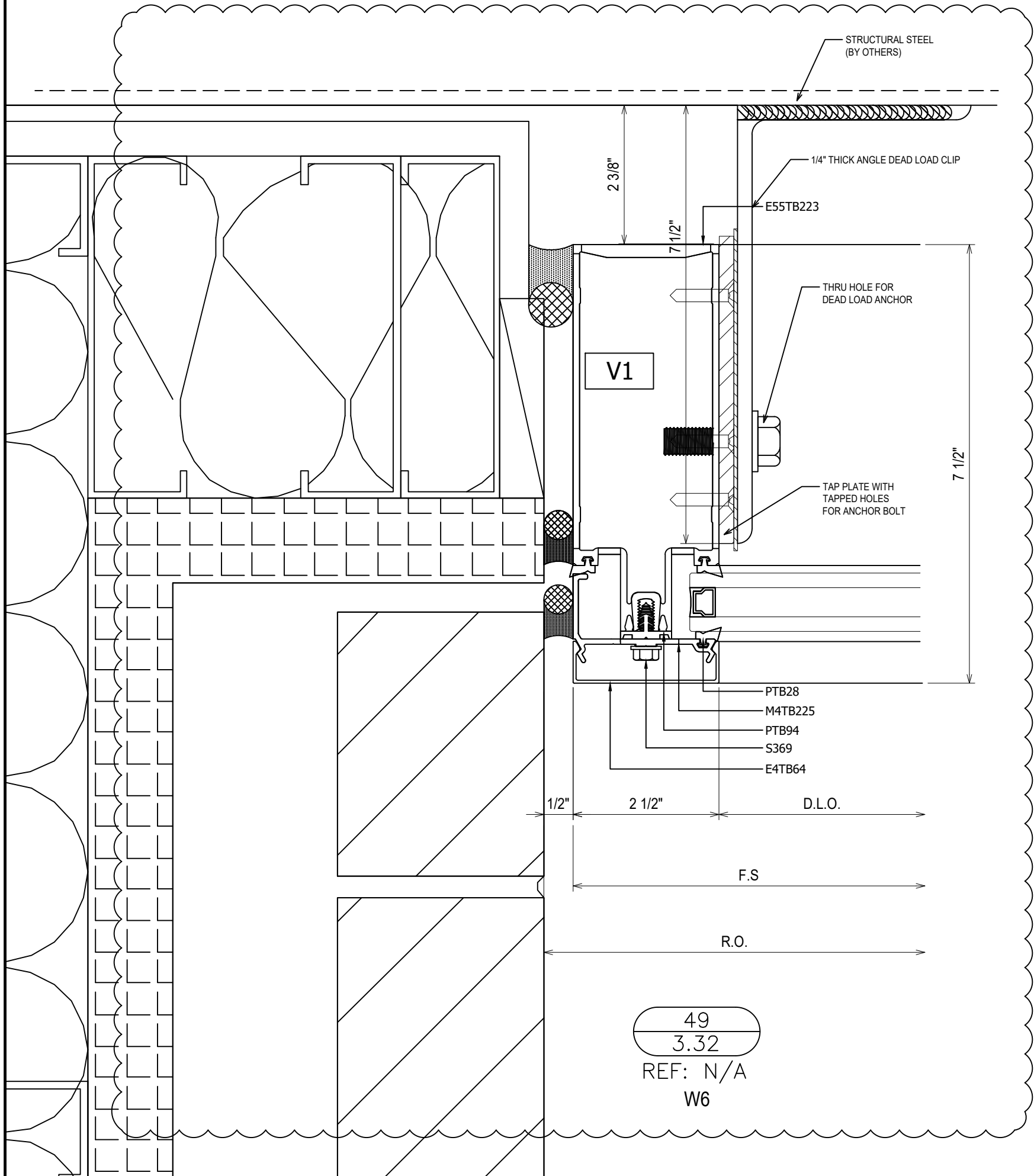
NO	DESCRIPTION	DATE
1ST REVISION		05.13.22
1ST SUBMISSION		03.21.22

CLAYTON COMMERCIAL GLAZING  
3210 US HIGHWAY 70W  
SMITHFIELD, NC 27577  
P: 919.550.4024

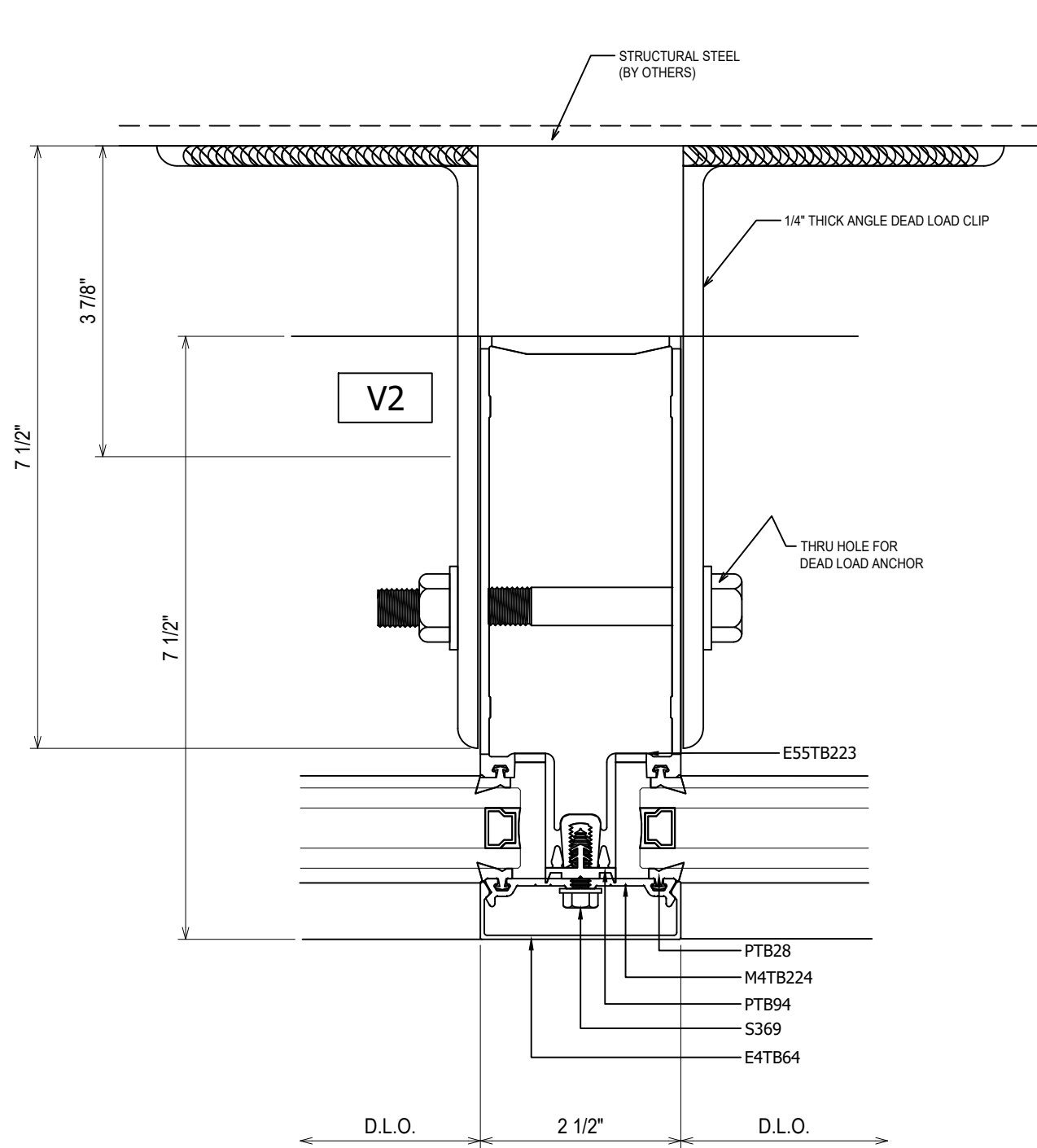
PROJECT: NORTH STATE BANK  
LOCATION: 2413 BLUE RIDGE RD.  
RALEIGH, NC 27607

DRAWN BY:	DATE:
CW	03.21.22
CHECKED BY:	DATE:
BT	03.21.22
JOB NO.:	

3.31



49  
3.32  
REF: N/A  
W6



50  
3.32  
REF: N/A  
W6 - W8 - W10 - W11

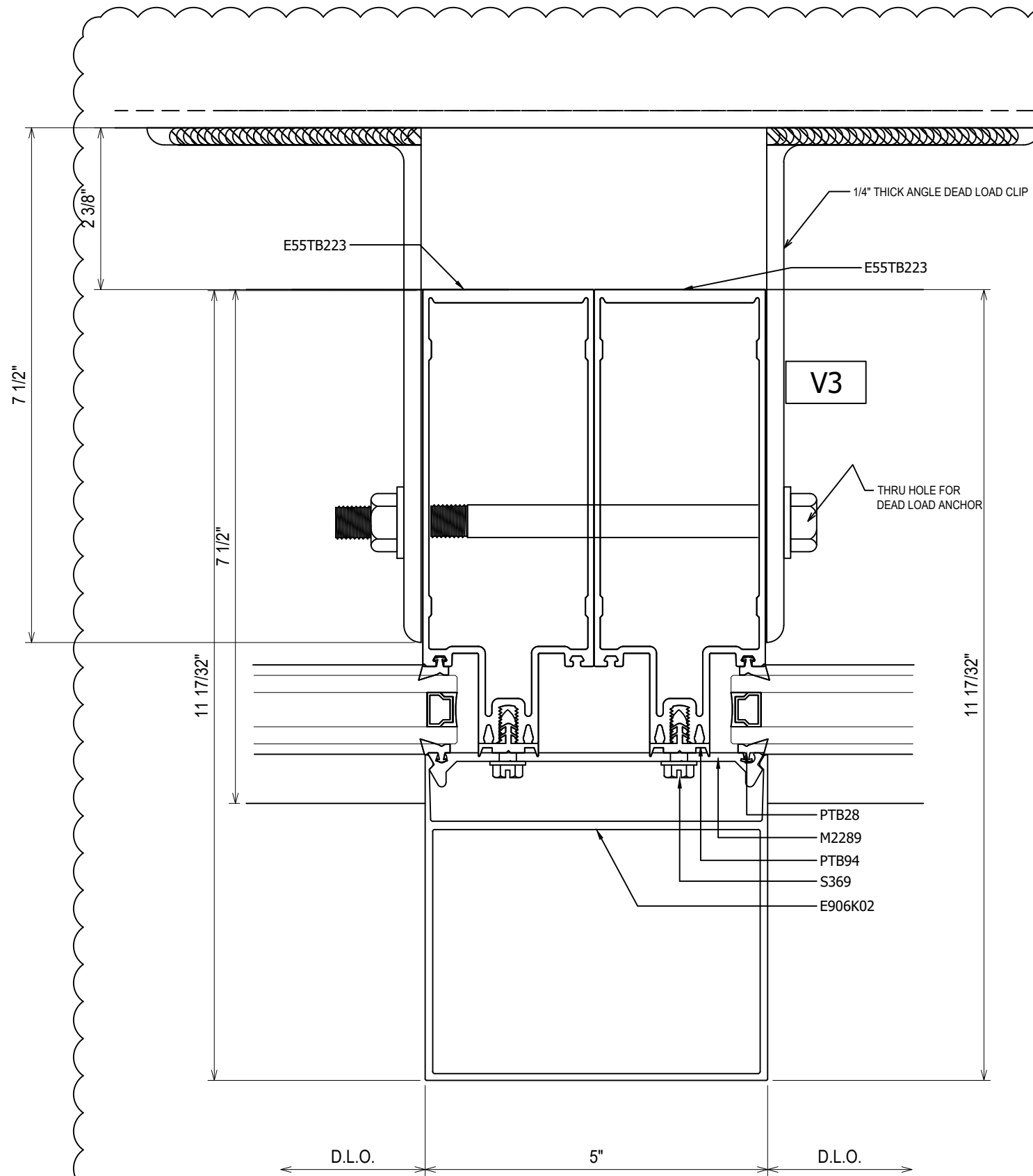
NO	DESCRIPTION	DATE
1ST SUBMISSION		03.21.22
1ST REVISION		05.13.22

CLAYTON COMMERCIAL GLAZING  
3210 US HIGHWAY 70W  
SMITHFIELD, NC 27577  
P: 919.550.4024

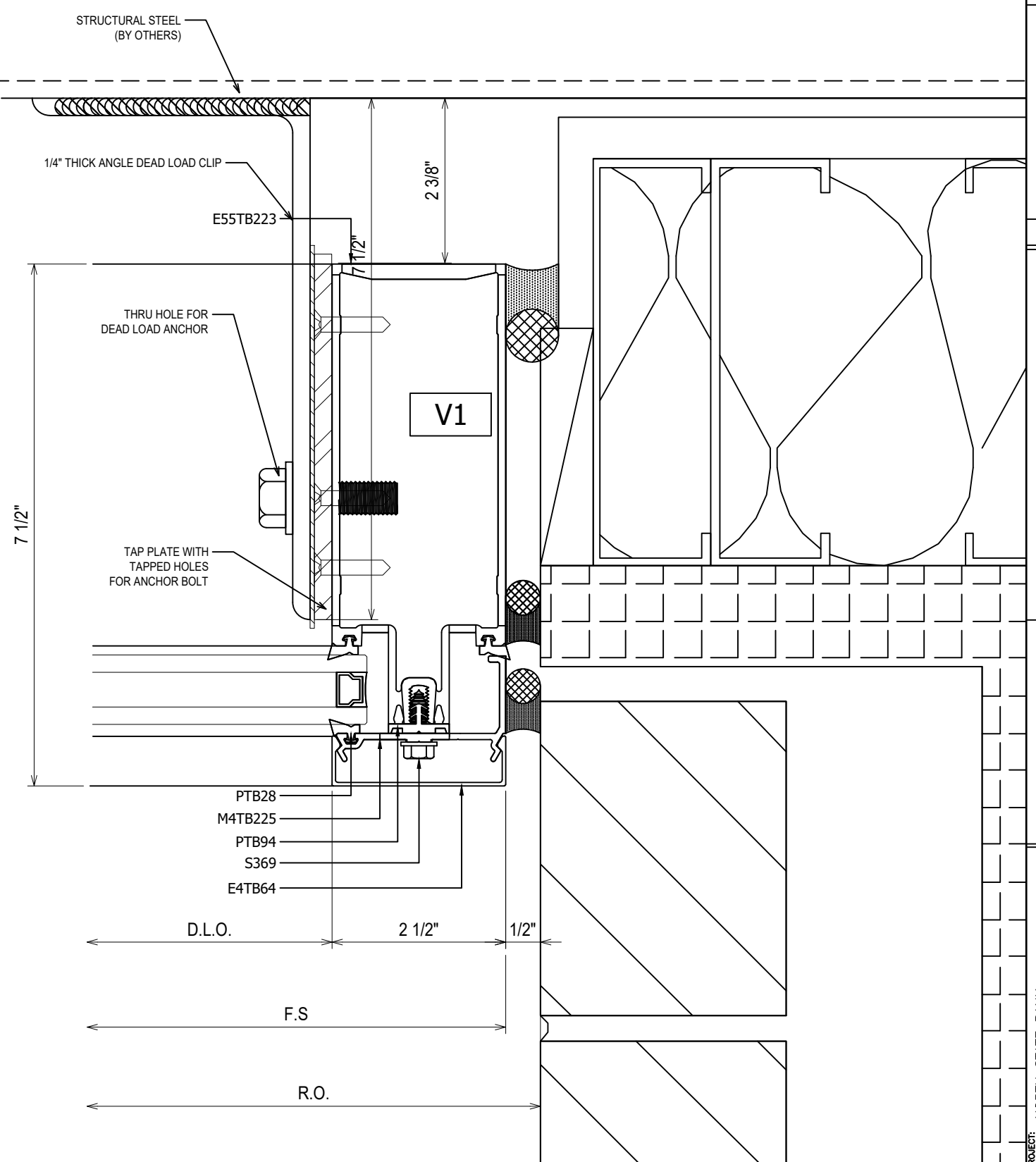
PROJECT: NORTH STATE BANK  
LOCATION: 2413 BLUE RIDGE RD.  
RALEIGH, NC 27607

DRAWN BY:	DATE:
CW	03.21.22
CHECKED BY:	DATE:
BT	03.21.22

JOB NO.:  
3.32



51  
3.33  
REF: N/A  
W6 - W10 - W11



52  
3.33  
REF: N/A  
W11

NO	DESCRIPTION	DATE
1ST REVISION		05.13.22
1ST SUBMISSION		03.21.22

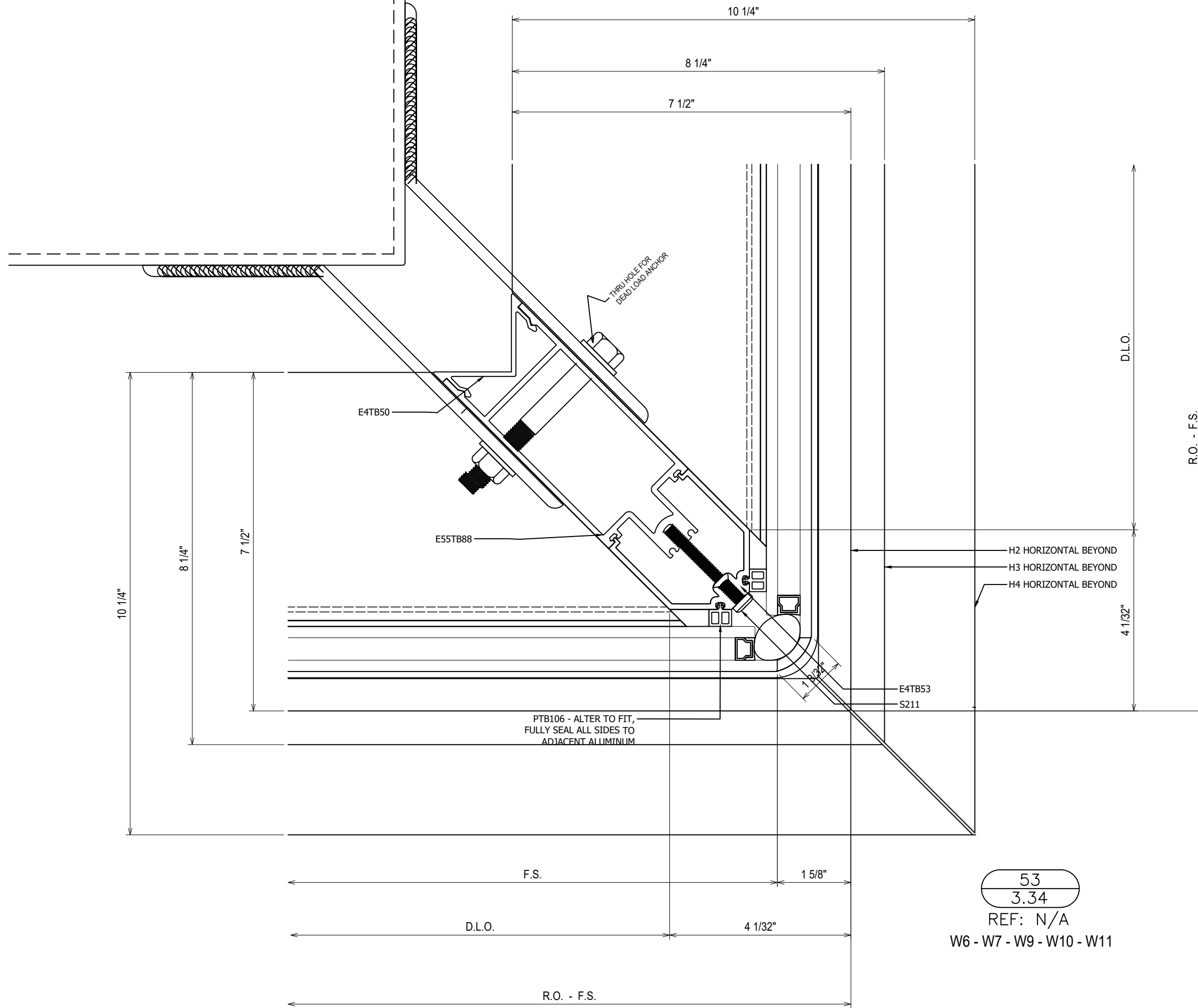
CLAYTON COMMERCIAL GLAZING  
3210 US HIGHWAY 70W  
SMITHFIELD, NC 27577  
P: 919.550.4024

PROJECT:	NORTH STATE BANK
LOCATION:	2413 BLUE RIDGE RD. RALEIGH, NC 27607

DRAWN BY:	DATE:
CW	03.21.22
CHECKED BY:	DATE:
BT	03.21.22

JOB NO.:  
3.33





53  
3.34

REF: N/A  
W6 - W7 - W9 - W10 - W11

NO	DESCRIPTION	DATE
1	1ST REVISION	05.13.22
2	1ST SUBMISSION	03.21.22

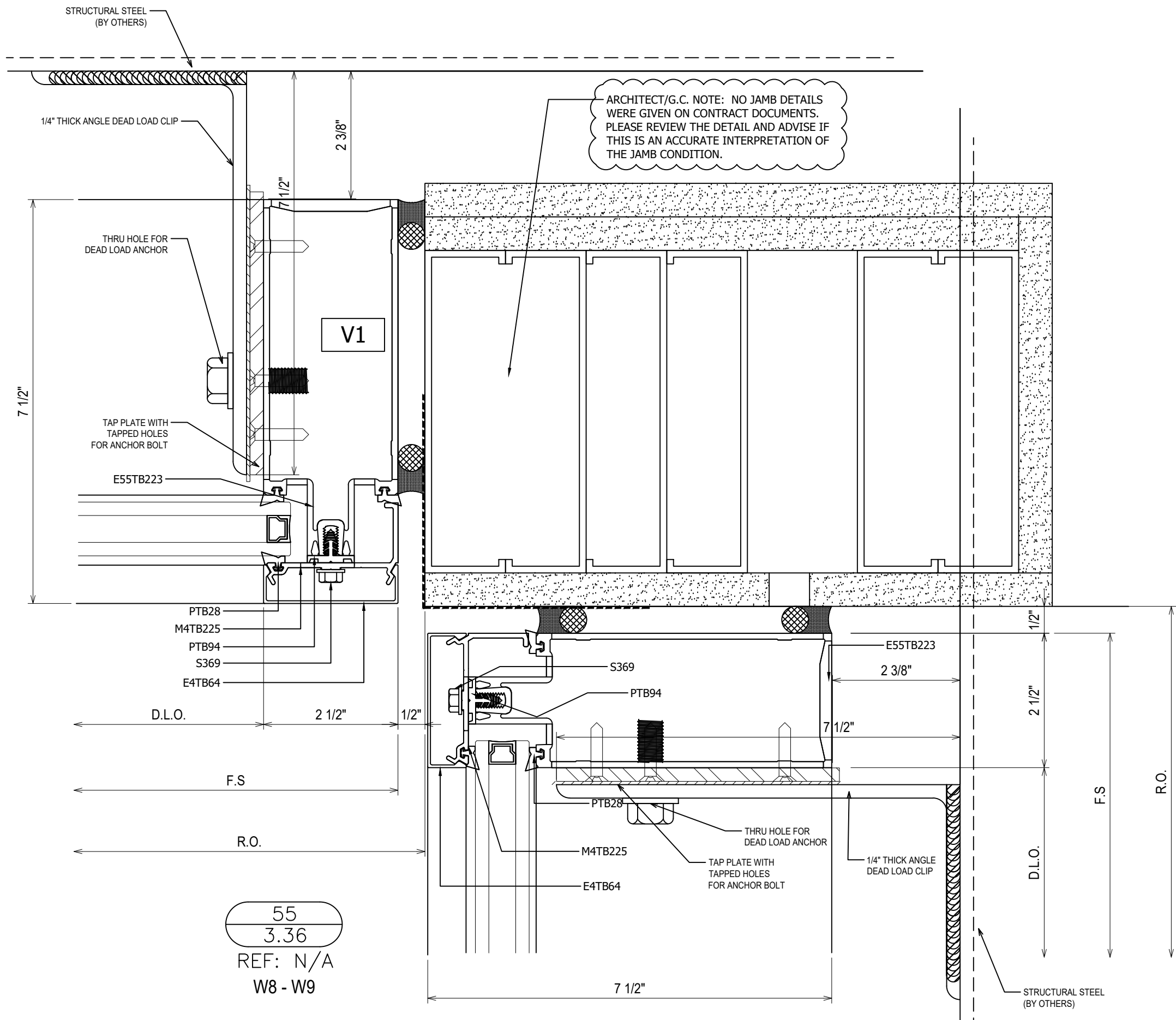
CLAYTON COMMERCIAL GLAZING  
3210 US HIGHWAY 70W  
SMITHFIELD, NC 27577  
P: 919.550.4024

PROJECT: NORTH STATE BANK  
LOCATION: 2413 BLUE RIDGE RD.  
RALEIGH, NC 27607

DRAWN BY:	DATE:
CW	03.21.22
CHECKED BY:	DATE:
BT	03.21.22
JOB NO.:	

3.34





ARCHITECT/G.C. NOTE: NO JAMB DETAILS WERE GIVEN ON CONTRACT DOCUMENTS. PLEASE REVIEW THE DETAIL AND ADVISE IF THIS IS AN ACCURATE INTERPRETATION OF THE JAMB CONDITION.

55  
3.36  
REF: N/A  
W8 - W9

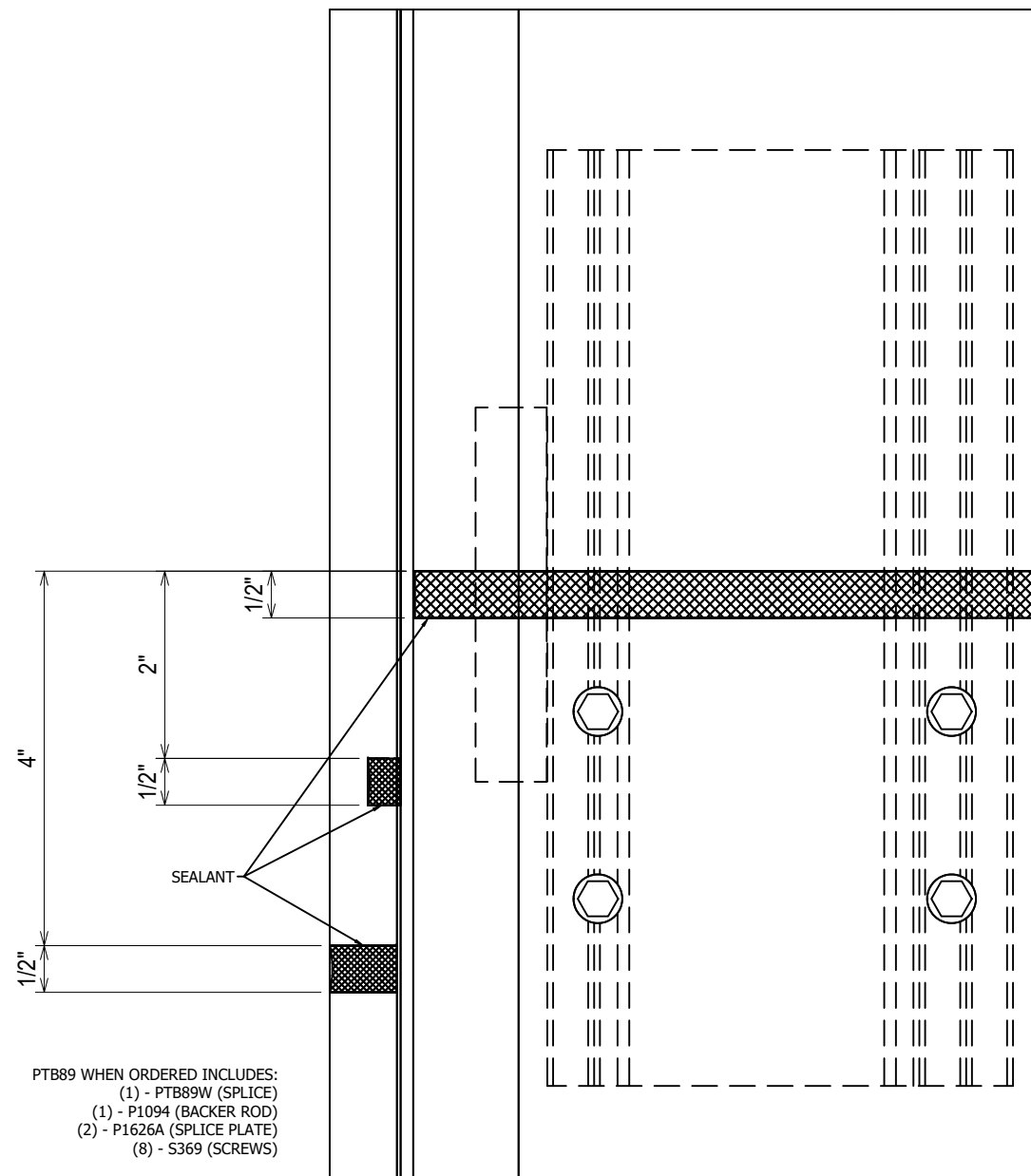
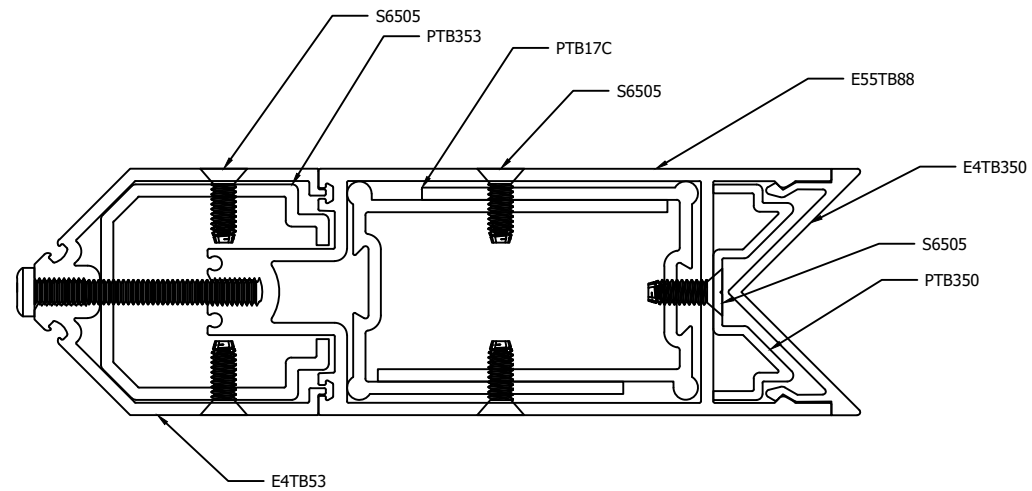
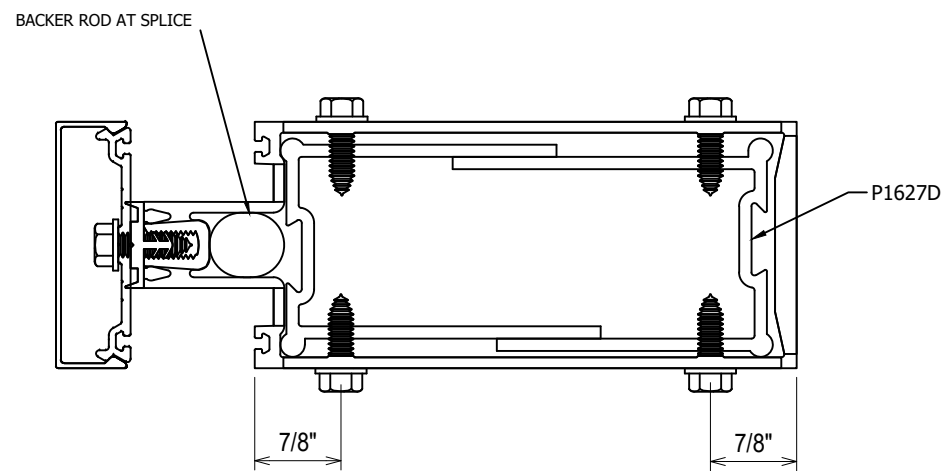
NO	DESCRIPTION	DATE
1	1ST SUBMISSION	03.21.22
2	1ST REVISION	05.13.22

CLAYTON COMMERCIAL GLAZING  
3210 US HIGHWAY 70W  
SMITHFIELD, NC 27577  
P: 919.550.4024

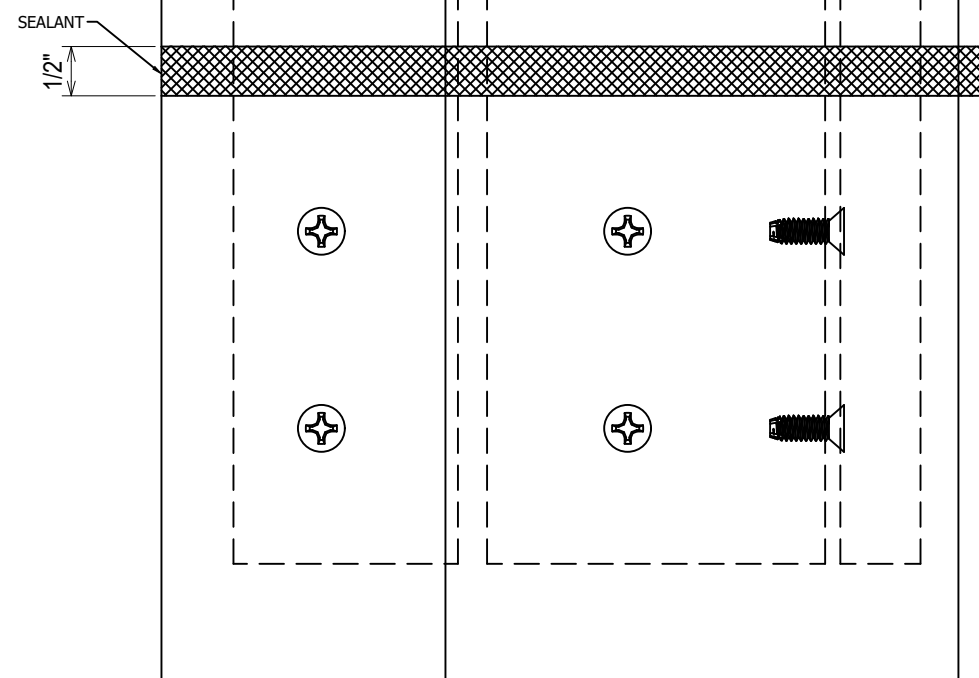
PROJECT:	NORTH STATE BANK
LOCATION:	2413 BLUE RIDGE RD. RALEIGH, NC 27607

DRAWN BY:	CW	DATE:	03.21.22
CHECKED BY:	BT	DATE:	03.21.22
JOB NO.:			

3.36



56  
3.37  
REF: N/A  
W6 - W7 - W8 - W9  
W10 - W11



PTB89 WHEN ORDERED INCLUDES:  
(1) - PTB89W (SPLICE)  
(1) - P1094 (BACKER ROD)  
(2) - P1626A (SPLICE PLATE)  
(8) - S369 (SCREWS)

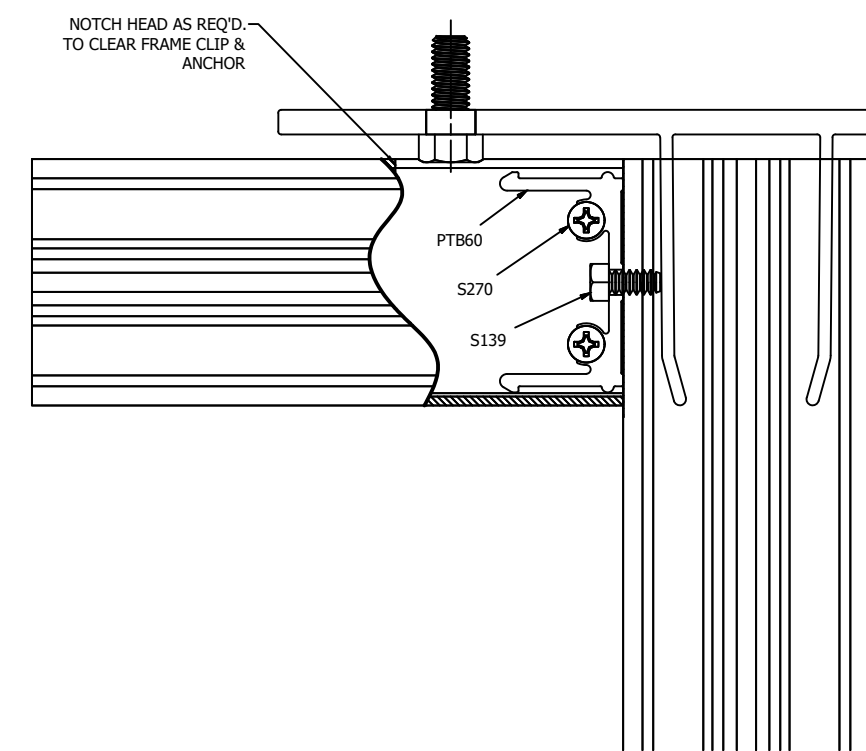
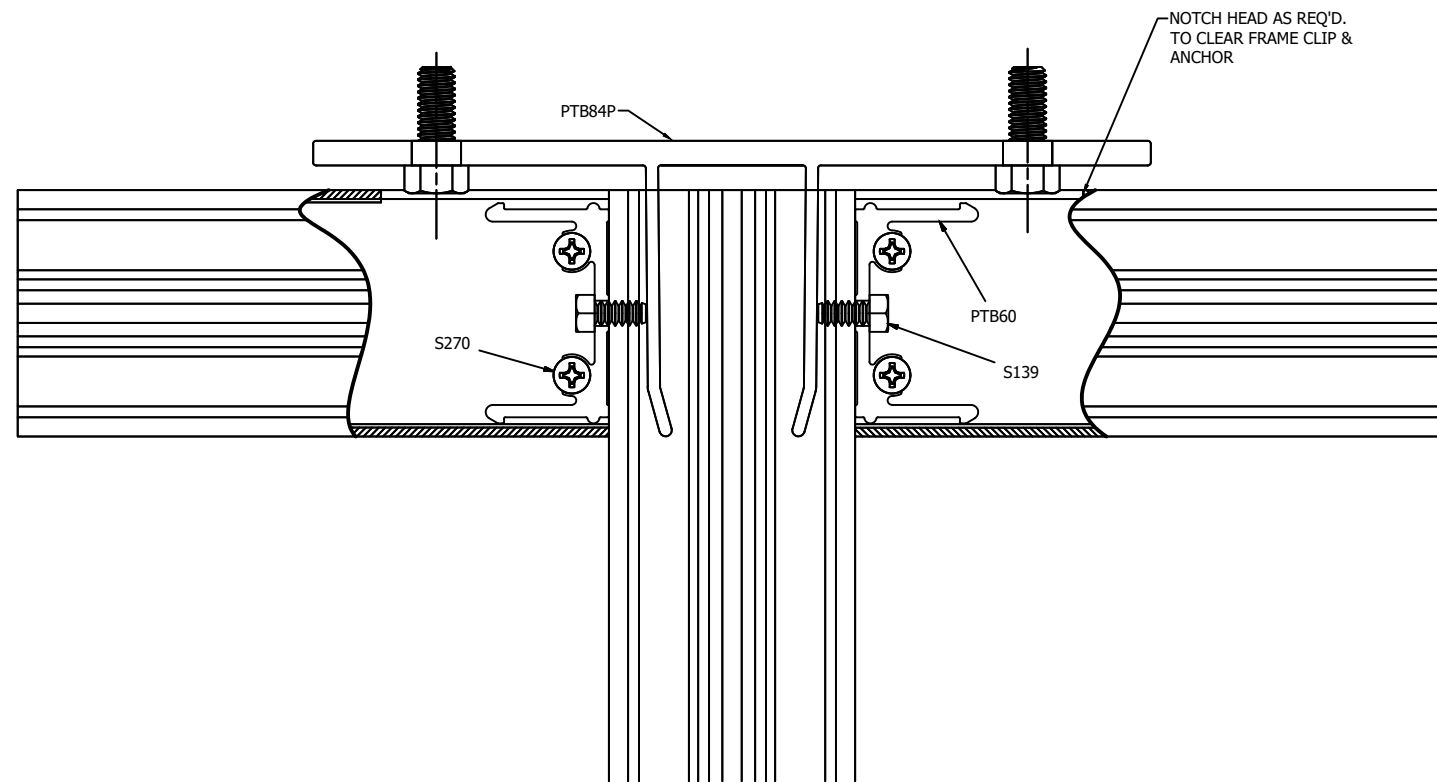
NO	DESCRIPTION	DATE
1	1ST SUBMISSION	03.21.22
2	1ST REVISION	05.13.22

CLAYTON COMMERCIAL GLAZING  
3210 US HIGHWAY 70W  
SMITHFIELD, NC 27577  
P: 919.550.4024

PROJECT: NORTH STATE BANK  
LOCATION: 2413 BLUE RIDGE RD.  
RALEIGH, NC 27607

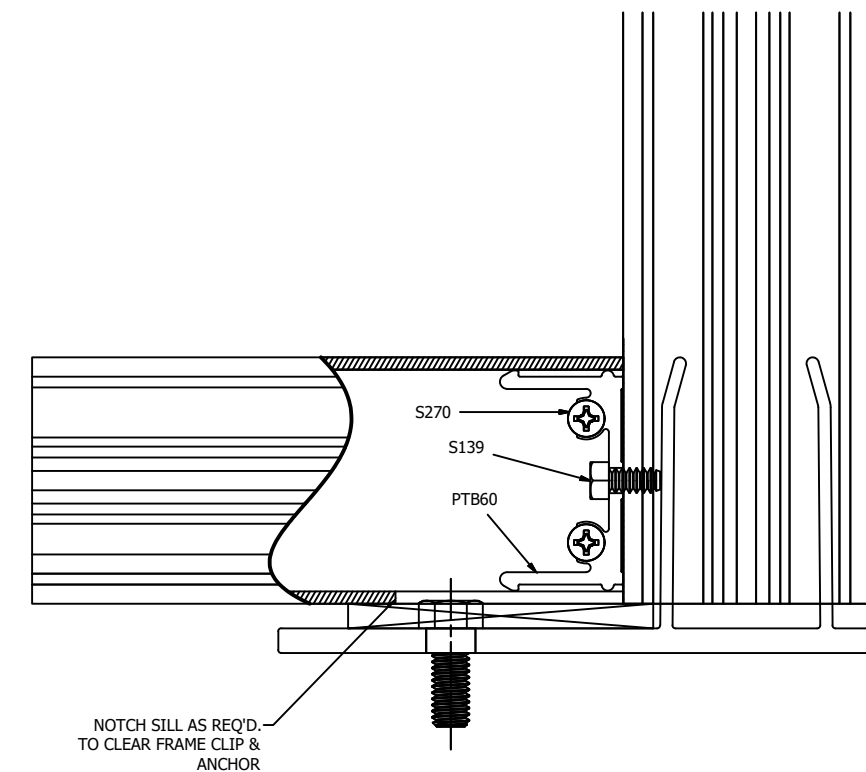
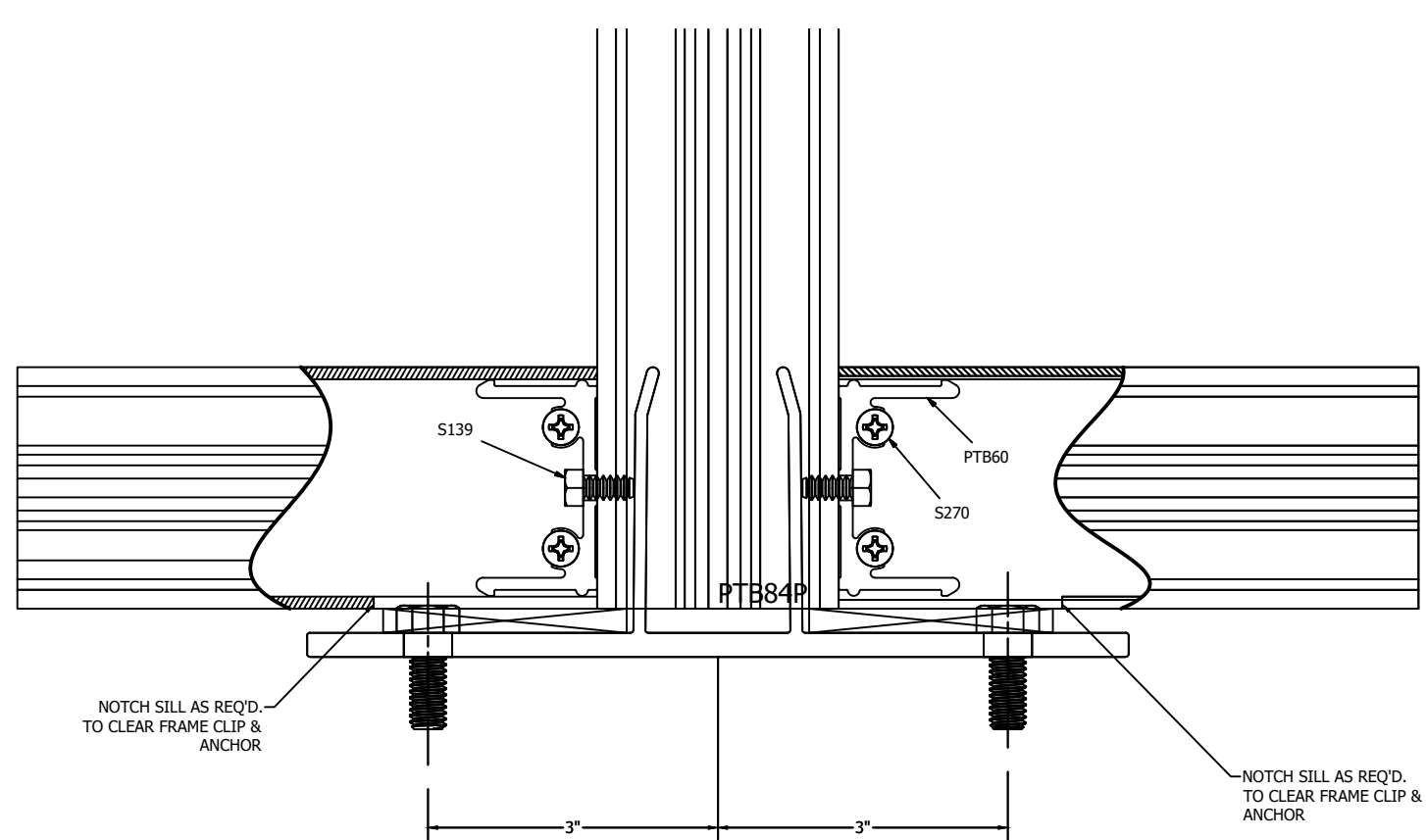
DRAWN BY:	DATE:
CW	03.21.22
CHECKED BY:	DATE:
BT	03.21.22

JOB NO.:  
3.37



57  
3.38

REF: N/A  
TYPICAL ALL CURTAINWALL



NO	DESCRIPTION	DATE
1ST	SUBMISSION	03.21.22
1ST	REVISION	05.13.22

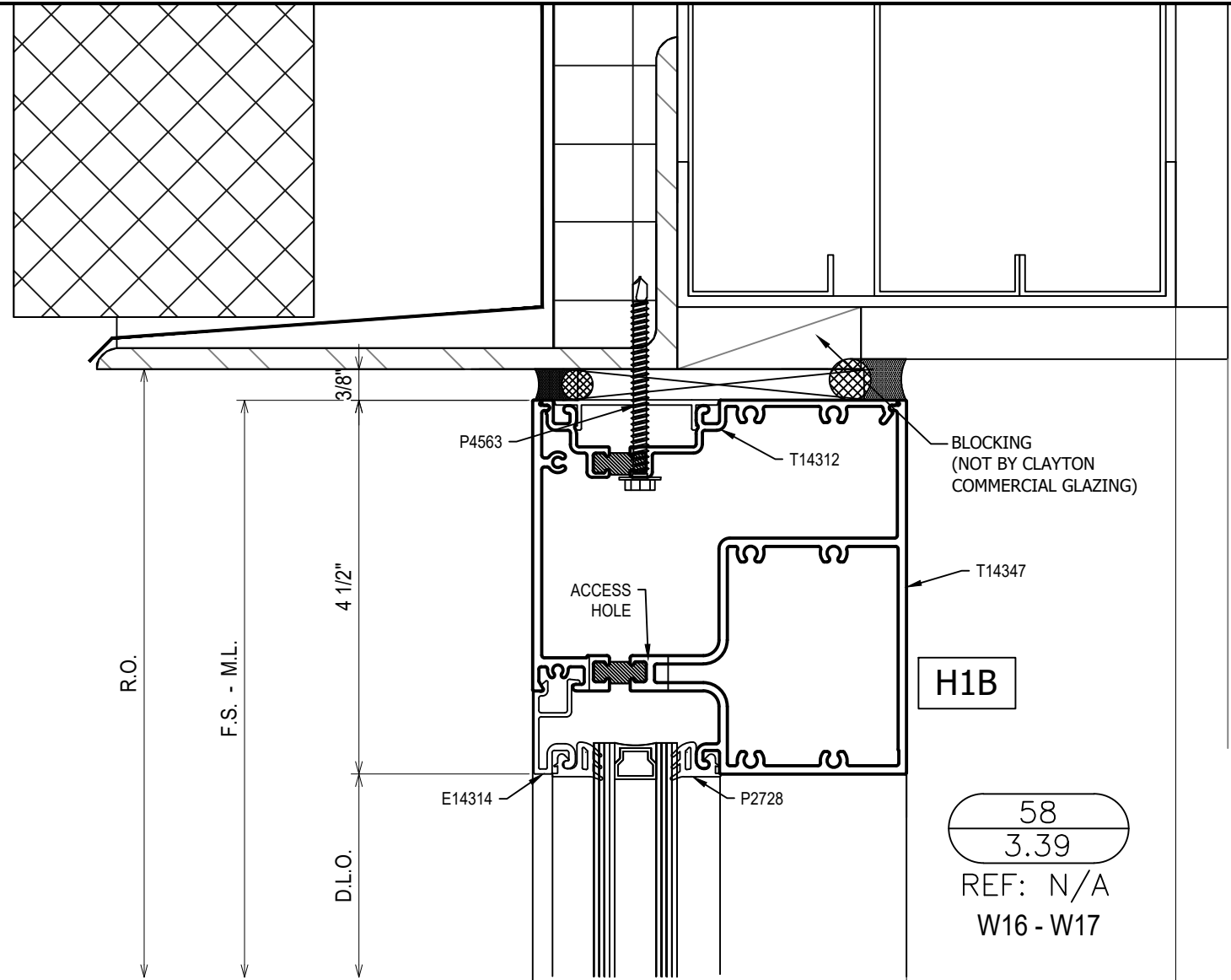
CLAYTON COMMERCIAL GLAZING  
3210 US HIGHWAY 70W  
SMITHFIELD, NC 27577  
P: 919.550.4024

PROJECT: NORTH STATE BANK  
LOCATION: 2413 BLUE RIDGE RD.  
RALEIGH, NC 27607

DRAWING SUBMISSION

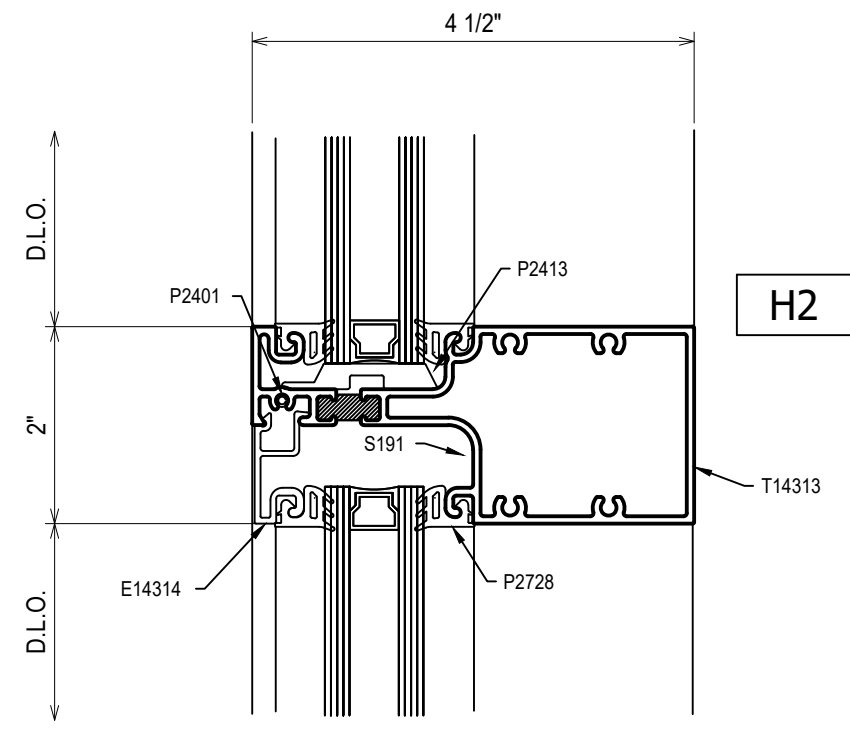
DRAWN BY:	DATE:
CW	03.21.22
CHECKED BY:	DATE:
BT	03.21.22
JOB NO.:	

3.38



58  
3.39  
REF: N/A  
W16 - W17

**\*\*ARCHITECT/GC DETAIL NOTES\*\*:**  
 CLAYTON COMMERCIAL GLAZING HAS ATTEMPTED TO INTERPRET THE CONTRACT DRAWINGS IN REFERENCE TO THE SURROUND CONDITIONS AT THE WINDOW WALL SYSTEMS. PLEASE REVIEW AND CLARIFY IF THESE CONDITIONS ARE ACCURATE. ANY INACCURACY IN THESE DETAILS WILL NOT HOLD CLAYTON COMMERCIAL GLAZING LIABLE. PLEASE COORDINATE WITH OTHER TRADES TO MAKE THE SURROUND CONDITIONS SO THAT THE WINDOW WALL SYSTEMS ARE ABLE TO BE INSTALLED AND WATERPROOFED PROPERLY.



59  
3.39  
REF: N/A  
W16 - W17

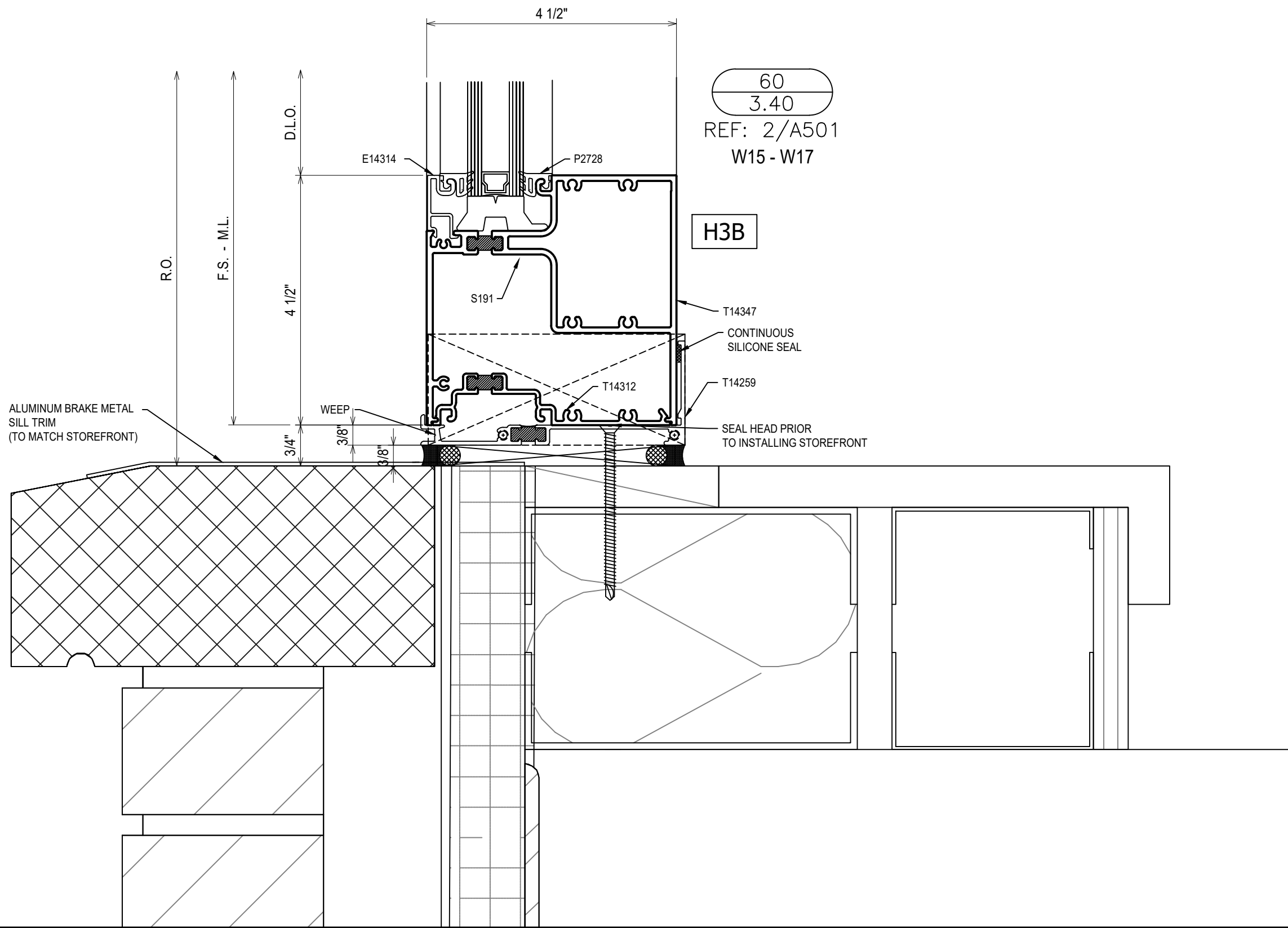
NO	DESCRIPTION	DATE
1ST REVISION		05.13.22
1ST SUBMISSION		03.21.22

CLAYTON COMMERCIAL GLAZING  
 3210 US HIGHWAY 70W  
 SMITHFIELD, NC 27577  
 P: 919.550.4024

PROJECT: NORTH STATE BANK  
 LOCATION: 2413 BLUE RIDGE RD.  
 RALEIGH, NC 27607

DRAWN BY:	DATE:
CW	03.21.22
CHECKED BY:	DATE:
BT	03.21.22

JOB NO.:  
 3.39



60  
3.40

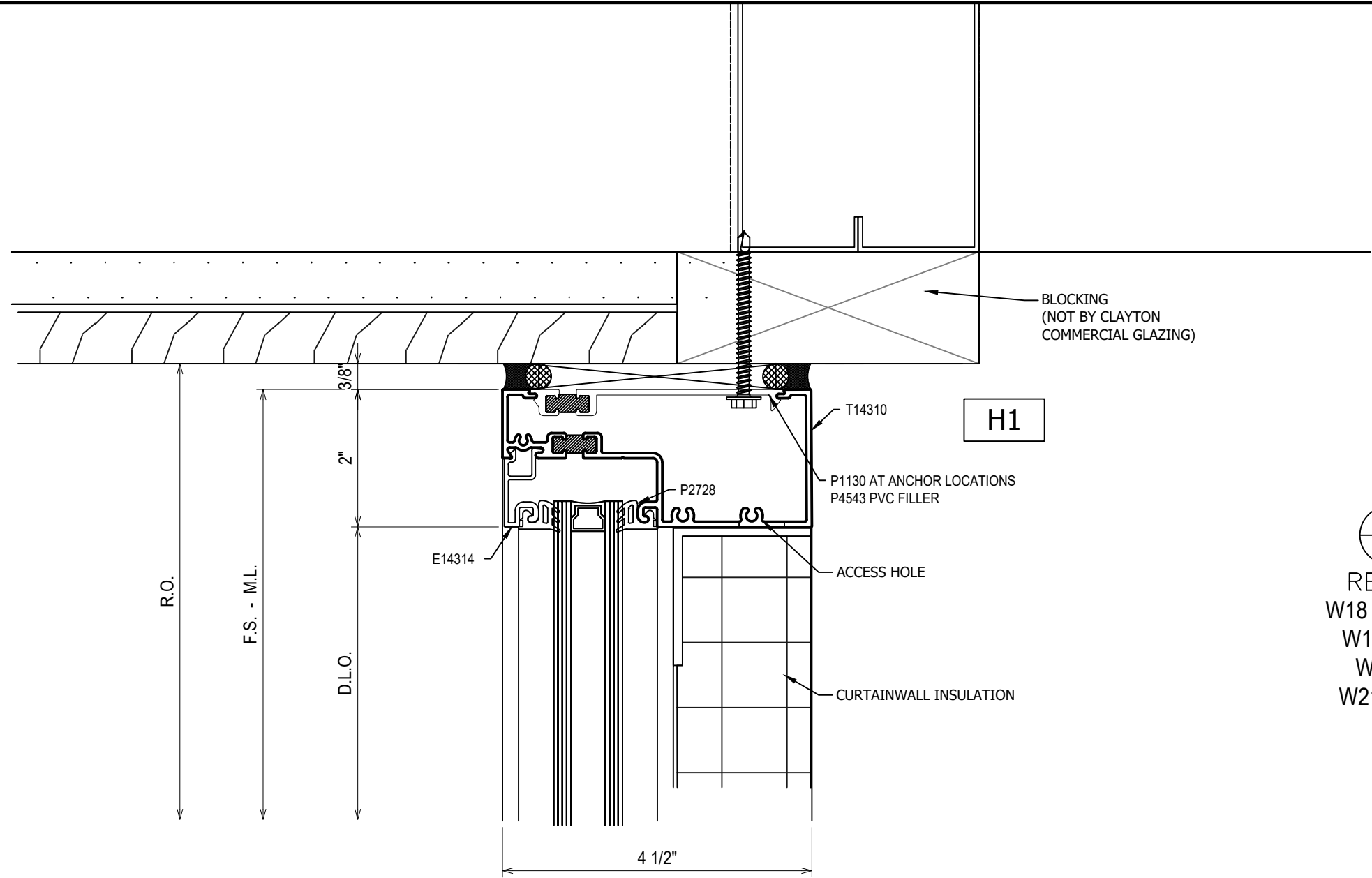
NO	DESCRIPTION	DATE
1ST REVISION		05.13.22
1ST SUBMISSION		03.21.22

CLAYTON COMMERCIAL GLAZING  
 3210 US HIGHWAY 70W  
 SMITHFIELD, NC 27577  
 P: 919.550.4024

PROJECT: NORTH STATE BANK  
 LOCATION: 2413 BLUE RIDGE RD.  
 RALEIGH, NC 27607

DRAWN BY:	DATE:
CW	03.21.22
CHECKED BY:	DATE:
BT	03.21.22

JOB NO.: 3.40



61  
3.41

REF: 6/A502  
 W18 - W19 - W19 OPP.  
 W19A - W19A OPP.  
 W20 - W20 OPP.  
 W21A - W21B - W22

NO	DESCRIPTION	DATE
1	1ST SUBMISSION	03.21.22
2	1ST REVISION	05.13.22

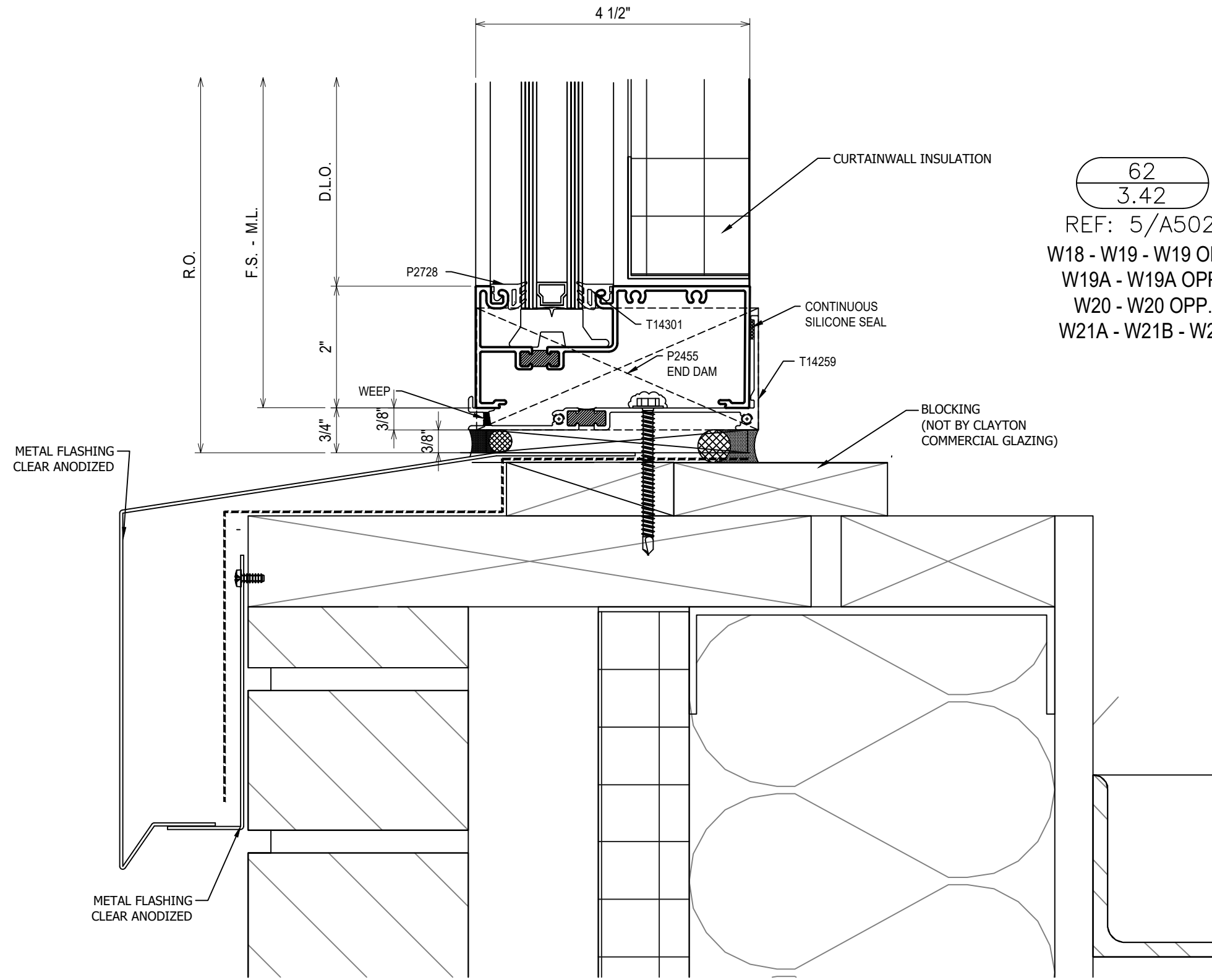
CLAYTON COMMERCIAL GLAZING  
 3210 US HIGHWAY 70W  
 SMITHFIELD, NC 27577  
 P: 919.550.4024

PROJECT: NORTH STATE BANK  
 LOCATION: 2413 BLUE RIDGE RD.  
 RALEIGH, NC 27607

DRAWN BY:	DATE:
CW	03.21.22
CHECKED BY:	DATE:
BT	03.21.22

JOB NO.:  
 3.41





62  
3.42

REF: 5/A502  
 W18 - W19 - W19 OPP.  
 W19A - W19A OPP.  
 W20 - W20 OPP.  
 W21A - W21B - W22

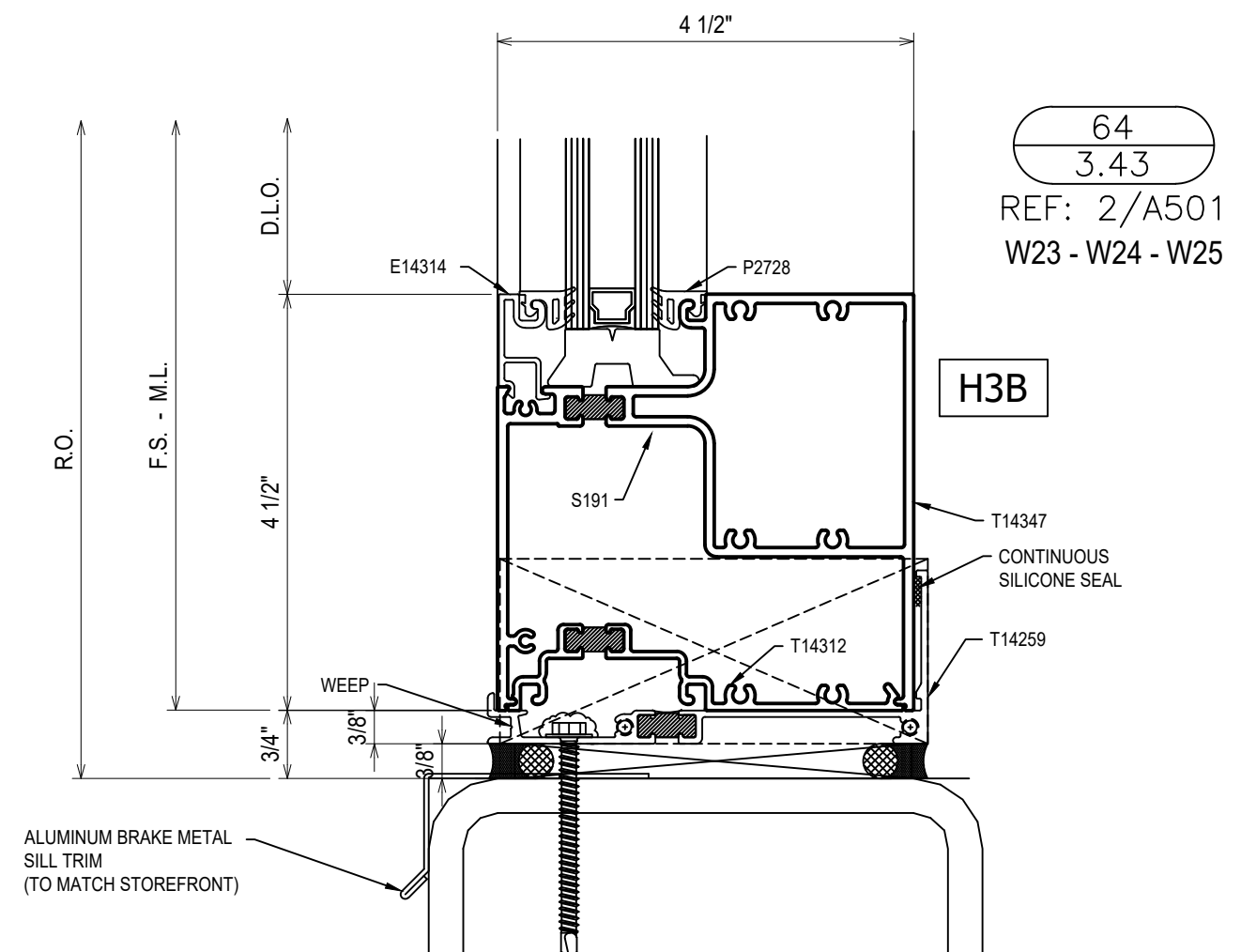
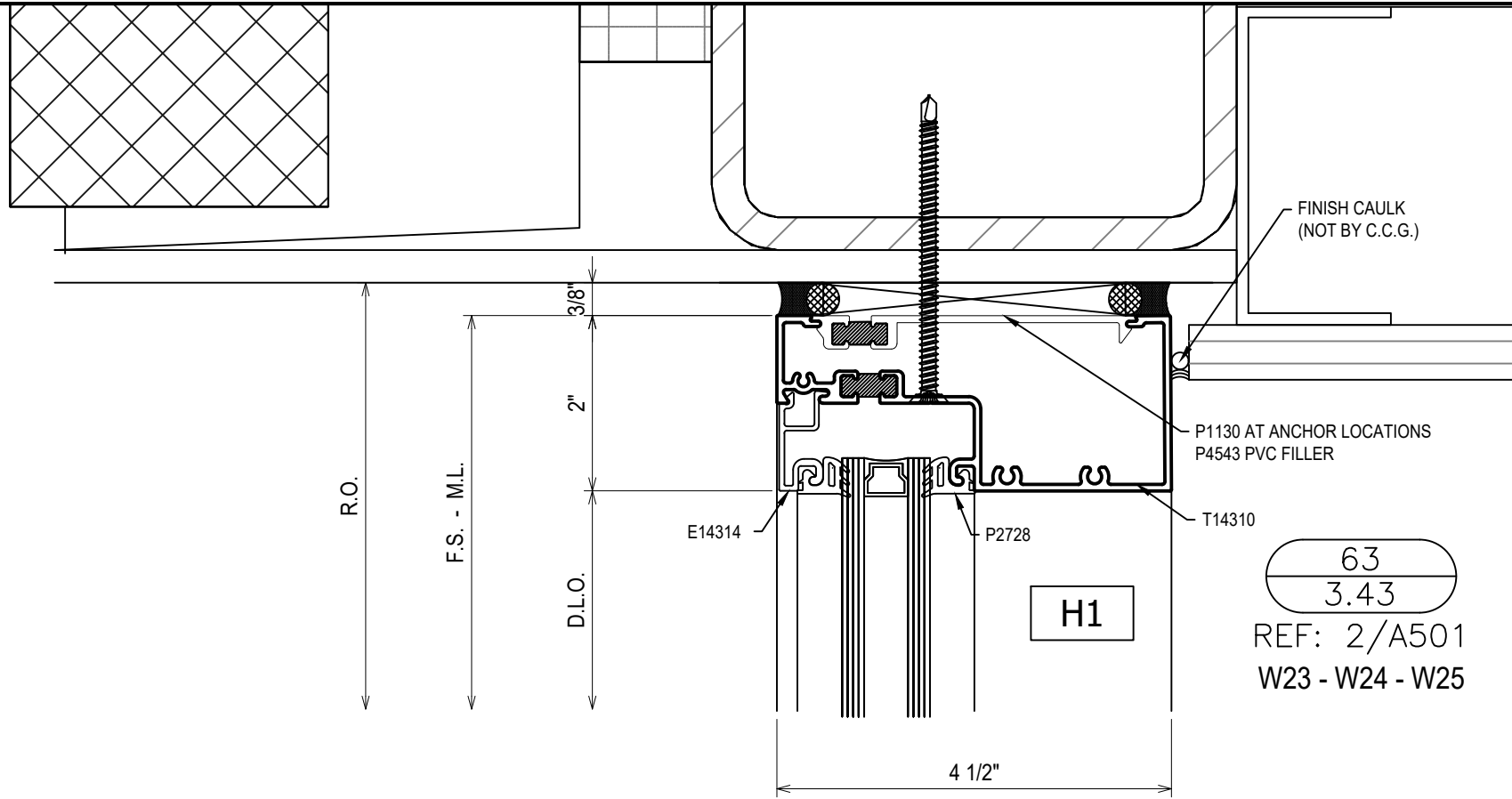
NO	DESCRIPTION	DATE
1	1ST SUBMISSION	03.21.22
2	1ST REVISION	05.13.22

**CLAYTON COMMERCIAL GLAZING**  
 3210 US HIGHWAY 70W  
 SMITHFIELD, NC 27577  
 P: 919.550.4024

PROJECT: NORTH STATE BANK  
 LOCATION: 2413 BLUE RIDGE RD.  
 RALEIGH, NC 27607

DRAWN BY:	DATE:
CW	03.21.22
CHECKED BY:	DATE:
BT	03.21.22
JOB NO.:	

3.42



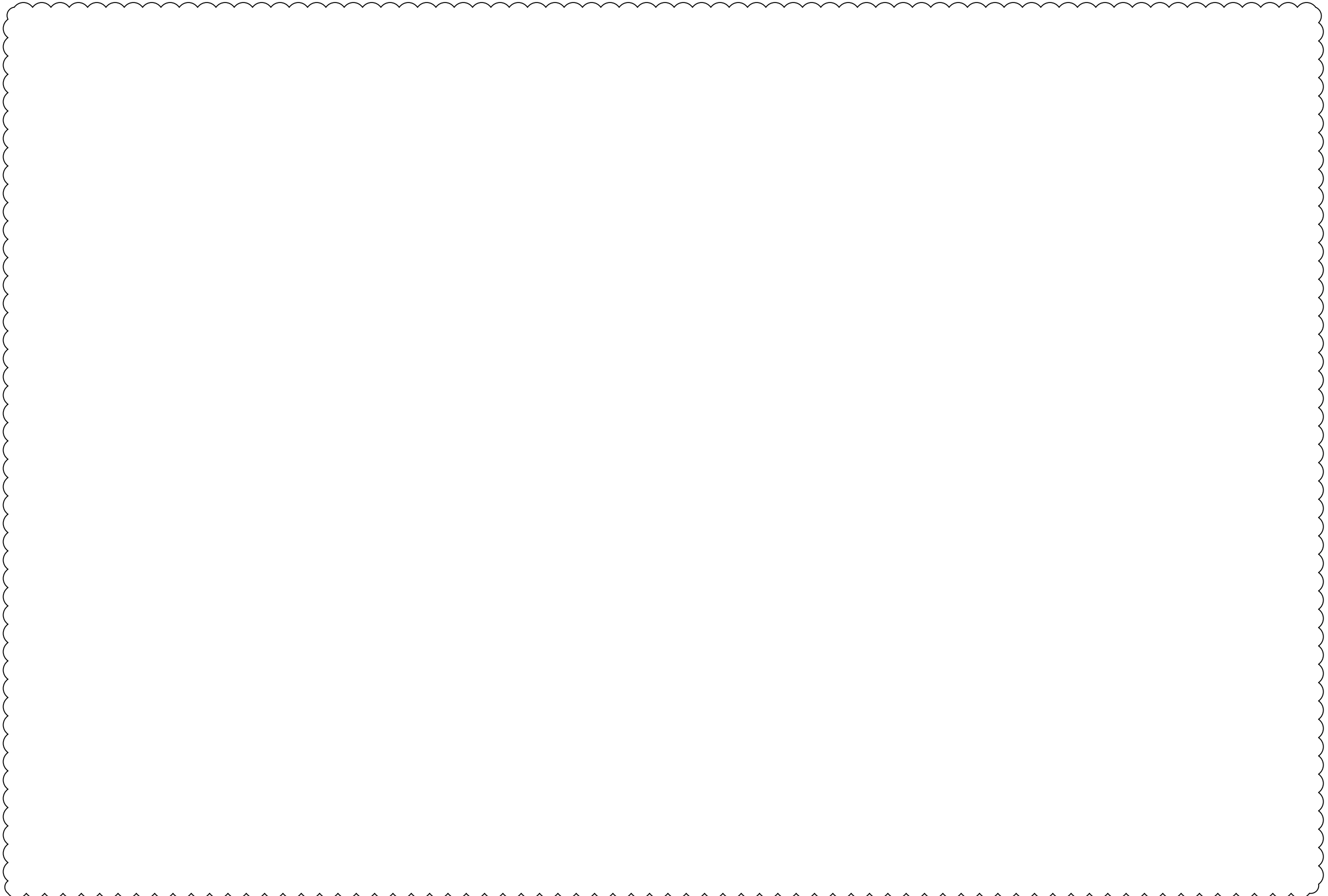
NO	DESCRIPTION	DATE
1ST REVISION		05.13.22
1ST SUBMISSION		03.21.22

CLAYTON COMMERCIAL GLAZING  
3210 US HIGHWAY 70W  
SMITHFIELD, NC 27577  
P: 919.550.4024

PROJECT: NORTH STATE BANK  
LOCATION: 2413 BLUE RIDGE RD.  
RALEIGH, NC 27607

DRAWN BY:	DATE:
CW	03.21.22
CHECKED BY:	DATE:
BT	03.21.22
JOB NO.:	

3.43



DRAWN BY:	DATE:
CW	03.21.22
CHECKED BY:	DATE:
BT	03.21.22

JOB NO.:

3.44

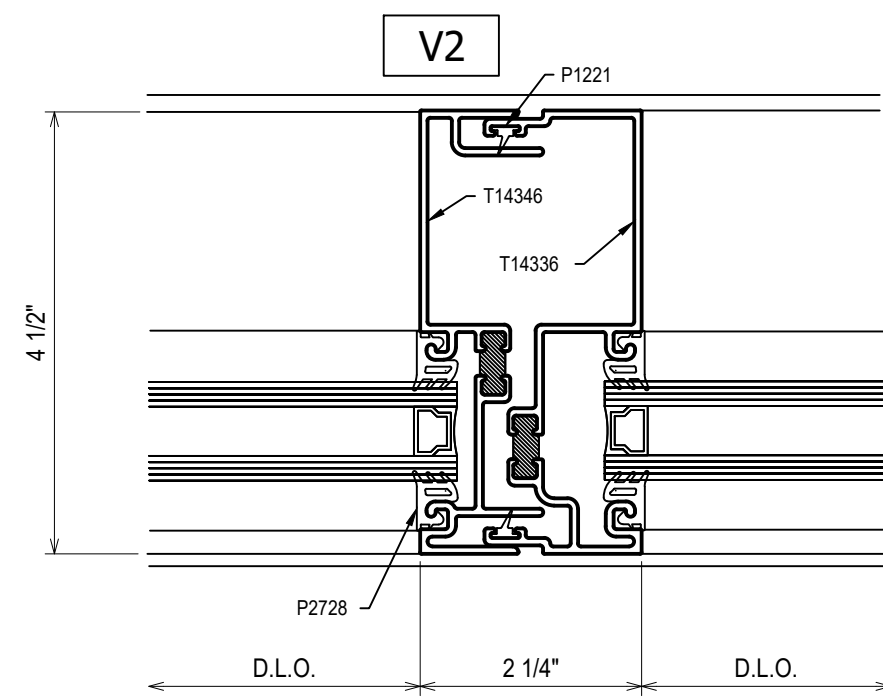
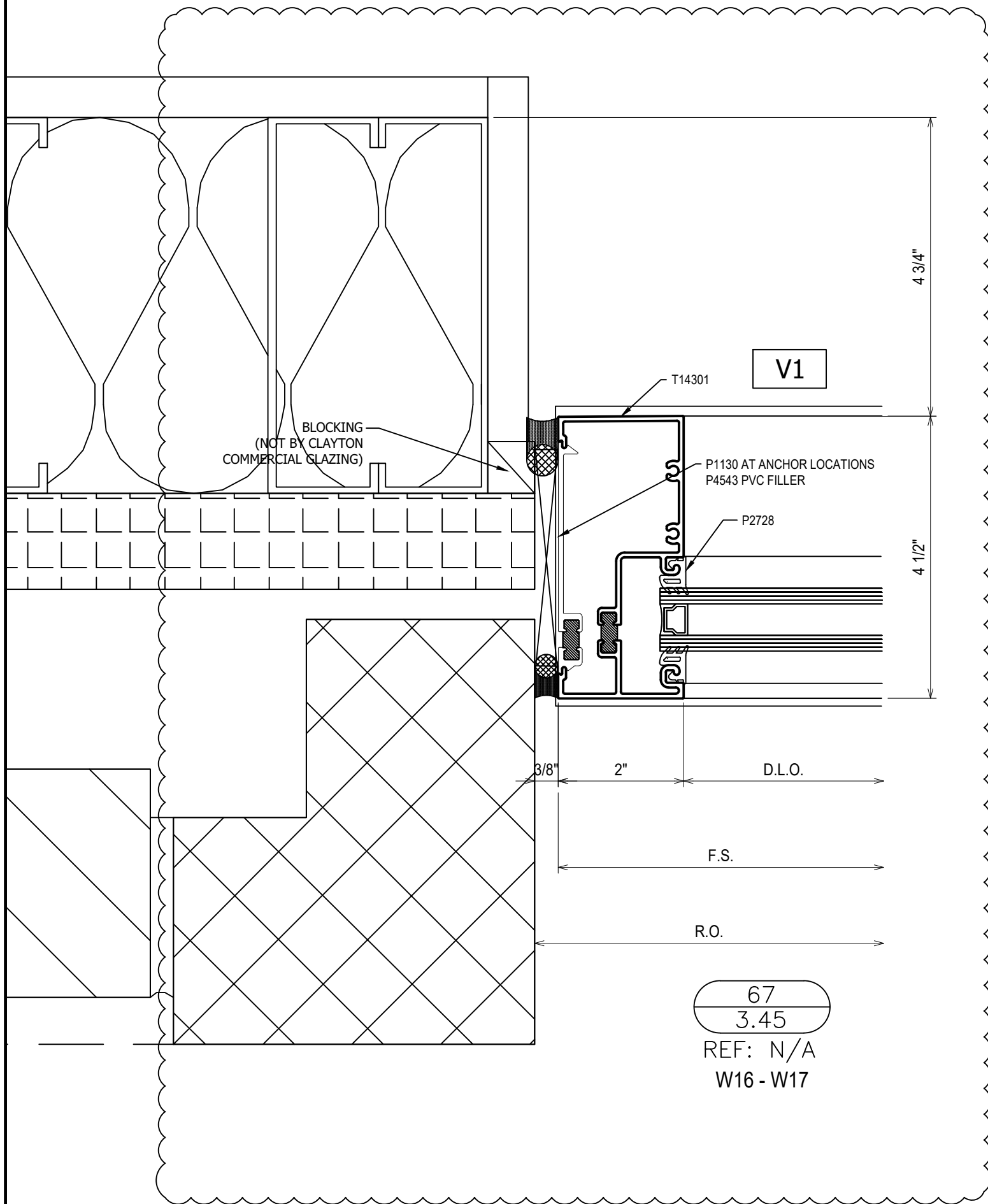
PROJECT: NORTH STATE BANK  
LOCATION: 2413 BLUE RIDGE RD.  
RALEIGH, NC 27607



CLAYTON COMMERCIAL GLAZING  
3210 US HIGHWAY 70W  
SMITHFIELD, NC 27577  
P: 919.550.4024

NO	DESCRIPTION	DATE
	1ST REVISION	05.13.22
	1ST SUBMISSION	03.21.22

DRAWING SUBMISSION



68  
3.45  
REF: N/A  
W18 - W20 - W20 OPP.  
W21A - W21B

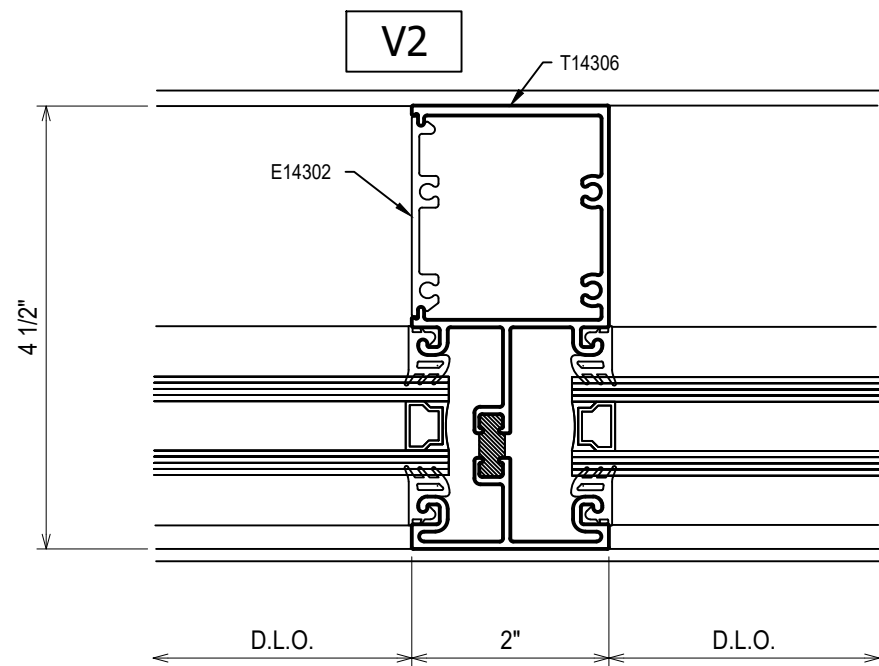
NO	DESCRIPTION	DATE
1ST REVISION		05.13.22
1ST SUBMISSION		03.21.22

CLAYTON COMMERCIAL GLAZING  
3210 US HIGHWAY 70W  
SMITHFIELD, NC 27577  
P: 919.550.4024

PROJECT:	NORTH STATE BANK
LOCATION:	2413 BLUE RIDGE RD. RALEIGH, NC 27607

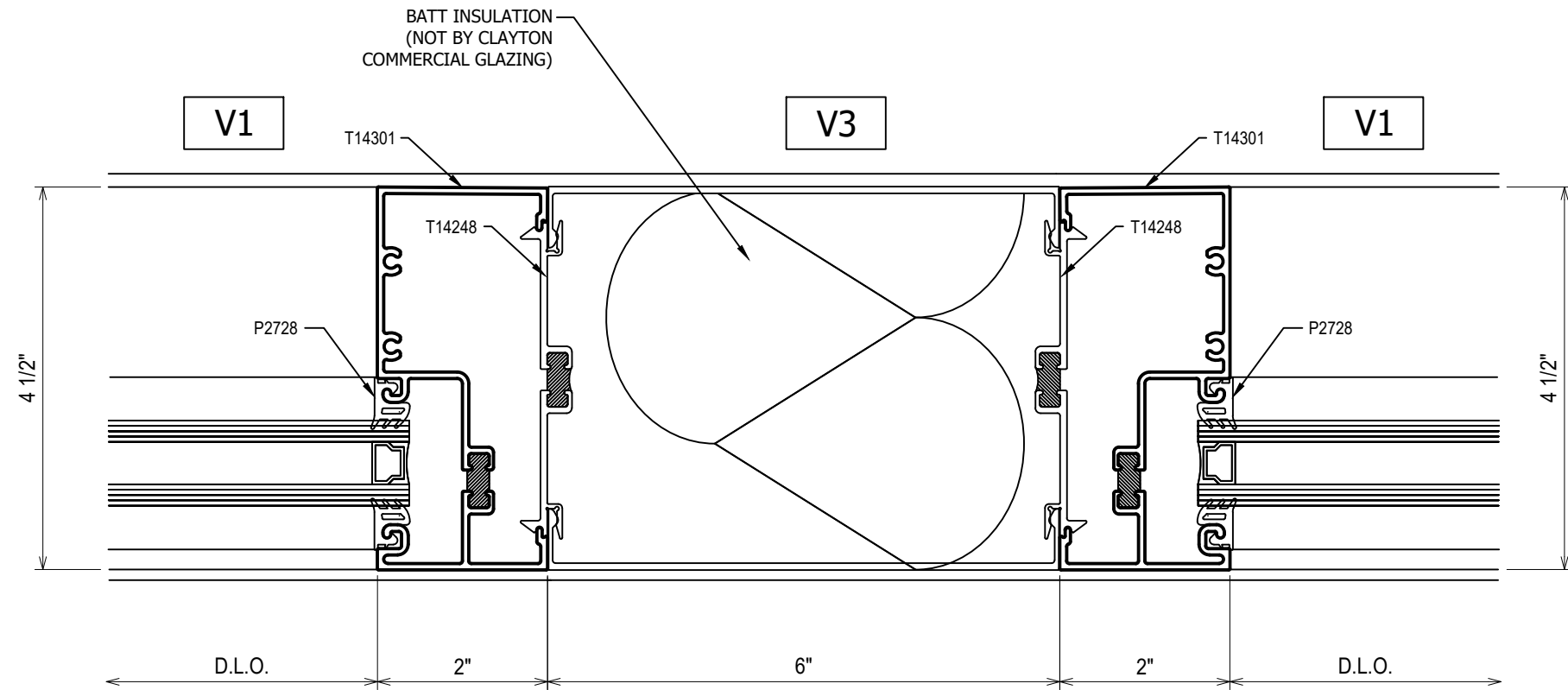
DRAWN BY:	CW	DATE:	03.21.22
CHECKED BY:	BT	DATE:	03.21.22
JOB NO.:			

3.45



69  
3.46

REF: N/A  
W16 - W17 - W18  
W20 - W20 OPP.  
W21A - W21B - W22  
W23 - W24 - W25



70  
3.46

REF: N/A  
W17 - W24

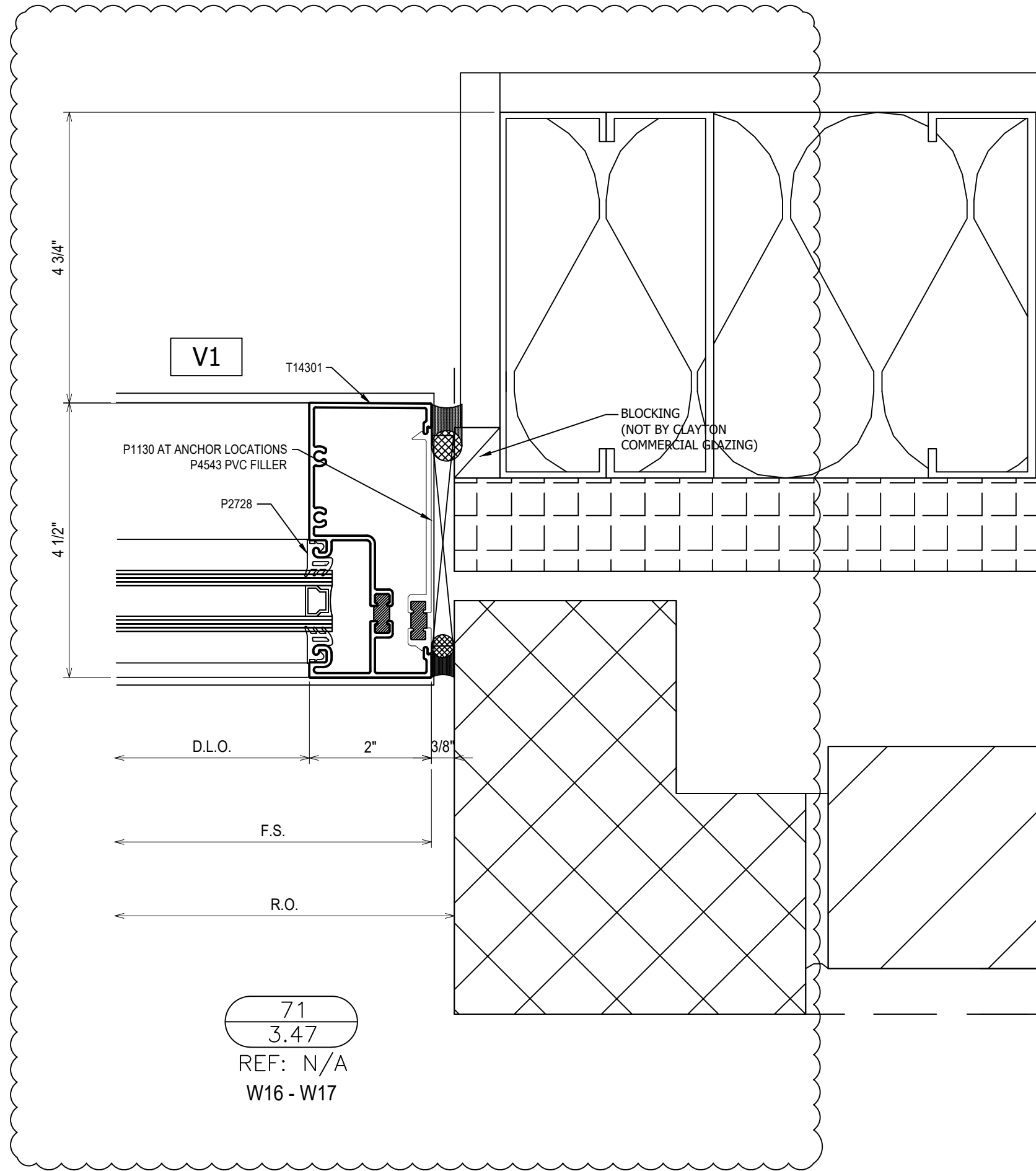
NO	DESCRIPTION	DATE
1ST REVISION		05.13.22
1ST SUBMISSION		03.21.22

CLAYTON COMMERCIAL GLAZING  
3210 US HIGHWAY 70W  
SMITHFIELD, NC 27577  
P: 919.550.4024

PROJECT:	NORTH STATE BANK
LOCATION:	2413 BLUE RIDGE RD. RALEIGH, NC 27607

DRAWN BY:	CW	DATE:	03.21.22
CHECKED BY:	BT	DATE:	03.21.22
JOB NO.:			

3.46



V1

T14301

P1130 AT ANCHOR LOCATIONS  
P4543 PVC FILLER

P2728

BLOCKING  
(NOT BY CLAYTON  
COMMERCIAL GLAZING)

D.L.O.

2"

3/8"

F.S.

R.O.

71  
3.47

REF: N/A

W16 - W17

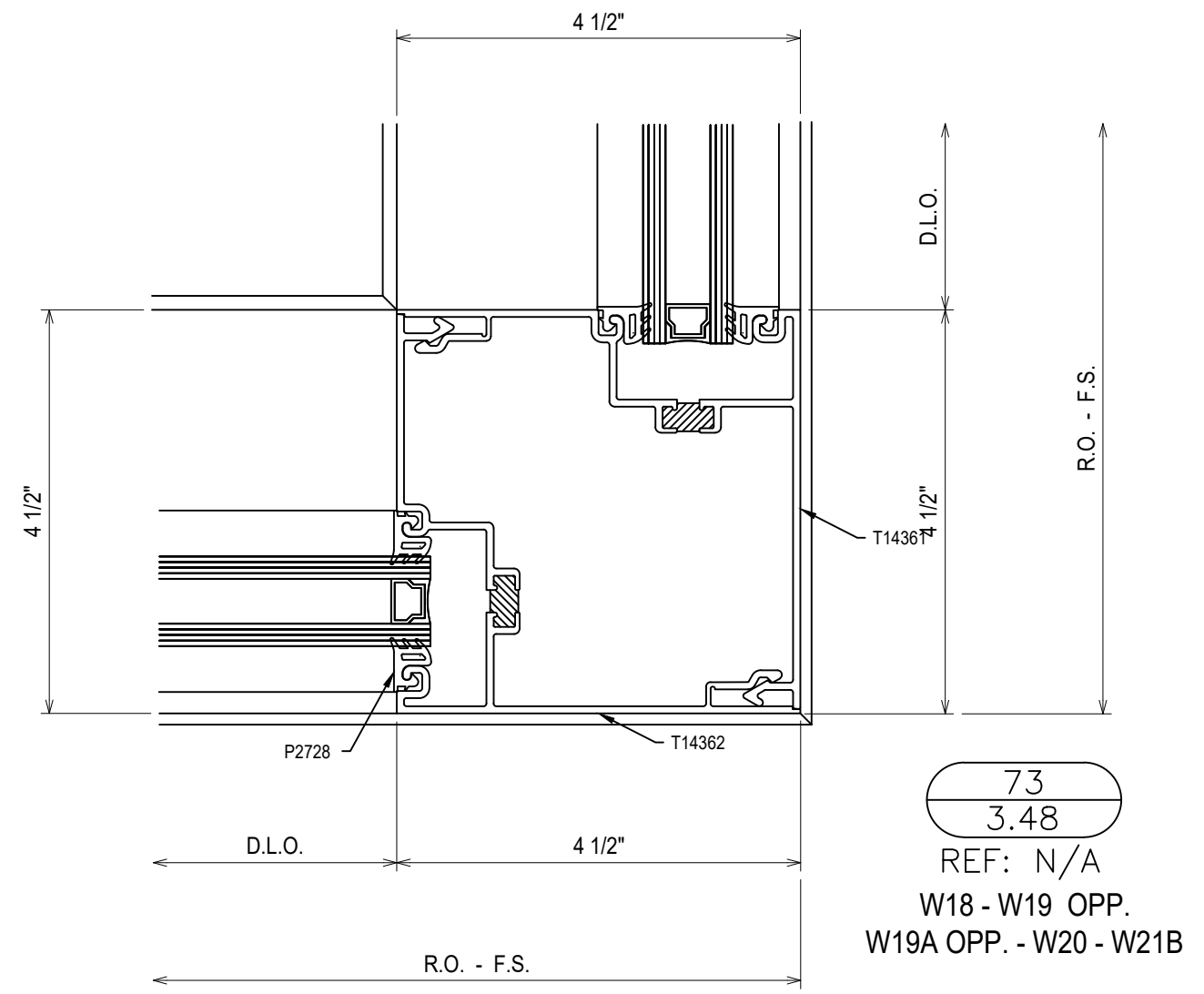
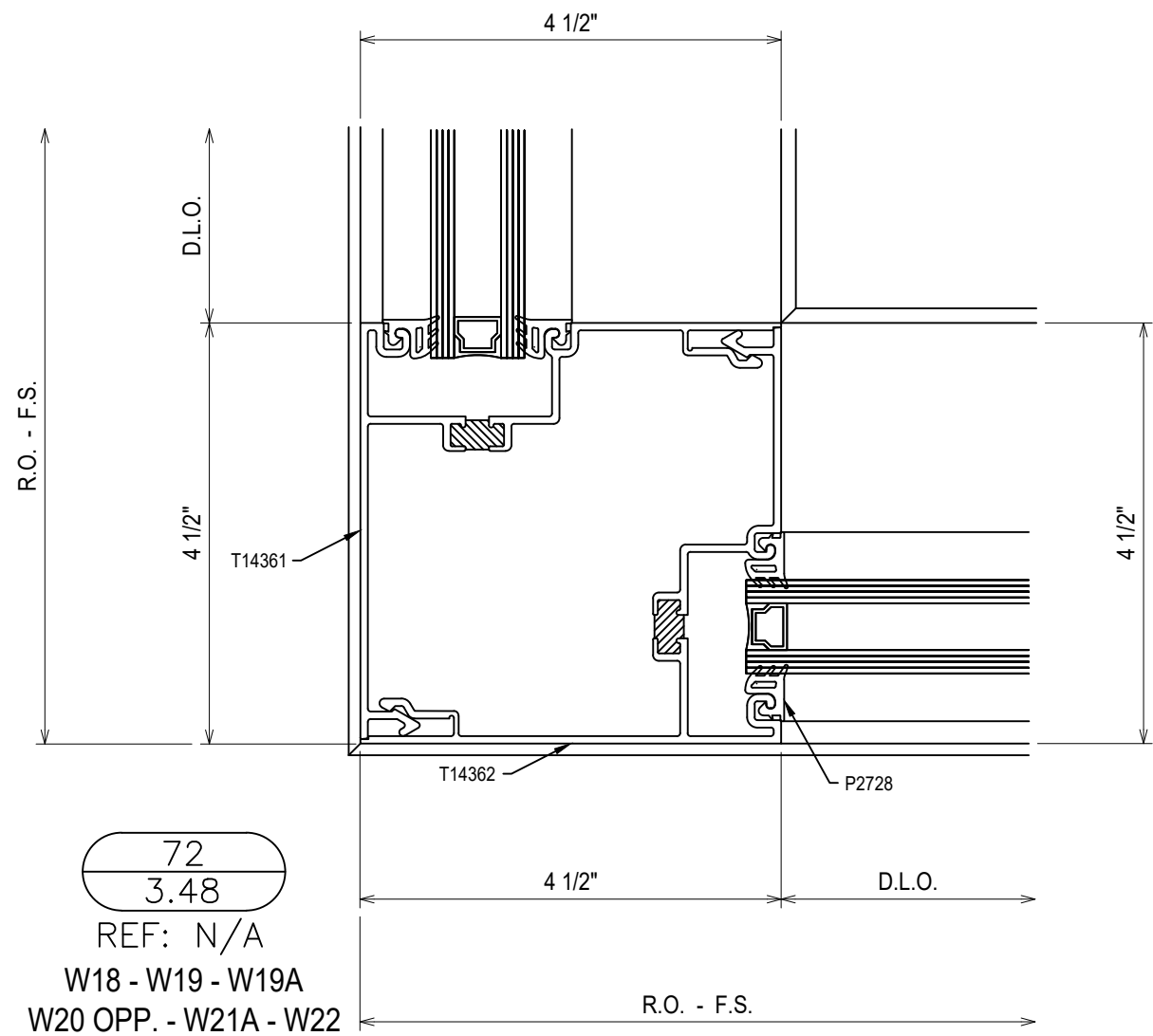
NO	DESCRIPTION	DATE
1ST REVISION		05.13.22
1ST SUBMISSION		03.21.22

CLAYTON COMMERCIAL GLAZING  
3210 US HIGHWAY 70W  
SMITHFIELD, NC 27577  
P: 919.550.4024

PROJECT: NORTH STATE BANK  
LOCATION: 2413 BLUE RIDGE RD.  
RALEIGH, NC 27607

DRAWN BY:	DATE:
CW	03.21.22
CHECKED BY:	DATE:
BT	03.21.22
JOB NO.:	

3.47



72  
 3.48  
 REF: N/A  
 W18 - W19 - W19A  
 W20 OPP. - W21A - W22

73  
 3.48  
 REF: N/A  
 W18 - W19 OPP.  
 W19A OPP. - W20 - W21B

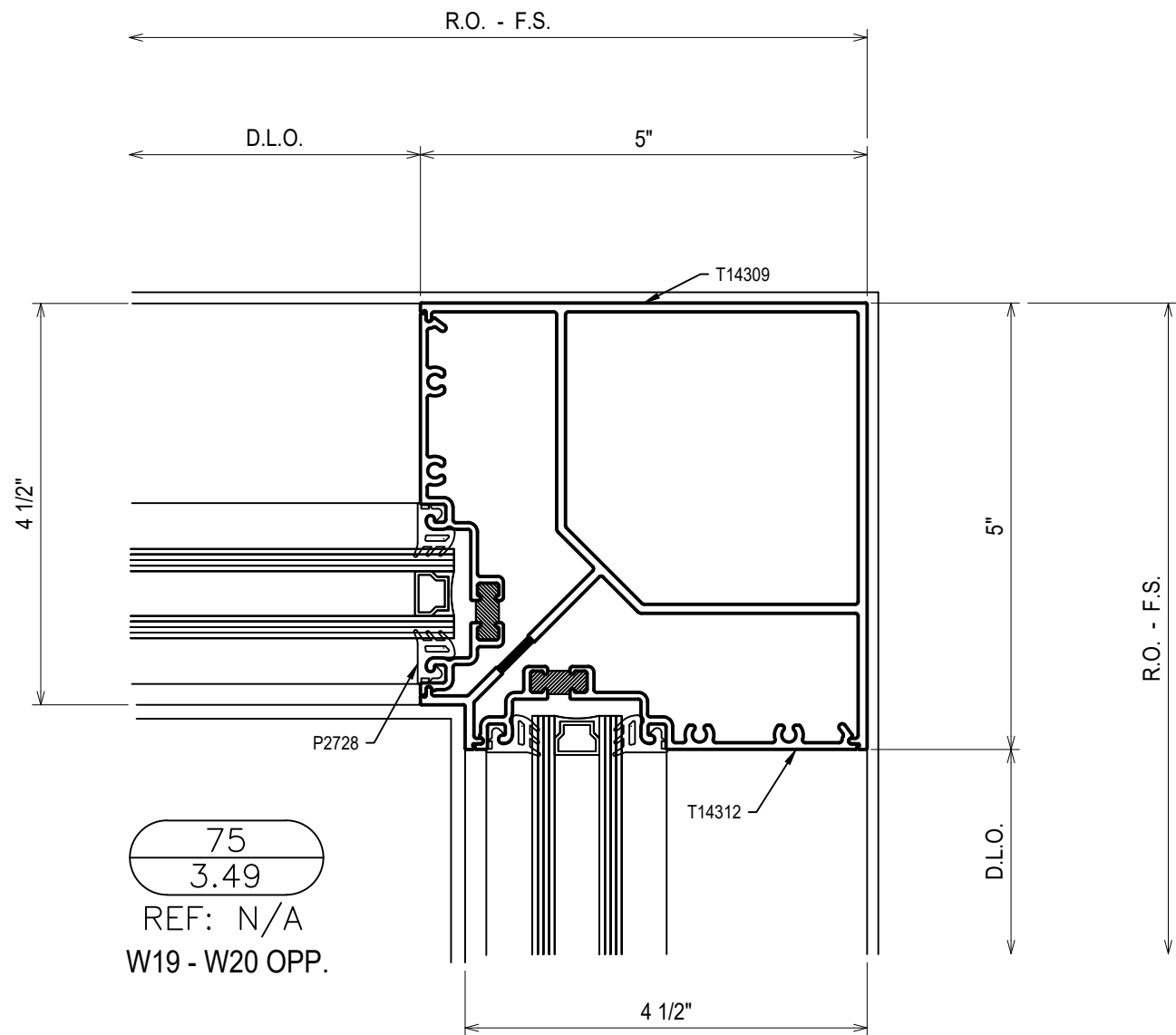
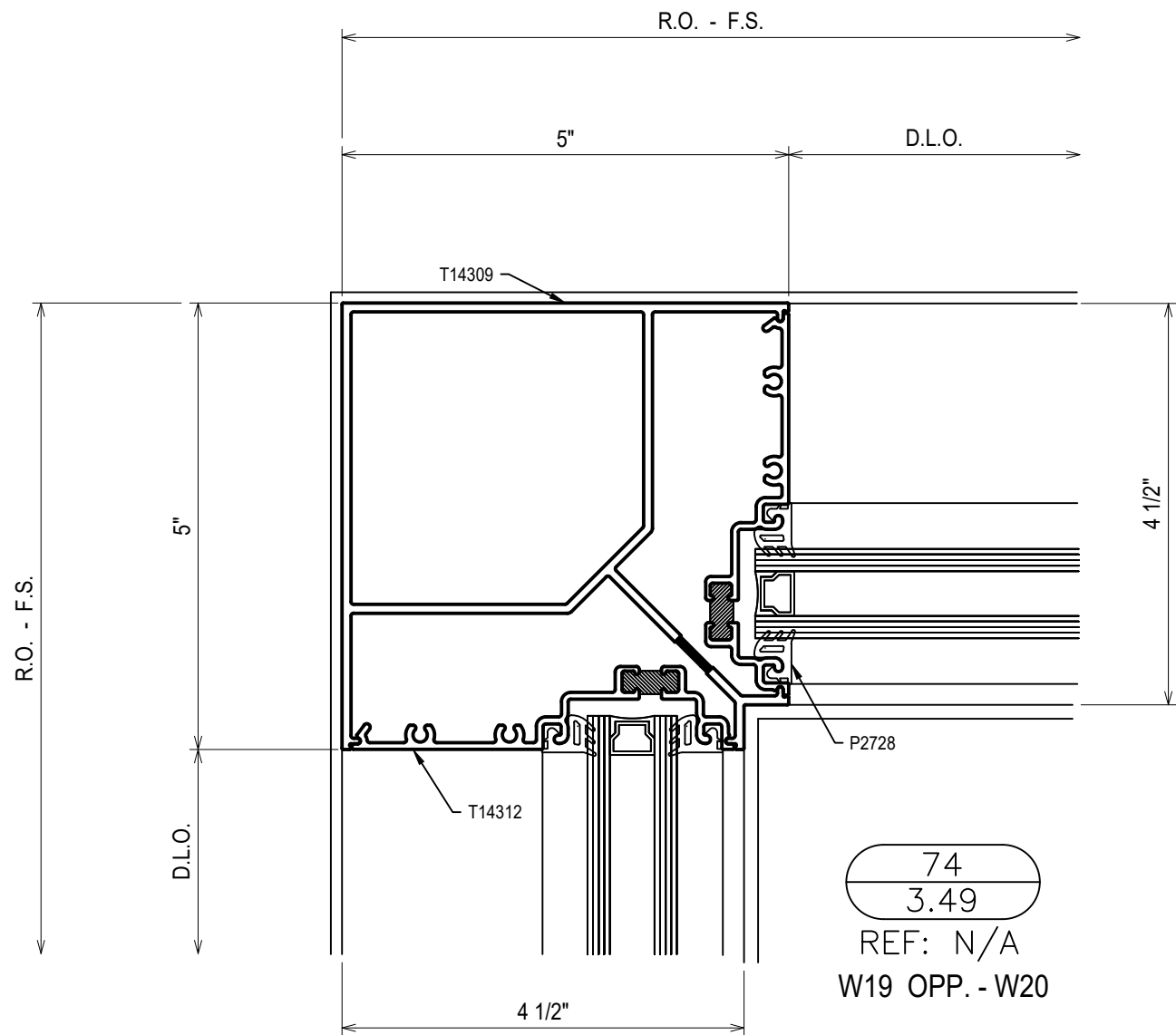
NO	DESCRIPTION	DATE
1ST REVISION		05.13.22
1ST SUBMISSION		03.21.22

CLAYTON COMMERCIAL GLAZING  
 3210 US HIGHWAY 70W  
 SMITHFIELD, NC 27577  
 P: 919.550.4024

PROJECT: NORTH STATE BANK  
 LOCATION: 2413 BLUE RIDGE RD.  
 RALEIGH, NC 27607

DRAWN BY:	DATE:
CW	03.21.22
CHECKED BY:	DATE:
BT	03.21.22

JOB NO.: 3.48



NO	DESCRIPTION	DATE
1	1ST REVISION	05.13.22
2	1ST SUBMISSION	03.21.22

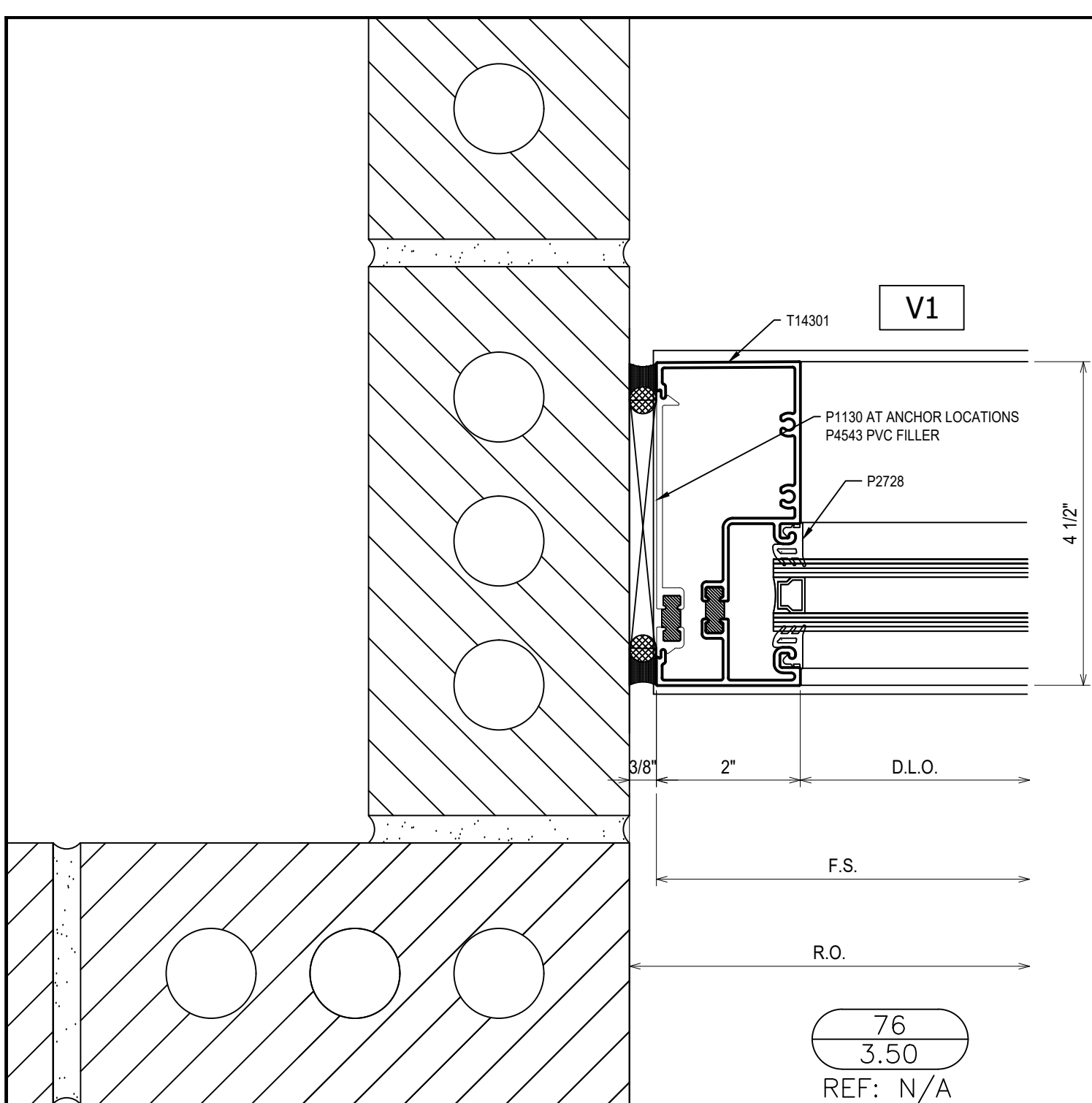
CLAYTON COMMERCIAL GLAZING  
3210 US HIGHWAY 70W  
SMITHFIELD, NC 27577  
P: 919.550.4024

PROJECT:	NORTH STATE BANK
LOCATION:	2413 BLUE RIDGE RD. RALEIGH, NC 27607

DRAWN BY:	CW	DATE:	03.21.22
CHECKED BY:	BT	DATE:	03.21.22

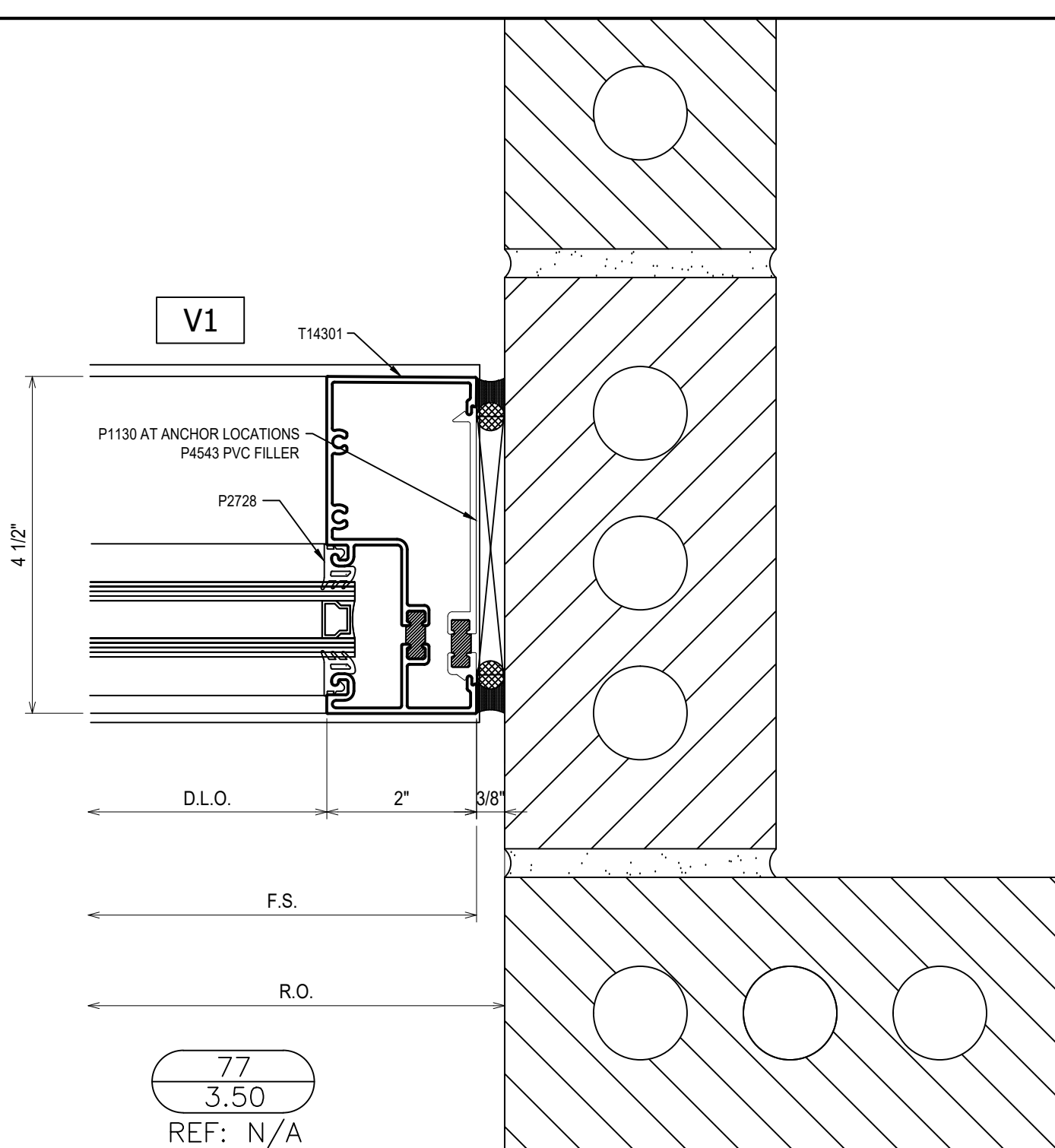
JOB NO.:  
3.49





76  
 3.50

REF: N/A  
 W23 - W24 - W25



77  
 3.50

REF: N/A  
 W23 - W24 - W25

NO	DESCRIPTION	DATE
1ST REVISION		05.13.22
1ST SUBMISSION		03.21.22

CLAYTON COMMERCIAL GLAZING  
 3210 US HIGHWAY 70W  
 SMITHFIELD, NC 27577  
 P: 919.550.4024

PROJECT: NORTH STATE BANK  
 LOCATION: 2413 BLUE RIDGE RD.  
 RALEIGH, NC 27607

DRAWN BY:	DATE:
CW	03.21.22
CHECKED BY:	DATE:
BT	03.21.22

JOB NO.:  
 3.50



PROJECT: NORTH STATE BANK  
LOCATION: 2413 BLUE RIDGE RD.  
RALEIGH, NC 27607

CLAYTON COMMERCIAL GLAZING  
3210 US HIGHWAY 70W  
SMITHFIELD, NC 27577  
P: 919.550.4024

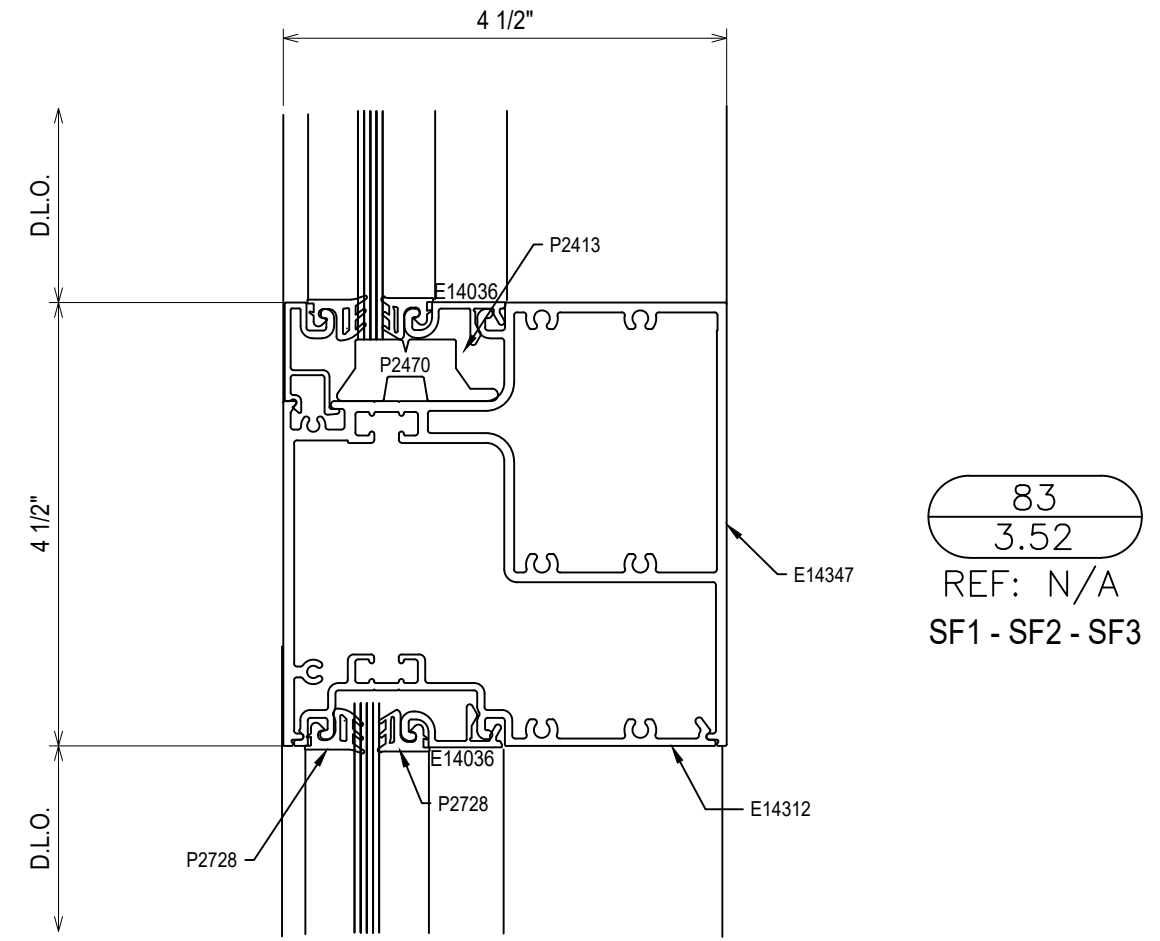
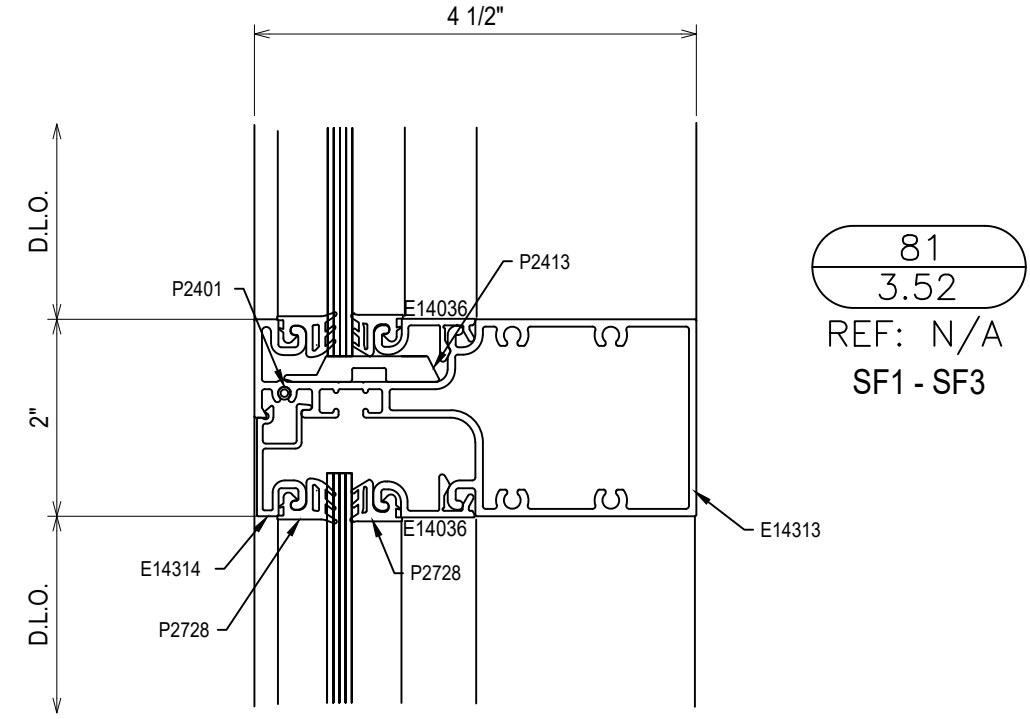
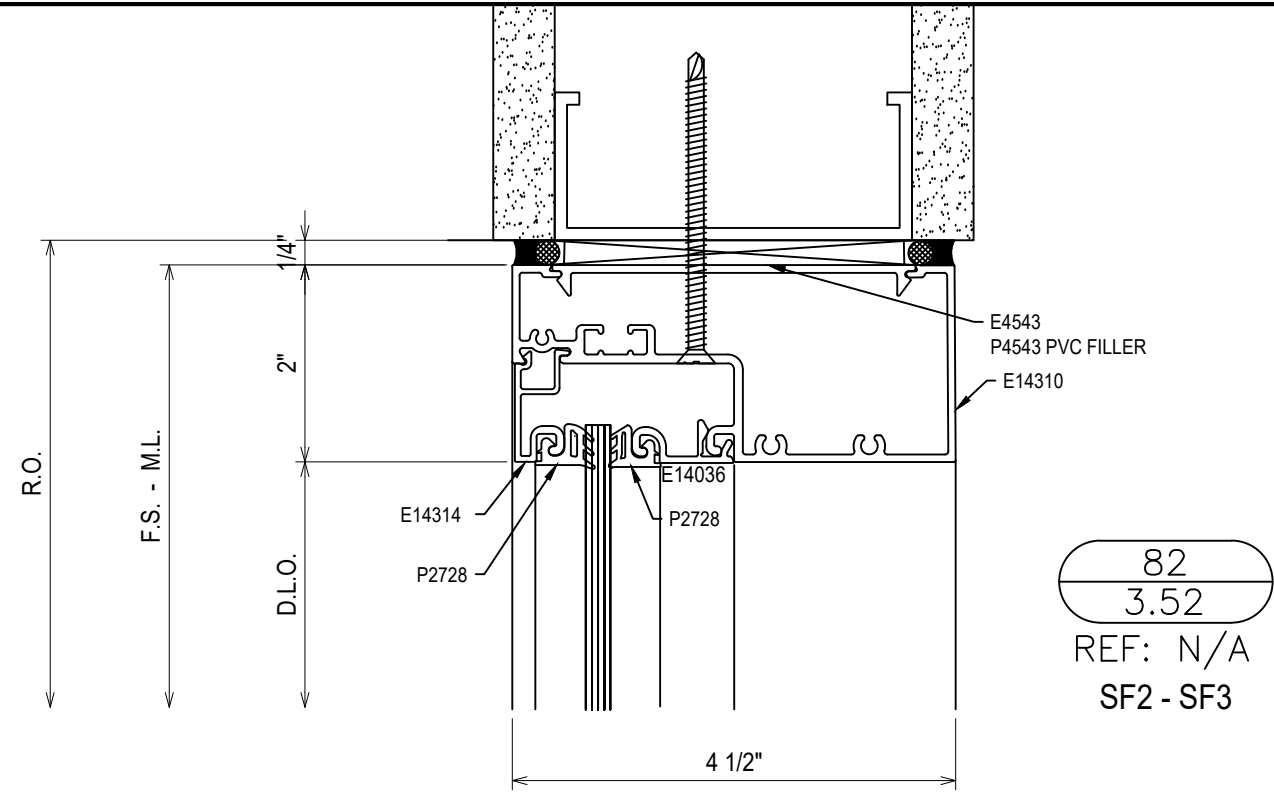
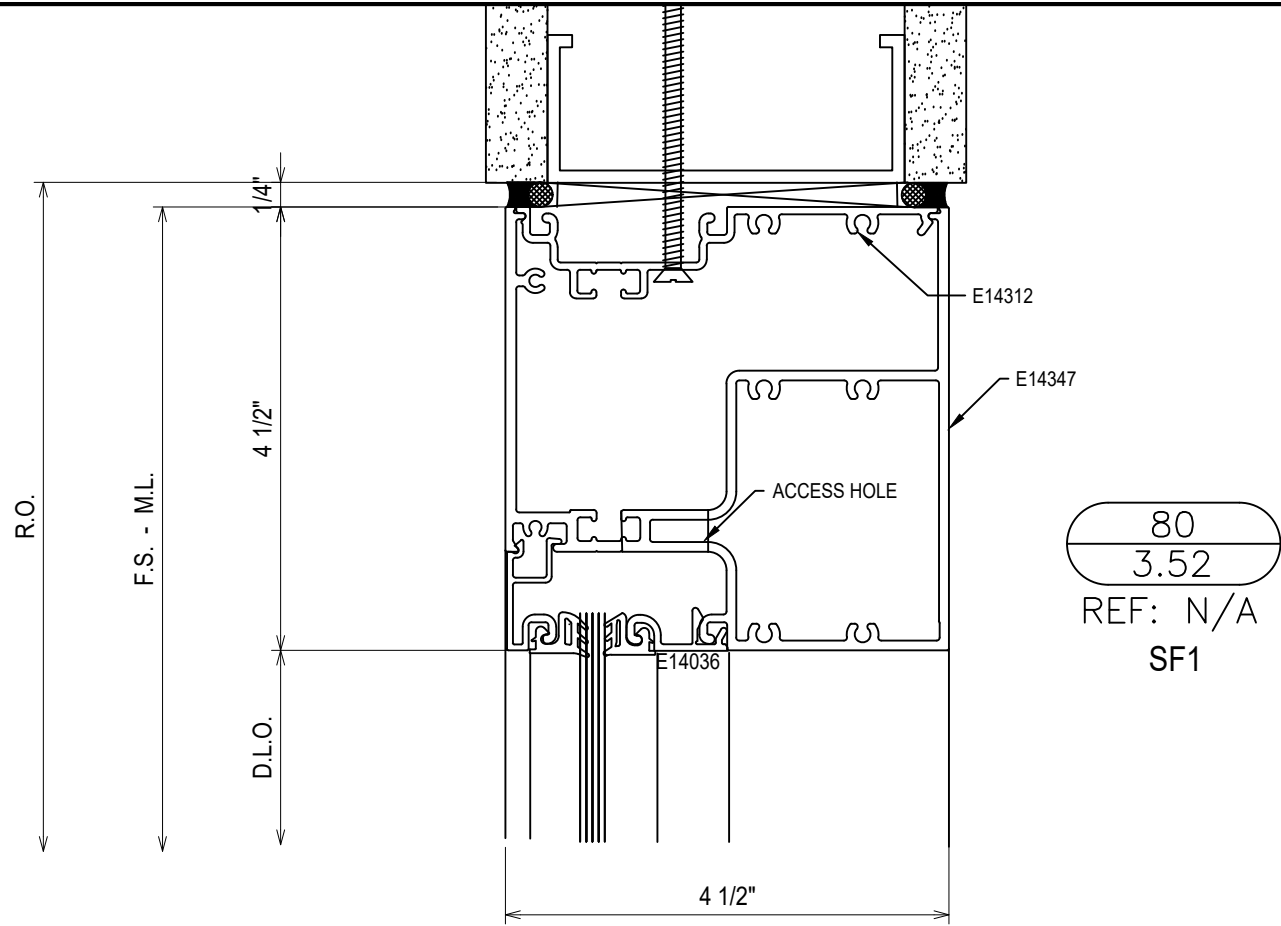
DRAWN BY:	DATE:
CW	03.21.22
CHECKED BY:	DATE:
BT	03.21.22

JOB NO.:

3.51

NO	DESCRIPTION	DATE
	1ST REVISION	05.13.22
	1ST SUBMISSION	03.21.22

DRAWING SUBMISSION



**\*\*ARCHITECT/GC DETAIL NOTES\*\*:**  
 CLAYTON COMMERCIAL GLAZING HAS ATTEMPTED TO INTERPRET THE CONTRACT DRAWINGS IN REFERENCE TO THE SURROUND CONDITIONS AT THE WINDOW WALL SYSTEMS. PLEASE REVIEW AND CLARIFY IF THESE CONDITIONS ARE ACCURATE. ANY INACCURACY IN THESE DETAILS WILL NOT HOLD CLAYTON COMMERCIAL GLAZING LIABLE. PLEASE COORDINATE WITH OTHER TRADES TO MAKE THE SURROUND CONDITIONS SO THAT THE WINDOW WALL SYSTEMS ARE ABLE TO BE INSTALLED AND WATERPROOFED PROPERLY.

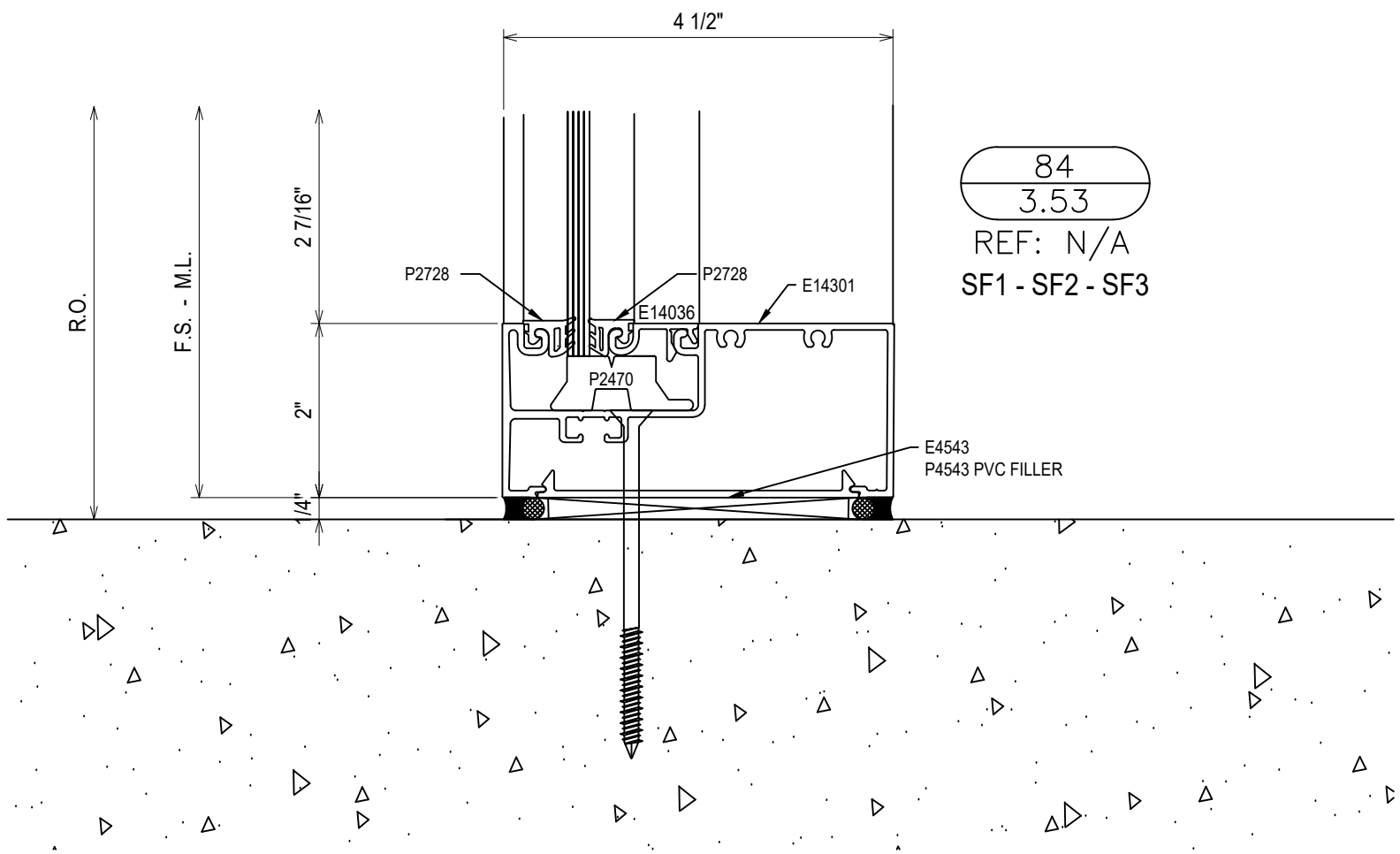
NO	DESCRIPTION	DATE
1ST	SUBMISSION	03.21.22
1ST	REVISION	05.13.22

CLAYTON COMMERCIAL GLAZING  
 3210 US HIGHWAY 70W  
 SMITHFIELD, NC 27577  
 P: 919.550.4024

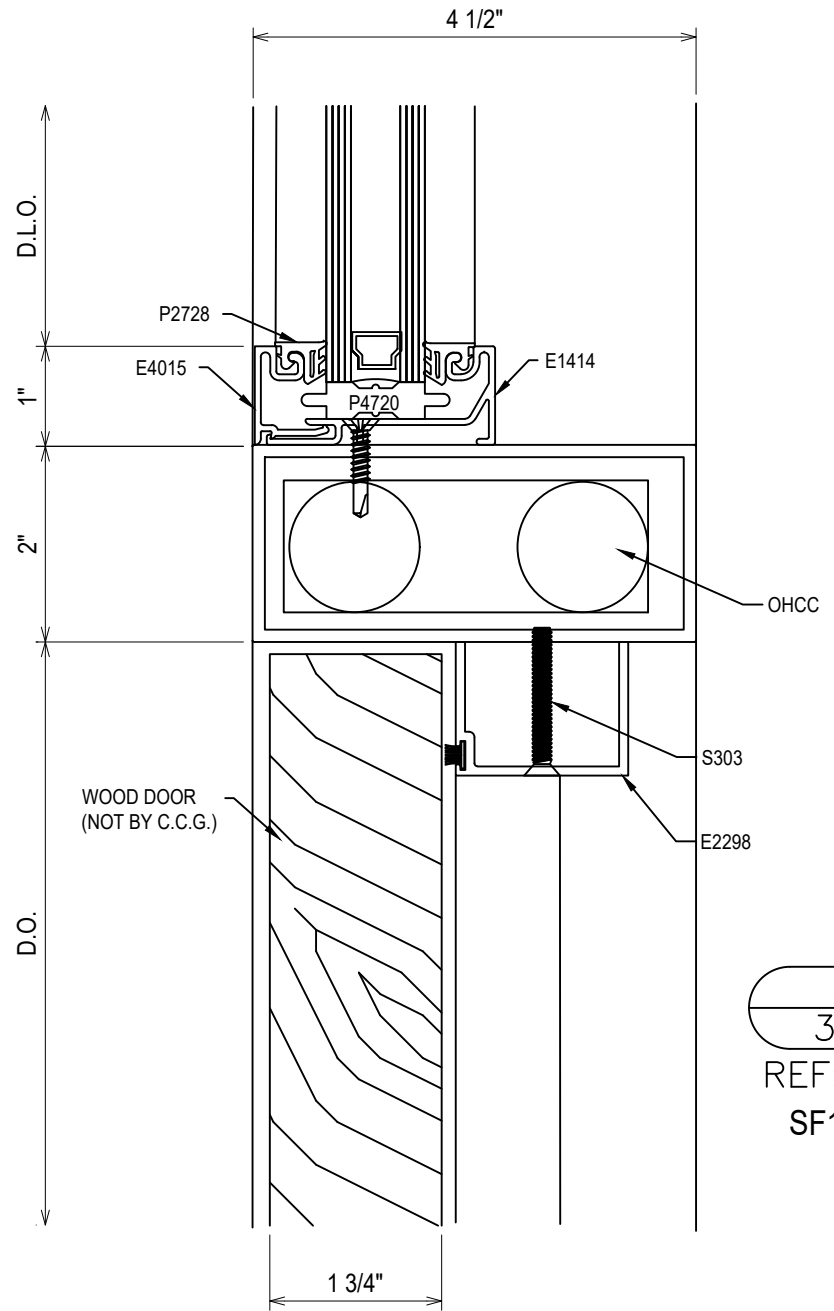
PROJECT: NORTH STATE BANK  
 LOCATION: 2413 BLUE RIDGE RD.  
 RALEIGH, NC 27607

DRAWN BY:	DATE:
CW	03.21.22
CHECKED BY:	DATE:
BT	03.21.22

JOB NO.:  
 3.52



84  
3.53  
REF: N/A  
SF1 - SF2 - SF3



85  
3.53  
REF: N/A  
SF1 - SF3

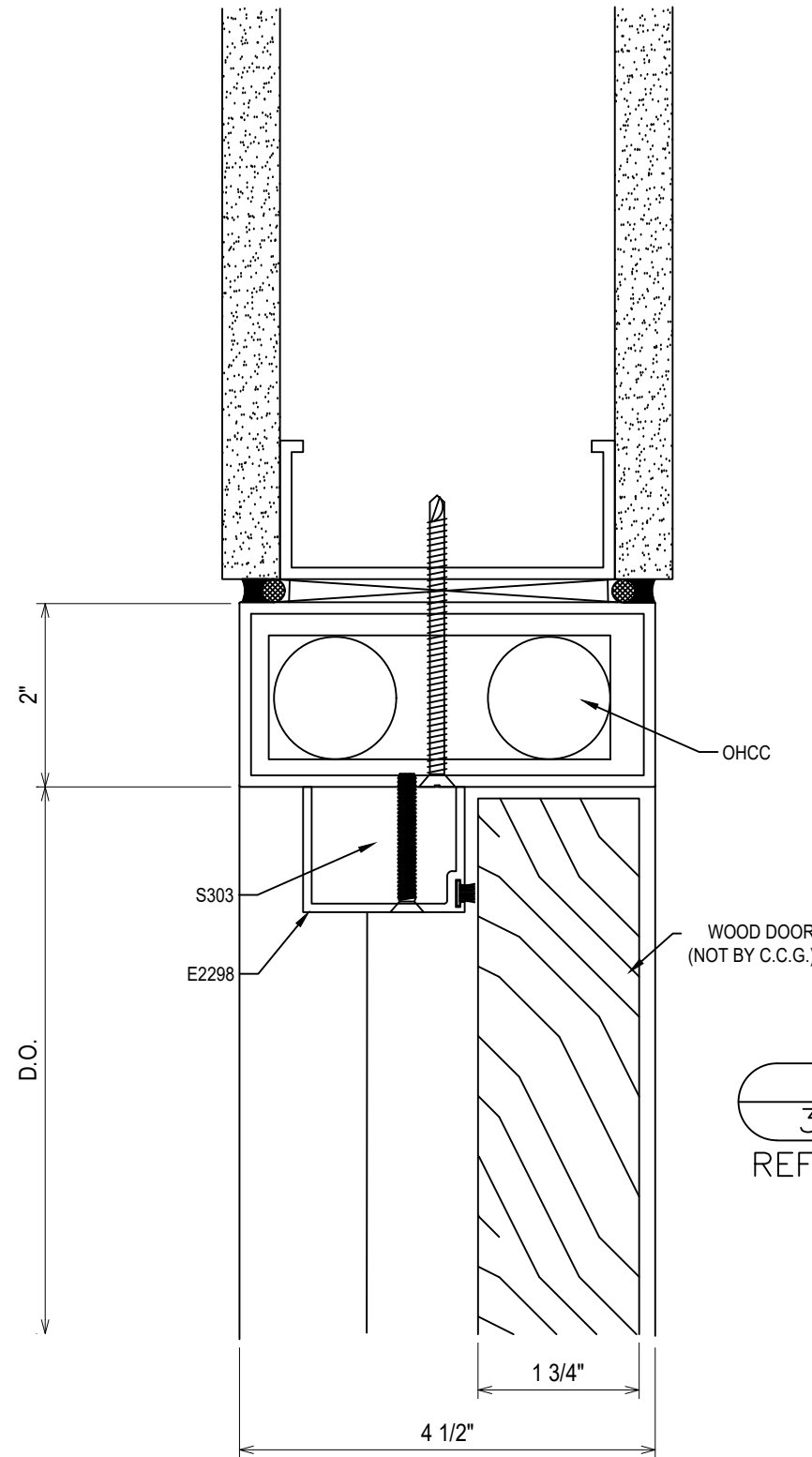
NO	DESCRIPTION	DATE
1ST REVISION		05.13.22
1ST SUBMISSION		03.21.22

CLAYTON COMMERCIAL GLAZING  
3210 US HIGHWAY 70W  
SMITHFIELD, NC 27577  
P: 919.550.4024

PROJECT: NORTH STATE BANK  
LOCATION: 2413 BLUE RIDGE RD.  
RALEIGH, NC 27607

DRAWN BY:	DATE:
CW	03.21.22
CHECKED BY:	DATE:
BT	03.21.22
JOB NO.:	

3.53



86  
3.54  
 REF: N/A  
 SF2

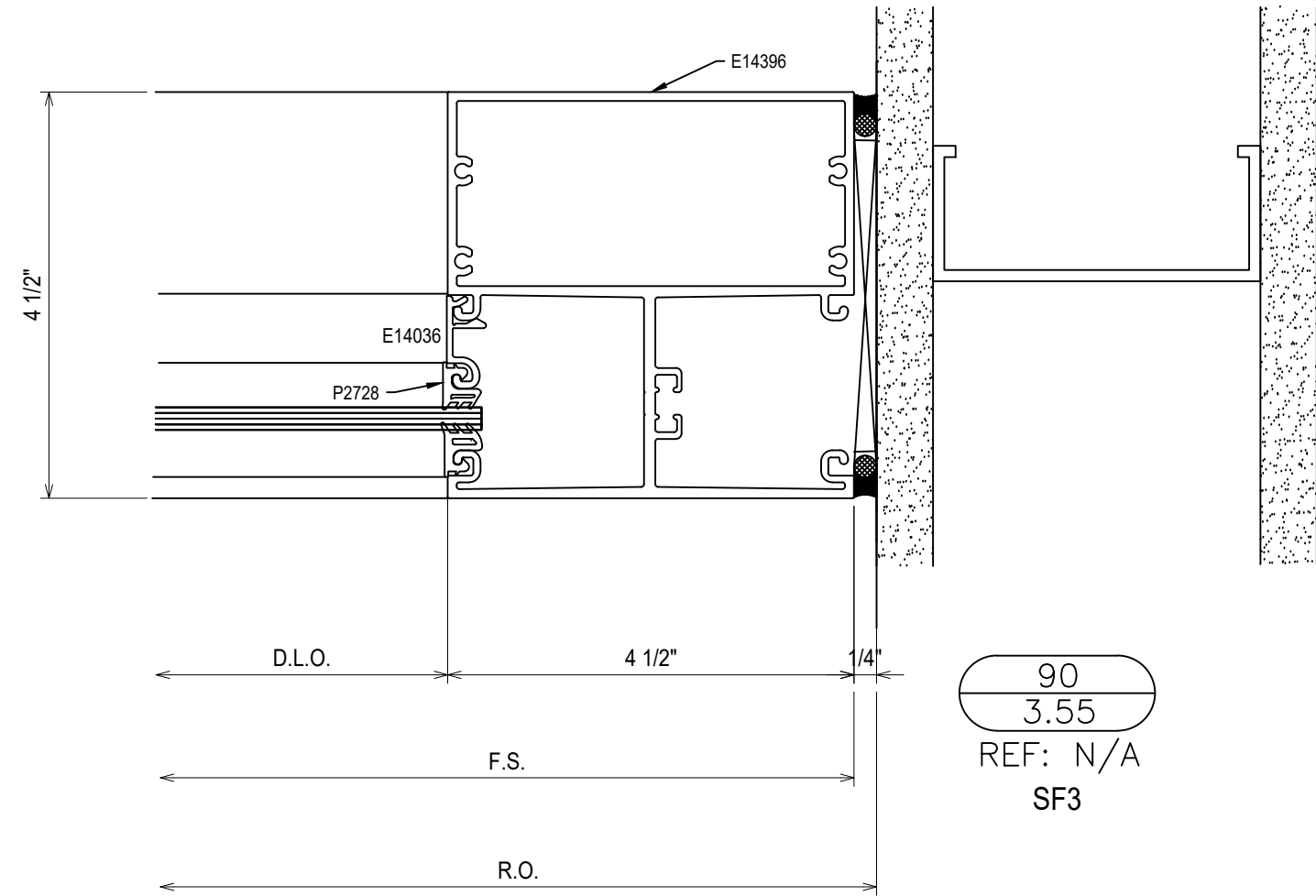
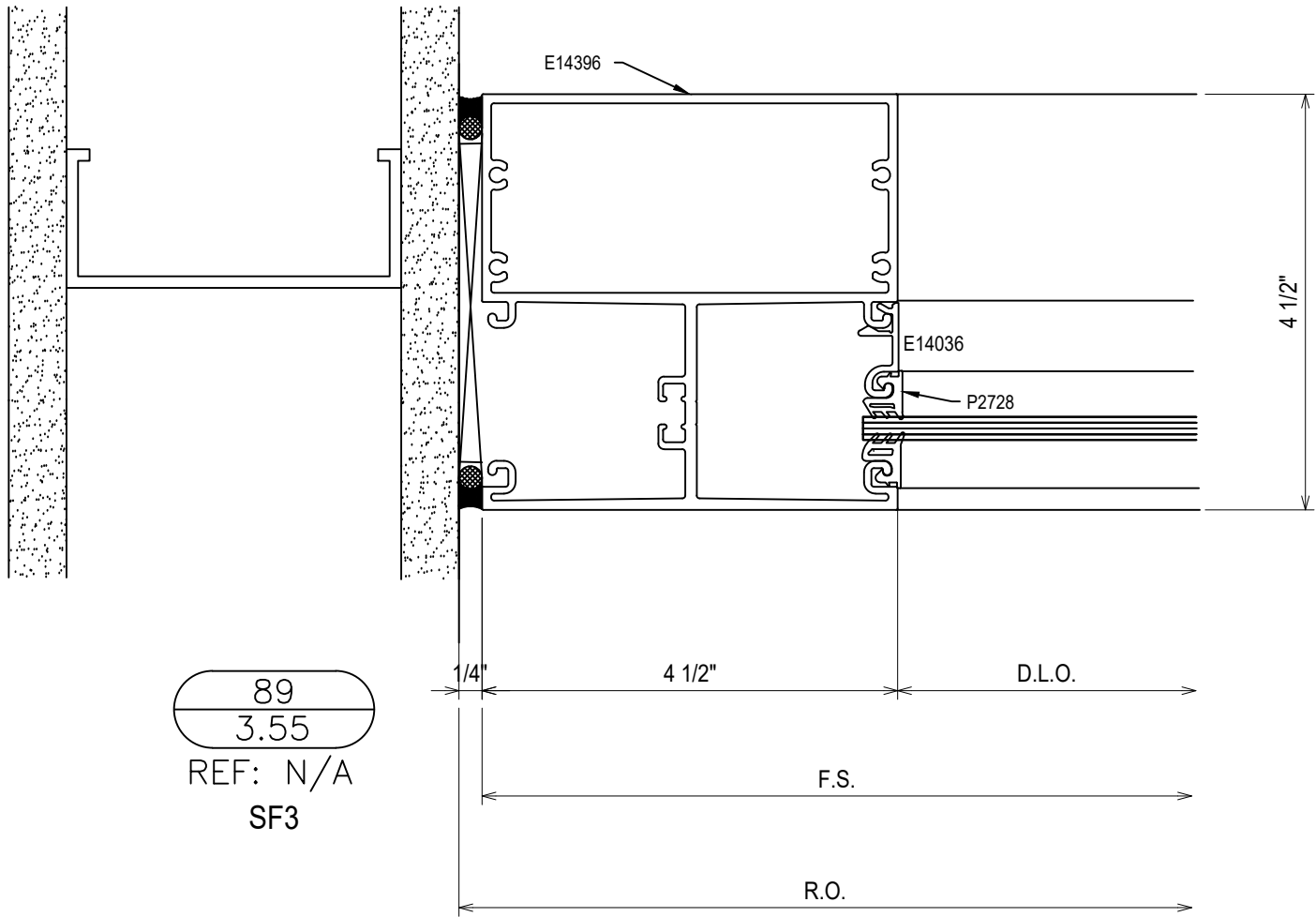
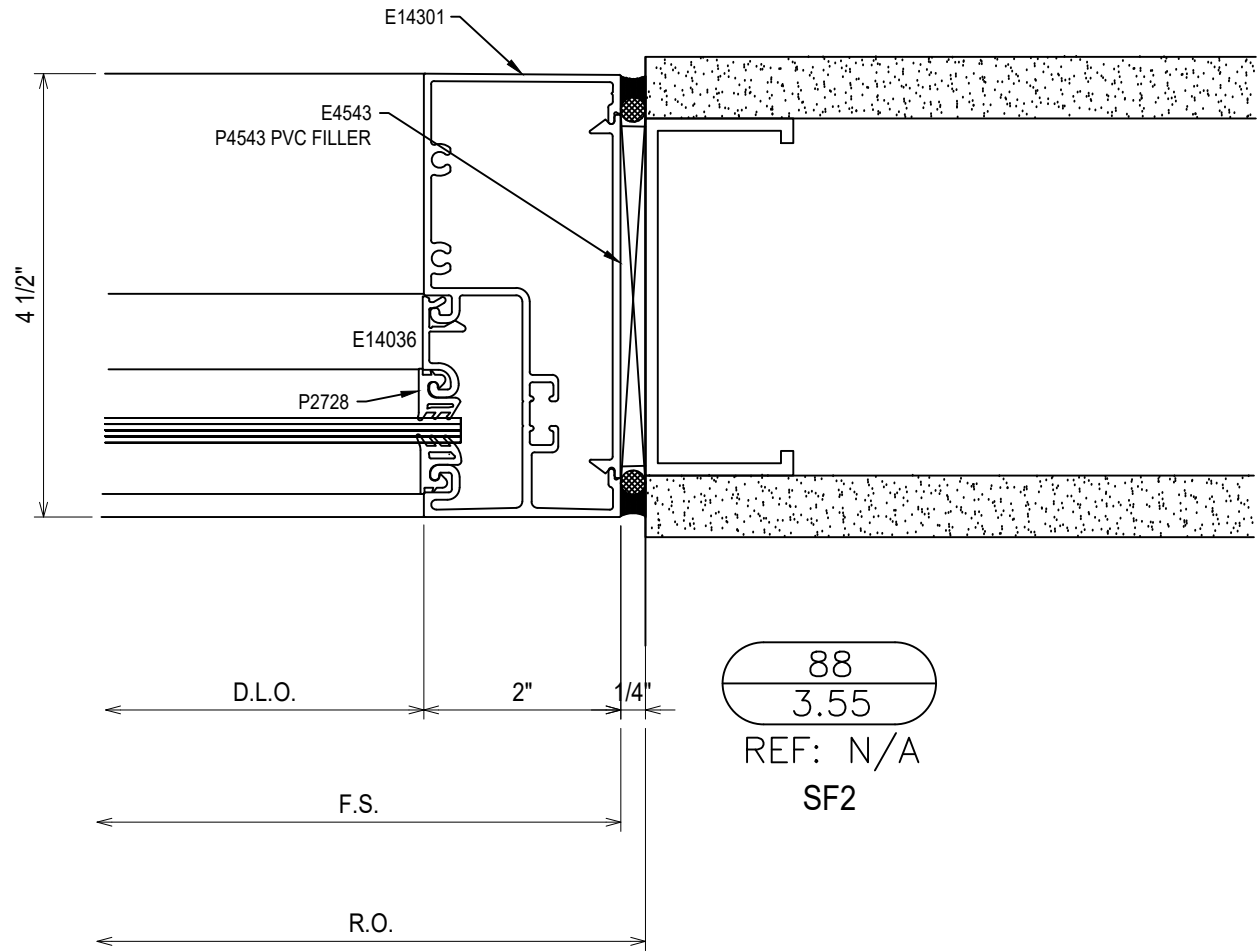
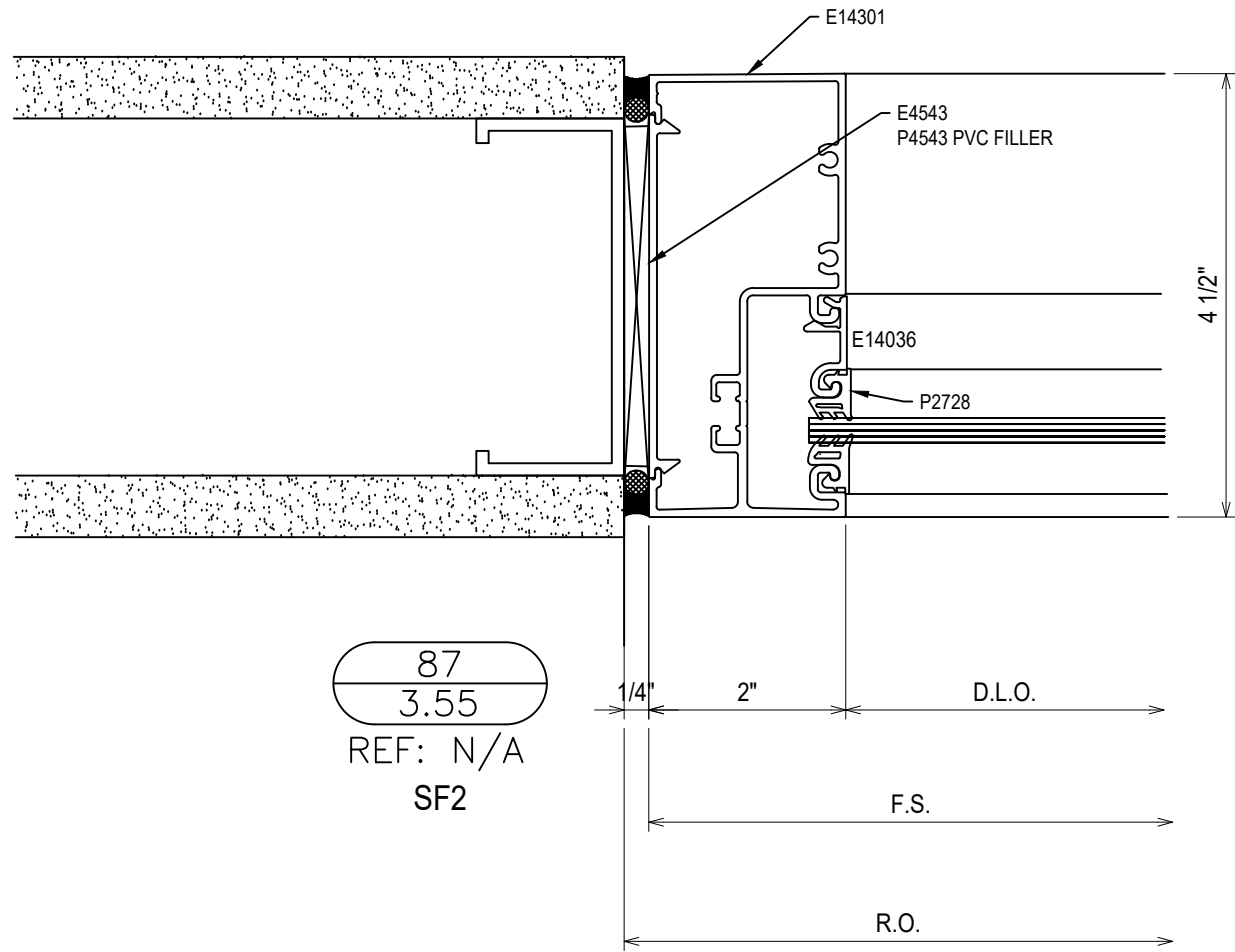
	1ST REVISION	05.13.22			
	1ST SUBMISSION	03.21.22			
	NO		DESCRIPTION	DATE	
			DRAWING SUBMISSION		

**CLAYTON COMMERCIAL GLAZING**  
**3210 US HIGHWAY 70W**  
**SMITHFIELD, NC 27577**  
**P: 919.550.4024**

PROJECT:	NORTH STATE BANK
LOCATION:	2413 BLUE RIDGE RD.
	RALEIGH, NC 27607

DRAWN BY:	DATE:
CW	03.21.22
CHECKED BY:	DATE:
BT	03.21.22
JOB NO.:	

3.54



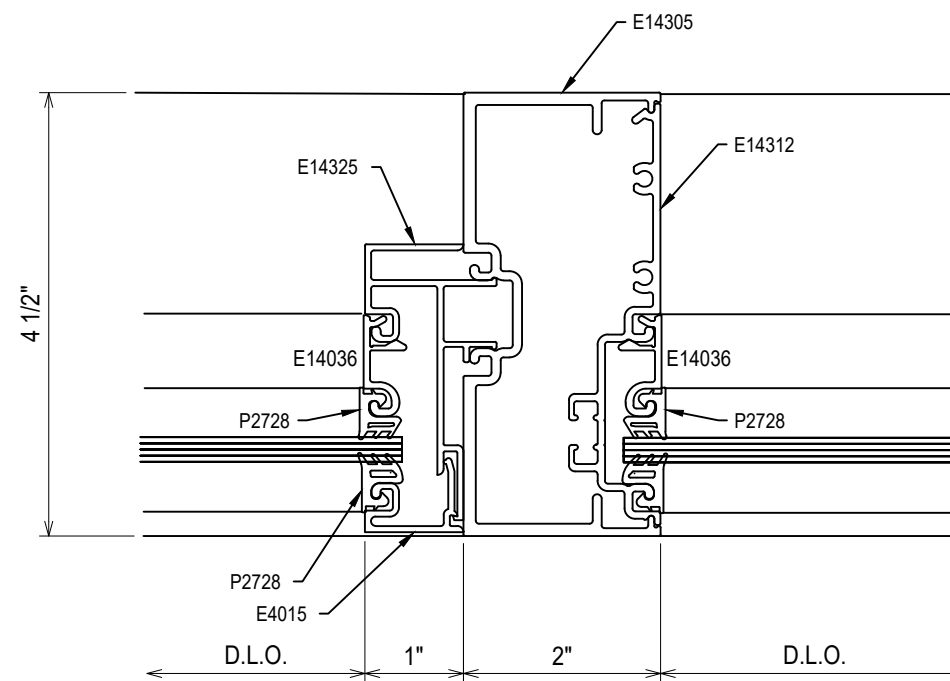
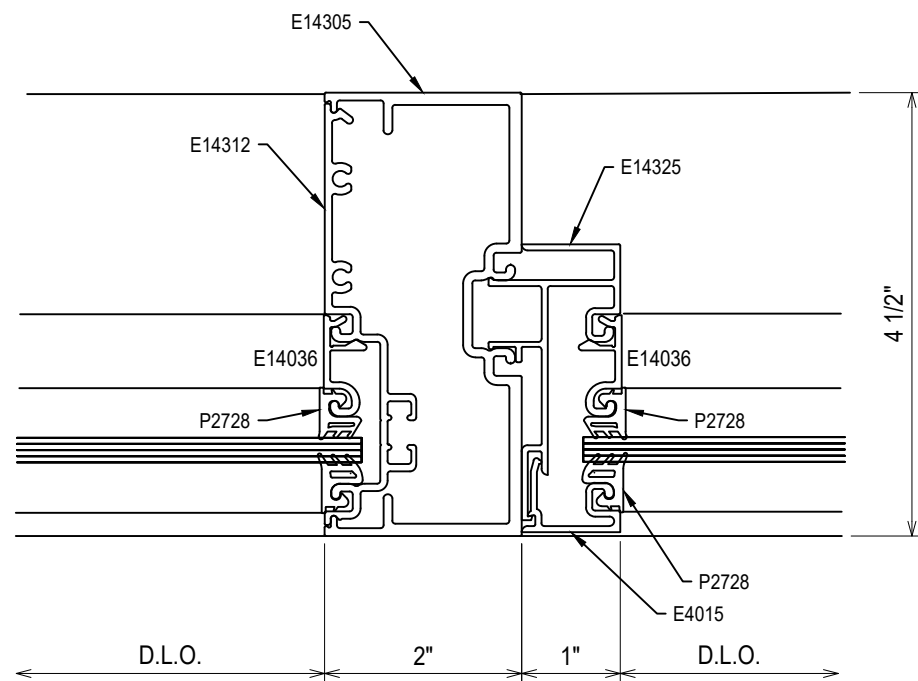
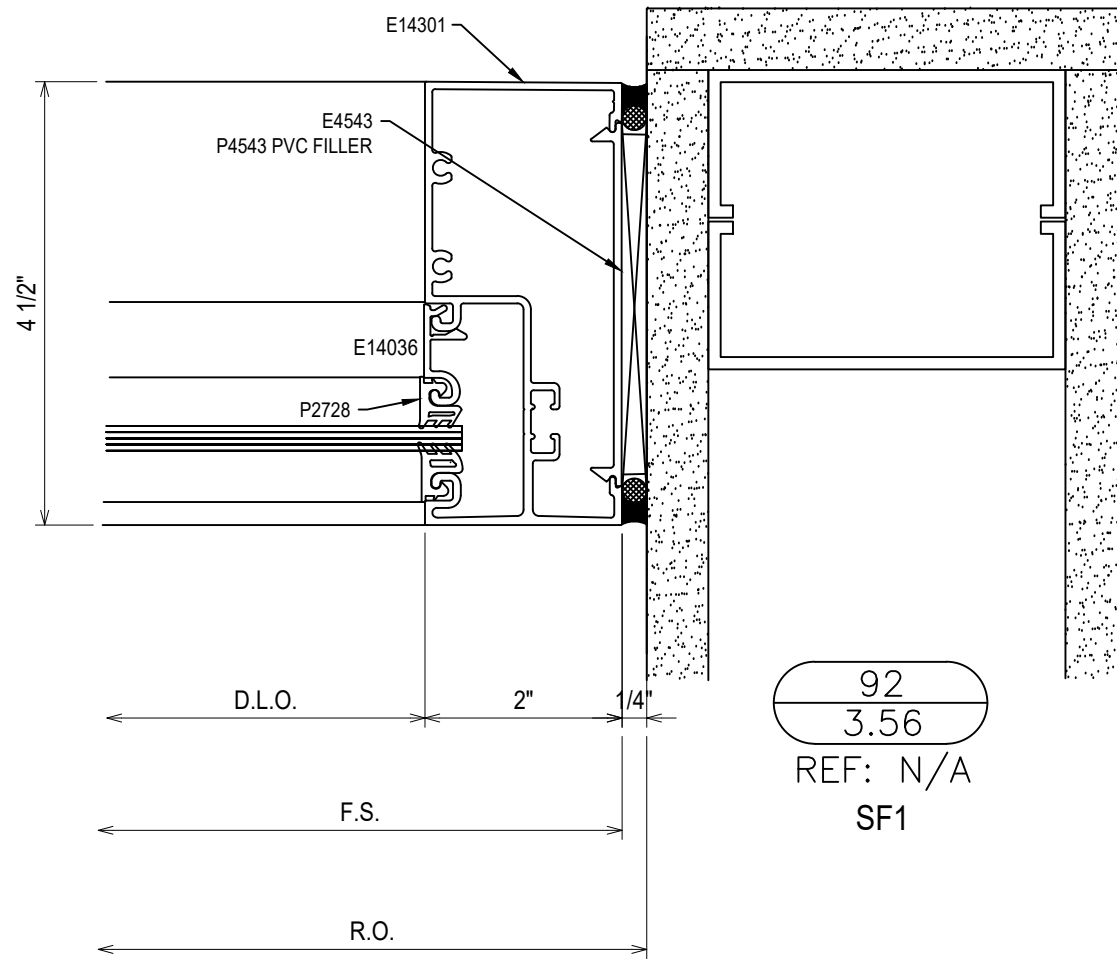
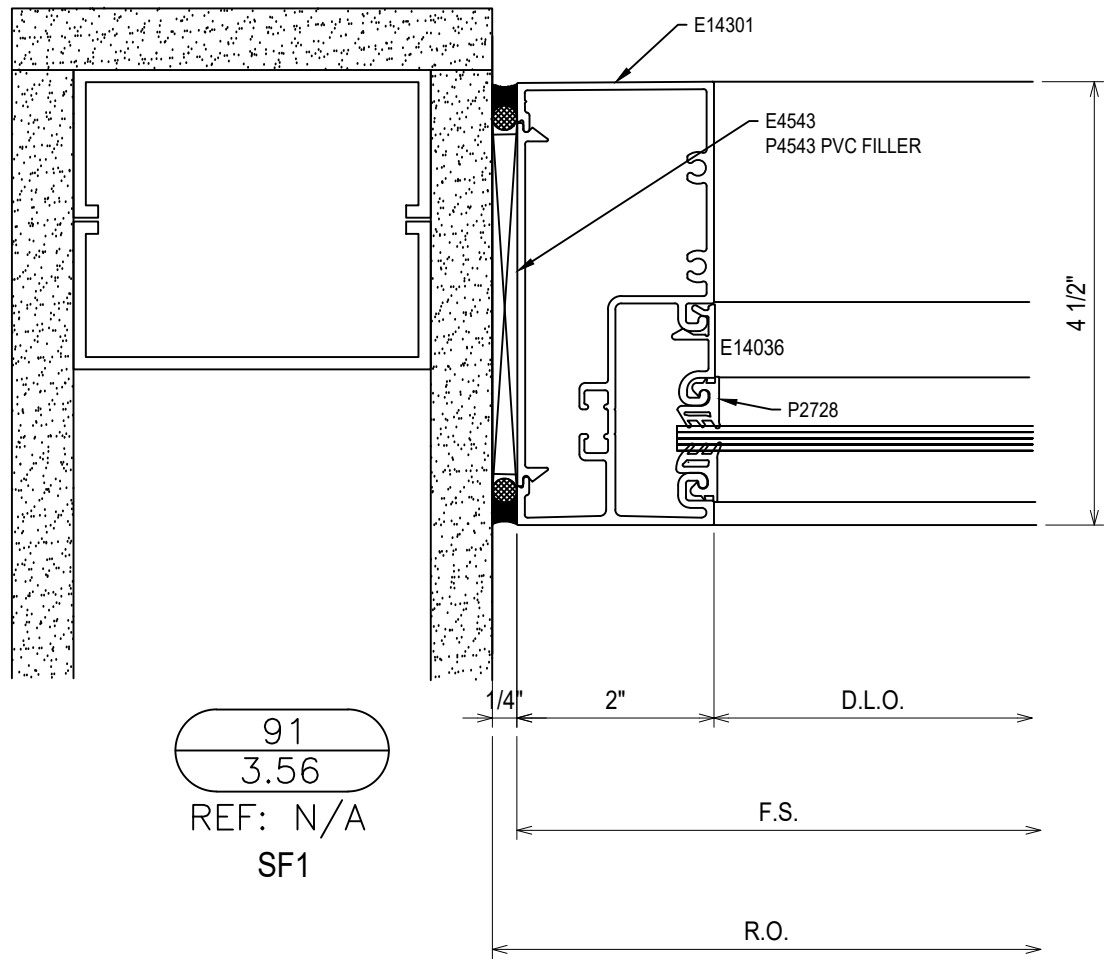
NO	DESCRIPTION	DATE
1ST SUBMISSION		03.21.22
1ST REVISION		05.13.22

CLAYTON COMMERCIAL GLAZING  
3210 US HIGHWAY 70W  
SMITHFIELD, NC 27577  
P: 919.550.4024

PROJECT: NORTH STATE BANK  
LOCATION: 2413 BLUE RIDGE RD.  
RALEIGH, NC 27607

DRAWN BY:	DATE:
CW	03.21.22
CHECKED BY:	DATE:
BT	03.21.22
JOB NO.:	

3.55



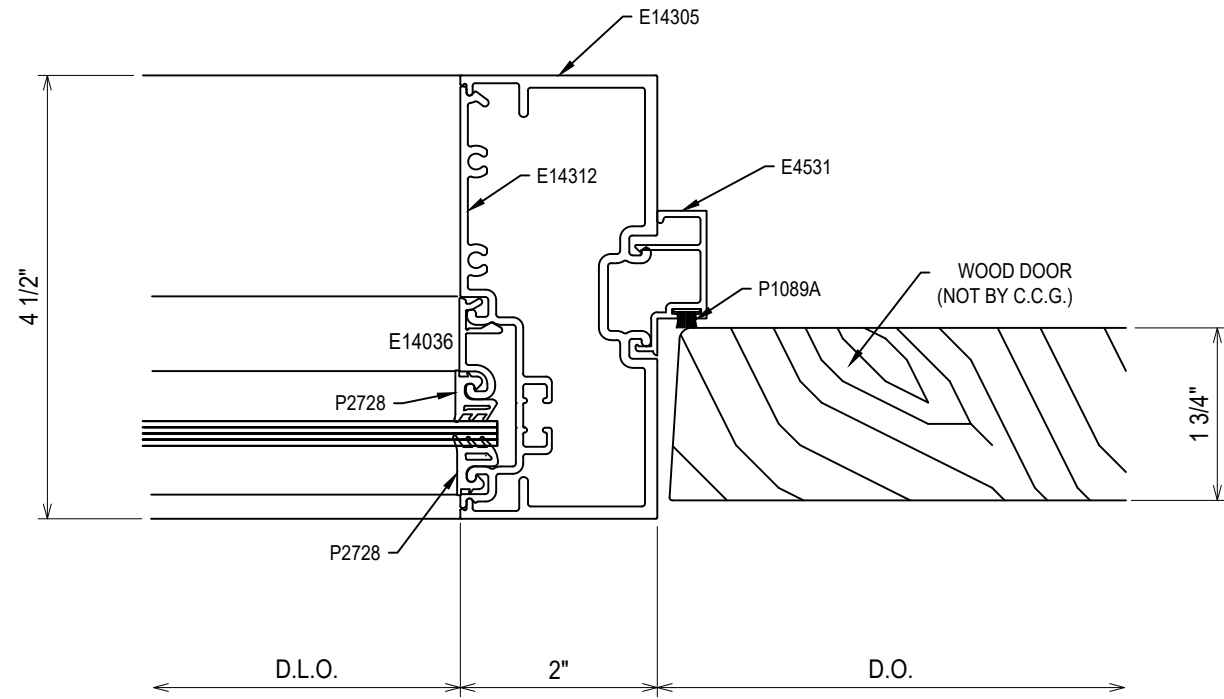
NO	DESCRIPTION	DATE
1ST REVISION		05.13.22
1ST SUBMISSION		03.21.22

CLAYTON COMMERCIAL GLAZING  
3210 US HIGHWAY 70W  
SMITHFIELD, NC 27577  
P: 919.550.4024

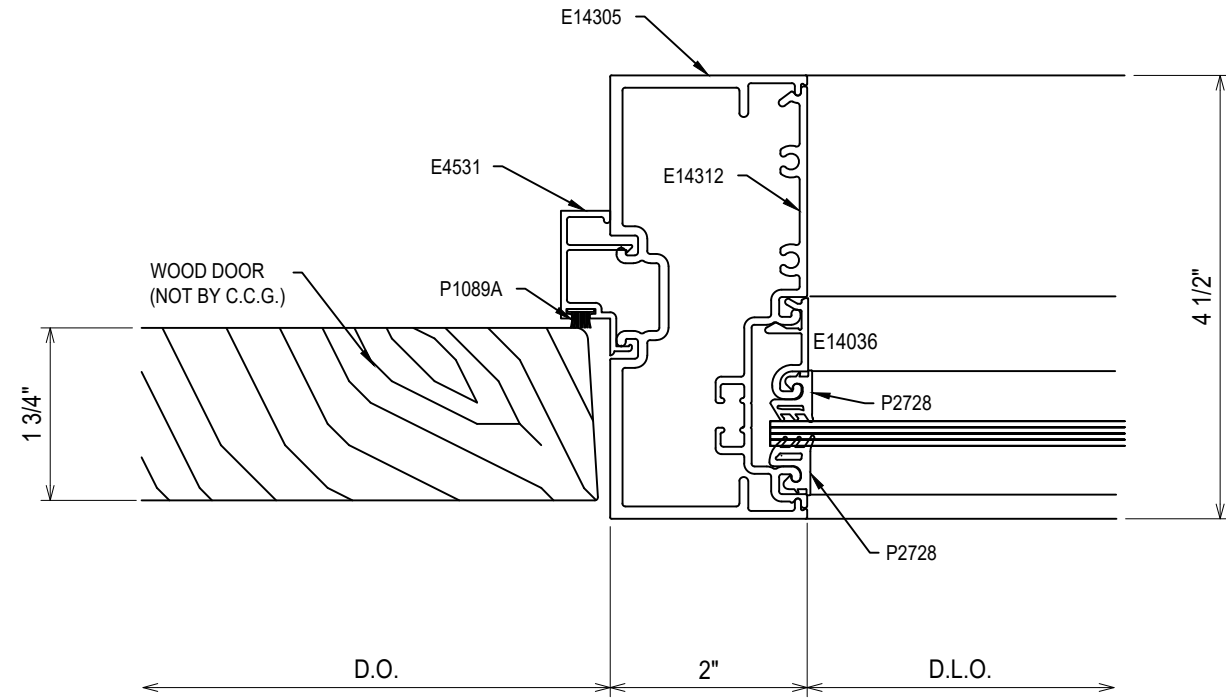
PROJECT:	NORTH STATE BANK
LOCATION:	2413 BLUE RIDGE RD. RALEIGH, NC 27607

DRAWN BY:	CW	DATE:	03.21.22
CHECKED BY:	BT	DATE:	03.21.22
JOB NO.:			

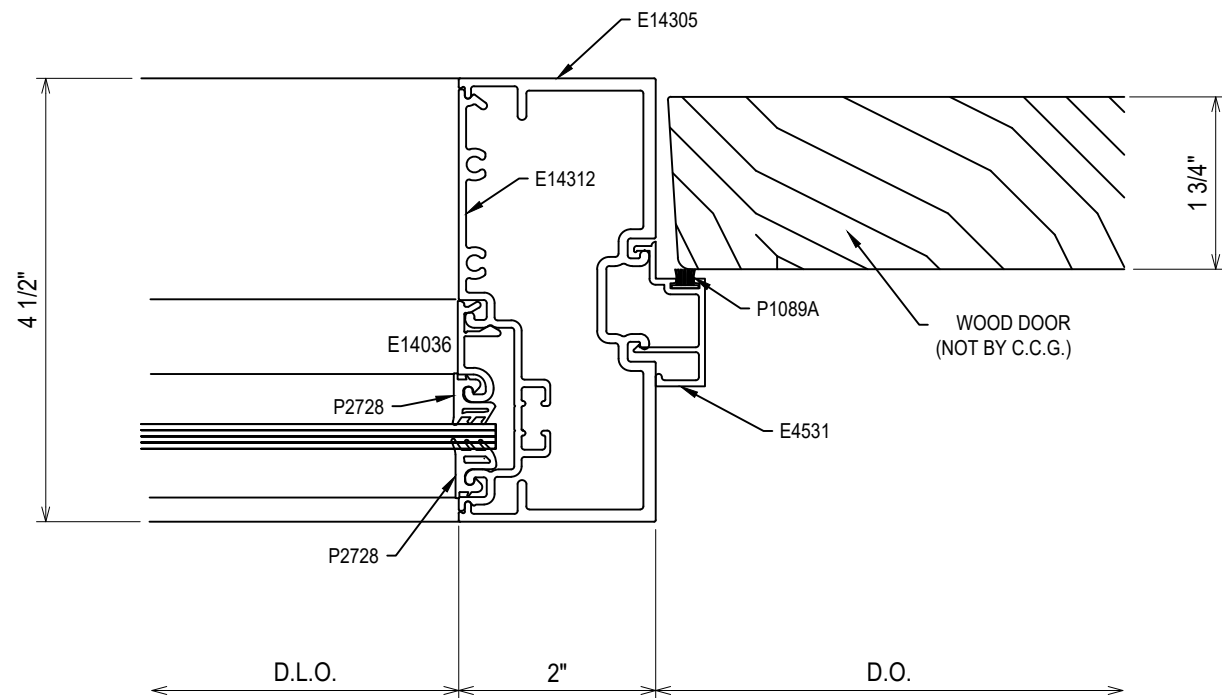
3.56



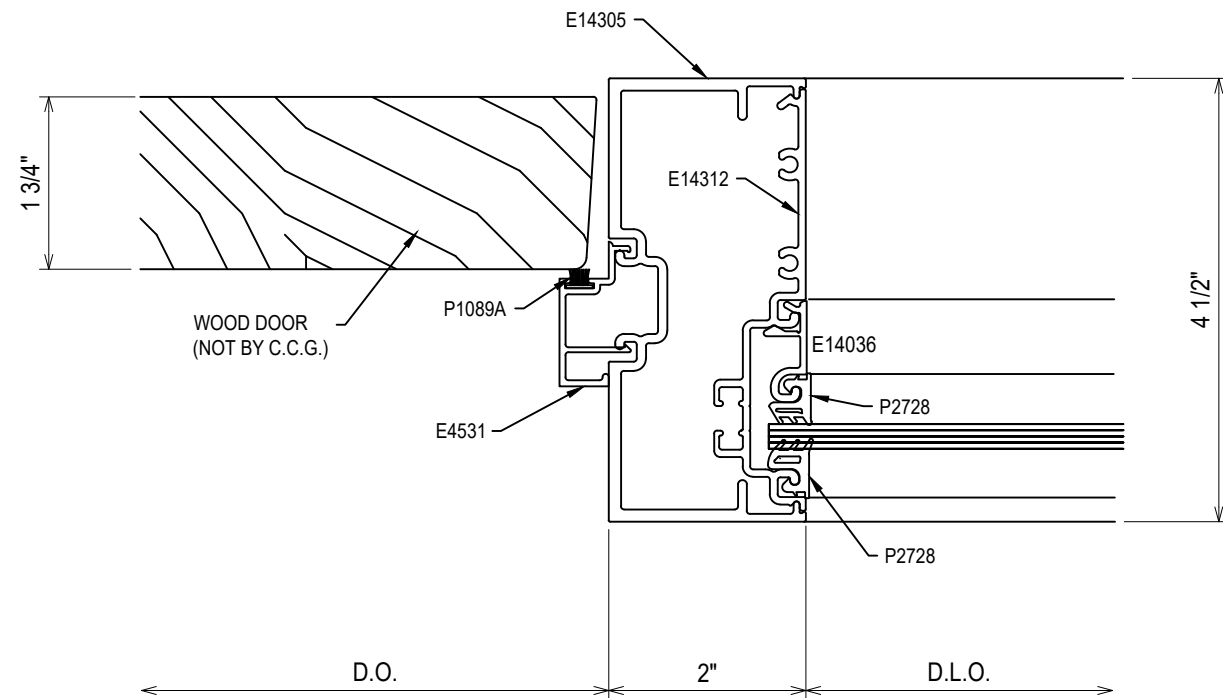
95  
3.57  
REF: N/A  
SF1 - SF3



96  
3.57  
REF: N/A  
SF1 - SF3



97  
3.57  
REF: N/A  
SF2



98  
3.57  
REF: N/A  
SF2

NO	DESCRIPTION	DATE
1ST REVISION		05.13.22
1ST SUBMISSION		03.21.22

CLAYTON COMMERCIAL GLAZING  
3210 US HIGHWAY 70W  
SMITHFIELD, NC 27577  
P: 919.550.4024

PROJECT:	NORTH STATE BANK
LOCATION:	2413 BLUE RIDGE RD. RALEIGH, NC 27607

DRAWN BY:	CW	DATE:	03.21.22
CHECKED BY:	BT	DATE:	03.21.22

JOB NO.:  
3.57



BOTTOM J-MOLD TRACK

M.S.

1/4" MIRROR

99  
3.58  
REF: N/A  
MIR1

M.S.

1/4" MIRROR

100  
3.58  
REF: N/A  
MIR1

BOTTOM J-MOLD TRACK

BOTTOM J-MOLD TRACK

M.S.

1/4" MIRROR

101  
3.58  
REF: N/A  
MIR2

M.S.

1/4" MIRROR

102  
3.58  
REF: N/A  
MIR2

BOTTOM J-MOLD TRACK

BACK SPLASH  
(N.B.C.C.G.)

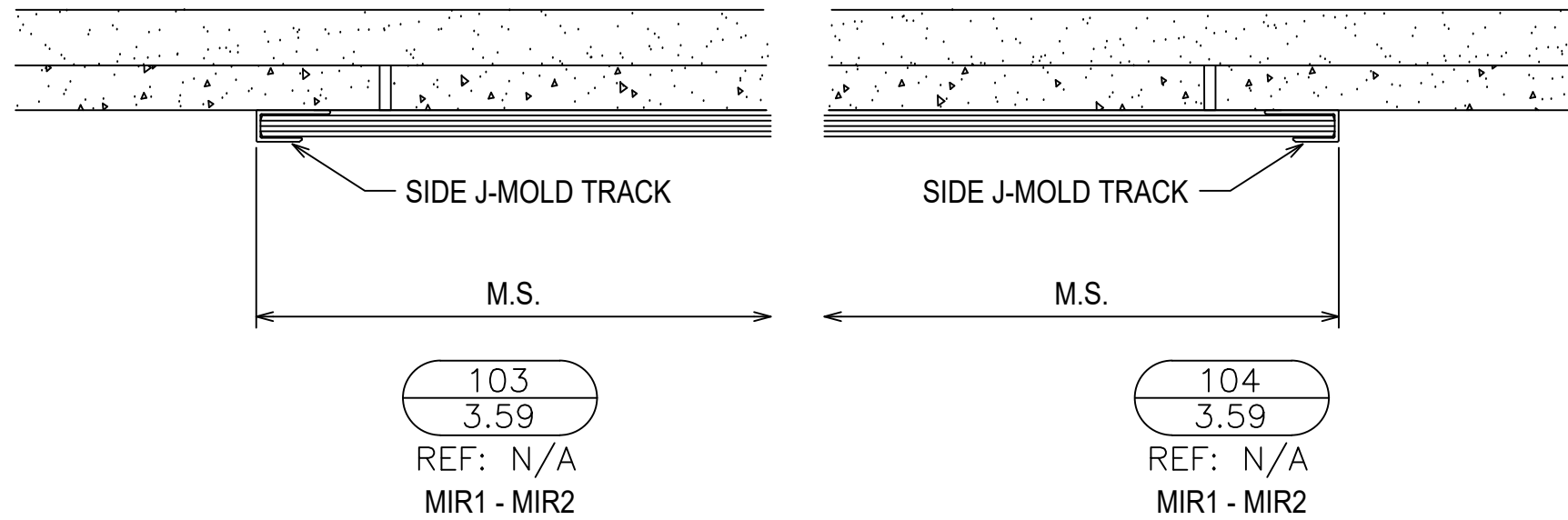
NO	DESCRIPTION	DATE
101	1ST SUBMISSION	03.21.22
102	1ST REVISION	05.13.22

CLAYTON COMMERCIAL GLAZING  
 3210 US HIGHWAY 70W  
 SMITHFIELD, NC 27577  
 P: 919.550.4024

PROJECT:	NORTH STATE BANK
LOCATION:	2413 BLUE RIDGE RD. RALEIGH, NC 27607

DRAWN BY:	DATE:
CW	03.21.22
CHECKED BY:	DATE:
BT	03.21.22

JOB NO.:  
3.58



NO	DESCRIPTION	DATE
1	1ST REVISION	05.13.22
2	1ST SUBMISSION	03.21.22

CLAYTON COMMERCIAL GLAZING  
 3210 US HIGHWAY 70W  
 SMITHFIELD, NC 27577  
 P: 919.550.4024

PROJECT:	NORTH STATE BANK
LOCATION:	2413 BLUE RIDGE RD. RALEIGH, NC 27607

DRAWN BY:	CW	DATE:	03.21.22
CHECKED BY:	BT	DATE:	03.21.22

JOB NO.:  
 3.59