

## Super Complete with Table

Canadian Suggested Retail Price List in USD  
Jan-18

Phone: 260-665-2769  
Fax: 260-665-3047  
Email: iim@mobility-usa.com  
www.mobility-usa.com

Quote: \_\_\_\_\_

P.O. \_\_\_\_\_

### Bill To

Dealer: \_\_\_\_\_ Contact: \_\_\_\_\_

Address: \_\_\_\_\_

City: \_\_\_\_\_ State: \_\_\_\_\_ Zip: \_\_\_\_\_

Phone: \_\_\_\_\_ Fax: \_\_\_\_\_

Email: \_\_\_\_\_ Mark For: \_\_\_\_\_

### Ship To

Same as Bill To \_\_\_\_\_

Dealer: \_\_\_\_\_ Contact: \_\_\_\_\_

Address: \_\_\_\_\_

City: \_\_\_\_\_ State: \_\_\_\_\_ Zip: \_\_\_\_\_

Phone: \_\_\_\_\_ Fax: \_\_\_\_\_

Email: \_\_\_\_\_ Mark For: \_\_\_\_\_

### Grillo Features and Specifications Grillo Mini 0

- **Quick Adjustment** - Grillo adjusts easily and tool-free for user growth, transportation, or multiple patient use.
- **Easy Transport** - In just one motion, Grillo folds into a small compact unit easy to transport. No tools required.
- **Exclusively-Designed Wheels** - Grillo wheels come standard with anti-rollback, independently adjustable tension drag, and brakes. The wheels are suitable for indoor and outdoor use.
- **Chest & Pelvic Supports** - Padded and adjustable in angle, height, inclination, and circumference. The chest and pelvic supports work independently.
- **Ergonomic Harness** - The harness supports the user if necessary without generating pressure and is breathable, adjustable, and removable.
- **Measurement Bars** - allow for quick, easy, and accurate adjustment.
- **Grillo** - has the widest range of height adjustment on the market.



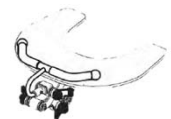
### Super Complete Options - Grillo Mini 0

Part Number	Description	Price (USD)
<b>Anterior SC</b> - includes frame, pelvic support, ergonomic harness, table, handle, directional locks		
_____ GRA-OSC	<b>Super Complete Grillo Mini 0</b>	\$3,525.00



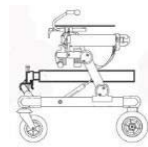
### Handle Bars only one can be used at a time select one

Part Number	Description	Price (USD)
_____ GR936-0	<b>Handle Bar</b>	N/C
_____ GR937-0	<b>Handles</b>	\$135.00



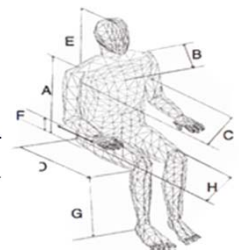
**Accessories**

Part Number	Description	Price (USD)
_____ GR890-0	<b>Padded Leg Divider</b>	\$350.00
_____ GR929-0	<b>Pedal Parking Brake</b>	\$275.00
_____ GR923	<b>Assistant Push Handle</b>	\$290.00



**Client Measurements**

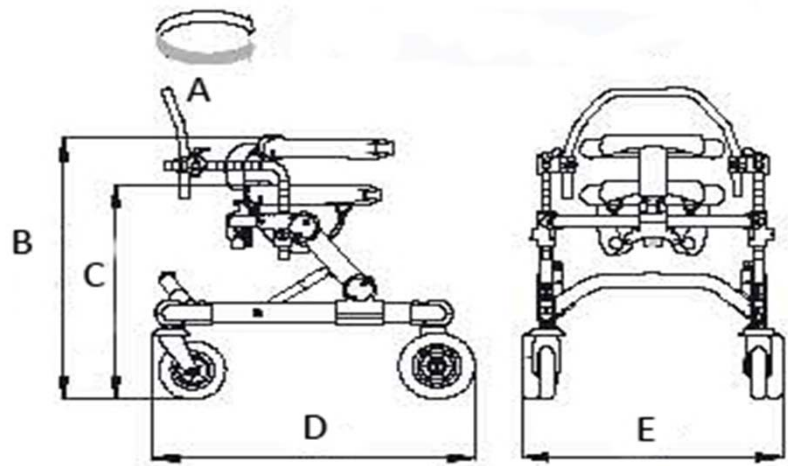
A Back height: \_\_\_\_\_ F Lower leg length: \_\_\_\_\_  
 B Chest depth: \_\_\_\_\_ G Head height: \_\_\_\_\_  
 C Chest width: \_\_\_\_\_ H Arm height: \_\_\_\_\_  
 D Seat depth: \_\_\_\_\_ Age: \_\_\_\_\_  
 E Seat width: \_\_\_\_\_ Weight: \_\_\_\_\_



**Dimensions**

**Measurements in Inches**

Grillo	Mini
Max Capacity	77 lbs
User Height	29 - 39
Unit Weight	28 lbs
<b>A</b>	21 - 31
<b>B</b>	20 - 29.5
<b>C</b>	16.5 - 24
<b>D</b>	29
<b>E</b>	22.5



Note: All specification and prices are subject to change without notice. Prices listed are only valid if ordering with a gait trainer. The HCPCS codes provided are not intended to be billing or legal advice, rather Innovation In Motion's interpretation of the code definitions. Use of the codes provided does not ensure coverage or payment for the item. For coverage information, verify the policy of the appropriate payer. It is recommended to contact Innovation In Motion with any questions regarding proper ordering of the chair at 1-260-665-2769.