

Glass Door Back Bar Bottle Coolers

(side mount compressor)



BB-2D-60-G-HC



BB-2D-70-G-HC

Model	Size
BB-2D-60-G-HC	Two Door, 4.56 Cu-Ft
BB-2D-70-G-HC	Two Door, 7.12 Cu-Ft
BB-3D-90-G-HC	Three Door, 11.31 Cu-Ft

STANDARD FEATURES

- Bright LED lighting standard on all back bar coolers
- CFC free refrigerant and foam with self-contained capillary tube system
- Electronic thermostat and digital LED temperature display for accurate control and easy reading
- Auto-defrosting
- 2-piece adjustable shelves
- Self-closing door
- Four casters- two front locking
- Magnetic gasket can be replaced without a tool
- Warranty: 2 years parts and labor
additional 3 years- compressor

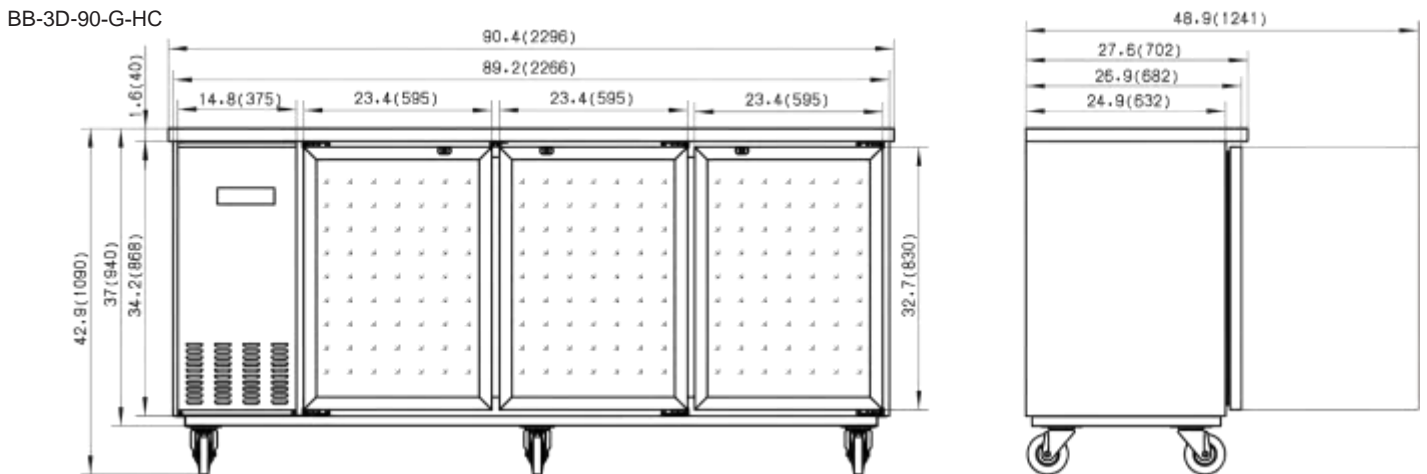
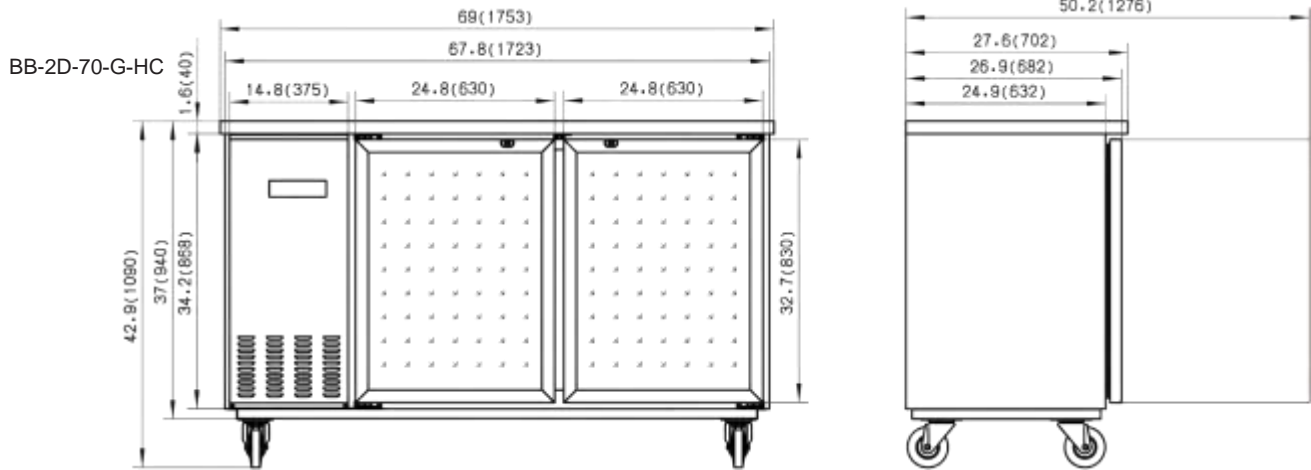
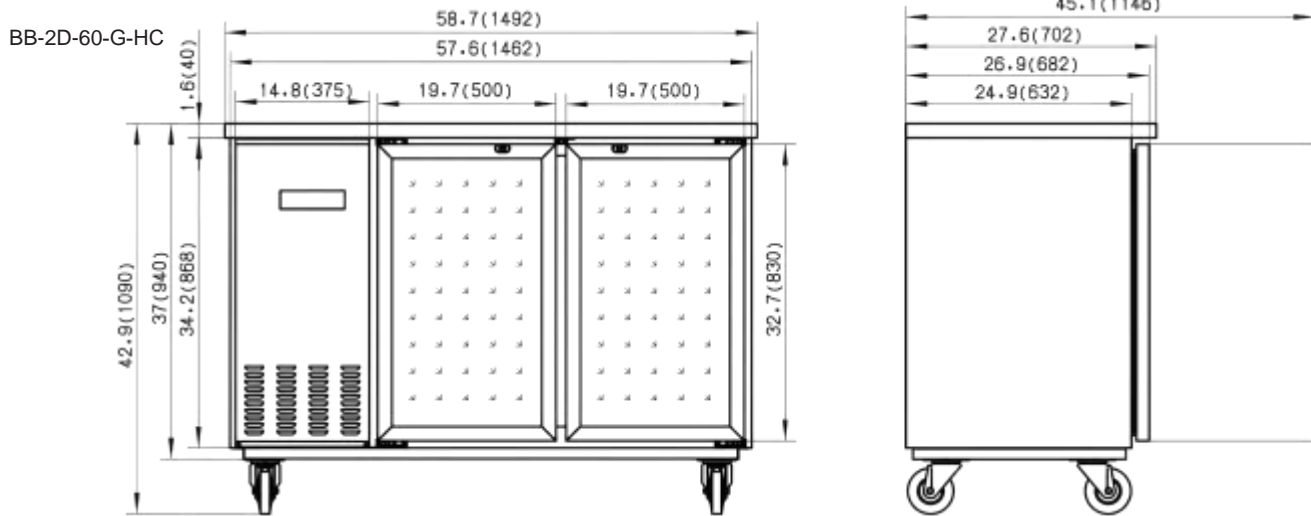
BOTTLE COOLERS

***Not suitable for installation in a non-commercial or residential applications.**

Items	Description	Items	Description
External top/side	430 stainless steel	Temperature control	Solid State T-stat with Digital Display
Door	Glass	Comply to standard	ANSI / NSF-7
External back	Painted black	Refrigerating system	Capillary tube
Cabinet internal	Stainless steel	Refrigerant	R290
Internal floor	Stainless steel	Temp. Range in box	33°F — 38°F
Insulation	Polyurethane (CFC free)	Evaporator/Condenser	Aluminum + Copper
Lighting	LED	Condensing unit	Side Mount
		Doors	Glass Doors



DETAILS AND DIMENSIONS



Model	# of Doors	Storage CAP (Cu-ft)	Shelves	Cabinet Dim (in)			HP	Voltage /Hz /ph	Amp	NEMA Plug	Cord Lgth (ft)	Crated Weight (lbs)
				W	D	H						
BB-2D-60G-HC	1	4.56	2	23.62	21.06	34.25	2/5	115/60/1	3.0	5-15P	8.2	150
BB-2D-70-G-HC	2	7.12	4	35.43	21.06	34.25	2/5	115/60/1	3.0	5-15P	8.2	203
BB-3D-90-G-HC	3	11.31	6	53.15	21.06	34.25	3/7	115/60/1	3.0	5-15P	8.2	269