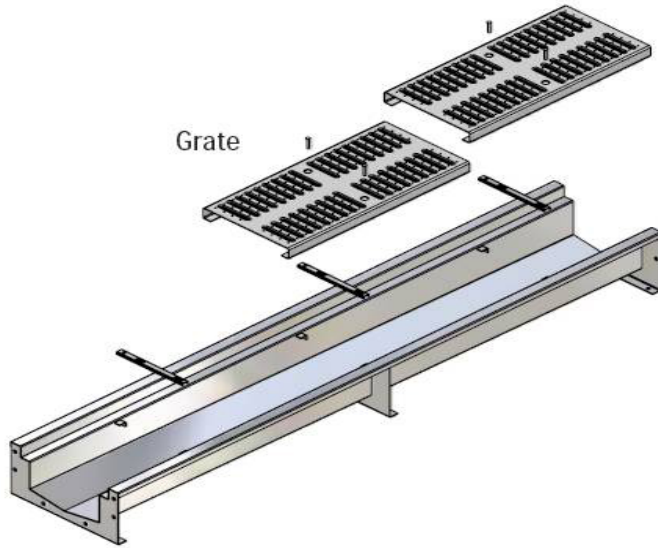


WICKETTS STAINLESS SPECIFICATION

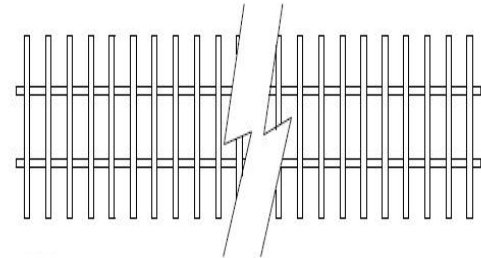
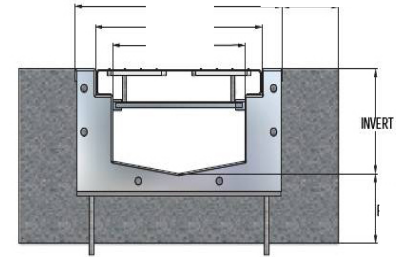
Stainless Steel Trench Drain
System MT-08-SS-SBG



Closed End Cap
supplied with outlet attached.

End Outlet
(4" NO HUB)
supplied with outlet attached.

Bottom Outlet
(4" NO HUB)
supplied with outlet attached.



SBG (Stainless Steel Bar Grate)

Engineering Specification: 8" Wide 14 Ga. 304 Stainless Steel Trench Drain System; Fully Welded End Caps And Outlets; Heavy Duty Stainless Bar Grate; 1/4" Per Foot Slopping Channels
* Conforms to ASME A112.6.3

Wicketts Stainless, LLC.
2618 San Miguel Dr. Bldg. # 376
Newport Beach, CA 92660
Tel: 951-858-2548
Fax: 951-638-9059
sales@wickettsstainless.com
www.wickettsstainless.com



Approved for Manufacturing

Company: _____

Signature: _____

Print: _____