



# EF THERMA-FUSER™ VAV DIFFUSER

## SUBMITTAL

**MODEL**

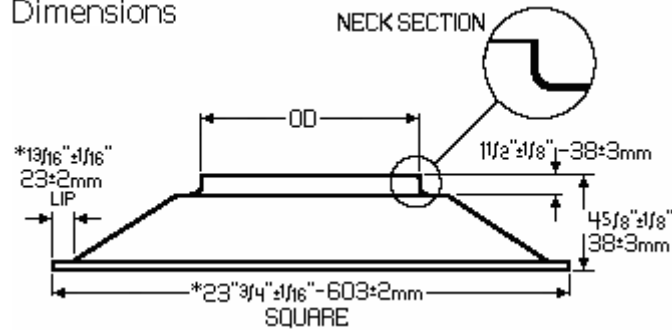
- EF** DDC Interoperable 2' x 2' (600mm) Square VAV Diffuser w/ Blade Damper



**Inlet Designation**

|                              | OD           |         |
|------------------------------|--------------|---------|
|                              | INCHES       | mm      |
|                              | $\pm 1/16$   | $\pm 3$ |
| <input type="checkbox"/> -6  | $5^{15}/16$  | 150     |
| <input type="checkbox"/> -8  | $7^{15}/16$  | 200     |
| <input type="checkbox"/> -10 | $9^{15}/16$  | 250     |
| <input type="checkbox"/> -12 | $11^{15}/16$ | 300     |

**Dimensions**



- 595MM \*595±2mm Square with 16±2mm Lip available

**Communication Protocol**

- BACnet™ Protocol – BTL Listed
- LonWork® Protocol – LonMark® Compliance

**Inputs**

- Temperature Setpoints by Occupancy Mode
- Minimum Air Flow
- Minimum Air Flow Standby
- Maximum Air Flow
- Manual Override
- Occupancy/Application Mode
- VAV Heating/Cooling or VAV Cooling Only (additional inputs available)

**Outputs**

- Space Temperature
- Airflow Rate
- Unit Status
- Effective Setpoint
- Terminal Load (additional outputs available)

**Motor**

- Thermal/Electric Motor
- DC Stepper Motor

**Options**

- I Insulation
- S Silk Screened Appearance Panel
- H Security Hangers

# EF THERMA-FUSER™ VAV DIFFUSER

## SUBMITTAL

**EF** (continued)

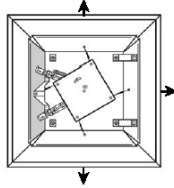
---

### Options

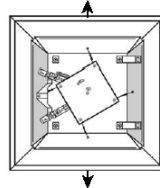
---

#### Blow Patterns – Directional Baffles

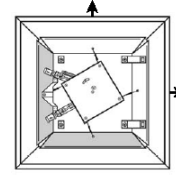
-D3  
Three Way  
Blow



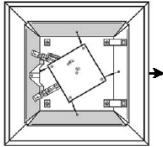
-D2  
Two Way  
Blow



-D2C  
Two Way  
Corner



-D1  
One Way  
Blow




---

### Accessories

---

#### Ceiling Frames

- AC-TFHD Frame, hard plaster ceilings
  - AC-TF4DP Frame, 4in drop box
  - AC-TF1DP Frame, 1<sup>7</sup>/<sub>8</sub>in drop box
  - AC-TFSP Frame, spline ceiling
  - AC-TFT1 Frame, T1 for Tegular ceiling (<sup>9</sup>/<sub>16</sub>in T-Bar) (requires diffuser housing shear)
  - AC-TFT2 Frame, T2 for Tegular ceiling (1in T-Bar) (requires diffuser housing shear)
  - AC-TFAL Frame, air lifter for exposed duct ceilings
  - AC-TFMSG Frame, for minimum security ceilings
-