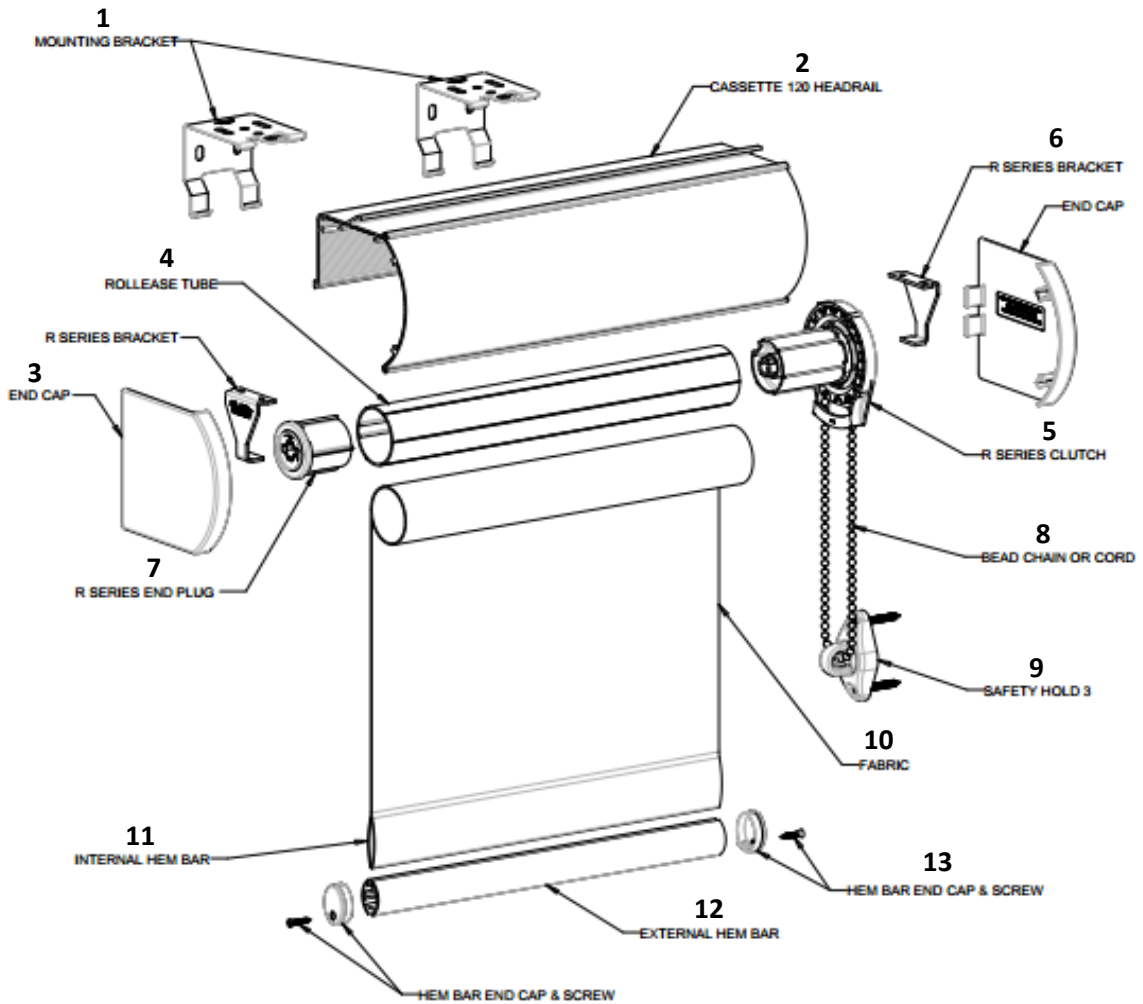


R-Series Cassette 120 System Diagram



1	Mounting Brackets
2	Cassette 120 Headrail
3	End Cap
4	RollEase Tube
5	R-Series Clutch
6	R-Series Bracket
7	R-Series End Plug (Idler)
8	Bead Chain or Cord
9	SafetyHold 3
10	Fabric
11	Internal Hem Bar
12	External Hem Bar
13	Hem Bar End Cap & Screw

Maximum Roll Diameter is 2-7/8"

Cassette 120 Headrail is
3.88" Tall x 4.43" Wide

Note: Use either Internal OR External Hem Bar with End Cap & Screws

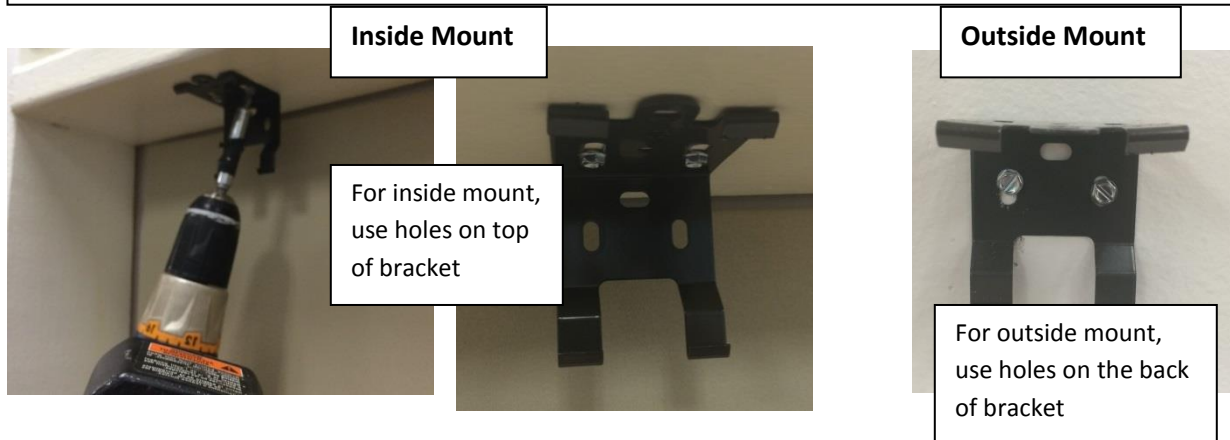
Skyline & R-Series – Inside & Outside Mount Cassette 120 Installation

Step 1: Carefully remove shade from the box and package wrapping.

TIP: Installation is the same in both Skyline and R-Series applications. However, deduction data will vary.

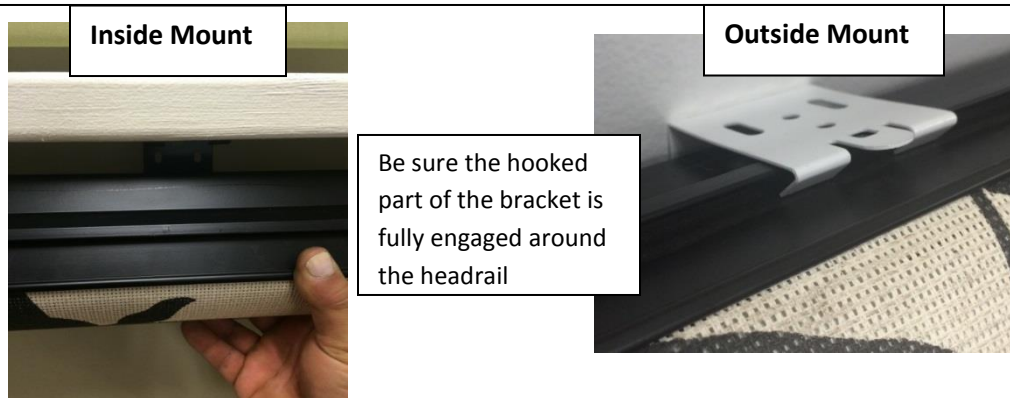
Step 2: Install Mounting Brackets using correct screws.

2a. Mounting Brackets should be placed approximately every 18"



Step 3: Install Headrail

3a. Snap Headrail into place by sliding groove in headrail into the mounting bracket and snapping upwards to lock headrail in place



Step 4: Install Tension Device

4a. See instructions for Safety Hold3

**Skyline & R-Series – Inside & Outside Mount
Cassette 120 Installation**

**Installed Shade
Inside Mount**



**Installed Shade
Outside Mount**

