



# POLYURETHANE MACHINERY CORPORATION



## ***GHO*** **SERVICE & PARTS MANUAL**

**High Output  
2:1  
Transfer Pump**

**#MN-04010**

**Issue 2.2 07/22/2011**

Polyurethane Machinery Corp.

Headquarters: 1 Gusmer Drive, Lakewood NJ 08701

Manufacturing: 2 Gusmer Drive, Lakewood, NJ 08701

Phone: 732-415-4400 Fax: 732-364-4025

<http://www.polymac-usa.com>



Before starting or carrying out maintenance work on the GHO series high output transfer pump, please carefully read all the technical and safety documentation included in the Service & Parts Manual. It is important to pay attention to the information contained to see and understand the handling and conditions of use of the pump. This information is aimed at USER SAFETY and Proper Operation.



# **GHO** Service & Parts Manual

## **CONTENTS**

Warranty .....	3
Safety and Handling .....	5
Technical Specifications .....	7
Optional Equipment .....	8
Initial Machine Set-Up.....	9
Installation.....	10
Operation .....	12
Maintenance .....	12
Disassembly.....	13
Parts Identification .....	16

## **LIST OF FIGURES**

Figure 1	GHO Transfer Pump Size Shown .....	7
Figure 2	Transfer Pump Air Hose Assembly .....	8
Figure 3	Bung Adaptor .....	8
Figure 4	Material Supply Hose .....	8
Figure 5	Swivel Unions.....	8
Figure 6	Typical Installation for Classic Hydraulic Proportioner.....	9
Figure 7	Installing Transfer Pump .....	10
Figure 8	Installing Air Needle Valve and Quick Disconnect .....	10
Figure 9	Installing Outlet Fitting.....	10
Figure 10	Installing Air Line .....	10
Figure 11	Installing Ground Wire.....	11
Figure 12	Pinch Points .....	12
Figure 13	Mounting in Vice.....	13
Figure 14	Foot Valve .....	13
Figure 15	Bleed Air Valve.....	13
Figure 16	Strap Location .....	14
Figure 17	5/16" Diameter Pins .....	14
Figure 18	Dowel Pin .....	14
Figure 19	Removing Piston .....	14
Figure 20	Packings.....	14
Figure 21	GHO Transfer Pump Assembly, Exploded View.....	15
Figure 22	Air Motor Assembly (Part No. PU-04000-01), Exploded View.....	18

## **LIST OF TABLES**

Table 1	GHO Transfer Pump Assembly, Parts .....	16
Table 2	Air Motor Assembly, (Part No. PU-04000-01), Parts .....	18



# **GHO** Service & Parts Manual

## **WARRANTY**

Polyurethane Machinery Corporation (hereinafter “PMC”) provides this **LIMITED WARRANTY** (hereinafter “Warranty”) to the original purchaser (hereinafter “Customer”) covering this equipment and the original PMC manufactured accessories delivered with the equipment (hereinafter “Product”) against defects in material or workmanship of the Product (hereinafter “Defect” or “Defective”) for a period of one (1) year from the date of first purchase as shown on the original PMC invoice (hereinafter “Warranty Period”).

If during the Warranty Period under normal use, the Product is suspected by Customer to be Defective in material or workmanship, it is Customer’s responsibility to contact PMC and return the Product to PMC as directed by PMC, freight prepaid. If PMC determines that the Product is Defective and that such Defect is covered by this Warranty, PMC will credit Customer for the reasonable freight charges incurred by Customer in returning the Defective Product to PMC, and PMC (or its authorized agent) will, at PMC’s option, repair or replace the Product, subject to the following:

Original Invoice: The original invoice must be kept as proof of the date of first sale and the Product serial number. The Warranty does not cover any Product if the Original Invoice appears to have been modified or altered, or when the serial number on the Product appears to have been altered or defaced.

Product Maintenance: It is the Customer’s responsibility to maintain the Product properly. See your maintenance schedule and owner’s manual for details. The Warranty does not cover an improperly maintained Product.

Non-PMC Components and Accessories: Non-PMC manufactured components and accessories that are used in the operation of the Product are not covered by this Warranty. Such components and accessories shall be subject to the warranty offered to the Customer, if any, by the original manufacturer of such component or accessory.

Other Warranty Exclusions: The Warranty does not cover any Product that PMC determines has been damaged or fails to operate properly due to misuse, negligence, abuse, carelessness, neglect, or accident. By way of example only, this includes:

- Normal wear and tear.
- Improper or unauthorized installation, repair, alteration, adjustment or modification of the Product.
- Use of heating devices, pumping equipment, dispensers, or other parts or accessories with the Product that have not been approved or manufactured by PMC.
- Failure to follow the operating instructions and recommendations provided by PMC.
- Cosmetic damage.
- Fire, flood, “acts of God,” or other contingencies beyond the control of PMC.



# **GHO** Service & Parts Manual

## **WARRANTY (cont'd)**

**THE WARRANTY DESCRIBED HEREIN IS THE EXCLUSIVE REMEDY FOR THE CUSTOMER AND IS IN LIEU OF ALL OTHER WARRANTIES, EXPRESS, IMPLIED, STATUTORY OR OTHERWISE, AND THE IMPLIED WARRANTIES OF MERCHANTABILITY AND FITNESS FOR A PARTICULAR PURPOSE AND ALL OTHER WARRANTIES ARE HEREBY DISCLAIMED. TO THE FULLEST EXTENT PERMITTED BY LAW, PMC SHALL NOT BE RESPONSIBLE, WHETHER BASED IN CONTRACT, TORT (INCLUDING, WITHOUT LIMITATION, NEGLIGENCE), WARRANTY OR ANY OTHER LEGAL OR EQUITABLE GROUNDS, FOR ANY CONSEQUENTIAL, INDIRECT, INCIDENTAL, LOST PROFITS, SPECIAL, PUNITIVE OR EXEMPLARY DAMAGES, WHETHER TO PERSON OR PROPERTY, ARISING FROM OR RELATING TO THE PRODUCT, EVEN IF PMC HAS BEEN ADVISED OF THE POSSIBILITY OF SUCH LOSSES OR DAMAGES.**

Non-Warranty Service by PMC: If PMC determines that the suspected Defect of the Product is not covered by this Warranty, disposition of the Product will be made pursuant to the terms and conditions of PMC's written estimate on a time and materials basis.

Continuing Warranty for Products Repaired or Replaced under Warranty: Following the repair or replacement of a Product covered by this Warranty, such Product will continue to be subject to the original Warranty for the remainder of original Warranty Period or for three (3) months from the repair or replacement date, whichever is longer.

No Rights Implied: Nothing in the sale, lease or rental of any Product by PMC shall be construed to grant any right, interest or license in or under any patent, trademark, copyright, trade secret or other proprietary right or material owned by anyone; nor does PMC encourage the infringement of same.

Exclusive Warranty: This writing is the final, complete, and exclusive expression of the Warranty covering the Product. Any statements made by PMC, its employees or agents that differ from the terms of this Warranty shall have no effect. It is expressly understood that Customer's acceptance of this Warranty, by performance or otherwise, is upon and subject solely to the terms and conditions hereof, and any additional or different terms and conditions proposed or expressed by Customer or anyone, whether in writing or otherwise, are null and void unless specifically agreed to in writing by an Officer of PMC.



# ***GHO*** Service & Parts Manual

## **SAFETY AND HANDLING**

This chapter contains important information on the safety, handling and use of your ***GHO*** series high output transfer pump.



Before installing the GHO pump and starting it up, carefully read all the technical and safety documentation included in this manual. Pay special attention to the information to know and understand the operation and the conditions of use of the unit. All of the information is aimed at enhancing User Safety and avoiding possible breakdowns derived from the incorrect use of the pump.

***WARNING!*** Presents information to alert of a situation that might cause serious injuries if the instructions are not followed.

***CAUTION!*** Presents information that indicates how to avoid damage to the Proportioner or how to avoid a situation that could cause minor injuries.

***NOTE!*** Is relevant information of a procedure being carried out.

Careful study of this manual will enable the operator to know the characteristics of the pump and the operating procedures. By following the instructions and recommendations contained herein, you will reduce the potential risk of accidents in the installation, use or maintenance of the GHO pump; you will provide a better opportunity for incident-free operation for a longer time, greater output and the possibility of detecting and resolving problems fast and simply. Keep this Service Manual for future consultation of useful information at all times. If you lose this manual, ask for a new copy from your PMC Service Center, directly contact Polyurethane Machinery Corporation or on line at our web site ([www.polymac-usa.com](http://www.polymac-usa.com)).



# ***GHO* Service & Parts Manual**

## **IMPORTANT SAFETY INFORMATION**

The GHO 2:1 pump has been designed and built for the application of polyurea chemical systems, polyurethane foam chemical systems and some two-component epoxy systems. Always use liquids and solvents that are compatible with the unit. In the event of doubt, consult PMC technical service.



To prevent possibly injury caused by incorrect handling of the raw materials and solvents used in the process, carefully read the safety data sheet provided by your supplier.

Deal with the waste caused according to current regulations.



To avoid damage caused by the impact of pressurized fluids, do not open any connection or perform maintenance work on components subject to pressure until the pressure has been completely eliminated.



Use suitable protection when operating, maintaining or being present in the area where the equipment is functioning. This includes, but is not limited to, the use of protective goggles, gloves, shoes and safety clothing and breathing equipment.

To prevent serious injury through crushing or amputation, do not work with the equipment without the safety guards installed on the moving parts. Make sure that all the safety guards are completely reinstalled at the end of the repair or maintenance work of the equipment.



# GHO Service & Parts Manual

## TECHNICAL SPECIFICATIONS

Pressure Ratio:	2.2:1
Output (Cont. duty):	5.5 gpm (20.8 liters)
Output (Int. Duty)	11 gpm (41.6 liters)
Cycles per Gallon	18.5
Cycles per liter	4.88
Stroke	4 inch (10.2 cm)
Air Pressure:	180 psi (0.12 Mpa)
Air Inlet:	¼ NPT (F)
Fluid Output:	¾ NPT (F)
Air Consumption	2.0 cfm per gallon – pumped @ 100 psi 124.67 cc/sec per liter pumped @ 689 kpa
Weight	25 lbs/11.4 kg

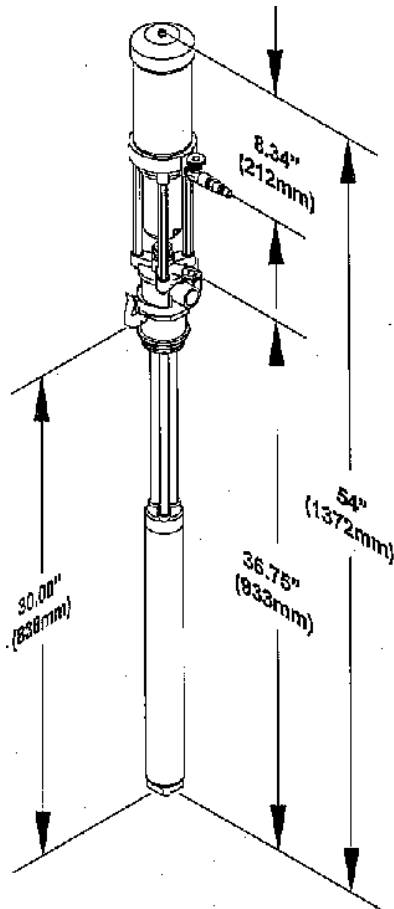
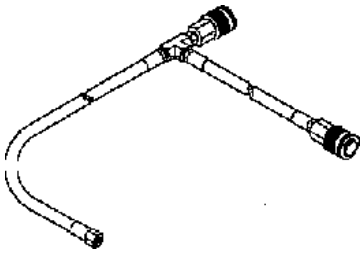


Figure 1  
GHO Transfer Pump

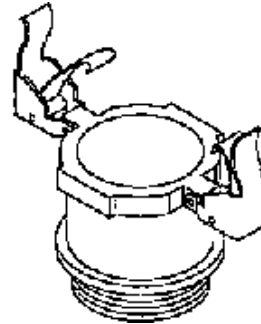


# GHO Service & Parts Manual

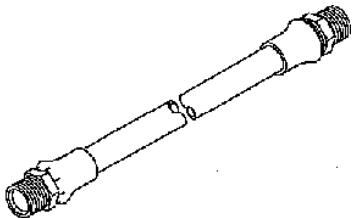
## OPTIONAL EQUIPMENT



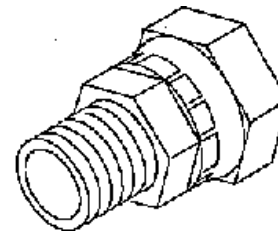
**Figure 2: Transfer Pump Air Hose Assembly**  
MA-00035A



**Figure 3: Bung Adaptor**  
PU-04000-33



**Figure 4: Material Supply Hose**  
MA-00026A 3/4 x 10' A Supply Hose (1/2 NPT)  
MA-00026 3/4 x 10' B Supply Hose (3/4 NPT)



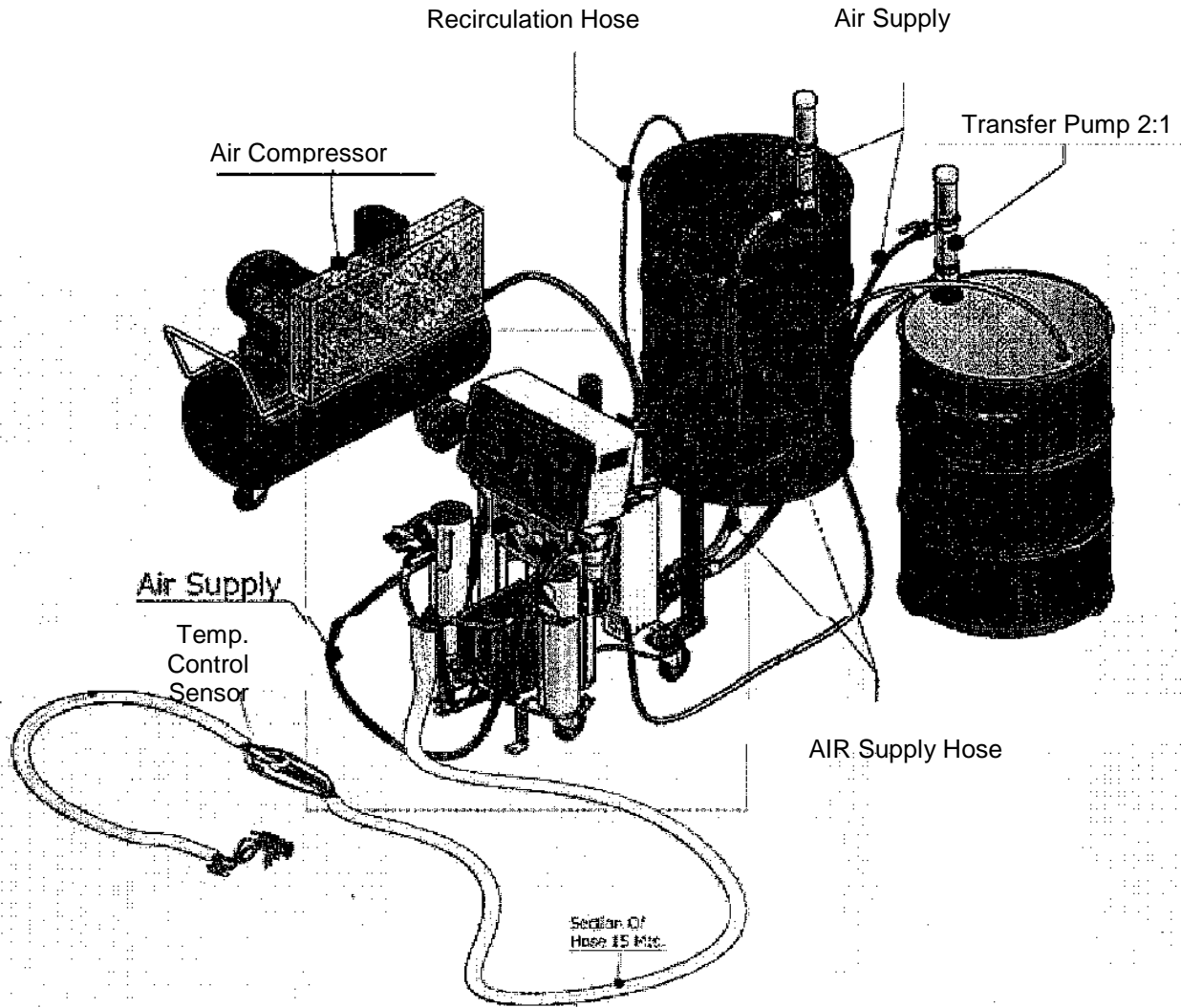
**Figure 5: Swivel Unions**  
PU-179-5 3/4 NPT x 1/2 NPT (F)  
PU-179-6 3/4 NPT x 3/4 NPT (F)





# GHO Service & Parts Manual

## INITIAL MACHINE SET-UP



**Figure 6: Typical Installation for Classic Hydraulic Proportioner**

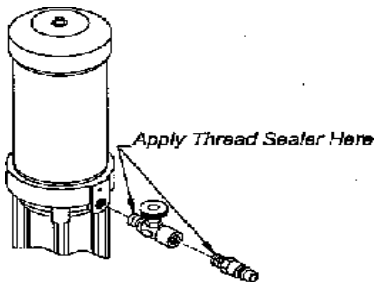


# GHO Service & Parts Manual

## **INSTALLATION**

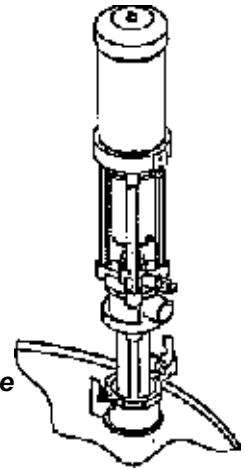
On custom installations, consult Figure 1 for any dimensions required.

1. Make sure the Gasket (part No. PU-04000-40) is in place on the threaded end of the adaptor and screw the Bung Adaptor tightly into the bunghole of the drum. With the second gasket in place, insert the Transfer Pump through the adaptor and lock it in place.



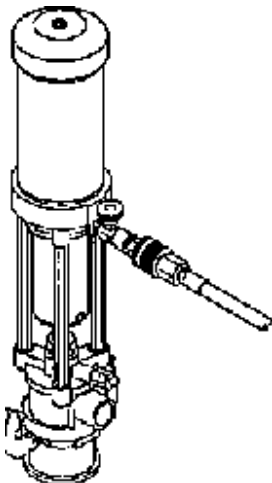
**Figure 8: Installing Air Needle Valve and Quick Disconnect**

**Figure 7: Installing the Transfer Pump**

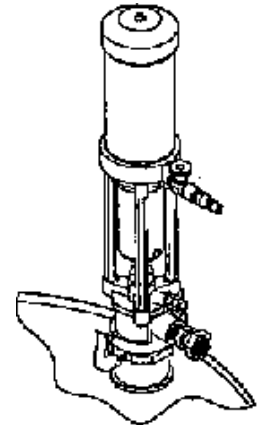


2. Use thread sealer on the male threads of the Air Needle Valve and Quick Disconnect Plug.

3. Use thread sealer on the male outlet fitting (not supplied as part of the pump assembly) and thread the fitting into the outlet port.



**Figure 10: Installing Air Line**



**Figure 9: Installing Outlet Fitting**

4. Install air lines as required. PMC recommends using a 3/8" ID or larger air line to deliver air to the transfer pump.



# GHO Service & Parts Manual



**WARNING!** Whenever you are using flammable materials, always connect a ground wire to the air motor. Consult the National Electrical Code, State and Local codes for additional information.

5. Connect ground wire to the Grounding Lug in accordance with National, State and Local Electrical Codes.

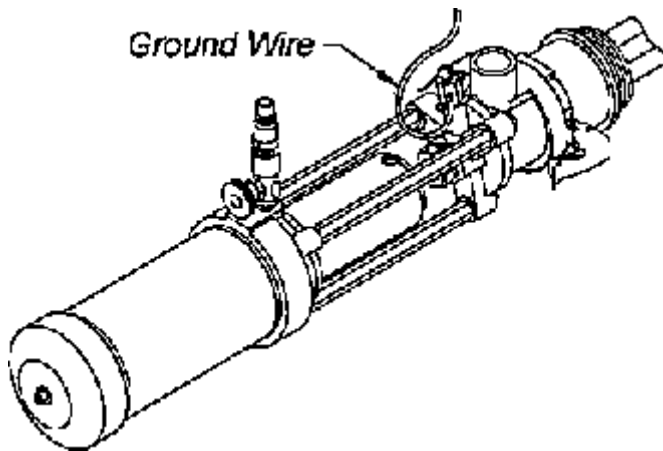


Figure 11: Installation of Ground Wire

The transfer pump installation is complete.

**CAUTION!** The transfer pump incorporates a wet tube to prevent build-up of chemical and dirt on the pump shaft, which would damage the packings as the shaft moves through them.



The wet tube must be full when storing a transfer pump outside the protected environment of a sealed drum without first thoroughly flushing and cleaning the pump. When installing a transfer pump into a partially filled drum where the liquid level is below the top of the set tube, manually fill the tube with the proper chemical prior to inserting the transfer pump into the drum. If a drum with a transfer pump installed tips over, insure that the wet tube is full after righting the drum.

The transfer pump pumps both resin and isocyanate. To reduce the possibility of inadvertently using the transfer pump with the wrong chemical, PMC recommends color coding the transfer pumps red for isocyanate and blue for resin.



# GHO Service & Parts Manual

## OPERATION

### Daily Startup Procedures

1. Determine that the air line valve is closed.
2. Connect the air line quick disconnect coupler to the transfer pump.
3. Turn on the main air supply.
4. Slowly open the air line valve until the transfer pump runs slowly. Use the air line valve to control the pump speed.

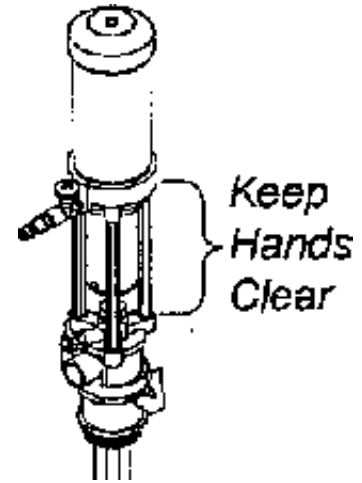


Figure 12: Pinch Points



***WARNING!*** Never allow the pump to run dry of pumping material. A dry pump will quickly accelerate to a high speed and possibly cause personal injury and/or damage to the pump. If the pump accelerates quickly or starts running too fast, stop it immediately and inspect. Do not attempt to operate the pump when it is not securely mounted in a drum. Keep hands clear of the area shown in Figure 16 at all times as personal injury may occur.

### Daily Shutdown Procedures

1. Disconnect the air line coupler.
2. After the air pressure has bled off, close the air line valve.

For extended period shutdown flush, disassemble and thoroughly clean the transfer pump before storing in a dry place.



## MAINTENANCE

***WARNING!*** To avoid personal injury, always disconnect the air coupler and relieve all air and hydraulic pressures before servicing the pump.

Before proceeding, note the following:

- All threads are hand tight.
- When using a repair kit to service the pump use all the parts provided in the kit regardless of the condition of the old ones. This will reduce the possibility of having to rebuild the pump sooner than normal.



# GHO Service & Parts Manual

## DISASSEMBLY

1. Place the transfer pump in a vice

### **CAUTION!**

Do not clamp the transfer pump tightly.

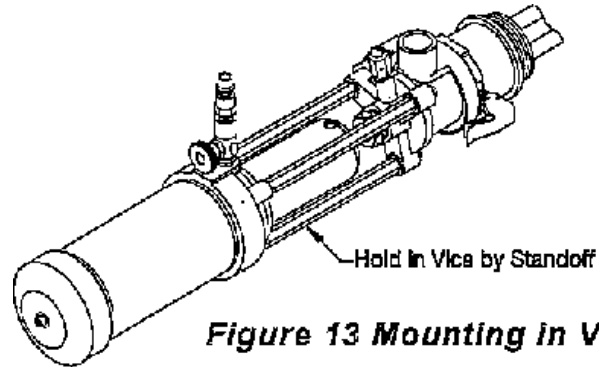
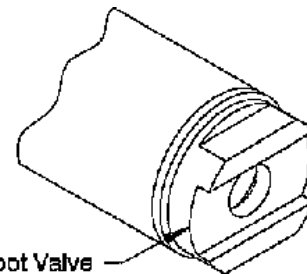


Figure 13 Mounting in Vice

**Note!** It might be necessary to place a strap wrench around the lower end of the suction tube when removing the foot valve.

2. Remove the foot valve housing using a 1-5/8" open-end wrench.

**Note!** Be sure to replace the bleed air plug when reassembling the cylinder. Failure to do so will prevent the transfer pump from operating.



Foot Valve  
Figure 14: Foot Valve

3. Remove the air bleed from the transfer pump air cap prior to disassembly of the air cylinder to bleed off any air pressure trapped in the cylinder.
  - a. Disconnect the air line to the transfer pump.
  - b. Open the air line valve.

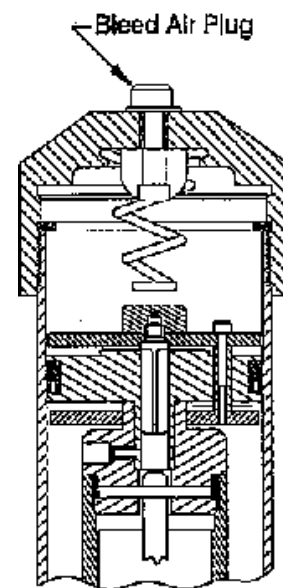


Figure 15: Bleed Air Valve

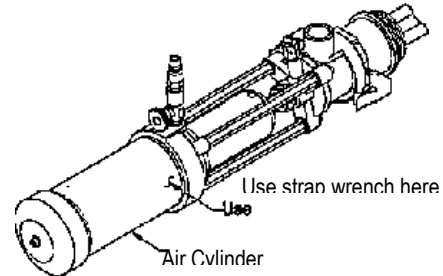


**WARNING!** The air cylinder contains pressurized air, which must be completely exhausted prior to disassembly. Failure to do so may cause serious injury to personnel and/or property damage.



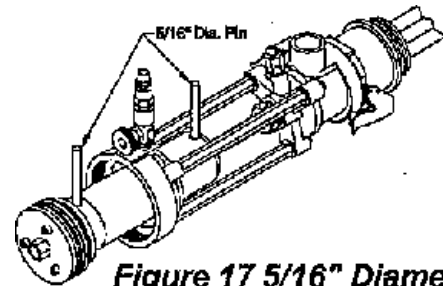
# GHO Service & Parts Manual

4. Place a strap wrench around the lower end of the air cylinder and unthread.



**Figure 16: Strap Location**

5. Use a 5/16-inch diameter pin to keep the piston rod plunger from rotating. Unthread the piston.

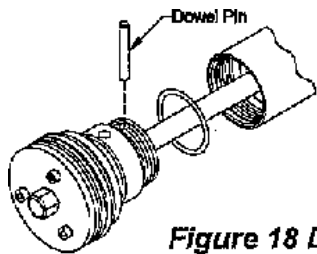


**Figure 17 5/16" Diameter Pins**

6. Remove the dowel pin.

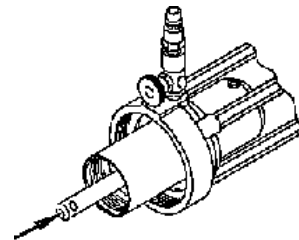
7. Push the piston out through the suction tube.

**Note!** When replacing the packings, pay careful attention to the packing orientation.



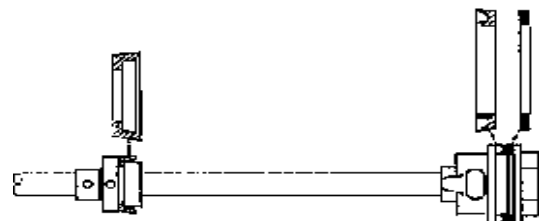
**Figure 18 Dowel Pin**

8. Inspect and replace the packings as required.



**Figure 19: Removing Piston**

9. Lubricate, install and assemble parts in reverse order.



**Figure 20: Packings**



# GHO Service & Parts Manual

## Transfer Pump Assembly

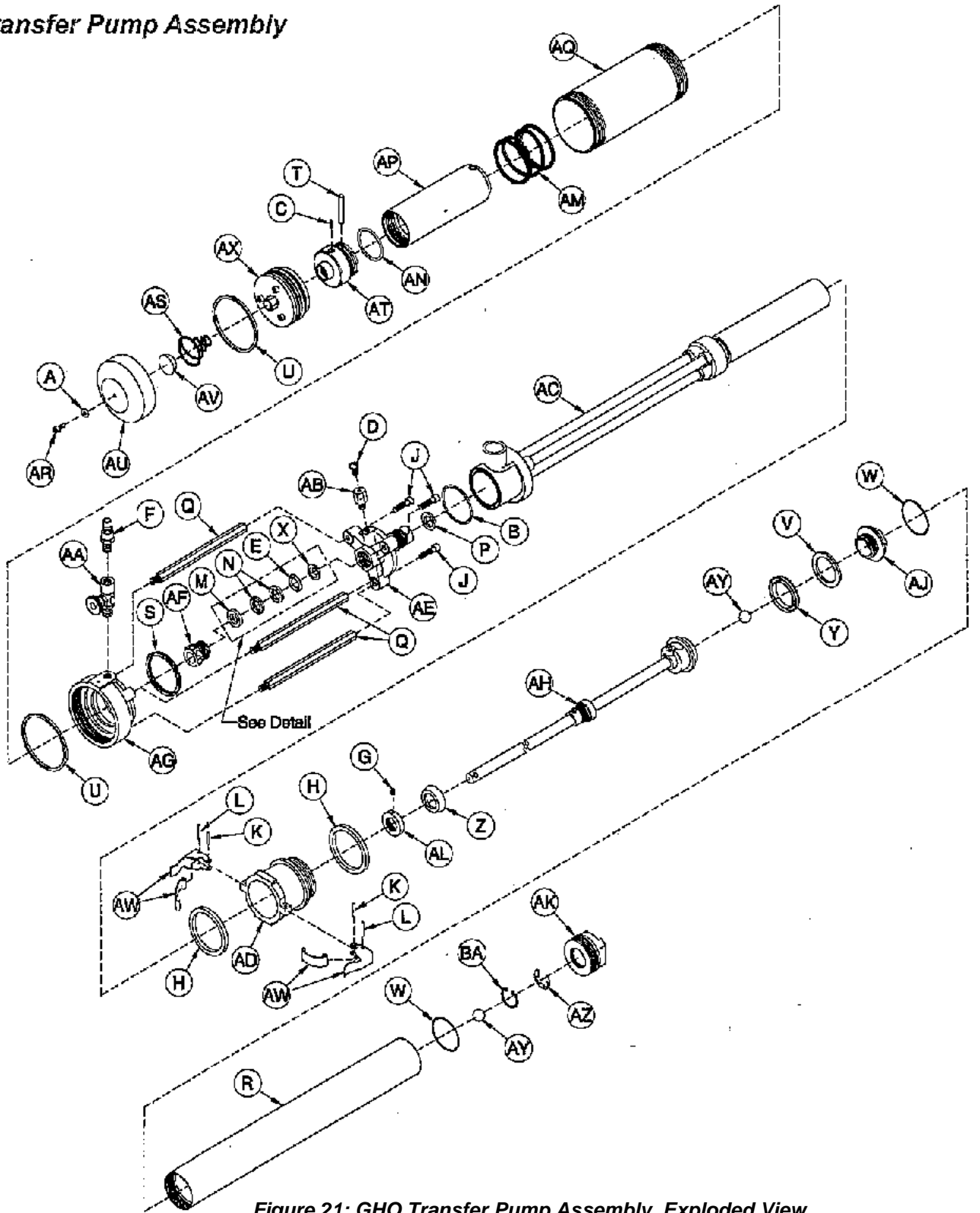


Figure 21: GHO Transfer Pump Assembly, Exploded View



# GHO Service & Parts Manual

Table 1: PMC GHO Transfer Pump Assembly, Parts

Symbol	Part Number	Description	Quantity
A	PU-04000-77	Fiber Washer	1
B	PU-04000-88	O-Ring	1
C	PU-04000-78	Socket Set Screw	1
D	PU-04000-86	Round Head Machine Screw	1
E	PU-04000-65	Seal Expander	2
F	PU-04000-83	Male Plug	1
G	PU-04000-89	Soft Point Set Screw	1
H	PU-04000-40	Gasket	2
J	PU-40000-87	Socket Head Cap Screw	3
K	PU-04000-36	Roll Pin	2
L	PU-04000-37	Roll Pin	2
M	PU-04000-64	Seal Retainer	2
N	PU-04000-71	FE Packing	4
P	PU-04000-68	Gasket	1
Q	PU-04000-63	Standoff	3
R	PU-04000-75	Suction Tube	1
S	PU-04000-84	U-Cup	1
T	PU-04000-79	Dowel Pin	1
U	PU-04000-81	O-Ring	2
V	PU-04000-67	Wave Ring	1
W	PU-04000-91	O-Ring	2
X	PU-04000-85	Wiper	2
Y	PU-04000-70	U-Cup	1
Z	PU-04000-69	Cup Packing	1
AA	PU-04000-82	Air Line Valve	1
AB	PU-06000-66	Grounding Lug	1
AC	PU-04000-24	Pump Body (PU-40000 ONLY)	1
AD	PU-04000-34	Bung Adapter	1
AE	PU-04000-51	Air Cylinder Mounting Flange	1
AF	PU-05000-61	Packing Nut	2
AG	PU-04000-49	Air Cylinder Base	1
AH	PU-04000-41	Pump Shaft (PU-04000 ONLY)	1
AJ	PU-04000-53	Material Piston Valve Housing	1
AK	PU-04000-55	Foot Valve Housing	1
AL	PU-04000-59	U-Cup Retaining Collar	1
AM	PU-04000-73	Spring	1
AN	PU-04000-80	O-Ring	1





# GHO Service & Parts Manual

Symbol	Part Number	Description	Quantity
AP	PU-04000-21	Displacement Plunger	1
AQ	PU-04000-62	Air Cylinder	1
AR	PU-04000-57	Press Relief Screw	1
AS	PU-04000-72	Compression Spring	1
AT	PU-04000-60	Plunger Top	1
AU	PU-04000-17	Air Cylinder Cap (includes AV)	1
AV	PU-04000-20	Bumper	1
AW	PU-04000-74	Bung Adapter Clamp	2
AX	PU-04000-01	Air Motor Assembly	1
AY	PU-04000-90	¾" Dia. SS Ball	2
AZ	PU-04000-93	Snap Ring	1
BA	PU-04000-92	Snap Ring	1

## 2:1 Transfer Pump Rebuild Kit Part # KT-GHO

QUANTITY	PART NUMBER	DESCRIPTION
1	PU-04000-88	O-RING
1	PU-04000-65	SEAL EXPANDER
1	PU-04000-42	O-RING
2	PU-04000-40	GASKET
1	PU-04000-70	U-CUP
1	PU-04000-69	CUP PACKING
1	PU-04000-64	SEAL RETAINER
2	PU-04000-71	FE PACKING
1	PU-04000-68	GASKET
1	PU-04000-84	U-CUP
2	PU-04000-81	O-RING
1	PU-04000-46	ROLL PIN
1	PU-04000-67	WEAR RING
2	PU-04000-91	O-RING
1	PU-04000-47	ROLL PIN
1	PU-04000-85	WIPER
1	PU-04000-09	WEAR RING
1	PU-04000-10	U-CUP
1	PU-04000-80	O-RING
1	PU-04000-14	O-RING
1	PU-04000-15	GASKET TOP
3	PU-04000-16	GASKET BOTTOM
1	PU-04000-92	SNAP RING



# GHO Service & Parts Manual

1	PU-04000-93	SNAP RING
1	GP-LOCTITE	LOCTITE #242

## AIR MOTOR ASSEMBLY

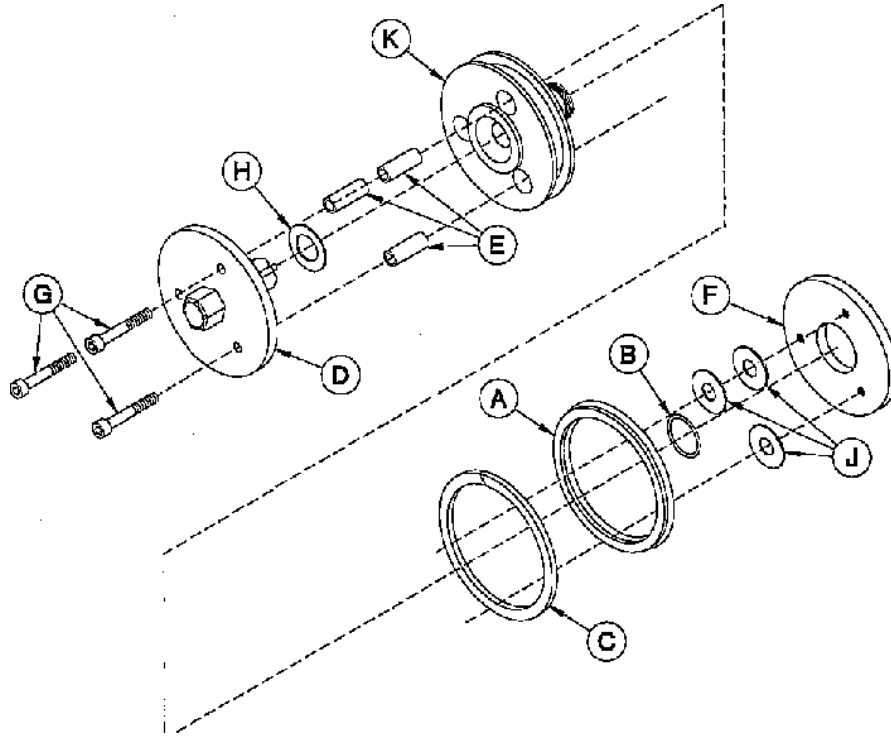


Figure 22: Air Motor Assembly, (Part No. PU-04000-01), Exploded View

Table 2: Air Motor Assembly, (Part No. PU-04000-01), Parts

Symbol	Part Number	Description	Quantity
A	PU-04000-10	U-Cup	1
B	PU-04000-14	O-Ring	1
C	PU-04000-09	Wear Ring	1
D	PU-04000-03	Upper Air Valve Assembly	1
E	PU-04000-08	Spacer	3
F	PU-04000-13	Lower Air Valve	1
G	PU-04000-02	Socket Head Cap Screw	3
H	PU-04000-15	Gasket Top	1
J	PU-04000-16	Gasket Bottom	3
K	PU-04000-11	Air Piston	1