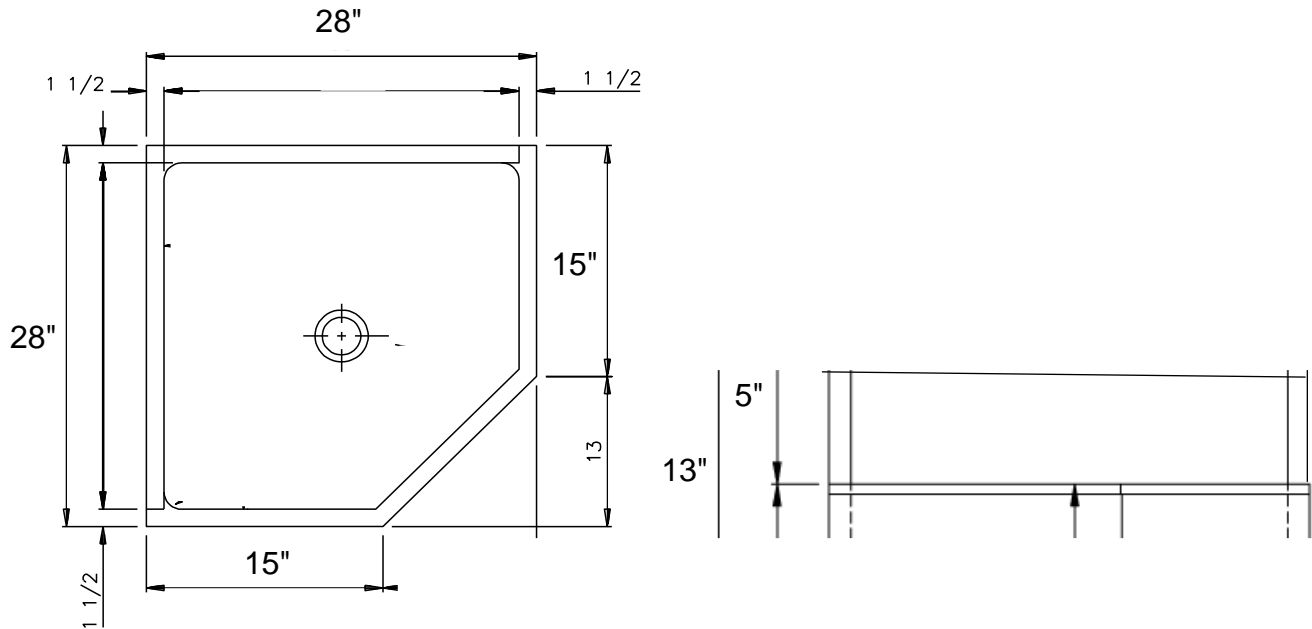


WICKETTS STAINLESS SPECIFICATION

Commercial Mop Sinks



WMS-2828-NEO	28	28	8
Custom			

Engineering Specification:

16 gauge, type 304 stainless mop sink. Top 1 1/2" wide top channel rims. Exposed surfaces polished to a #4 satin finish. With lockable grid drain.

Wicketts Stainless, LLC.
2618 San Miguel Dr. Bldg. # 376
Newport Beach, CA 92660
Tel: 951-858-2548
Fax: 951-638-9059
sales@wickettsstainless.com
www.wickettsstainless.com



Approved for Manufacturing

Company: _____
Signature: _____
Print: _____ Date: / /