

PROPOSED 9'-0" WIDE X 18'-0" LONG  
PARKING STALLS STRIPED AT 45-DEG.  
W/4-IN. WIDE STANDARD PAVEMENT PAINT

EXISTING 4'-0" WIDE CONCRETE  
SIDEWALK AND CURB TO REMAIN

EXISTING CURB RAMP  
TO REMAIN

EXTERIOR DIMENSIONS  
SHOWING EXISTING CURB  
CUTS TO REMAIN (TYP.)

PROPOSED ADA ACCESSIBLE  
PARKING SPACE WITH SIGN  
MOUNTED TO BUILDING

PROPOSED ADA LOADING  
ZONE



DRAWN BY:	MM
CHECKED BY:	MM
ORIGINAL ISSUE DATE:	JUNE 13, 2018
SCALE:	1" = 20'-0"
DESCRIPTION OF REVISION:	
DATE:	
#	
UNAUTHORIZED ALTERATION OR ADDITION TO PLANS BEARING A LICENSED ENGINEER'S OR ARCHITECT'S SEAL IS A VIOLATION OF SECTION 2209 OF THE NEW YORK STATE EDUCATION LAW.	
COPYRIGHT: 2018	

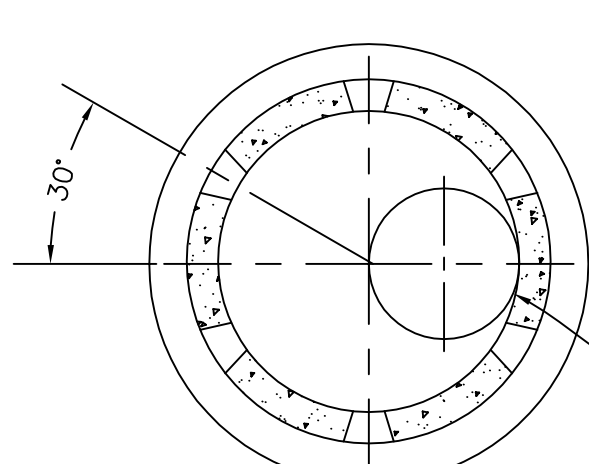
**MASER ENGINEERING**  
DEVELOPING A BETTER WORLD

CIVIL & ENVIRONMENTAL / TRANSPORTATION ENGINEERING, PROJECT & CONSTRUCTION MANAGEMENT  
112 N. MAIN ST., HORSEHEADS, NY 14861 | 607.377.7590 | WWW.MASERENGINEERING.NET

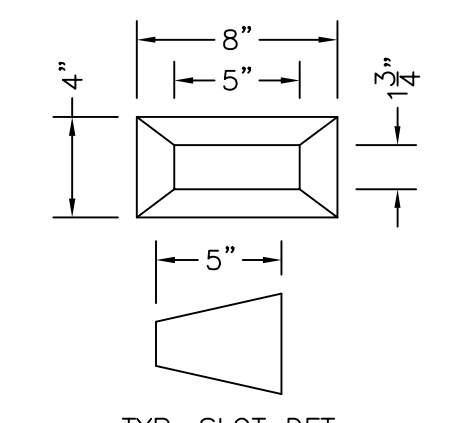
**GENERAL NOTES:**

1. BASE-MAP WAS PROVIDED BY WEILER ASSOCIATED, DATED APRIL 3, 2018, JOB NO. 15963.

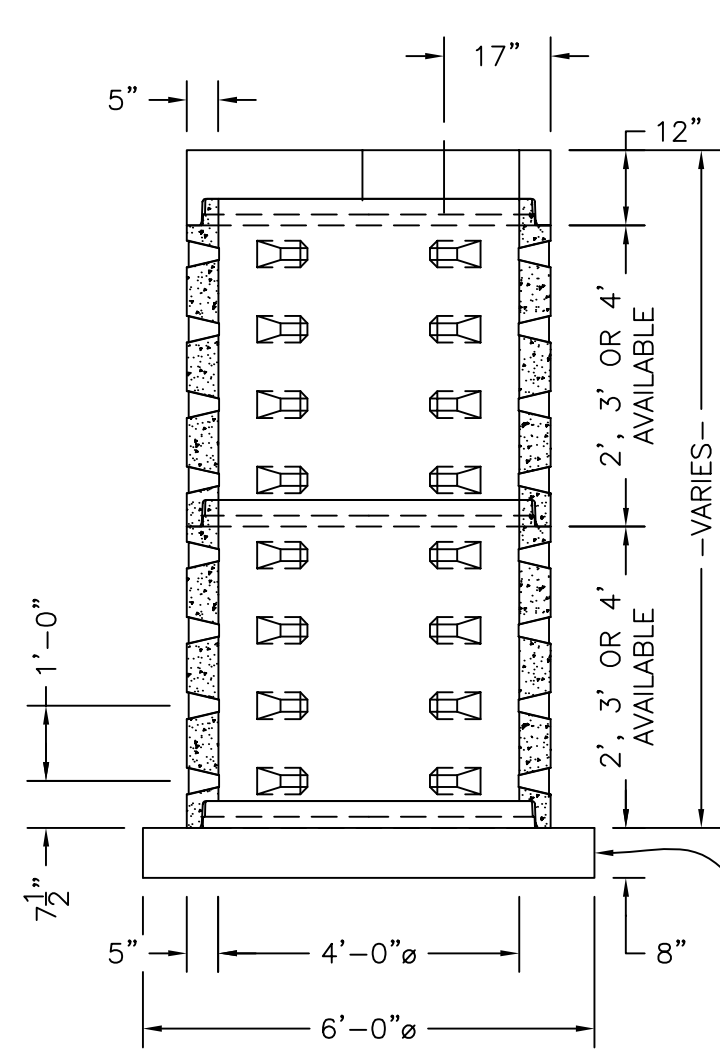
SPECIFICATIONS:  
CONCRETE: 4000 P.S.I. @ 28 DAYS.  
ENTRAINED AIR: 5% - 9%.  
STEEL: A.S.T.M. A496-A615  
GRADE 60-60 KSI.  
DESIGN LOADING: A.A.S.H.T.O. HS-20-44  
WITH 30% IMPACT AND  
EQUIVALENT SOIL PRESSURE  
OF 130 (PSF). FLOTATION  
FORCES NOT ACCOUNTED FOR.



GENERAL NOTES:  
1. REINFORCED STEEL  
CONFORMS TO LATEST  
A.S.T.M. A185 SPEC.  
0.12 SQ. IN./LINEAL FT.  
AND 0.12 SQ. IN. (BOTH  
WAYS) IN BASE SLAB.  
2. CONCRETE COMPRESSIVE  
STRENGTH - 4000 PSI  
MINIMUM.  
3. MANHOLE DESIGN  
SPECIFICATIONS CON-  
FORM TO LATEST A.S.T.M.  
C478 SPEC. FOR PRE-  
CAST REINFORCED CON-  
CRETE MANHOLE SECTIONS.

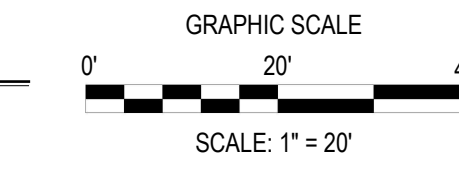


APPROX. WEIGHTS:  
BASE: 3400 LBS.  
BARREL: 798.35 LBS./FT.  
F.T.: 1800 LBS.



**2 STANDARD 4'-0" DIAMETER DRY WELL**  
SCALE: N.T.S.

- LEGEND**
- COMPUTED POINT
  - IPF ▲ IRON PIN FOUND
  - IPS ▲ IRON PIN SET
  - POLE
  - GUY ANCHOR
  - ☆ LIGHT POLE
  - mw ● MONITORING WELL
  - MANHOLE
  - CATCH BASIN
  - SIGN POST



**1 SITE IMPROVEMENT PLAN**  
SCALE: 1" = 20'-0"

**SITE IMPROVEMENT PLAN**  
**DANDY MINI MART #38 SITE MODIFICATIONS**  
102 MAIN STREET VILLAGE OF ODESSA, SCHUYLER COUNTY, NEW YORK  
DANDY MINI MARTS INC.

**C-1.0**  
PROJECT NO.: 2018-018