

LP-20 Datasheet

# LP-20

LP20 Power/Signal	Product Series	LP-20																			
	Pin Number	2PIN		3PIN		4PIN		5PIN		7PIN		8PIN		9PIN		12PIN		14PIN		—	
	Application Type Section																			—	
	Current Rating	20A						10A		10A		20A+5A		5A						—	
	Voltage Rating	AC 500V						AC 500V		AC 500V		AC 250V		AC 250V						—	
	Cable O.D Range	≤ φ 12.0mm										≤ φ 12.0mm						—			
	Wire Size	2.5mm <sup>2</sup> /12AWG						1.5mm <sup>2</sup> /16AWG		1.5mm <sup>2</sup> /16AWG		2.5mm <sup>2</sup> /12AWG 0.5mm <sup>2</sup> /20AWG		0.5mm <sup>2</sup> /20AWG						—	
	Protection Level	Standard is IP65, IP67&IP68 Option Available										Standard is IP65, IP67&IP68 Option Available									
	Assembly Method	Soldering / Screwing				Soldering				Soldering											
Illustration	Material	Part No										Part No									
	Metal + Plastic	Male	LP-20-C02PE-01-001A	LP-20-C03PE-01-001A	LP-20-C04PE-01-001A	LP-20-C05PE-01-001A	LP-20-C07PE-01-001A		LP-20-C08PE-01-051	LP-20-C09PE-01-001A	LP-20-C12PE-01-001A	LP-20-C14PE-01-001A	—								
		Female	LP-20-J02PE-01-002A	LP-20-J03PE-01-003A	LP-20-J04PE-01-002A	LP-20-J05PE-01-002A	LP-20-J07PE-01-002A		LP-20-J08PE-01-051A	LP-20-J09PE-01-002A	LP-20-J12PE-01-002A	LP-20-J14PE-01-001A	—								
	Metal	Male	LP-20-C02PE-03-001A	LP-20-C03PE-03-001A	LP-20-C04PE-03-001A	LP-20-C05PE-03-001A	LP-20-C07PE-03-001A		LP-20-C08PE-03-001A	LP-20-C09PE-03-001A	LP-20-C12PE-03-001A	LP-20-C14PE-03-001A	—								
		Female	LP-20-J02PE-03-001A	LP-20-J03PE-03-001A	LP-20-J04PE-03-001A	LP-20-J05PE-03-001A	LP-20-J07PE-03-001A		LP-20-J08PE-03-001A	LP-20-J09PE-03-001A	LP-20-J12PE-03-001A	LP-20-J14PE-03-001A	—								
	Metal	Male	LP-20-C02SX-03-101A	LP-20-C03SX-03-101A	LP-20-C04SX-03-101A	LP-20-C05SX-03-101A	LP-20-C07SX-03-101A		LP-20-C08SX-03-151	LP-20-C09SX-03-101A	LP-20-C12SX-03-101A	LP-20-C14SX-03-101A	—								
		Female	LP-20-J02SX-03-101A	LP-20-J03SX-03-101A	LP-20-J04SX-03-101A	LP-20-J05SX-03-101A	LP-20-J07SX-03-101A		LP-20-J08SX-03-151	LP-20-J09SX-03-101A	LP-20-J12SX-03-101A	LP-20-J14SX-03-101A	—								
	Metal	Male	LP-20-C02SX-03-201A	LP-20-C03SX-03-201A	LP-20-C04SX-03-201A	LP-20-C05SX-03-201A	LP-20-C07SX-03-201A		LP-20-C08SX-03-251	LP-20-C09SX-03-201A	LP-20-C12SX-03-201A	LP-20-C14SX-03-201A	—								
		Female	LP-20-J02SX-03-201A	LP-20-J03SX-03-201A	LP-20-J04SX-03-201A	LP-20-J05SX-03-201A	LP-20-J07SX-03-201A		LP-20-J08SX-03-251	LP-20-J09SX-03-201A	LP-20-J12SX-03-201A	LP-20-J14SX-03-201A	—								
	Metal	Male	LP-20-C02SX-03-401A	LP-20-C03SX-03-401A	LP-20-C04SX-03-401A	LP-20-C05SX-03-401A	LP-20-C07SX-03-401A		LP-20-C08SX-03-451A	LP-20-C09SX-03-401A	LP-20-C12SX-03-401A	LP-20-C14SX-03-401A	—								
		Female	LP-20-J02SX-03-401A	LP-20-J03SX-03-401A	LP-20-J04SX-03-401A	LP-20-J05SX-03-401A	LP-20-J07SX-03-401A		LP-20-J08SX-03-451	LP-20-J09SX-03-401A	LP-20-J12SX-03-401A	LP-20-J14SX-03-401A	—								

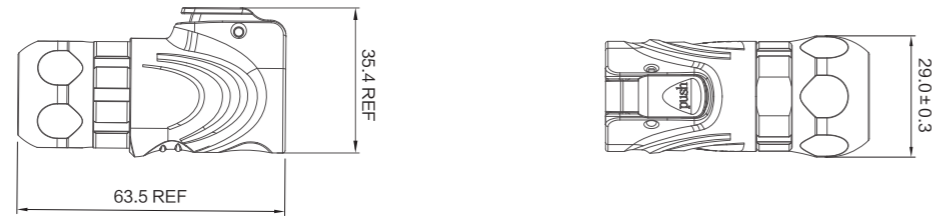
LP-20 Datasheet

# LP-20

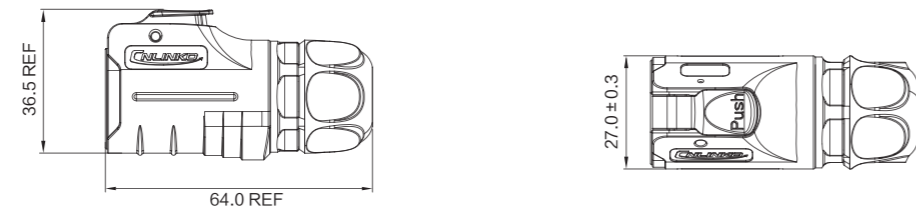
LP20 Power/Signal	Product Series	LP-20								LP-20										
	Pin Number	2PIN		3PIN		4PIN		5PIN		7PIN		8PIN		9PIN		12PIN		14PIN		—
	Application Type Section																			—
	Current Rating	20A						10A				20A+5A		5A				—		
	Voltage Rating	AC 500V						AC 500V				AC 250V		AC 250V				—		
	Cable O.D Range	≤ φ 12.0mm												≤ φ 12.0mm				—		
	Wire Size	2.5mm <sup>2</sup> /12AWG						1.5mm <sup>2</sup> /16AWG				2.5mm <sup>2</sup> /12AWG 0.5mm <sup>2</sup> /20AWG		0.5mm <sup>2</sup> /20AWG				—		
	Protection Level	Standard is IP65, IP67&IP68 Option Available										Standard is IP65, IP67&IP68 Option Available								
	Assembly Method	Soldering/Screwing				Soldering				Soldering										
Illustration	Material	Part No										Part No								
	Plastic	Male	LP-20-C02PE-02-001A	LP-20-C03PE-02-001A	LP-20-C04PE-02-001A	LP-20-C05PE-02-001A			LP-20-C07PE-02-001A	LP-20-C08PE-02-051	LP-20-C09PE-02-001A	LP-20-C12PE-02-001A	LP-20-C14PE-02-001A	—						
		Female	LP-20-J02PE-02-001A	LP-20-J03PE-02-001A	LP-20-J04PE-02-001A	LP-20-J05PE-02-001A			LP-20-J07PE-02-001A	LP-20-J08PE-02-051	LP-20-J09PE-02-001A	LP-20-J12PE-02-001A	LP-20-J14PE-02-001A	—						
		Male	LP-20-C02PP-02-001A	LP-20-C03PP-02-001A	LP-20-C04PP-02-001A	LP-20-C05PP-02-001A			LP-20-C07PP-02-001A	LP-20-C08PP-02-001A	LP-20-C09PP-02-001A	LP-20-C12PP-02-001A	LP-20-C14PP-02-001A	—						
		Female	LP-20-J02PP-02-001A	LP-20-J03PP-02-001A	LP-20-J04PP-02-001A	LP-20-J05PP-02-001A			LP-20-J07PP-02-001A	LP-20-J08PP-02-001A	LP-20-J09PP-02-001A	LP-20-J12PP-02-001A	LP-20-J14PP-02-001A	—						
		Male	LP-20-C02SX-02-101A	LP-20-C03SX-02-101A	LP-20-C04SX-02-101A	LP-20-C05SX-02-101A			LP-20-C07SX-02-101A	LP-20-C08SX-02-151A	LP-20-C09SX-02-101A	LP-20-C12SX-02-101A	LP-20-J12SX-02-101A	LP-20-J14SX-02-101A	—					
		Female	LP-20-J02SX-02-101A	LP-20-J03SX-02-101A	LP-20-J04SX-02-101A	LP-20-J05SX-02-101A			LP-20-J07SX-02-101A	LP-20-J08SX-02-151	LP-20-J09SX-02-101A	LP-20-J12SX-02-101A	LP-20-J14SX-02-101A	—						

**LP-20 Dimension Drawing** (unit: mm)

**Metal Plug**



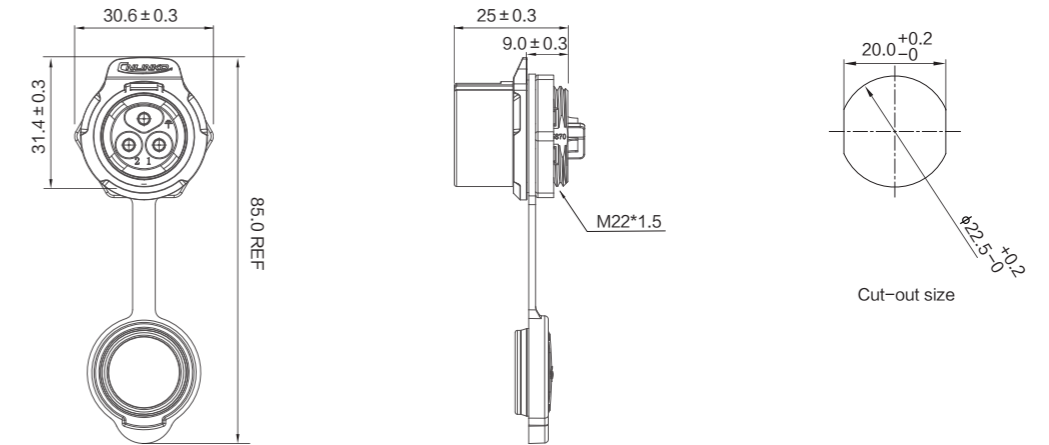
**Plastic Plug**



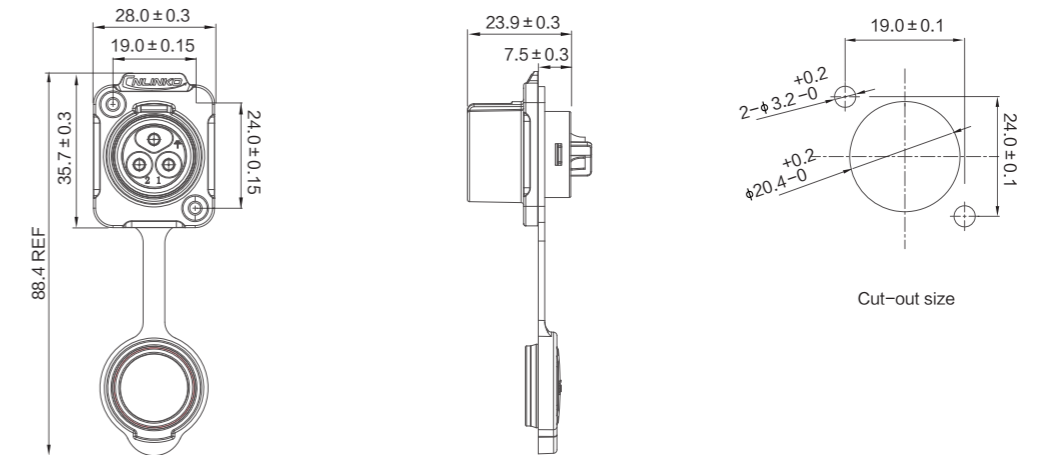
**In-line receptacle**



**Single hole straight receptacle**



**Two-hole flange receptacle**



**Four-hole flange receptacle**

