



Shield Fall Protection

Be Safe. Shield Yourself

**LIFLINE**

WHEN SAFETY MATTERS

**TUFF BUILT**  
PRODUCTS INC.

# MOBILE FALL PROTECTION EQUIPMENT CATALOGUE

“OVER A DECADE OF FIELD EXPERIENCE HAS TAUGHT US THAT A PERMANENT FALL PROTECTION SYSTEM IS NOT ALWAYS THE BEST CHOICE.”

[www.shieldfallprotection.com](http://www.shieldfallprotection.com)  
[ventas@shieldfallprotection.com](mailto:ventas@shieldfallprotection.com)  
[sales@shieldfallprotection.com](mailto:sales@shieldfallprotection.com)



Shield Fall Protection

Be Safe. Shield Yourself

**LIFLINE**

WHEN SAFETY MATTERS

**TUFF BUILT**  
PRODUCTS INC.

# MOBILE FALL PROTECTION EQUIPMENT CATALOGUE

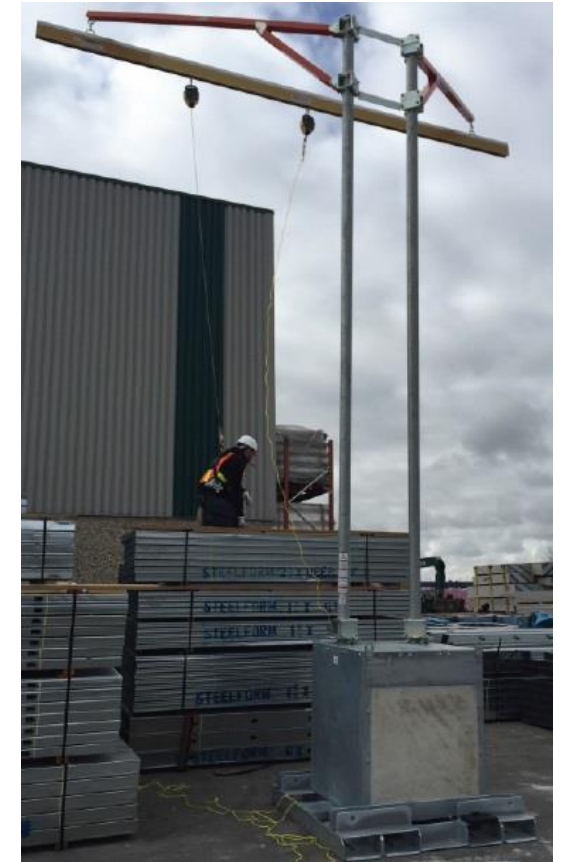
1. CUBE ANCHOR.
2. M.A.S.S.
3. F.S.M.A.S.S.
4. QUADFRAME.
5. GRABBER RM.
6. HORIZONTAL RAIL.
7. GRABBER RMT
8. ROTOGRABBER.
9. MINI ROTO GRABBER
10. MINI GRABBER
11. "A" FRAME.
12. GRABBER "I" BEAM.
13. SINGLE POINT ANCHOR.

[www.shieldfallprotection.com](http://www.shieldfallprotection.com)

[ventas@shieldfallprotection.com](mailto:ventas@shieldfallprotection.com) [sales@shieldfallprotection.com](mailto:sales@shieldfallprotection.com)

# Cube Anchor

- The Cube Anchor uses a Steel cube that fills up with concrete to help stabilize One (1) or Two (2) Davit Arms that provide a Mobil Certified Anchor Point, System can be configured for One (1) or Two (2) users, Height can be Fixed or Adjustable.
- Mobile base or Forklift base available. Height can be fixed or adjustable from 4.30 to 7.60 Meters. Reach from 2.30 to 3.30 Meters.
- Meets and exceeds applicable OSHA & ANSI regulations.





# Cube Anchor

Pro- 9 Cube Package # 70239 includes;			
	Pt#	Qty	Description
<b>Davit</b>	70238	1	Single Anchor Point Fixed Height (Aluminum)
<b>Base</b>	70185	1	Single Sleeve 8pc Cube
<b>Davit Reach</b>	7'-0" (2.13m)		
<b>Davit Height</b>	13'-6" (4.06m) min. to 24'-4" (7.41m) max.		

Pro- 9 Cube Package # 70271 includes;			
	Pt#	Qty	Description
<b>Davit</b>	70238	2	Single Anchor Point Fixed Height (Aluminum)
<b>Base</b>	70186	1	Double Sleeve 8pc Cube
<b>Davit Reach</b>	7'-0" (2.13m)		
<b>Davit Height</b>	13'-6" (4.06m) min. to 24'-4" (7.41m) max.		

Pro- 9 Cube Package # 70375 includes;			
	Pt#	Qty	Description
<b>Davit</b>	70374	1	Single Anchor Point Fixed Height (Steel)
<b>Base</b>	70185	1	Single Sleeve 8pc Cube
<b>Davit Reach</b>	10'-0" (3.04m)		
<b>Davit Height</b>	13'-6" (4.06m) min. to 24'-4" (7.41m) max.		

Pro- 9 Cube Package # 70376 includes;			
	Pt#	Qty	Description
<b>Davit</b>	70374	1	Single Anchor Point Fixed Height (Steel)
<b>Base</b>	70186	1	Double Sleeve 8pc Cube
<b>Davit Reach</b>	10'-0" (3.04m)		
<b>Davit Height</b>	13'-6" (4.06m) min. to 24'-4" (7.41m) max.		

Pro- 9 Cube Package # 70346 includes;			
	Pt#	Qty	Description
<b>Davit</b>	70345	1	Single Anchor Point Fixed Height (Aluminum) Folding w/ Winch
<b>Base</b>	70185	1	Single Sleeve 8pc Cube
<b>Davit Reach</b>	7'-0" (2.13m)		
<b>Davit Height</b>	13'-6" (4.06m) min. to 24'-4" (7.41m) max.		

Pro- 9 Cube Package # 70377 includes;			
	Pt#	Qty	Description
<b>Davit</b>	70120	1	Single Anchor Point Adjustable Height
<b>Base</b>	70185	1	Single Sleeve 8pc Cube
<b>Davit Reach</b>	10'-0" (3.04m)		
<b>Davit Height</b>	14'-2 1/2" (4.33m) min. to 23'-6 1/4" (7.41m) max.		

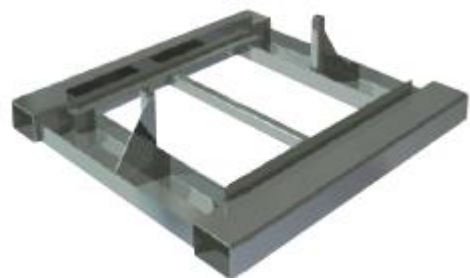
Pro- 9 Cube Package # 70378 includes;			
	Pt#	Qty	Description
<b>Davit</b>	70120	2	Single Anchor Point Adjustable Height
<b>Base</b>	70186	1	Double Sleeve 8pc Cube
<b>Davit Reach</b>	10'-0" (3.04m)		
<b>Davit Height</b>	14'-2 1/2" (4.33m) min. to 23'-6 1/4" (7.41m) max.		



# Cube Anchor

## PRO-9 Cube System Accessories

Part#	Description
70187	Forklift Pockets
70188	Kit, Leveling for Concrete Floors ONLY (adds 5.00" to height)
70224	Trailer / Dolly STD Duty (adds 15.00" to height)
70225	Stabilizer Base with Single Forklift Pockets (adds 3.00" to height)
70497	Trailer / Dolly Heavy Duty (adds 6.00" to height)



**Pt# 70225; Stabilizer Base w/ Single Pockets**



**Pt# 70497; Trailer/Dolly Heavy Duty**



**Pt# 70188; Pallet Jack**



# M. A. S. S.

- *The Mobile Access Stair System M. A. S. S. provides the safest way to reach elevated work surfaces.*
- *Safest Design in the Market, Stair Steps instead of Ladder Steps..*
- *Accesories available: Safety Cage, Davit Arms, 3 Meter Long Horizontal Rail Assembly.*
- *Made of High Strength Aeronautical Grade Structural Aluminium Light to be moved easy and Rough to withstand tough enviroments.*
- *Meets and excedes applicable OSHA & ANSI regulations.*





- 70076 Height Adjustable from 2.18 Meters to 3.12 Meters.
- 70075 Height Adjustable from 2.90 Meters to 4.57 Meters.



# M. A. S. S.

Part#	Model	Height	Wheels	Weight
70075	Mobile Access Stair System	114" (290cm)- 180" (457cm)	Pneumatic	1225 Lbs (557 Kgs)
70076	Mobile Access Stair System	86" (218cm) - 123" (312cm)	Urethane	960 Lbs (437 Kgs)

Part#	Model	Weight
20039	Guardrail Pkg w/Bumpers	67 Lbs (31 Kgs)
20009	MASS, Tripod Pkg (includes cage )	65 Lbs (39 Kgs)
20014	MASS, Davits (2) Anchor Points	121 Lbs (55 Kgs)
20015	Mass, Rail (10FT) w/ Travelling Anchor point	166 Lbs (76 Kgs)



Pt# 20009;  
MASS, Tripod Pkg



Pt# 20039;  
MASS, Guardrail Cage



Pt# 20014;  
MASS, Davit Anchor  
Points Pkg



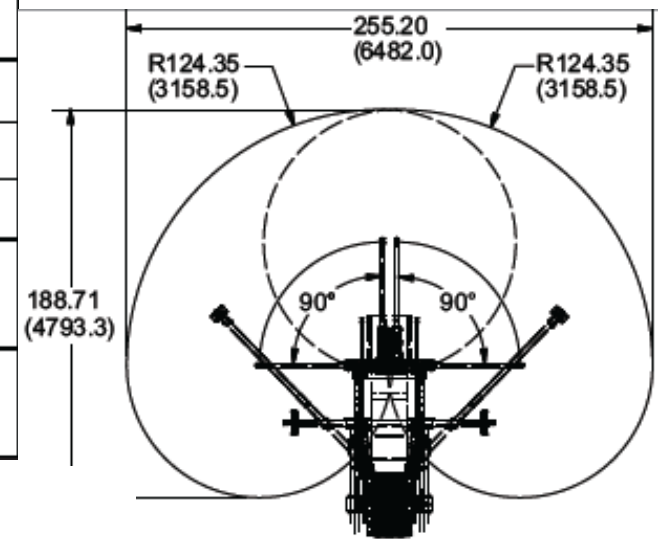


# F. S. M. A. S. S.

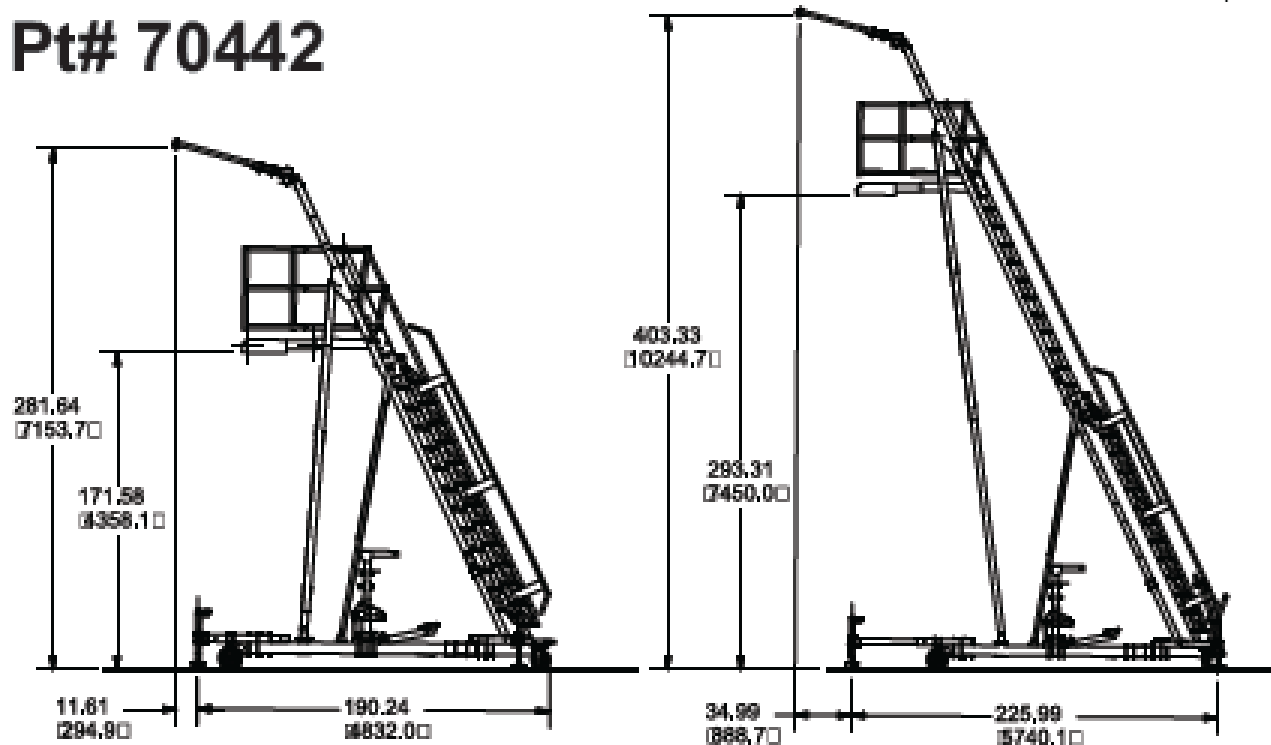
- For Greater Heights we have the Free Standing Mobil Access Stair System (F.S.M.A.S.S.) Adjustable up to a Height of 7 Meters
- New “Umbrella” System provides Rotational Anchor Davits for Two (2) users.
- Made of High Strength Aeronautical Grade Structural Aluminium Light to be moved easy and Rough to withstand tough enviroments.
- Meets and exceeds applicable OSHA & ANSI regulations.



Part#	Model	Height	Wheels	Weight
70110	F.S.A.S.S, 141//216H-2A-PFF	141" (358cm)-216" (549cm)	Pneumatic	2075 Lbs (942 Kgs)
70111	F.S.A.S.S, 129/215H-2A-U	129" (328cm)-215" (546cm)	Urethane	1650 Lbs (749 Kgs)
70112	F.S.A.S.S, 119/184H-2A-PFF	119" (302cm) - 184" (467cm)	Pneumatic	2000 Lbs (907 Kgs)
70442	F.A.S.S, 171/293H-2A-MR-TH-HYD Manual Hydraulic Adjustment	171" (435cm) - 293" (745cm)	Molden Rubber	3050 Lbs (1386 Kgs)
70443	F.A.S.S, 141/218H-2A-MR-TH	141" (360cm) - 218" (552cm)	Molden Rubber	2200 Lbs (1000 Kgs)



## Pt# 70442



# QuadFrame

- The QuadFrame System provides an above the head certified Mobile Anchor Point for up to Two (2) Users on One (1) Rail or Four (4) users on Two (2) Rails.
- Made of High Strength Aeronautical Grade Structural Aluminium Light to be moved easy and Rough to withstand tough environments.
- Meets and exceeds applicable OSHA & ANSI regulations.





# QuadFrame



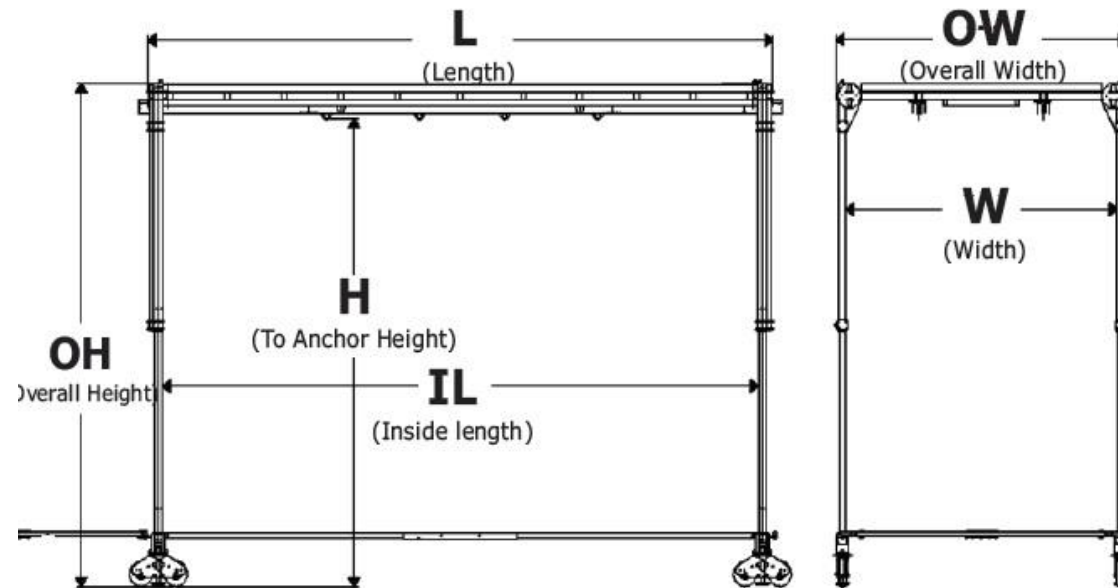
*Quadframe can be used on Airplanes, Helicopters, Mining Trucks, Trucks, Machinery, Harvesting Equipment, Isotankers*



# QuadFrame

## Quad-Frames

Part#	Model	W	L	H	OH	IL	OW	Wheels	Weight (Lbs/Kgs, est.)
70140	Quad-Frame, 12W-16L-18H-2R-2A-P	12'-0"	16'-0"	18'-4"	20'-0"	14'-5"	13'-0"	Pneumatic	1250 / 569
70141	Quad-Frame, 12W-16L-18H-1R-2A-U	12'-0"	16'-0"	18'-4"	20'-0"	14'-5"	13'-0"	Urethane	1100 / 500
70142	Quad-Frame, 12W-15L-16H-1R-2A-U	12'-0"	15'-0"	15'-10"	17'-6"	13'-5"	13'-0"	Urethane	1065 / 485
70143	Quad-Frame, 14W-34L-22H-2R-4A-P	14'-4"	34'-0"	21'-8"	23'-4"	31'-5"	15'-4"	Pneumatic	2625 / 1193





# Grabber RM



- The Grabber-RM-18 unit is a fall protection model designed for the ultimate compactness and portability. At full set-up, the 18-RM has an adjustable height from 15 ft. to 18 ft. with a standard 6 ft. 6 in. reach delivered by an hydraulic boom for maximum worker safety and efficiency.
- The RM-22 unit, providing the same unmatched level of protection, is a slightly taller unit that has an adjustable height from 18 ft. to 22 ft. The unit also comes equipped with a standard 6 ft. 6 in. reach.
- Versatile, collapsible mast. When fully extended, this unit provides a height of 18 ft. (Grabber-RM 18) or 22 ft. (Grabber-RM 22), for your overhead tie-off needs.
- Full-swivel anchor point with a 310 lb. capacity. Units equipped with two (2) anchor points.
- Equipped with two (2) 18.6 in. solid foam-filled wheels and one (1) 16 in. solid-rubber rear wheel with locking brake





# Grabber RM

## Grabber-RM 18

Max. Height (Extended):	18 ft.	Minimum Height (Extended):	15 ft.
Max. Height (Folded):	7 ft. 8 in.	Reach:	6 ft. 6 in.
Base Max. Width (Extended):	10 ft.	Base Width (Non-Extended):	6 ft. 6 in.
Front Wheels:	(2) 18.6 in. Solid Foam-Filled	Rear Wheel:	(1) 16 in. Solid Rubber w/ Brake
Total Weight w/ Counterweights:	2700 lbs.	Total Weight w/o Counterweights:	1500 lbs.
Total Counterweight:	1200 lbs., (48) 25-lbs. Plates	MAF:	5000 lbs.
Anchor Point Capacity:	310 lbs. per Point	Maximum Towing Speed:	25 MPH

## Grabber-RM 22

Max. Height (Extended):	22 ft.	Minimum Height (Extended):	15 ft.
Max. Height (Folded):	7 ft. 8 in.	Reach:	6 ft. 6 in.
Base Max. Width (Extended):	10 ft.	Base Width (Non-Extended):	6 ft. 6 in.
Front Wheels:	(2) 18.6 in. Solid Foam-Filled	Rear Wheel:	(1) 16 in. Solid Rubber w/ Brake
Total Weight w/ Counterweights:	2700 lbs.	Total Weight w/o Counterweights:	1500 lbs.
Total Counterweight:	1200 lbs., (48) 25-lbs. Plates	MAF:	5000 lbs.
Anchor Point Capacity:	310 lbs. per Point	Maximum Towing Speed:	25 MPH



# Horizontal Rail

- The Horizontal Rail System provides an above the head certified Mobile Anchor Point for up to Two (2) Users on One (1) Rail or Two (2) Rails for independent movement.
- Made of High Strength Aeronautical Grade Structural Aluminium Light to be moved easy and Rough to withstand tough environments.
- Meets and exceeds applicable OSHA & ANSI regulations.



# Horizontal Rail

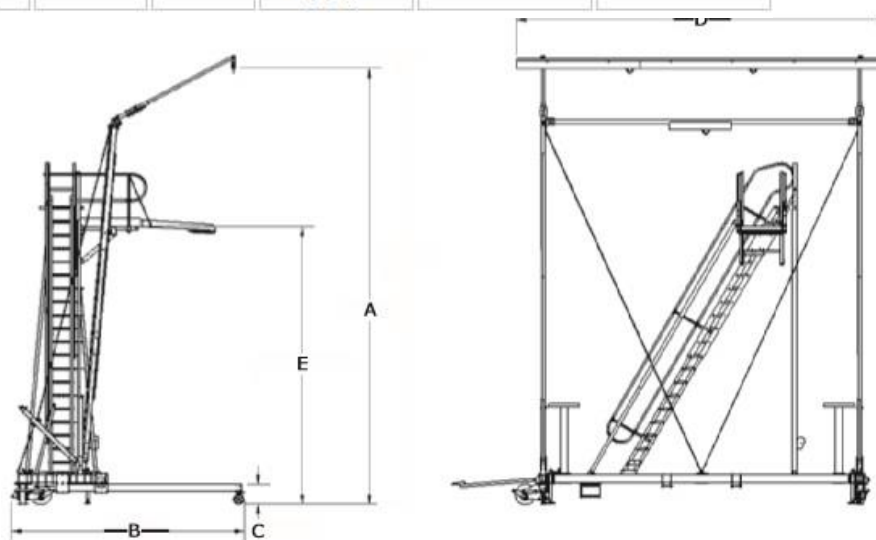
- Horizontal Rail Systems Meet and Exceed OSHA & ANSI Requirements.
- Systems can be Height Adjustable or have a Fixed height, they can also come with an Integrated Access Stair.





# Horizontal Rail

Part #	Model	W	H	B	C	Height of Entrance Platform	Wheels	Weight
70032	Sky-X-Stand PRO-3, 9W-24H-1R-1A-U	10'-0"	24'-1"	13'-8"	13'-8"	-	Urethane	1315 Lbs (598 Kgs)
70033	Sky-X-Stand PRO-3, 9W-25H-1R-2A-P	10'-0"	25'-4"	16'-0"	1'-3"	-	Pneumatic	1850 Lbs (841 Kgs)
50004	Sky-X-Stand PRO-4, 16W-20H-1R-1A-P w/ Access Stair	16'-0"	20'-0"	15'-0"	15'-6"	8'-0" to 12'-0"	Pneumatic	3380 Lbs (1537 Kgs)
50014	Sky-X-Stand PRO-5, 15W-12/18H-1R-1A-U	16'-0"	18'-0"	13'-8"	0'-8"	-	Urethane	1720 Lbs (782 Kgs)
50007	Sky-X-Stand PRO-5, 10W-12/18H-1R-1A-P	12'-0"	17'-11"	14'-10"	1'-11"	-	Pneumatic	2000 Lbs (910 Kgs)
50040	Sky-X-Stand PRO-5, 16W-20/34H-2R-2A-P	16'-0"	20'-0" to 34'-0"	16'-4"	2'-3"	-	Pneumatic	2950 Lbs (1340 Kgs)
50025	Sky-X-Stand PRO-6, 10W-19/24H-1R-1A-U w/ Access Stair	12'-0"	19'-0" to 23'-4"	16'-5"	0'-9"	9'-8" to 14'-8"	Urethane	2100 Lbs (955 Kgs)



# Horizontal Rail



Pt# 70033  
Sky-X-Stand PRO-3



Pt# 20025  
Sky-X-Stand PRO-6



Pt# 50004  
Sky-X-Stand PRO-4



Pt# 50014  
Sky-X-Stand PRO-5



# Grabber RMT

- The Grabber-RMT model is unrivaled in its mobility; providing a fall protection solution that is graded for inter-site travel up to 60 MPH. The mast and extendable arm are hydraulic-powered, and the unit was designed to exceed OSHA and ANSI standards.
- Versatile, collapsible mast. When fully extended, this unit provides a height of 18 ft. (Grabber-RMT 18) or 22 ft. (Grabber-RMT 22), for your overhead tie-off needs.
- Full-swivel anchor point with a 310 lb. capacity. Units equipped with two (2) anchor points





# Grabber RMT

- 31" road tires, a heavy-duty axle rated for 5200 lbs., fenders and brake light system, as well as an emergency breakaway switch; the Grabber-RMT is unlike anything else available today.
- Hydraulic control system.
- **\*\* The RMT model has been designed to allow for highway and inter-jobsite travel for up to 60 MPH.**



# Grabber RMT

## Grabber-RMT 18

Max. Height (Extended):	18 ft.	Minimum Height (Extended):	15 ft.
Max. Height (Folded):	8 ft. 4 in.	Reach:	6 ft. 6 in.
Base Max. Width (Extended):	10 ft.	Base Width (Non-Extended):	7 ft. 9 in.
Front Wheels:	(2) 31 in. road-grade tires	Rear Wheel:	(1) 16 in. Solid Rubber w/ Brake
Total Weight w/ Counterweights:	2900 lbs.	Total Weight w/o Counterweights:	1700 lbs.
Total Counterweight:	1200 lbs., (48) 25-lbs. Plates	MAF:	5000 lbs.
Anchor Point Capacity:	310 lbs.	Maximum Towing Speed:	60 MPH

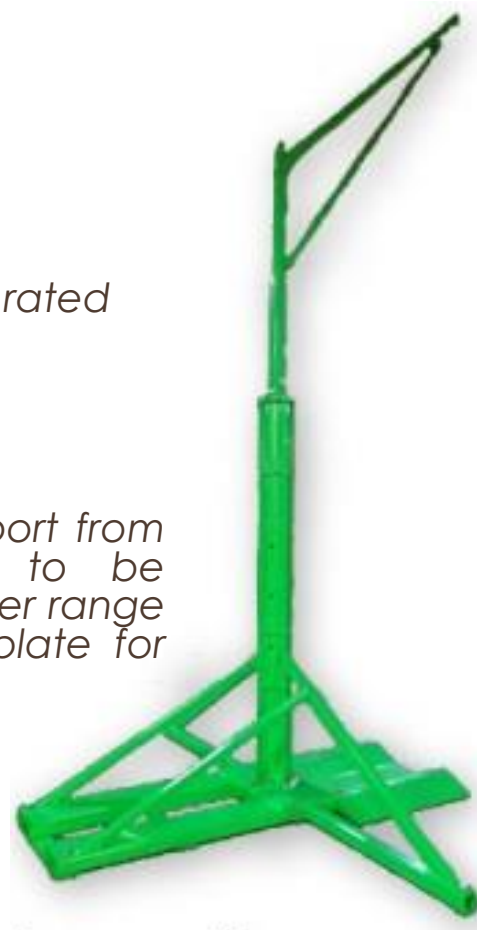
## Grabber-RMT 22

Max. Height (Extended):	22 ft. (26 ft. available)	Minimum Height (Extended):	18 ft.
Max. Height (Folded):	8 ft. 4 in.	Reach:	6 ft. 6 in.
Base Max. Width (Extended):	10 ft.	Base Width (Non-Extended):	7 ft. 9 in.
Front Wheels:	(2) 31 in. road-grade tires	Rear Wheel:	(1) 16 in. Solid Rubber w/ Brake
Total Weight w/ Counterweights:	2900 lbs.	Total Weight w/o Counterweights:	1700 lbs.
Total Counterweight:	1200 lbs., (48) 25-lbs. Plates	MAF:	5000 lbs.
Anchor Point Capacity:	310 lbs.	Maximum Towing Speed:	60 MPH



# RotoGrabber

- The Roto Grabber is a light, easily maneuverable piece of fall restraint equipment. The one-worker tie-off has a full-swivel anchorage point.
- Single-Point Tie-off Anchor.
- 310 lb. anchor point capacity.
- Adjustable height from 17 ft. to 22 ft.
- 5000 lbs.-rated swivel anchor point (Maintains 100% of rated capacity).
- [4] 1200 lbs. Counterweights standard.
- The unit has rear and side fork lift pockets for transport from hazard to hazard, without requiring the unit to be disassembled. Counterweights are standard for a wider range of applications, but does have an optional truck plate for vehicle counter-stability.





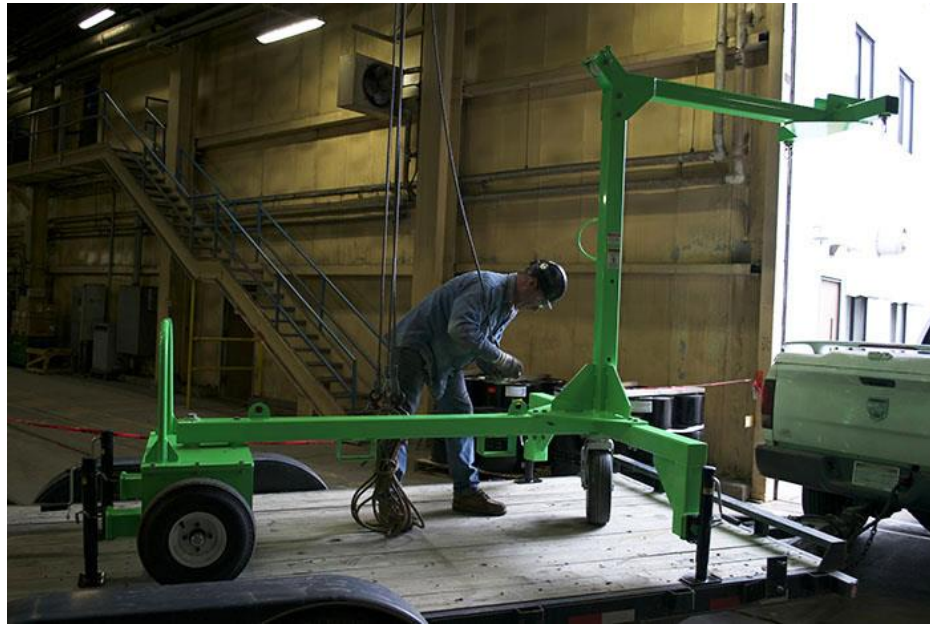
# Mini RotoGrabber

- The Mini Roto Grabber is a light, easily maneuverable piece of fall restraint equipment. The one-worker tie-off has a full-swivel anchorage point.
- 180-degree rotational boom. Single-Point Tie-off Anchor, 310 lb. anchor point capacity, 7 ft. in height and a 4 ft 6 in. reach, 9 ft. work radius.
- 5000 lbs.-rated swivel anchor point (Maintains 100% of rated capacity)
- Mount on vehicle or work surface.



# MiniGrabber

- The Mini Grabber is a versatile piece of Leading-Edge fall protection. Equipped with dual anchor points, and easily transported by fork-lift, hand-tow, or hoisting (the unit only weighs 1100 lbs.), the Mini Grabber can cover a variety of hazards. Counterweighted, this unit is an ideal solution when a non-penetrating tie-off is required.
- The unit is free-standing and non-penetrating, allowing for a compact system that is ready to use immediately after set-up.





# MiniGrabber

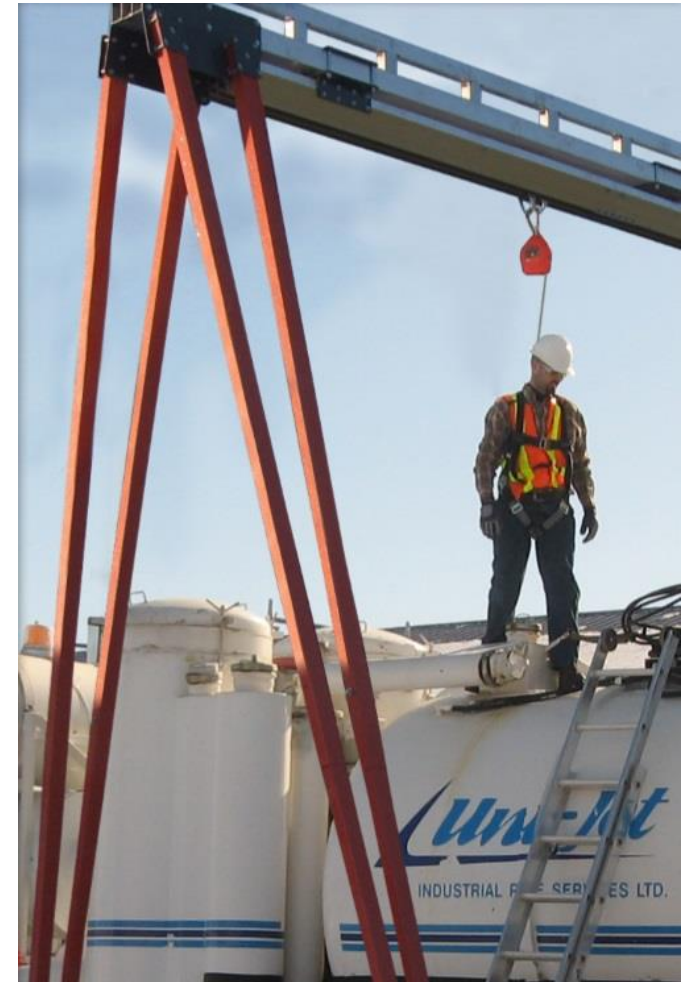
- The unit is designed to support two (2) workers, and the mast can rotate from the 90\* position to a 22.5\* or 45\* locked position.
- The Mini Grabber can also be equipped with our 65' 3-way rescue retractable winch for confined space and rescue & retrieval (OPTIONAL).





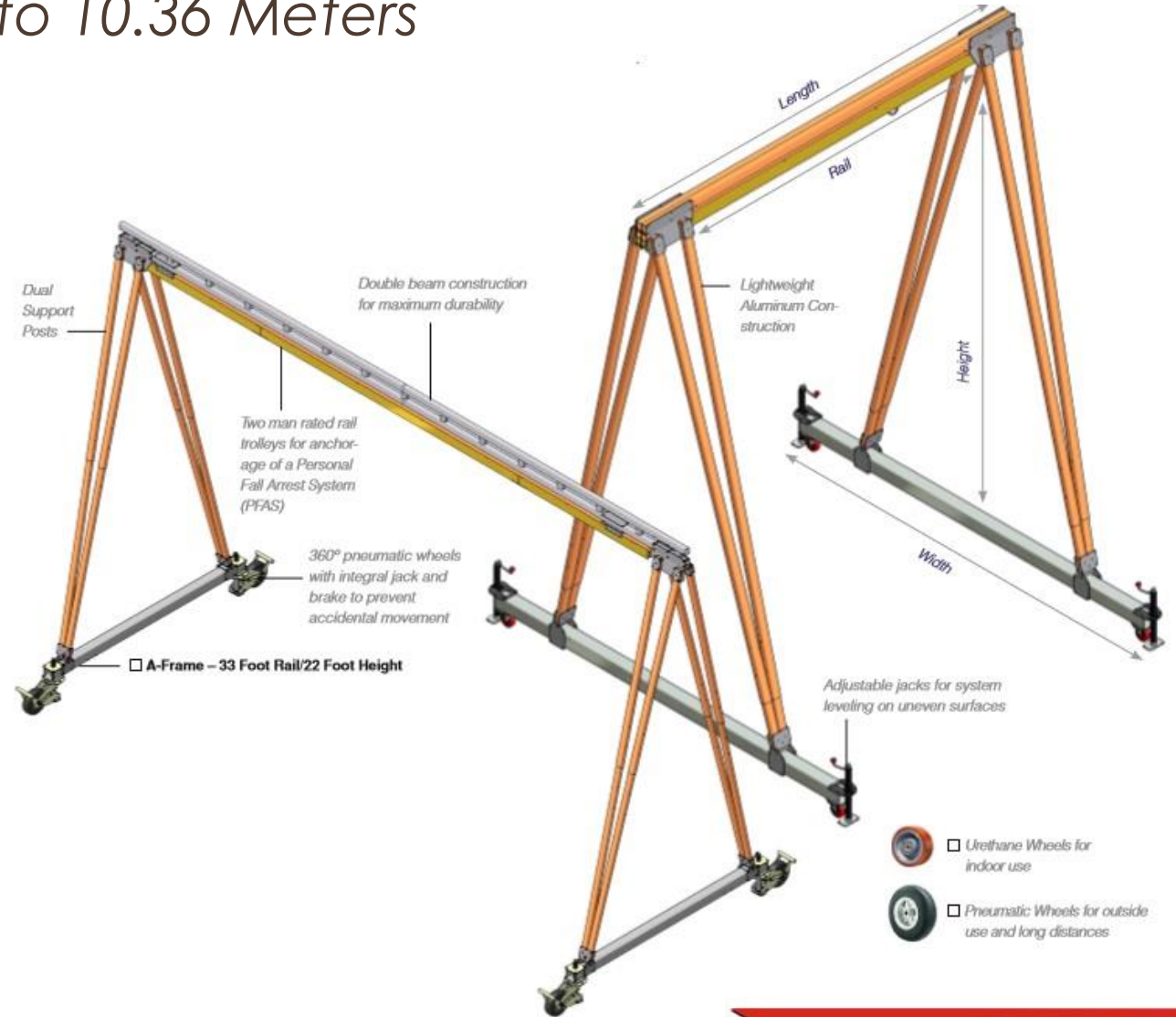
# “A” Frame

- “A” Frames can provide a Mobile Certified Anchorage Point for One (1) or Two (2) users working on elevated work surfaces.
- Urethane or Pneumatic Foam-filled Tires.
- Made of High Strength Aeronautical Grade Structural Aluminium Light to be moved easy and Rough to withstand tough environments.
- Meets and exceeds applicable OSHA & ANSI regulations.



# "A" Frame

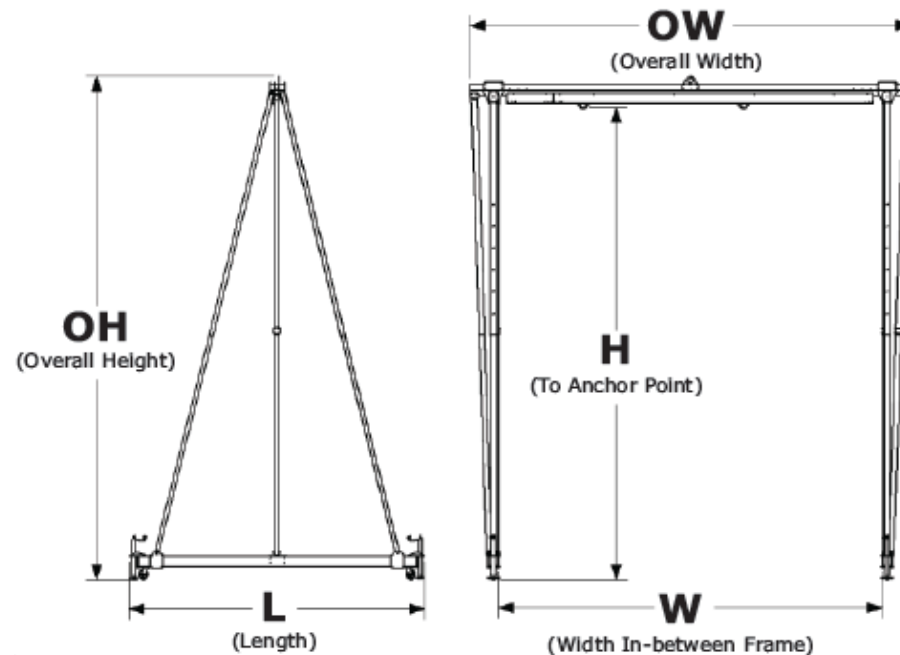
- Available with a width of up to 10.36 Meters



# "A" Frame

## A-Frames

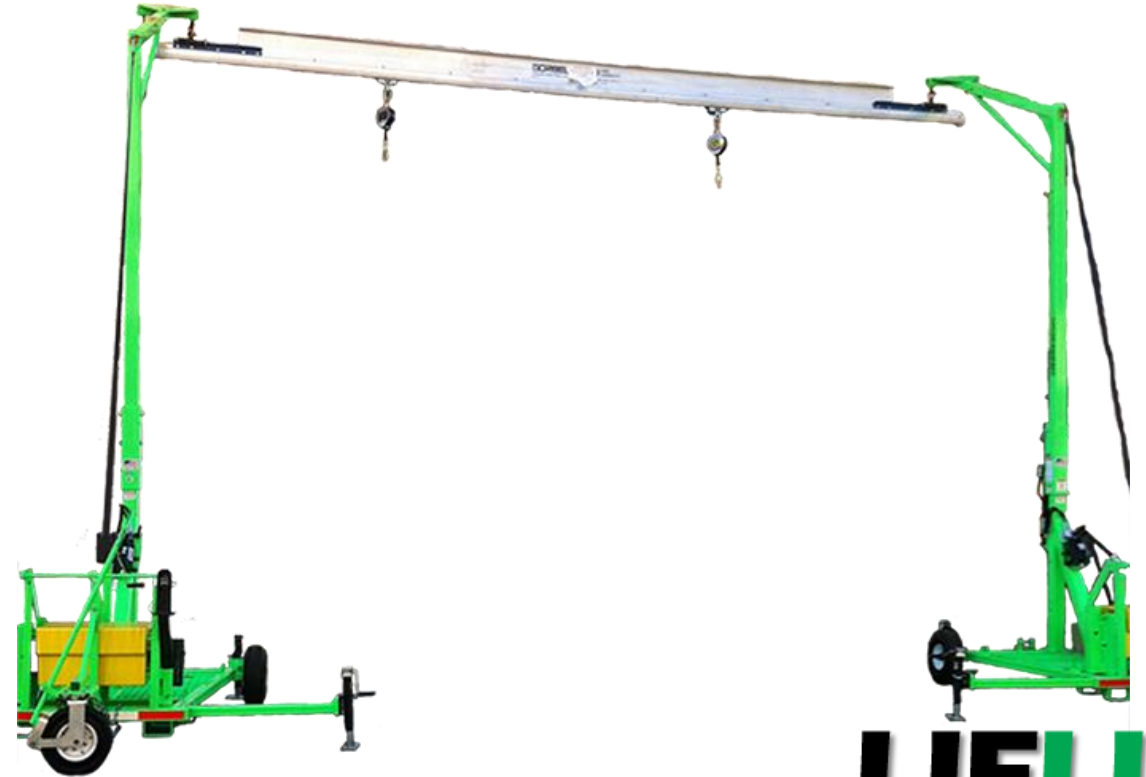
Part#	Model	W	H	OH	L	OW	Wheels	Weight (Lbs/Kgs, Est.)
70010	A-Frame, 19W-23H-1R-2A-U	19'-2"	23'-7"	25'-2"	13'-11"	22'-0"	Urethane	1115 / 505
70011	A-Frame, 12W-20H-1R-1A-U	12'-0"	20'-7"	21'-9"	14'-0"	16'-0"	Urethane	925 / 421
70024	A-Frame, 34W-32H-1R-1A-P	34'-8"	32'-0"	34'-0"	20'-0"	38'-0"	Pneumatic	1400 / 637
70037	A-Frame, 33.5W-22H-1R-2A-U	33'-6"	22'-0"	23'-11"	14'-9"	36'-9"	Urethane	1000 / 455





# Grabber "I" Beam

- The aluminum I-Beam mobile fall protection system is ideal for difficult jobs that require two workers to be secure at the same time. With one or two workers protected, the I-Beam system allows for easy lateral movement without the worry for lack of coverage.
- The unit was designed to exceed OSHA and ANSI standards.



# Grabber "I" Beam

- The two (2) fall protection units that comprise the I-Beam system, may be used independently for single OSHA and ANSI compliance needs.
- The system consists of an I-Beam, two (2) trolleys and four (4) retractables. The I-Beam is available in a 20 ft. beam (AL-20) or a 25 ft. beam (AL25).
- All units come standard with two (2) retractable lanyards and provided set-up and safety instructions.



# Single Point Anchor

- *Single Point Anchor provides a safe way to work on elevated surfaces for one (1) or two (2) users.*
- *Available in Heights of 24' (7.32 Meters), 22' (6.70 Meters), 20' (6.10 Meters), 18' (5.49 Meters).*
- *Made of High Strength Aeronautical Grade Structural Aluminium Light to be moved easy and Rough to withstand tough environments.*
- *Meets and exceeds applicable OSHA & ANSI regulations.*





# Single Point Anchor



**Anclaje Sencillo Portatil Remolcable.**

Disponible en:

24'  22'  20'

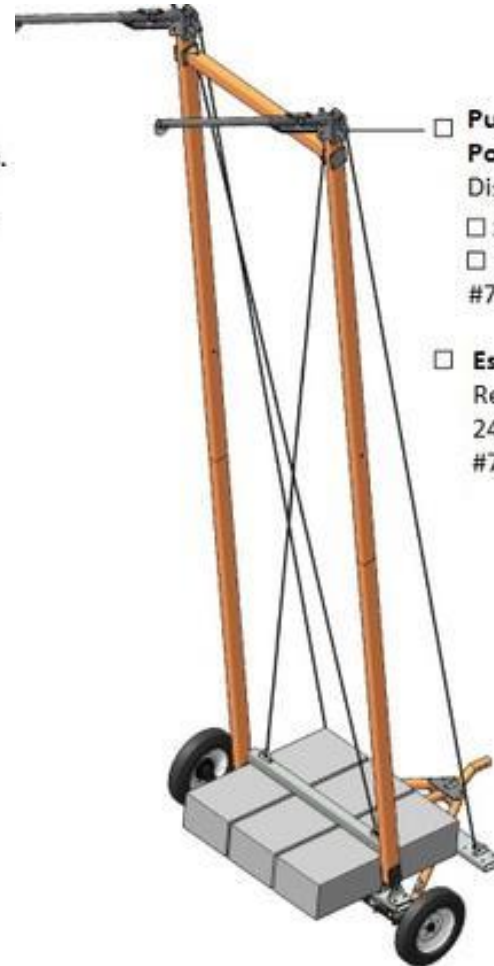
18'  16'

#70021

**Estabilizadores Opcionales.**

Requeridos a partir de las alturas de 24', 22', 20 Pies

#70028



**Punto de Anclaje Dual Portatil.**

Disponible en:

24'  22'  20'

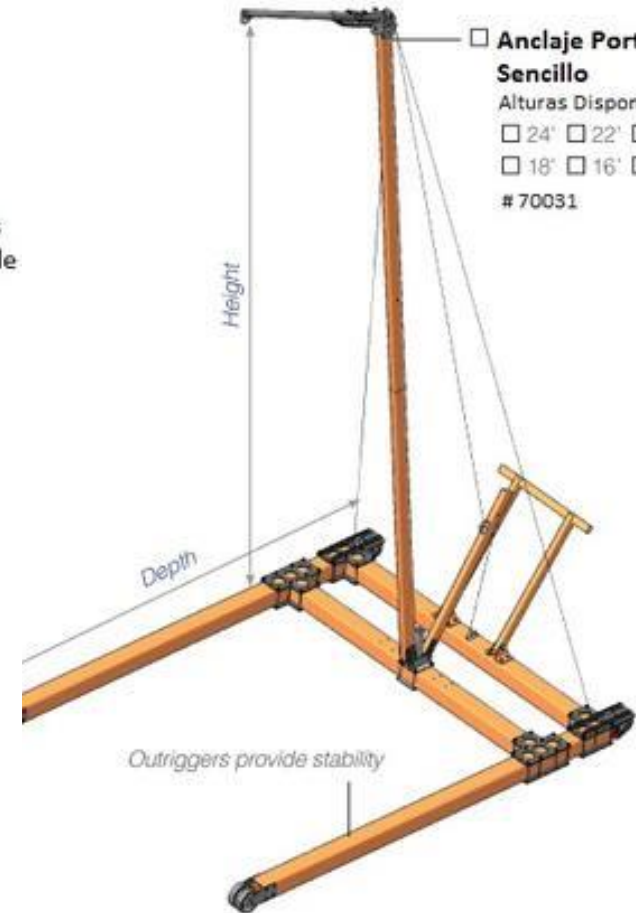
18'  16'

#70023

**Estabilizadores Opcionales**

Requerido por los equipos de 24', 22', 20".

#70028



**Anclaje Portatil Sencillo**

Alturas Disponibles

24'  22'  20'

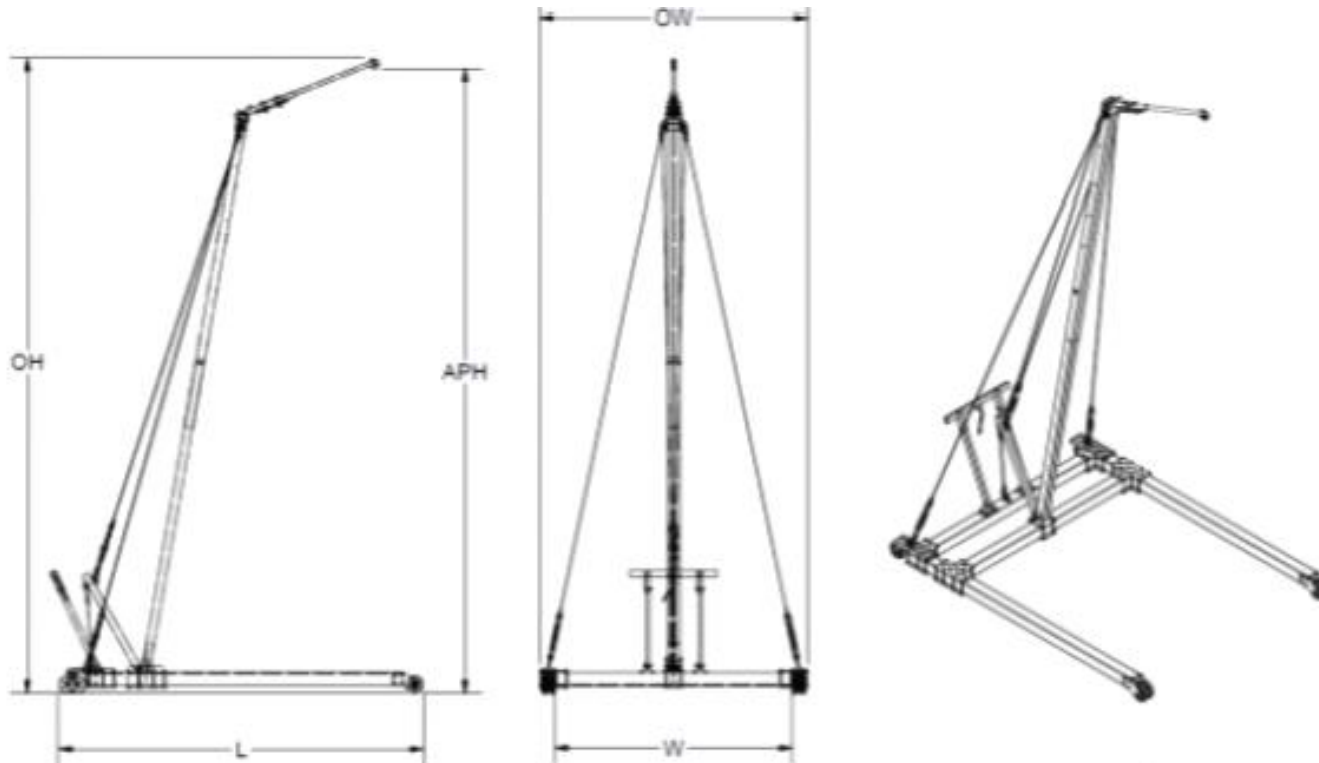
18'  16'  12'-6"

# 70031

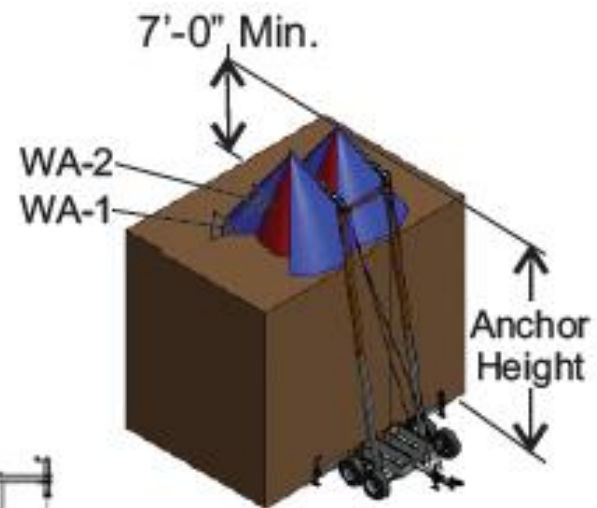
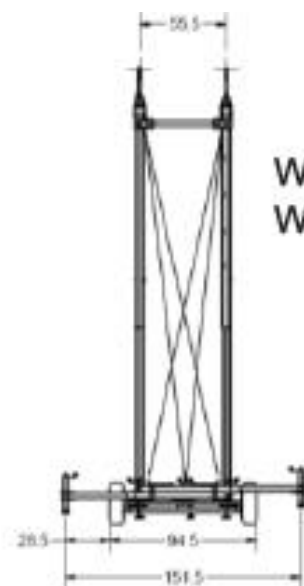
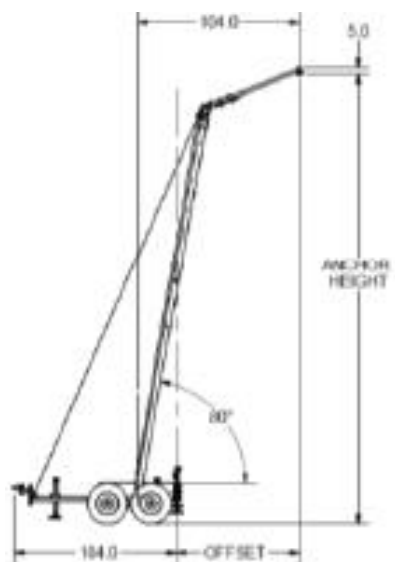
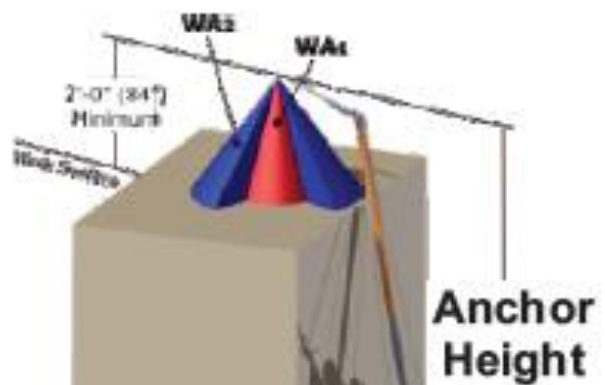
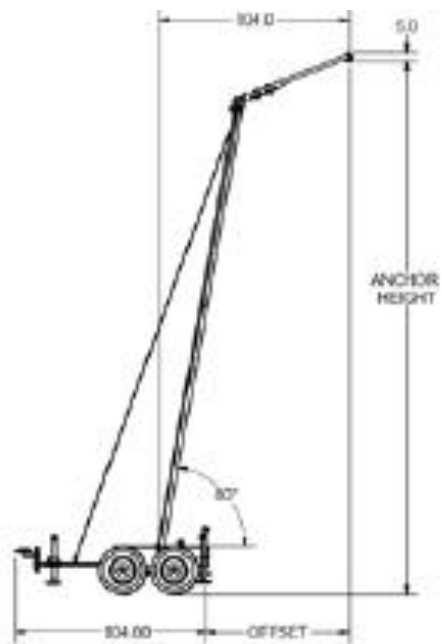


# Single Point Anchor

Part #	Model	W (width inside)	APH (Anchor Point Height)	OH (overall Height)	L (Length)	OW (overall width)	# of Anchors	Wheels	Weight (bs / kgs)
70039	SXS-Pro-3, 9W-16H-1A-U	9'-0"	16'-3"	16'-7 1/2"	13'-9 3/4"	10'-2"	1	Urethane	1100 / 500
70035	SXS Pro-3, 9W-18H-1A-U	9'-0"	18'-2"	18'-7"	13'-9 3/4"	10'-2"	1	Urethane	1100 / 500
70040	SXS Pro-3, 9W-20H-1A-U	9'-0"	19'-9"	20'-1"	13'-9 3/4"	10'-2"	1	Urethane	1100 / 500
70041	SXS Pro-3, 9W-22H-1A-U	9'-0"	21'-11 3/4"	22'-4 1/2"	13'-9 3/4"	10'-2"	1	Urethane	1100 / 500
70031	SXS Pro-3, 9W-24H-1A-U	9'-0"	23'-8 1/4"	24'-1"	13'-9 3/4"	10'-2"	1	Urethane	1100 / 500



# Single Point Anchor







Shield Fall Protection

Be Safe. Shield Yourself

**LIFLINE**

WHEN SAFETY MATTERS

**TUFF BUILT**  
PRODUCTS INC.

# MOBILE FALL PROTECTION EQUIPMENT CATALOGUE

*Please let us know any doubts or information requests you may have. You can write us at:*

[sales@shieldfallprotection.com](mailto:sales@shieldfallprotection.com)  
[ventas@shieldfallprotection.com](mailto:ventas@shieldfallprotection.com)

[www.shieldfallprotection.com](http://www.shieldfallprotection.com)  
[ventas@shieldfallprotection.com](mailto:ventas@shieldfallprotection.com)  
[sales@shieldfallprotection.com](mailto:sales@shieldfallprotection.com)