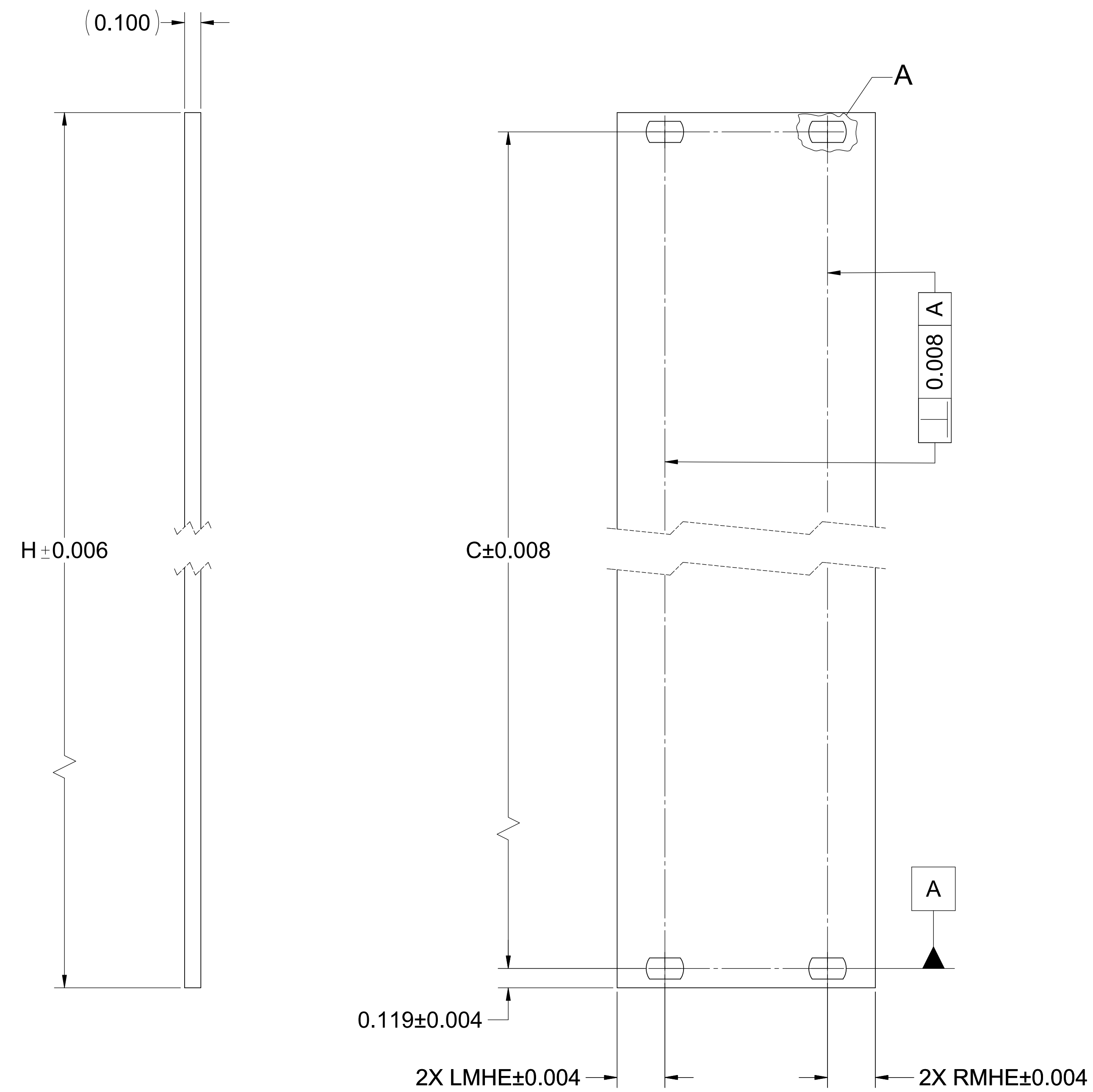
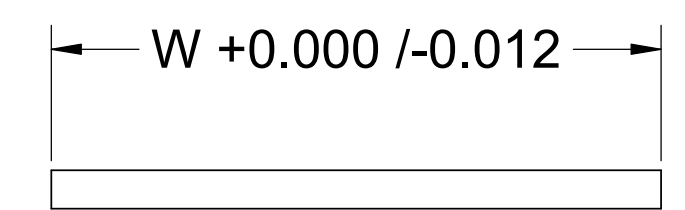
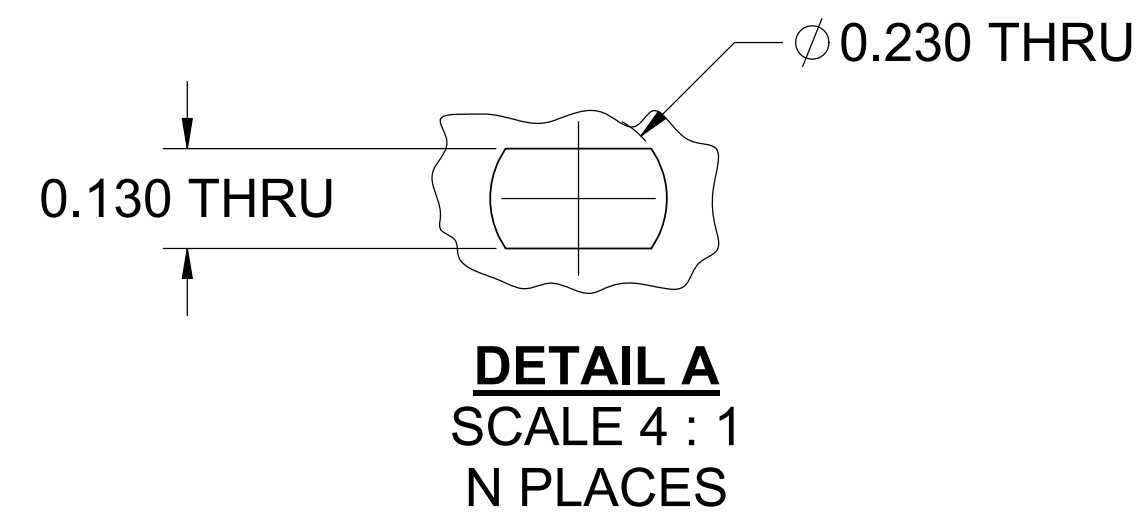
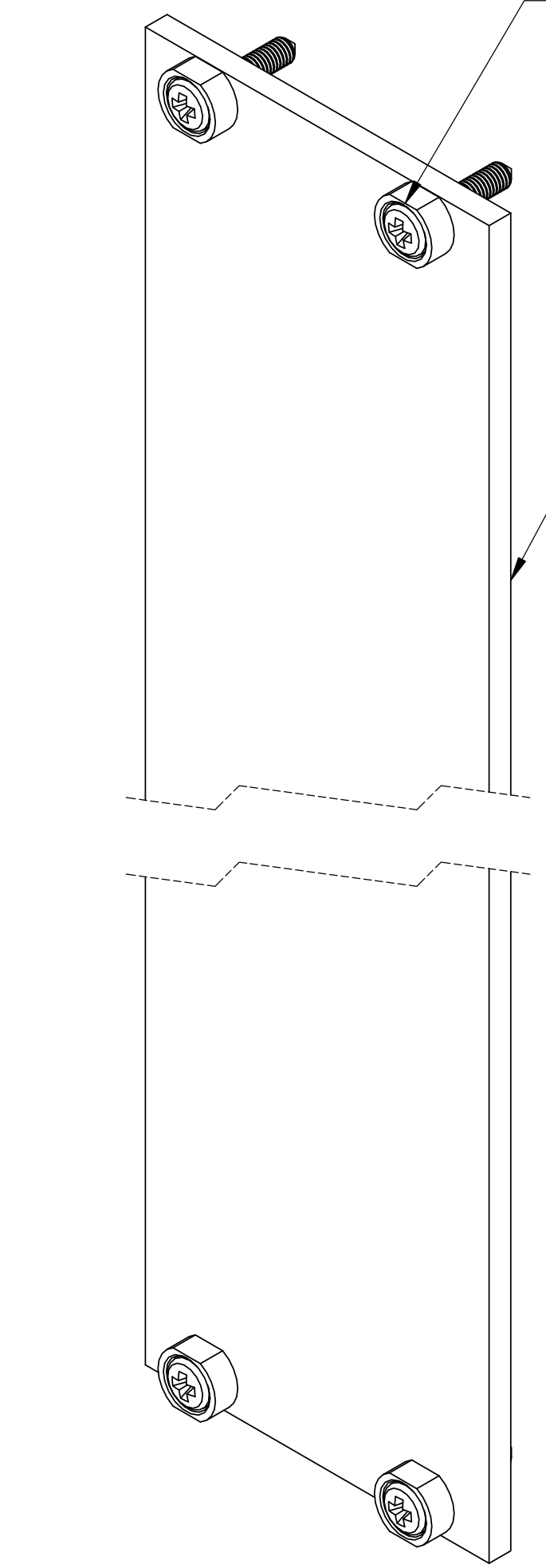


PROPRIETARY AND CONFIDENTIAL
 THE INFORMATION CONTAINED IN THIS DRAWING IS THE SOLE PROPERTY OF VECTOR
 ELECTRONICS & TECH., INC. ANY REPRODUCTION IN PART OR AS A WHOLE WITHOUT
 THE WRITTEN PERMISSION OF VECTOR ELECTRONICS & TECH., INC. IS PROHIBITED.

REVISIONS				
ZONE	REV	DESCRIPTION	DATE	APPROVED
ALL	A	REDRAWN	05/04/12	
	B	ADDED 4UX10HP P/N : 5241310-07	04/06/16	
	C	ADDED 6UX6HP P/N : 5261306-07 AND 3UX6HP P/N : 5231306-07	09/16/16	
	D	ADDED 3U X 3HP P/N : 5231303-07	07/18/17	
	E	ADDED 6U X 10HP P/N : 5261310-07	07/21/17	
	F	ADDED 3U X 7HP P/N : 5231307-07	10/17/17	



RETAINER SLEEVE, POLYAMIDE, BLACK, 94300008
 M2.5 X 0.45 X 11mm CAPTIVE SCREW, STEEL, 95000002B
 (NX)

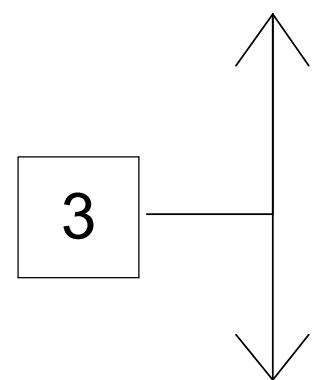


ASSY PART NO	DESCRIPTION	HEIGHT "H"	WIDTH "W"	CENTER "C"	LEFT MOUNTING HOLE "LMHE"	RIGHT MOUNTING HOLE "RMHE"	PLACES "N"
5231303-07	3U X 3HP	5.060	0.588	4.823	0.294	-	2
5231304-07	3U X 4HP	5.060	0.788	4.823	0.294	-	2
5231306-07	3U X 6HP	5.060	1.188	4.823	0.294	0.294	4
5231307-07	3U X 7HP	5.060	1.388	4.823	0.294	0.294	4
5231308-07	3U X 8HP	5.060	1.588	4.823	0.294	0.294	4
5231312-07	3U X 12HP	5.060	2.388	4.823	0.294	0.294	4
5231342-07	3U X 42HP	5.060	8.388	4.823	0.294	0.294	4
5241310-07	4U X 10HP	6.810	1.988	6.573	0.294	0.294	4
5261304-07	6U X 4HP	10.310	0.788	10.073	0.294	-	2
5261306-07	6U X 6HP	10.310	1.188	10.073	0.294	-	2
5261308-07	6U X 8HP	10.310	1.588	10.073	0.294	0.294	4
5261310-07	6U X 10HP	10.310	1.988	10.073	0.294	0.294	4
5261312-07	6U X 12HP	10.310	2.388	10.073	0.294	0.294	4
5261324-07	6U X 24HP	10.310	4.788	10.073	0.294	0.294	4
5291304-07	9U X 4HP	15.560	0.788	15.323	0.294	-	2
5291308-07	9U X 8HP	15.560	1.588	15.323	0.294	0.294	4
5291312-07	9U X 12HP	15.560	2.388	15.323	0.294	0.294	4

FILLER PANEL DETAIL

4. FINISH : CLEAR CHEM FILM, IAW MIL-DTL-5541, CLASS 3, TYPE II
3. LIGHT GRAIN FRONT & BACK SURFACE IN DIRECTION SHOWN USING 180 GRIT
2. MATERIAL : ALUMINUM ALLOY 6061-T6, 0.100 THICK
MAKE FROM P/N # 0030-55-48B
1. REMOVE ALL BURRS, SHARP EDGES & SURFACE SCRATCHES

NOTES : UNLESS OTHERWISE SPECIFIED



UNLESS OTHERWISE SPECIFIED	
DIMENSIONS ARE IN INCHES	
TOLERANCES:	
DEC X.X	±0.1
DEC X.XX	±0.03
DEC X.XXX	±0.010
FRACTIONS	±0.050
ANGLES	±1°
GD & T :	ASME Y14.5-2009
MATERIAL	2
FINISH	4

APPROVALS	NAME	DATE
DRAWN	TRUSHAR	05/04/12
CHECKED		
ENGINEER		
QA		

VECTOR 11115 VANOWEN ST., NORTH HOLLYWOOD, CA 91605
 ELECTRONICS & TECHNOLOGY, INC. www.vectorelect.com

3U, 6U, 9U NON EMC FILLER PANEL

SIZE D DWG. NO. 52RU304-HP REV F

SCALE: 2:1 CAGE CODE: 82893 SHEET 1 OF 1

