

HOPE DINING HALL

UNIVERSITY OF RHODE ISLAND

KINGSTON, RHODE ISLAND

ARCHITECT: VISION 3 ARCHITECTS

GLAZING CONTRACTOR:

SHOP DRAWING APPROVAL	
BY:	
DATE:	04/10/06
<input type="checkbox"/> - APPROVED	
<input type="checkbox"/> - APPROVED AS NOTED	
<input type="checkbox"/> - REVISE AND RESUBMIT	

PRODUCT SCHEDULE
WINDOWS
STOREFRONT
VISTAWALL SERIES 2000 STOREFRONT - TYPE #2 FINISH
VISTAWALL SERIES 2000 DOOR FRAMING - TYPE #2 FINISH
CURTAIN WALL
VISTAWALL SERIES HP1750 SYSTEM - TYPE #1 FINISH
ENTRANCE
VISTAWALL SERIES 500 WIDE STILE DOORS - FINISH AS REQUIRED
PANELS
4MM. COMPOSITE PANEL
COLOR TO BE: TYPE #1 FINISH (TO MATCH STOREFRONT)
OTHER PRODUCTS
BRAKE METAL:
- .063 " BRAKE METAL TYPE #1 FINISH (TO MATCH STOREFRONT)
FINISH
TYPE #1 - .7 MILL.CLASS I CLEAR ANNODIZED
TYPE #2 - .4 MILL.CLASS II CLEAR ANNODIZED
SEALANT
TYPE #1 - TREMCO DYMONIC (ANNODIZED ALUMINUM)
TYPE #2 - TREMCO SPECTREM 2 ALUMINUM

DOOR HARDWARE SCHEDULE
HARDWARE SET #1
REFER TO ELEVATIONS FOR HARDWARE SCHEDULES
HARDWARE SET #2
HARDWARE SET #3
HARDWARE SET #4

GLAZING SCHEDULE
GLAZING TYPE 1
1" TINTED ANNEALED INSULATED GLASS w/LOW E (1/4" TINTED ANNEALED x 1/2" AIR SPACE x 1/4" CLEAR ANNEALED - LOW E ON #2 SURFACE)
GLASS PROPERTIES:
VISIBLE LIGHT TRANS.: 47%
WINTER U-VALUE: .31
SUMMER U-VALUE: .28
SOLAR HEAT GAIN: .35
OUTDOOR REFLECTANCE: 11%
GLAZING TYPE 2
1" TINTED TEMPERED INSULATED GLASS w/LOW E (1/4" TINTED TEMPERED x 1/2" AIR SPACE x 1/4" CLEAR TEMPERED - LOW E ON #2 SURFACE)
GLASS PROPERTIES:
VISIBLE LIGHT TRANS.: 47%
WINTER U-VALUE: .31
SUMMER U-VALUE: .28
SOLAR HEAT GAIN: .35
OUTDOOR REFLECTANCE: 11%
GLAZING TYPE 3
3/4" CLEAR TEMPERED
GLAZING TYPE 4
3/4" CLEAR TEMPERED
REFER TO GLAZING SUBMITTAL FOR SPECIFIC MFG.

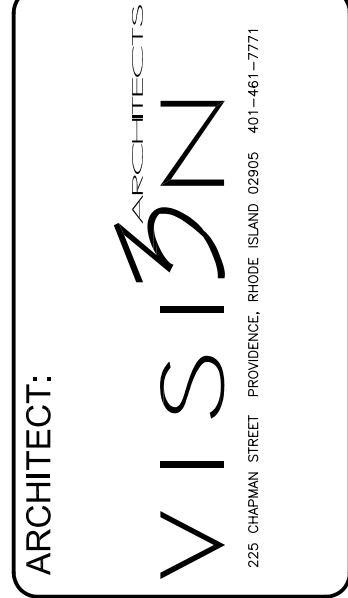
GENERAL NOTES
1. ALL DIMENSIONS AND CONDITIONS TO BE FIELD VERIFIED PRIOR TO FABRICATION.
2. ALL BLOCKING TO BE PROVIDED AND INSTALLED BY OTHERS.
3. ALL FASTENERS ARE TO BE LOCATED 6" FROM ENDS AND 18" O.C. TYPICAL.
ARCHITECT AND GENERAL CONTRACTOR PLEASE NOTE -
- PLEASE VERIFY THAT ALL HARDWARE LISTED AT ELEVATIONS ARE CORRECT.

DRAWING INDEX	
SHEET NO.	DESCRIPTION
C	COVER SHEET
FP1 - FP3	FLOOR PLANS
BE1	BUILDING ELEVATIONS
SE1 - SE8	STOREFRONT ELEVATIONS
SD1 - SD4	STOREFRONT DETAILS

WINDOW HARDWARE SCHEDULE
OPERATING
LOCKING
SCREENS
MISCELLANEOUS

REVISIONS:	DATE:	BY:
△ PER ARCHITECTS NOTES	04/10/06	GRI

GLAZING CONTRACTOR:

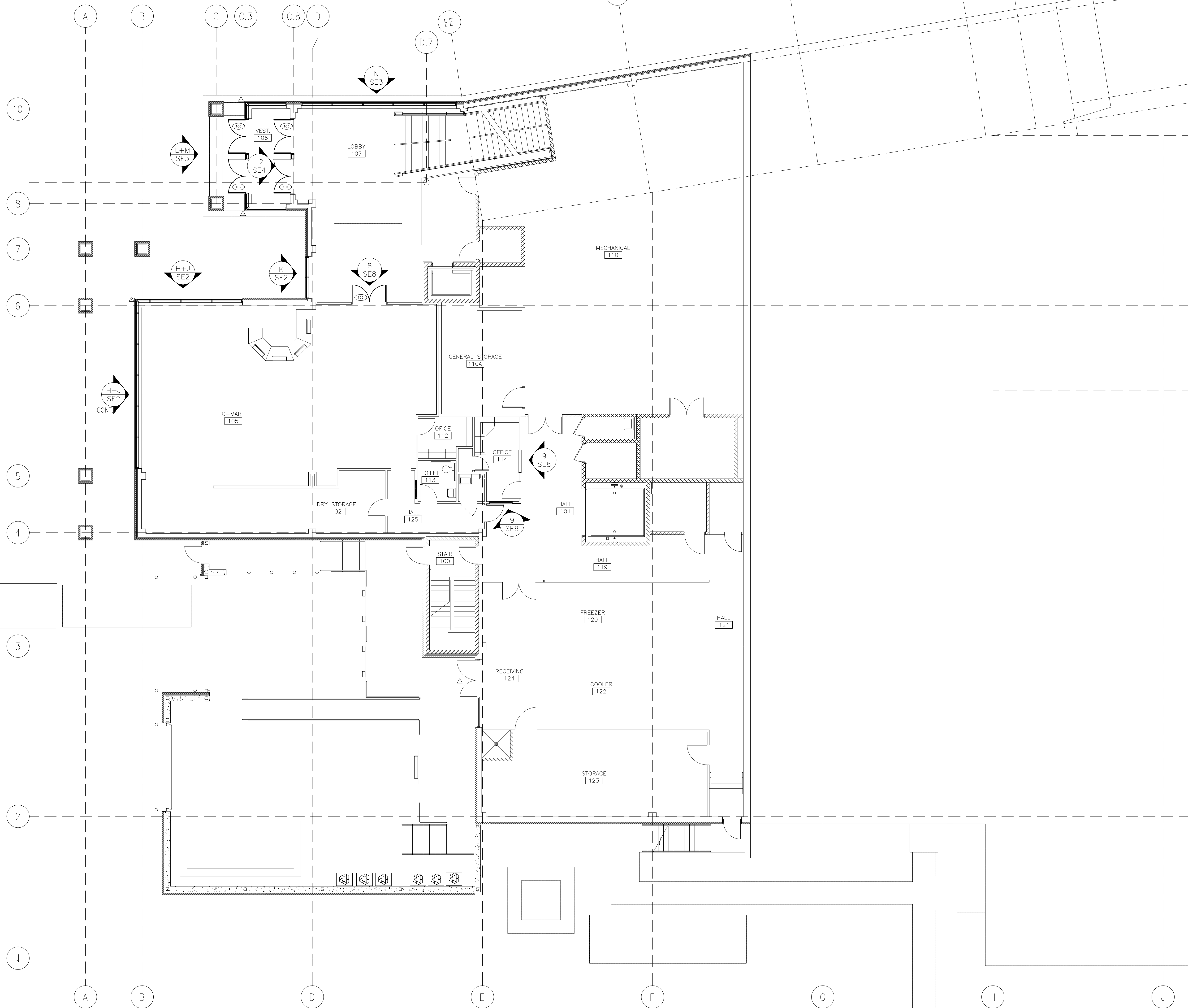
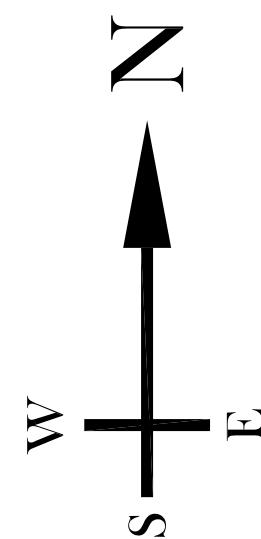


COVER SHEET
 PROJECT: HOPE DINING HALL
 LOCATION: UNIVERSITY OF RHODE ISLAND
 KINGSTON, RHODE ISLAND



SCALE: NONE
 DATE: 02.03.06
 PROJECT: GR06-0007A
 SHEET: C

1 GROUND FLOOR PLAN
 ARCH. REF.: A-1.1



REVISIONS:	DATE:	BY:
△ PER ARCHITECTS NOTES	04/10/06	GRI

GLAZING CONTRACTOR:

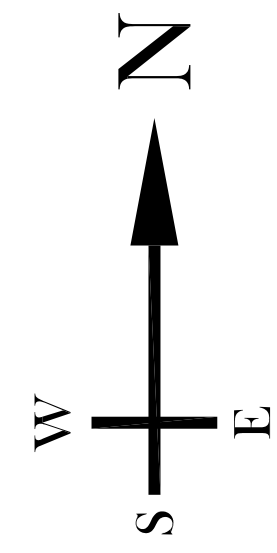
ARCHITECT:
VISION
251 DEDHAM STREET PROVIDENCE, RHODE ISLAND 02905 401-481-7771

FLOOR PLAN
 PROJECT: HOPE DINING HALL
 LOCATION: UNIVERSITY OF RHODE ISLAND
 KINGSTON, RHODE ISLAND

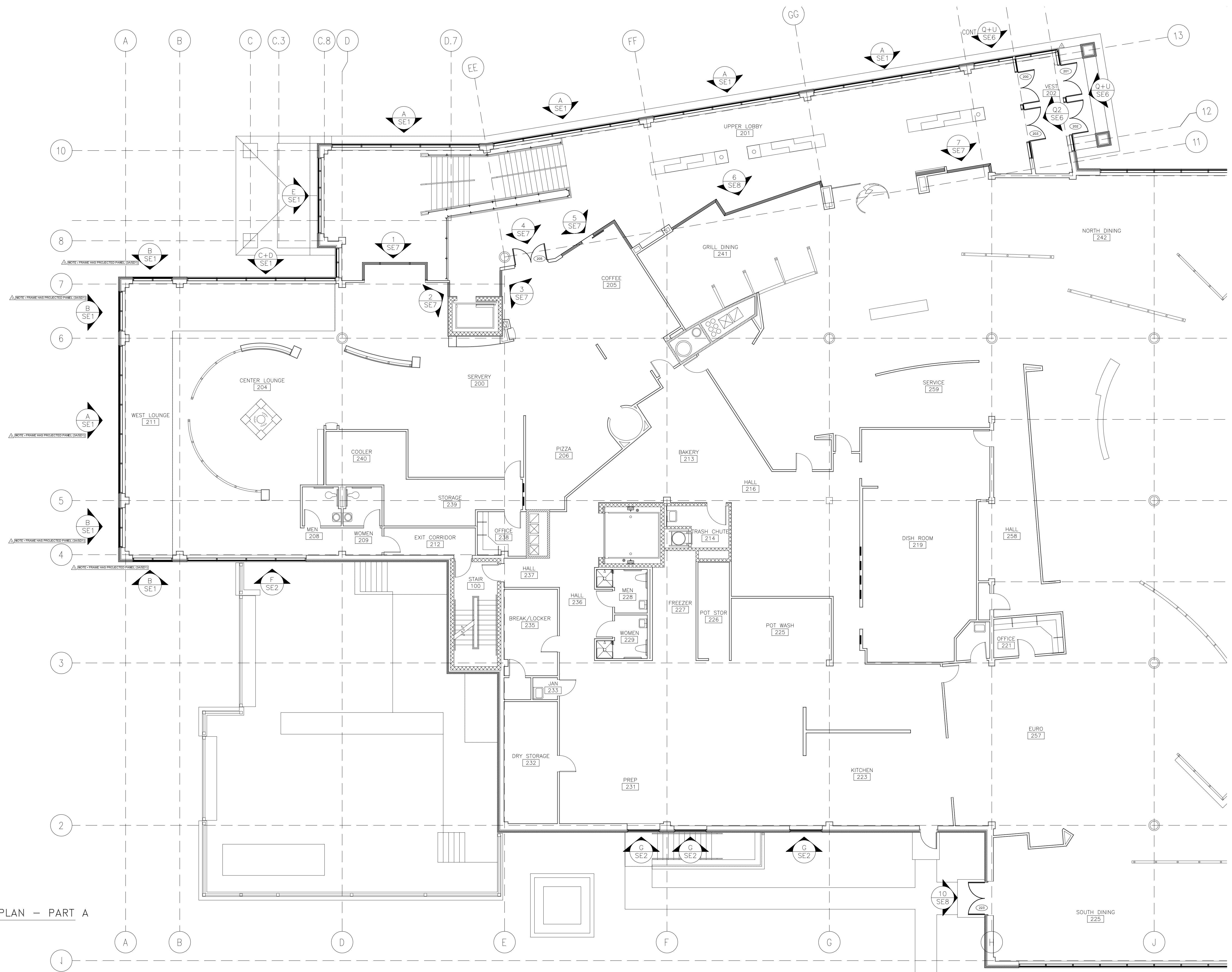
Glazier's Resource Inc.
New & Repair Glazing, Design and Drafting
 218 NORTH STATE ST. SUITE 105
 CONCORD, NH 03301-5322
 PH: 603.860.0186
 www.glaziersresource.com

SCALE:
 1/8" = 1'
 DATE:
 02.03.06
 PROJECT:
 GR06-0007A
 SHEET:

FP1



1 FIRST FLOOR PLAN - PART A
 ARCH. REF.: A-1.2



REVISIONS:	DATE:	BY:
△ PER ARCHITECT'S NOTES	04/10/06	GRI

GLAZING CONTRACTOR:

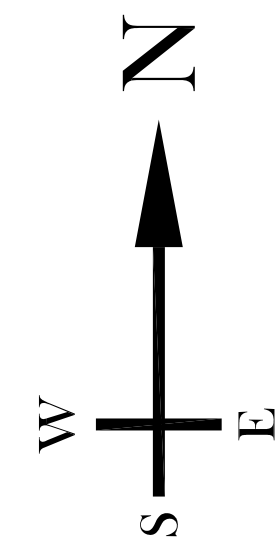
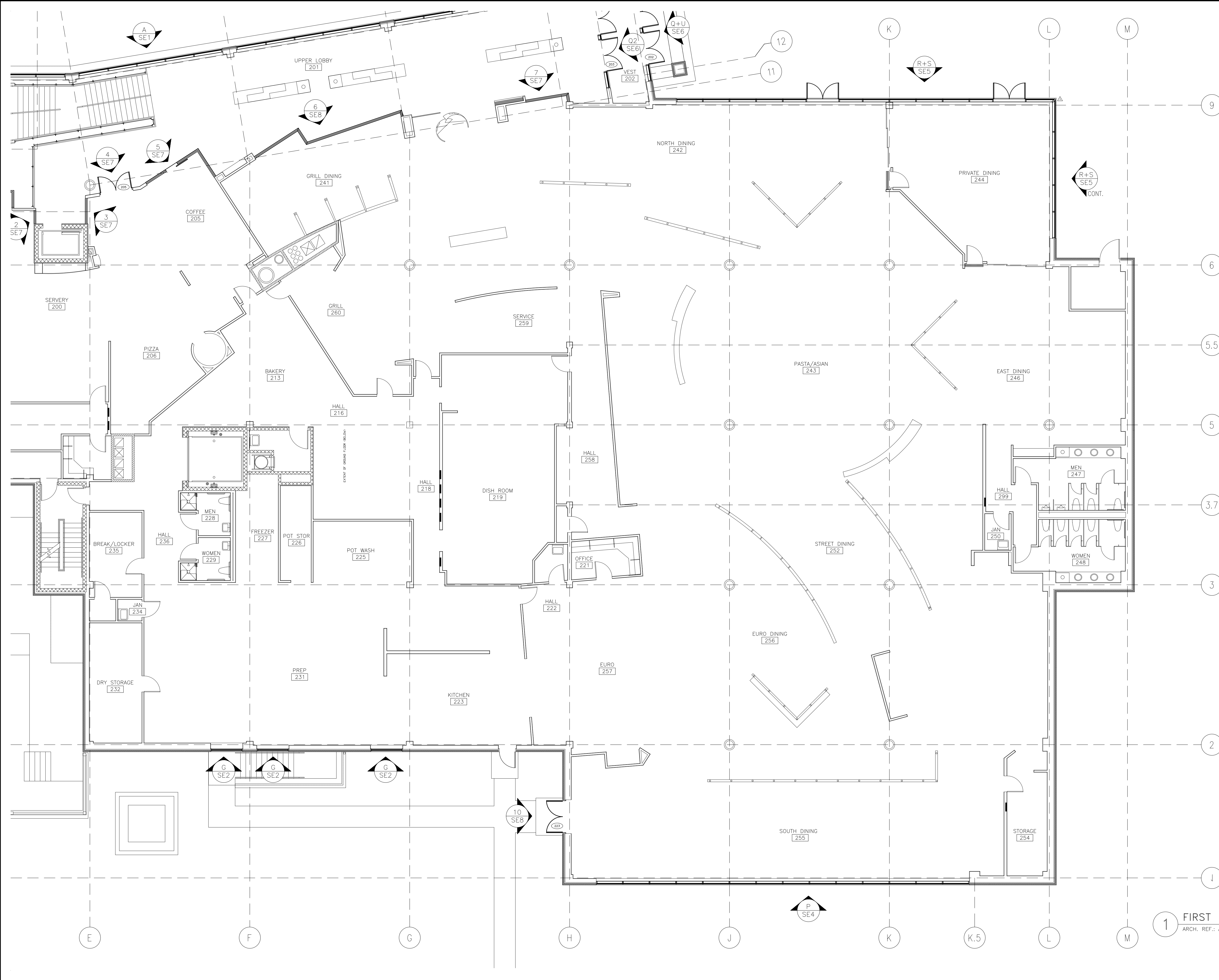
ARCHITECT:

VISION
 ARCHITECTS
 251 DEDHAM STREET, PROVIDENCE, RHODE ISLAND 02905 401-481-7771
 WWW.VISIONARCHITECTS.COM

FLOOR PLAN
 PROJECT: HOPE DINING HALL
 LOCATION: UNIVERSITY OF RHODE ISLAND
 KINGSTON, RHODE ISLAND

Glazier's Resource Inc.
 "Your Source for Glazing Design and Drafting"
 218 NORTH STATE STREET, SUITE 118
 CONCORD, NH 03301-5322
 TEL: 603.860.0186
 WWW.GLAZIERSRESOURCE.COM

SCALE: 1/8" = 1'
 DATE: 02.03.06
 PROJECT: GR06-0007A
 SHEET: **FP2**



1 FIRST FLOOR PLAN - PART B
ARCH. REF.: A-1.2

REVISIONS:	DATE:	BY:
△ PER ARCHITECTS NOTES	04/10/06	GRI

GLAZING CONTRACTOR:

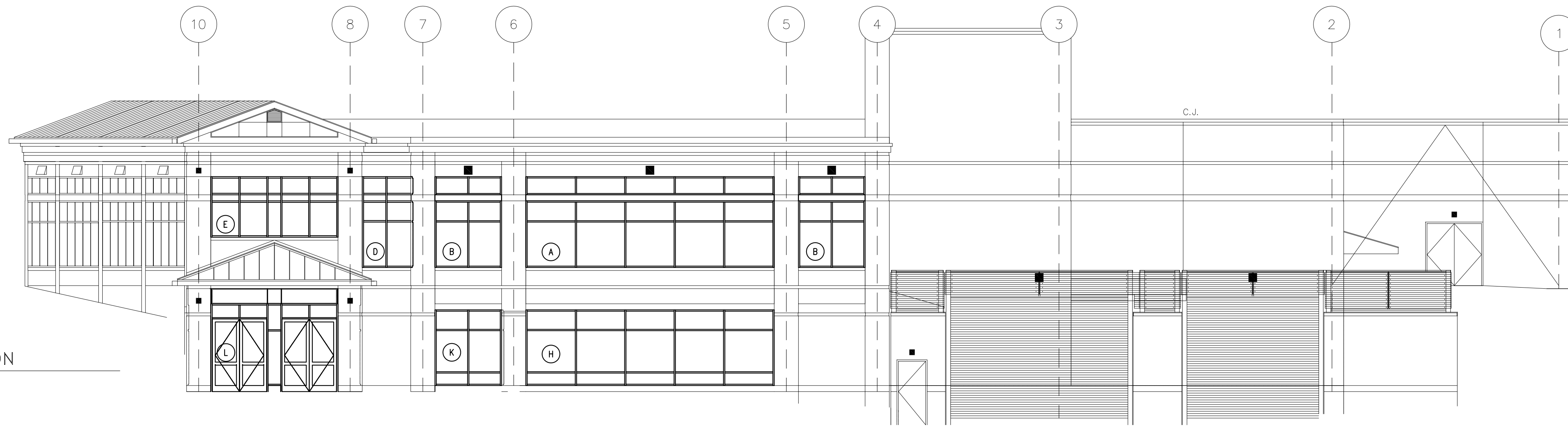
ARCHITECT:
VISION
251 DEDHAM STREET PROVIDENCE, RHODE ISLAND 02905 401-481-7771

FLOOR PLAN
PROJECT: HOPE DINING HALL
LOCATION: UNIVERSITY OF RHODE ISLAND
KINGSTON, RHODE ISLAND

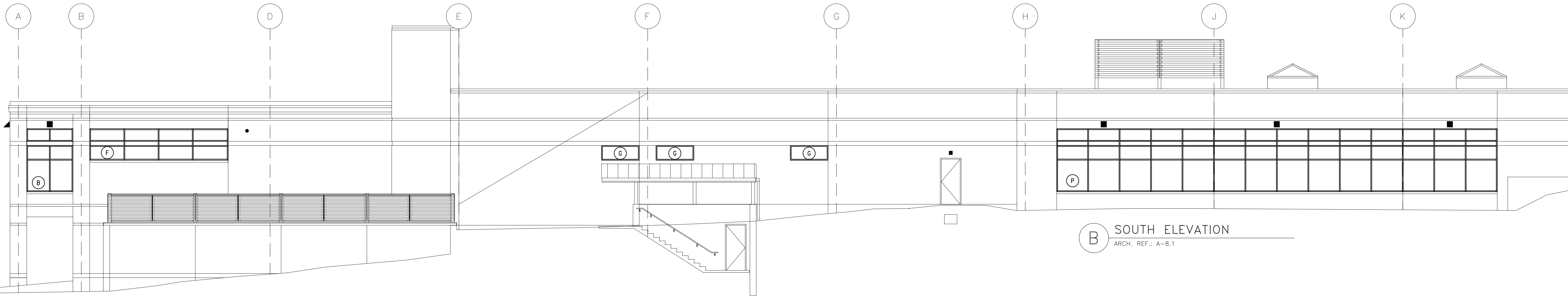
Glazier's Resource Inc.
New & Repair Glazing, Design and Drapery
218 NORTH STATE ST. SUITE 118
CONCORD, NH 03301-5322
PH: 603.860.0198
www.glaziersresource.com

SCALE:
1/8" = 1'
DATE:
02.03.06
PROJECT:
GR06-0007A
SHEET:
FP3

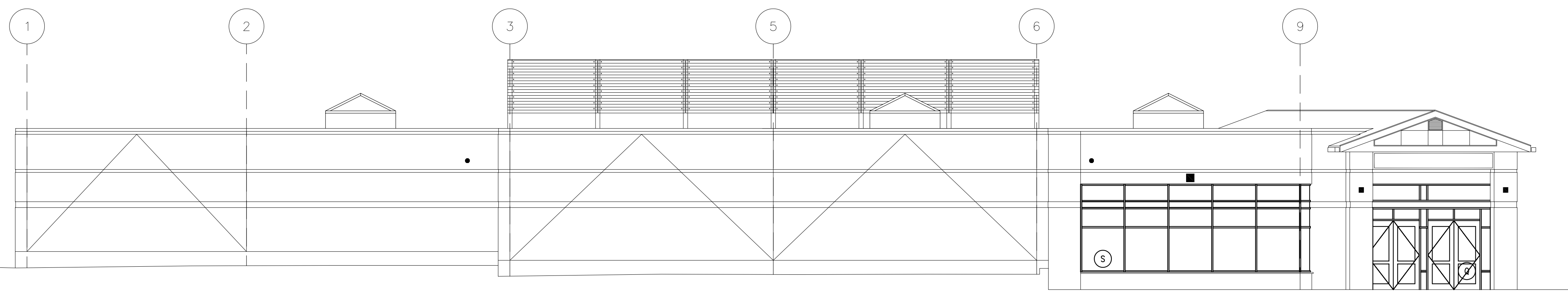
A WEST ELEVATION
ARCH. REF.: A-8.1



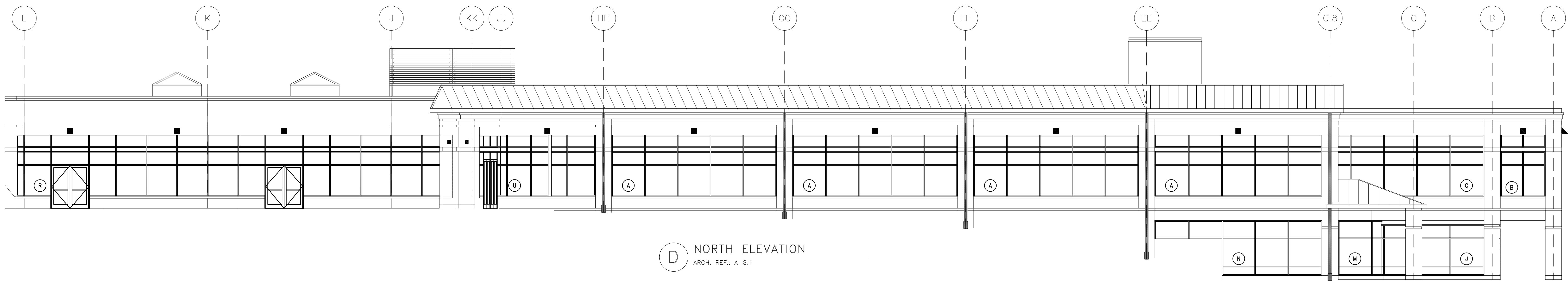
B SOUTH ELEVATION
ARCH. REF.: A-8.1



C EAST ELEVATION
ARCH. REF.: A-8.1



D NORTH ELEVATION
ARCH. REF.: A-8.1



REVISIONS:	BY:
△ PER ARCHITECTS NOTES	GRI
	DATE: 04/10/06

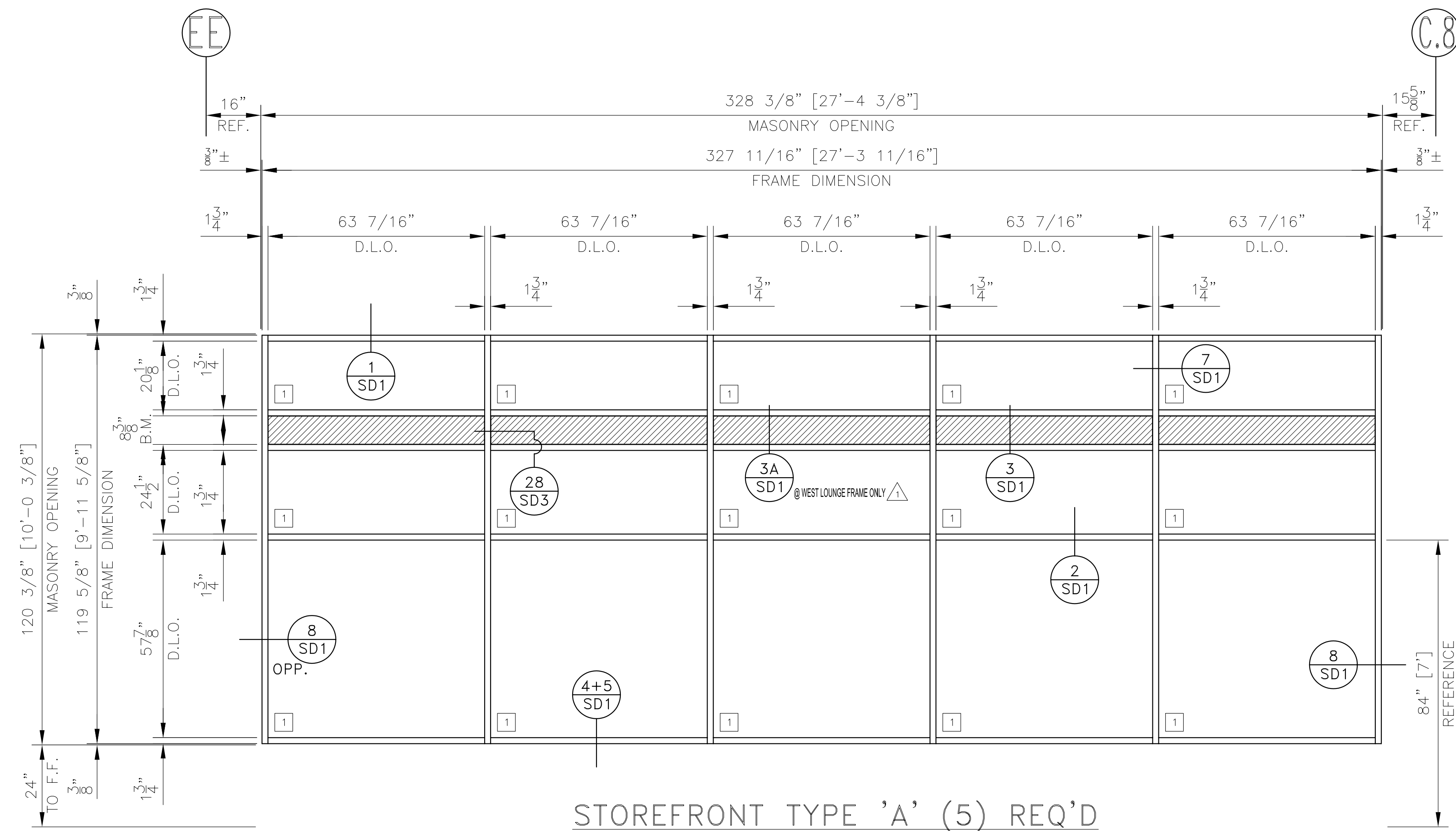
GLAZING CONTRACTOR:

ARCHITECT:
VISION
255 DEDHAM STREET PROVIDENCE, RHODE ISLAND 02905 401-481-7771

BUILDING ELEVATIONS
PROJECT: HOPE DINING HALL
LOCATION: UNIVERSITY OF RHODE ISLAND
KINGSTON, RHODE ISLAND

Glazier's Resource Inc.
"Your Source for Glazing Design and Drafting"
210 NORTH STATE ST., SUITE 101
CONCORD, NH 03301-5322
PH: 603.950.0198
www.glaziersresource.com

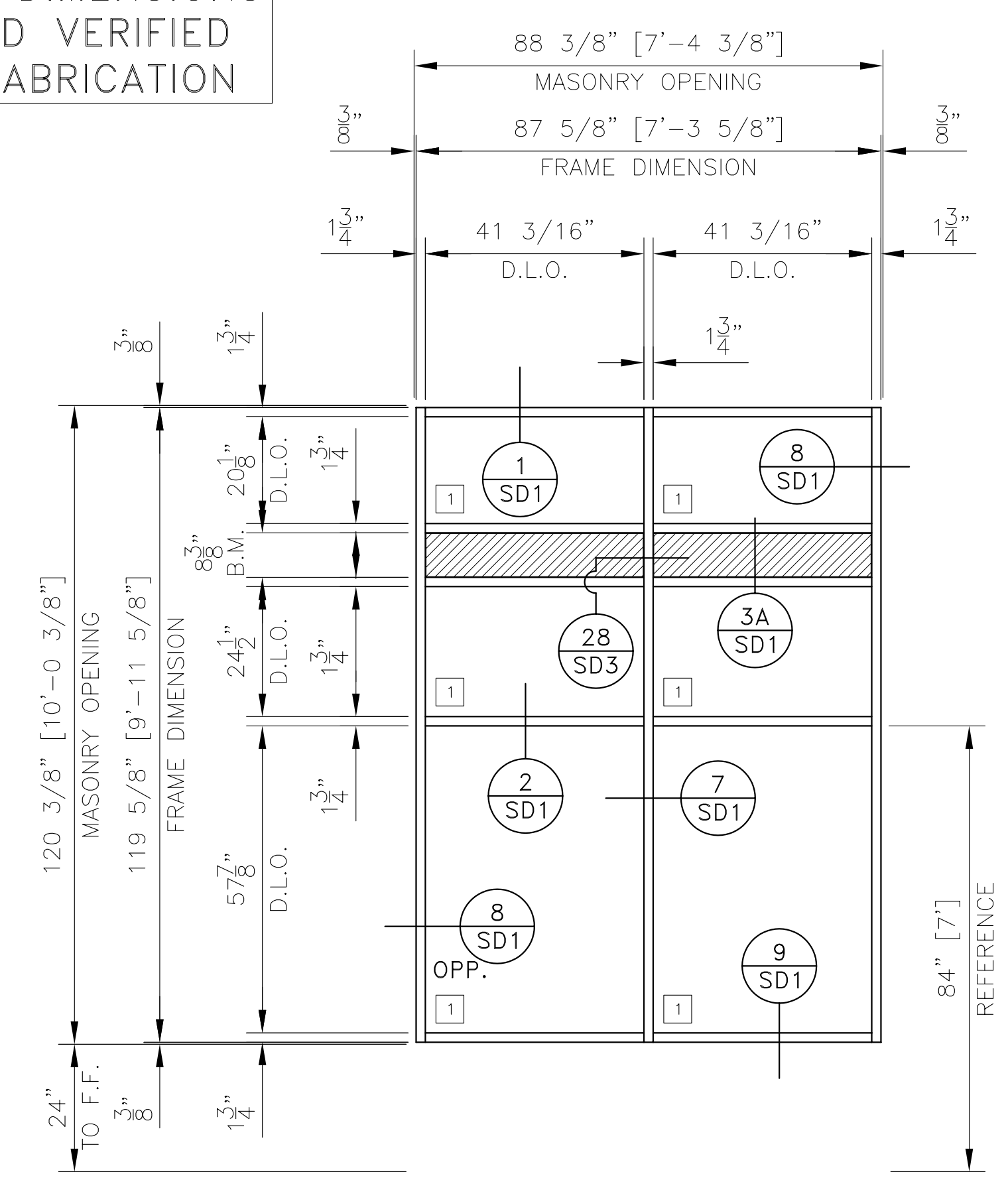
SCALE: 1/8" = 1'
DATE: 02.03.06
PROJECT: GR06-0007A
SHEET: **BE1**



STOREFRONT TYPE 'A' (5) REQ'D

SERIES: VISTAWALL HP1750 (1 3/4" x 6 3/4")
ARCHITECTURAL REF.: A13.3

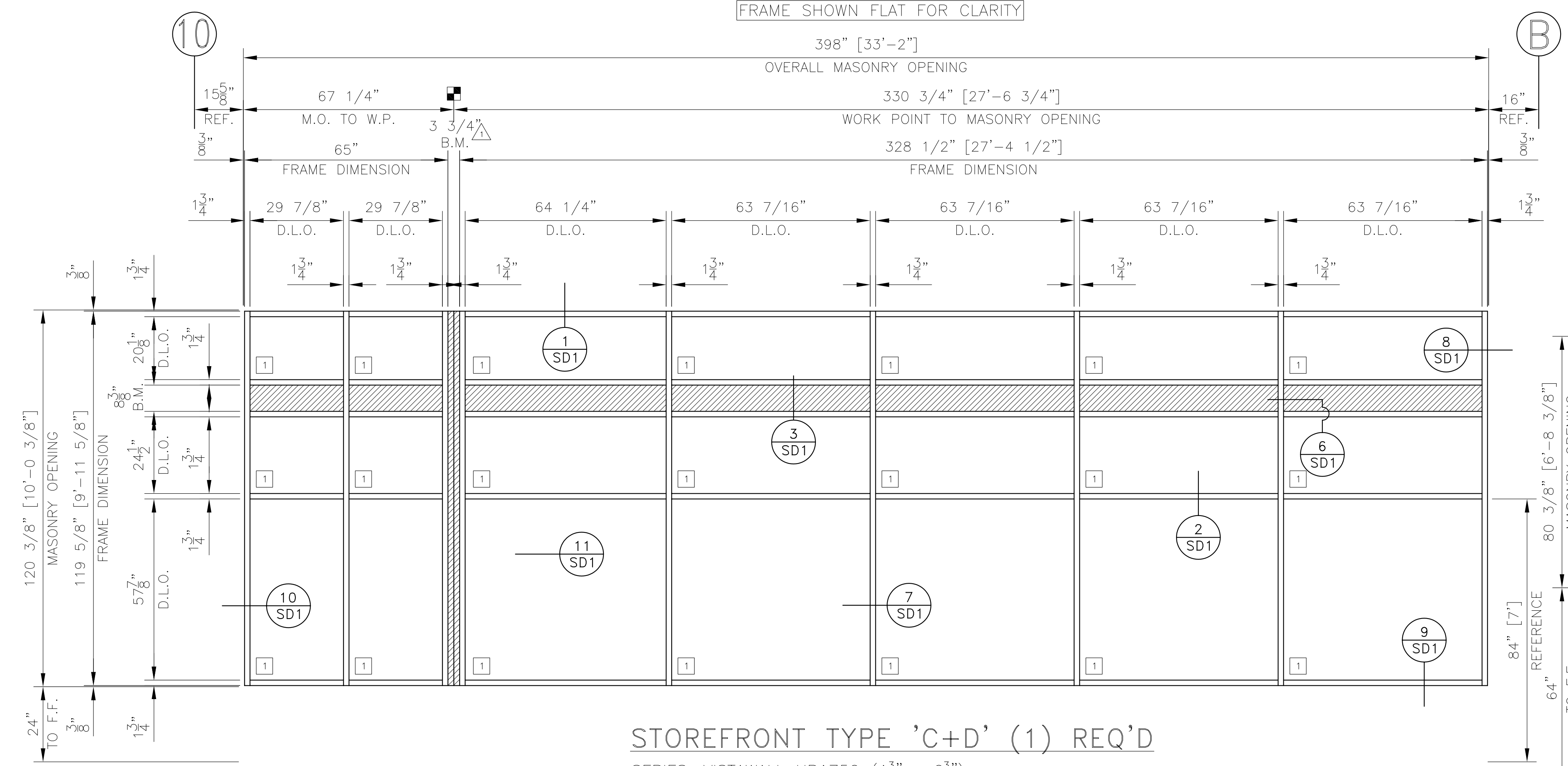
NOTE - ALL DIMENSIONS TO BE FIELD VERIFIED PRIOR TO FABRICATION



STOREFRONT TYPE 'B' (4) REQ'D

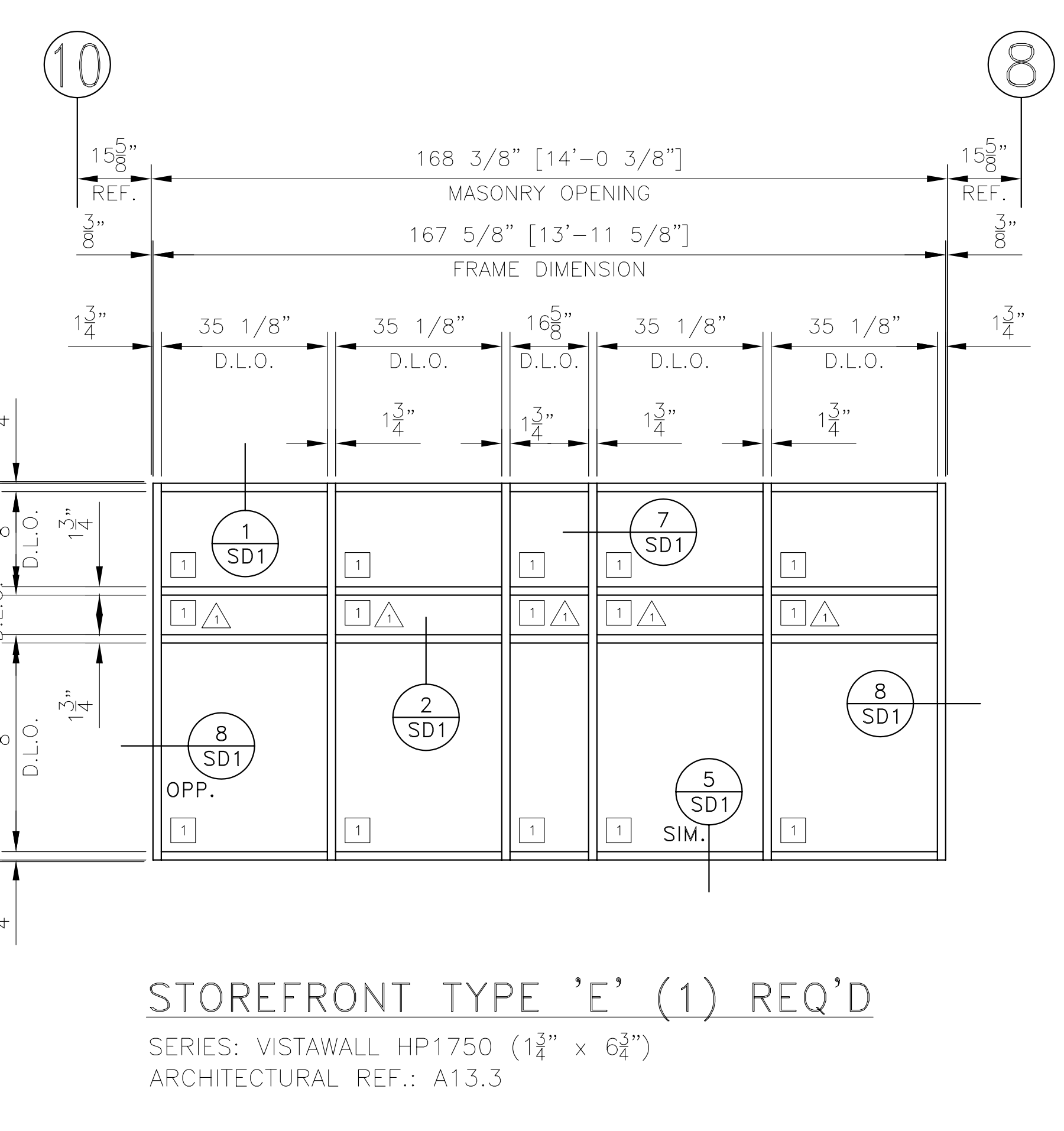
SERIES: VISTAWALL HP1750 (1 3/4" x 6 3/4")
ARCHITECTURAL REF.: A13.3

FRAME SHOWN FLAT FOR CLARITY



STOREFRONT TYPE 'C+D' (1) REQ'D

SERIES: VISTAWALL HP1750 (1 3/4" x 6 3/4")
ARCHITECTURAL REF.: A13.3



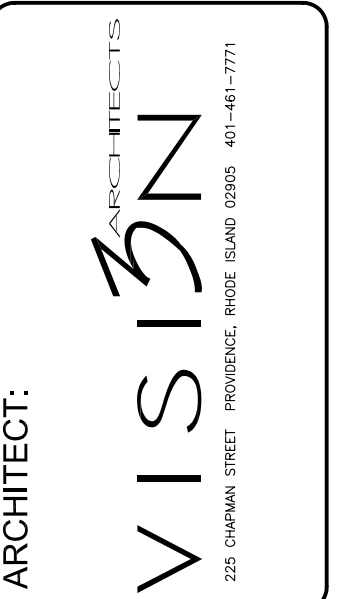
STOREFRONT TYPE 'E' (1) REQ'D

SERIES: VISTAWALL HP1750 (1 3/4" x 6 3/4")
ARCHITECTURAL REF.: A13.3

REVISIONS:

DATE:	04/10/06
BY:	GRI
PER ARCHITECTS NOTES	

GLAZING CONTRACTOR:

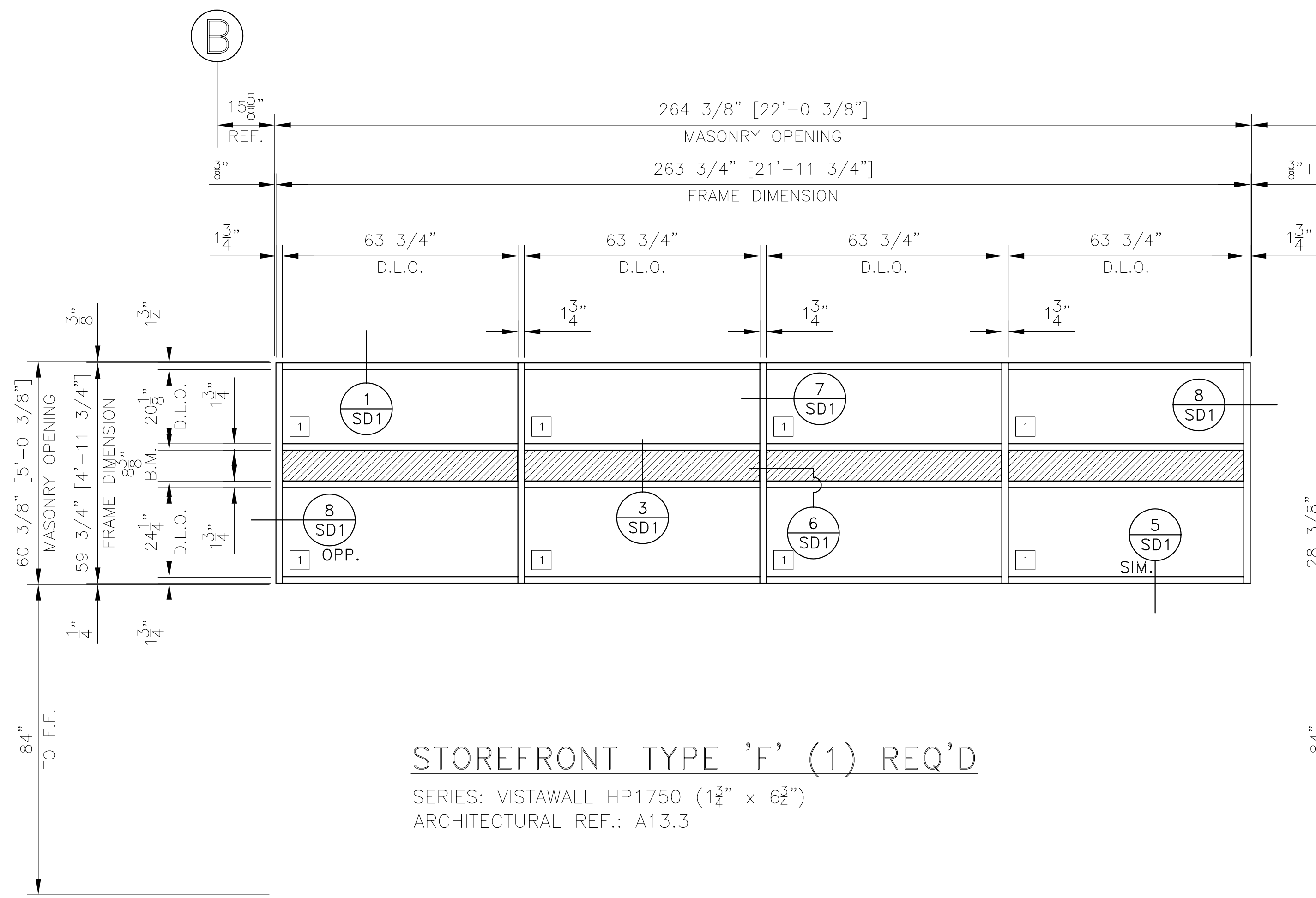


STOREFRONT ELEVATIONS
PROJECT: HOPE DINING HALL
LOCATION: UNIVERSITY OF RHODE ISLAND
KINGSTON, RHODE ISLAND



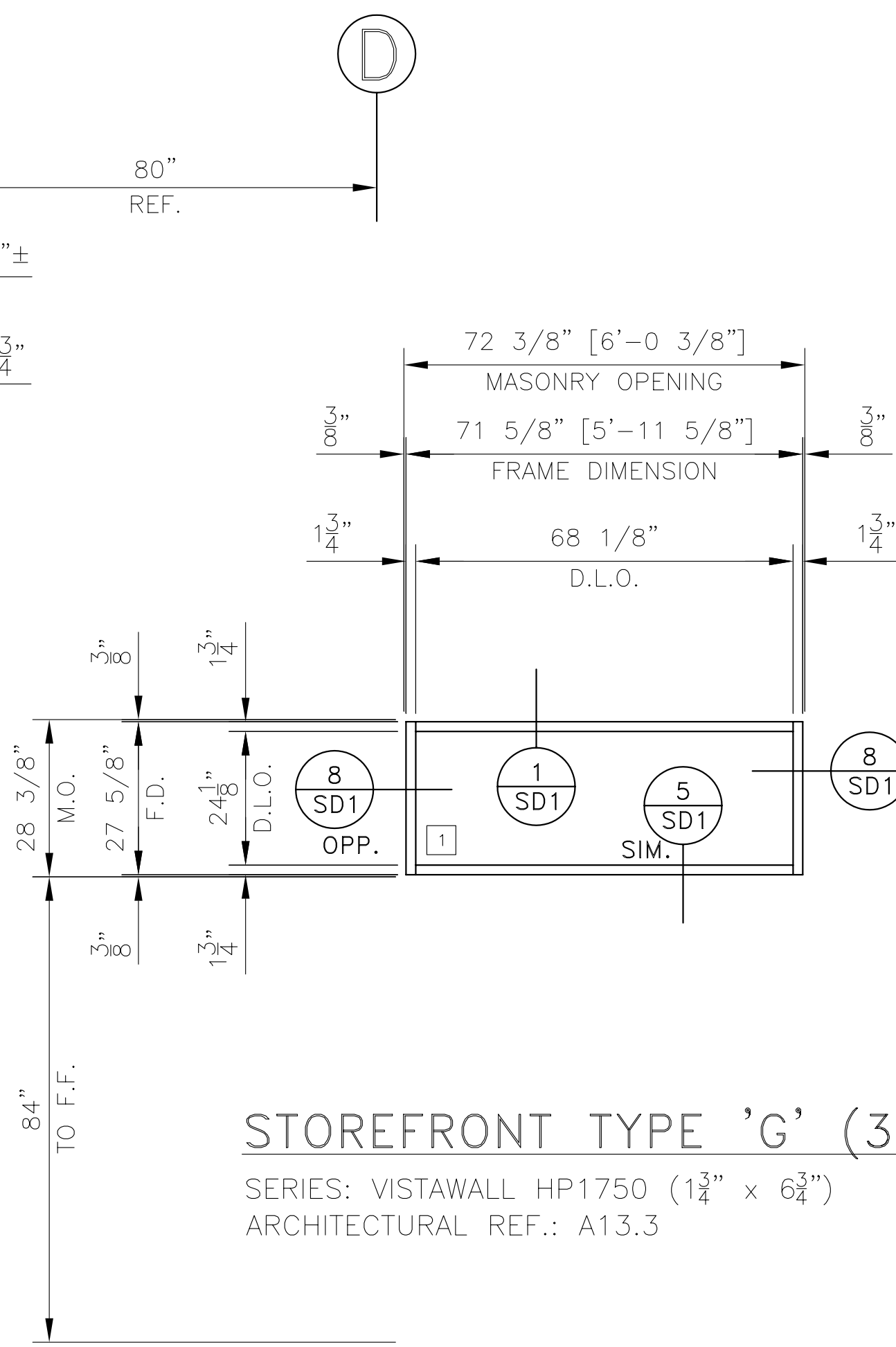
SCALE: 1/2" = 1'
DATE: 02.03.06
PROJECT: GR06-0007A
SHEET:

SE1



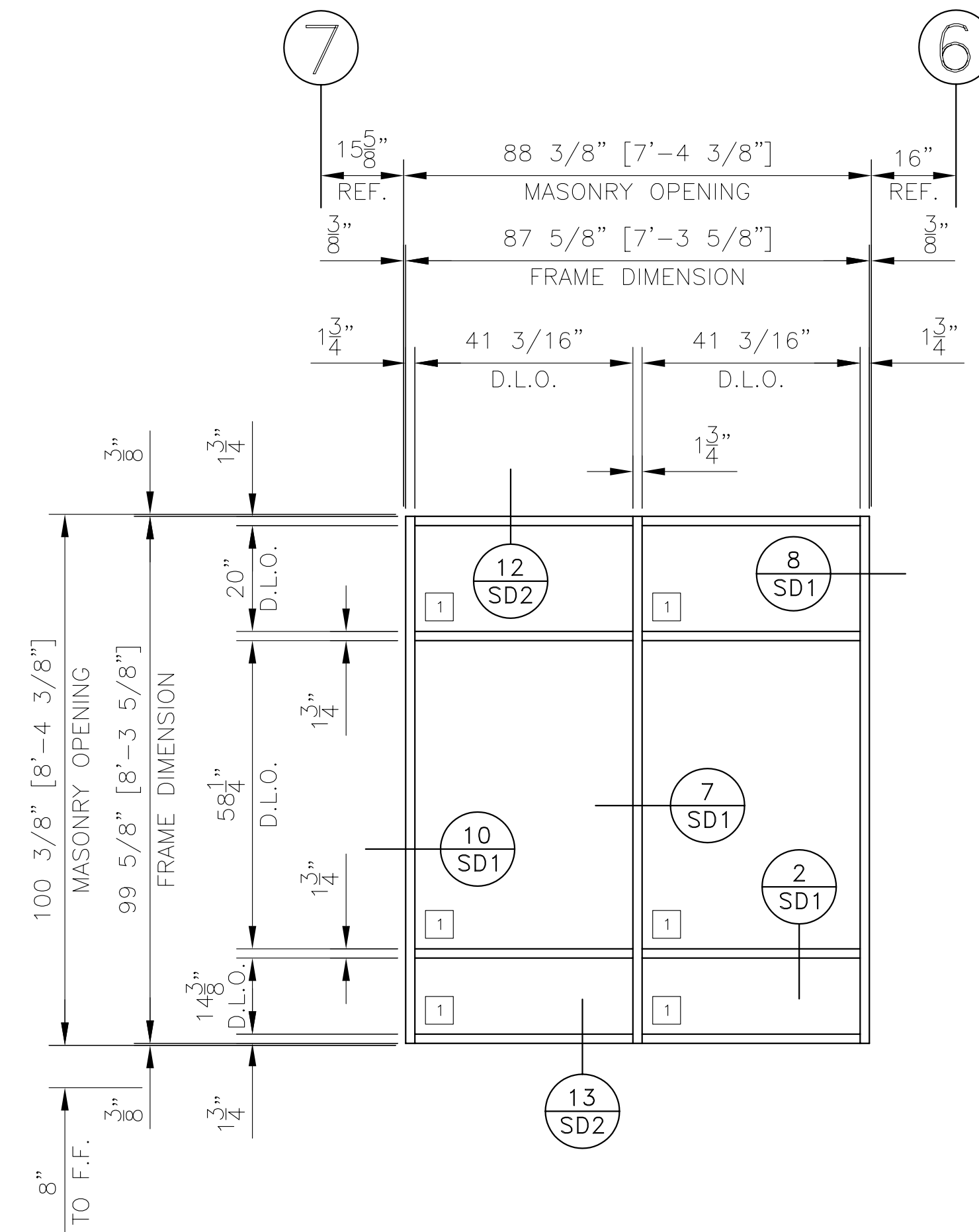
STOREFRONT TYPE 'F' (1) REQ'D

SERIES: VISTAWALL HP1750 (1 3/4" x 6 3/4")
ARCHITECTURAL REF.: A13.3



STOREFRONT TYPE 'G' (3) REQ'D

SERIES: VISTAWALL HP1750 (1 3/4" x 6 3/4")
ARCHITECTURAL REF.: A13.3

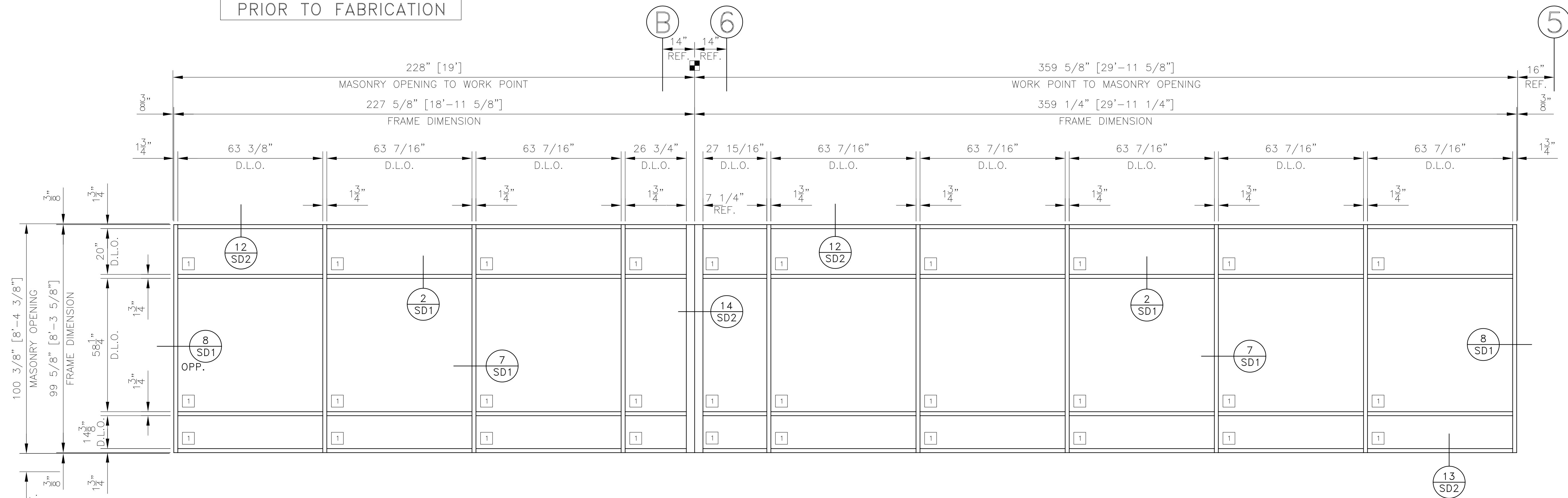


STOREFRONT TYPE 'K' (1) REQ'D

SERIES: VISTAWALL HP1750 (1 3/4" x 6 3/4")
ARCHITECTURAL REF.: A13.3

NOTE - ALL DIMENSIONS
TO BE FIELD VERIFIED
PRIOR TO FABRICATION

FRAME SHOWN FLAT FOR CLARITY



STOREFRONT TYPE 'H+J' (1) REQ'D

SERIES: VISTAWALL HP1750 (1 3/4" x 6 3/4")
ARCHITECTURAL REF.: A13.3

REVISIONS:	BY:
△ PER ARCHITECTS NOTES	GRI
	DATE: 04/10/06

GLAZING CONTRACTOR:

ARCHITECT:

VISION
ARCHITECTS

251 DEDHAM STREET PROVIDENCE, RHODE ISLAND 02905 401-481-7771

STOREFRONT ELEVATIONS

PROJECT: HOPE DINING HALL
LOCATION: UNIVERSITY OF RHODE ISLAND
KINGSTON, RHODE ISLAND

Glazier's Resource Inc.

1 Year + 5 Years of Glazing Design and Drafting

218 NORTH STATE ST. SUITE 105
CONCORD, NH 03301-5322
PH: 603.960.0198
www.glaziersresource.com

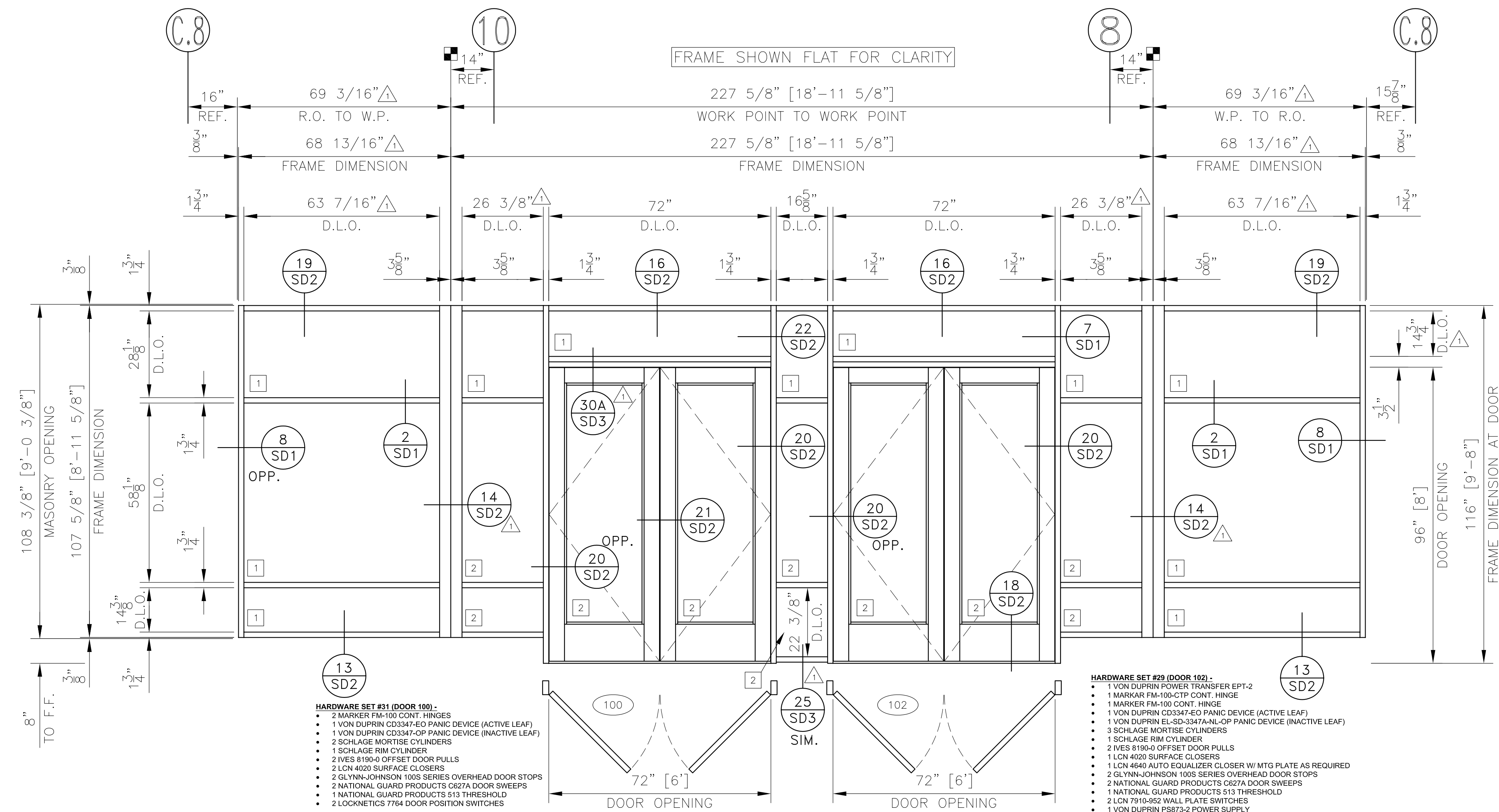
SCALE: 1/2" = 1'

DATE: 02.03.06

PROJECT: GR06-0007A

SHEET:

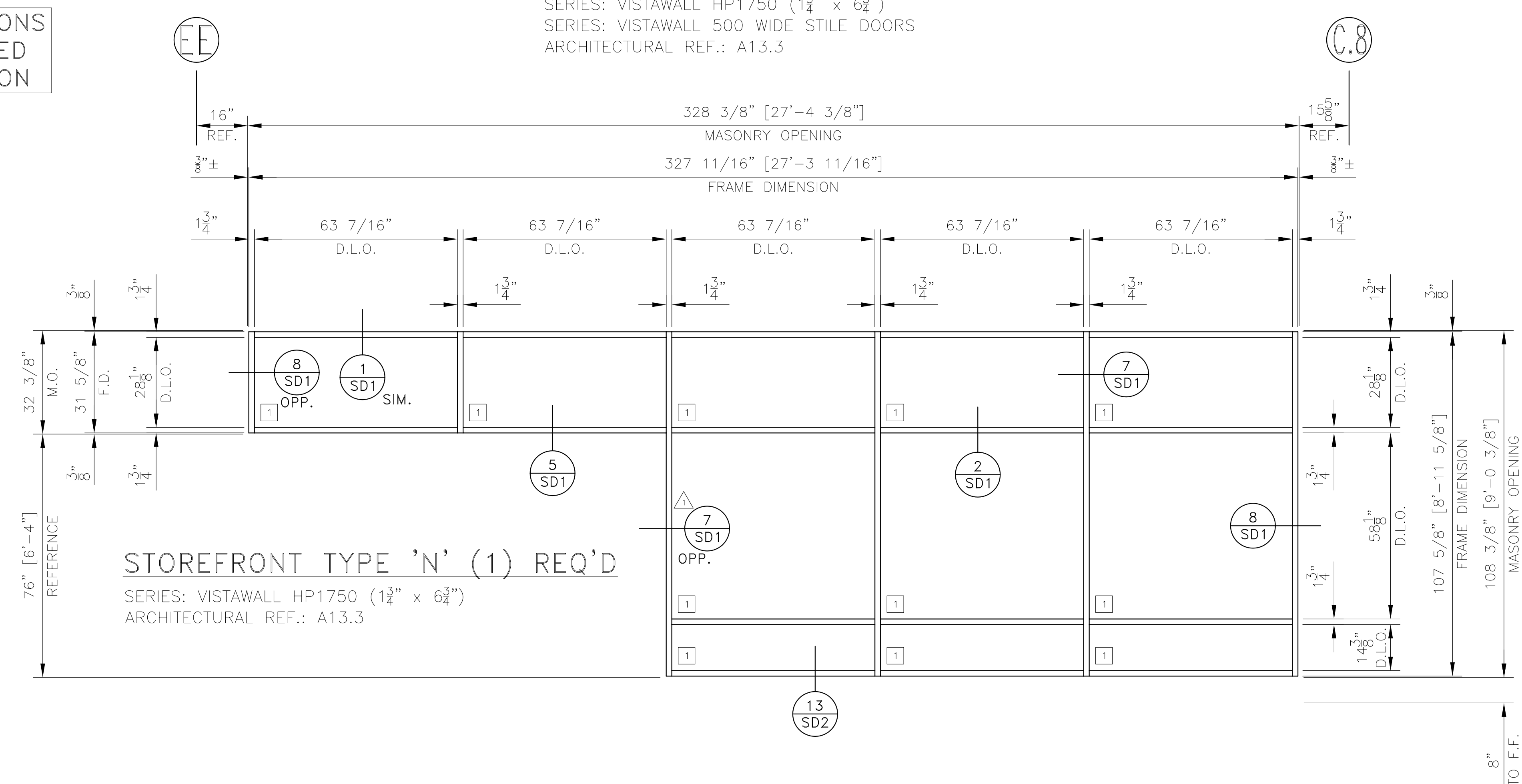
SE2



- HARDWARE SET #31 (DOOR 100) -**
- 2 MARKER FM-100 CONT. HINGES
 - 1 VON DUPRIN CD3347-EO PANIC DEVICE (ACTIVE LEAF)
 - 1 VON DUPRIN CD3347-OP PANIC DEVICE (INACTIVE LEAF)
 - 2 SCHLAGE MORTISE CYLINDERS
 - 1 SCHLAGE RIM CYLINDER
 - 2 IVES 8190-0 OFFSET DOOR PULLS
 - 2 LCN 4020 SURFACE CLOSERS
 - 2 GLYNN-JOHNSON 1005 SERIES OVERHEAD DOOR STOPS
 - 2 NATIONAL GUARD PRODUCTS C627A DOOR SWEEPS
 - 1 NATIONAL GUARD PRODUCTS S13 THRESHOLD
 - 2 LOCKNETICS 7764 DOOR POSITION SWITCHES

- HARDWARE SET #29 (DOOR 102) -**
- 1 VON DUPRIN POWER TRANSFER EPT-2
 - 1 MARKER FM-100-CTP CONT. HINGE
 - 1 MARKER FM-100 CONT. HINGE
 - 1 VON DUPRIN CD3347-EO PANIC DEVICE (ACTIVE LEAF)
 - 1 VON DUPRIN EL-SD-3347AHL-OP PANIC DEVICE (INACTIVE LEAF)
 - 3 SCHLAGE MORTISE CYLINDERS
 - 1 SCHLAGE RIM CYLINDER
 - 2 IVES 8190-0 OFFSET DOOR PULLS
 - 1 LCN 4020 SURFACE CLOSERS
 - 1 LCN 4040 AUTO EQUALIZER CLOSER W/ MTO PLATE AS REQUIRED
 - 2 GLYNN-JOHNSON 1005 SERIES OVERHEAD DOOR STOPS
 - 2 NATIONAL GUARD PRODUCTS C627A DOOR SWEEPS
 - 1 NATIONAL GUARD PRODUCTS S13 THRESHOLD
 - 2 LCN 7910-852 WALL PLATE SWITCHES
 - 1 VON DUPRIN P5873-2 POWER SUPPLY
 - 1 LOCKNETICS 693-14 KEY SWITCH
 - 2 LOCKNETICS 7764 DOOR POSITION SWITCHES

NOTE - ALL DIMENSIONS TO BE FIELD VERIFIED PRIOR TO FABRICATION



STOREFRONT TYPE 'N' (1) REQ'D
 SERIES: VISTAWALL HP1750 (1 3/4\" x 6 3/4\")
 ARCHITECTURAL REF.: A13.3

STOREFRONT TYPE 'L+M' (1) REQ'D
 SERIES: VISTAWALL HP1750 (1 3/4\" x 6 3/4\")
 SERIES: VISTAWALL 500 WIDE STILE DOORS
 ARCHITECTURAL REF.: A13.3

BY:	GRI
DATE:	04/10/06
REVISIONS:	PER ARCHITECTS NOTES

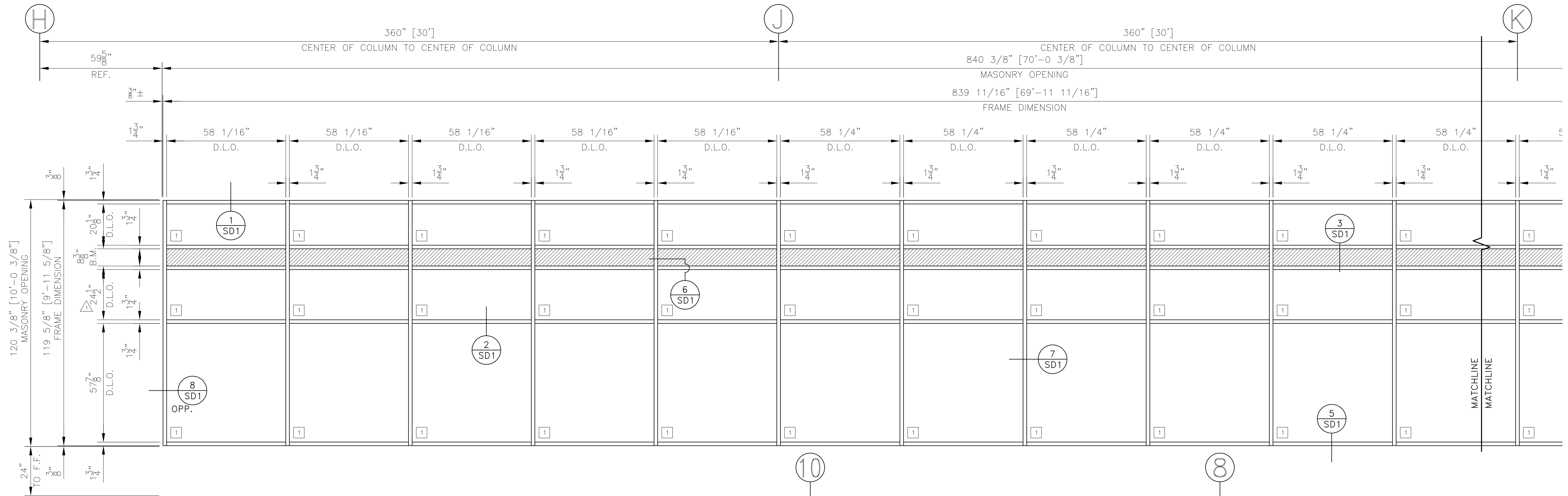
GLAZING CONTRACTOR:

ARCHITECT:
VISION
 255 DEDMON STREET PROVIDENCE, RHODE ISLAND 02905 401-461-7771

STOREFRONT ELEVATIONS
 PROJECT: HOPE DINING HALL
 LOCATION: UNIVERSITY OF RHODE ISLAND
 KINGSTON, RHODE ISLAND

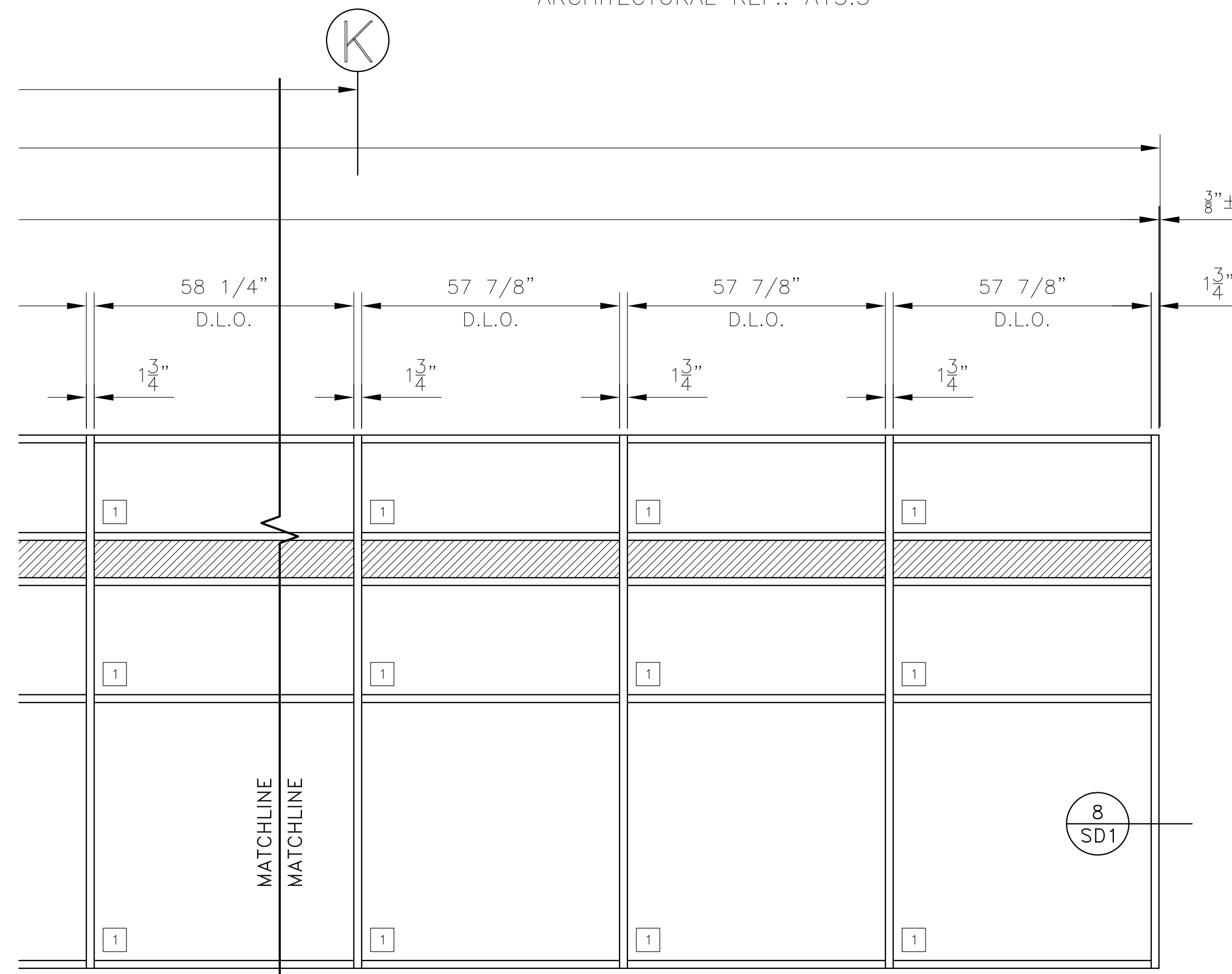
Glazier's Resource Inc.
 "Your Glazing Partner in Design and Draying"
 216 NORTH STATE ST., SUITE 105
 CONCORD, NH 03301-5322
 PH: 603.860.0198
 WWW.GLAZIERSRESOURCE.COM

SCALE: 1/2" = 1'
 DATE: 02.03.06
 PROJECT: GR06-0007A
 SHEET: **SE3**



STOREFRONT TYPE 'P' (1) REQ'D

SERIES: VISTAWALL HP1750 (1 1/2" x 6 3/4")
 ARCHITECTURAL REF.: A13.3



STOREFRONT TYPE 'L2' (1) REQ'D

SERIES: VISTAWALL 2000 STOREFRONT
 SERIES: VISTAWALL 2000 DOOR FRAMING
 SERIES: VISTAWALL 500 WIDE STILE DOORS
 ARCHITECTURAL REF.: A13.3

NOTE - ALL DIMENSIONS
 TO BE FIELD VERIFIED
 PRIOR TO FABRICATION

- HARDWARE SET #32 (DOOR 101):**
- 2 MARKER FM100 CONT. HINGES
 - 2 IVES 9190-0 PUSH/PULL BAR SETS
 - 2 LCN 4020 SURFACE MOUNTED CLOSERS
 - 2 GLYNN-JOHNSON 1000S SERIES OVERHEAD STOPS
 - 3 EACH IVES SR66 SILENCERS

- HARDWARE SET #3 (DOOR 103):**
- 2 MARKER FM100 CONT. HINGES
 - 2 IVES 9190-0 PUSH/PULL BAR SETS
 - 1 LCN 4020 SURFACE MOUNTED CLOSERS
 - 1 LCN 4640 AUTO EQUALIZER CLOSER W/ MTO PLATE AS REQUIRED
 - 2 GLYNN-JOHNSON 1000S SERIES OVERHEAD STOPS
 - 2 NATIONAL GUARD PRODUCTS C627A DOOR SWEEPS
 - 1 NATIONAL GUARD PRODUCTS S13 THRESHOLD
 - 1 LCN 7910-922 WALL PLATE SWITCH
 - 1 VON DUPRIN PS875-2 POWER SUPPLY
 - 1 LOCKNETICS 7764 DOOR POSITION SWITCH

REVISIONS:	BY:
△ PER ARCHITECTS NOTES	GRI
DATE:	04/10/06

GLAZING CONTRACTOR:

ARCHITECT:

VISION
 251 DOWMAN STREET PROVIDENCE, RHODE ISLAND 02905 401-481-7771

STOREFRONT ELEVATIONS

PROJECT: HOPE DINING HALL
 LOCATION: UNIVERSITY OF RHODE ISLAND
 KINGSTON, RHODE ISLAND

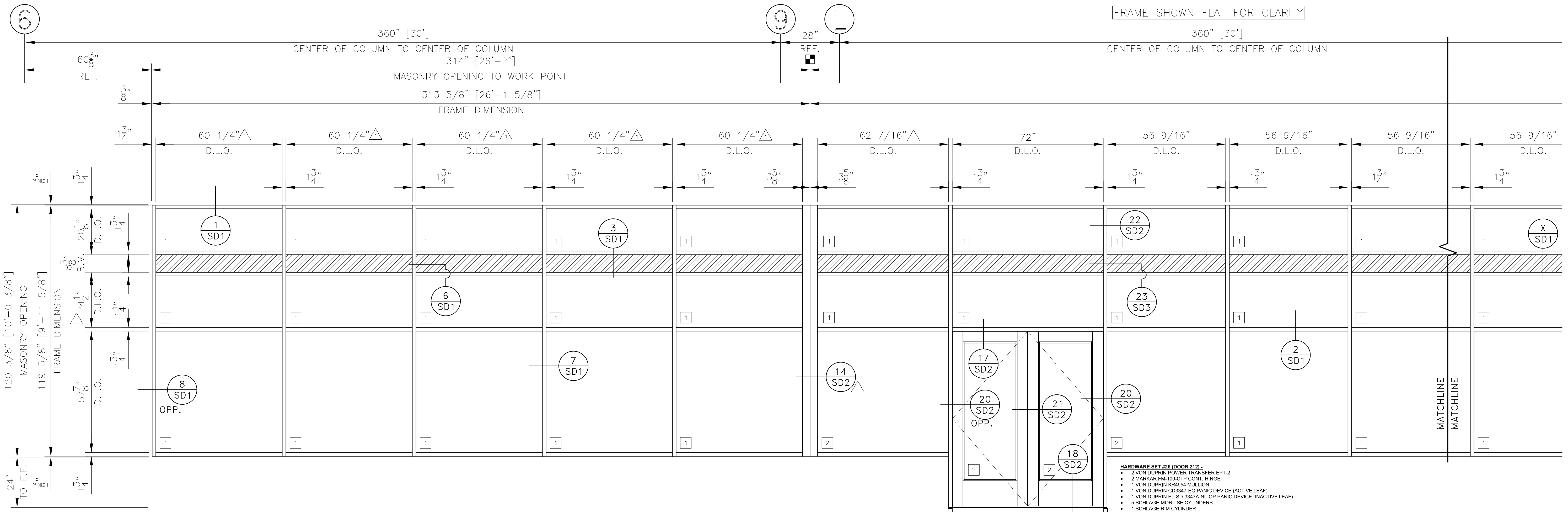
Glazier's Resource Inc.
 "Your Glazing & Sliding Door Design and Drafting"
 218 NORTH STATE ST., SUITE 105
 CONCORD, NH 03301-5322
 PH: 603.860.0186
 WWW.GLAZIERSRESOURCE.COM

SCALE:
 1/2" = 1'

DATE:
 02.03.06

PROJECT:
 GR06-0007A

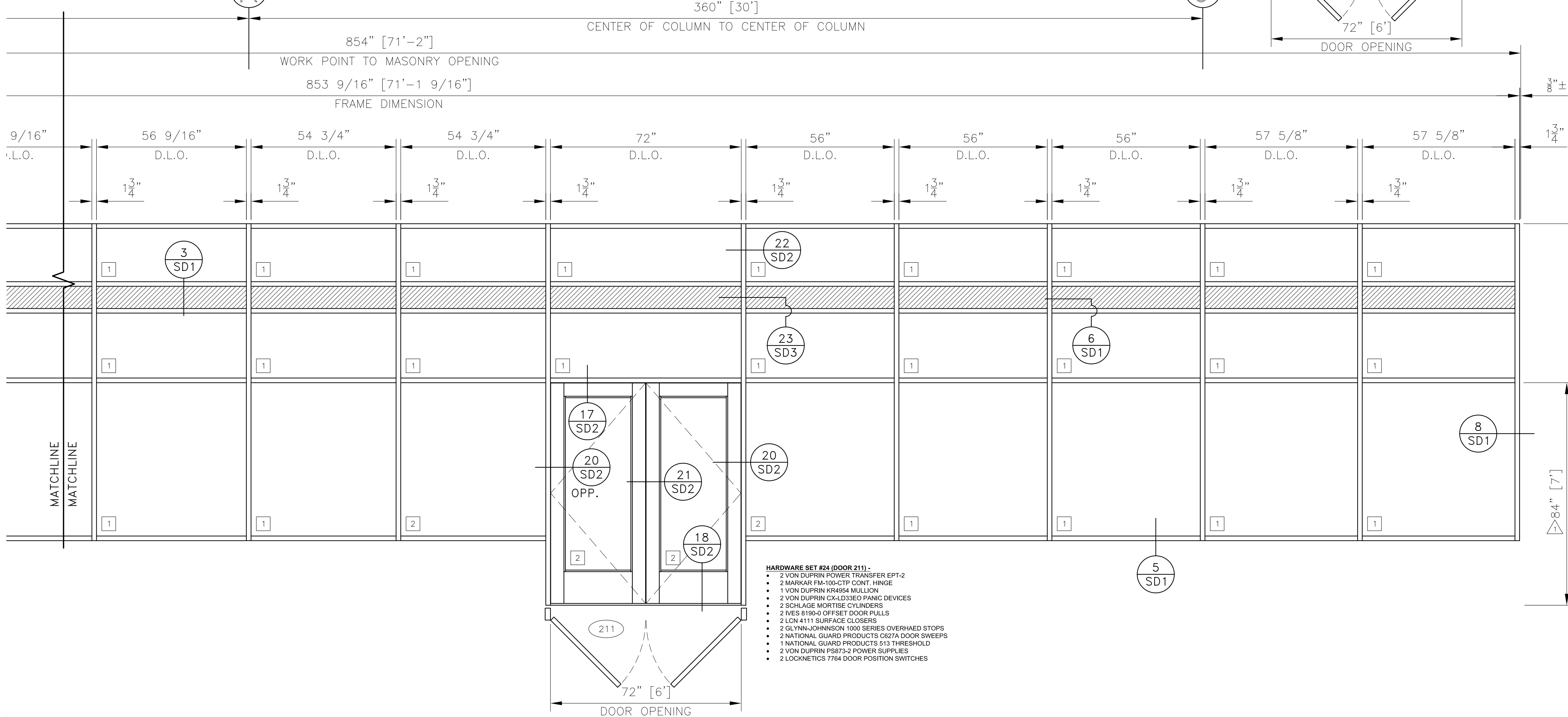
SHEET:
SE4



FRAME SHOWN FLAT FOR CLARITY

FRAME SHOWN FLAT FOR CLARITY

- HARDWARE SET #26 (DOOR 212):**
- 2 VON DUPRIN POWER TRANSFER EPT-2
 - 2 MARKAR FM-100-CTP CONT. HINGE
 - 1 VON DUPRIN KR4954 MULLION
 - 1 VON DUPRIN CD347-ED PANIC DEVICE (ACTIVE LEAF)
 - 1 VON DUPRIN EL-SD347-PANIC-OP PANIC DEVICE (INACTIVE LEAF)
 - 5 SCHLAGE MORTISE CYLINDERS
 - 1 SCHLAGE RIM CYLINDER
 - 2 LOCKNETICS 300-MAG LOCKS
 - 2 IVES 8190-0 OFFSET DOOR PULLS
 - 2 LCN 4111 SURFACE CLOSERS
 - 2 GLYNN-JOHNSON 1000 SERIES OVERHEAD STOPS
 - 2 VON DUPRIN P5873-2 POWER SUPPLIES
 - 2 LOCKNETICS 7764 DOOR POSITION SWITCHES



- HARDWARE SET #24 (DOOR 211):**
- 2 VON DUPRIN POWER TRANSFER EPT-2
 - 2 MARKAR FM-100-CTP CONT. HINGE
 - 1 VON DUPRIN KR4954 MULLION
 - 2 VON DUPRIN CX-LD360 PANIC DEVICES
 - 2 SCHLAGE MORTISE CYLINDERS
 - 2 IVES 8190-0 OFFSET DOOR PULLS
 - 2 LCN 4111 SURFACE CLOSERS
 - 2 GLYNN-JOHNSON 1000 SERIES OVERHEAD STOPS
 - 2 NATIONAL GUARD PRODUCTS C87A DOOR SWEEPS
 - 1 NATIONAL GUARD PRODUCTS 513 THRESHOLD
 - 2 VON DUPRIN P5873-2 POWER SUPPLIES
 - 2 LOCKNETICS 7764 DOOR POSITION SWITCHES

STOREFRONT TYPE 'R+S' (1) REQ'D

SERIES: VISTAWALL HP1750 (1 3/4" x 6 3/4")
 SERIES: VISTAWALL 500 WIDE STILE DOORS
 ARCHITECTURAL REF.: A13.3

NOTE - ALL DIMENSIONS TO BE FIELD VERIFIED PRIOR TO FABRICATION

BY:	GRI
DATE:	04/10/06
REVISIONS:	PER ARCHITECTS NOTES

GLAZING CONTRACTOR:

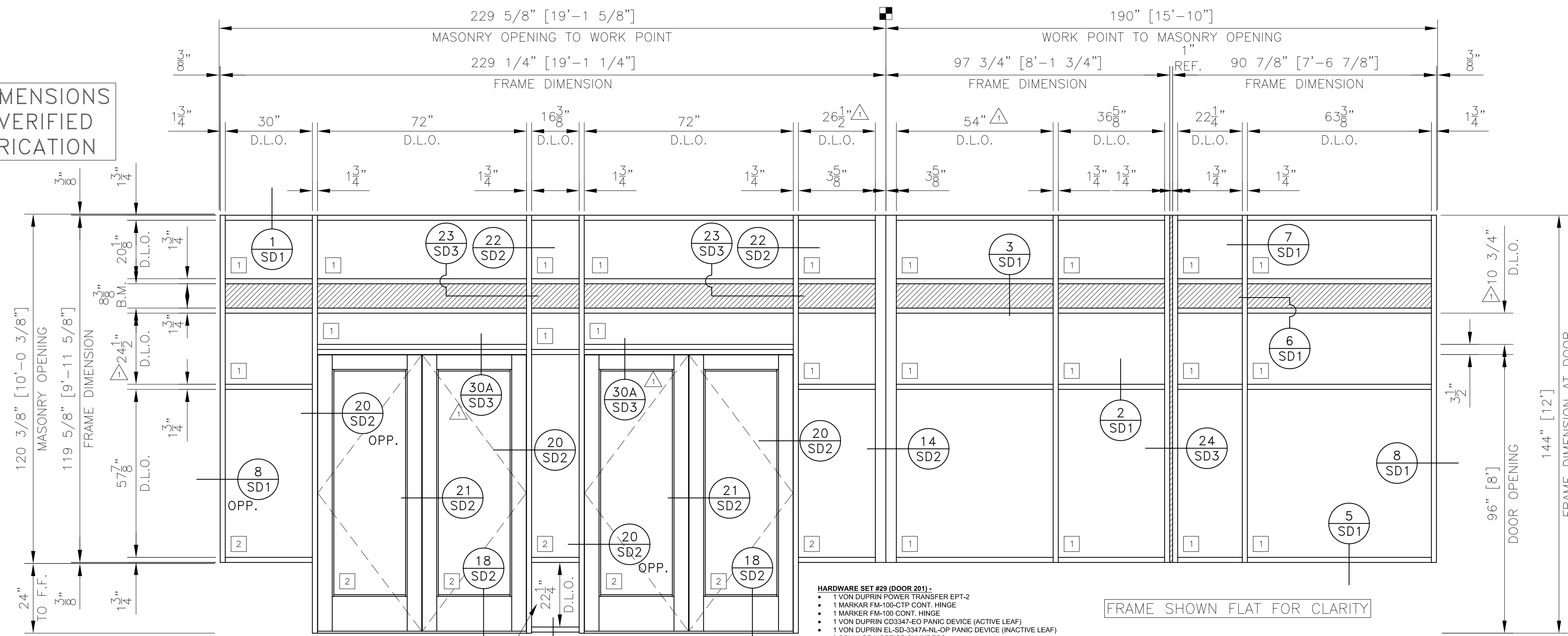
ARCHITECT:
VISION
 251 DORSET STREET PROVIDENCE, RHODE ISLAND 02905 401-481-7771

STOREFRONT ELEVATIONS
 PROJECT: HOPE DINING HALL
 LOCATION: UNIVERSITY OF RHODE ISLAND KINGSTON, RHODE ISLAND

Glazier's Resource Inc.
 "Your Source for Glazing Design and Drafting"
 218 NORTH STATE ST., SUITE 105
 CONCORD, NH 03301-5322
 PH: 603.860.0198
 www.glaziersresource.com

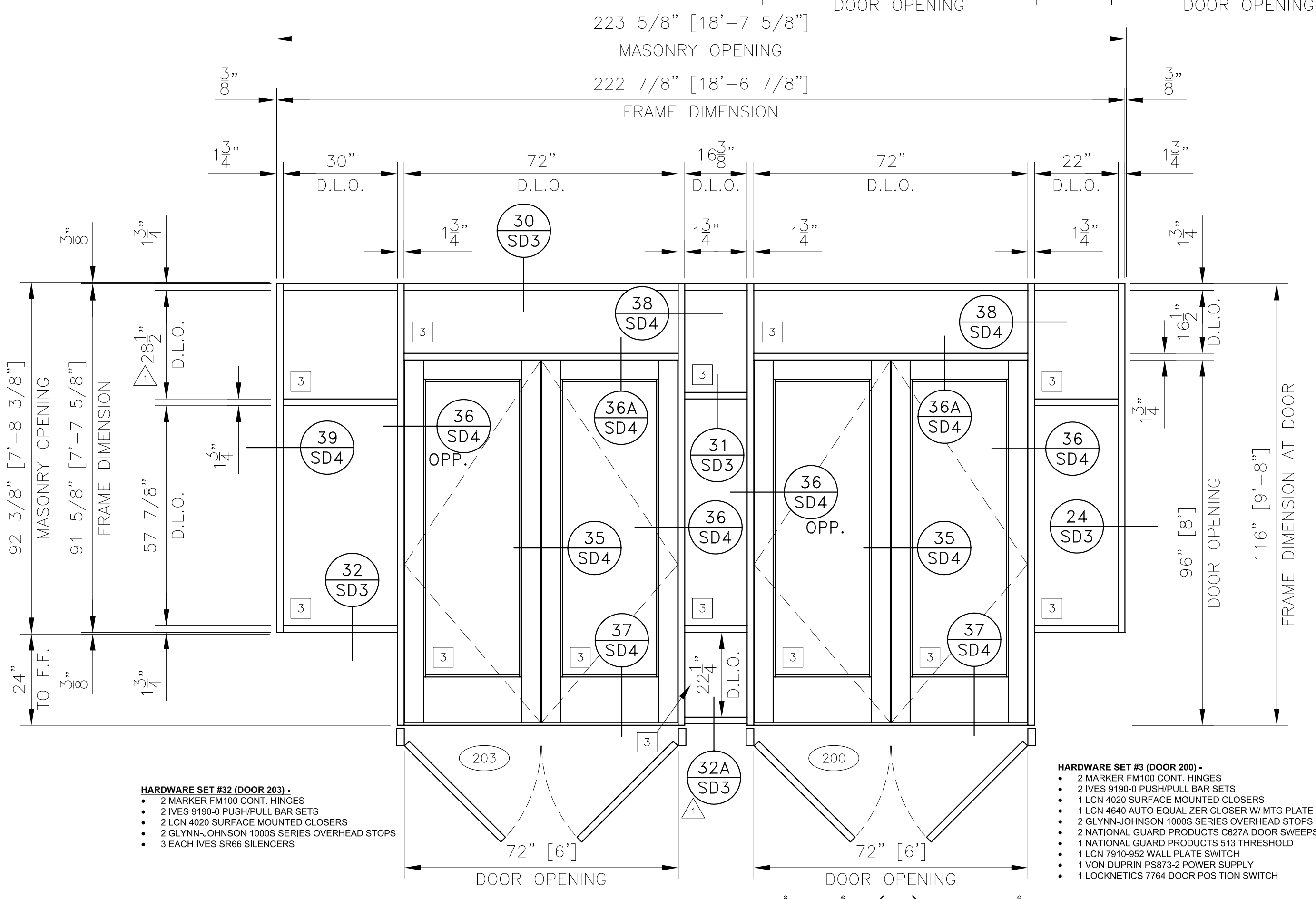
SCALE: 1/2" = 1'
 DATE: 02.03.06
 PROJECT: GR06-0007A
 SHEET: **SE5**

NOTE - ALL DIMENSIONS TO BE FIELD VERIFIED PRIOR TO FABRICATION



- HARDWARE SET #29 (DOOR 201) -**
- 1 VON DUPRIN POWER TRANSFER EPT-2
 - 1 MARKAR FM-100-CTF CONT. HINGE
 - 1 MARKER FM-100 CONT. HINGE
 - 1 VON DUPRIN CD3347-EO PANIC DEVICE (ACTIVE LEAF)
 - 1 VON DUPRIN EL-SD3347A-NL-OP PANIC DEVICE (INACTIVE LEAF)
 - 3 SCHLAGE MORTISE CYLINDERS
 - 1 SCHLAGE RM CYLINDER
 - 2 IVES 9190-0 OFFSET DOOR PULLS
 - 1 LCN 4020 SURFACE CLOSERS
 - 1 LCN 4840 AUTO EQUALIZER CLOSER W/ MTG PLATE AS REQUIRED
 - 2 GLYNN-JOHNSON 100S SERIES OVERHEAD DOOR STOPS
 - 2 NATIONAL GUARD PRODUCTS C827A DOOR SWEEPS
 - 1 NATIONAL GUARD PRODUCTS S13 THRESHOLD
 - 2 LCN 7910S25 WALL PLATE SWITCHES
 - 1 VON DUPRIN PS873-2 POWER SUPPLY
 - 1 LOCKNETICS 653-14 KEYSWITCH
 - 2 LOCKNETICS 7764 DOOR POSITION SWITCHES

STOREFRONT TYPE 'Q+U' (1) REQ'D
 SERIES: VISTAWALL HP1750 (1 1/2" x 6 3/4")
 SERIES: VISTAWALL 500 WIDE STILE DOORS
 ARCHITECTURAL REF.: A13.3



- HARDWARE SET #32 (DOOR 203) -**
- 2 MARKER FM100 CONT. HINGES
 - 2 IVES 9190-0 PUSH/PULL BAR SETS
 - 2 LCN 4020 SURFACE MOUNTED CLOSERS
 - 2 GLYNN-JOHNSON 1000S SERIES OVERHEAD STOPS
 - 3 EACH IVES SR66 SILENCERS

STOREFRONT TYPE 'Q2' (1) REQ'D
 SERIES: VISTAWALL 2000 STOREFRONT
 SERIES: VISTAWALL 2000 DOOR FRAMING
 SERIES: VISTAWALL 500 WIDE STILE DOORS
 ARCHITECTURAL REF.: A13.3

BY:	GRI
DATE:	04/10/06
REVISIONS:	PER ARCHITECTS NOTES

GLAZING CONTRACTOR:

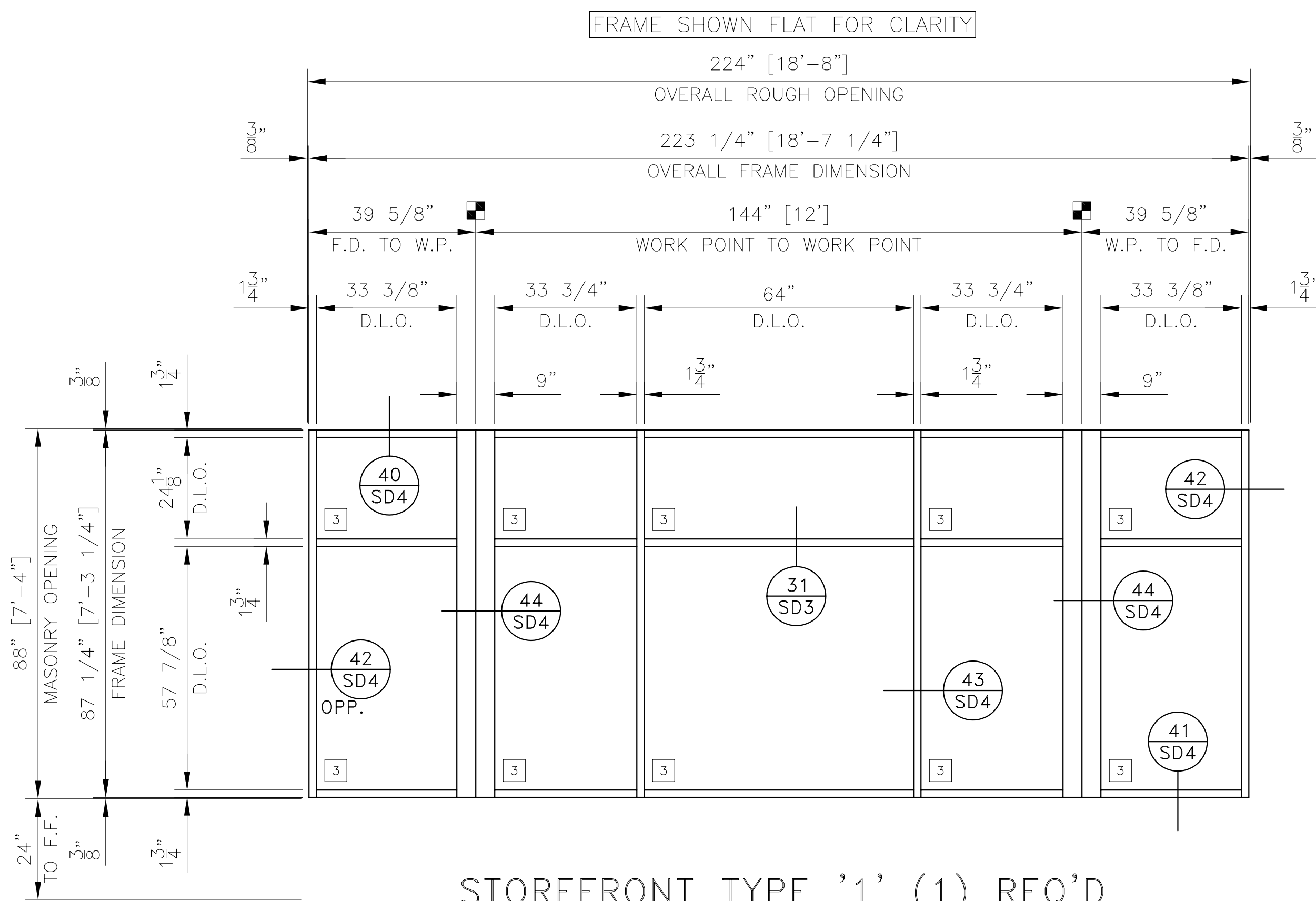
ARCHITECT: **VISION**
 255 DEDHAM STREET, PROVIDENCE, RHODE ISLAND 02905 401-481-7771

STOREFRONT ELEVATIONS
 PROJECT: HOPE DINING HALL
 LOCATION: UNIVERSITY OF RHODE ISLAND
 KINGSTON, RHODE ISLAND

Glazier's Resource Inc.
 "Your Glazing Partner in Design and Drapery"
 218 NORTH STATE ST., SUITE 10
 CONCORD, NH 03301-5322
 PH: 603.860.0188
 WWW.GLAZIERSRESOURCE.COM

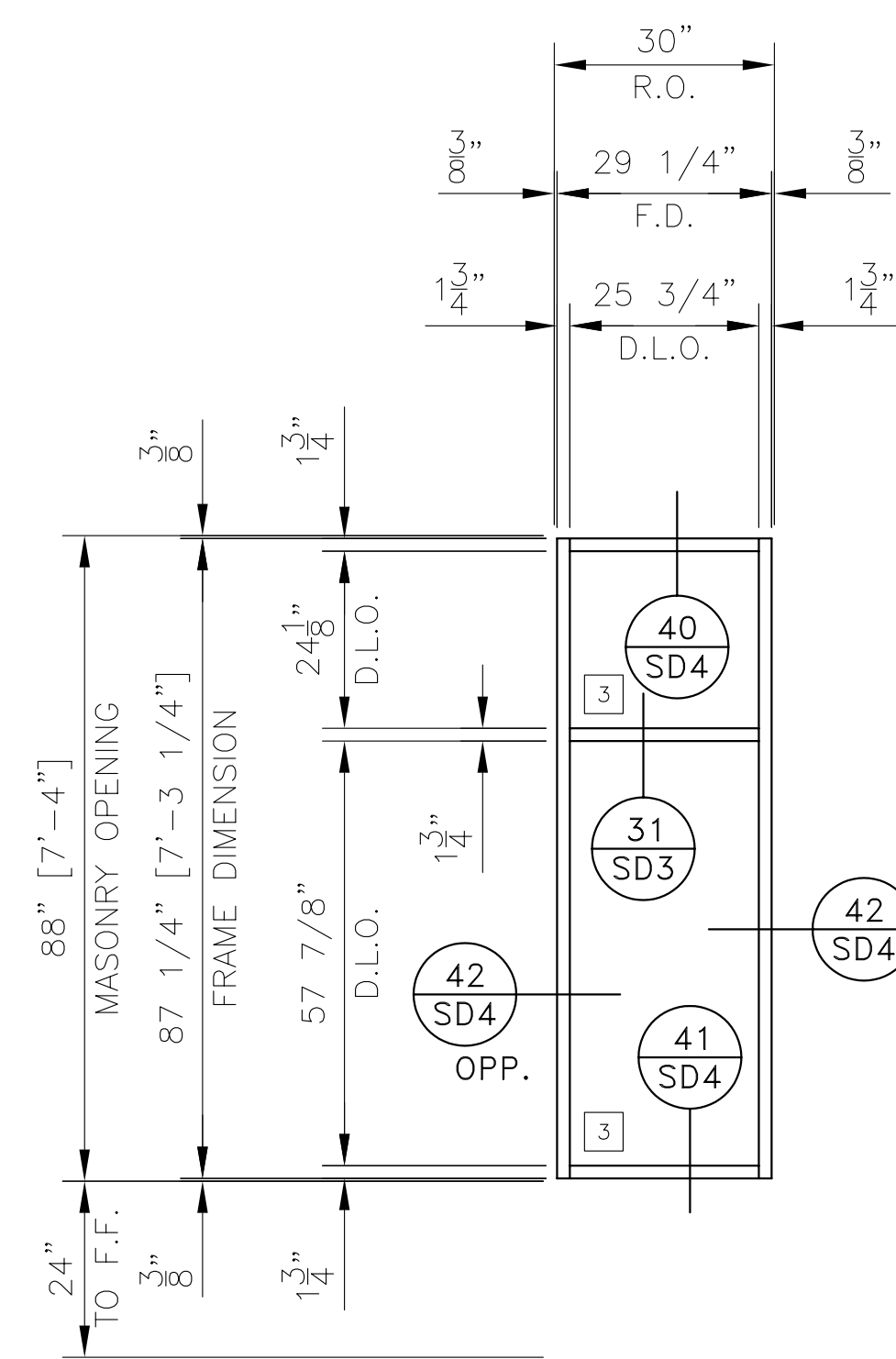
SCALE: 1/2" = 1'
 DATE: 02.03.06
 PROJECT: GR06-0007A
 SHEET:

SE6



STOREFRONT TYPE '1' (1) REQ'D

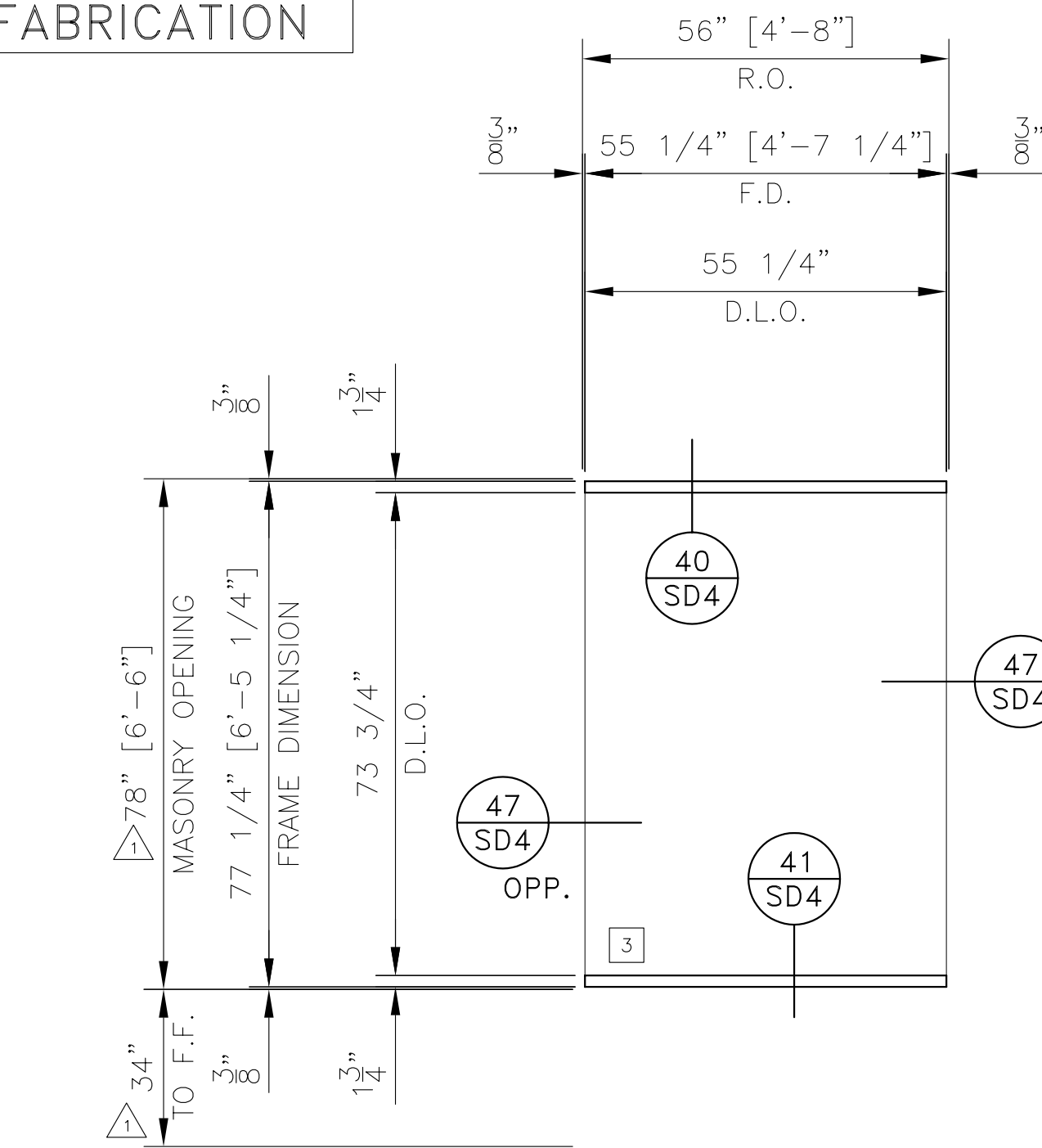
SERIES: VISTAWALL 2000 STOREFRONT
ARCHITECTURAL REF.: A1.2



STOREFRONT TYPE '2' (1) REQ'D

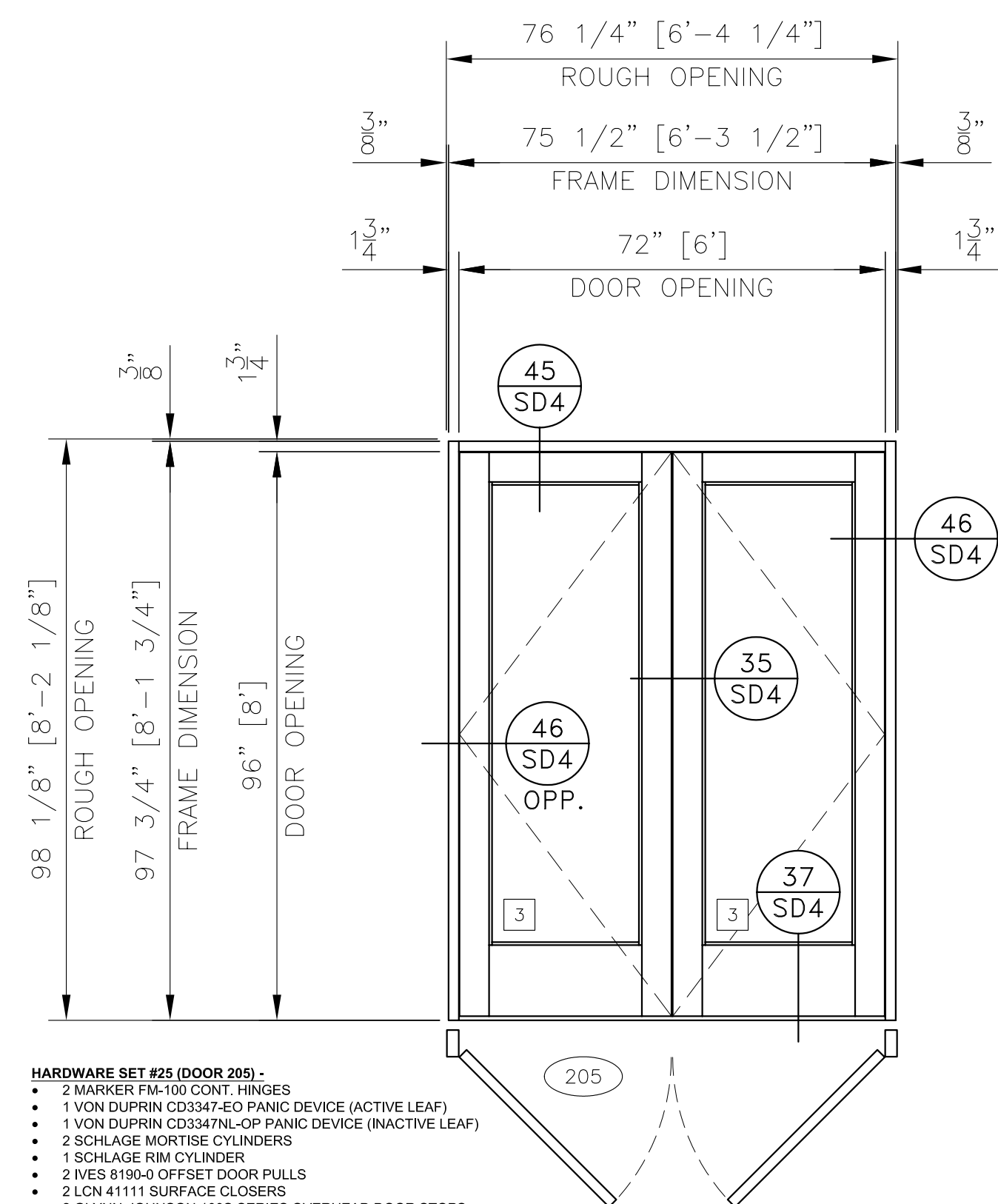
SERIES: VISTAWALL 2000 STOREFRONT
ARCHITECTURAL REF.: A1.2

NOTE - ALL DIMENSIONS TO BE FIELD VERIFIED PRIOR TO FABRICATION



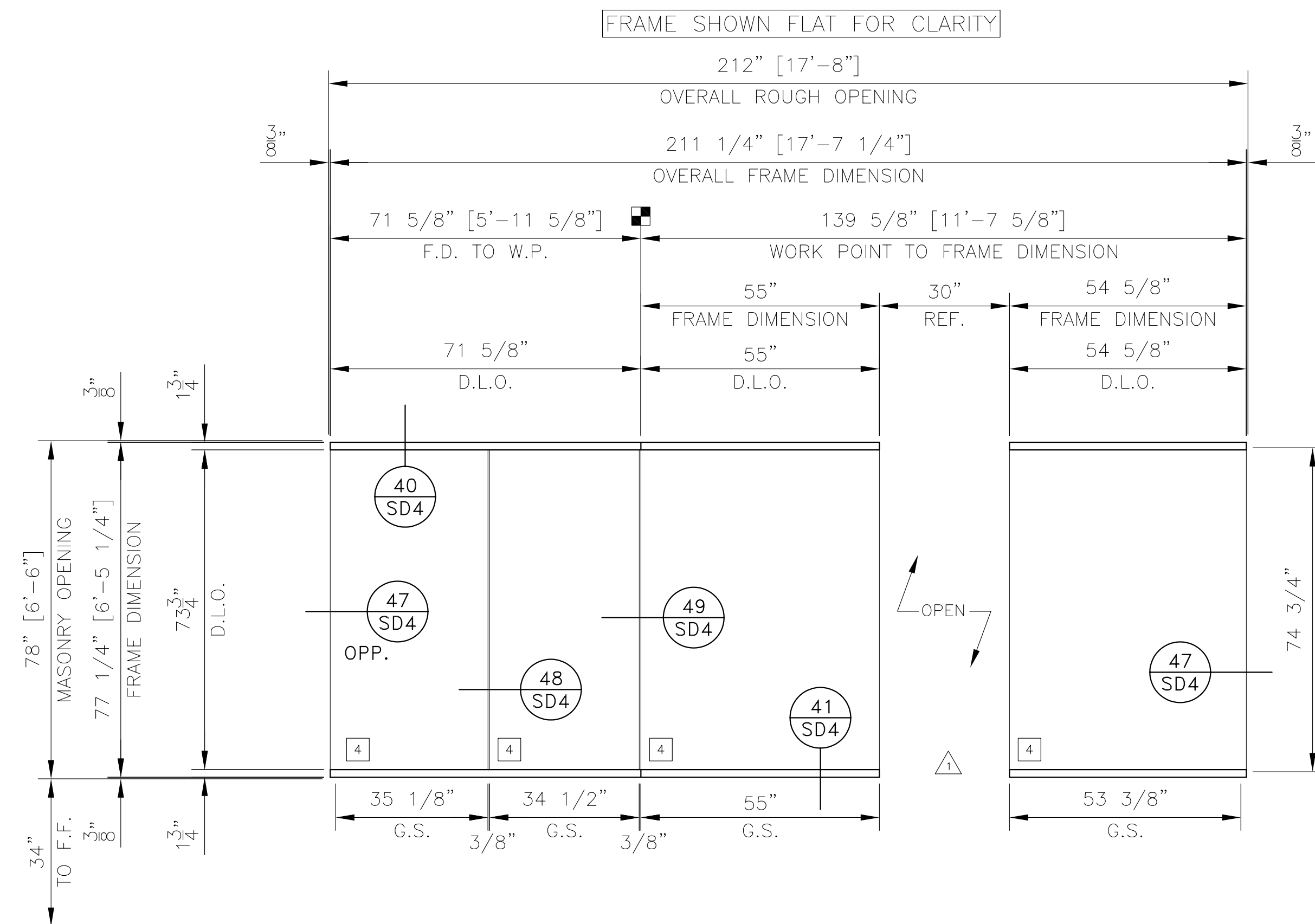
STOREFRONT TYPE '3' (1) REQ'D

SERIES: VISTAWALL 2000 STOREFRONT
ARCHITECTURAL REF.: A1.2



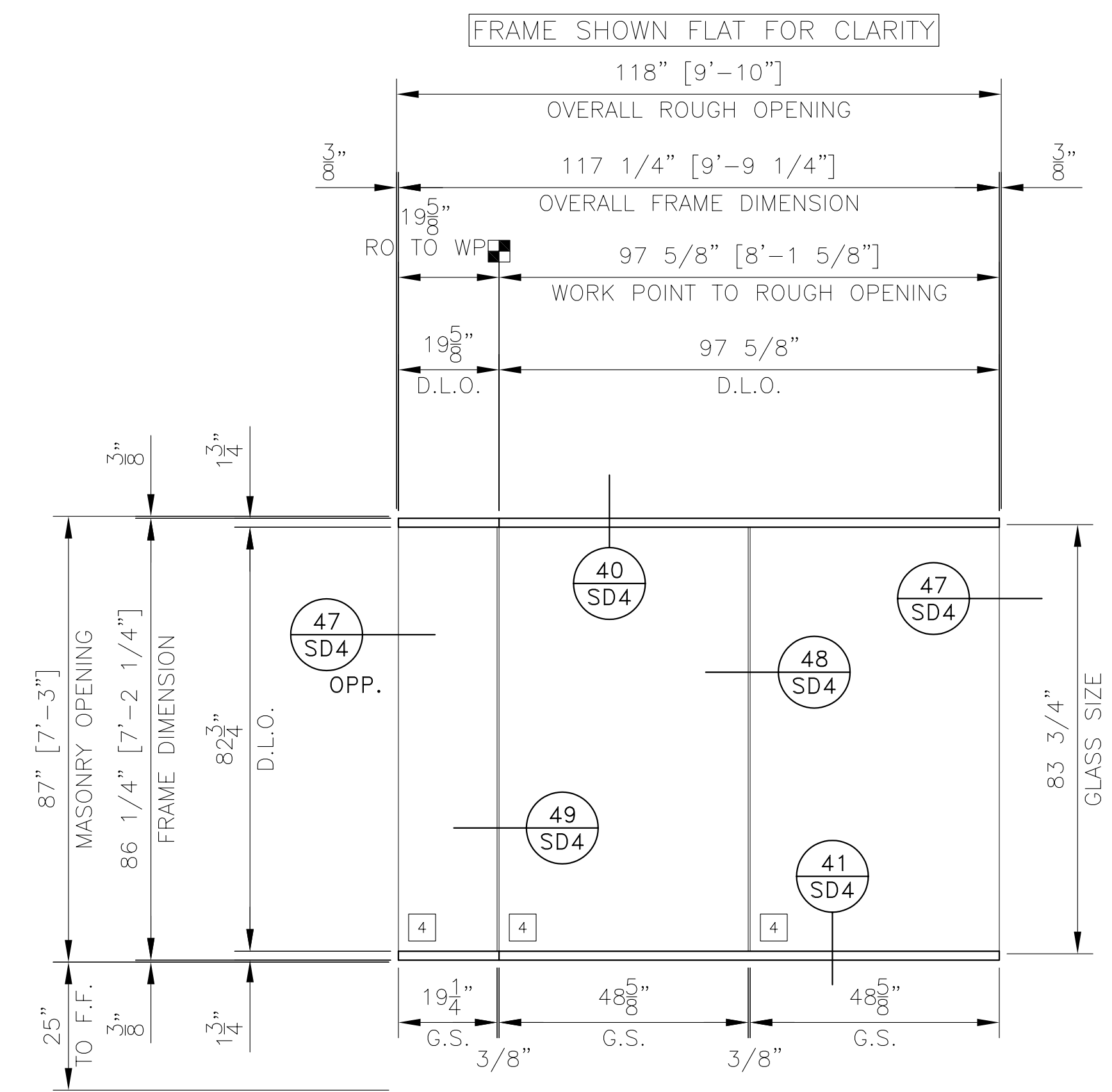
STOREFRONT TYPE '4' (1) REQ'D

SERIES: VISTAWALL 2000 DOOR FRAMING
SERIES: VISTAWALL 500 WIDE STILE DOORS
ARCHITECTURAL REF.: A1.1



STOREFRONT TYPE '5' (1) REQ'D

SERIES: VISTAWALL 2000 STOREFRONT
ARCHITECTURAL REF.: A1.2



STOREFRONT TYPE '7' (1) REQ'D

SERIES: VISTAWALL 2000 STOREFRONT
ARCHITECTURAL REF.: A1.2

- HARDWARE SET #25 (DOOR 205) -**
- 2 MARKER FM-100 CONT. HINGES
 - 1 VON DUPRIN C23347-SD PANIC DEVICE (ACTIVE LEAF)
 - 1 VON DUPRIN C23347-NL-OP PANIC DEVICE (INACTIVE LEAF)
 - 2 SCHLAGE MORTISE CYLINDERS
 - 1 SCHLAGE RM CYLINDER
 - 2 IVES 8190-0 OFFSET DOOR PULLS
 - 2 LGN 4111 SURFACE CLOSERS
 - 2 LGN 7800-0 OVERHEAD DOOR STOPS
 - 2 IVES FS438 DOME STOPS
 - 2 LGN 7800 SERIES MAGNETIC HOLD OPEN SEN
 - 2 IVES SR84 SILENCERS

REVISIONS:	DATE:	BY:
△ PER ARCHITECTS NOTES	04/10/06	GRI

GLAZING CONTRACTOR:

ARCHITECT: **VISION**
251 DEDHAM STREET PROVIDENCE, RHODE ISLAND 02905 401-461-7771

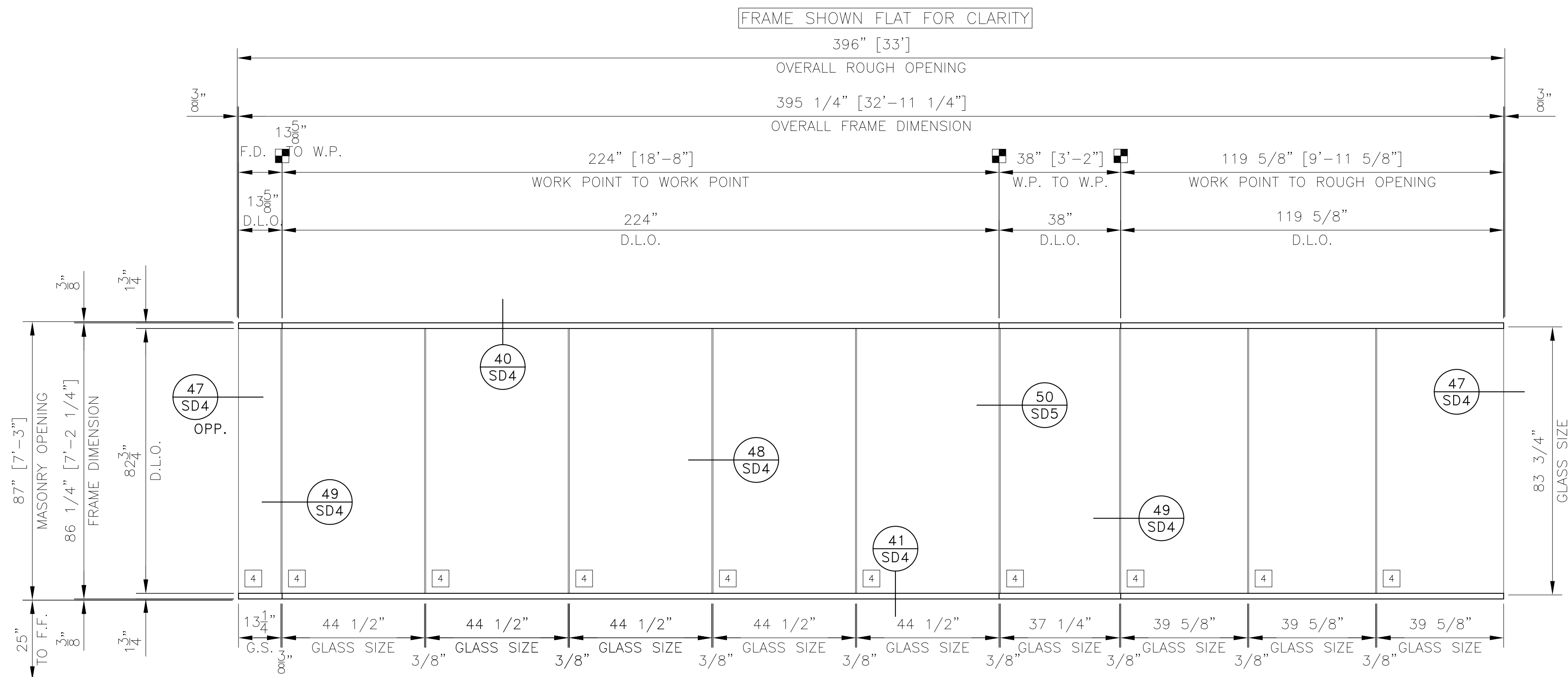
STOREFRONT ELEVATIONS

PROJECT: HOPE DINING HALL
LOCATION: UNIVERSITY OF RHODE ISLAND
KINGSTON, RHODE ISLAND

Glazier's Resource Inc.
1 Year / 5 Year / Lifetime Design and Drafting
210 NORTH STATE ST. SUITE 101
CONCORD, NH 03301-5222
TEL: 603.860.0198
www.glaziersresource.com

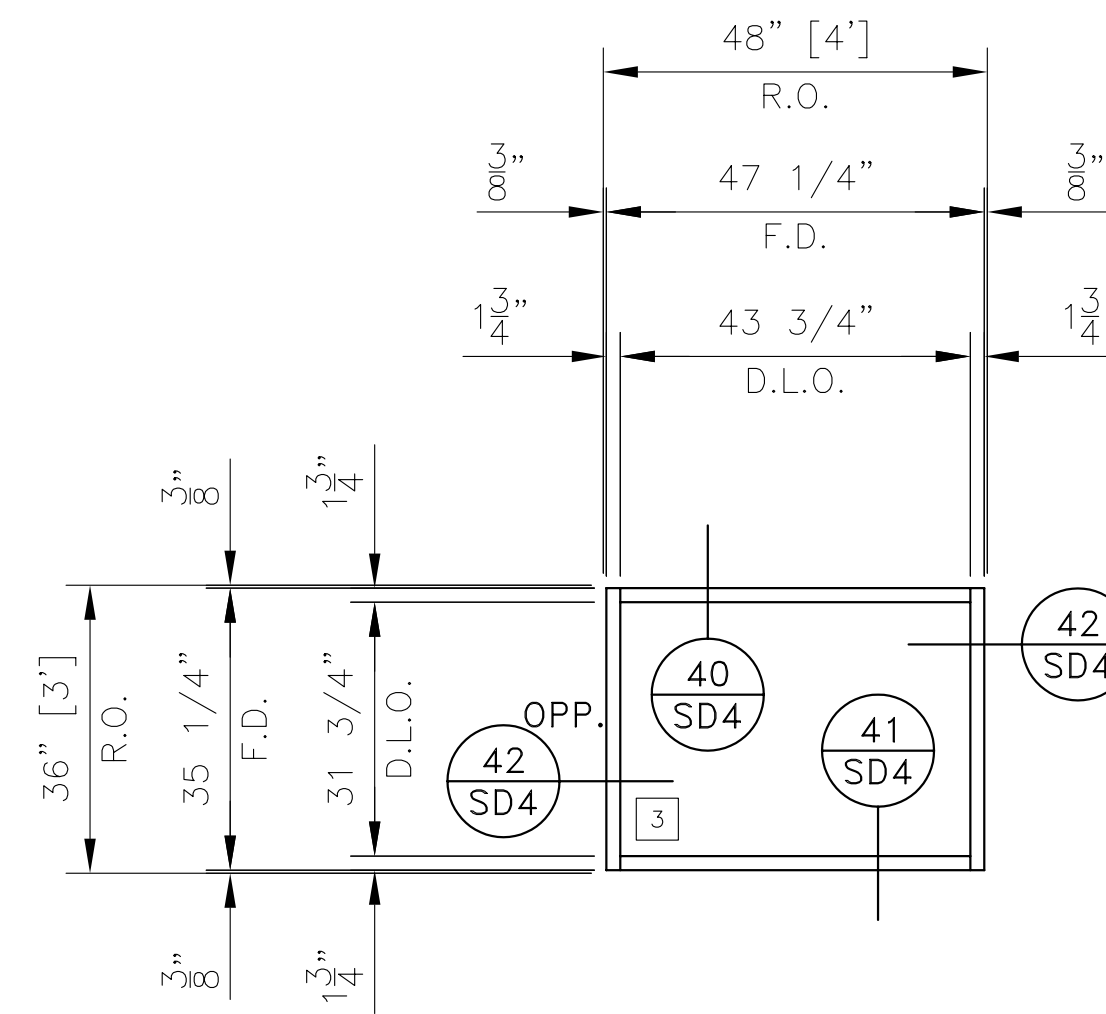
SCALE: 1/2" = 1'
DATE: 02.03.06
PROJECT: GR06-0007A
SHEET:

SE7



STOREFRONT TYPE '6' (1) REQ'D

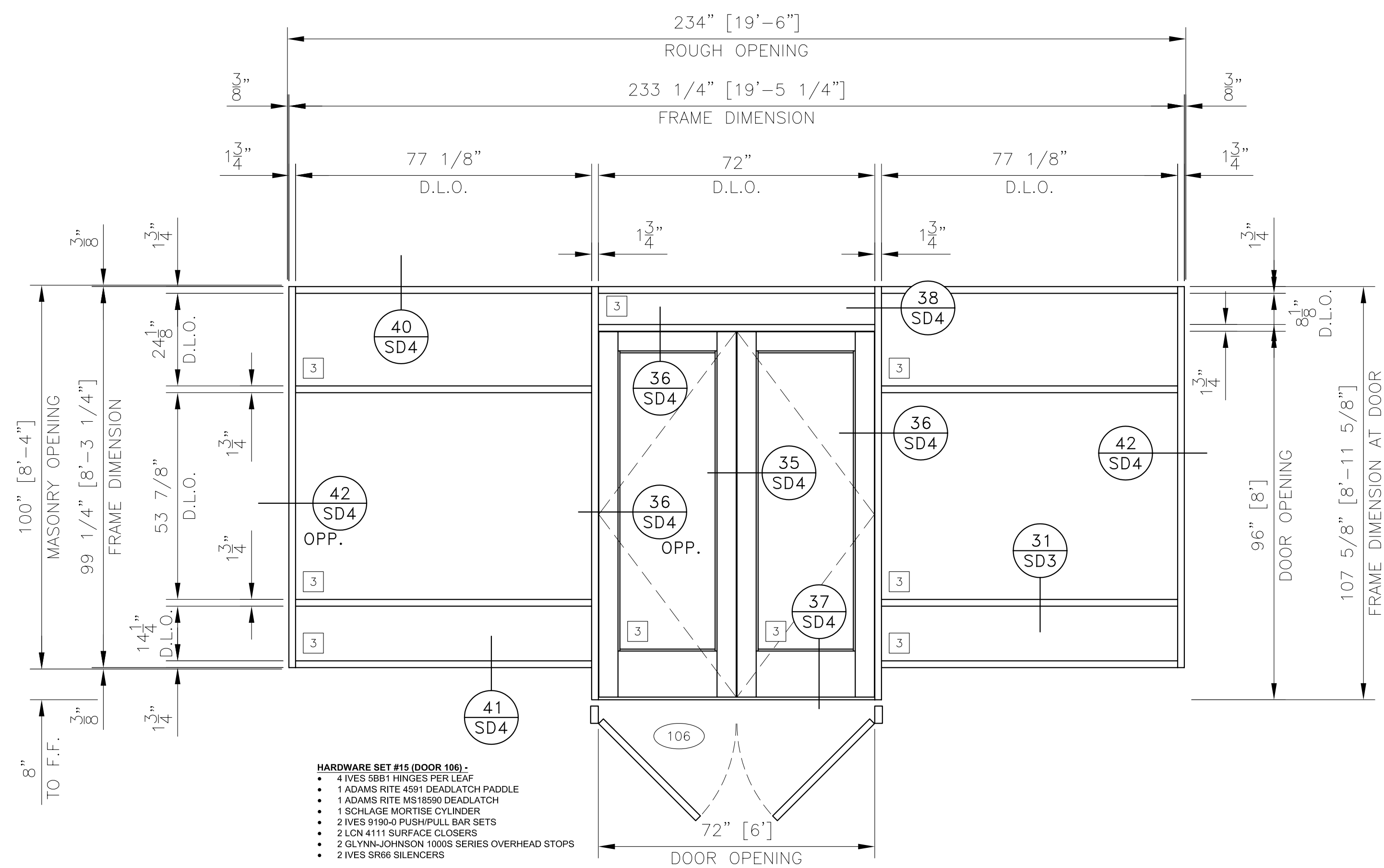
SERIES: VISTAWALL 2000 STOREFRONT
ARCHITECTURAL REF.: A1.2



STOREFRONT TYPE '9' (2) REQ'D

SERIES: VISTAWALL 2000 STOREFRONT
ARCHITECTURAL REF.: A1.1

NOTE - ALL DIMENSIONS TO BE FIELD VERIFIED PRIOR TO FABRICATION



- HARDWARE SET #15 (DOOR 180)**
- 4 IVES 5681 HINGES PER LEAF
 - 1 ADAMS RITE 4591 DEADLATCH PADDLE
 - 1 ADAMS RITE MS18500 DEADLATCH
 - 1 SCHLAGE MORTISE CYLINDER
 - 2 IVES 9190-0 PUSH/PULL BAR SETS
 - 2 ICKN 4111 SURFACE CLOSERS
 - 2 GLYNN-JOHNSON 1000S SERIES OVERHEAD STOPS
 - 2 IVES SR66 SILENCERS

STOREFRONT TYPE '8' (1) REQ'D

SERIES: VISTAWALL 2000 STOREFRONT
SERIES: VISTAWALL 2000 DOOR FRAMING
SERIES: VISTAWALL 500 WIDE STILE DOORS
ARCHITECTURAL REF.: A1.1

BY:	GRI
DATE:	04/10/06
REVISIONS:	PER ARCHITECTS NOTES

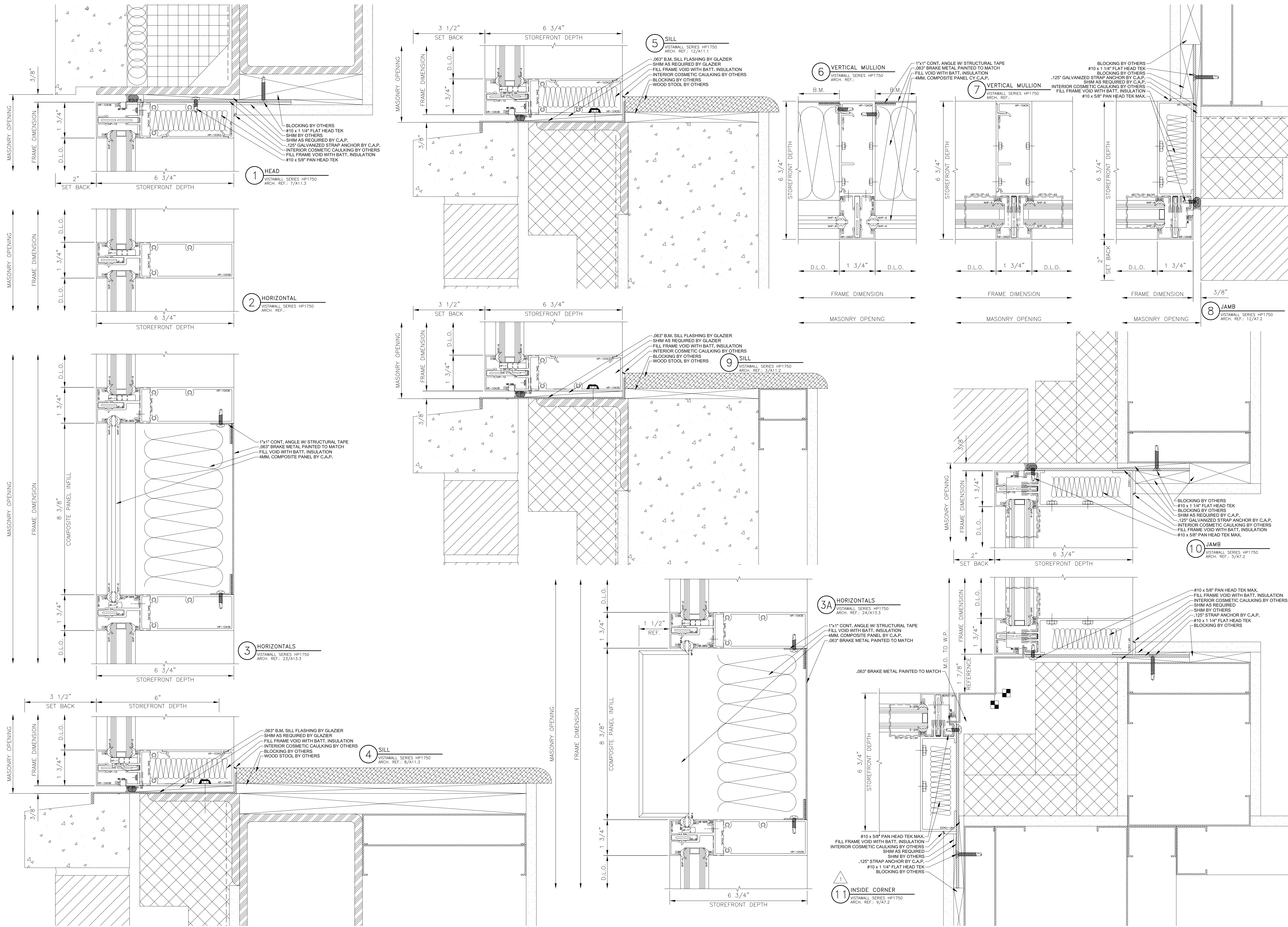
GLAZING CONTRACTOR:

ARCHITECT:
VISION
251 DEDHAM STREET PROVIDENCE, RHODE ISLAND 02905 401-461-7771

STOREFRONT ELEVATIONS
PROJECT: HOPE DINING HALL
LOCATION: UNIVERSITY OF RHODE ISLAND
KINGSTON, RHODE ISLAND

Glazier's Resource Inc.
"Your Glass & Glazing Design and Drafting"
218 NORTH STATE ST., SUITE 10
CONCORD, NH 03301-5322
PH: 603.860.0186
www.glaziersresource.com

SCALE: 1/2" = 1'
DATE: 02.03.06
PROJECT: GR06-0007A
SHEET: **SE8**



BY:	GRI
DATE:	04/10/06
REVISIONS:	PER ARCHITECTS NOTES

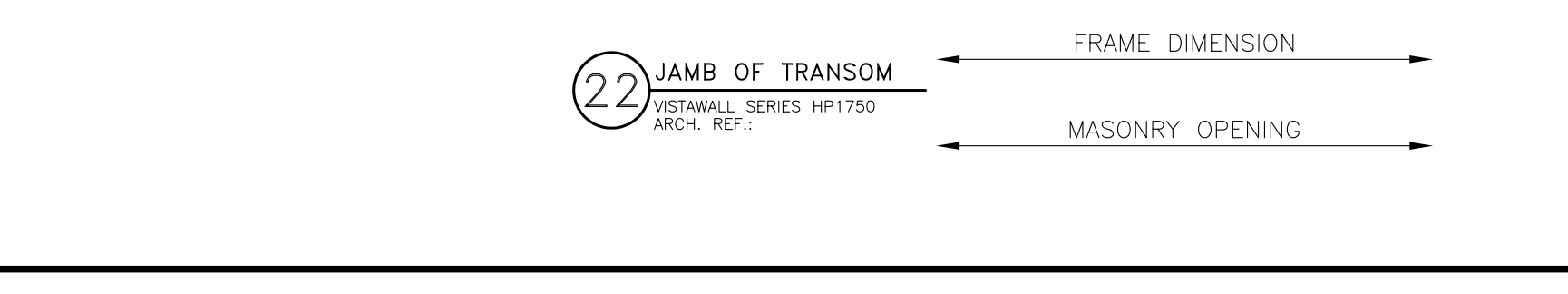
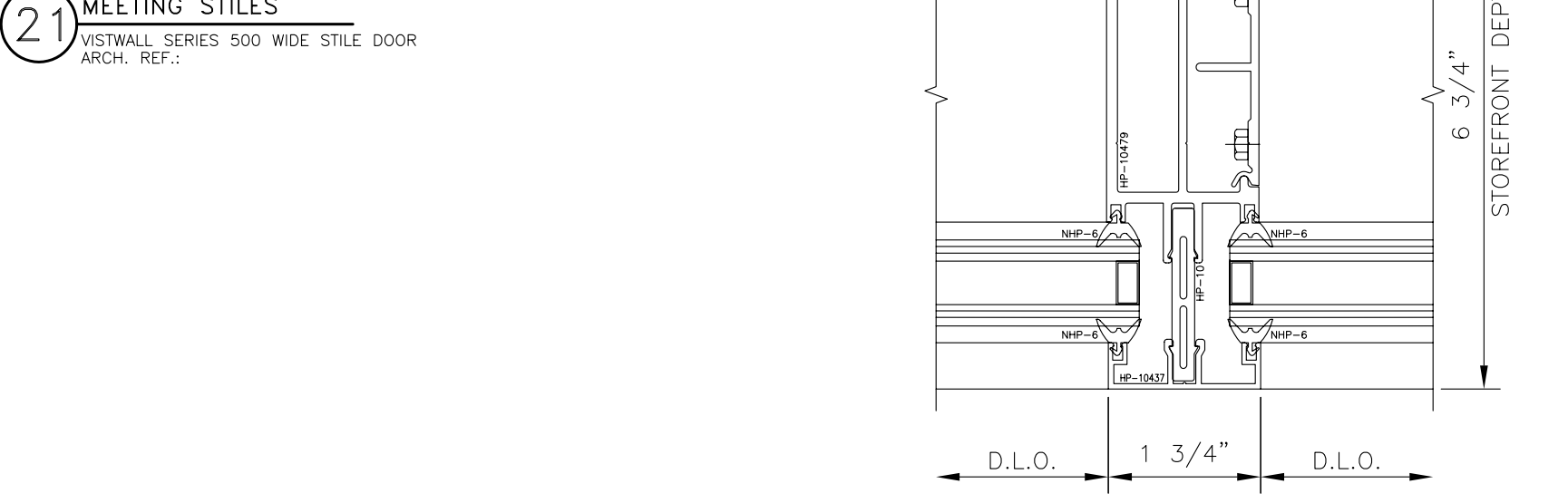
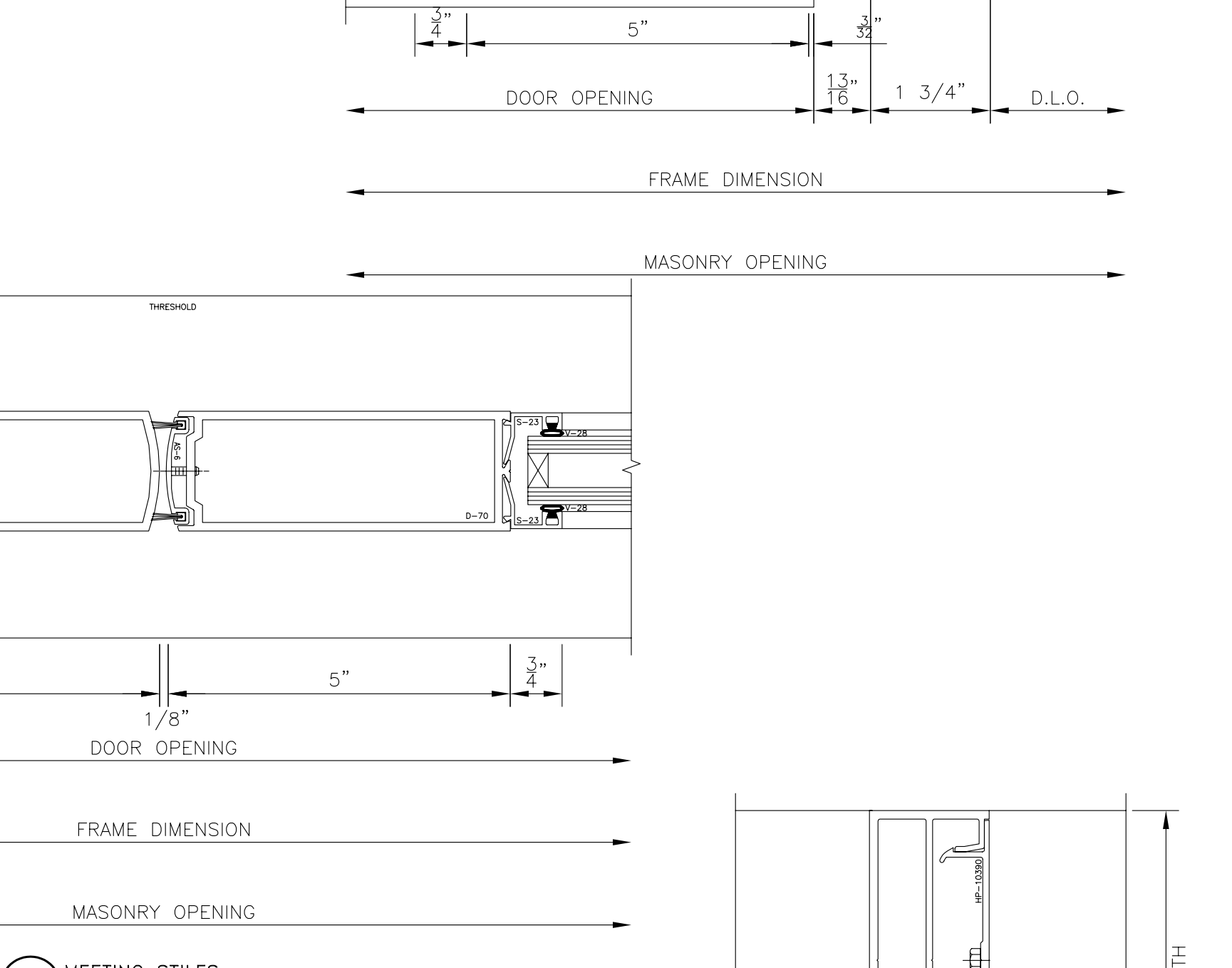
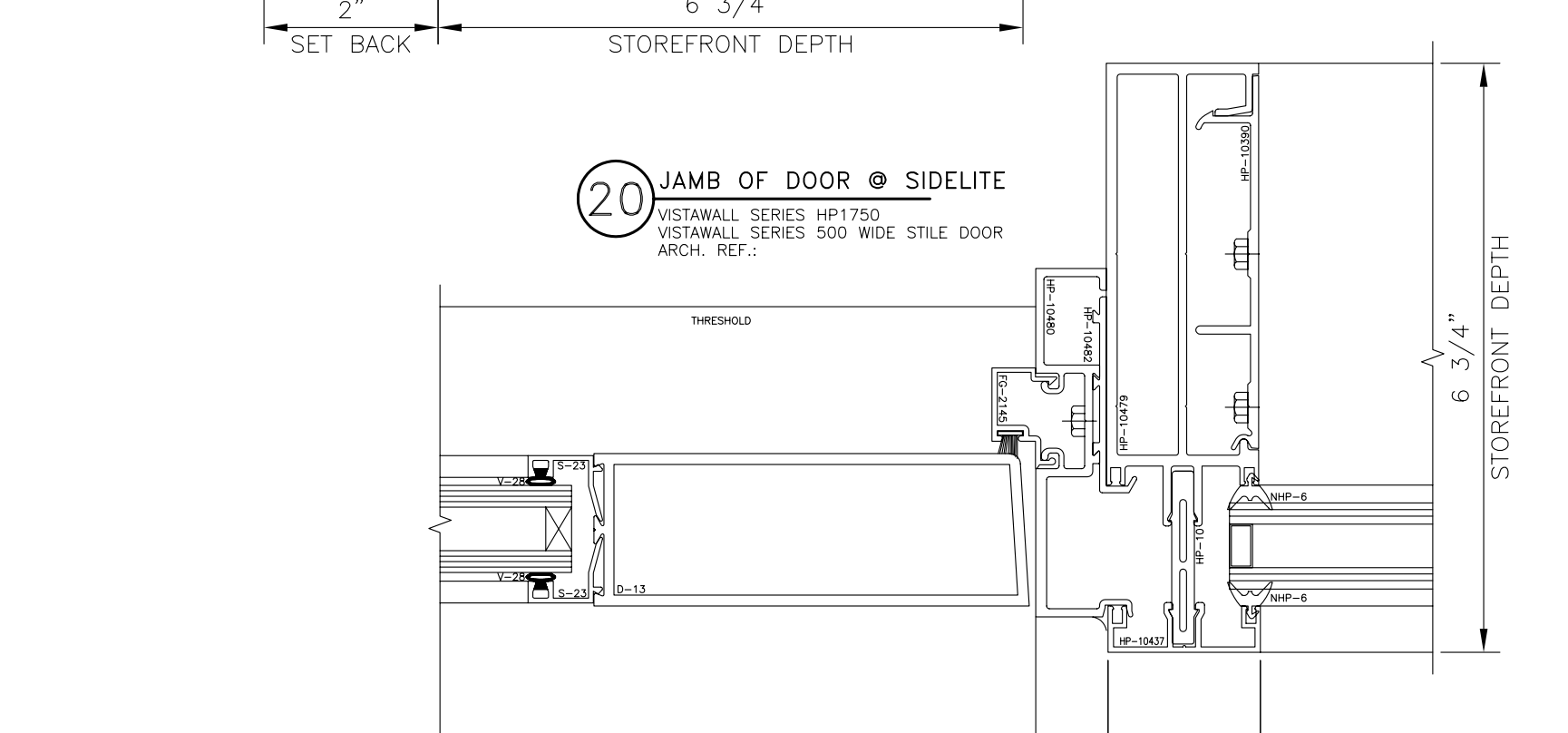
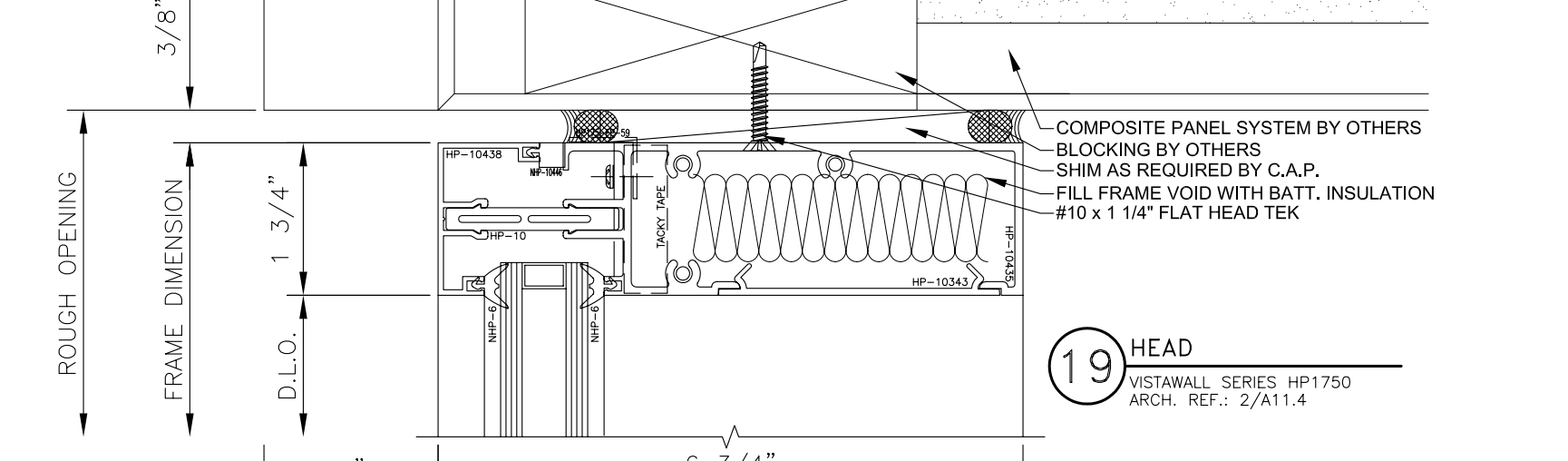
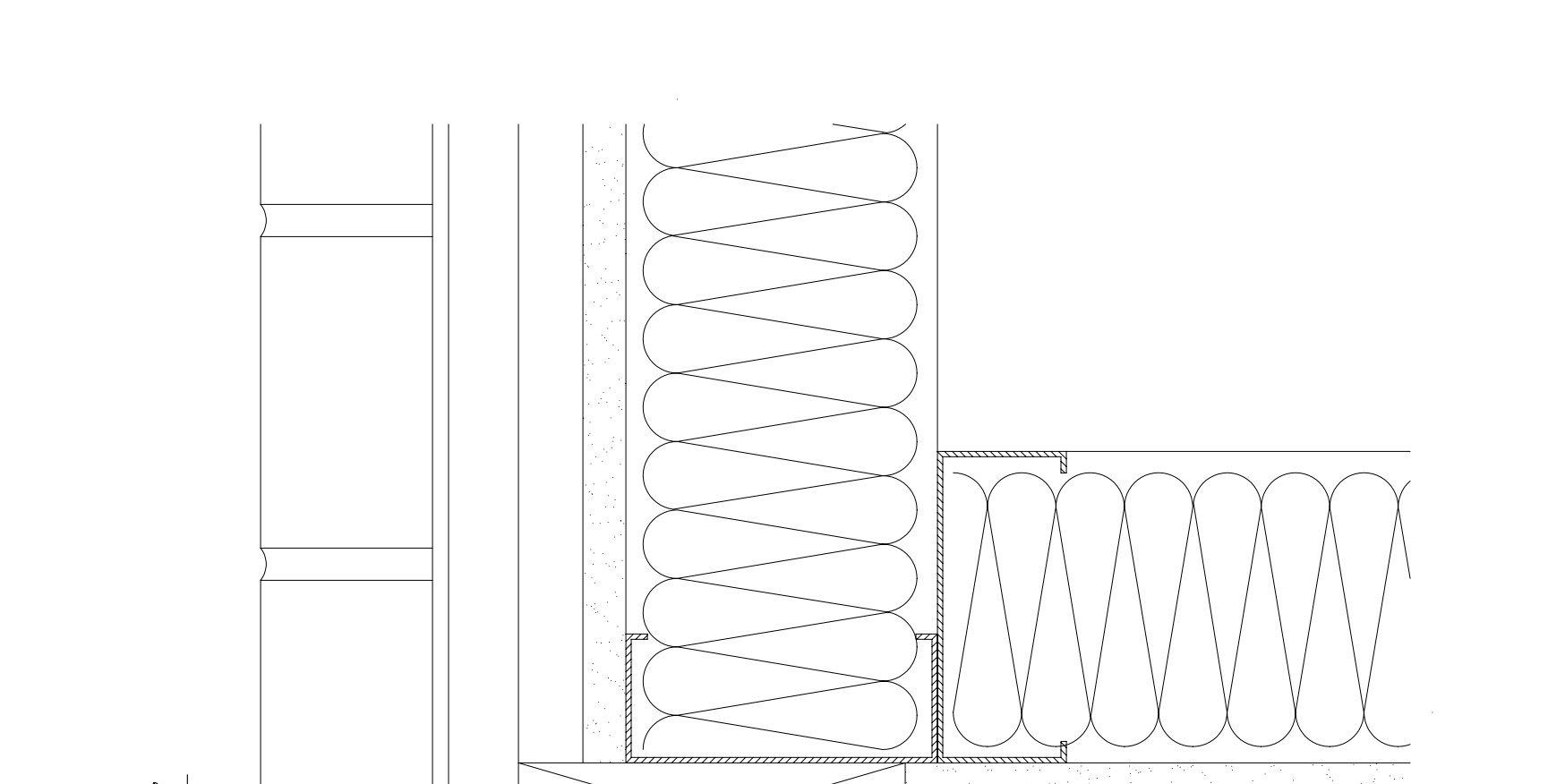
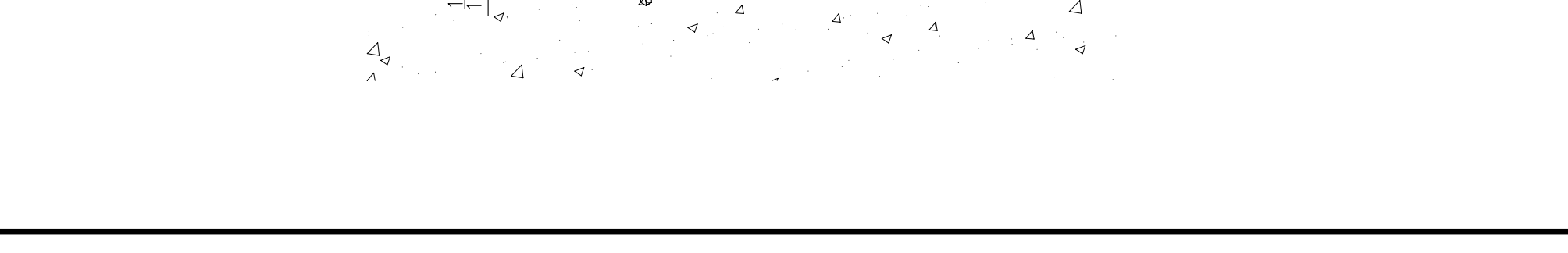
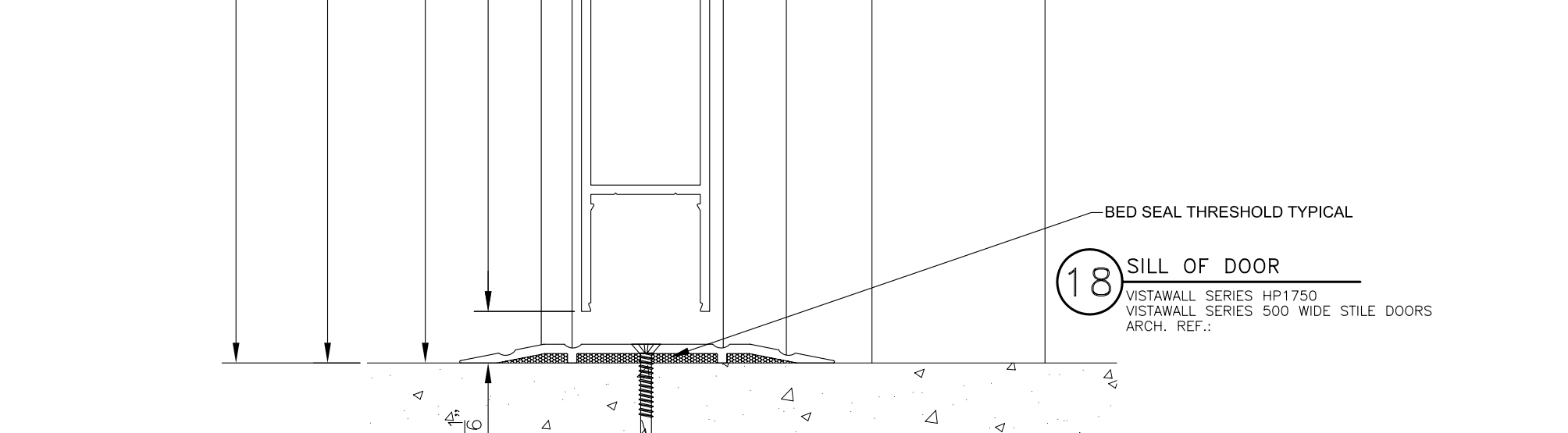
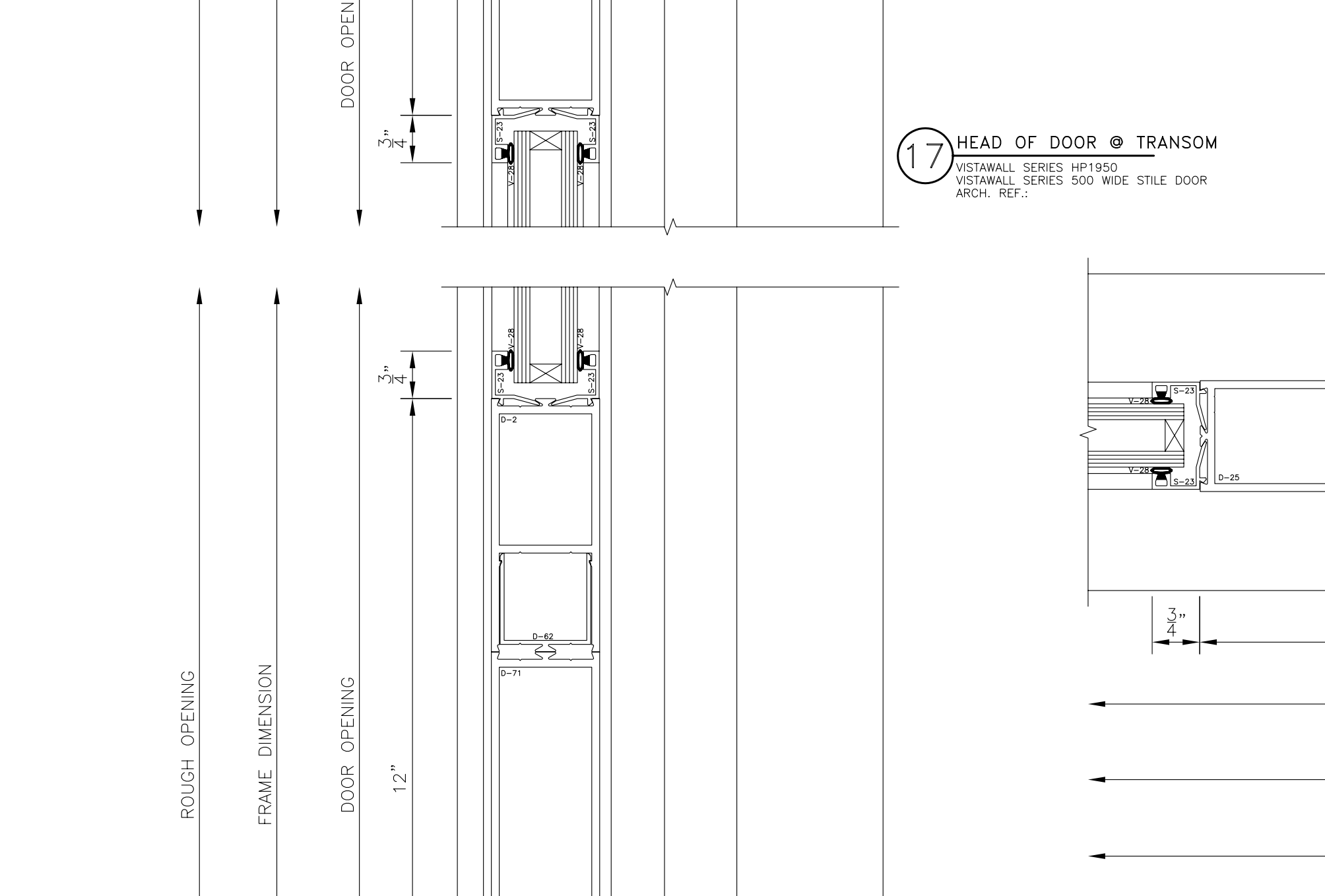
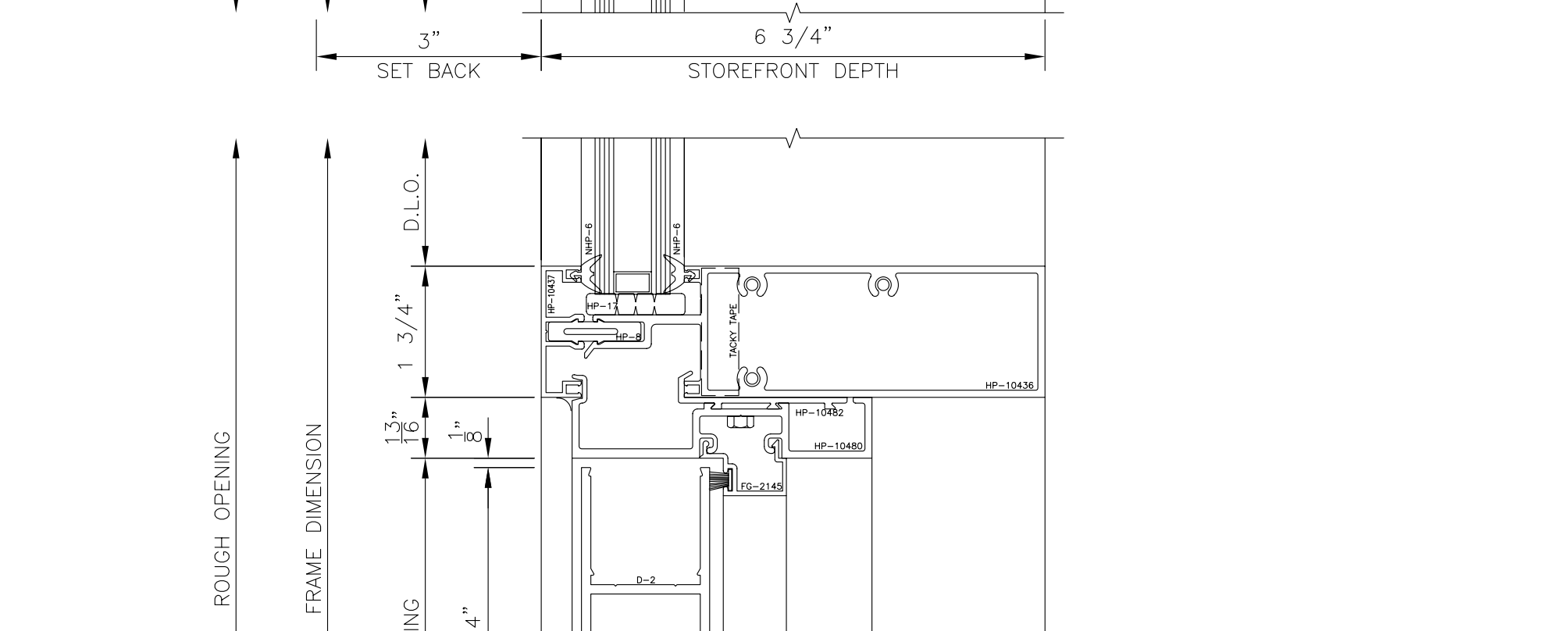
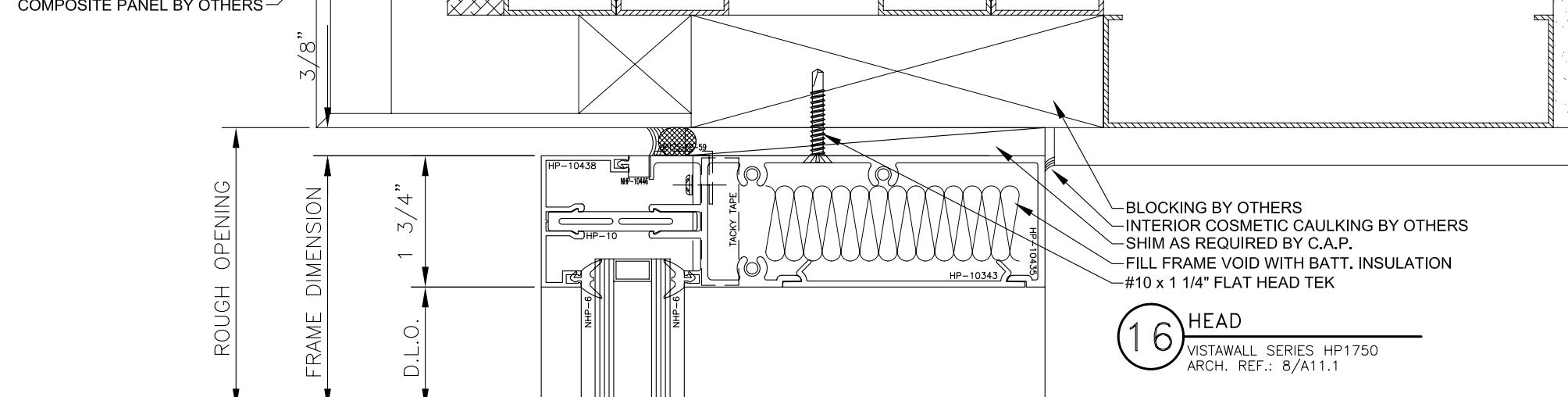
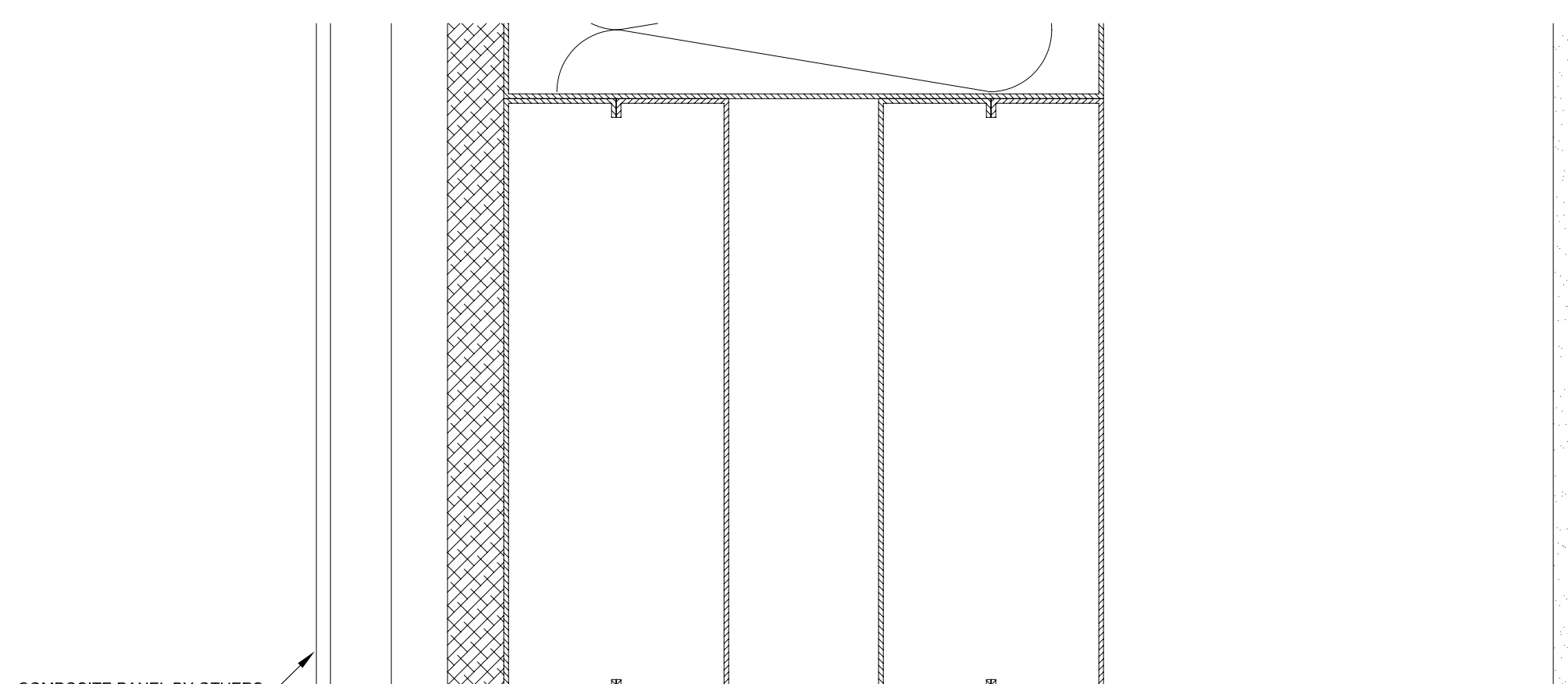
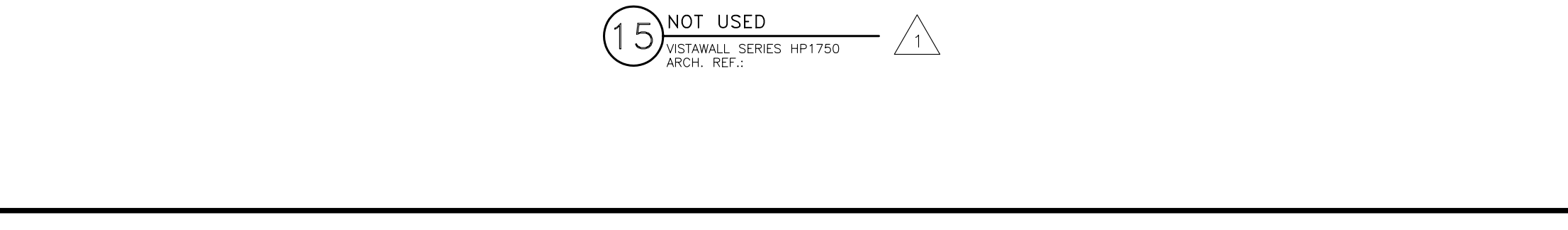
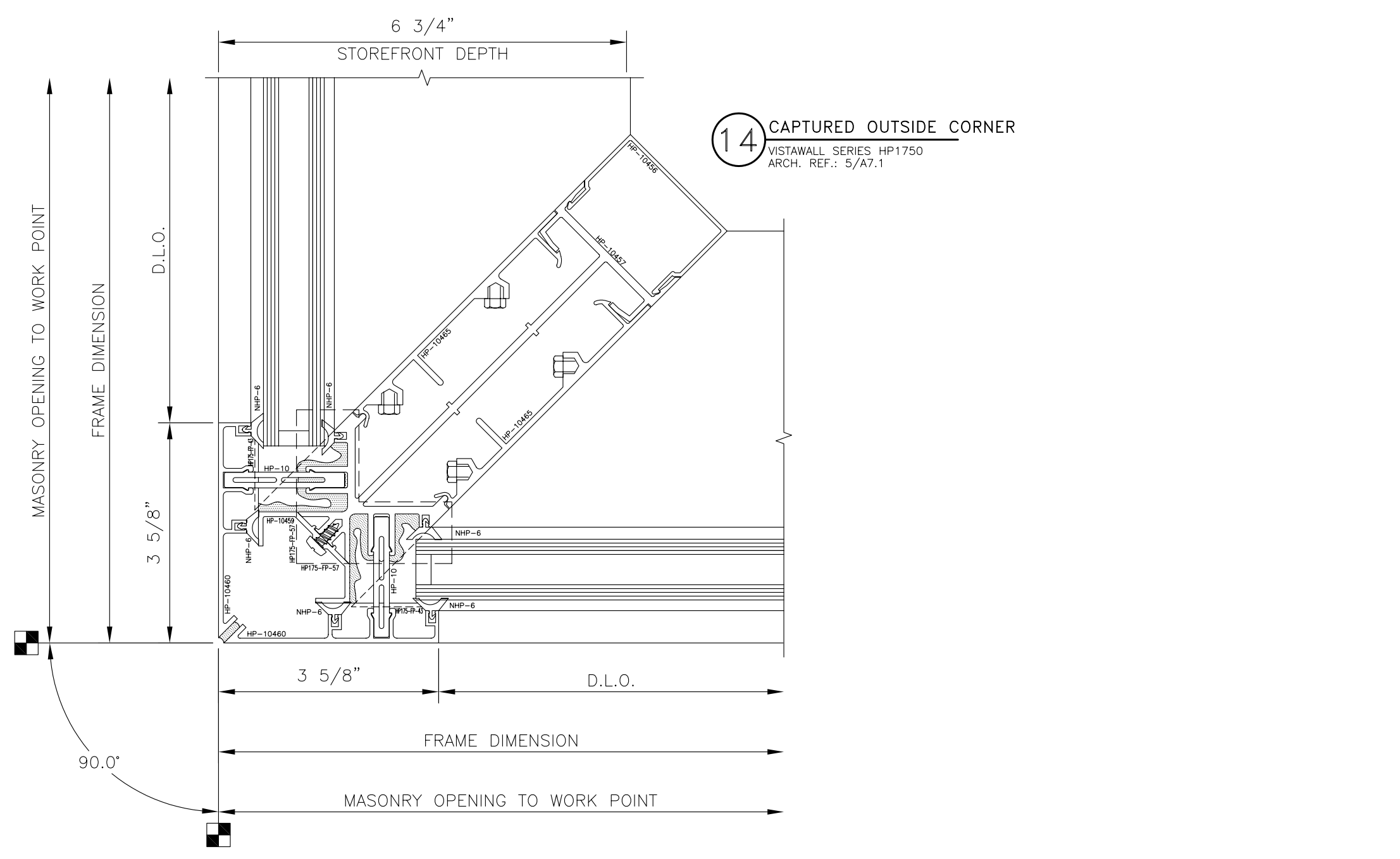
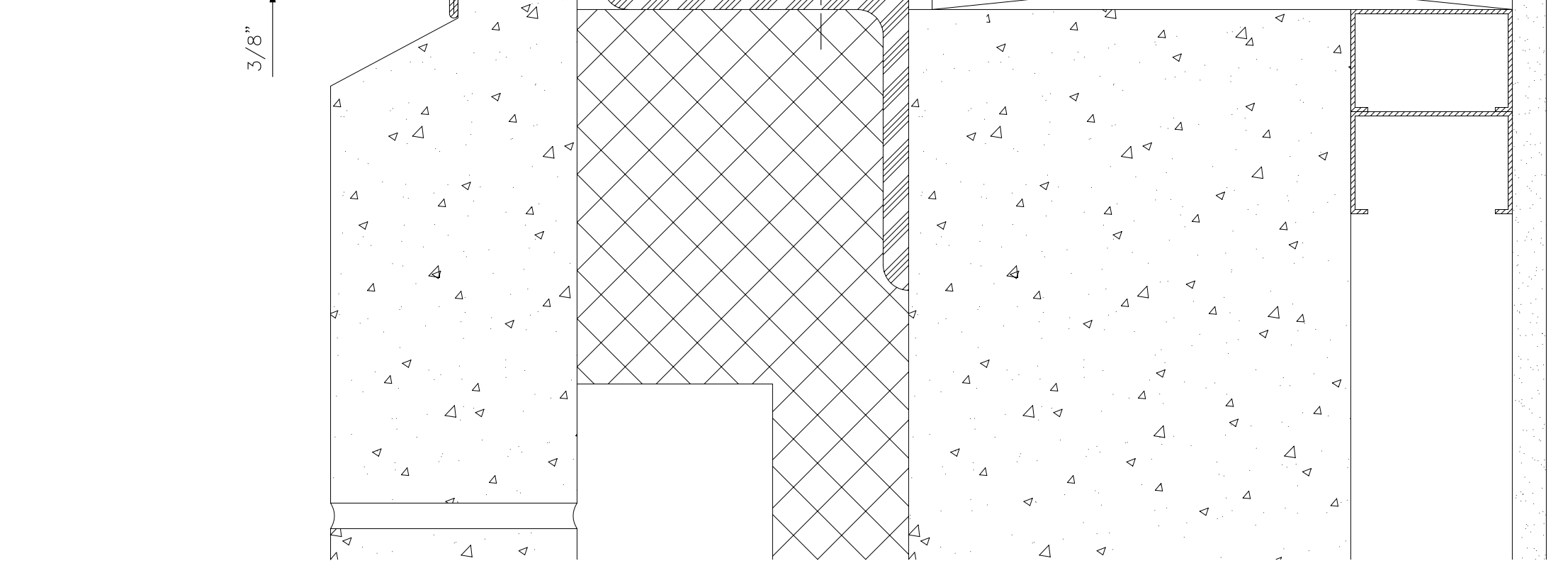
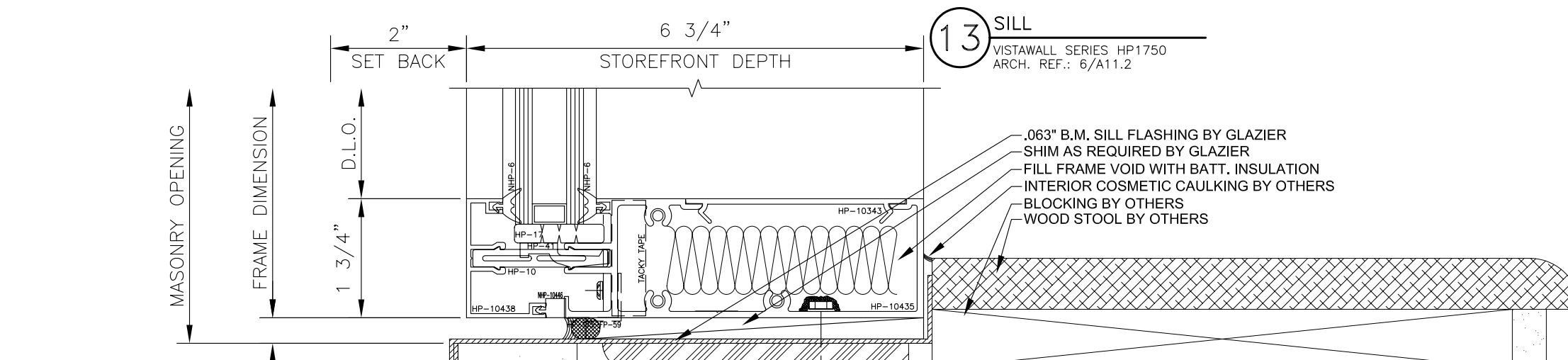
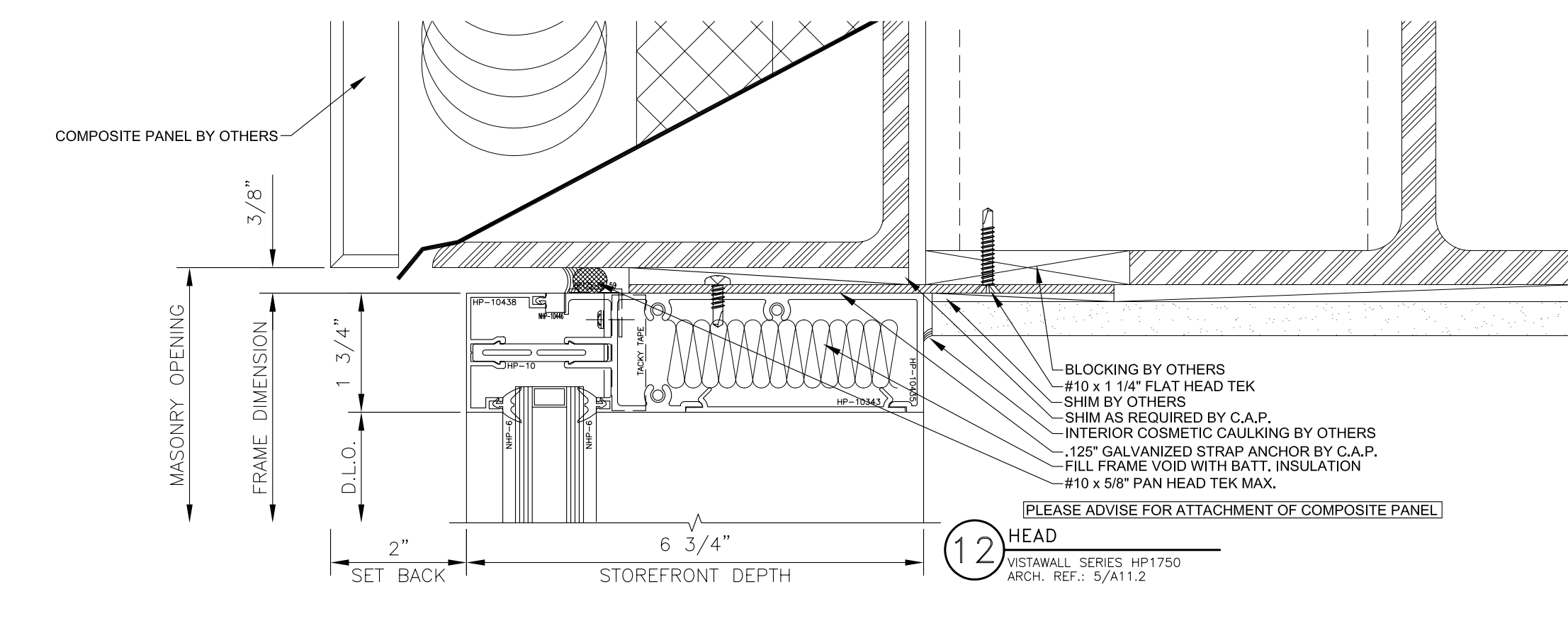
GLAZING CONTRACTOR:

ARCHITECT:
VISION
255 DEWANEY STREET PROVIDENCE, RHODE ISLAND 02905 401-847-7771

STOREFRONT DETAILS
PROJECT: HOPE DINING HALL
LOCATION: UNIVERSITY OF RHODE ISLAND
KINGSTON, RHODE ISLAND

Glazier's Resource Inc.
"Your Glazing Partner"
218 NORTH STATE ST. SUITE 105
CONCORD, NH 03301-3222
PH: 603.860.0198
www.glaziersresource.com

SCALE: HALF
DATE: 02.03.06
PROJECT: GR06-0007A
SHEET: **SD1**



BY:	GRI
DATE:	04/10/06
REVISIONS:	PER ARCHITECTS NOTES

GLAZING CONTRACTOR:

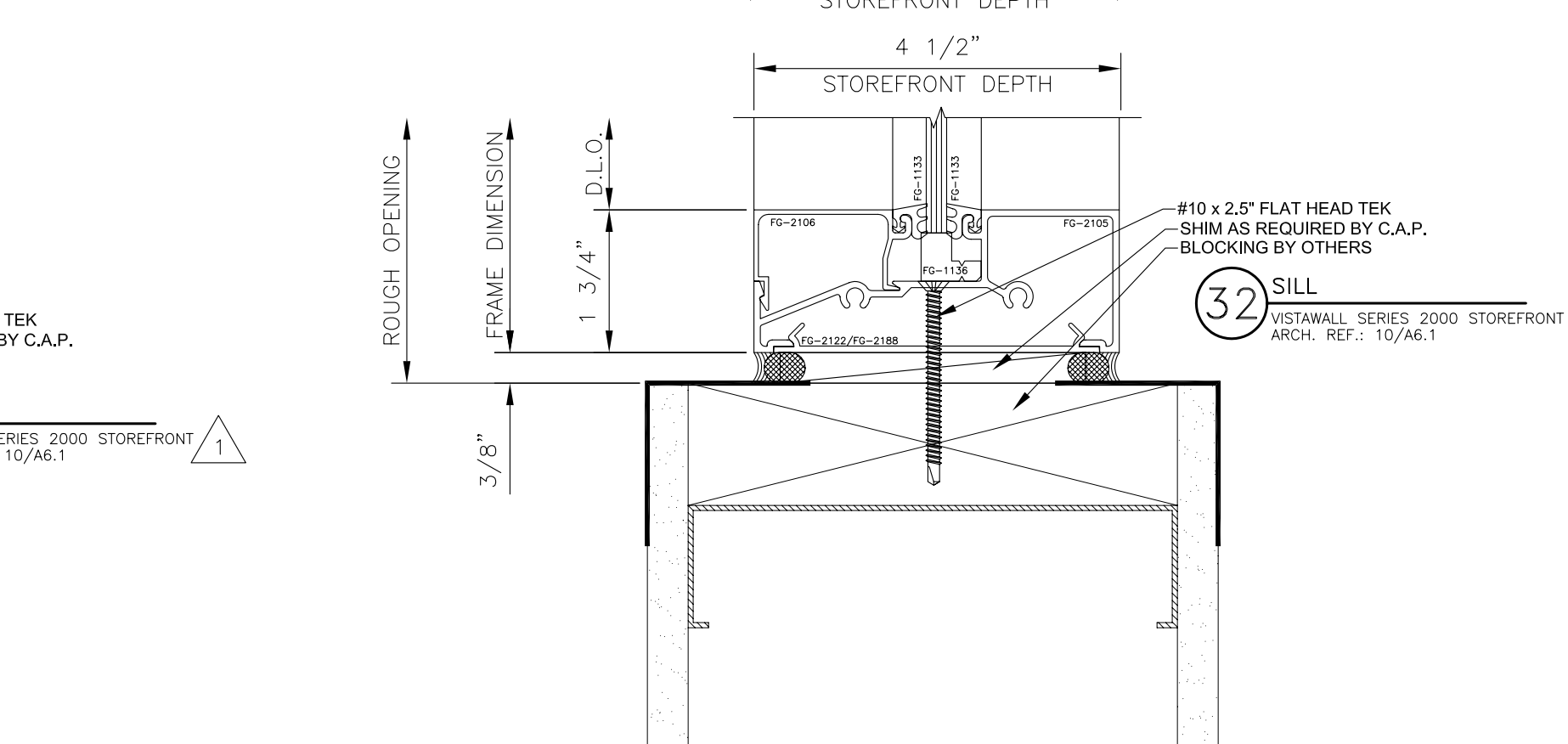
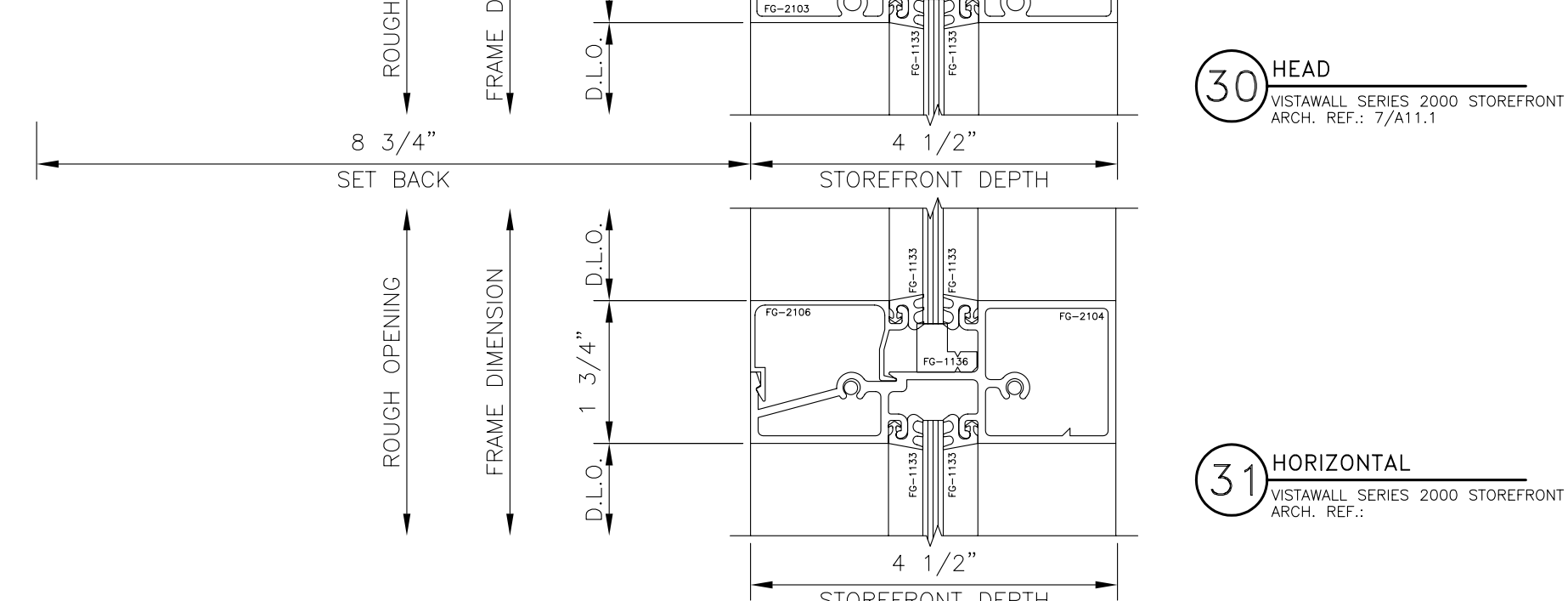
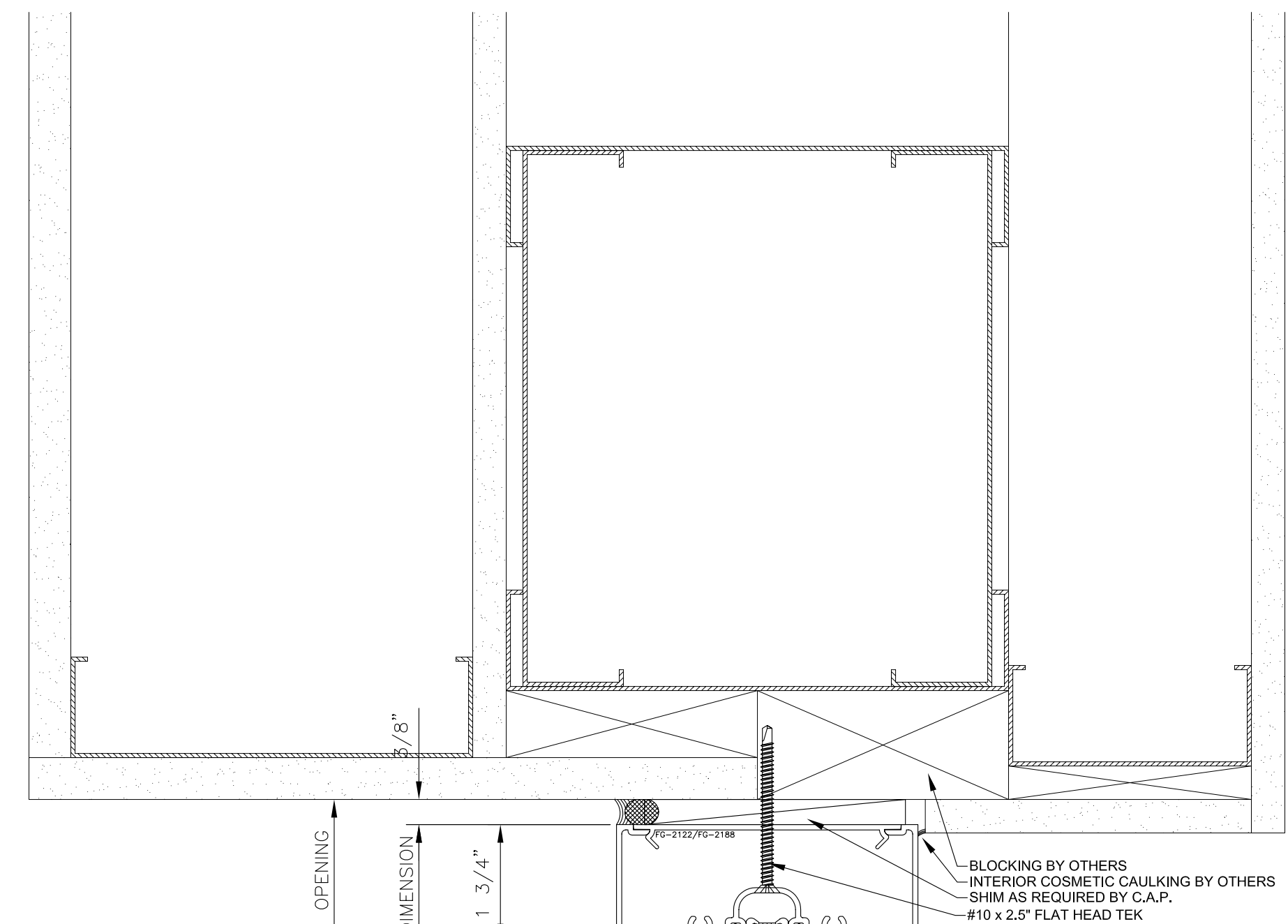
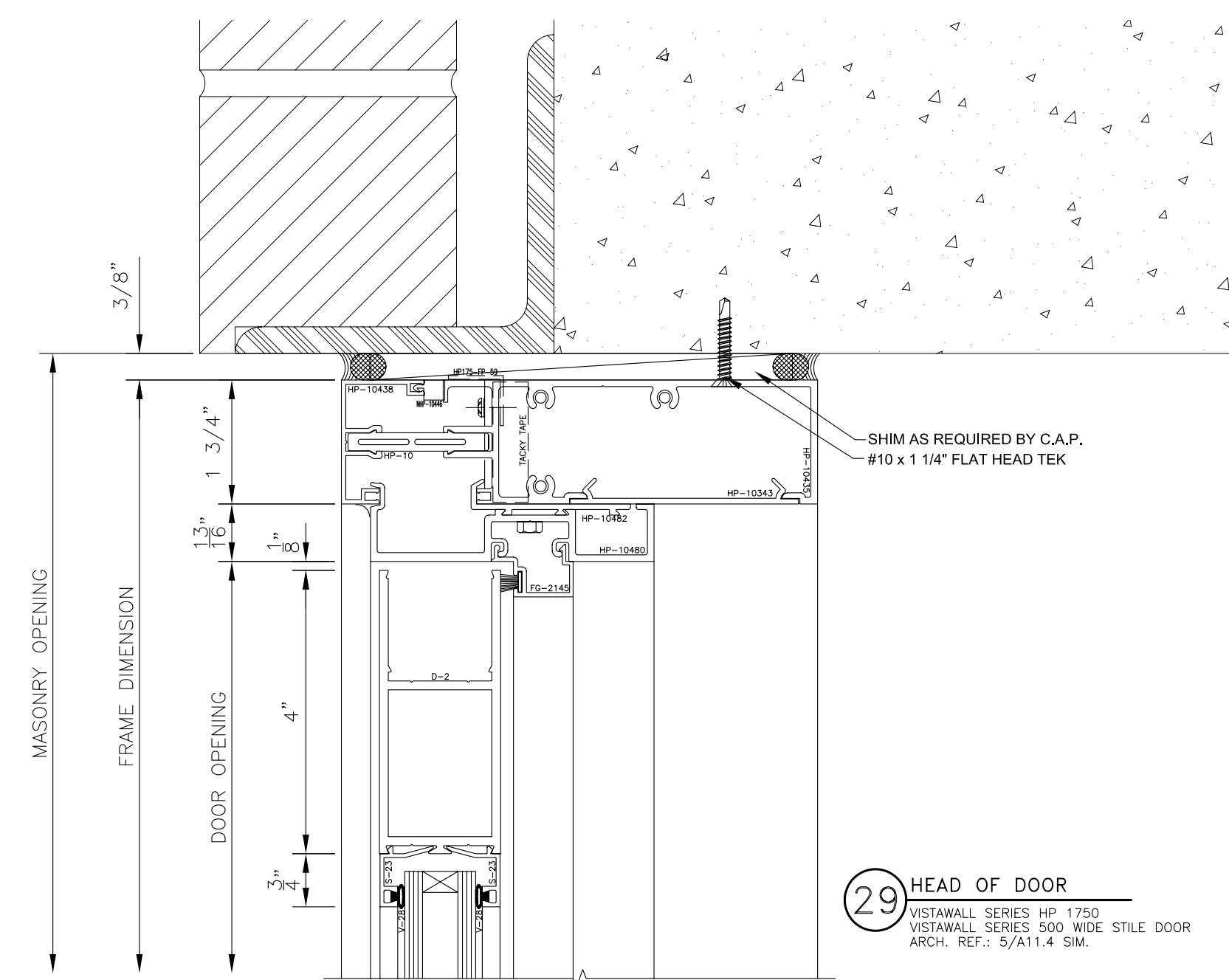
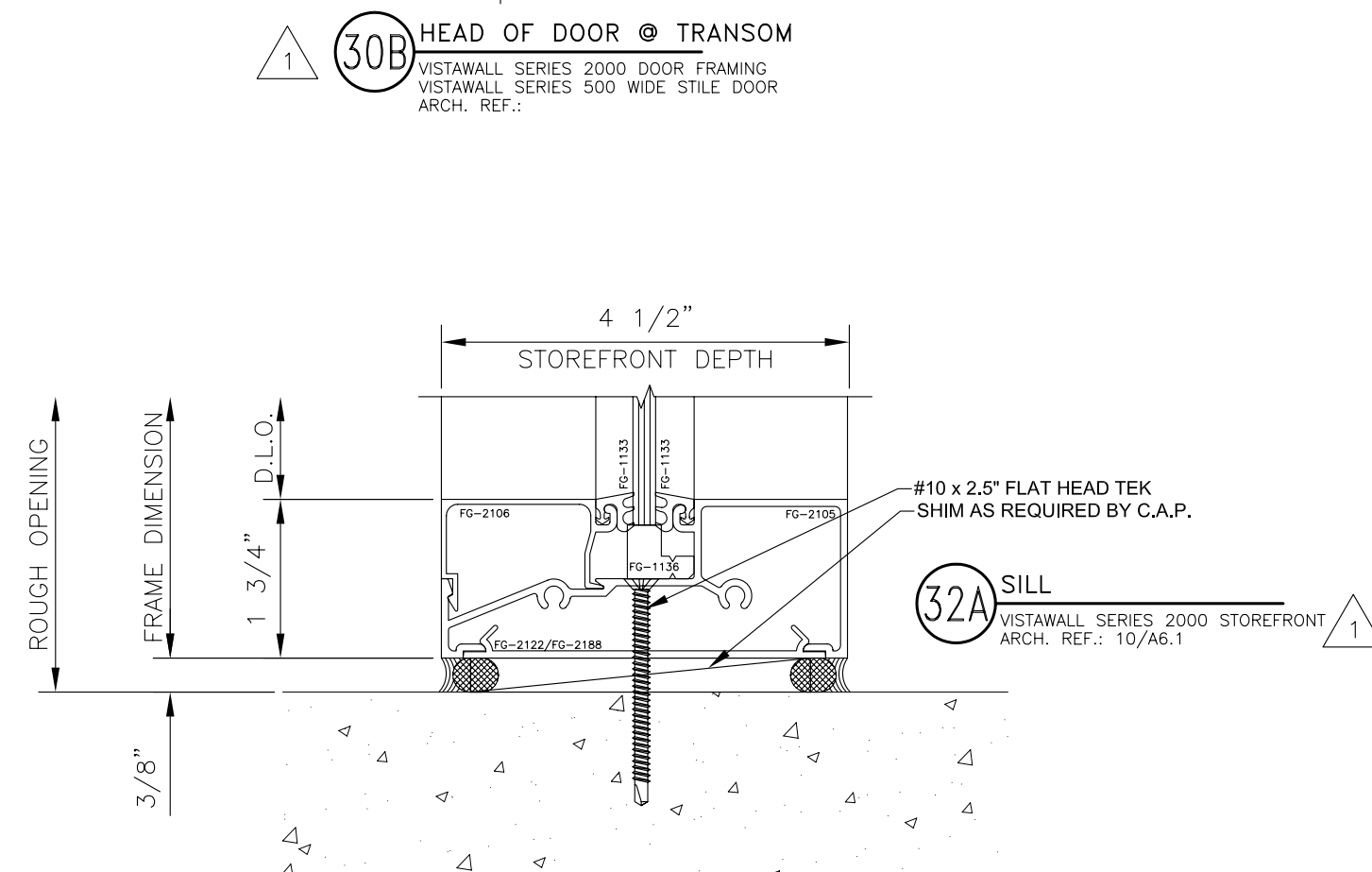
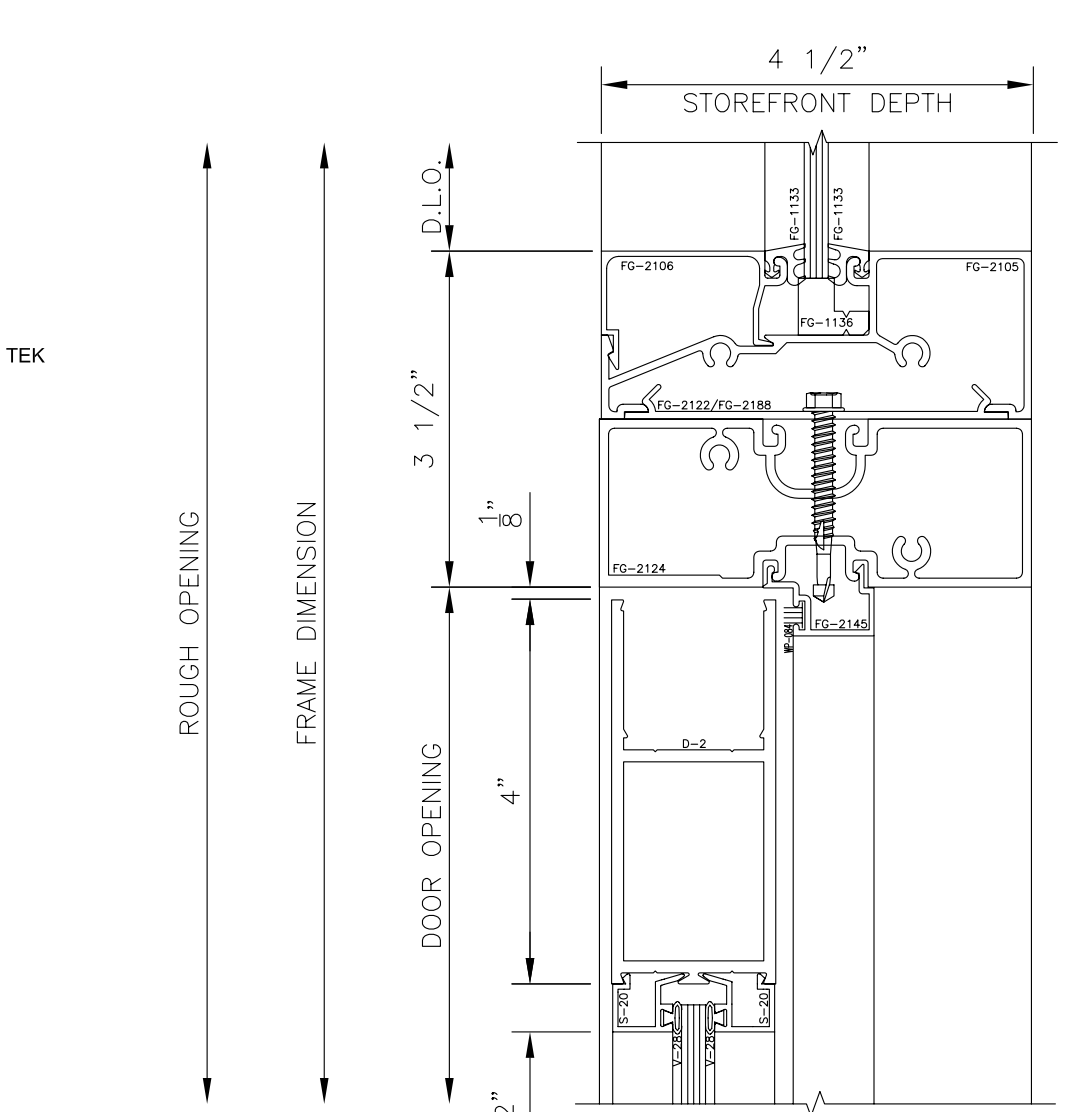
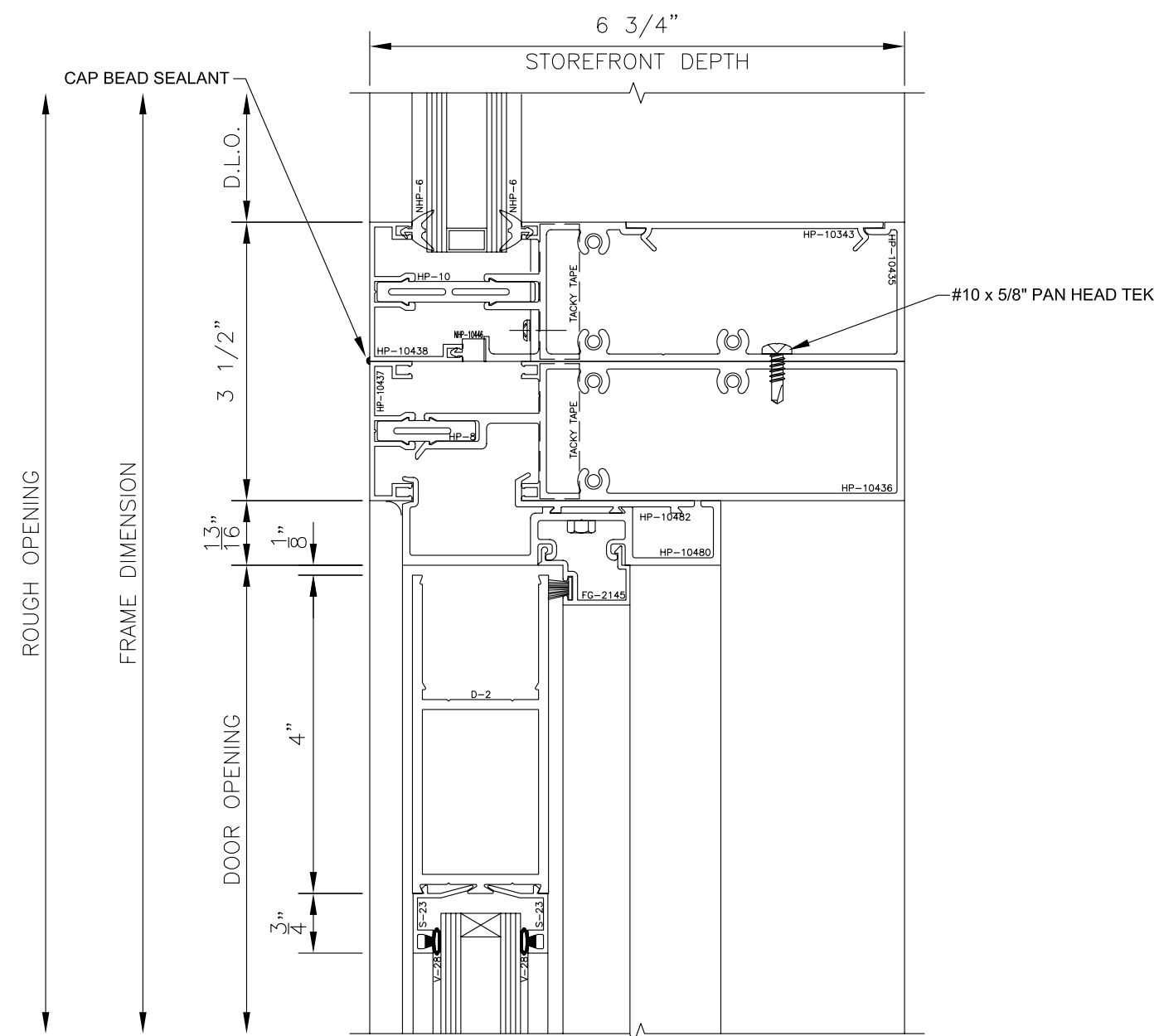
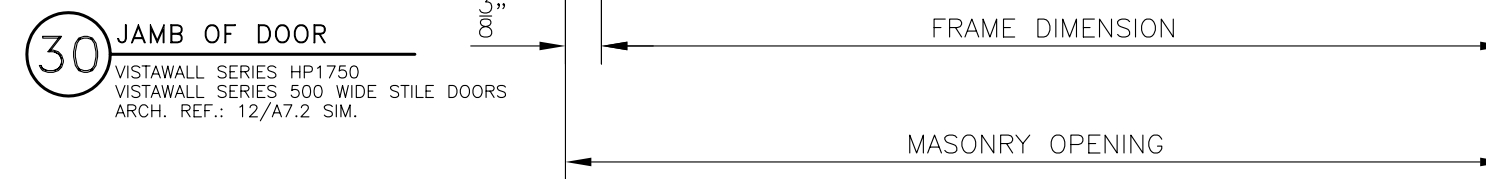
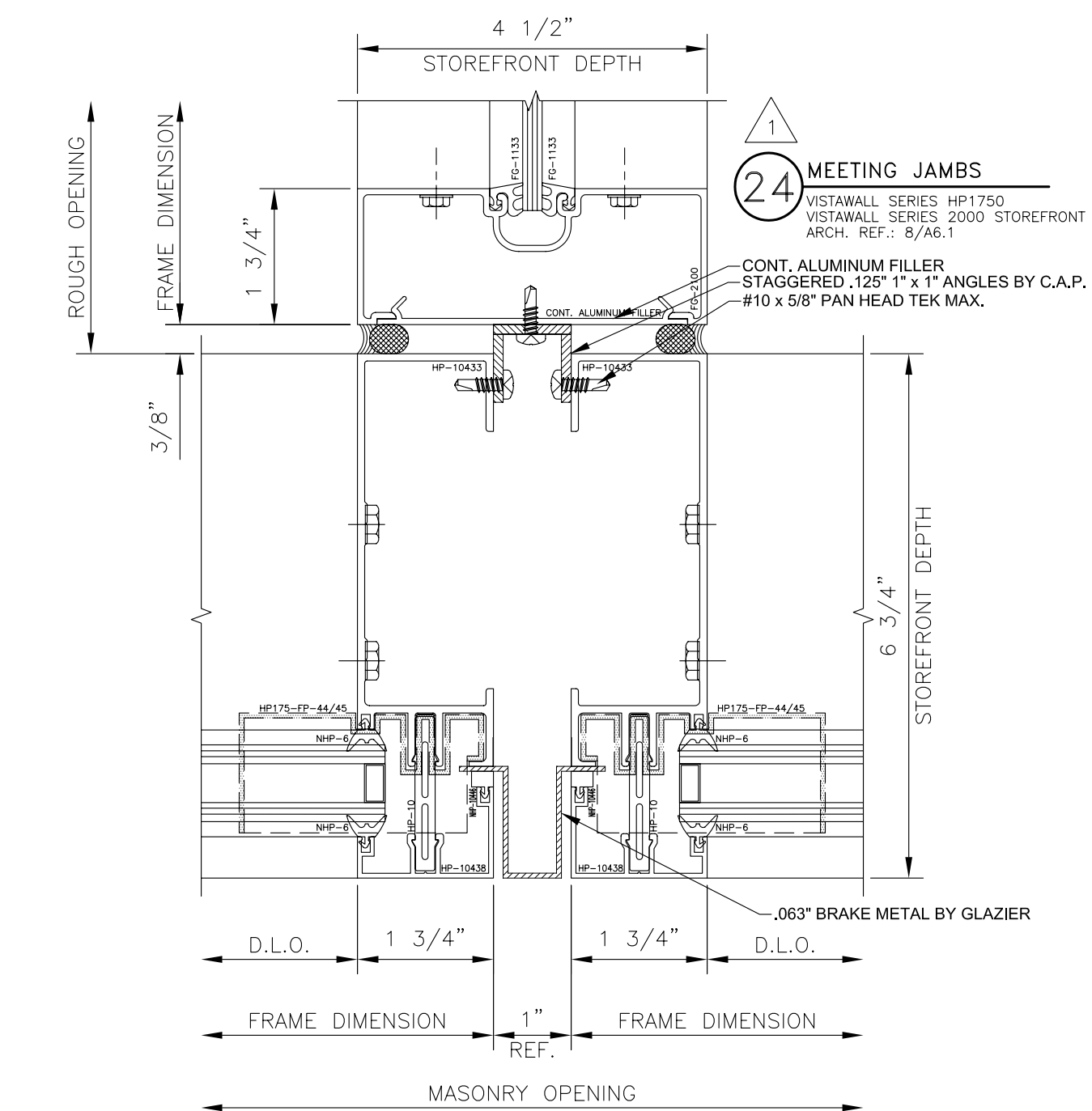
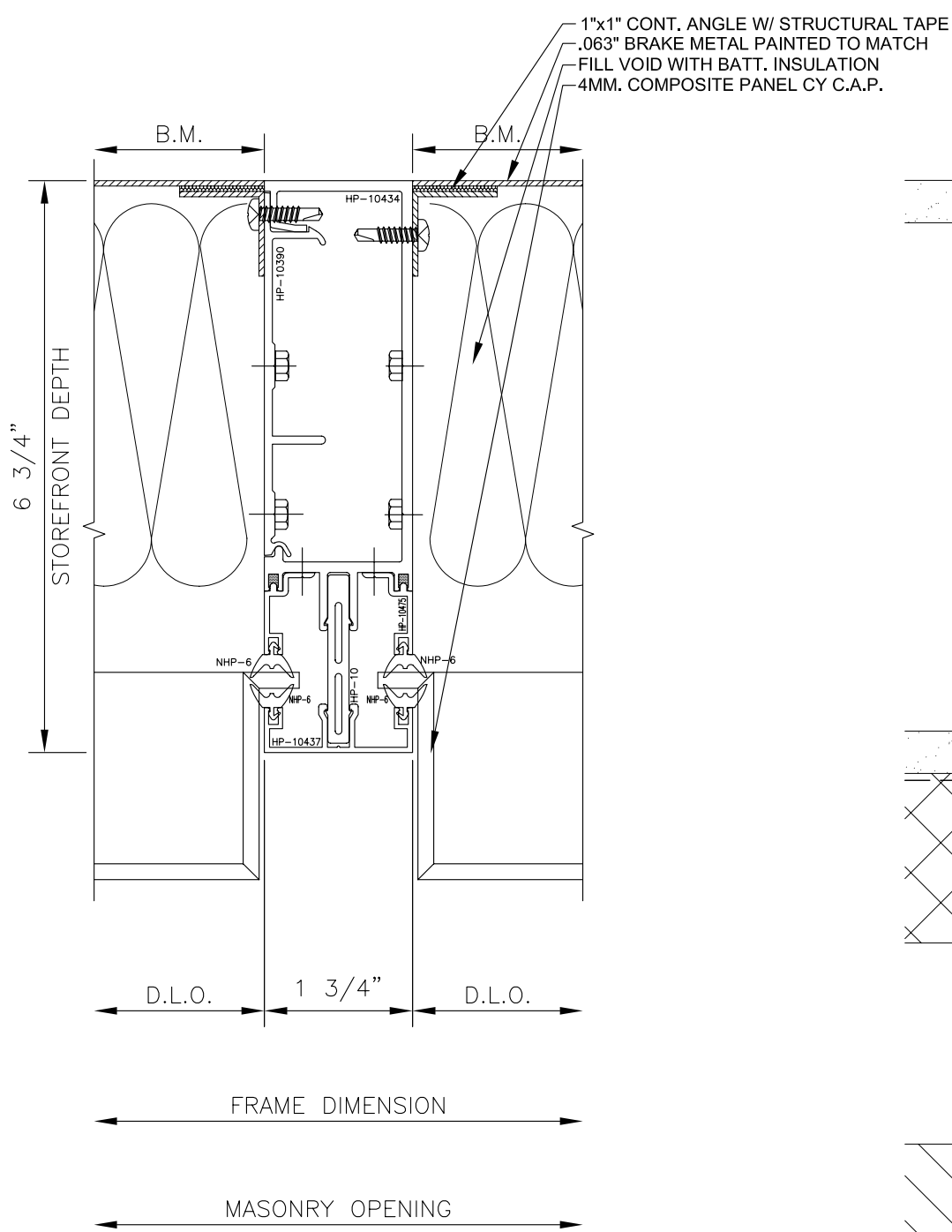
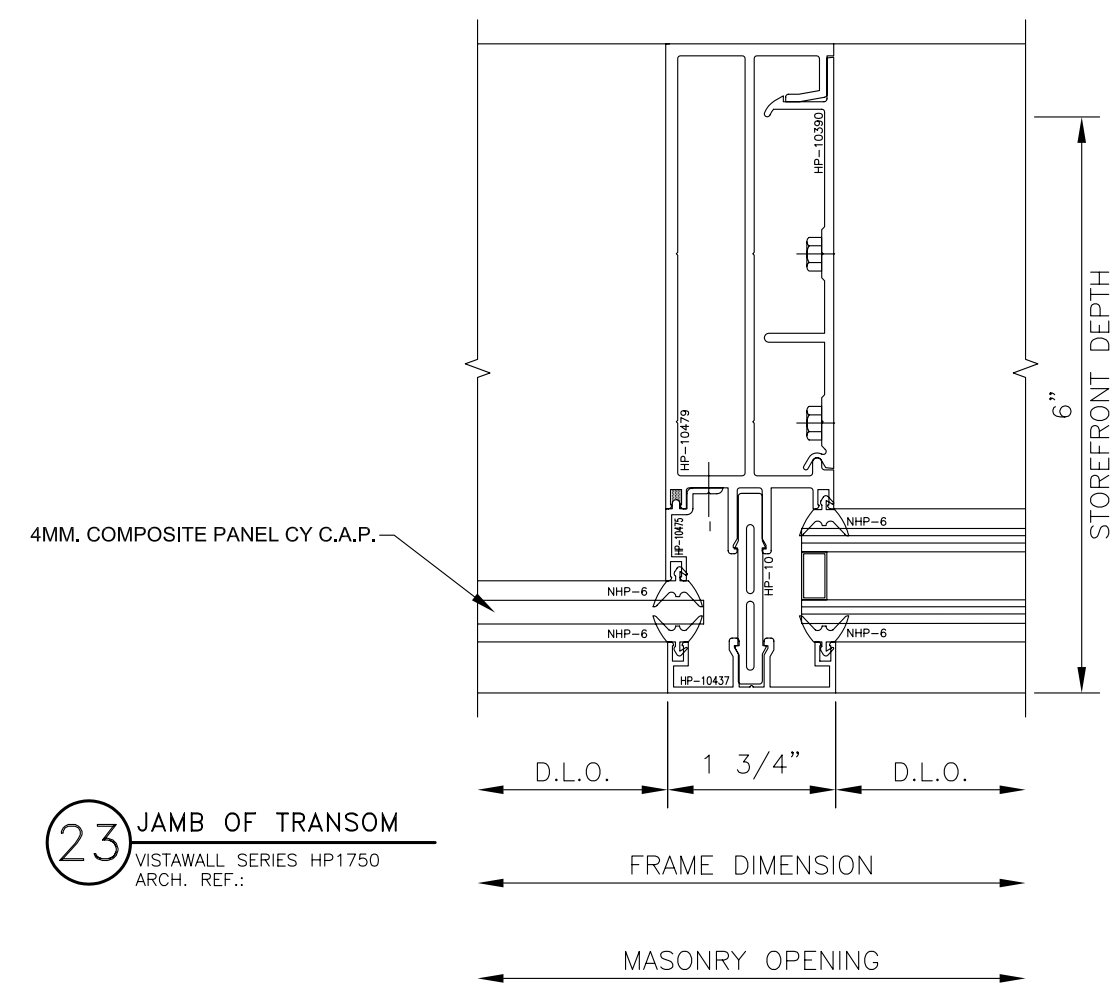
ARCHITECT:
VISION
225 DEWANA STREET PROVIDENCE, RHODE ISLAND 02905 401-481-7771

STOREFRONT DETAILS
PROJECT: HOPE DINING HALL
LOCATION: UNIVERSITY OF RHODE ISLAND
KINGSTON, RHODE ISLAND

Glazier's Resource Inc.
New & Repair Glazing, Design and Drapery
218 NORTH STATE ST., SUITE 118
CONCORD, NH 03301-5322
PH: 603.860.0198
www.glaziersresource.com

SCALE: HALF
DATE: 02.03.06
PROJECT: GR06-0007A
SHEET:

SD2



BY:	GRI
DATE:	04/10/06
REVISIONS:	PER ARCHITECTS NOTES

GLAZING CONTRACTOR:

ARCHITECT:
VISION
250 DEWANA STREET PRINCIPAL, HOUSTON, TEXAS 77055 401-481-7771

STOREFRONT DETAILS
PROJECT: HOPE DINING HALL
LOCATION: UNIVERSITY OF RHODE ISLAND
KINGSTON, RHODE ISLAND

Glazier's Resource Inc.
Your Source for Glazing Design and Drafting
218 NORTH STATE ST. SUITE 105
CONCORD, NH 03301-3322
TEL: 603.860.0198
www.glaziersresource.com

SCALE: HALF
DATE: 02.03.06
PROJECT: GR06-0007A
SHEET: **SD3**

BY:	GRI
DATE:	04/10/06
REVISIONS:	PER ARCHITECTS NOTES

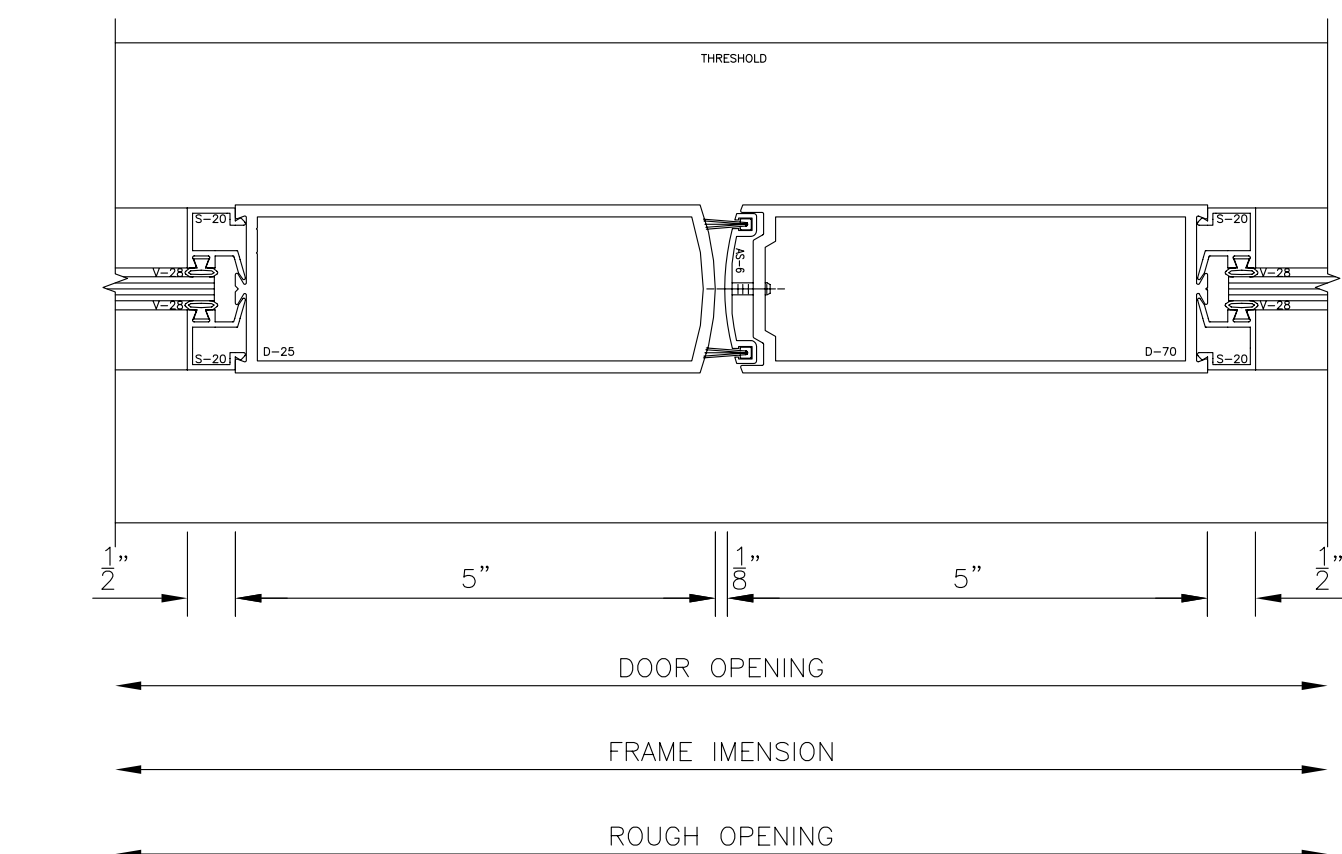
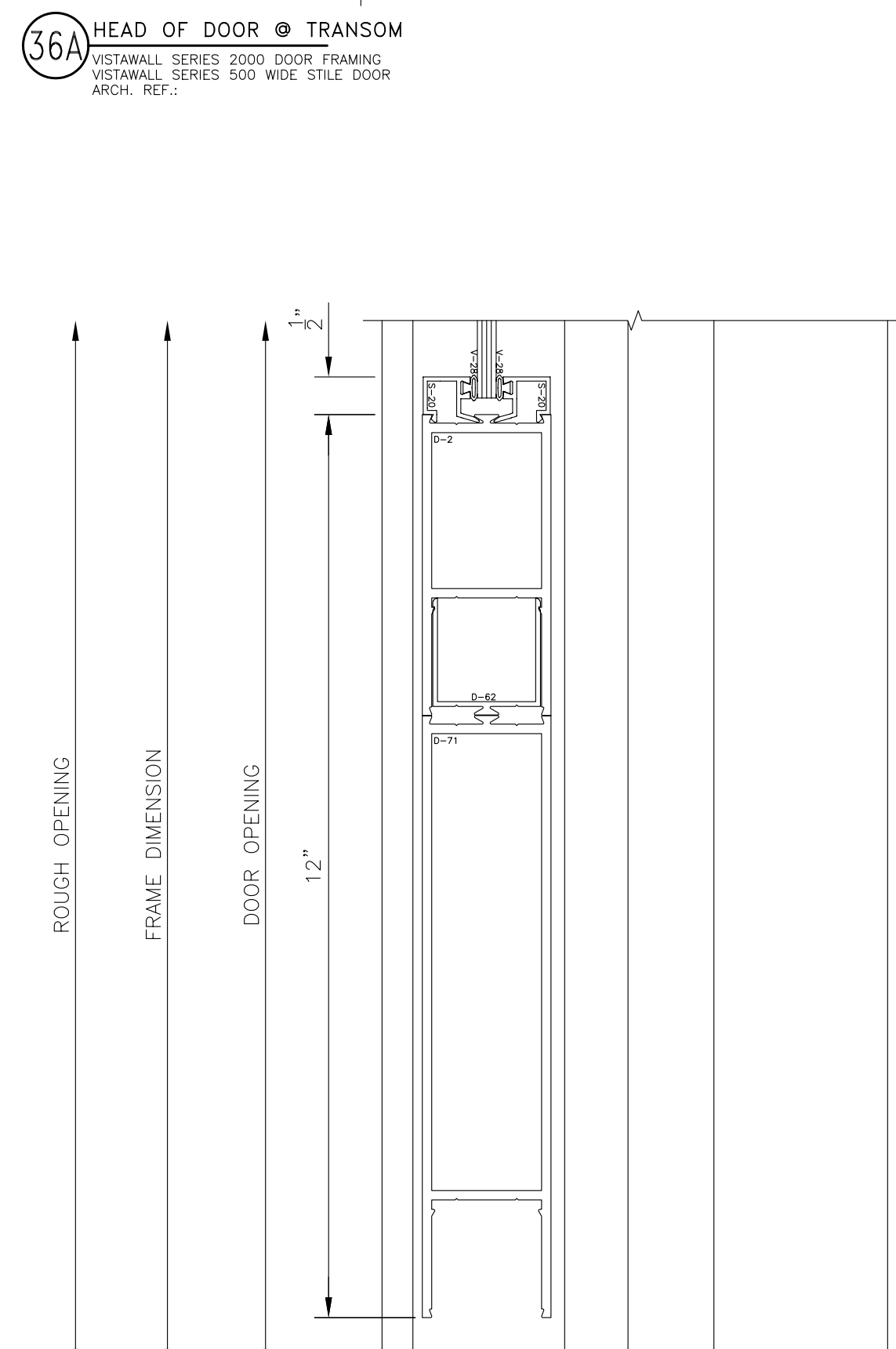
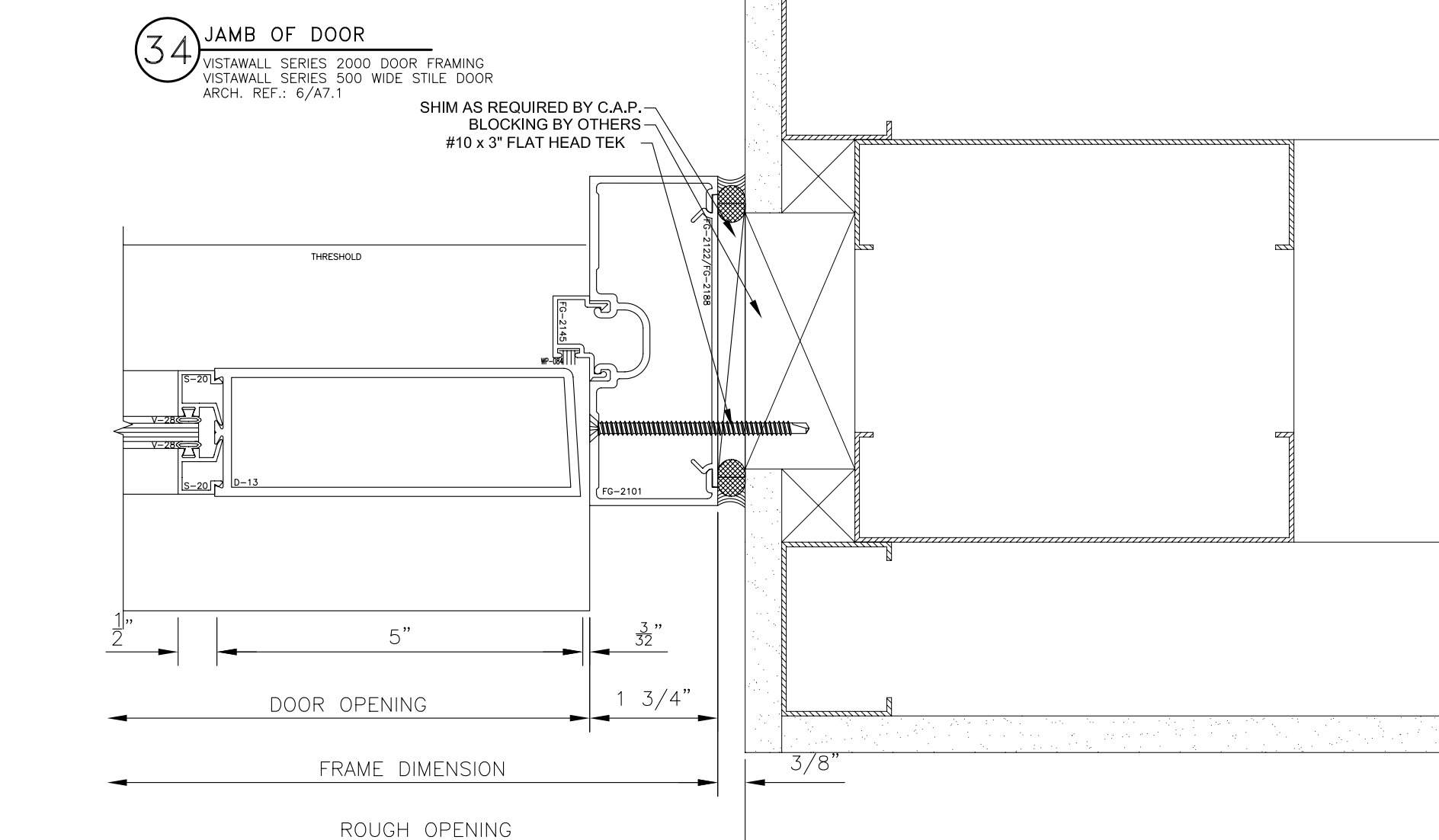
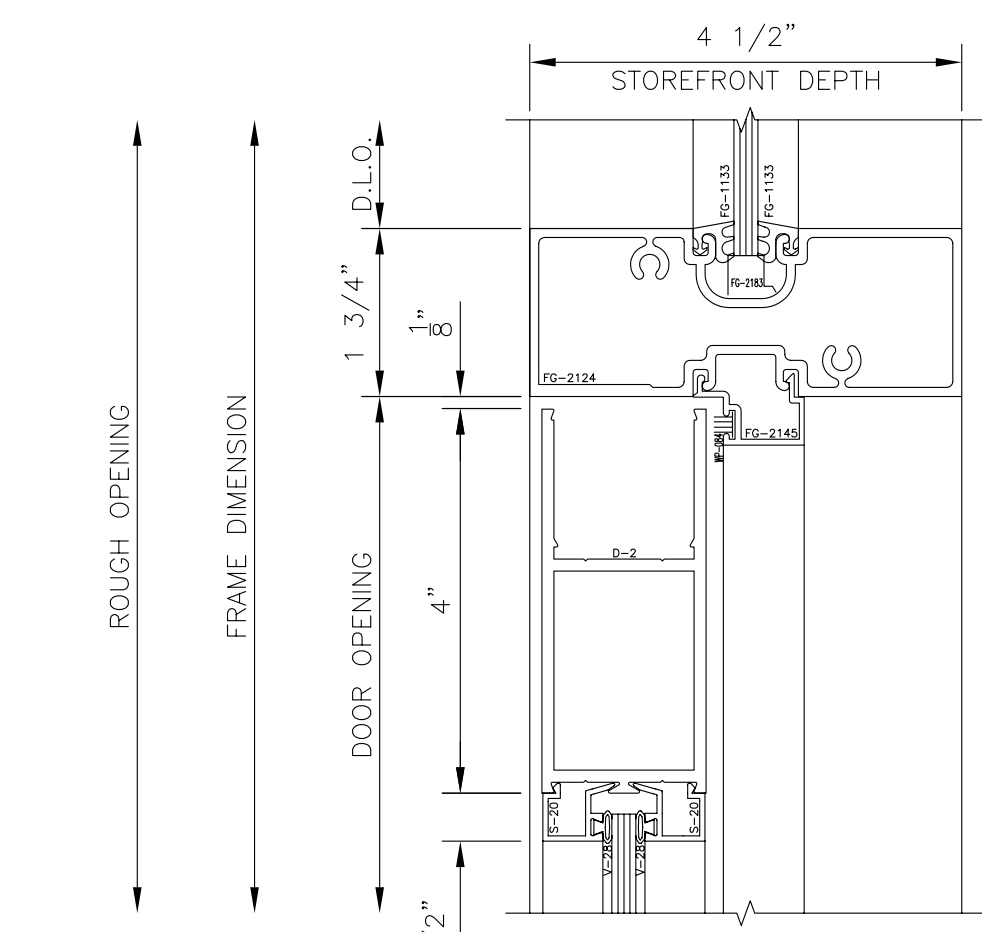
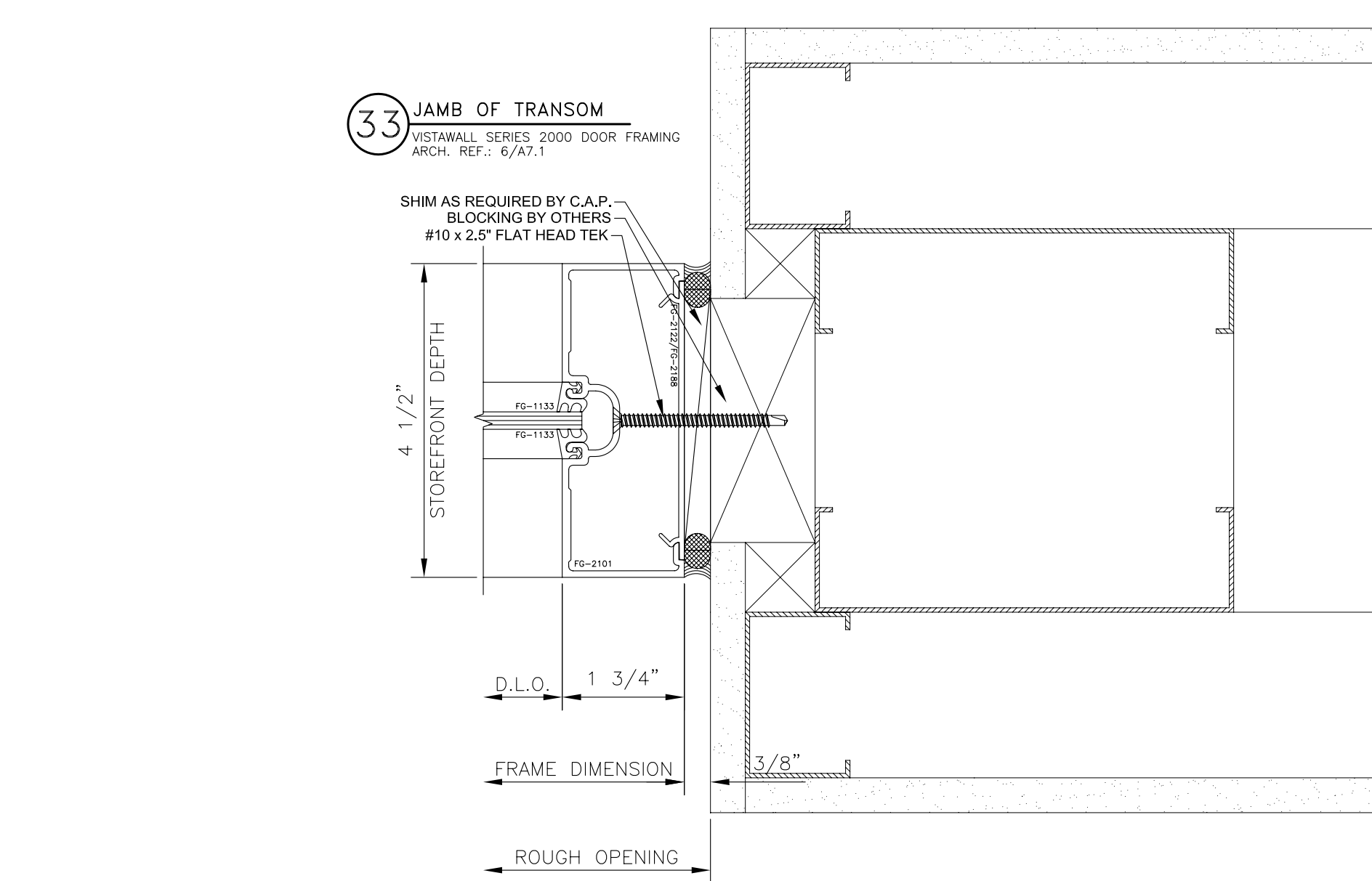
GLAZING CONTRACTOR:

ARCHITECT:
VISION
 225 DEWANEY STREET PROVIDENCE, RHODE ISLAND 02905 401-481-7771

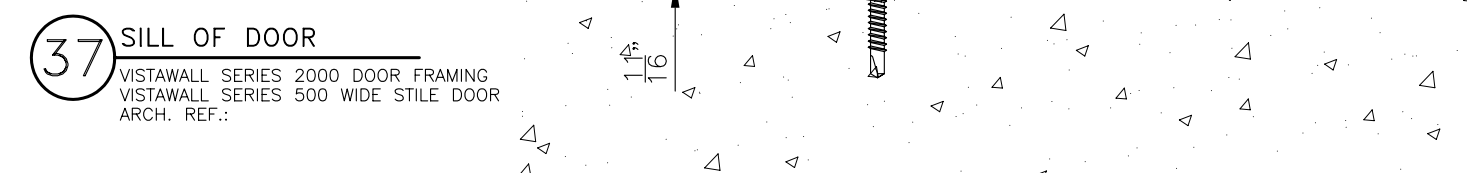
STOREFRONT DETAILS
 PROJECT: HOPE DINING HALL
 LOCATION: UNIVERSITY OF RHODE ISLAND
 KINGSTON, RHODE ISLAND

Glazier's Resource Inc.
 "Your Glazing & Safety Design and Drafting"
 218 NORTH STATE ST. SUITE 118
 CONCORD, NH 03301-5322
 TEL: 603.860.0186
 WWW.GLAZIERSRESOURCE.COM

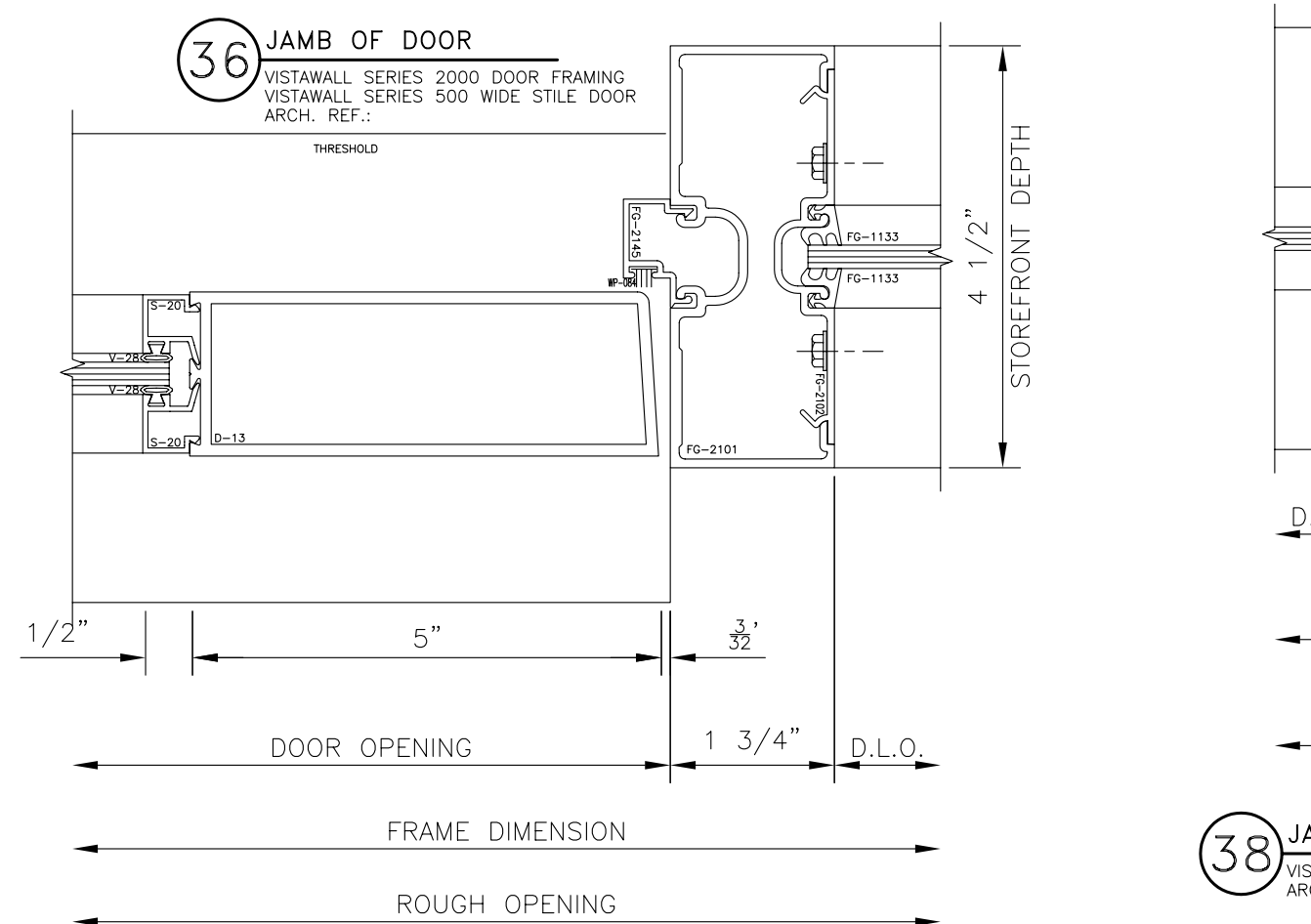
SCALE: HALF
 DATE: 02.03.06
 PROJECT: GR06-0007A
 SHEET: **SD4**



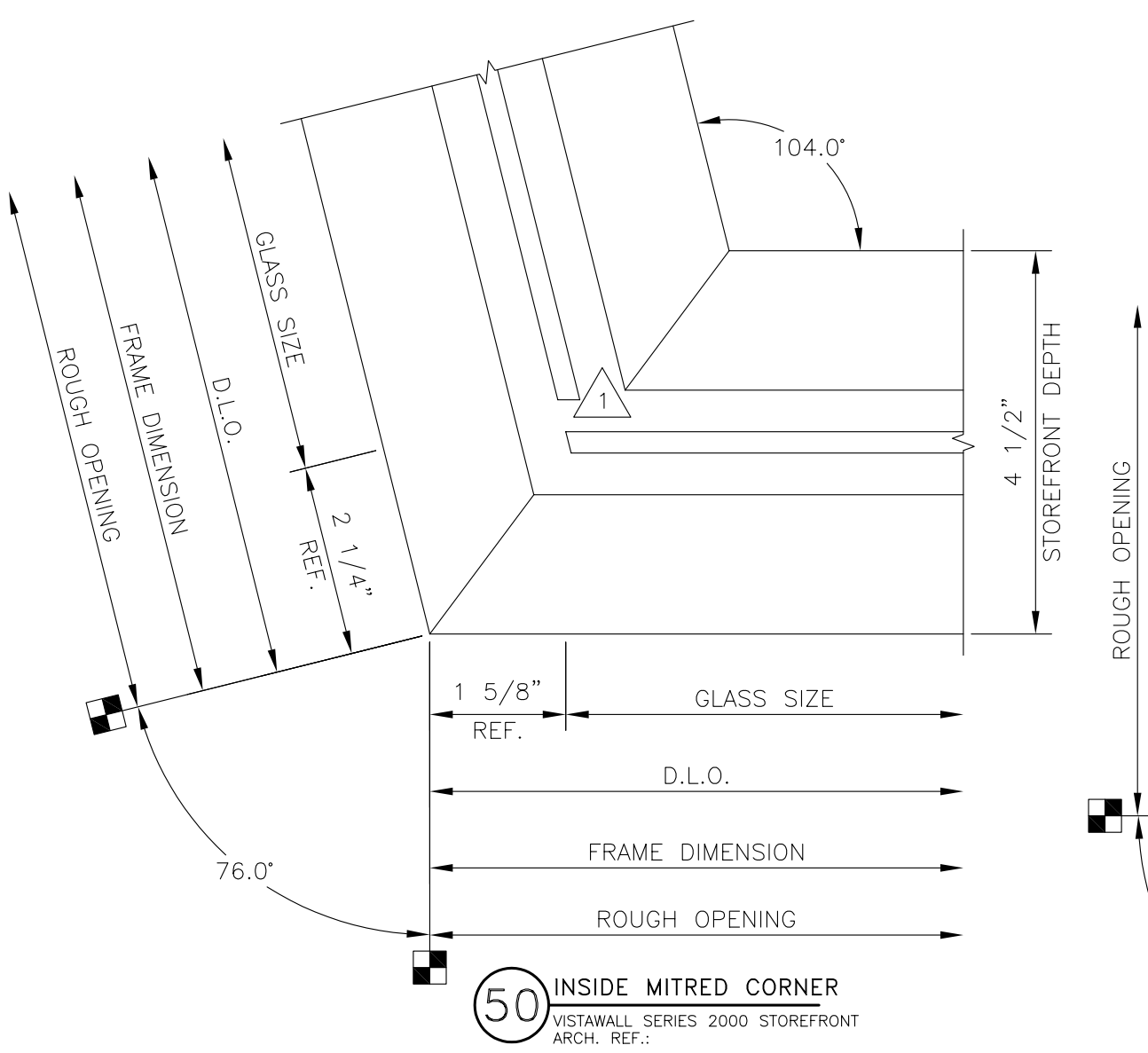
35 MEETING STILES
 VISTAWALL SERIES 2000 DOOR FRAMING
 VISTAWALL SERIES 500 WIDE STILE DOORS
 ARCH. REF.:



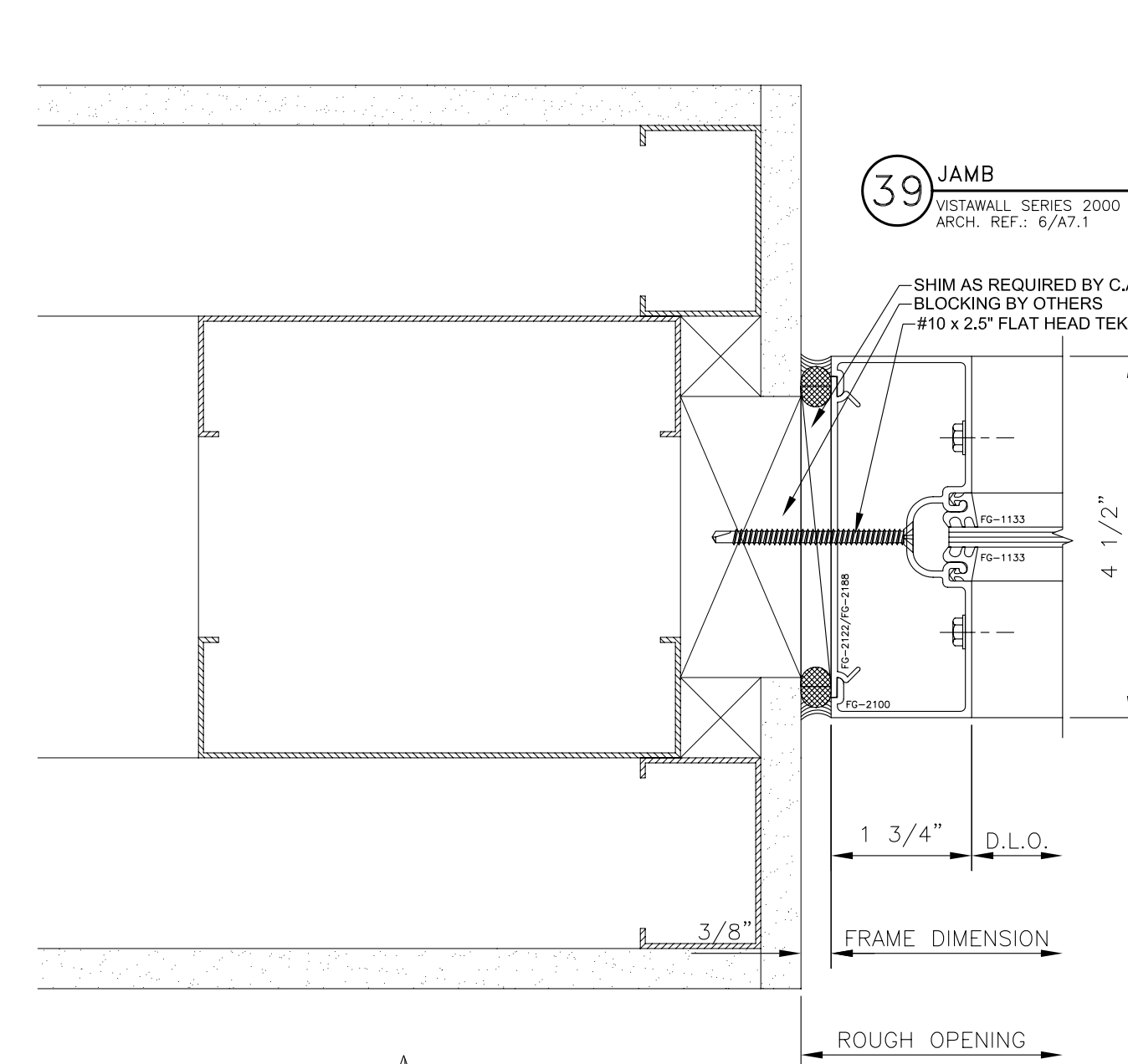
37 SILL OF DOOR
 VISTAWALL SERIES 2000 DOOR FRAMING
 VISTAWALL SERIES 500 WIDE STILE DOOR
 ARCH. REF.:



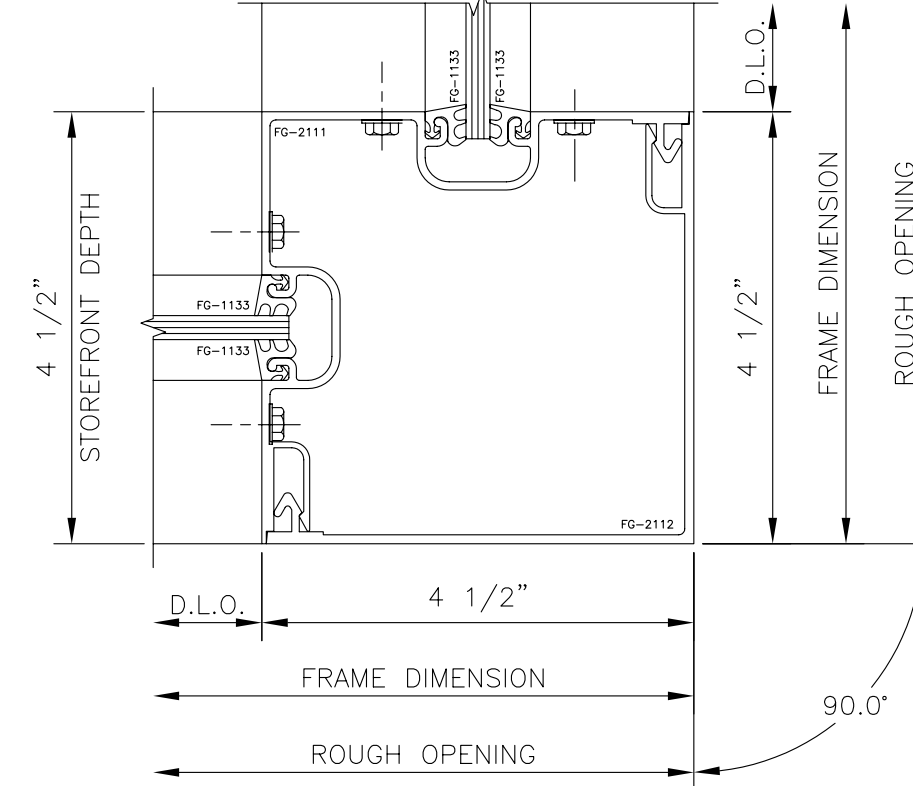
38 JAMB OF TRANSOM @ SIDELITE
 VISTAWALL SERIES 2000 DOOR FRAMING
 ARCH. REF.:



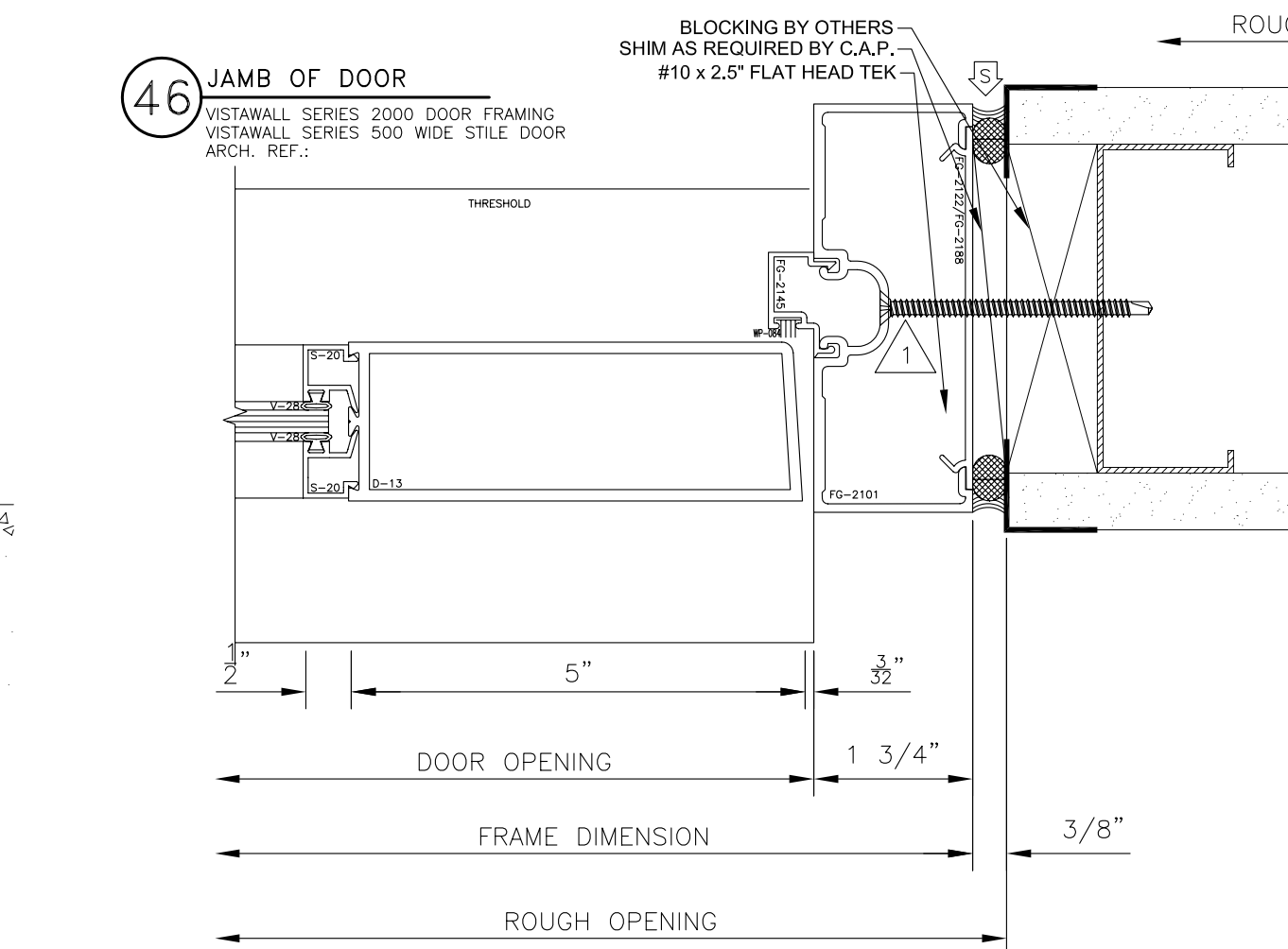
50 INSIDE MITRED CORNER
 VISTAWALL SERIES 2000 STOREFRONT
 ARCH. REF.:



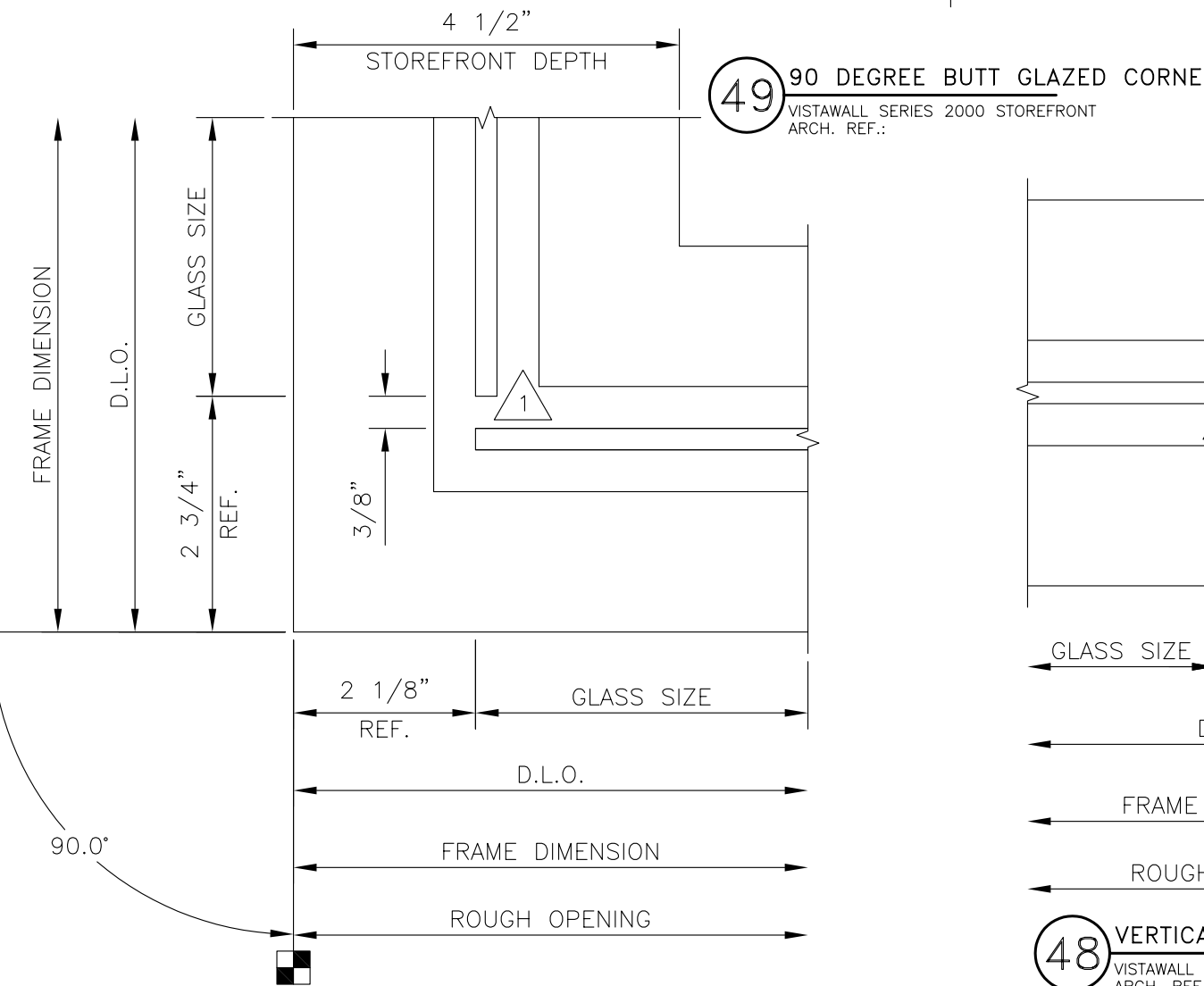
39 JAMB
 VISTAWALL SERIES 2000 STOREFRONT
 ARCH. REF.: 6/AT.1



44 90 DEGREE OUTSIDE CORNER
 VISTAWALL SERIES 2000 STOREFRONT
 ARCH. REF.:

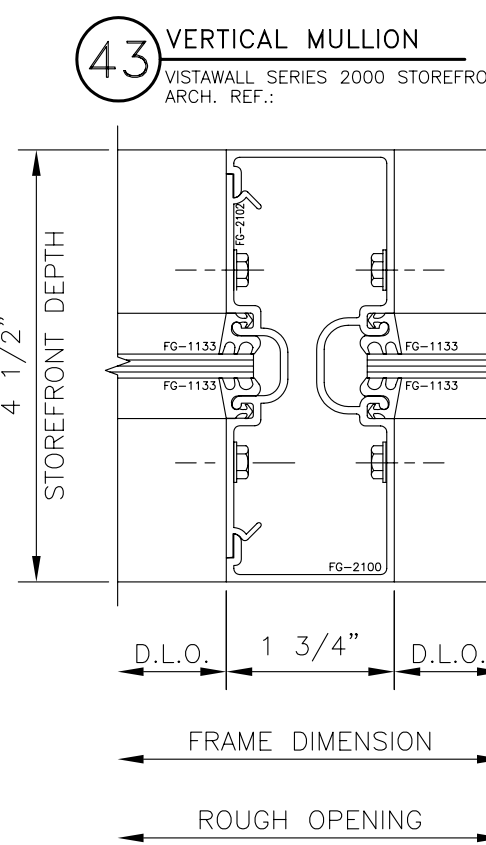


46 JAMB OF DOOR
 VISTAWALL SERIES 2000 DOOR FRAMING
 VISTAWALL SERIES 500 WIDE STILE DOOR
 ARCH. REF.:

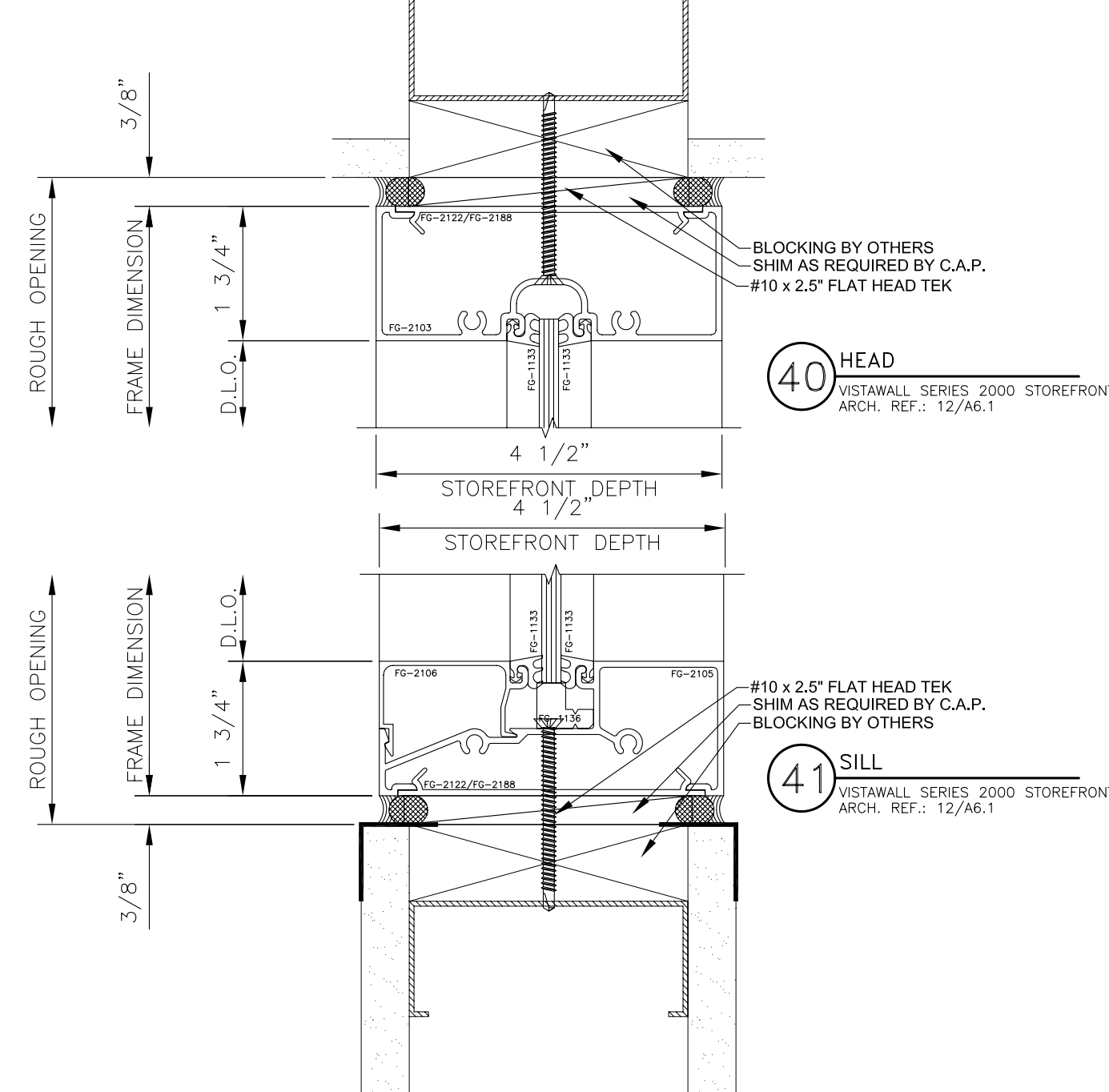


49 90 DEGREE BUTT GLAZED CORNER
 VISTAWALL SERIES 2000 STOREFRONT
 ARCH. REF.:

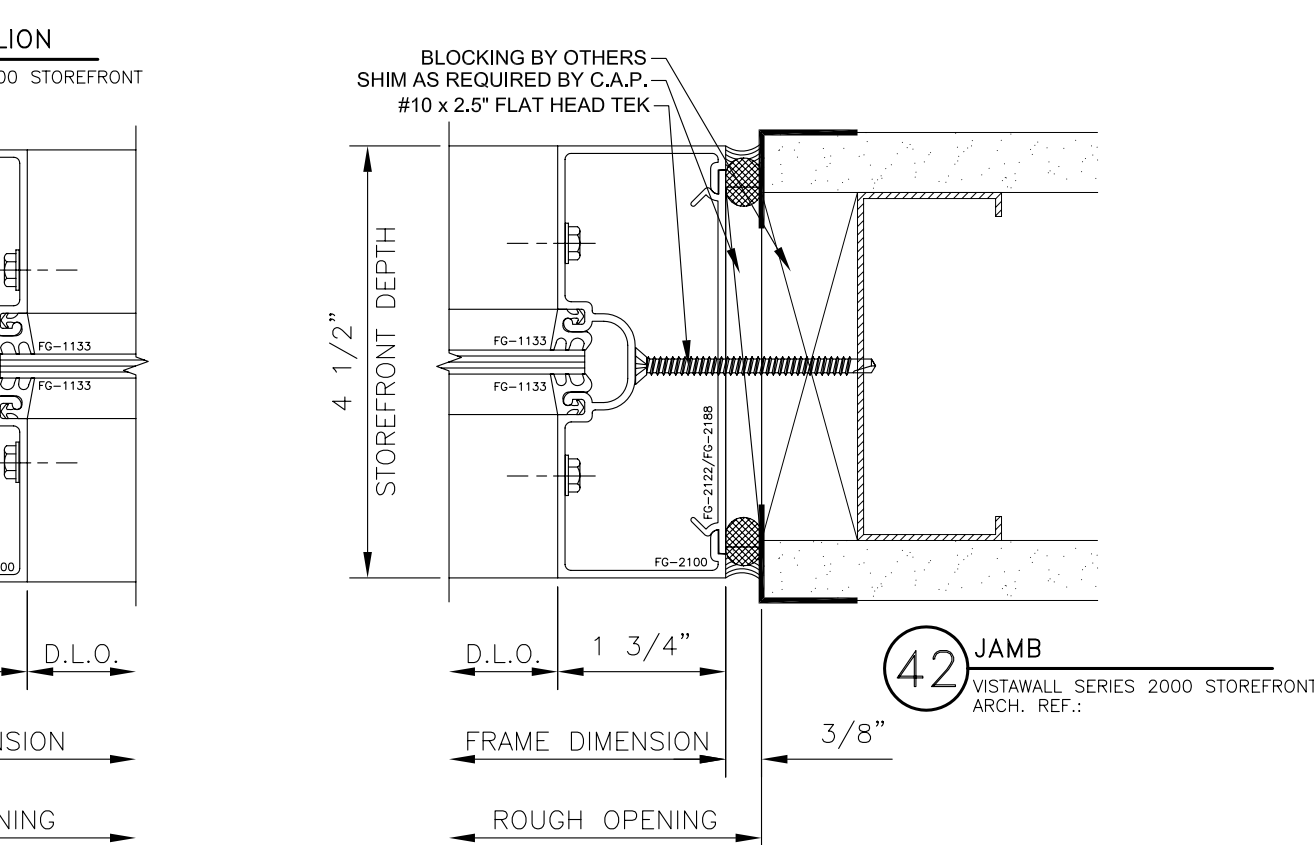
48 VERTICAL BUTT GLAZED JOINT
 VISTAWALL SERIES 2000 STOREFRONT
 ARCH. REF.:



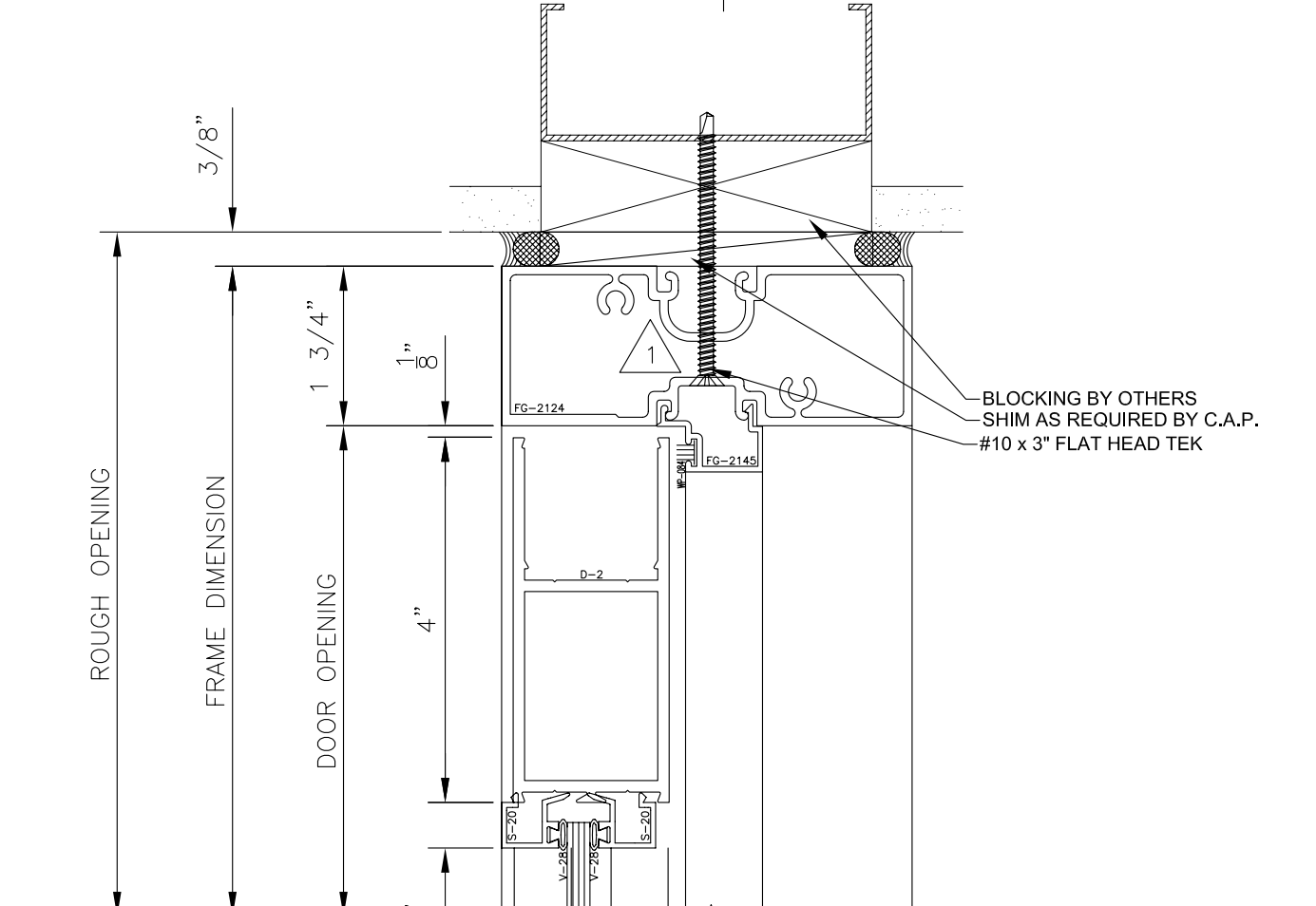
43 VERTICAL MULLION
 VISTAWALL SERIES 2000 STOREFRONT
 ARCH. REF.:



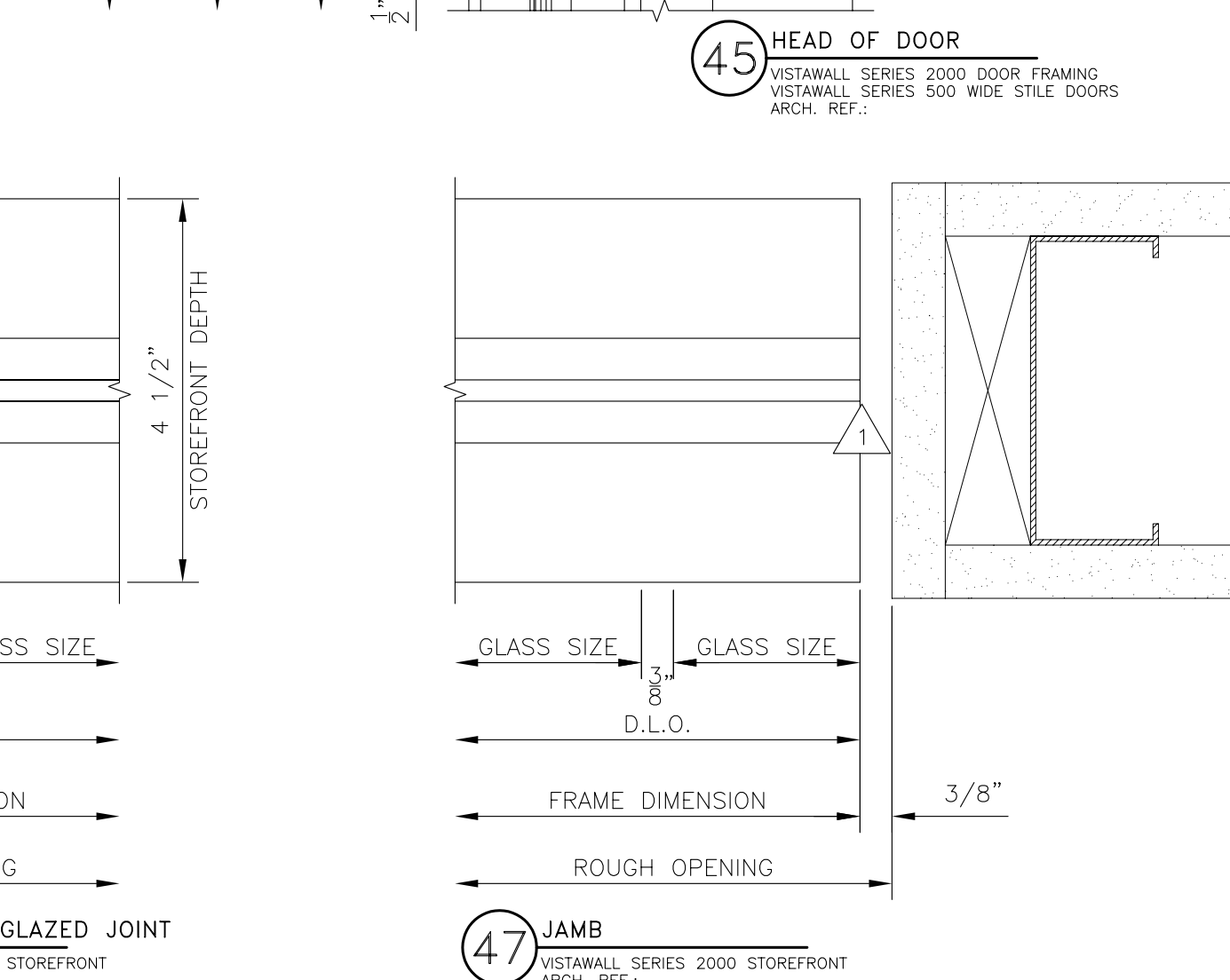
40 HEAD
 VISTAWALL SERIES 2000 STOREFRONT
 ARCH. REF.: 12/A6.1



42 JAMB
 VISTAWALL SERIES 2000 STOREFRONT
 ARCH. REF.:



45 HEAD OF DOOR
 VISTAWALL SERIES 2000 DOOR FRAMING
 VISTAWALL SERIES 500 WIDE STILE DOORS
 ARCH. REF.:



47 JAMB
 VISTAWALL SERIES 2000 STOREFRONT
 ARCH. REF.: