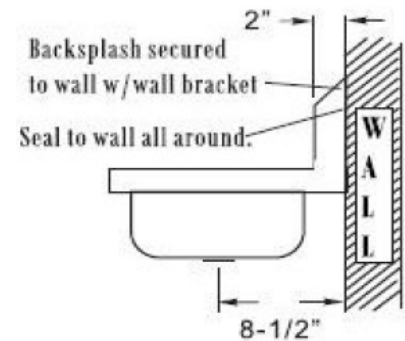
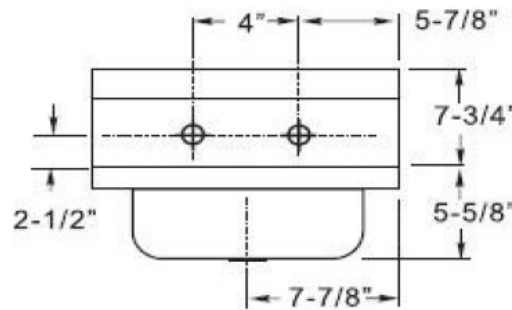
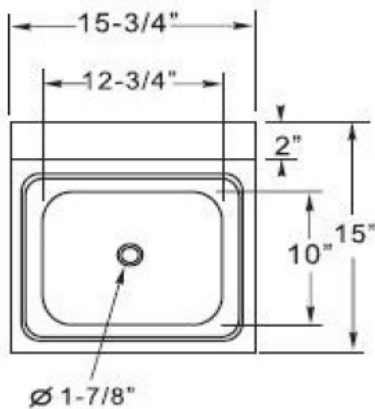


WICKETTS STAINLESS

Stainless Steel Hand Sink
WHS 1615-SSG LEAD FREE

SPECIFICATION



Product #	Description
WHS 1615-SSG	16 x 15 Wall Mount Hand Sink With Side Splashes Lead Free Faucet

Wicketts Stainless, LLC.
2618 San Miguel Dr. Bldg. # 376
Newport Beach, CA 92660
Tel: 951-858-2548
Fax: 951-638-9059
sales@wickettsstainless.com
www.wickettsstainless.com



WARNING:
This product can expose you to chemicals,
which are known to the State of California to
cause cancer. For more information, visit
www.P65Warnings.ca.gov.

Approved for Manufacturing
Company: _____
Signature: _____
Print: _____ Date: ___/___/___