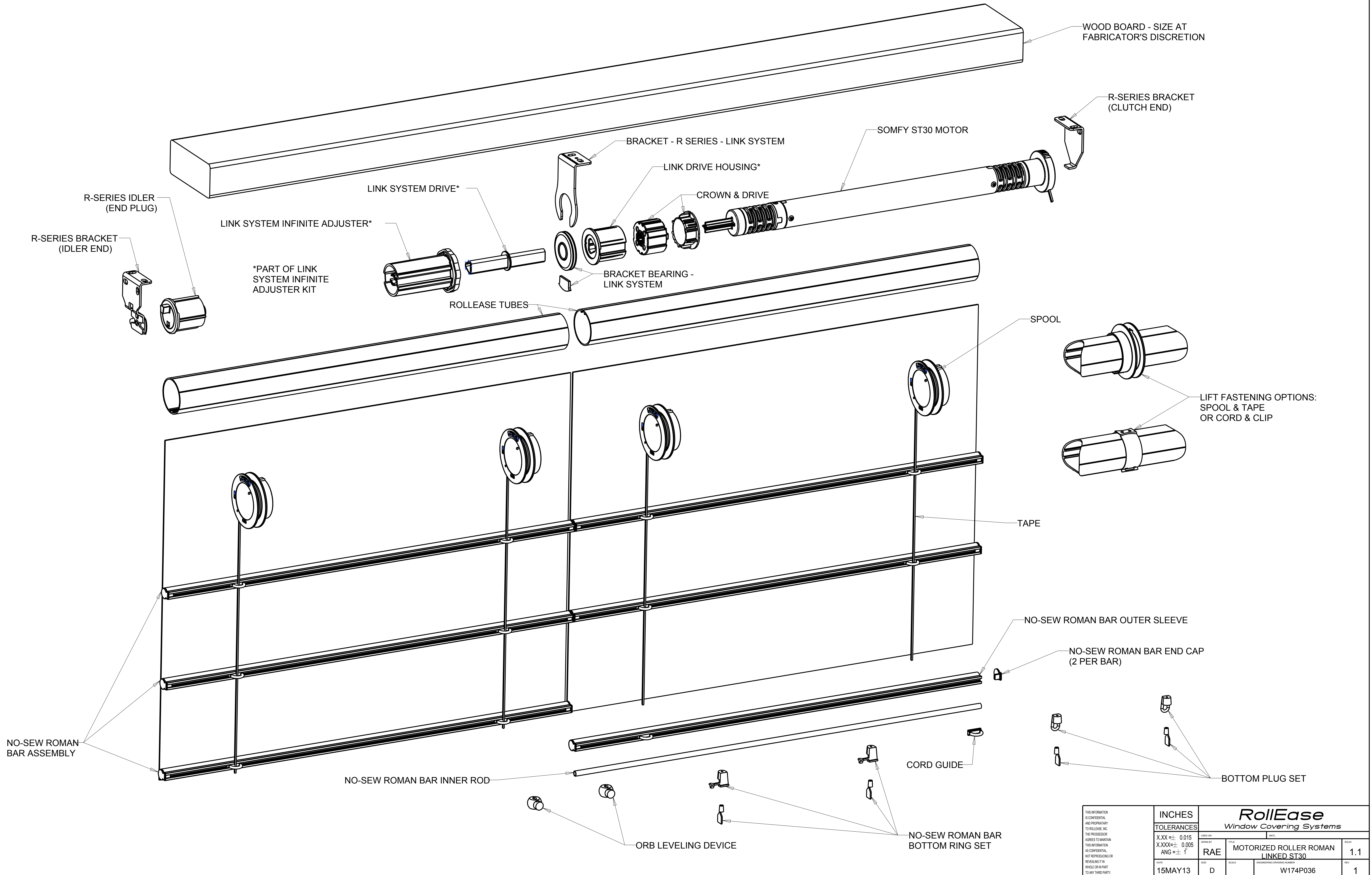


REVISION RECORD				
SYM	DESCRIPTION	BY	DATE	CHK



<small>THIS INFORMATION IS CONFIDENTIAL AND PROPRIETARY TO ROLLESE, INC. THE POSSESSOR AGREES TO MAINTAIN THIS INFORMATION AS CONFIDENTIAL AND NOT REPRODUCE OR DISSEMINATE IN WHOLE OR IN PART TO ANY THIRD PARTY.</small>	INCHES	RollEase Window Covering Systems			
	TOLERANCES	<small>XXX ± 0.015</small> <small>XXXX ± 0.005</small> <small>ANG ± .1°</small>	<small>DESIGNED BY</small> RAE	<small>TITLE</small> MOTORIZED ROLLER ROMAN LINKED ST30	<small>SCALE</small> 1.1
	DATE	<small>15MAY13</small>	<small>ISSUED BY</small> D	<small>PROJECT NO.</small> W174P036	<small>REV</small> 1
	<small>THIS INFORMATION IS CONFIDENTIAL AND PROPRIETARY TO ROLLESE, INC. THE POSSESSOR AGREES TO MAINTAIN THIS INFORMATION AS CONFIDENTIAL AND NOT REPRODUCE OR DISSEMINATE IN WHOLE OR IN PART TO ANY THIRD PARTY.</small>				
	<small>THIS INFORMATION IS CONFIDENTIAL AND PROPRIETARY TO ROLLESE, INC. THE POSSESSOR AGREES TO MAINTAIN THIS INFORMATION AS CONFIDENTIAL AND NOT REPRODUCE OR DISSEMINATE IN WHOLE OR IN PART TO ANY THIRD PARTY.</small>				