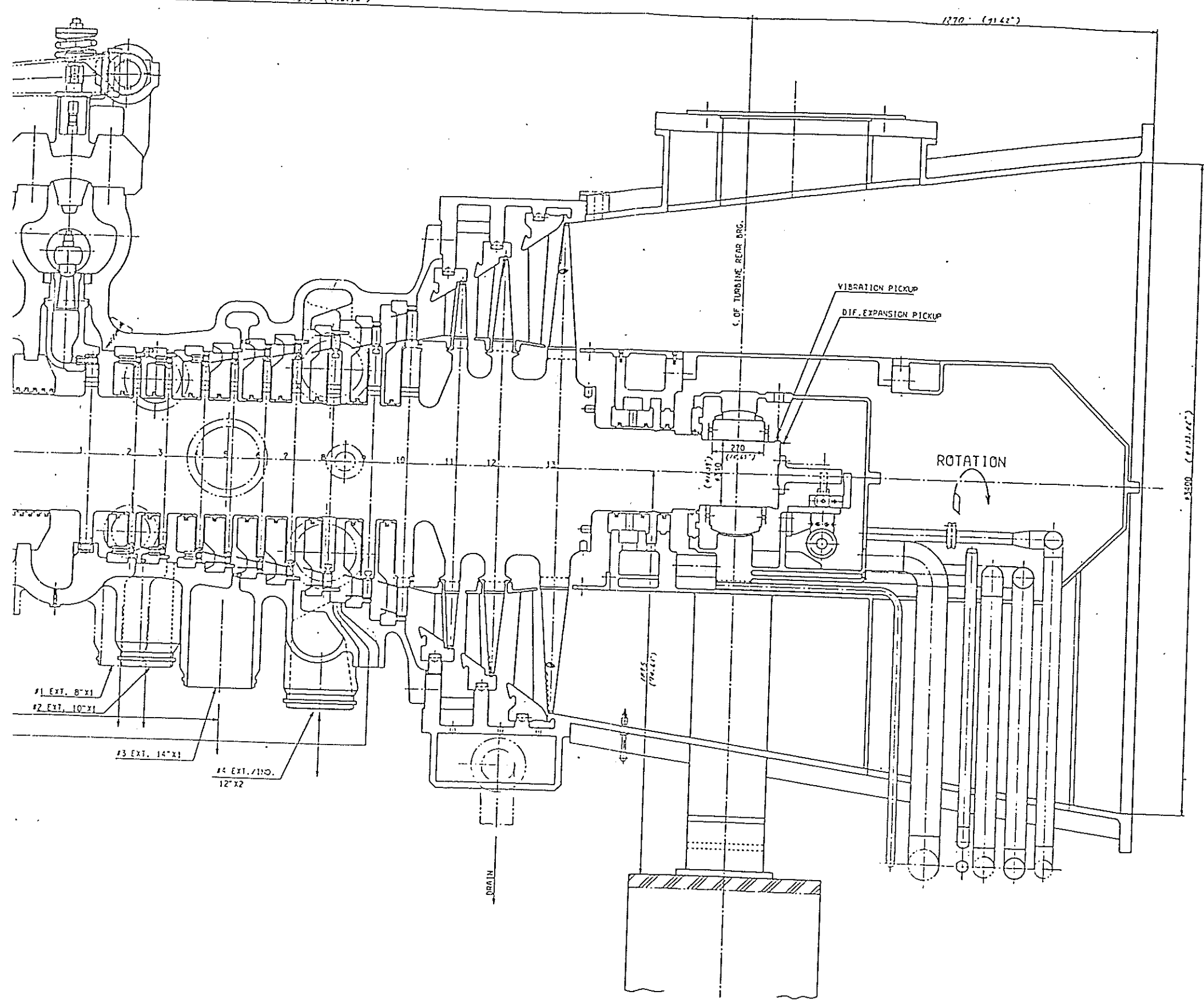


789-40316

PLAN RECORD A1

- REV. A
1. REVISED LOCATIONS OF SPEED PICK-UP AND VIBRATION PICK-UP.
 2. REVISED BLADE ROOT DESIGN OF HP STAGE.
 3. ADDED SHAFT END VIEW. 5/10/73.
- REV. 2 73

COND. SIDE



SPECIFICATION

OUTPUT (AT GEN. TERMINAL)	74500	kW (MAX.)
SPEED	3600	rpm
MAIN STEAM INLET PRESSURE	1465	psia.
MAIN STEAM INLET TEMPERATURE	950	°F
INDUCTION PRESSURE	125/20	psia.
EXHAUST PRESSURE	1.45	Inch Hg.

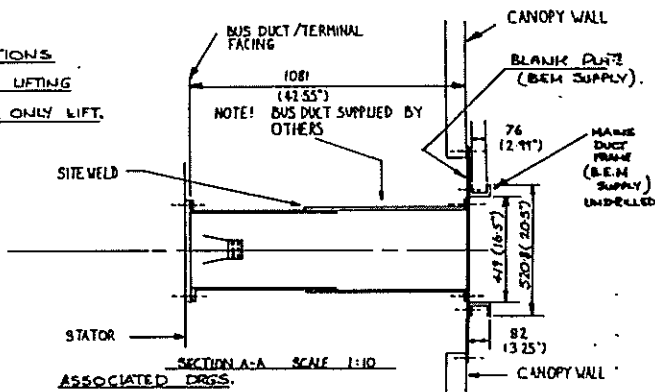
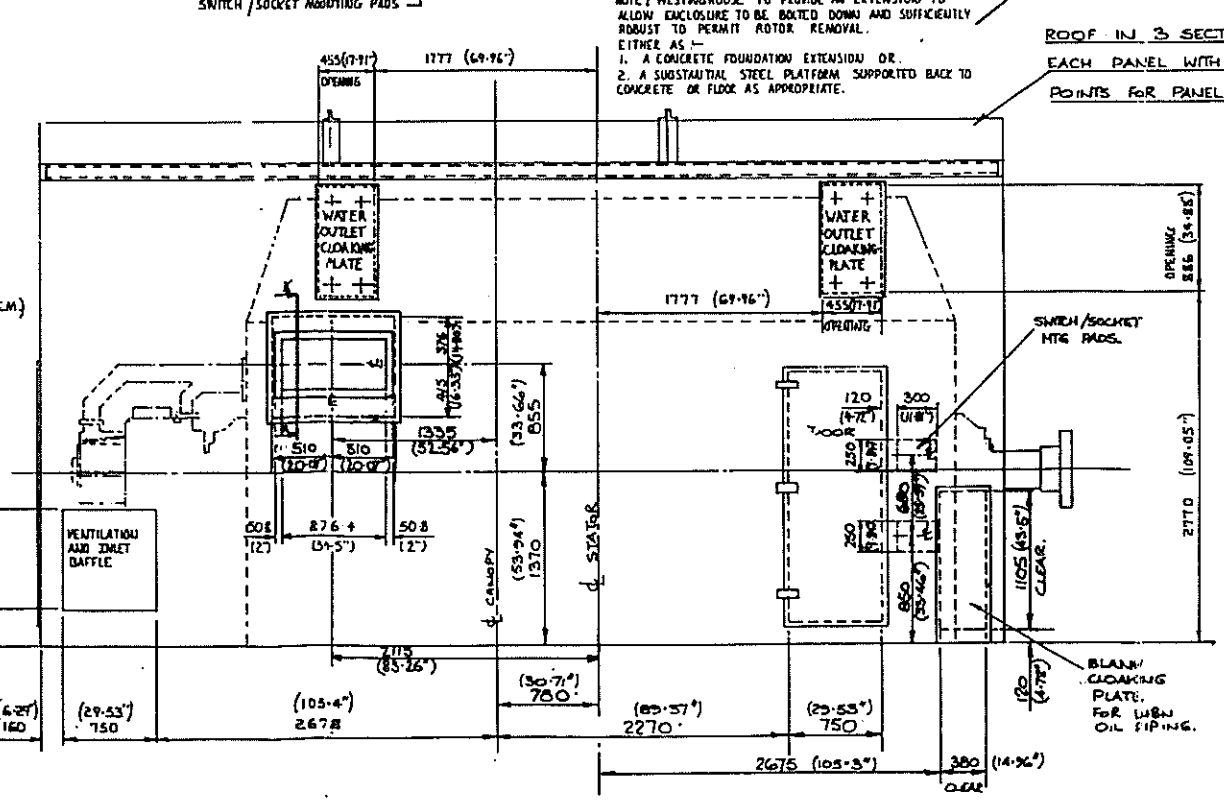
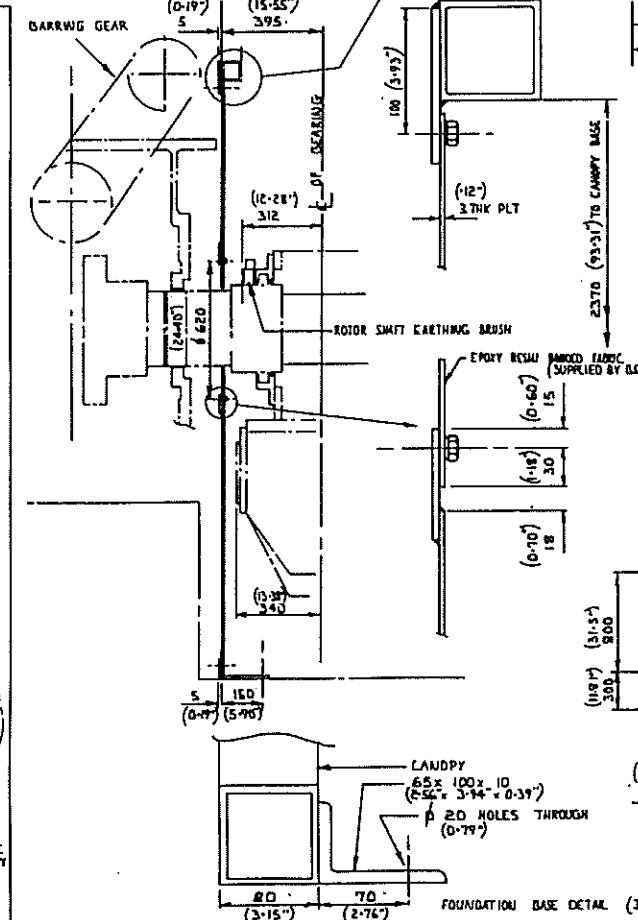
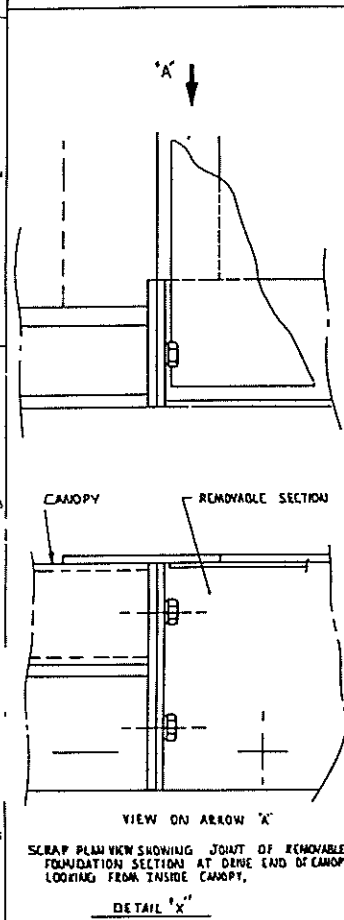
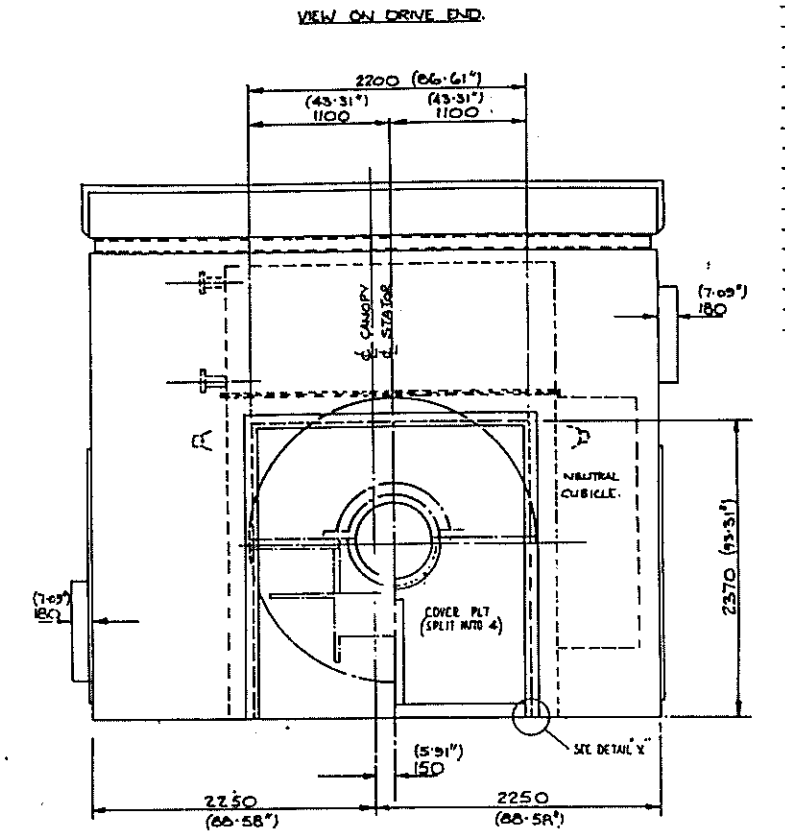
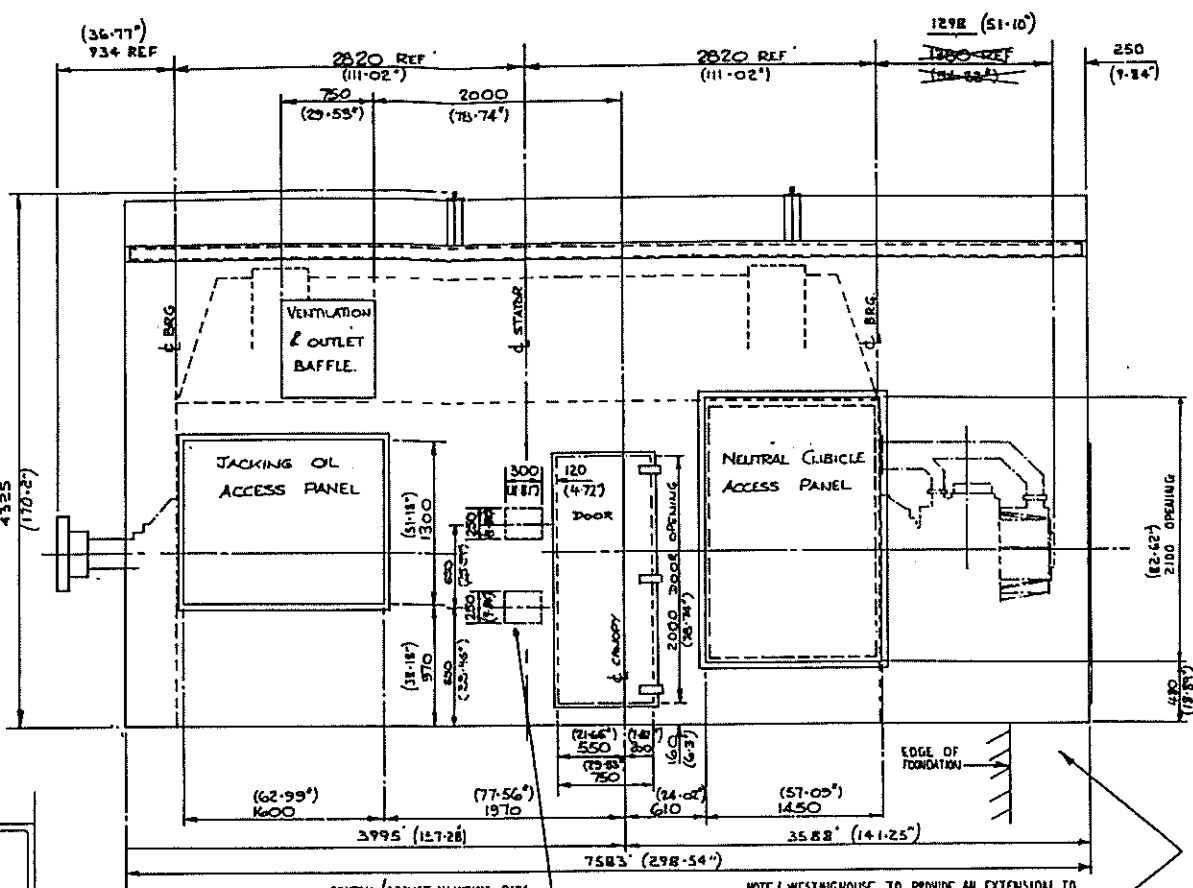
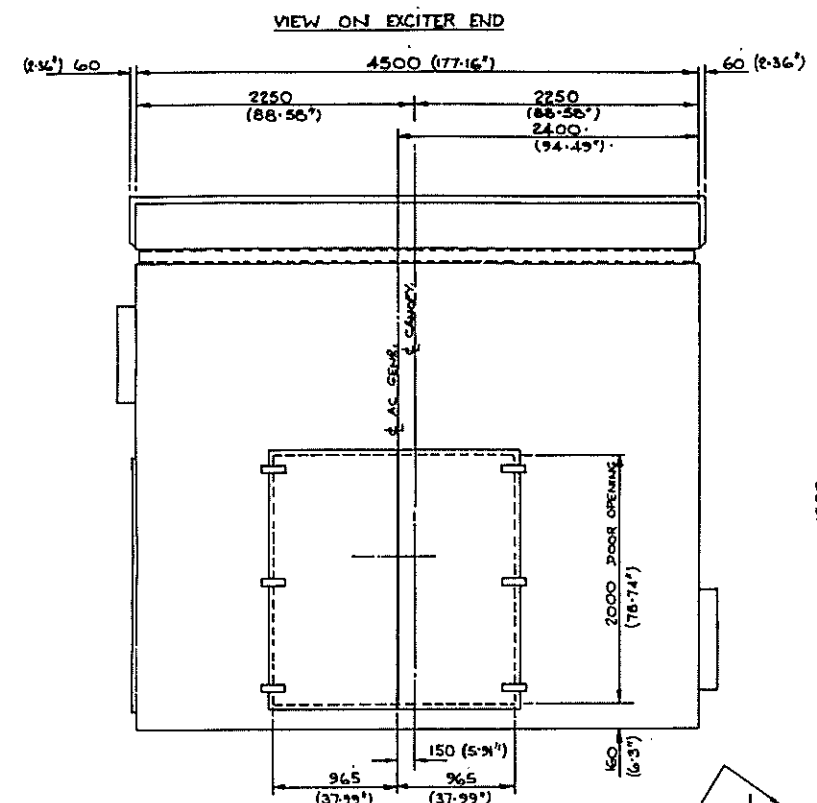
Figure 1

3

WH/PGPD/501DS C/C PLANT	
STANDARDIZED SCIF2SAX	
73 MW IND./EXT. COND. TURBINE	
TURBINE BASE PLAN	
90336	N30-001
4010.4	760-17482
MITSUBISHI HEAVY INDUSTRIES, LTD.	

TNO 1125-127 DRAWN H4.1.16. ISSUED 21.11.50

N30-001
760-17482



- ASSOCIATED DRGS.
- 314466B GENERAL ARRANGEMENT (GENERATOR)
 - 3145324 GENERATOR & CANOPY FOOTPLAN
 - 3145321 AUX. TERM. BOX (CONN. DIAGRAM)
 - 3145322 SCHEMATIC ARRGT. OF LUBR. SYSTEM.
 - 3145323 FOUNDATION ARRGT.

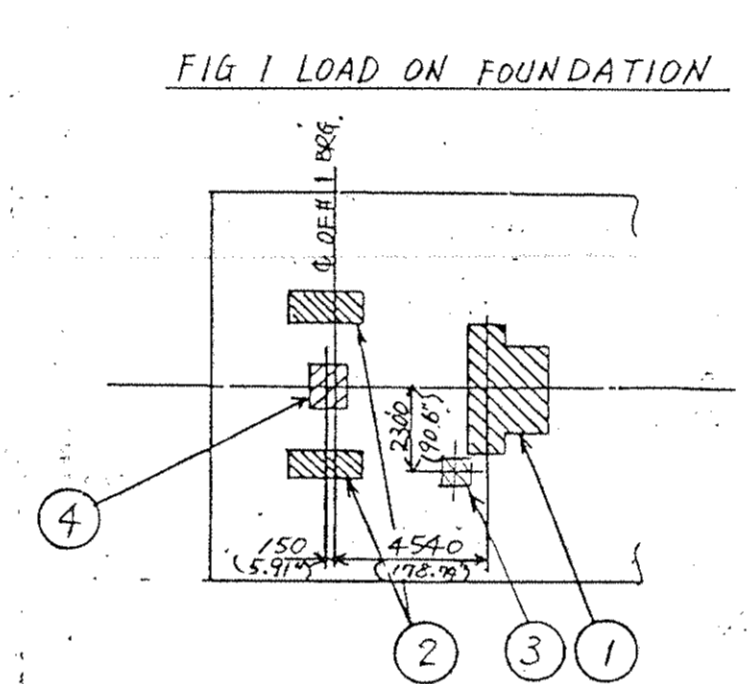
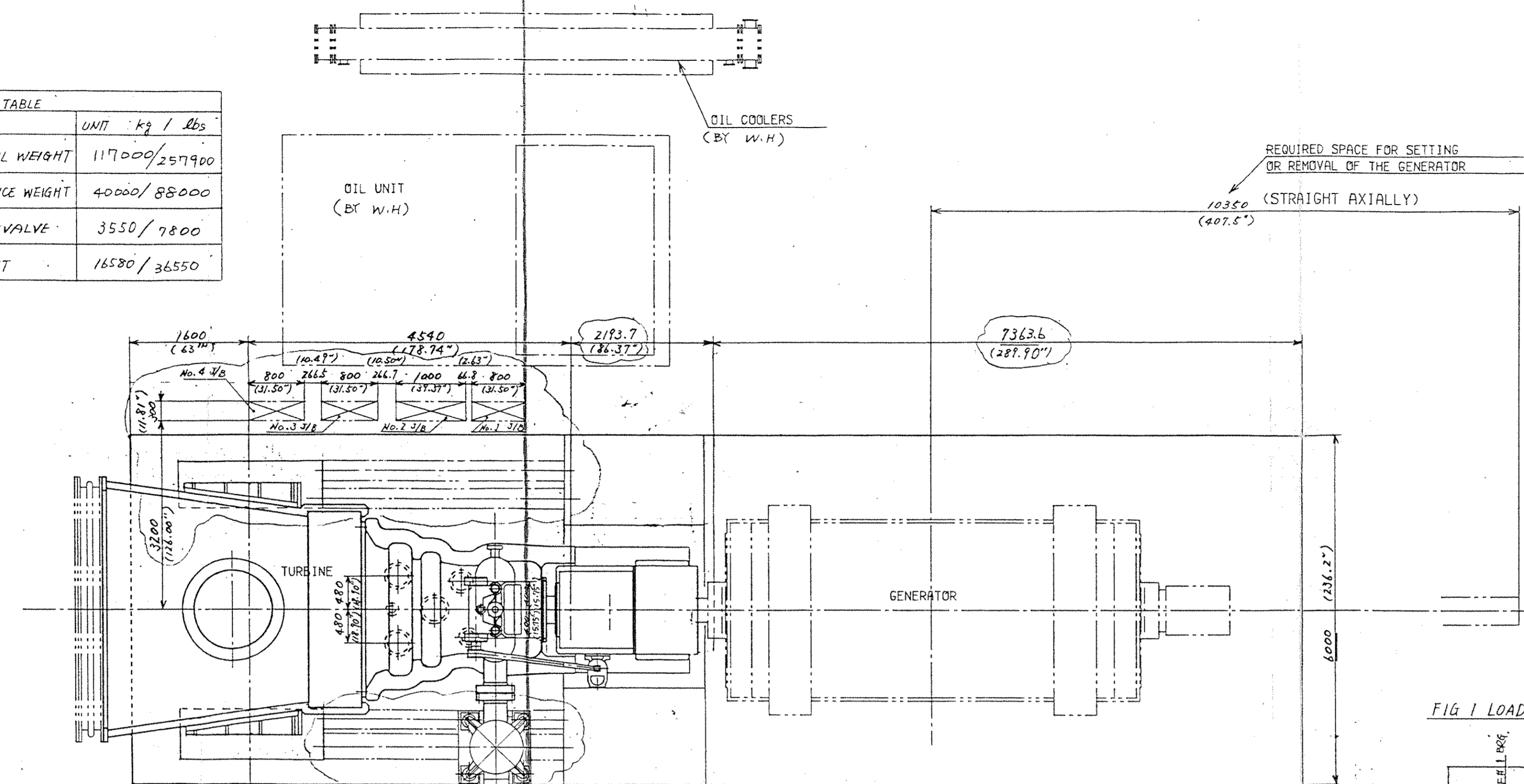
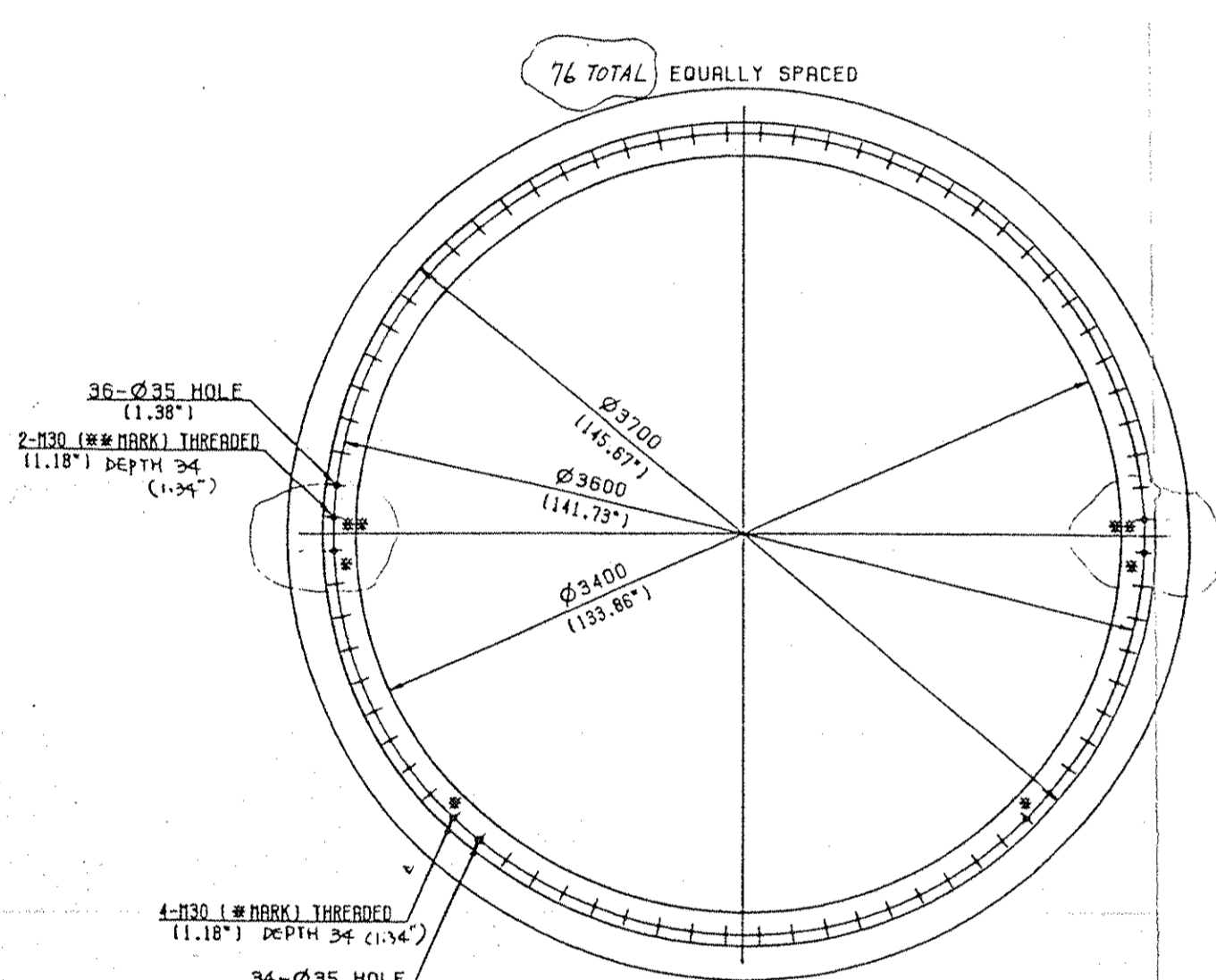
CUSTOMER: WESTINGHOUSE ELECTRIC CORP. USA
 FRAME SIZE: BDX 7, 340
 STEAM TURBINE DRIVE.

REV.	DATE	DESCRIPTION	BY	CHKD.

ENCLOSURE GENERAL ARRGT. AD 3145325	ENCLOSURE GENERAL ARRGT. AD 3145325	ENCLOSURE GENERAL ARRGT. AD 3145325	ENCLOSURE GENERAL ARRGT. AD 3145325	ENCLOSURE GENERAL ARRGT. AD 3145325
-------------------------------------	-------------------------------------	-------------------------------------	-------------------------------------	-------------------------------------

MARKING	DESCRIPTION	REVISION
19.81 (0.81)	REVISION	

NAME	UNIT	kg	lbs.
1. TURBINE TOTAL WEIGHT		117000	257900
2. MAX. MAINTENANCE WEIGHT		40000	88000
3. MAIN STOP VALVE		3550	7800
4. ROTOR WEIGHT		16580	36550



REMARKS
 1. FOR ADDITIONAL CUSTOMER CONNECTION REQUIREMENT, REFER TO FOLLOWING DWGS.
 1) PIPING ARRANGEMENT : 760-17442, 17443
 2) PIPING & INSTRUMENT DIAGRAM : 760-17448, 17449, 17450
 3. MIN. REQUIRED CRANE HOOK HEIGHT IS 6.0 M (25L.27") FROM TURBINE CENTER LINE.
 4. LOAD ON FOUNDATION (REF. TO FIG. 1)

NO.	POSITION	STATIC LOAD		DYNAMIC LOAD	
		VERTICAL	AXIAL	VERTICAL	AXIAL
1	GOV. SIDE PEDESTAL	113000	—	39250	113000
2	EXHAUST CHAMBER	70500 X 2	100000 X 2	24675 X 2	70500 X 2
3	M.S.V. SUPPORT	3500	—	1365	3500
4	EXH. CHAMBER CENTER SUPPORT	—	—	—	—

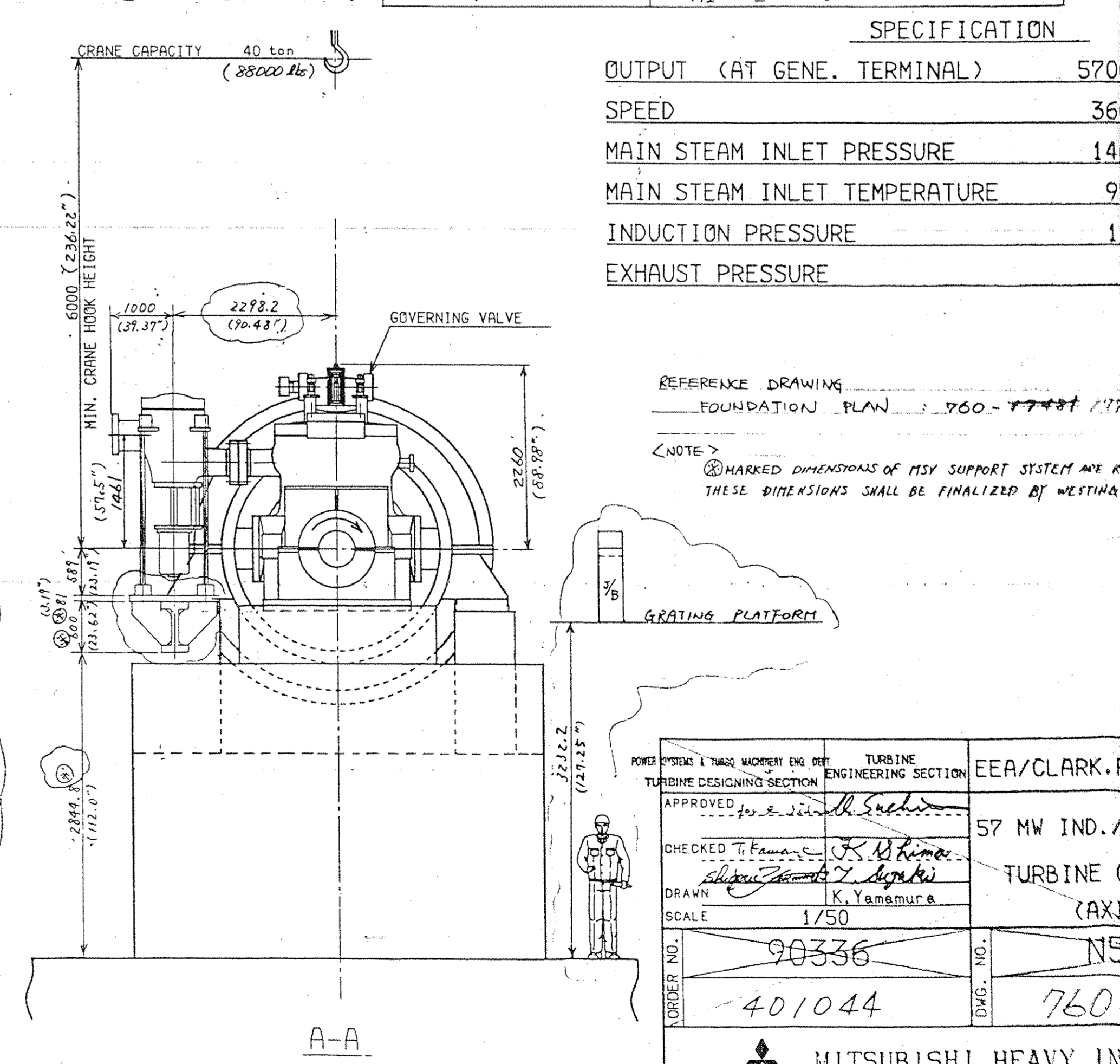
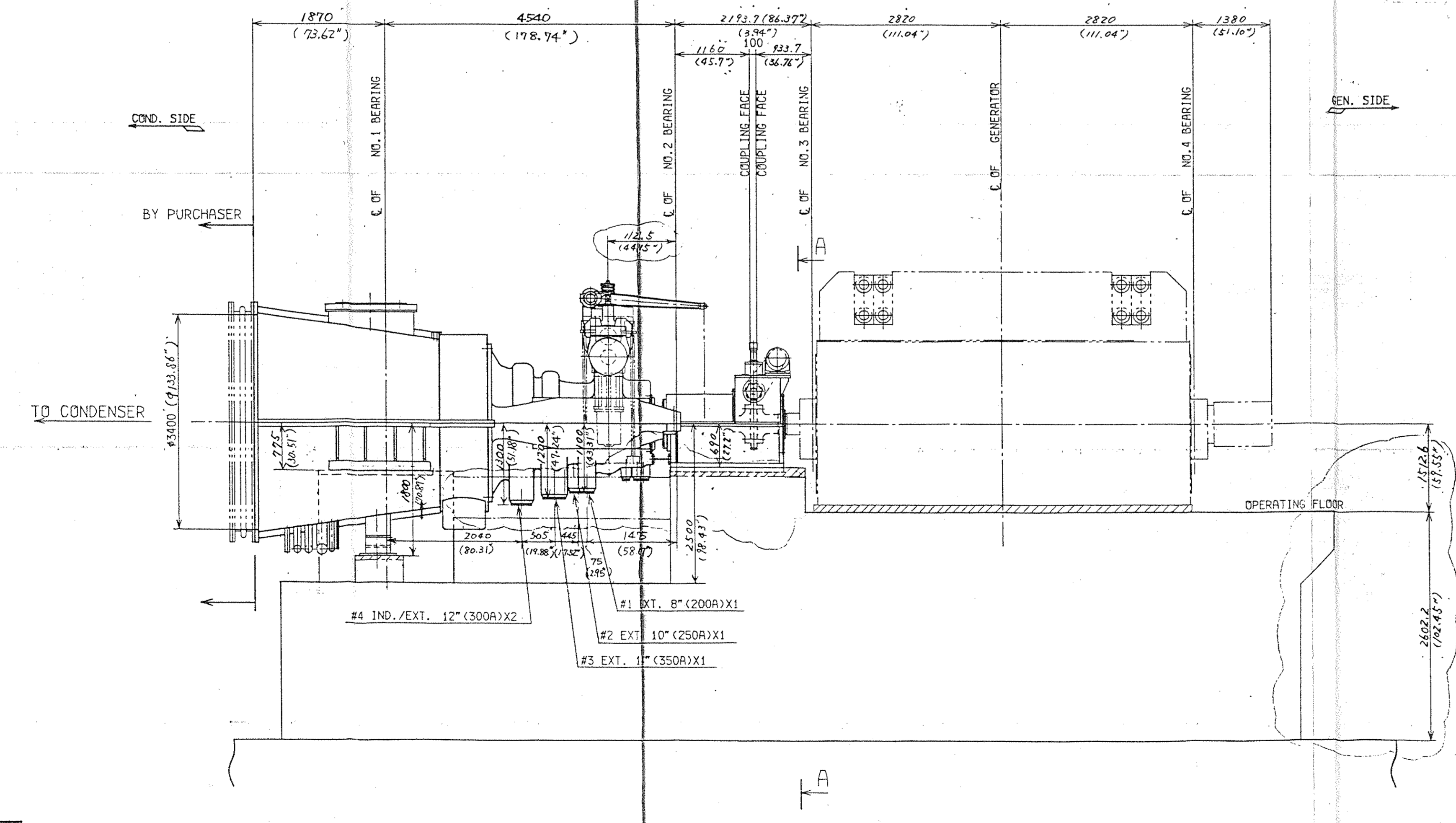
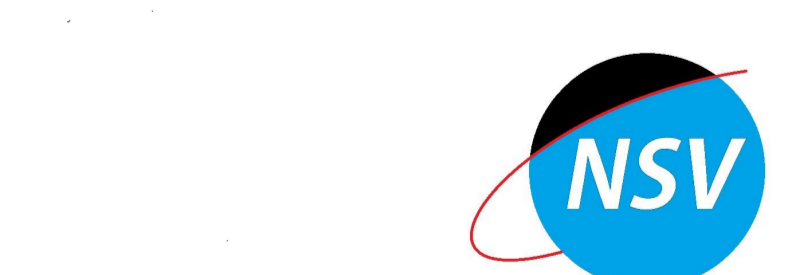
NO.	PARALLEL TO SHAFT		VERTICAL		HORIZONTAL	
	INLET	EXHAUST	INLET	EXHAUST	INLET	EXHAUST
1	12 / 0.472	—	5.37 / 0.212	—	13.64 / 0.537	—
2	12 / 0.472	—	4.15 / 0.163	—	8.96 / 0.353	—
3	5.65 / 0.222	—	-6.93 / -0.273	—	2.34 / 0.092	—
4	9.70 / 0.382	—	-5.72 / -0.225	—	-2.15 / -0.085	—
5	2.75 / 0.108	—	-5.08 / -0.200	—	0 / 0	—
6	1.25 / 0.049	—	-3.92 / -0.151	—	11.41 / 0.450	—
7	-0.245 / -0.010	—	0 / 0	—	0 / 0	—

NO.	POSITION	UNIT
1	INLET	3F + M ≤ 8017
2	GOV. VALVE INLET	3F + M ≤ 8017
3	#1 EXT.	3F + M ≤ 7400
4	#2 EXT.	3F + M ≤ 8017
5	#3 EXT.	3F + M ≤ 7250
6	#4 EXT./ADM.	3F + M ≤ 10175
7	EXHAUST	3F + M ≤ 46250

2 FC + MC ≤ 23989

Fy ≤ 11868
Fx ≤ 4797
Fz ≤ 9546
Mx ≤ 11868
My ≤ 23736
Mz ≤ 11868

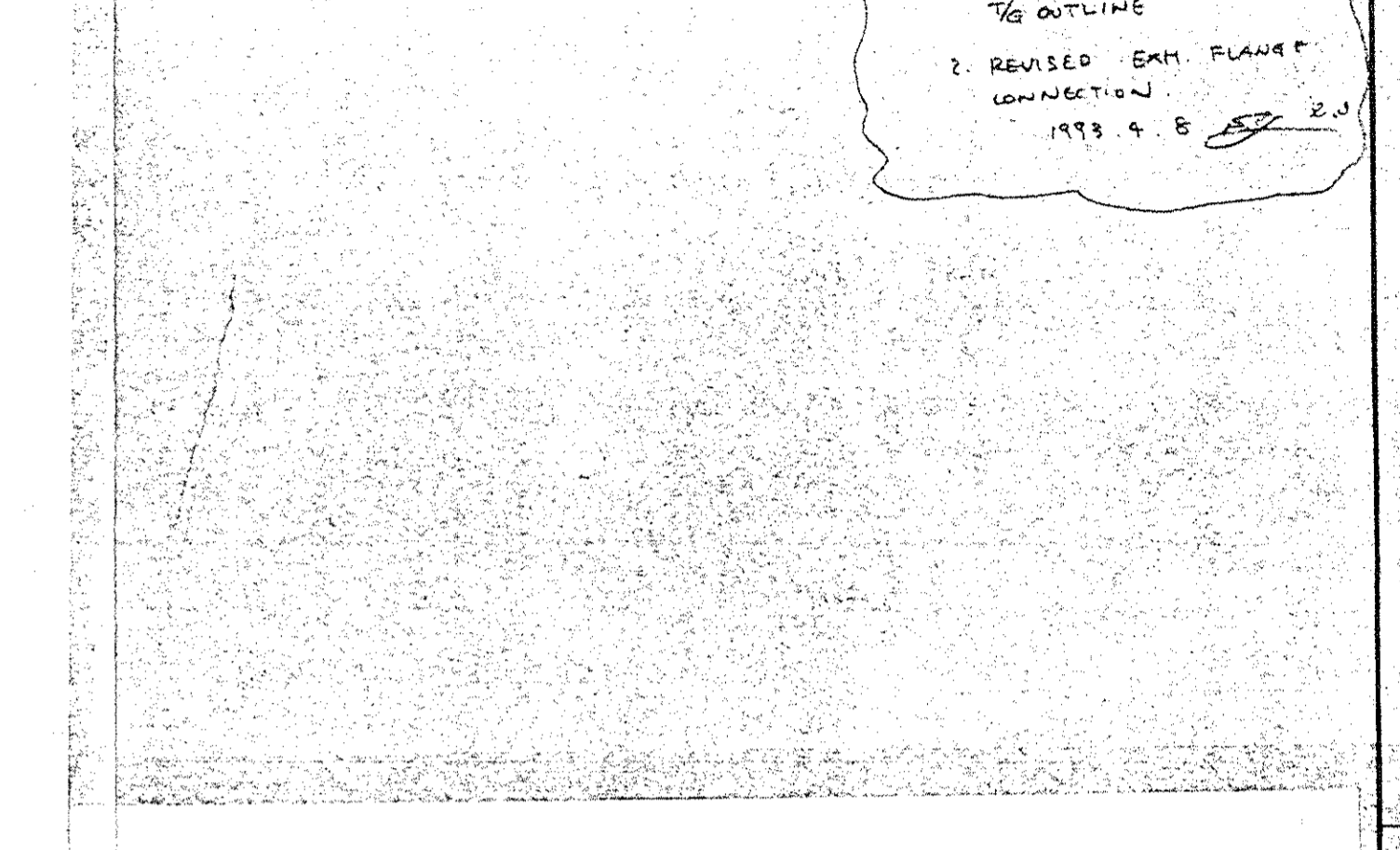
OUTPUT (AT GENE. TERMINAL)	57000 kW
SPEED	3600 rpm
MAIN STEAM INLET PRESSURE	1465 psia
MAIN STEAM INLET TEMPERATURE	950 °F
INDUCTION PRESSURE	125/80 psia
EXHAUST PRESSURE	1.45 inch Hg.



NO.	DATE	DESCRIPTION
1	1992.1.30	ISSUED

REV.	DATE	DESCRIPTION
1	APRIL 13 '92	1. APPROV. DIMENSION OF GENERATOR 2. CHANGED LOADING DATA 3. CHANGED M.S.V. SUPPORT AND PRELIMINARY EXT. STEAM PIPE ROUTE THAT IS TO BE

REV.	DATE	DESCRIPTION
1	JULY 6 '92	1. REVISED POSITION OF EXHAUST WHEEL PER CASING DRAWING
2	1993.4.8	1. REVISED GEN. FOUNDATION DIMENSIONS PER WHS TO 76 OUTLINE 2. REVISED EXH. FLANGE CONNECTION



NO.	DATE	DESCRIPTION
1	JUNE 19 '92	1. REVISED POSITION OF EXHAUST WHEEL PER CASING DRAWING 2. REVISED EXH. FLANGE CONNECTION 3. APPROV. SOME INFORMATION
2	JULY 6 '92	1. REVISED POSITION OF EXHAUST WHEEL PER CASING DRAWING 2. REVISED EXH. FLANGE CONNECTION 3. APPROV. SOME INFORMATION
3	APRIL 7 '93	1. REVISED FOUNDATION DIMENSIONS PER WHS TO 76 OUTLINE 2. REVISED EXH. FLANGE CONNECTION

NO.	DATE	DESCRIPTION
1	1992.1.30	ISSUED