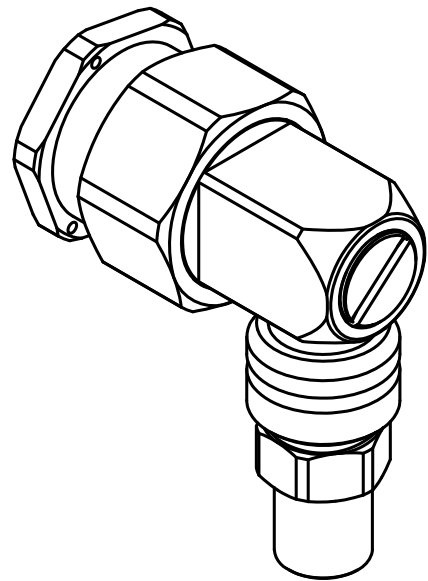
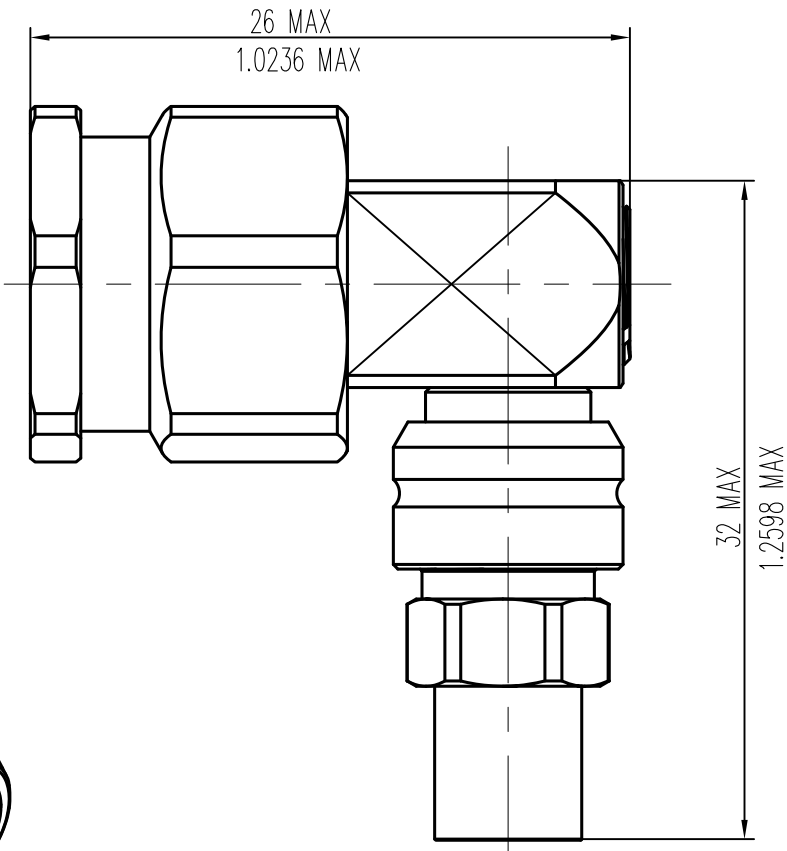


1		2		3		4		5		6	
TECHNICAL SPECIFICATION			METERIAL			FINISH					
FREQUENCY RANGE		DC~18GHz	Inner conductor	Beryllium copper		Gold					
IMPEDANCE		≥5000MΩ	Insulator	PEI		—					
OPERATING TEMP		-55℃~+70℃	Body	Stainless steel 303		Passivated					
VSWR		≤1.25	Nut	Stainless steel 303		Passivated					



UNLESS OTHERWISE SPECIFIED  
 1) ALL DIMENSIONS ARE AFTER PLATING.  
 2) BREAK CORNERS & EDGES.005 R. MAX.  
 3) CHAM. 1ST & LAST THREADS.  
 4) SURFACE ROUGHNESS 63 √ MIL-STD-10.  
 5) DIA S ON COMMON CENTERS TO BE CONCENTRIC WITHIN .004 T.I.R.  
 6) REMOVE ALL BURRS



PROPRIETARY  
 THE INFORMATION CONTAINED IN THIS DRAWING IS THE SOLE PROPERTY OF LANJIAN, INC. WITHOUT THE WRITTEN PERMISSION OF LANJIAN ELECTRONICS, INC IS PROHIBITED.

DRAWN:  
 CHECKED:  
 STANDARDIZATION:  
 APPROVED:

DWG.NO. TNC-MW055  
 TITLE: SIZE 3:1  
 CAGE CODE: SHEET 1/1

A

A

B

B

C

C

D

1