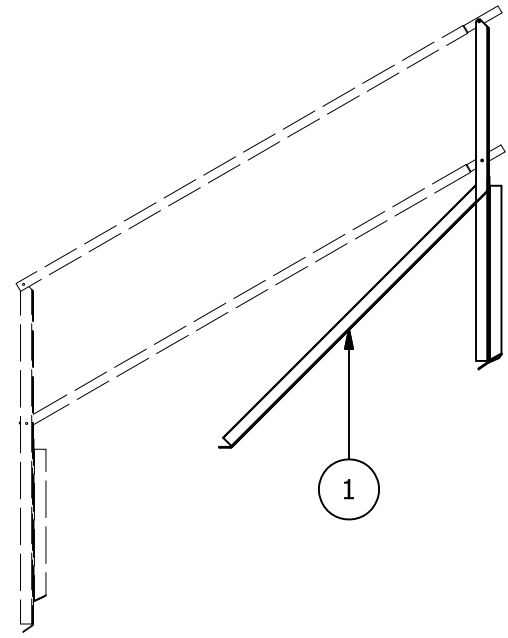
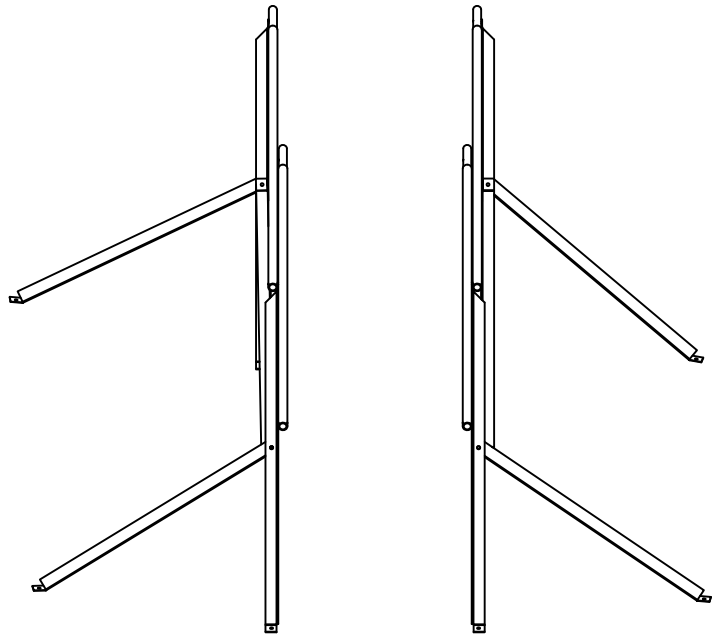
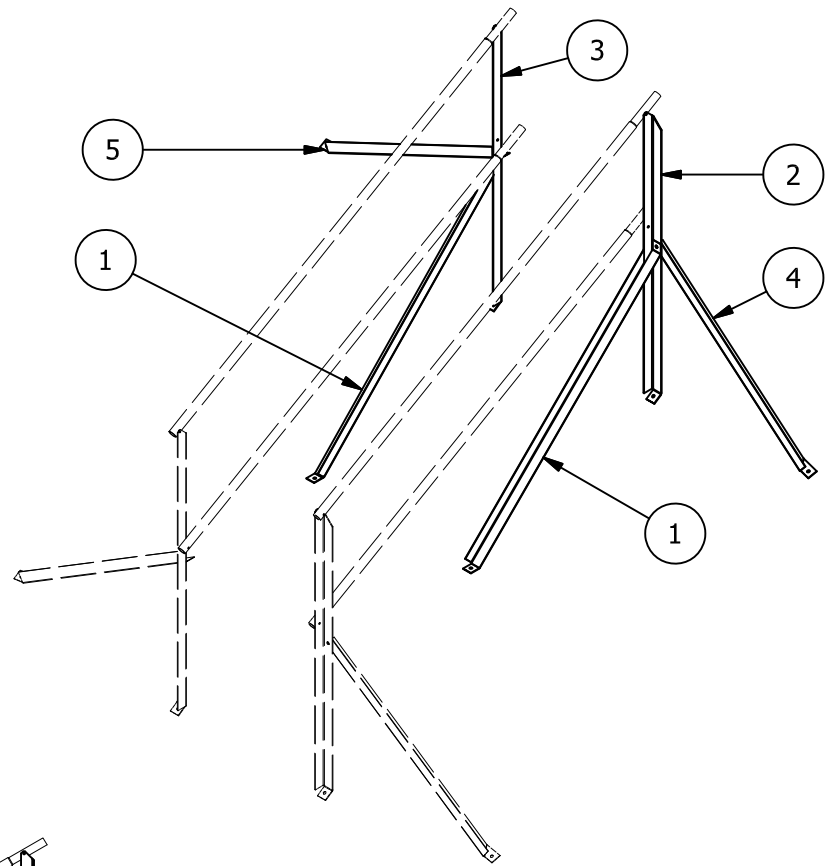


50500 Top Post Package

ITEM	QTY	PART NUMBER
1	2	80143 Peak Ring Brace
2	1	60127 Roof Handrail Post Right
3	1	60128 Roof Handrail Post Left
4	1	60161 Post Knee Brace Right
5	1	60162 Roof Post Brace Left



DRAWN Mike Adams	12/11/2014	Greene Galvanized Stairs	
CHECKED		217-375-4244 www.greenebinstairs.com	
QA		TITLE	
MFG		50500 Top Post Package for	
APPROVED		Roof Ladder Handrail	
SIZE	A	DWG NO	50500
SCALE			REV
		SHEET 3 OF 3	