

Fudakin 4" Round Panel Light, 9 watt 680 Lumen, ETL/cETL & Energy Star

Specifications

Model#	FDK-RP5-09W(3000K) 4"
Description	Round Panel Light
Power	9W 70lm/w
Lumen Efficiency	120Vac 680lm
Voltage Input	
Lumen output	
Color Temperature	3000K, 4000K, 5000K
CRI	Ra>80
LED Chips	SMD 2835
Power Factor	>0.9
Lens	Frosted
Operating Temp.	-25°C~ 55°C
Certificates	ETL/cETL, ES
Warranty	3 years
L70 life span	>50000Hrs
Frame	Aluminum
Dimmable	Yes(Triac)

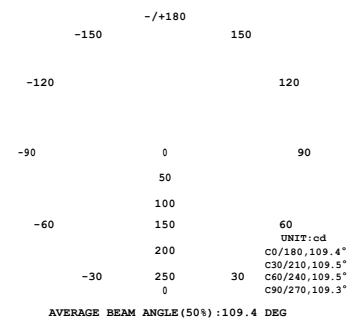
Order Information

Item Number	Description	Power	Voltage Input	Driver	CCT	Lumen Output	Certificates
FDK-RP5-09W	4" Round Panel Light	9W	120Vac	UL Certified	2700K 4000K 5000K	680lm	ETL/cETL , Energy Star

Lux Chart

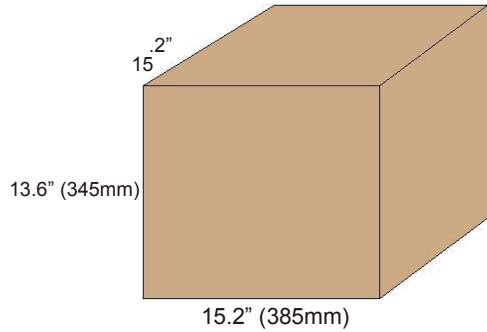
Height	Average Lux (lx)	Light range (dia.)
1M	76.7	277.9cm
2M	19.2	555.9cm
3M	8.5	833.81cm
4M	4.8	1111.7cm
5M	3.1	1389.7cm

Photometrics

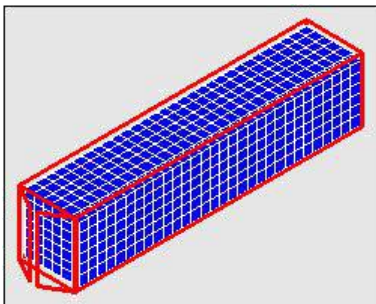


Packaging

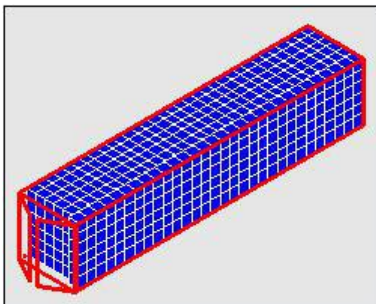
25pcs/CTN Dimension: 15.2"L x 15.2"W x 13.6"H (385mm X 385mm X 345mm)



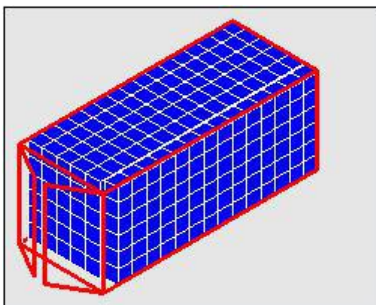
Container Loading QTY



Size	Carton QTY	Product QTY	Volume
40'hq	1230 ctn	30750 pcs	68.13m ³



Size	Carton QTY	Product QTY	Volume
40'gp	1170 ctn	29250 pcs	64.8 m ³



Size	Carton QTY	Product QTY	Volume
20'gp	564 ctn	14100 pcs	31.24 m ³