

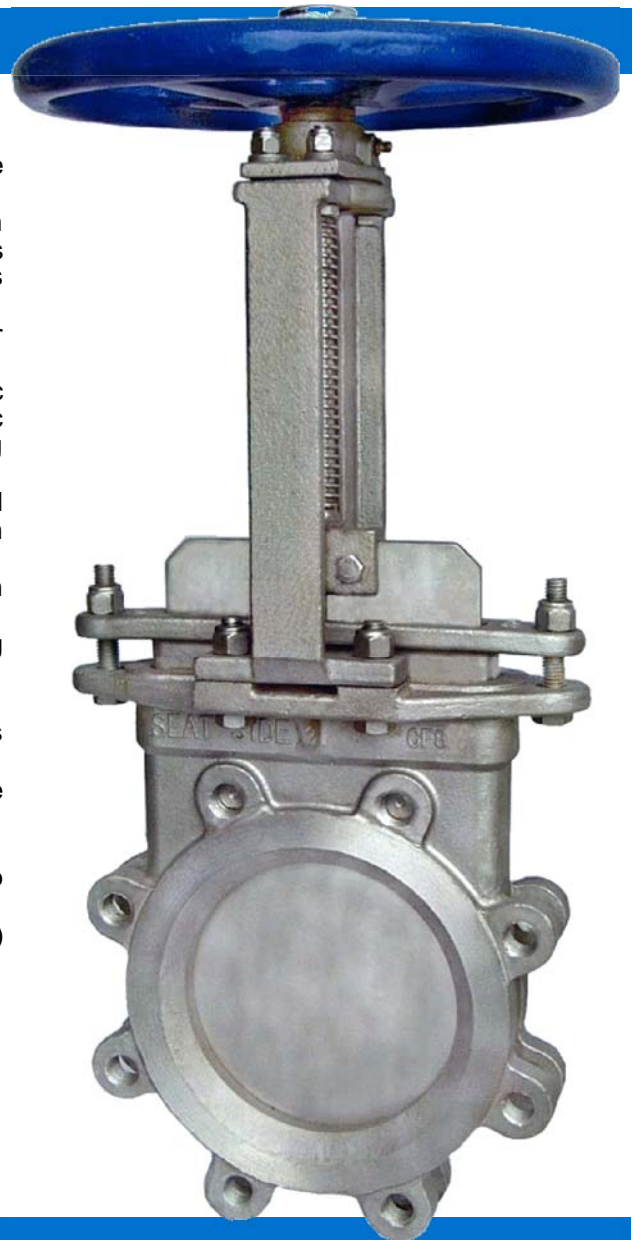
SUNCO



STAINLESS STEEL METAL SEATED KNIFE GATE VALVE

FEATURES

- **Cast stainless steel body**, packing gland, and yoke.
- **Heavy duty body** designed to resist deflection from line loads and internal pressure.
- Body cavity, seat configuration and beveled gate design provides **shut-off capability in thick media** such as pulp stock and slurries, or solid media such as pellets and powders.
- **Heavy duty cast** stainless steel yoke will not bend or twist under extreme loads.
- **Easy conversion** from handwheel operator to hydraulic or pneumatic cylinder, bevel gear, chainwheel, electric motor, or fail safe spring cylinder operator using existing cast yoke.
- **Enclosed bronze stem bushing** provides reduced operating torque and protection of the stem bushing in harsh environments.
- **Hard faced seat** available to prevent galling in high cycle and/or high end pressure or abrasive applications.
- Factory installed **V-Port inserts** available for metering or throttling service.
- **O-Ring resilient seat** available.
- **Precision machined** stainless steel gate provides superior seating capability.
- Gate designed to withstand **full 150 PSI** rated pressure as required by MSS-SP-81.
- **Stainless steel stem** resists corrosion.
- **Various Teflon wiper materials** available in packing to provide gate support and stabilize packing seal.
- Standard **TFE lubricated synthetic packing (TLSP)** rated to 500° F and pH range of 3-11.
- **Full port ID.**



CERTIFICATIONS

- **MSS SP-81** Stainless Steel, Bonnetless, Flanged Knife Gate Valves.
- **AWWA C520** Knife Gate Valves, 2in.—96in.

APPLICATIONS

- Mining, power, chemical.
- Wastewater, pulp and paper, beverage and food processing.

suncopowder.com

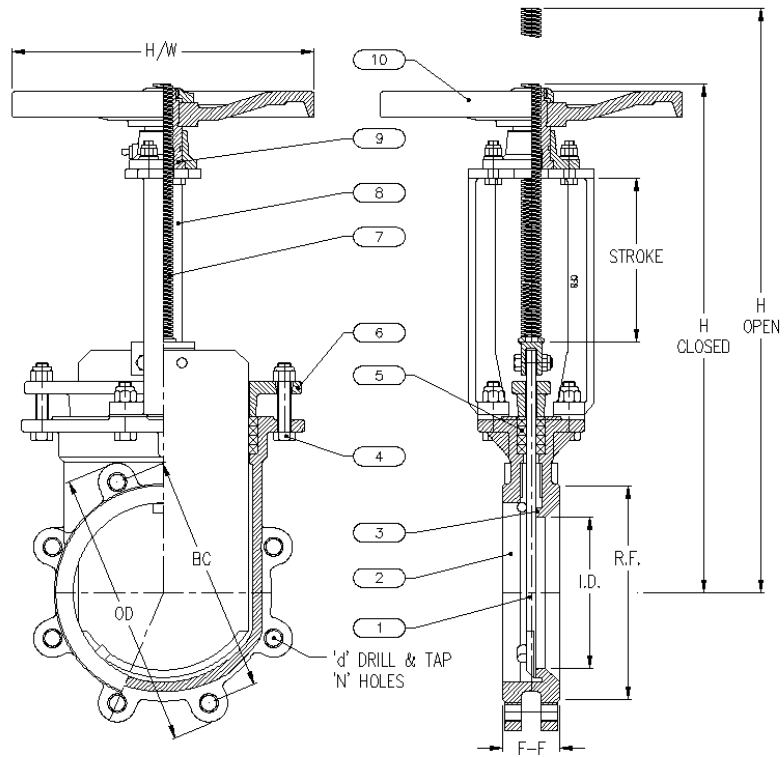
MATERIALS OF CONSTRUCTION

MODEL	76
1 GATE	SS
2 BODY	SS
3 SEAT	SS
4 BOLTS	SS
5 PACKING	TLSP*
6 GLAND	SS
7 STEM	SS
8 YOKE	SS
9 STEM NUT	BRONZE
10 HANDWHEEL	DI

*TLSP = TFE Lubricated Synthetic Packing

Stocked in 304 and 316 SS. 317 SS Available.

Normally supplied with handwheel for manual operation, but can be modified for chainwheel, bevel gear, fail safe spring cylinder, electric motor, hydraulic or pneumatic cylinder operator.



DIMENSIONS (INCHES) AND WEIGHTS

	SIZE	2	3	4	6	8	10	12	14	16	18	20	24
FACE-TO-FACE	F-F	1-7/8	2	2	2-1/4	2-3/4	2-3/4	3	3	3-1/2	3-1/2	4-1/2	4-1/2
FLANGE OD	OD	6	7-1/2	9	11	13-1/2	16	19	21	23-1/2	25	27-1/2	32
BOLT CIRCLE	BC	4-3/4	6	7-1/2	9-1/2	11-3/4	14-1/4	17	18-3/4	21-1/4	22-3/4	25	29-1/2
FLANGE RAISED FACE	RF	3-5/8	5	6-3/16	8-1/2	10-5/8	12-3/4	15	16-1/4	18-1/2	21	23	27-1/4
INSIDE DIAMETER	ID	2	3	4	6	8	10	12	13-1/4	15-1/4	17-1/4	19-1/4	23-1/4
NO. OF BOLT HOLES	N	4	4	8	8	8	12	12	12	16	16	20	20
HOLE D&T SIZE	d	5/8"-11	5/8"-11	5/8"-11	3/4"-10	3/4"-10	7/8"-9	7/8"-9	1"-8	1"-8	1-1/8"-7	1-1/8"-7	1-1/4"-7
C/L TO TOP-CLOSED	H-CLS	14-5/8	15-1/16	16-11/16	20-3/16	23-7/16	27-3/4	31-9/16	37-3/4	43-1/8	46-3/8	50-1/8	55-11/16
C/L TO TOP-OPEN	H-OPN	17-1/8	18-9/16	21-3/16	26-11/16	31-15/16	38-1/4	44-1/16	51-3/4	58-7/8	64-3/8	69-3/4	79-7/8
HANDWHEEL DIA.	H/W	8	8	8	12	12	16	16	20	20	20	20	20
WEIGHT - LB'S	WT	24	28	36	54	76	124	174	234	330	376	620	804
STROKE	S	2-1/2	3-1/2	4-1/2	6-1/2	8-1/2	10-1/2	12-1/2	13-7/8	16	18	20-1/8	24-3/16

A-C Valve reserves the right to revise specifications without prior notice.

1683 Rok Hill Highway
 Rock Hill, SC 29720
 E-mail: sales@suncopowder.com

Tel: 704-545-3922
 Fax: 704-545-8345