

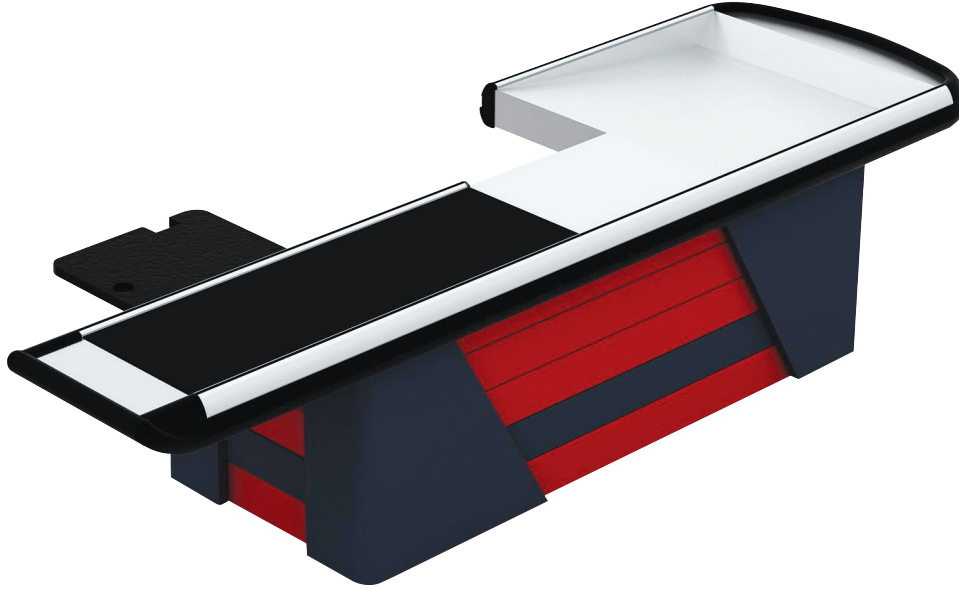


07

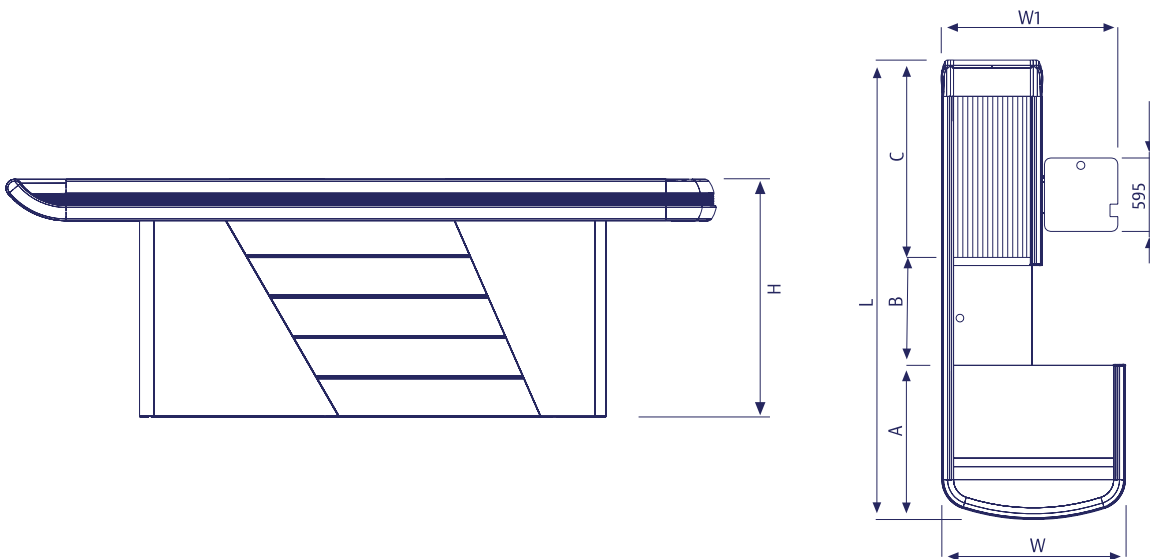
CHECK-OUT
KASAALTI.

**CHECK-OUT
KASA ALTI**

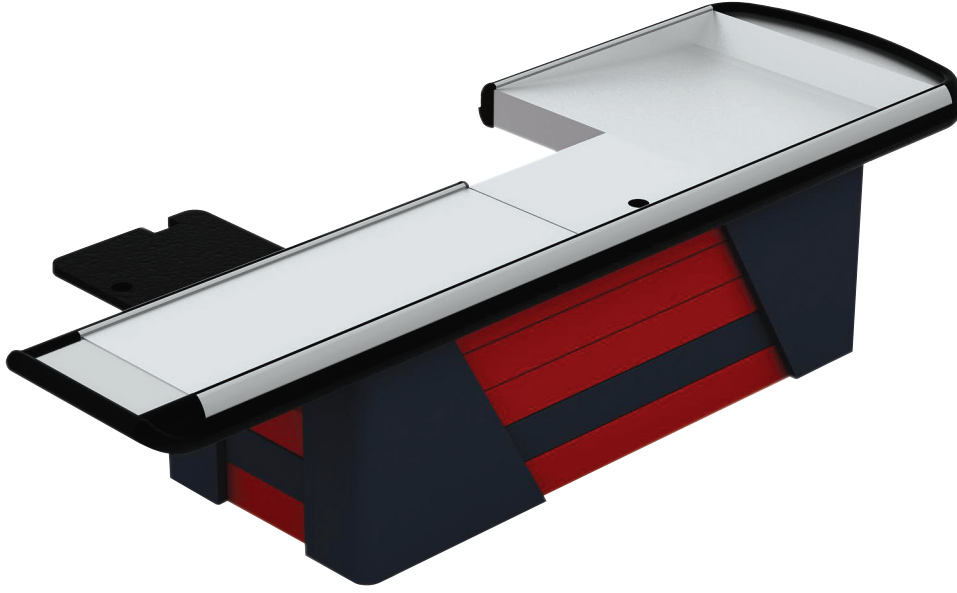
**OPTIMAL CHECK - OUT WITH BELT
OPTİMAL BANTLI KASA ALTI**



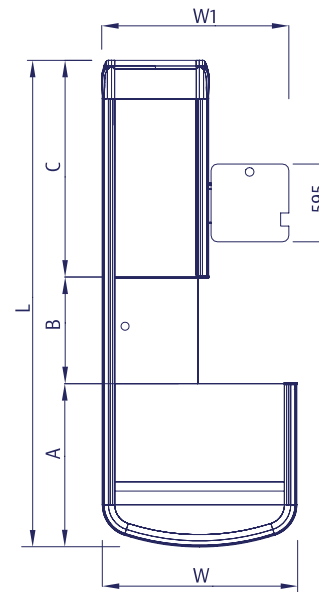
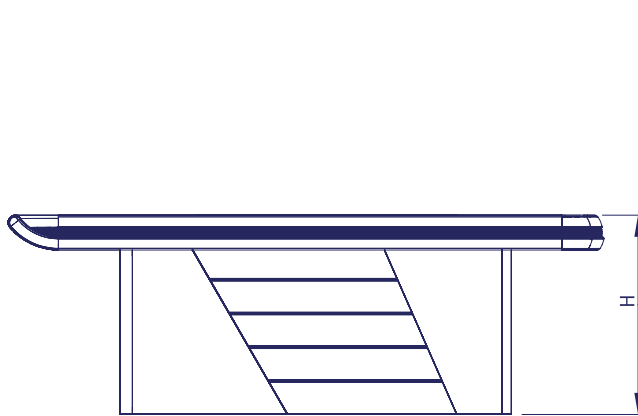
| Code / Right Kod / Sağ | Code / Left Kod / Sol | A | B | C | L | W | W1 | H | Description / Açıklama |
|---------------------------|--------------------------|------|-----|------|------|------|------|-----|------------------------|
| 16.3240 | 16.3440 | 710 | 475 | 1005 | 2200 | 1050 | 1125 | 860 | |
| 16.3241 | 16.3441 | 710 | 575 | 1005 | 2300 | 1050 | 1125 | 860 | |
| 16.3242 | 16.3442 | 820 | 575 | 1005 | 2400 | 1050 | 1125 | 860 | |
| 16.3243 | 16.3443 | 820 | 475 | 1205 | 2500 | 1050 | 1125 | 860 | |
| 16.3244 | 16.3444 | 820 | 575 | 1205 | 2600 | 1050 | 1125 | 860 | |
| 16.3245 | 16.3445 | 920 | 575 | 1205 | 2700 | 1050 | 1125 | 860 | |
| 16.3246 | 16.3446 | 920 | 575 | 1405 | 2900 | 1050 | 1125 | 860 | |
| 16.3247 | 16.3447 | 1120 | 575 | 1405 | 3100 | 1050 | 1125 | 860 | |



OPTIMAL CHECK - OUT WITHOUT BELT
OPTİMAL BANTSIZ KASAALTI

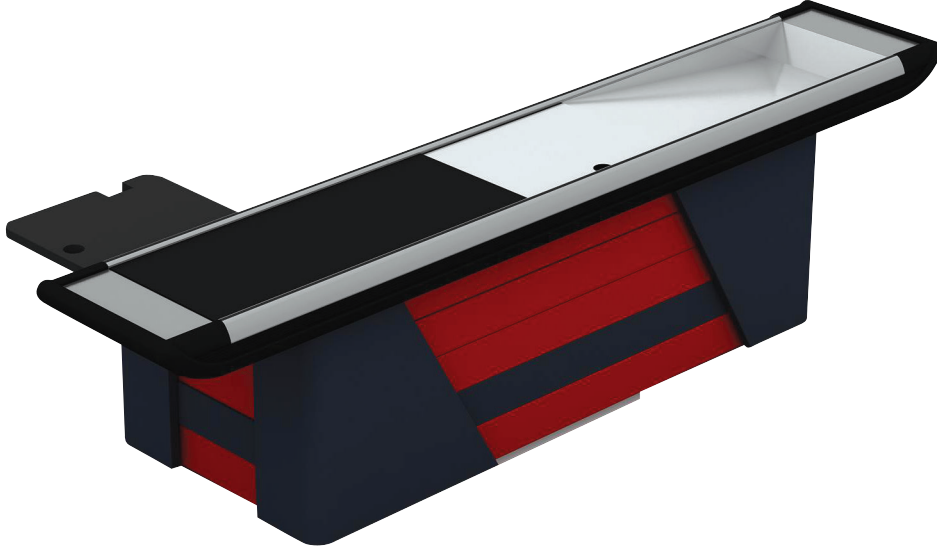


| Code / Right Kod / Sağ | Code / Left Kod / Sol | A | B | C | L | W | W1 | H | Description / Açıklama |
|---------------------------|--------------------------|------|-----|------|------|------|------|-----|------------------------|
| 16.3611 | 16.3631 | 720 | 430 | 950 | 2100 | 1050 | 1125 | 860 | |
| 16.3612 | 16.3632 | 720 | 430 | 1050 | 2200 | 1050 | 1125 | 860 | |
| 16.3613 | 16.3633 | 720 | 530 | 1050 | 2300 | 1050 | 1125 | 860 | |
| 16.3614 | 16.3634 | 820 | 530 | 1050 | 2400 | 1050 | 1125 | 860 | |
| 16.3615 | 16.3635 | 820 | 530 | 1150 | 2500 | 1050 | 1125 | 860 | |
| 16.3616 | 16.3636 | 820 | 530 | 1250 | 2600 | 1050 | 1125 | 860 | |
| 16.3617 | 16.3637 | 920 | 530 | 1250 | 2700 | 1050 | 1125 | 860 | |
| 16.3618 | 16.3638 | 1020 | 530 | 1350 | 2900 | 1050 | 1125 | 860 | |

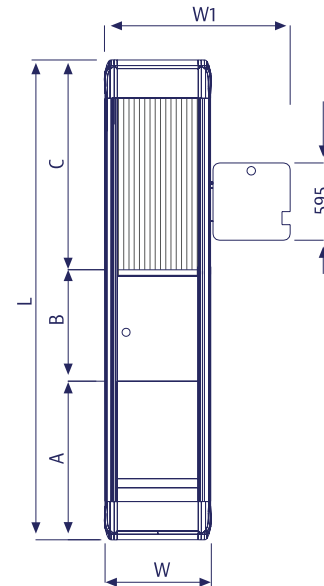
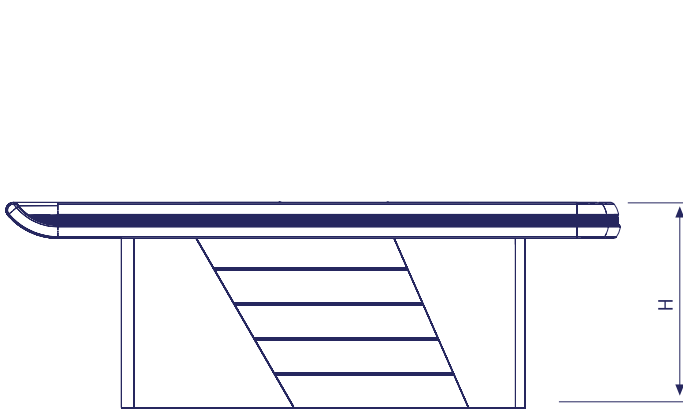


CHECK-OUT KASA ALTI

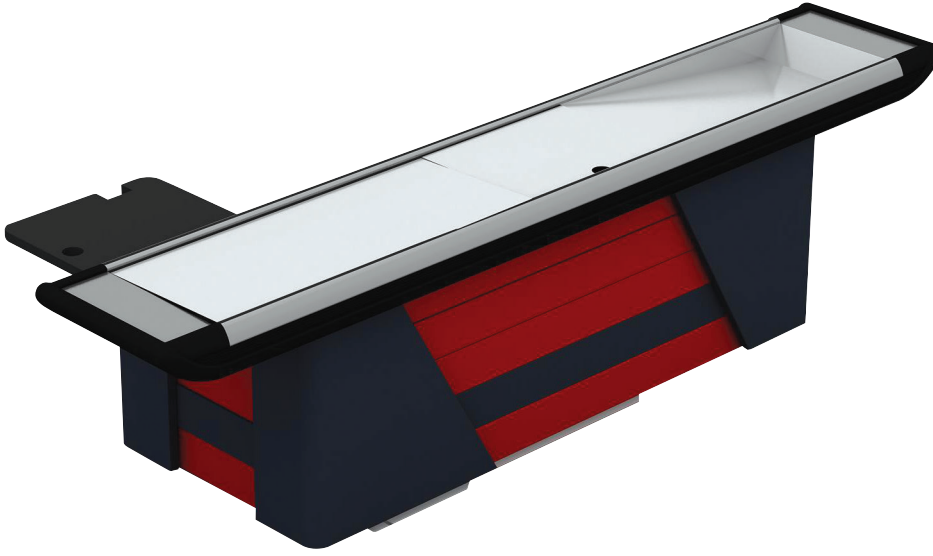
OPTIMAL TANDEM CHECK - OUT WITH BELT OPTİMAL TANDEM BANTLI KASA ALTI



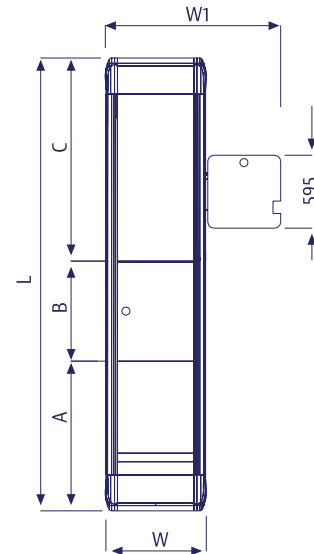
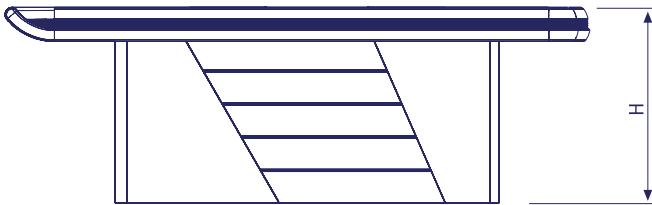
| Code / Right Kod / Sağ | Code / Left Kod / Sol | A | B | C | L | W | W1 | H | Description / Açıklama |
|---------------------------|--------------------------|------|-----|------|------|-----|------|-----|------------------------|
| 16.3260 | 16.3360 | 720 | 475 | 1005 | 2200 | 580 | 1125 | 860 | |
| 16.3261 | 16.3361 | 720 | 575 | 1005 | 2300 | 580 | 1125 | 860 | |
| 16.3262 | 16.3362 | 820 | 575 | 1005 | 2400 | 580 | 1125 | 860 | |
| 16.3263 | 16.3363 | 820 | 475 | 1205 | 2500 | 580 | 1125 | 860 | |
| 16.3264 | 16.3364 | 820 | 575 | 1205 | 2600 | 580 | 1125 | 860 | |
| 16.3265 | 16.3365 | 920 | 575 | 1205 | 2700 | 580 | 1125 | 860 | |
| 16.3266 | 16.3366 | 920 | 575 | 1405 | 2900 | 580 | 1125 | 860 | |
| 16.3267 | 16.3367 | 1120 | 575 | 1405 | 3100 | 580 | 1125 | 860 | |



OPTIMAL TANDEM CHECK - OUT WITHOUT BELT
OPTİMAL TANDEM BANTSIZ KASAALTI

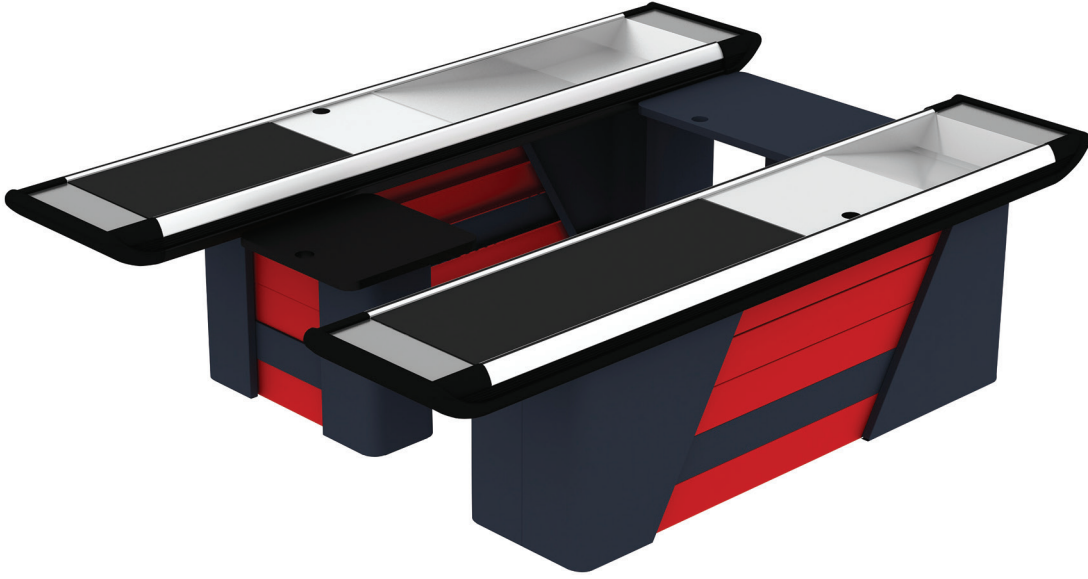


| Code / Right Kod / Sağ | Code / Left Kod / Sol | A | B | C | L | W | W1 | H | Description / Açıklama |
|---------------------------|--------------------------|-----|-----|------|------|-----|------|-----|------------------------|
| 16.3281 | 16.3381 | 720 | 430 | 950 | 2100 | 580 | 1125 | 860 | |
| 16.3282 | 16.3382 | 720 | 430 | 1050 | 2200 | 580 | 1125 | 860 | |
| 16.3283 | 16.3383 | 720 | 530 | 1050 | 2300 | 580 | 1125 | 860 | |
| 16.3284 | 16.3384 | 820 | 530 | 1050 | 2400 | 580 | 1125 | 860 | |
| 16.3285 | 16.3385 | 820 | 530 | 1150 | 2500 | 580 | 1125 | 860 | |
| 16.3286 | 16.3386 | 820 | 530 | 1250 | 2600 | 580 | 1125 | 860 | |
| 16.3287 | 16.3387 | 920 | 530 | 1250 | 2700 | 580 | 1125 | 860 | |

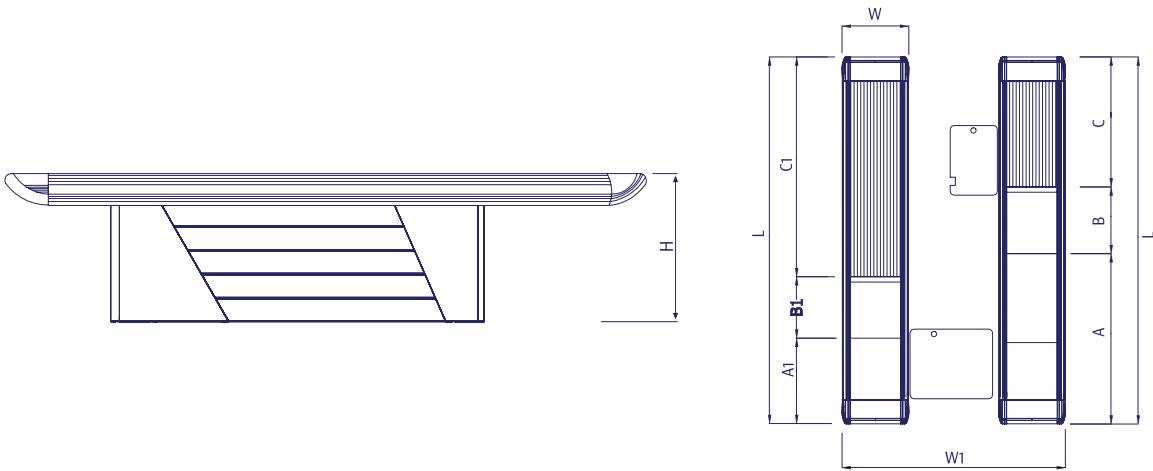


CHECK-OUT
KASAALTI

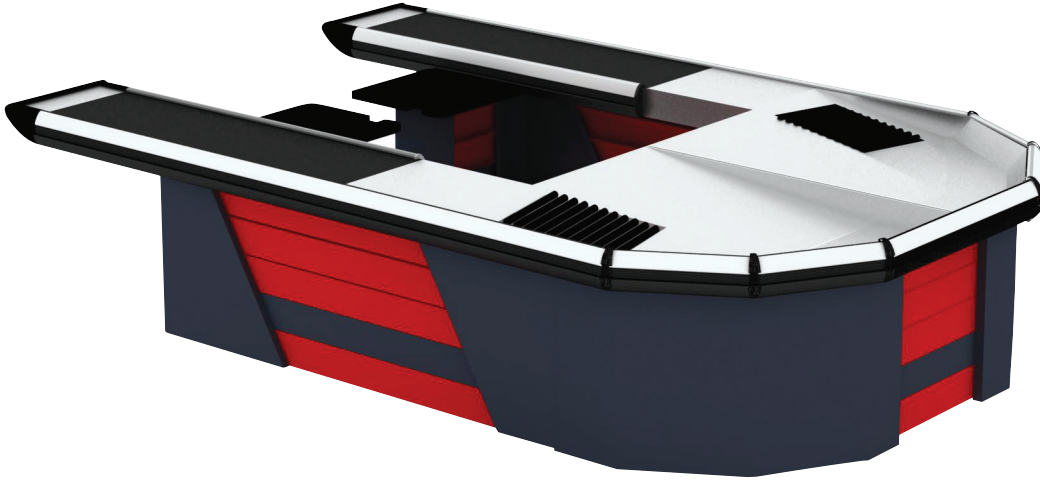
DUAL CHECK - OUT WITH BELT
İKİLİ KASAALTI BANTLI



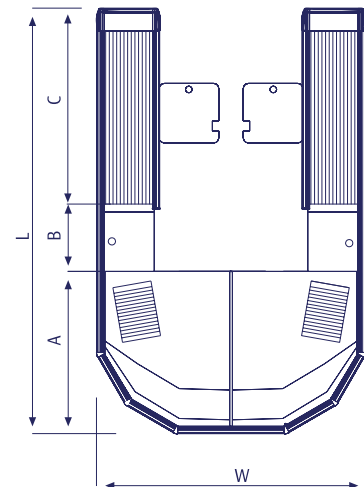
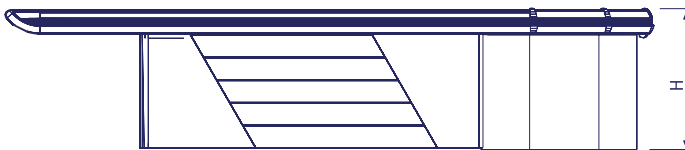
| Code / Kod | A | B | C | A1 | B1 | C1 | L | W | W1 | H | Description / Açıklama |
|------------|------|-----|------|------|-----|------|------|-----|------|-----|------------------------|
| 16.3513 | 1350 | 575 | 975 | 720 | 575 | 1605 | 2900 | 580 | 1900 | 860 | |
| 16.3514 | 1350 | 575 | 1075 | 820 | 575 | 1805 | 3100 | 580 | 1900 | 860 | |
| 16.3515 | 1520 | 575 | 1205 | 920 | 575 | 1805 | 3300 | 580 | 1900 | 860 | |
| 16.3516 | 1520 | 575 | 1605 | 920 | 575 | 2205 | 3700 | 580 | 1900 | 860 | |
| 16.3517 | 1420 | 575 | 2105 | 1020 | 575 | 2505 | 4100 | 580 | 1900 | 860 | |



TWIN CHECK - OUT WITH BELT
İKİZ KASAALTI BANTLI

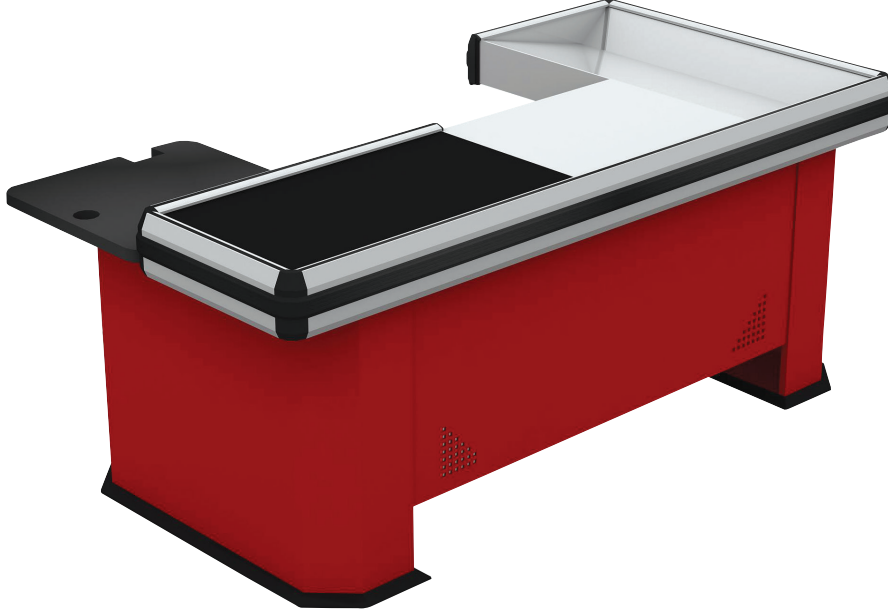


| Code / Kod | A | B | C | L | W | W1 | H | Description / Açıklama |
|------------|------|-----|------|------|------|----|-----|------------------------|
| 16.3462 | 940 | 475 | 1085 | 2500 | 2410 | | 860 | |
| 16.3463 | 940 | 575 | 1185 | 2700 | 2410 | | 860 | |
| 16.3467 | 1300 | 575 | 1475 | 3350 | 2410 | | 860 | |
| 16.3468 | 1300 | 575 | 1675 | 3550 | 2410 | | 860 | |
| 16.3469 | 1300 | 575 | 1875 | 3750 | 2410 | | 860 | |
| 16.3470 | 1300 | 675 | 1975 | 3950 | 2410 | | 860 | |
| 16.3471 | 1300 | 575 | 2275 | 4150 | 2410 | | 860 | |

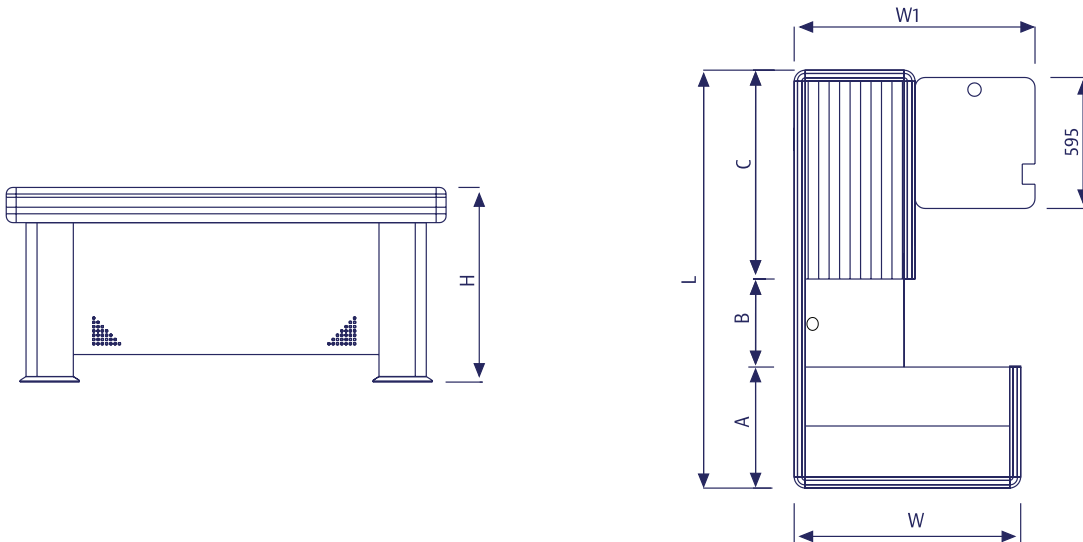


CHECK-OUT KASAALTI

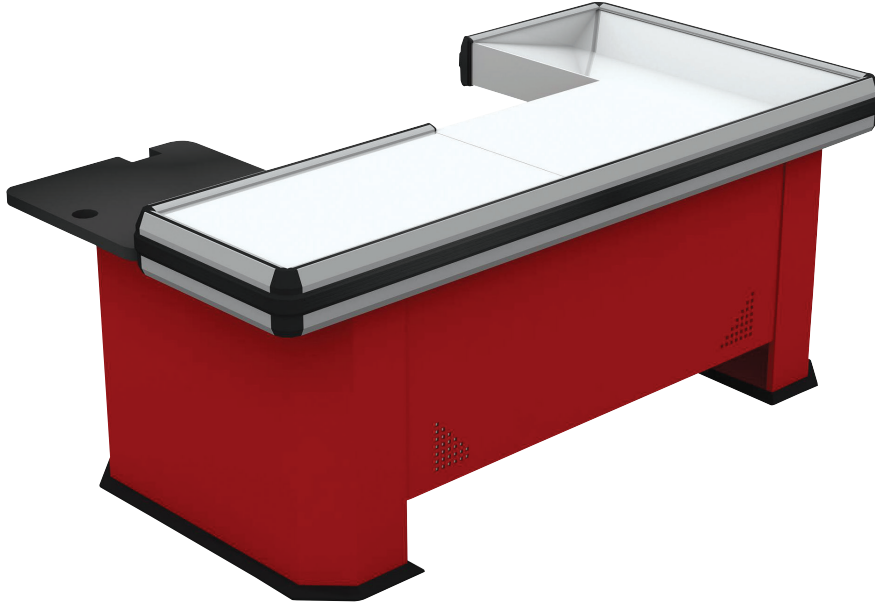
CHECK - OUT WITH BELT - COOL SERIES BANTLI KASALTI - COOL SERİSİ



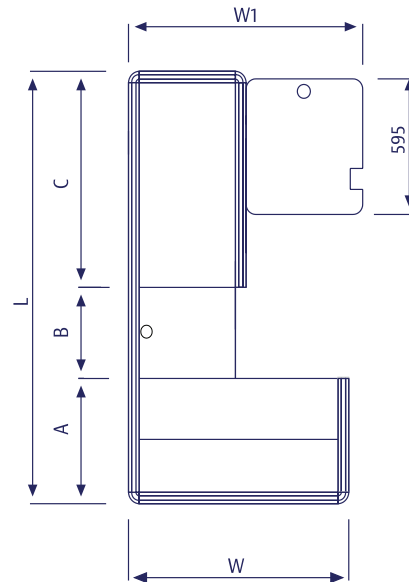
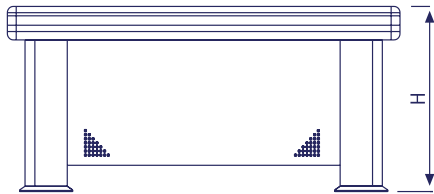
| Code / Right Kod / Sağ | Code / Left Kod / Sol | A | B | C | L | W | W1 | H | Description / Açıklama |
|---------------------------|--------------------------|------|-----|------|------|------|------|-----|------------------------|
| 16.3086 | 16.3186 | 550 | 575 | 875 | 2000 | 1030 | 1120 | 860 | |
| 16.3087 | 16.3187 | 550 | 575 | 975 | 2100 | 1030 | 1120 | 860 | |
| 16.3088 | 16.3188 | 650 | 575 | 975 | 2200 | 1030 | 1120 | 860 | |
| 16.3089 | 16.3189 | 750 | 575 | 975 | 2300 | 1030 | 1120 | 860 | |
| 16.3090 | 16.3190 | 750 | 575 | 1175 | 2500 | 1030 | 1120 | 860 | |
| 16.3091 | 16.3191 | 750 | 575 | 1375 | 2700 | 1030 | 1120 | 860 | |
| 16.3092 | 16.3192 | 1050 | 575 | 1575 | 3200 | 1030 | 1120 | 860 | |



CHECK - OUT WITH OUT BELT - COOL SERIES
BANTSIZ KASAALTI - COOL SERİSİ

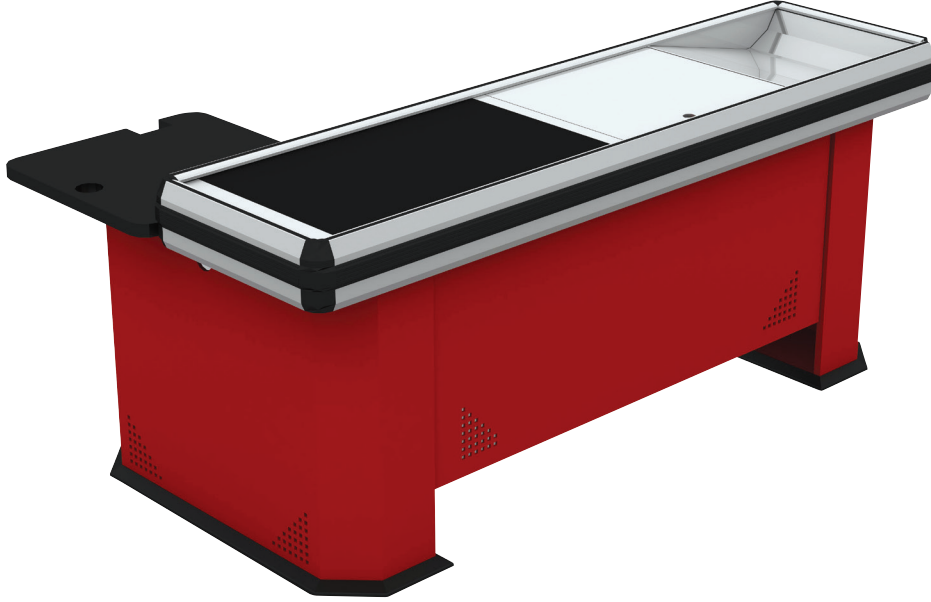


| Code / Right Kod / Sağ | Code / Left Kod / Sol | A | B | C | L | W | W1 | H | Description / Açıklama |
|---------------------------|--------------------------|-----|-----|------|------|------|------|-----|------------------------|
| 16.3102 | 16.3122 | 550 | 530 | 820 | 1900 | 1030 | 1120 | 860 | |
| 16.3108 | 16.3128 | 550 | 530 | 920 | 2000 | 1030 | 1120 | 860 | |
| 16.3103 | 16.3123 | 550 | 530 | 1020 | 2100 | 1030 | 1120 | 860 | |
| 16.3104 | 16.3124 | 550 | 530 | 1120 | 2200 | 1030 | 1120 | 860 | |
| 16.3107 | 16.3127 | 650 | 530 | 1120 | 2300 | 1030 | 1120 | 860 | |
| 16.3105 | 16.3125 | 650 | 530 | 1220 | 2400 | 1030 | 1120 | 860 | |
| 16.3106 | 16.3126 | 750 | 530 | 1220 | 2500 | 1030 | 1120 | 860 | |

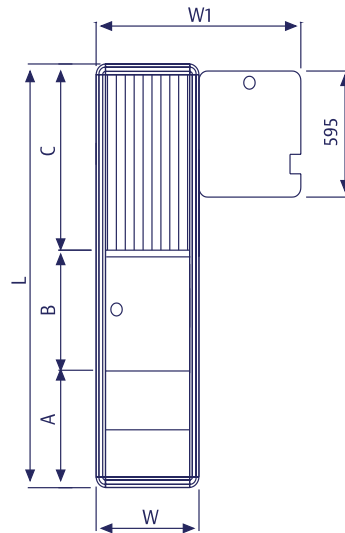
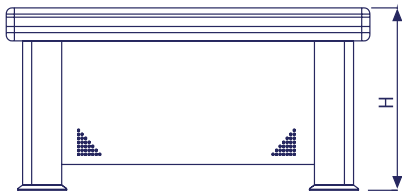


CHECK-OUT KASAALTI

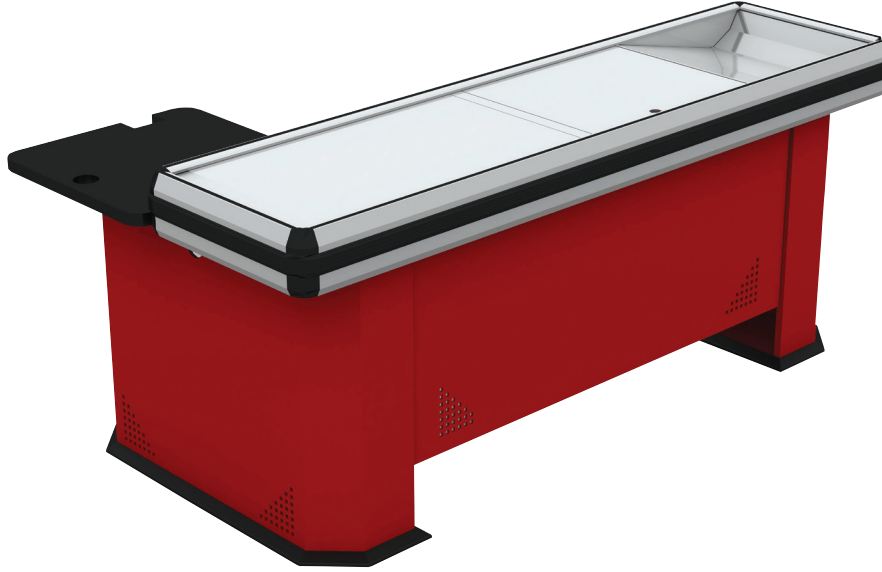
TANDEM CHECK - OUT WITH BELT COOL SERIES TANDEM BANTLI KASAALTI COOL SERİSİ



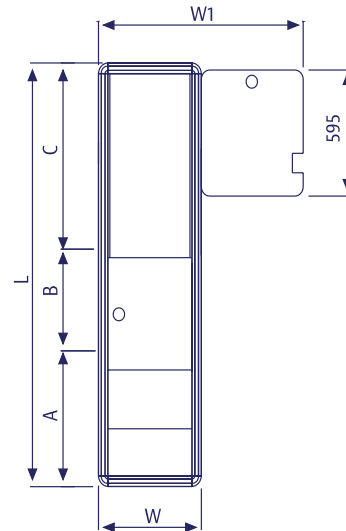
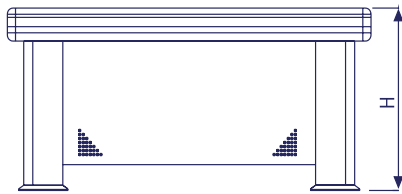
| Code / Right Kod / Sağ | Code / Left Kod / Sol | A | B | C | L | W | W1 | H | Description / Açıklama |
|---------------------------|--------------------------|-----|-----|------|------|-----|------|-----|------------------------|
| 16.3071 | 16.3171 | 550 | 575 | 875 | 2000 | 550 | 1120 | 860 | |
| 16.3072 | 16.3172 | 650 | 575 | 875 | 2100 | 550 | 1120 | 860 | |
| 16.3073 | 16.3173 | 650 | 575 | 975 | 2200 | 550 | 1120 | 860 | |
| 16.3074 | 16.3174 | 650 | 575 | 1075 | 2300 | 550 | 1120 | 860 | |
| 16.3075 | 16.3175 | 750 | 575 | 1175 | 2500 | 550 | 1120 | 860 | |
| 16.3076 | 16.3176 | 750 | 575 | 1375 | 2700 | 550 | 1120 | 860 | |



TANDEM CHECK - OUT WITHOUT BELT - COOL SERIES
TANDEM BANTSIZ KASAALTI - COOL SERİSİ

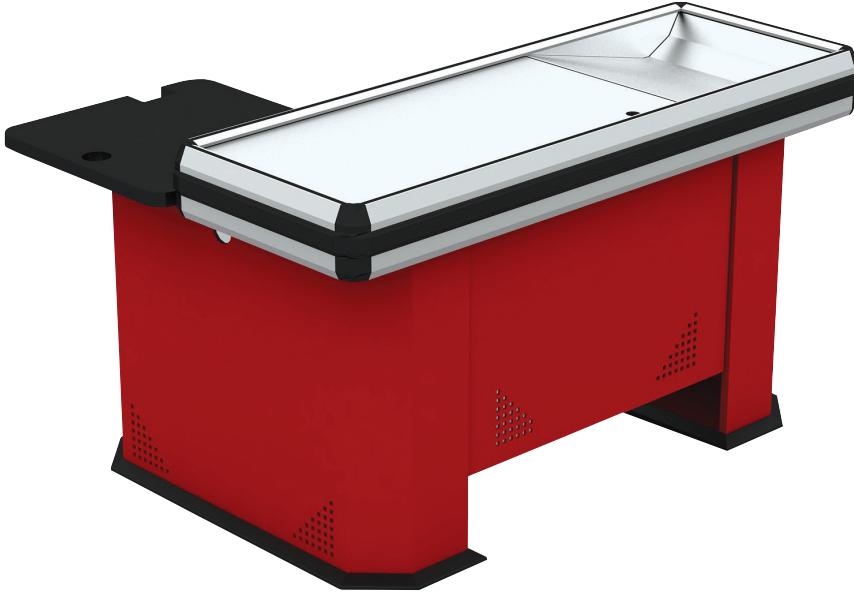


| Code / Right Kod / Sağ | Code / Left Kod / Sol | A | B | C | L | W | W1 | H | Description / Açıklama |
|---------------------------|--------------------------|-----|-----|------|------|-----|------|-----|------------------------|
| 16.3002 | 16.3022 | 550 | 530 | 820 | 1900 | 550 | 1120 | 860 | |
| 16.3008 | 16.3028 | 550 | 530 | 920 | 2000 | 550 | 1120 | 860 | |
| 16.3003 | 16.3023 | 650 | 530 | 875 | 2100 | 550 | 1120 | 860 | |
| 16.3004 | 16.3024 | 750 | 530 | 1020 | 2300 | 550 | 1120 | 860 | |
| 16.3005 | 16.3025 | 750 | 530 | 1220 | 2500 | 550 | 1120 | 860 | |
| 16.3006 | 16.3026 | 850 | 530 | 1320 | 2700 | 550 | 1120 | 860 | |

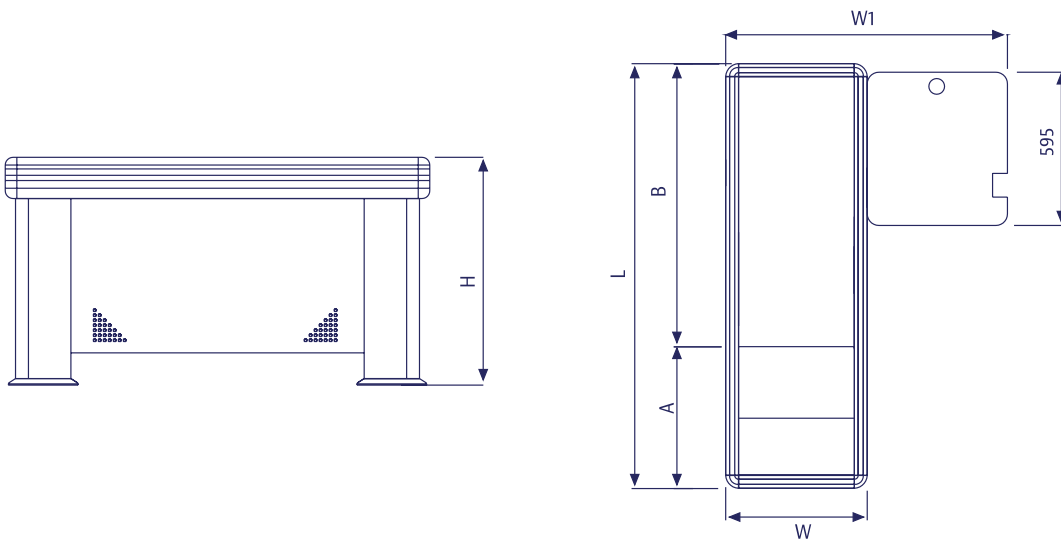


CHECK-OUT
KASAALTI

TANDEM CHECK - OUT WITHOUT BELT - COOL SERIES
KÜÇÜK BANTSIZ KASAALTI - COOL SERİSİ



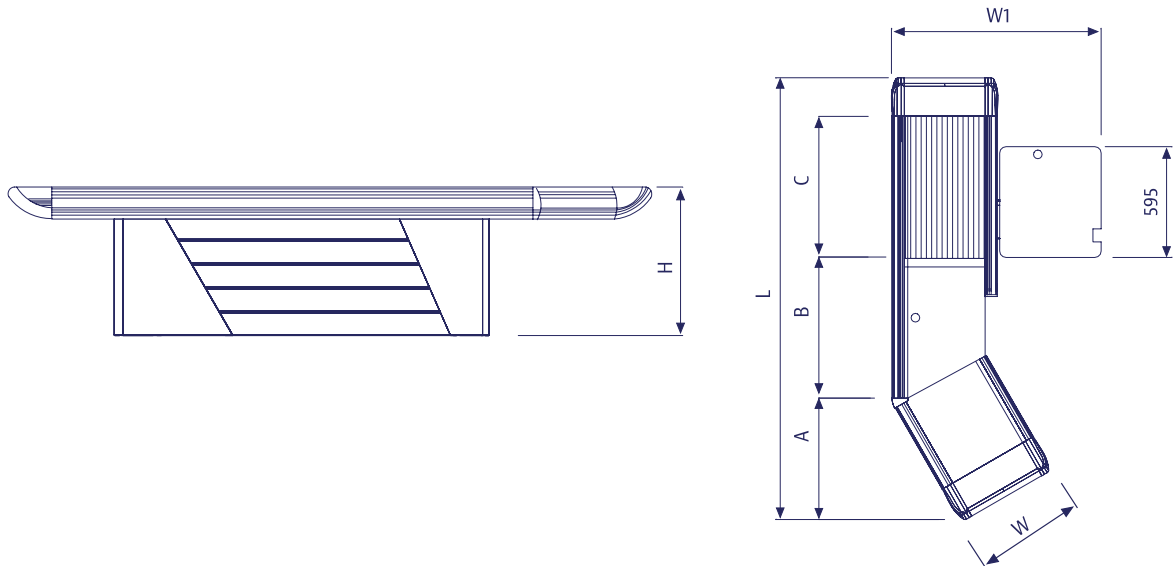
| Code / Right Kod / Sağ | Code / Left Kod / Sol | A | B | L | W | W1 | H | Description / Açıklama |
|---------------------------|--------------------------|-----|------|------|-----|------|-----|------------------------|
| 16.2999 | 16.3019 | 550 | 650 | 1200 | 550 | 1120 | 860 | |
| 16.3000 | 16.3020 | 550 | 950 | 1500 | 550 | 1120 | 860 | |
| 16.3001 | 16.3021 | 550 | 1100 | 1650 | 550 | 1120 | 860 | |



TWIST CHECK-OUT WITH BELT
TWIST BANTLI KASAALTI



| Code / Right Kod / Sağ | Code / Left Kod / Sol | A | B | C | L | W | W1 | H | Description / Açıklama |
|---------------------------|--------------------------|-----|-----|------|------|-----|------|-----|------------------------|
| 16.3551 | 16.3571 | 720 | 700 | 780 | 2200 | 580 | 1125 | 860 | |
| 16.3552 | 16.3572 | 720 | 700 | 880 | 2300 | 580 | 1125 | 860 | |
| 16.3553 | 16.3573 | 720 | 700 | 980 | 2400 | 580 | 1125 | 860 | |
| 16.3554 | 16.3574 | 720 | 700 | 1080 | 2500 | 580 | 1125 | 860 | |
| 16.3555 | 16.3575 | 720 | 700 | 1180 | 2600 | 580 | 1125 | 860 | |
| 16.3556 | 16.3576 | 720 | 700 | 1280 | 2700 | 580 | 1125 | 860 | |
| 16.3557 | 16.3577 | 720 | 700 | 1680 | 3100 | 580 | 1125 | 860 | |

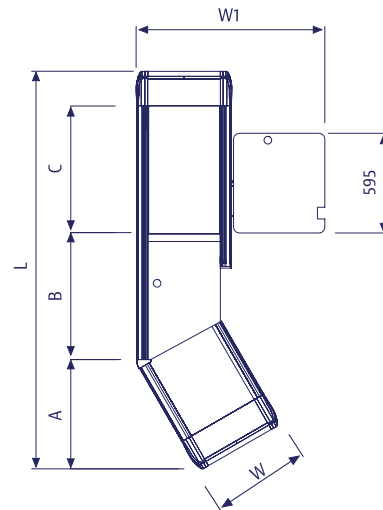
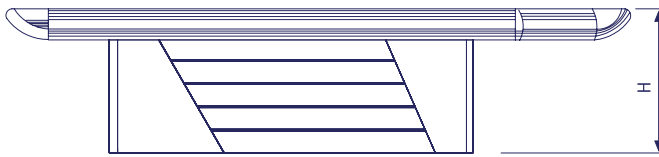


CHECK-OUT
KASAALTI

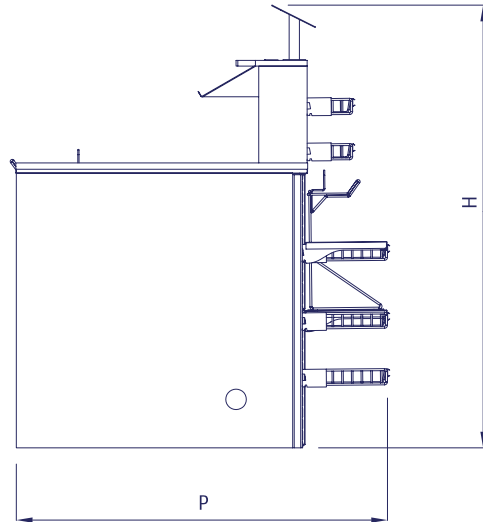
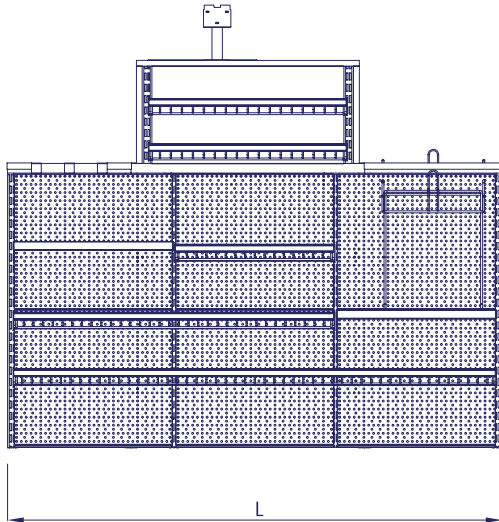
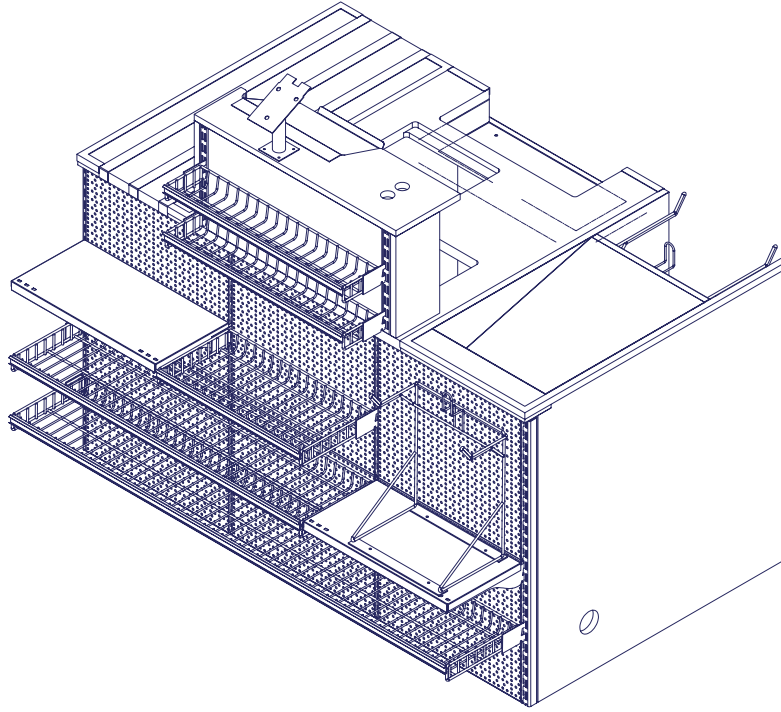
TWIST CHECK-OUT WITHOUT BELT
TWIST BANTSIZ KASAALTI



| Code / Right Kod / Sağ | Code / Left Kod / Sol | A | B | C | L | W | W1 | H | Description / Açıklama |
|---------------------------|--------------------------|-----|-----|------|------|-----|------|-----|------------------------|
| 16.3591 | 16.3691 | 720 | 700 | 780 | 2200 | 580 | 1125 | 860 | |
| 16.3592 | 16.3692 | 720 | 700 | 780 | 2200 | 580 | 1125 | 860 | |
| 16.3593 | 16.3693 | 720 | 700 | 880 | 2300 | 580 | 1125 | 860 | |
| 16.3594 | 16.3694 | 720 | 700 | 980 | 2400 | 580 | 1125 | 860 | |
| 16.3595 | 16.3695 | 720 | 700 | 1080 | 2500 | 580 | 1125 | 860 | |
| 16.3596 | 16.3696 | 720 | 700 | 1180 | 2600 | 580 | 1125 | 860 | |
| 16.3597 | 16.3697 | 720 | 700 | 1280 | 2700 | 580 | 1125 | 860 | |
| 16.3599 | 16.3699 | 720 | 700 | 1680 | 3100 | 580 | 1125 | 860 | |



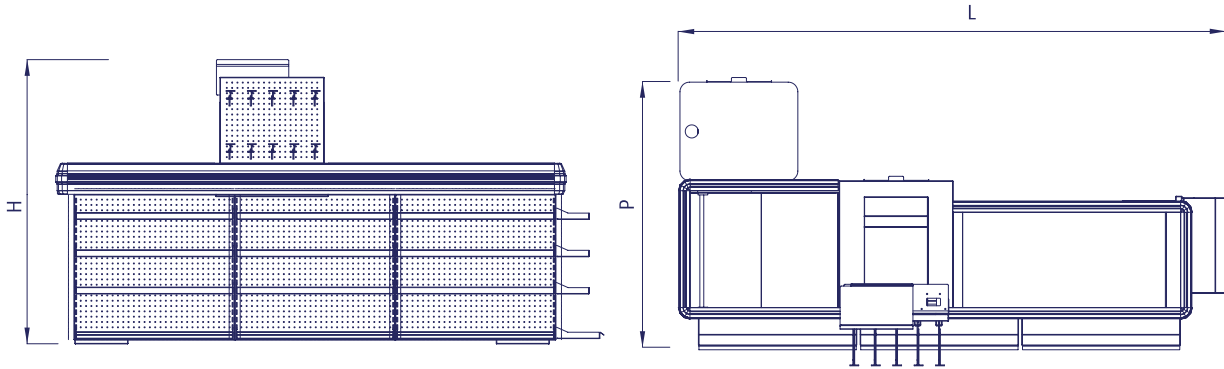
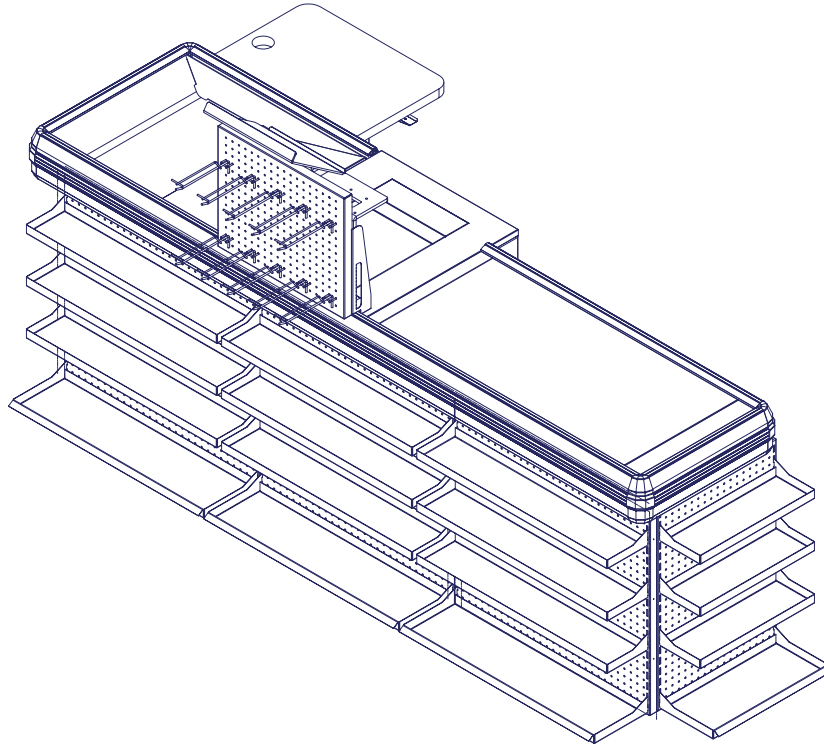
EXPRESS CHECK-OUT (WOODEN BODY - STAINLESS STEEL TOP)
EKSPRES KASAALTI (AĖŞAP GÖVDE - PASLANMAZ ÜST YÜZEY)



| Code / Right Kod / Sağ | Code / Left Kod / Sol | P | H | L | Description / Açıklama |
|---------------------------|--------------------------|------|------|------|---|
| 16.3710 | 16.3720 | 1150 | 1370 | 1530 | *Front Panels Are Perforated *Ön Paneller Delikli Arka Sac |

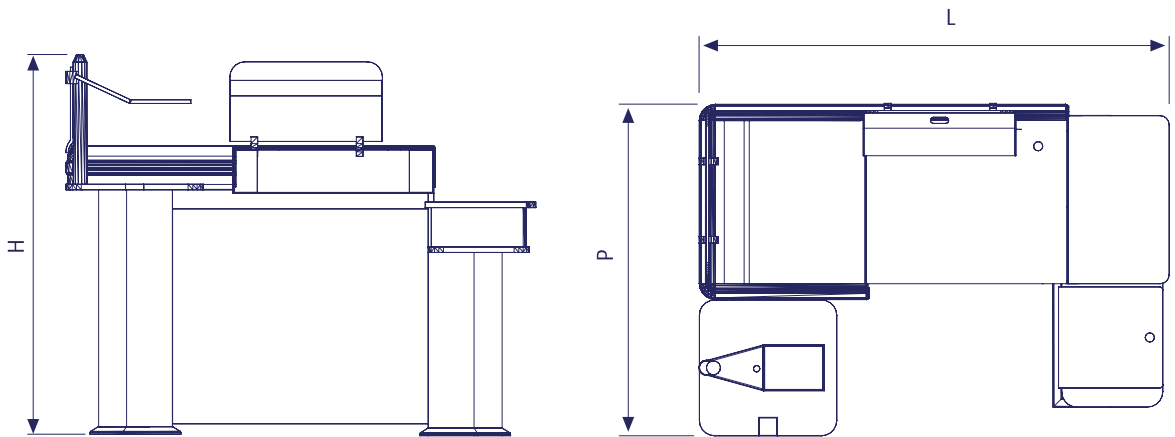
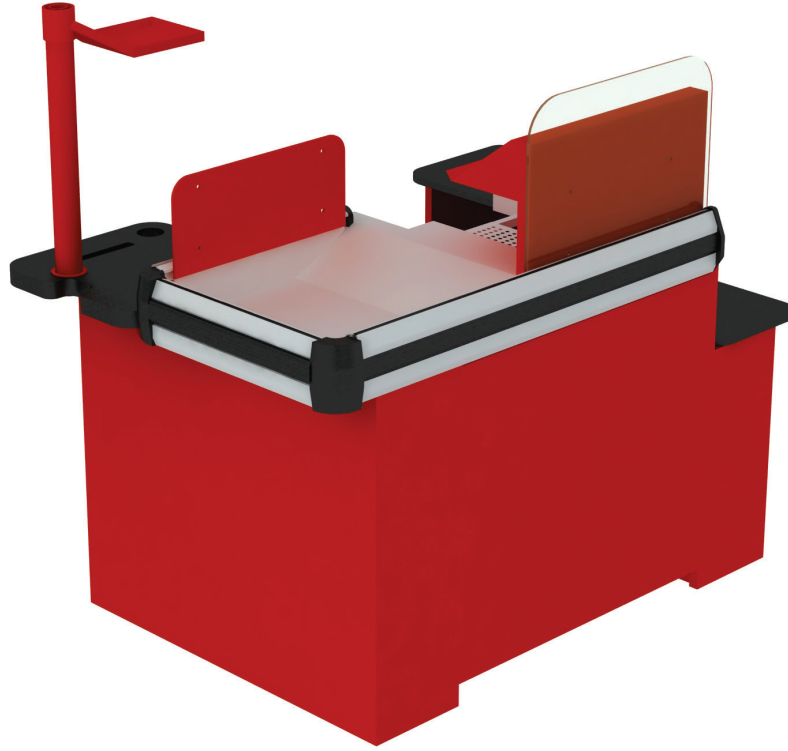
CHECK-OUT
KASAALTI

EXPRESS CHECK-OUT (FRONT WITH SHELF)
EKSPRES KASAALTI (ÖN RAFLI)



| Code / Right Kod / Sağ | Code / Left Kod / Sol | P | H | L | Description / Açıklama |
|---------------------------|--------------------------|------|------|------|---|
| 16.3232 | 16.3252 | 1250 | 1335 | 2575 | *Front Panels Are Perforated *Ön Paneller Delikli Arka Sac |

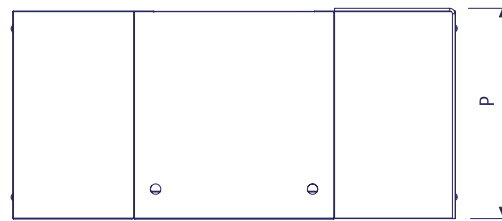
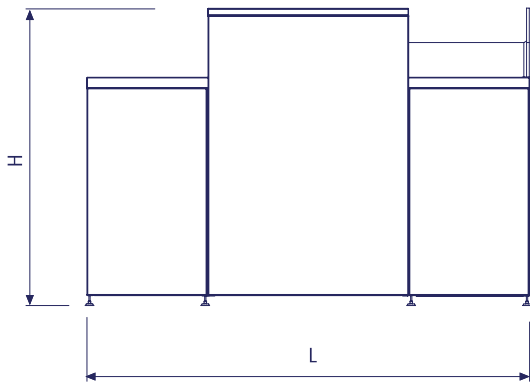
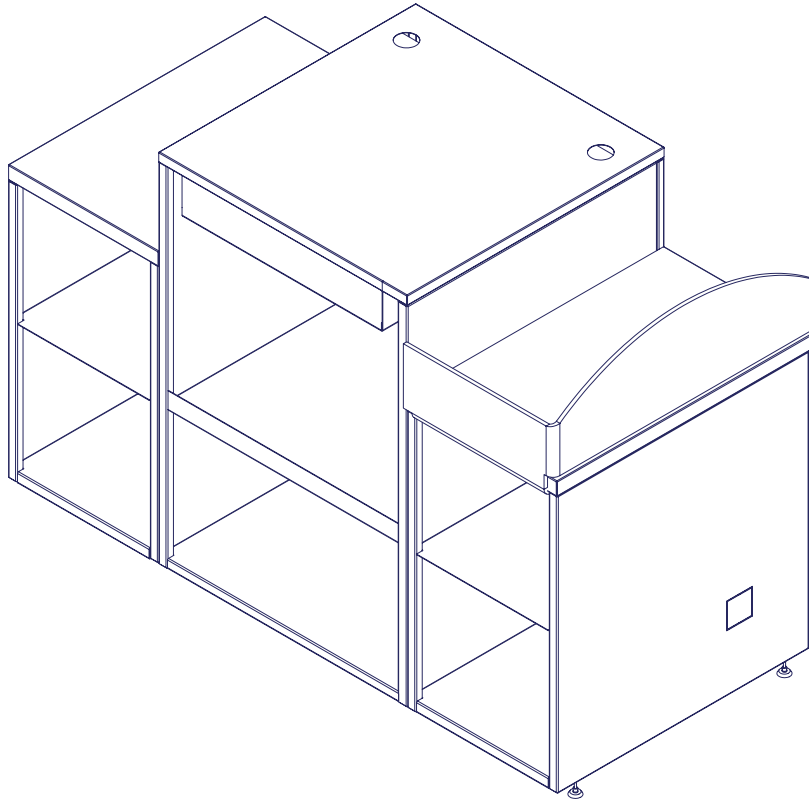
EXPRESS CHECK-OUT
EKSPRES KASAALTI



| Code / Right Kod / Sağ | Code / Left Kod / Sol | P | H | L | Description / Açıklama |
|---------------------------|--------------------------|------|------|------|------------------------|
| 16.3212 | 16.3222 | 1000 | 1500 | 1450 | |

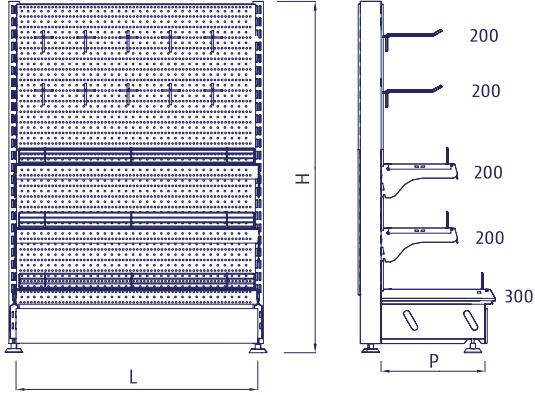
CHECK-OUT
KASAALTI

EXPRESS CHECK-OUT
EKSPRES KASAALTI



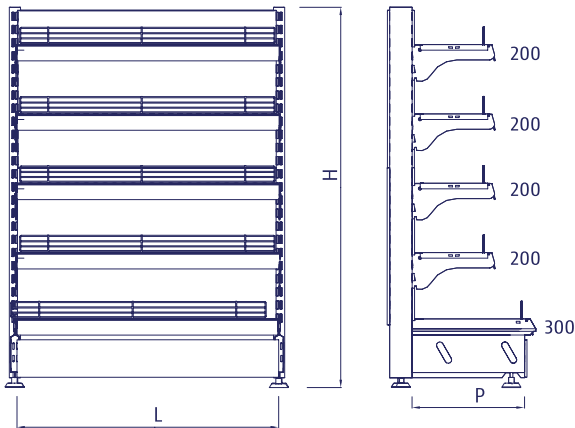
| Code / Right Kod / Sağ | Code / Left Kod / Sol | P | H | L | Description / Açıklama |
|---------------------------|--------------------------|-----|------|-----|------------------------|
| 16.3216 | 16.3226 | 600 | 1280 | 860 | |

CHECK-OUT GONDOLA
KASA ÖNÜ GONDOLU



| Code / Kod | P | H | L | Description / Açıklama |
|------------|-----|------|-----|------------------------|
| 16.6020 | 300 | 1010 | 500 | |
| 16.6021 | 300 | 1220 | 500 | |
| 16.6022 | 300 | 1010 | 700 | |
| 16.6023 | 300 | 1220 | 700 | |

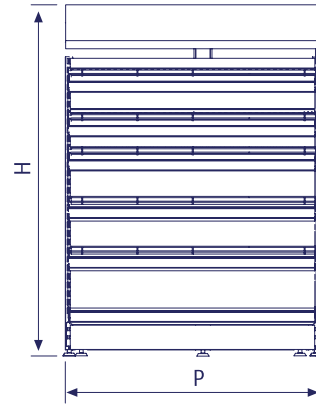
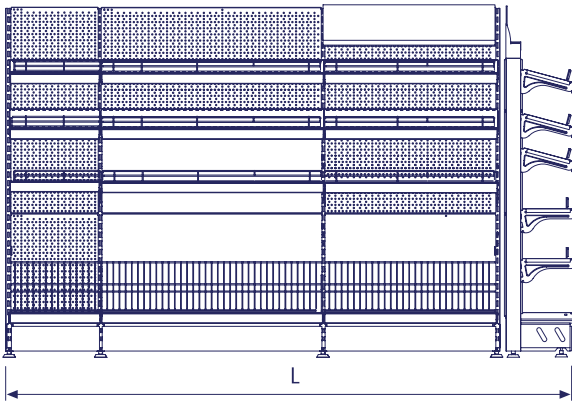
CHECK-OUT GONDOLA
KASA ÖNÜ GONDOLU



| Code / Kod | P | H | L | Description / Açıklama |
|------------|-----|------|-----|------------------------|
| 16.6040 | 300 | 1010 | 500 | |
| 16.6041 | 300 | 1220 | 500 | |
| 16.6042 | 300 | 1010 | 700 | |
| 16.6043 | 300 | 1220 | 700 | |

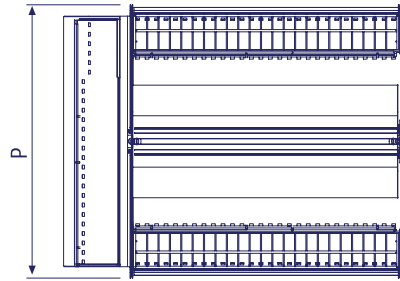
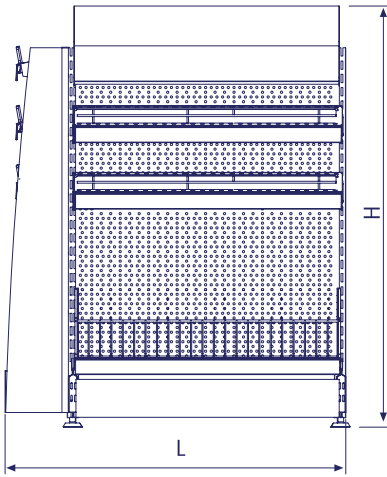
CHECK-OUT
KASAALTI

CHECK-OUT GONDOLA
KASA ÖNÜ GONDOLU



| Code / Kod | P | H | L | Description / Açıklama |
|------------|------|------|------|------------------------|
| 16.6070 | 1000 | 1430 | 2300 | |

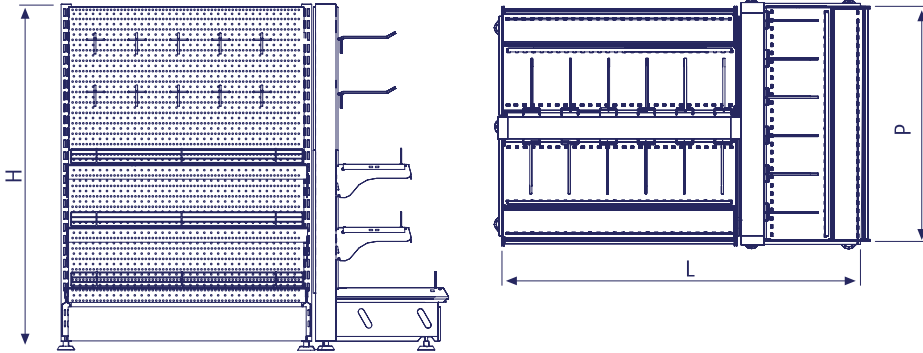
CHECK-OUT GONDOLA
KASA ÖNÜ GONDOLU



| Code / Kod | P | H | L | Description / Açıklama |
|------------|-----|------|-----|------------------------|
| 16.6075 | 700 | 1100 | 900 | |

CHECK-OUT
KASA ALTI

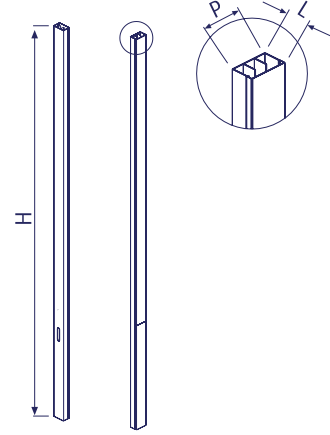
CHECK-OUT GONDOLA
KASA ÖNÜ GONDOLU



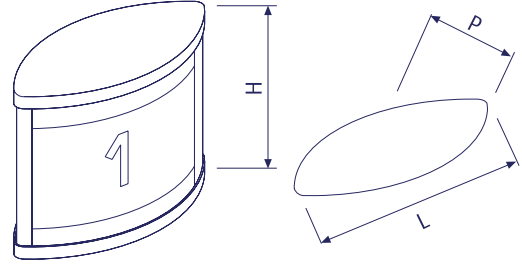
| Code / Kod | P | H | L | Description / Açıklama |
|------------|-----|------|------|------------------------|
| 16.6080 | 700 | 1010 | 1060 | |

LONG POLE FOR CABINET
NUMARATÖR LAMBA DİREĞİ

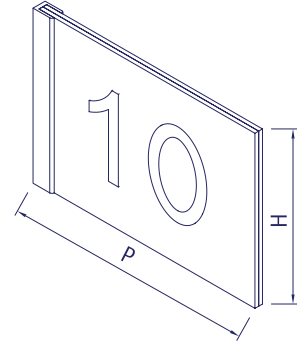
| Code / Kod | P | H | L | Description / Açıklama |
|------------|----|------|----|------------------------|
| 16.001 | 90 | 2400 | 55 | |
| 16.002 | 90 | 2700 | 55 | |
| 16.003 | 90 | 3200 | 55 | |

**FLASHING IDENTIFICATION LAMP OVAL**
NUMARATÖR LAMBA OVAL

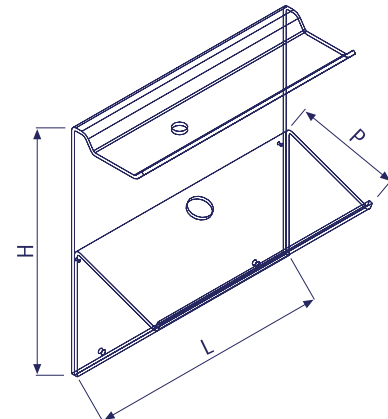
| Code / Kod | P | H | L | Description / Açıklama |
|------------|-----|-----|-----|---|
| 09.015 | 225 | 260 | 350 | Frame is Aluminum Sides: plexi Up and Down: ABS |

**FLASHING IDENTIFICATION LAMP - WITH LED**
NUMARATÖR LAMBA LED IŞIKLI

| Code / Kod | P | H | L | Description / Açıklama |
|------------|-----|-----|---|------------------------|
| 09.020 | 290 | 200 | | |

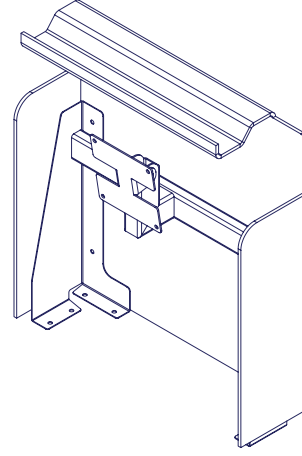
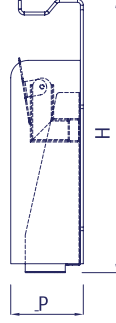
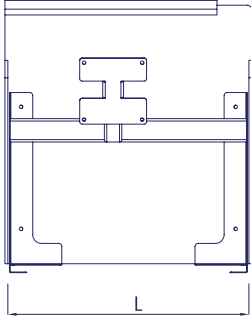
**KEYBOARD HOLDER & SCANNER PROTECTION PLEXY**
KLAVYE TUTUCU & SCANNER KORUYUCU PLEKSİ

| Code / Kod | P | H | L | Description / Açıklama |
|------------|-----|-----|-----|---------------------------------|
| 10.034 | 175 | 465 | 425 | Thickness / Kalınlık: 6 mm 6 mm |



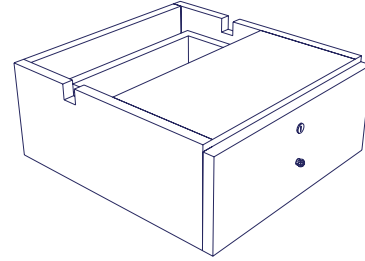
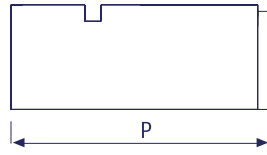
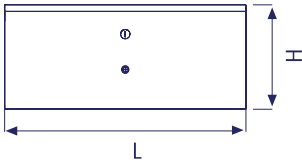
CHECK-OUT KASAALTI

KEYBOARD HOLDER & SCANNER PROTECTION PLEXY TYPE 2 KLAVYE TUTUCU & SCANNER KORUYUCU PLEKSİ TİP 2



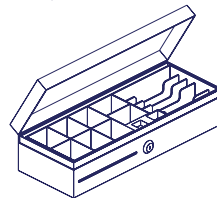
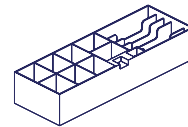
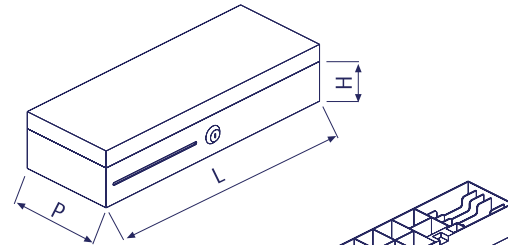
| Code / Kod | P | H | L | Description / Açıklama |
|------------|-----|-----|-----|------------------------|
| 10.044 | 125 | 470 | 415 | |

WOODEN DRAWER FOR CHECK-OUT AHŞAP KASAALTI ÇEKMECESİ



| Code / Kod | P | H | L | Description / Açıklama |
|------------|-----|-----|-----|------------------------|
| 16.3032 | 395 | 155 | 370 | |

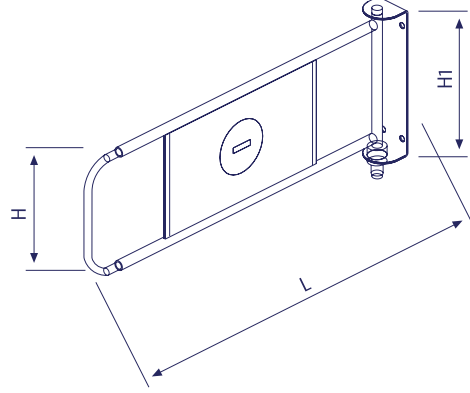
FLIP - LID CASH DRAWER PARA KUTUSU



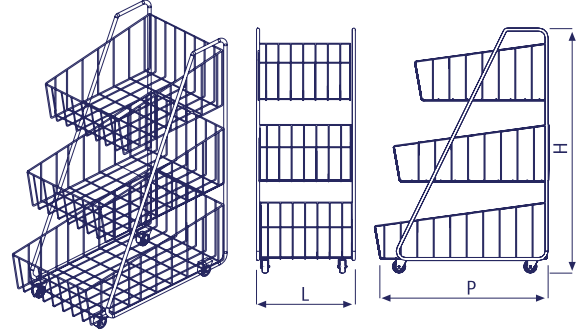
| Code / Kod | P | H | L | Description / Açıklama |
|------------|-----|-----|-----|------------------------|
| 16.3033 | 170 | 120 | 460 | |

CHECK-OUT CLOSURE
KASA KORİDOR KAPISI

| Code / Kod | H | H1 | L | Description / Açıklama |
|------------|-----|-----|-----|--|
| 10.3030 | 210 | 250 | 640 | Length is adjustable up to 840 mm 840 mm'ye kadar uzatılabilir. |

**NYLON BAG CARRIER**
POŞET ARABASI

| Code / Kod | P | H | L | Description / Açıklama |
|------------|-----|-----|-----|------------------------------------|
| 16.0007 | 680 | 600 | 375 | Thinkness : 6 mm / Kalınlık : 6 mm |

**NEXT CUSTOMER BAR**
BİR SONRAKİ MÜŞTERİ AYRACI

| Code / Kod | P | H | L | Description / Açıklama |
|------------|-----|-----|-----|------------------------|
| 16.3060 | 240 | 240 | 350 | Wooden / Ahşap |
| 16.3058 | 250 | 250 | 350 | Aluminum / Alüminyum |

**CASHIER CHAIR**
KAŞİYER SANDALYESİ

| Code / Kod | P | H | L | Description / Açıklama |
|------------|---|---|---|------------------------|
| 16.3040 | | | | |

