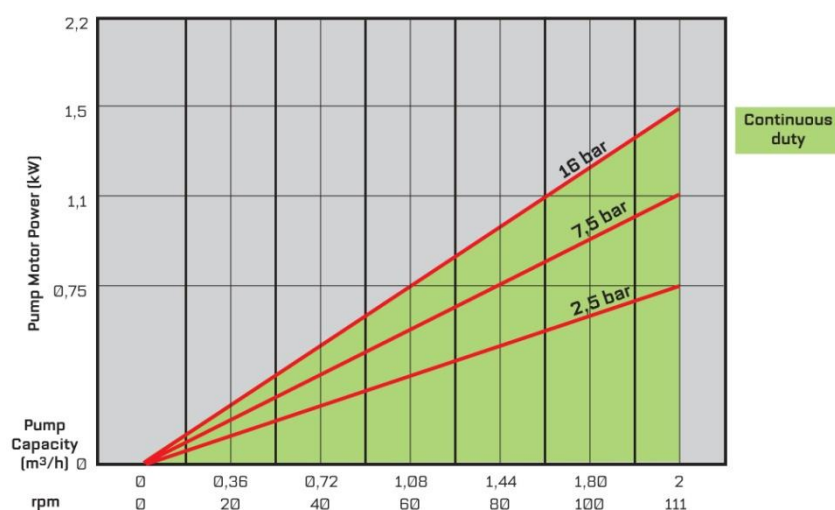


## LPP-D25 Hose Pump

## TECHNICAL DATA SHEET

### FLOW WITH MAXIMUM PRESSURE

LPP-D25 CAPACITY CHART, CONTINUOUS DUTY, UP TO 95°C  
(24 h/day/7 days per week)

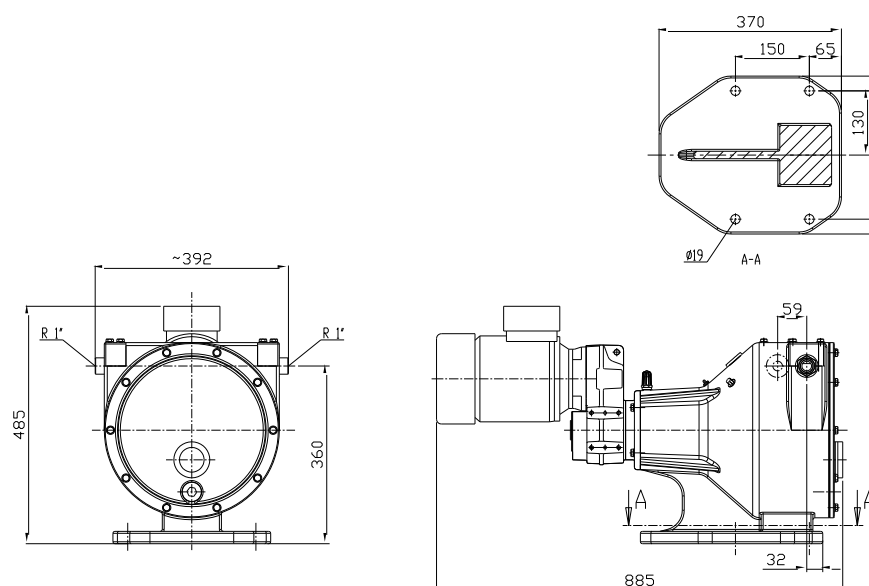


### Technical Data

- Maximum flow: 2,0m<sup>3</sup>/h
- Maximum pressure: 16 bar
- Flow/revolution: 0,3l
- Hose connection: R 1"
- Hose bore: 25 mm
- Lubricant volume: 0,4 l
- Weight: ~60 kg
- Motor power: 0,75-1,5 kW

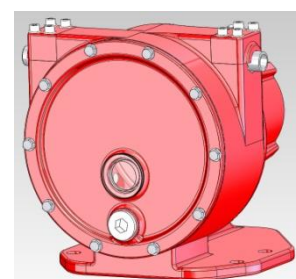
### Construction materials

- Housing: High-strength cast aluminium
  - Crank shaft: Carbon steel
  - Rotor: PU or black nitrated steel
- Hose materials (*colour code*):
- EPDM (*violet*)
  - NR (*light blue*)
  - NBR (*yellow*)
  - NBRF (*white*)



Dimensions (X, Y) vary according to the drive size.

Please consult Flowrox Dy for the exact drive sizing to your application.



## FLOWROX PUMP MODEL NUMBERING

Model	Size (DN)	Drive	Pressure Class (PN)	Connection	Body Material	Drive Control	Auxiliaries
LPP-D = Dosing pump	15 20 25 (mm)	GM = geared motor GU = gear unit BS = bare shaft pump	7,5 BAR 16 BAR	R ½" R ¾" R 1" 9 = other	3 = AL	II = Integrated inverter (IP66) I = Inverter (IP20) N = None	R = Revolution detector D = Hose leak detector F = Forced cooling

**Example:** Pump LPP-D15, geared motor, 16 bar, hose connection R½", without inverter, revolution detector

**Type marking:** LPP-D15GM 16-R½"-3-N-R

## FLOWROX PUMP HOSE MODEL NUMBERING

Hose Type	Hose Material	Pressure Class (PN)	Hose Inner Diameter (mm)
LPP-D = LPP-D pump hose	EPDM = Ethylene propylene NR = Natural rubber NBR = Nitrile NBRF = Nitrile (FDA)	16 BAR	15 20 25

**Example:** LPP-D hose, natural rubber, pressure class 16 bar, hose bore diameter 15 mm

**Type marking:** LPP-D15-NR16

