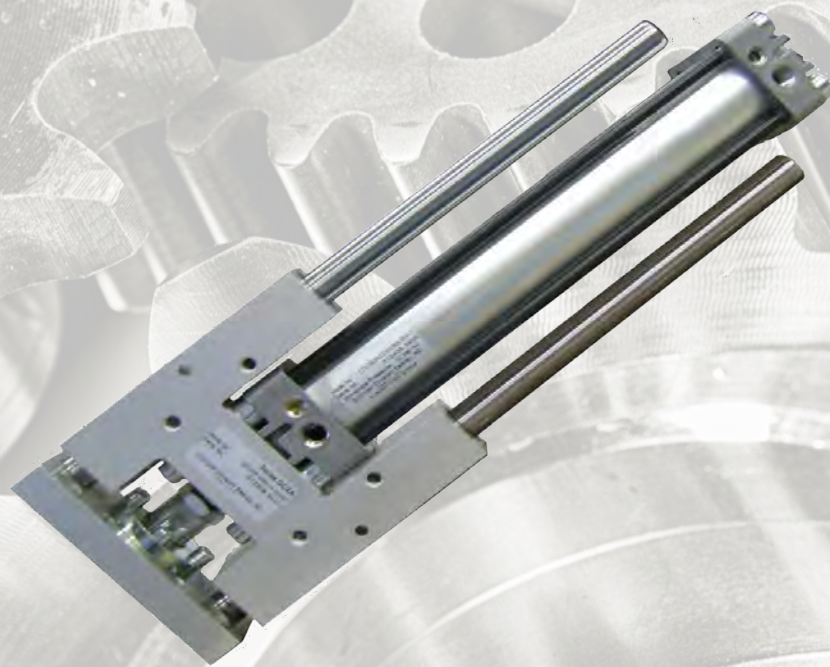


Climax® Pneumatics

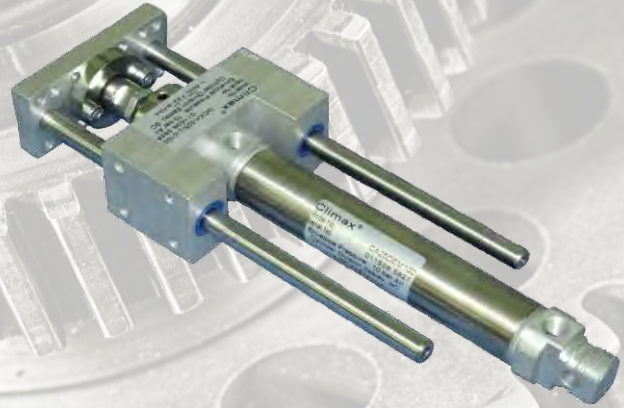


Linear Guide Units

144 Kay Drive Easley, SC 29640

Climax® Guide Units

How to Order Base Models



GCXA 050 M 100

Model

CGXA – Guide Units

Bore

012 – 12 mm
016 – 16 mm
020 – 20 mm
025 – 25 mm
032 – 32 mm
040 – 40 mm
050 – 50 mm
063 – 63 mm
080 – 80 mm
100 – 100 mm

Stroke

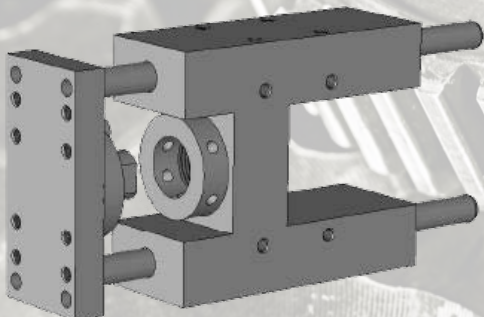
025 – 25 mm
050 – 50 mm
100 – 100 mm
160 – 160 mm
200 – 200 mm
250 – 250 mm
320 – 320 mm
400 – 400 mm
500 – 500 mm
600 – 600 mm

Series

L – L Series - *Bronze Bushing*
M – M Series - *Bronze Bushing*
H – H Series - *Ball Bearings*

Climax® Guide Units

"M" and "H" Series



**Housing &
Front Plate**

Anodized Aluminum

**Coupling &
Screws**

Zinc Steel

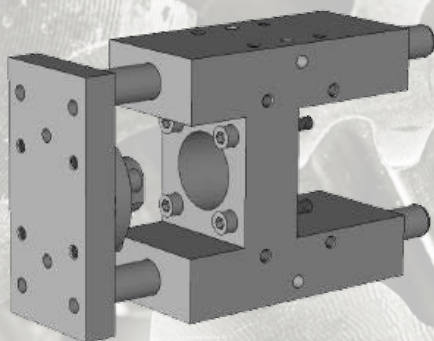
Rods

Ball Bearings

Hardened Steel

Brass Bearings

Chromed Steel



Temperature	<i>from 5°C to 80°C</i>
Max Speed	<i>with Ball Bearings : 2 m/s</i>
Max Speed	<i>with Brass Bearings : 1 m/s</i>

Standard Strokes

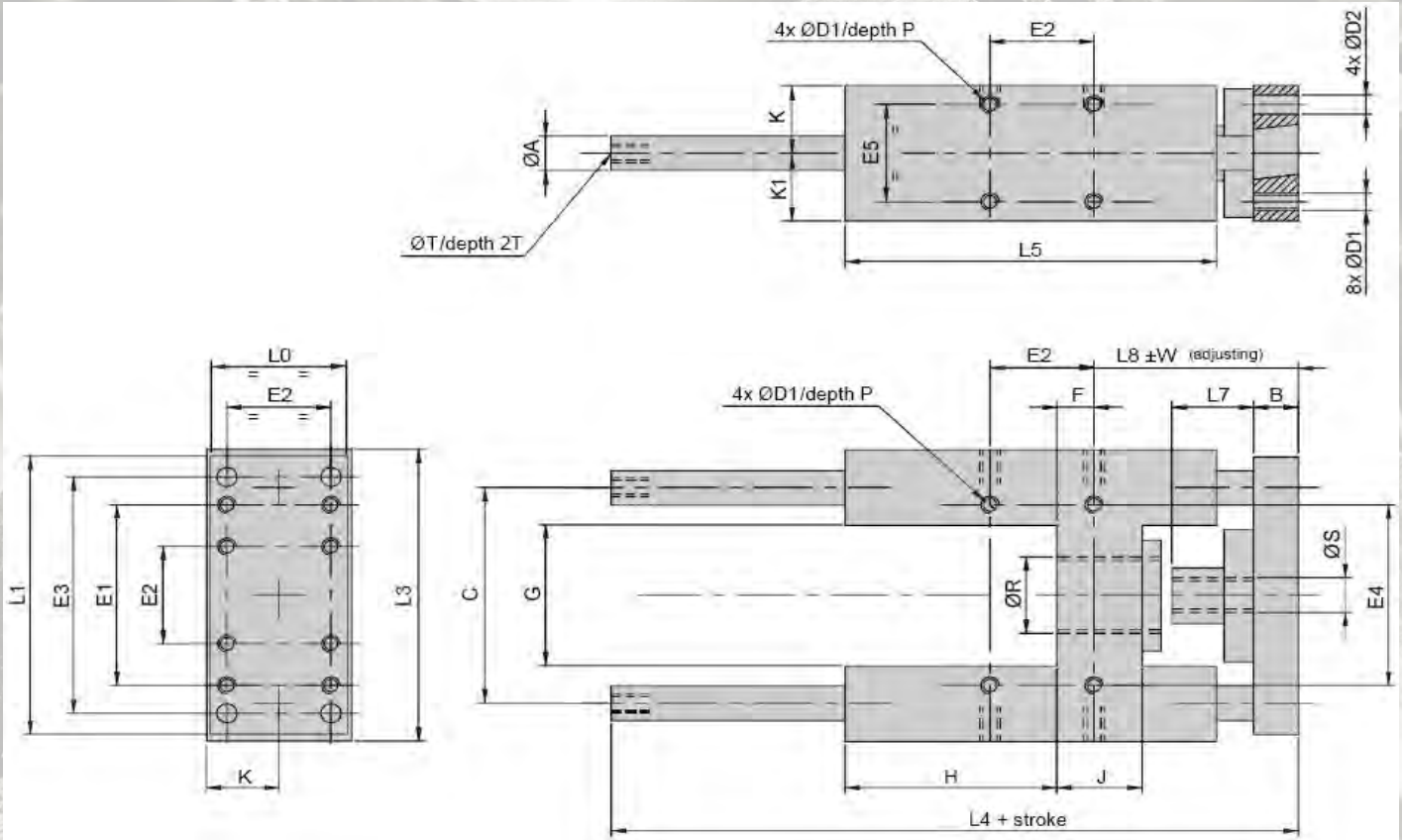
Ø mm	12/16	20	25	32	40	50	63	80	100
25	•	•	•						
50	•	•	•	•	•	•	•	•	•
100	•	•	•	•	•	•	•	•	•
160	•	•	•	•	•	•	•	•	•
200	•	•	•	•	•	•	•	•	•
250	•	•	•	•	•	•	•	•	•
320				•	•	•	•	•	•
400				•	•	•	•	•	•
500				•	•	•	•	•	•
600				•	•	•	•	•	•

Non-Standard Strokes available upon request

144 Kay Drive Easley, SC 29640

Climax® Guide Units

"M" and "H" Series - $\varnothing 12$ to $\varnothing 25$ for ISO 6432 cylinders



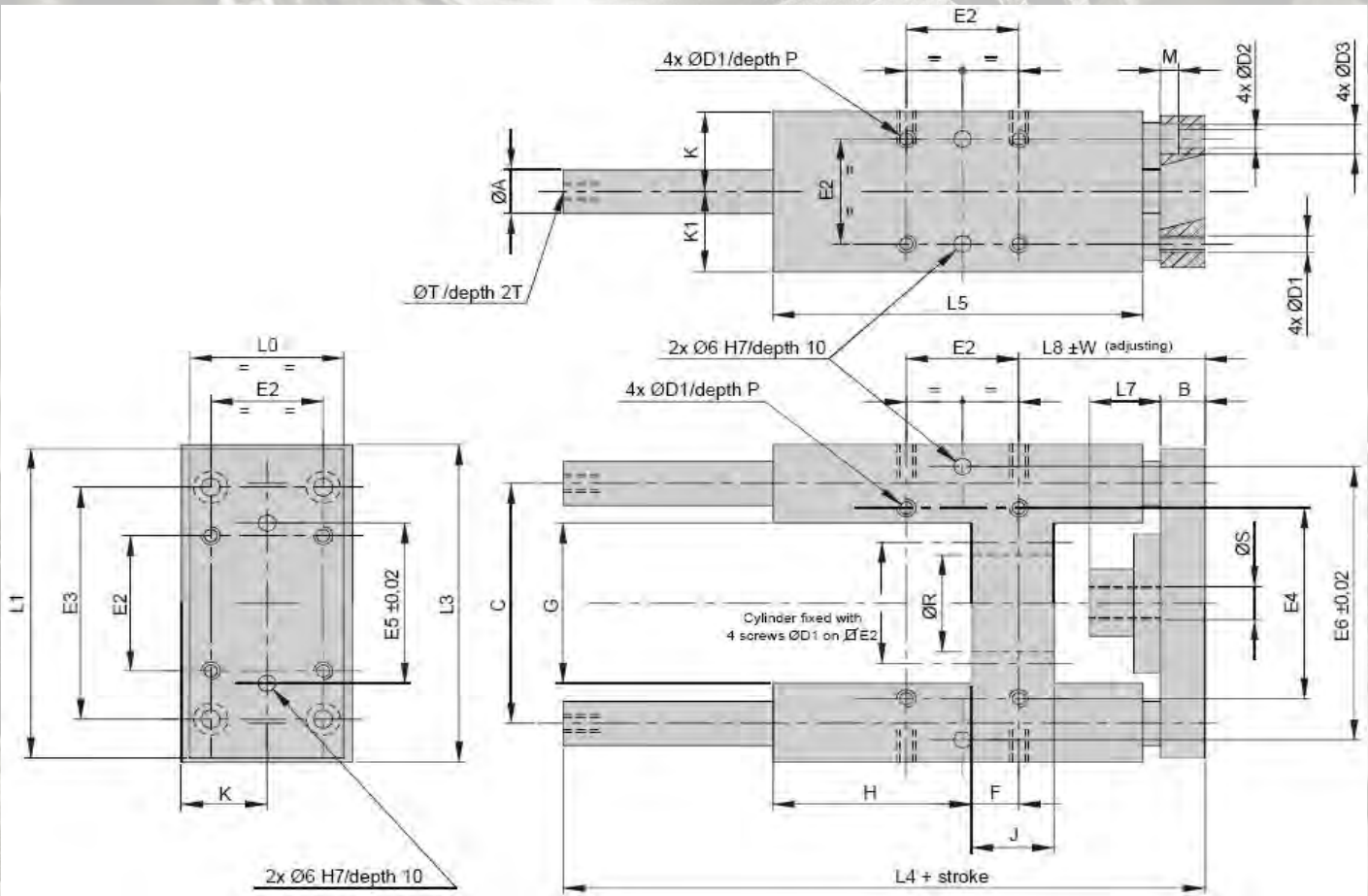
$\varnothing \text{mm}$	$\varnothing A$	B	C	$\varnothing D1$	$\varnothing D2$	E1	E2	E3	E4	E5	F	G
12/16	10	9.6	47	M4	4.5	32	18	58	32	22	8	25
20	10	11	62	M5	5.5	52	28	68	52	28	10	40.5
25	10	11	62	M5	5.5	52	28	68	52	28	10	40.5

$\varnothing \text{mm}$	H	J	K	K1	L0	L1	L3	L4	L5	L7	L8	P
12/16	31	19	15	14	28	66	69	84	60	9	38	8
20	57	23	20	19	38	80	84	135	100	22	55	10
25	57	23	20	19	38	80	84	135	100	22	55	10

$\varnothing \text{mm}$	$\varnothing R$	$\varnothing S$	$\varnothing T$	W
12/16	M16x1.5	M6	M5	1.5
20	M22x1.5	M8	M5	1.5
25	M22x1.5	M10x1.25	M5	1.5

Climax® Guide Units

"M" and "H" Series - $\varnothing 32$ to $\varnothing 100$ for ISO 6431 cylinders



ømm	øA	B	C	øD1	øD2	øD3	E2	E3	E4	E5	E6	F
32	12	11	74	M6	6.6	11	32.5	78	61	50	81	4
40	16	15	87	M6	6.6	11	38	84	69	54	99	18
50	20	19	104	M8	9	15	46.5	100	85	72	119	24
63	20	19	119	M8	9	15	56.5	105	100	82	132	20
80	25	22	148	M10	11	18	72	130	130	106	166	25
100	25	22	173	M10	11	18	89	150	150	131	190	30

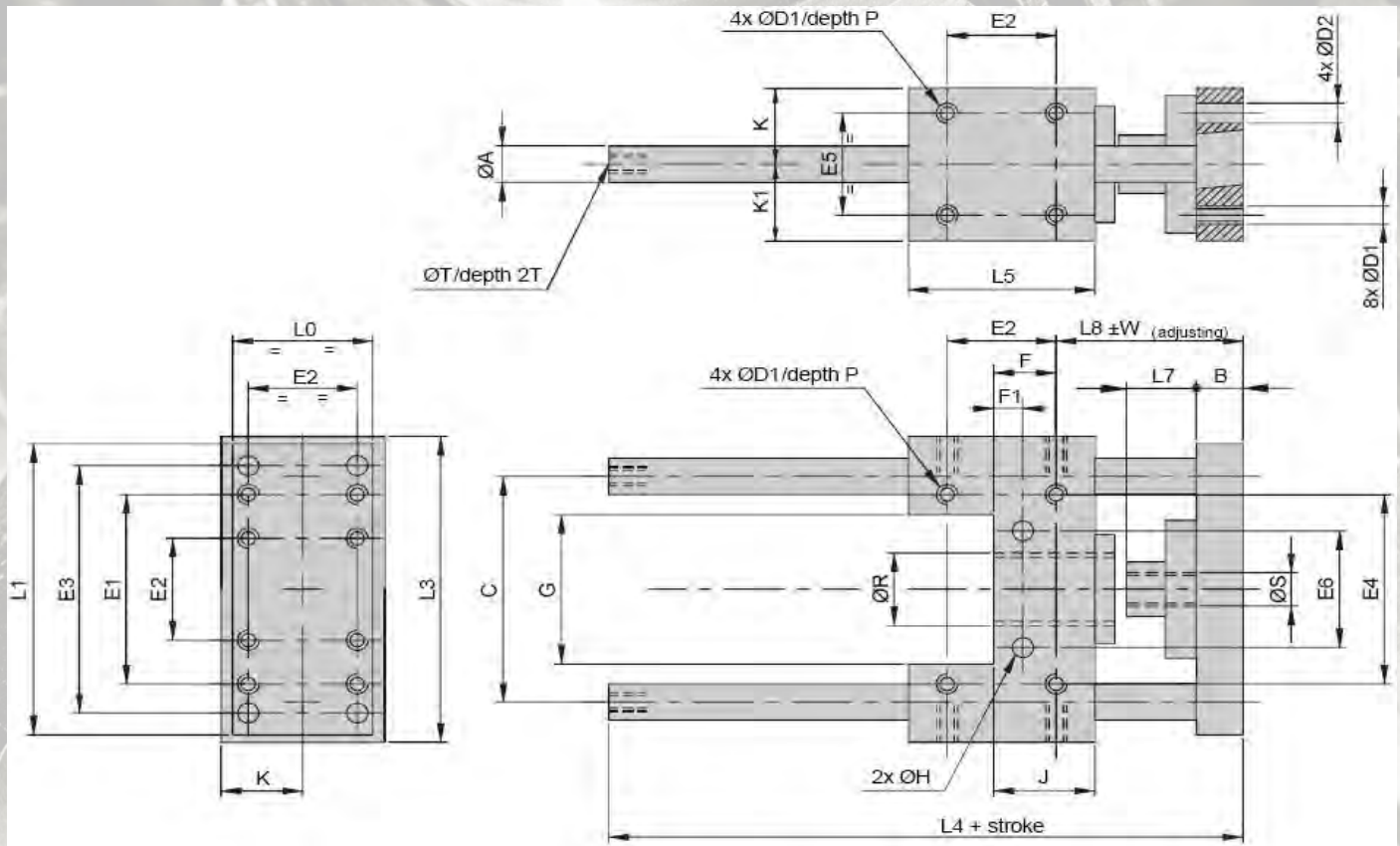
ømm	G	H	J	K	K1	L0	L1	L3	L4	L5	L7	L8
32	50.2	73	27	25	24	45	92	97	147	120	22	62.25
40	58	65	30	29	29	55	112	115	167	125	28	66
50	70	70	40	35	34	68	134	137	195	140	28	73.75
63	86	90	40	42.5	42.5	80	148	152	195	160	28	77.75
80	106	111	45	52.5	52.5	100	180	189	251	195	35	94
100	130	115	45	65	64	120	206	213	251	205	35	96

ømm	M	P	øR	øS	øT	W
32	6.5	12	30	M10x1.25	M6	2.5
40	6.5	12	35	M12x1.25	M6	3
50	9	16	40	M16x1.5	M8	4
63	9	16	45	M16x1.5	M8	4
80	11	20	45	M20x1.5	M10	5
100	11	20	55	M20x1.5	M10	5

144 Kay Drive Easley, SC 29640

Climax® Guide Units

"L" Series - $\phi 12$ to $\phi 25$ for ISO 6432 cylinders



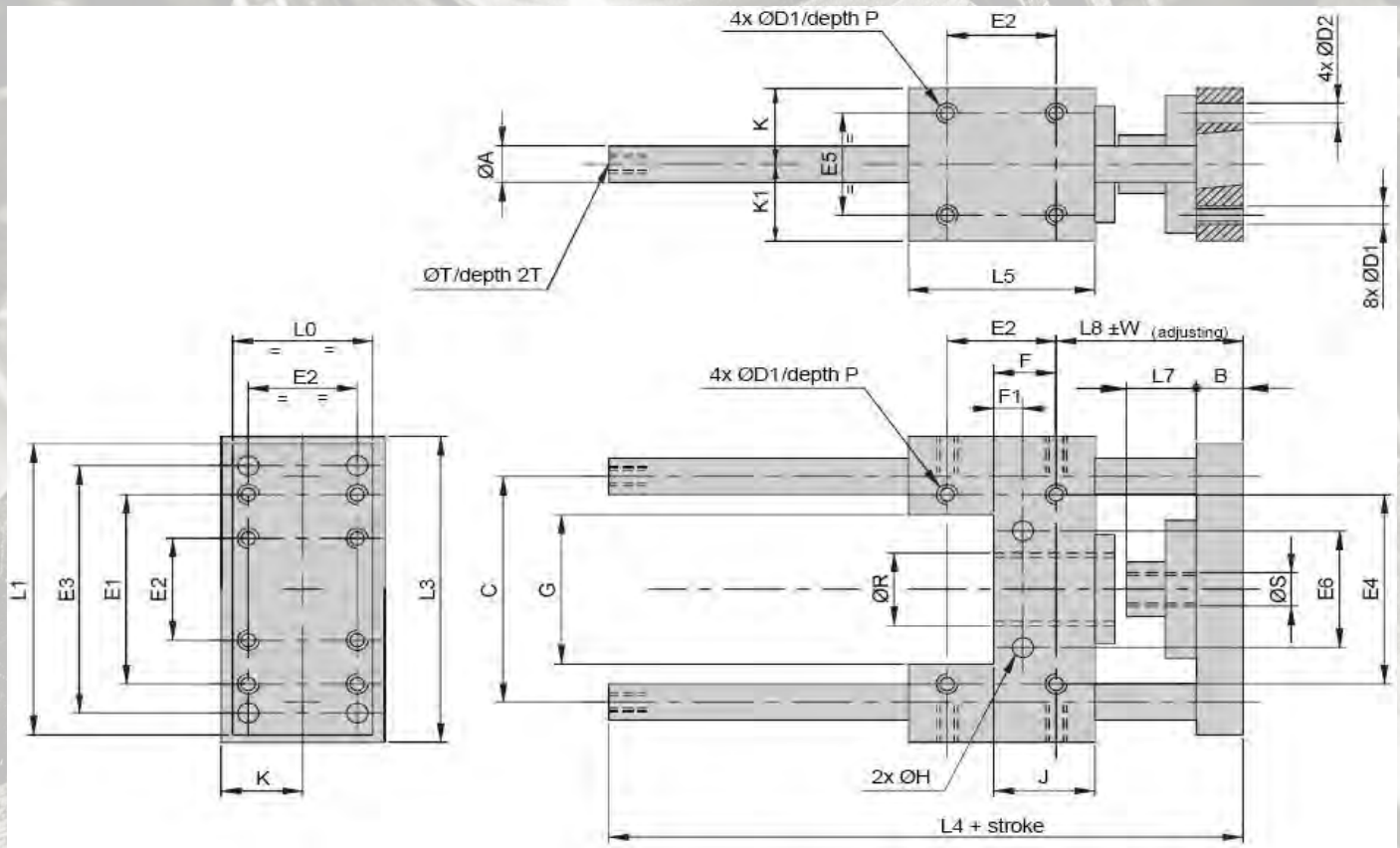
ϕ mm	ϕA	B	C	$\phi D1$	$\phi D2$	E1	E2	E3	E4	E5	E6	F
12/16	10	9.6	47	M4	4.5	32	18	58	-	22	22	13.5
20	10	11	62	M5	5.5	52	28	68	52	28	-	16
25	10	11	62	M5	5.5	52	28	68	52	28	-	16

ϕ mm	F1	G	H	J	K	K1	L0	L1	L3	L4	L5	L7
12/16	4	25	5.5	19	15	15	28	66	69	59	29	9
20	-	41	-	26	21	21	38	80	84	110	48	22
25	-	41	-	26	21	21	38	80	84	110	48	22

ϕ mm	L8	P	ϕR	ϕS	ϕT	W
12/16	32.5	8	M16x1.5	M6	M5	1.5
20	48	10	M22x1.5	M8	M5	1.5
25	48	10	M22x1.5	M10x1.25	M5	1.5

Climax® Guide Units

"L" Series - $\varnothing 12$ to $\varnothing 25$ for ISO 6432 cylinders



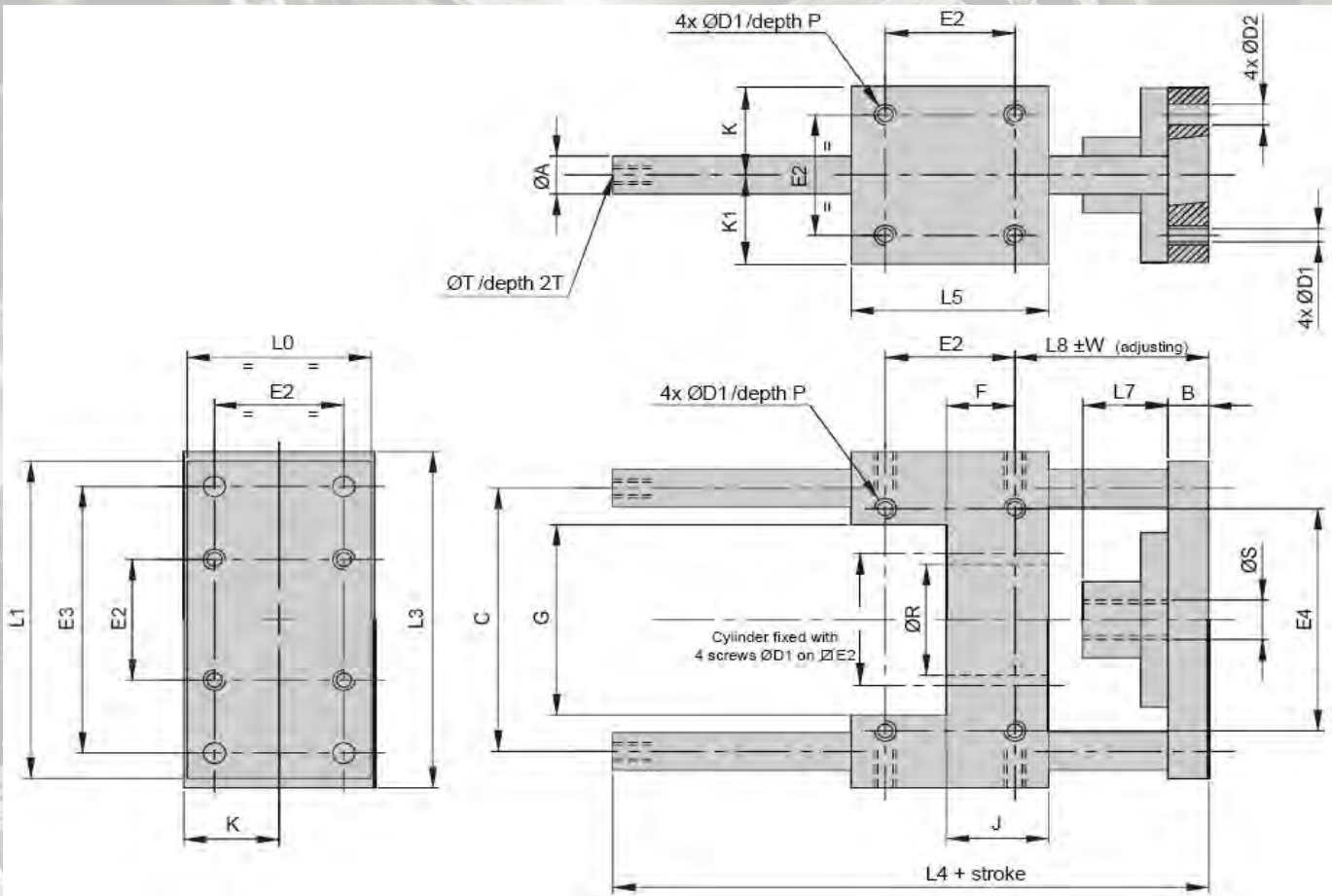
ømm	øA	B	C	øD1	øD2	E1	E2	E3	E4	E5	E6	F
12/16	10	9.6	47	M4	4.5	32	18	58	-	22	22	13.5
20	10	11	62	M5	5.5	52	28	68	52	28	-	16
25	10	11	62	M5	5.5	52	28	68	52	28	-	16

ømm	F1	G	H	J	K	K1	L0	L1	L3	L4	L5	L7
12/16	4	25	5.5	19	15	15	28	66	69	59	29	9
20	-	41	-	26	21	21	38	80	84	110	48	22
25	-	41	-	26	21	21	38	80	84	110	48	22

ømm	L8	P	øR	øS	øT	W
12/16	32.5	8	M16x1.5	M6	M5	1.5
20	48	10	M22x1.5	M8	M5	1.5
25	48	10	M22x1.5	M10x1.25	M5	1.5

Climax® Guide Units

"L" Series - $\varnothing 32$ to $\varnothing 100$ for ISO 6431 cylinders



\varnothing mm	\varnothing A	B	C	\varnothing D1	\varnothing D2	E2	E3	E4	F	G	J	K
32	10	11	74	M6	6.6	32.5	78	61	18.2	52	26	24
40	12	11	83	M6	6.6	38	84	70	20	60	30	28
50	12	15	96	M8	9	46.5	100	84	33.7	71	40	33
63	12	15	109	M8	9	56.5	105	98	30.2	86	40	38
80	16	15	135	M10	11	72	130	130	36	105	45	49
100	16	15	156	M10	11	89	150	150	34.5	128	45	59

\varnothing mm	K1	L0	L1	L3	L4	L5	L7	L8	P	\varnothing R	\varnothing S	\varnothing T
32	24	45	92	100	113	48	22	46	12	30	M10x1.25	M5
40	28	55	100	106	125	58	28	57	12	35	M12x1.25	M6
50	33	64	120	125	129	59	28	56	16	40	M16x1.5	M6
63	38	74	126	132	154	76	28	60	16	45	M16x1.5	M6
80	49	94	160	165	172	90	35	71	20	45	M20x1.5	M6
100	59	110	180	185	222	110	35	80	20	55	M20x1.5	M6

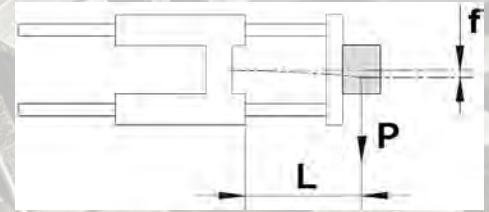
\varnothing mm	W											
32	2.5											
40	3											
50	3											
63	3											
80	4											
100	4											

144 Kay Drive Easley, SC 29640

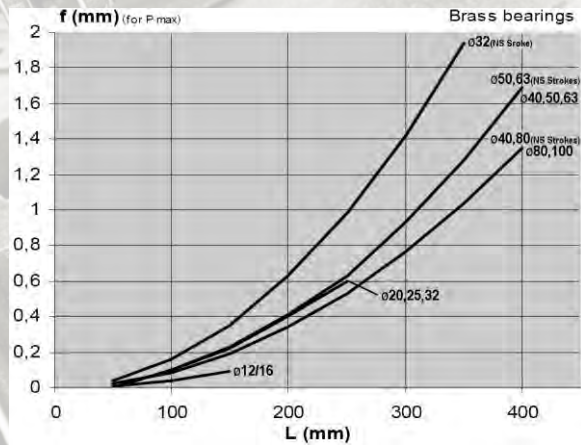
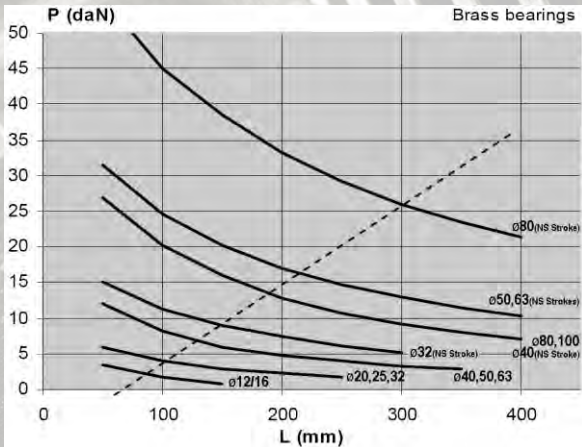
Climax® Guide Units

Load Diagrams

On Dynamic, for departing loads and long strokes (under the dotted line), it's preferable to choose a ball bearing unit, otherwise divide the load by 4.



"H" Series



"L" and "M" Series

