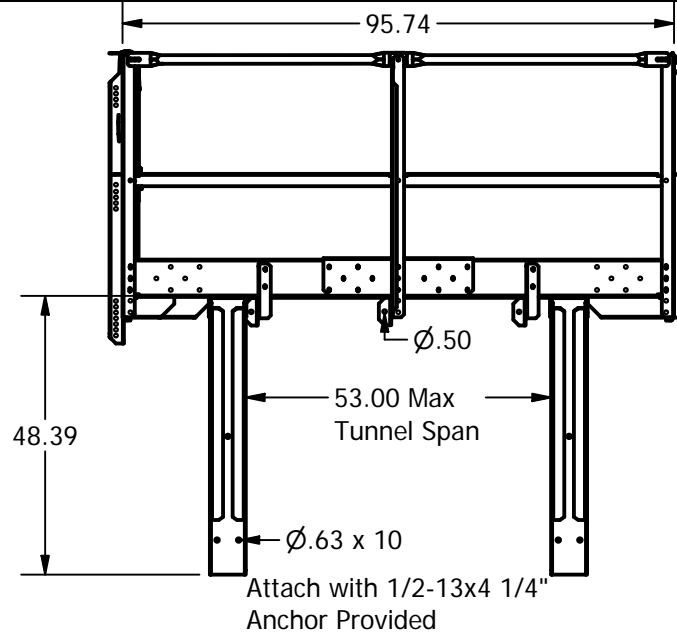
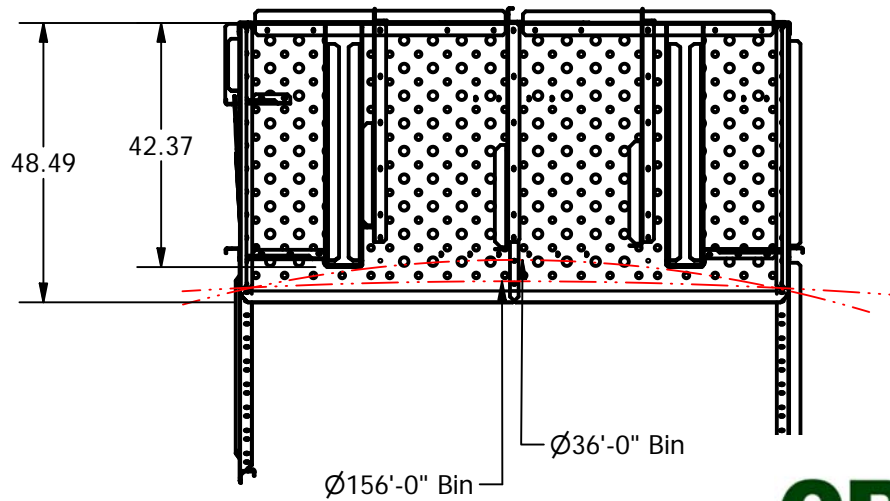
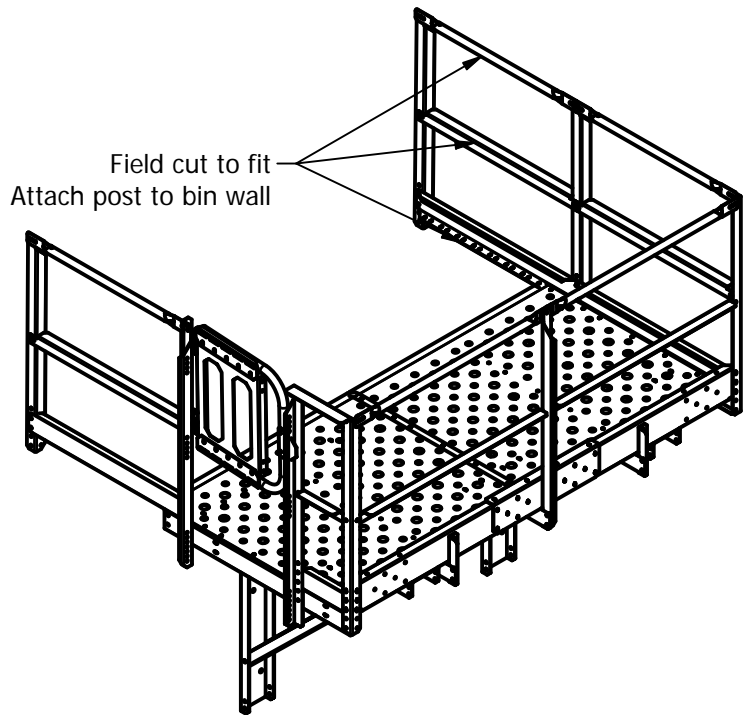


Concrete Stem Wall



Attach with 1/2-13x4 1/4" Anchor Provided



A-Series Straight Up
Variable Pitch Stair Available

Extra Entry Package Also Available

| | | | |
|---------------------|-----------|--------------------------|------------------|
| DRAWN Mike Adams | 6/14/2015 | Greene Galvanized Stairs | |
| CHECKED | | TITLE | |
| QA | | REV | |
| MFG | | SIZE A | DWG NO AFD002 |
| APPROVED | | SCALE | SHEET 1 OF 2 |

PARTS LIST

| ITEM | QTY | PART NUMBER | DESCRIPTION |
|------|-----|---------------------------|----------------------------|
| 1 | 1 | ASG100 | A-Series Self Closing Gate |
| 2 | 2 | AFD-0001 deck | Deck |
| 3 | 3 | AFD-0002 Brace | Deck Brace |
| 4 | 2 | AFD-0003 end flange | End Support |
| 5 | 2 | AFD-0004 Side flange | Side Flange |
| 6 | 2 | AFD-0005 short post | Short Post |
| 7 | 2 | AFD-0006 Post | Corner Post |
| 8 | 3 | AFD-0007 brace anchor | Deck Brace Anchor |
| 9 | 1 | AFD-0008 left entry post | Left Entry Post |
| 10 | 1 | AFD-0009 Entry right Post | Right Entry Post |
| 11 | 1 | AFD-0010 side brace | Side Brace |
| 12 | 3 | AFD-0011 end midrail | End Mid Rail |
| 13 | 3 | AFD-0012 end kickboard | End Kick Board |
| 14 | 1 | AFD-0013 entry brace | Entry Brace |
| 15 | 2 | AFD-0014 post brace | Post Brace |
| 16 | 4 | AFD-0016 Post | Post |
| 17 | 1 | AFD-0017 entry kickboard | Entry Kickboard |
| 18 | 2 | AFD-0021 side midrail | Side Mid Rail |
| 19 | 3 | AFD-0022 end handrail | 1.5" End Handrail |
| 20 | 2 | AFD-0023 side handrail | 1.5" Side Handrail |
| 21 | 1 | AFD-0024 entry midrail | Entry Mid Rail |
| 22 | 1 | AFD-0025 Entry Handrail | |
| 23 | 2 | Foundation Deck Mount | Mounting Frame |
| 19.1 | 1 | DD-011 Mount Base | Mount Base |
| 19.2 | 1 | DD-012 mount top | Mount Top |
| 19.3 | 2 | DD-013 mount brace | Mount Brace |



| | | | |
|---------------------|-----------|--------------------------|------------------|
| DRAWN Mike Adams | 6/14/2015 | Greene Galvanized Stairs | |
| CHECKED | | | |
| QA | | TITLE | |
| MFG | | | |
| APPROVED | | | |
| | | SIZE A | DWG NO AFD002 |
| | | SCALE | REV |
| | | SHEET 2 OF 2 | |