



1. History of Company

Family owned and operated, Evans Cabinet Corporation has specialized in kitchen and bath cabinetry since 1957. WE provide all wood cabinetry built to your specifications for multifamily and government housing market. Our name is synonymous with solid construction, built to withstand either severe use or daily family routines. Evans' 65 year tradition of excellence and quality has been built on flexibility and adaptability to meet our customer's needs through unquestionable service and support. If you are a general contractor or housing authority, contact us with your plans and specifications.

2. Warranty

Evans Cabinet Corporation warrants that the good sold hereunder shall be free from defects in material and workmanship under normal use and service. If any goods are found to be defective prior to installation and not in excess of one year from delivery date, they shall be replaced by new articles or parts thereof. No labor costs or other consequential damage will be allowed.

3. Pre – Production Requirements

Prior to any manufacturing operations for new contracts, we require a credit application and credit department approval on contract jobs.

Evans ships in full or less than truck load volume with freight included in our pricing (unless otherwise specified).

4. Specifications

We specialize in Oak Poplar and Birch hardwoods. Evans builds all cabinetry in standard three inch increments which facilitates more uniform quality and design as well as faster production. If your needs run outside the standard, simply ask and we will accommodate in manner possible. Door styles include square raised panel, arched (cathedral), raised panel, recessed panel and slab door construction. A twelve step finish process is incorporated in our finishing process. It is as follows:

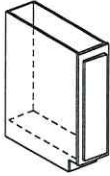
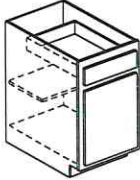
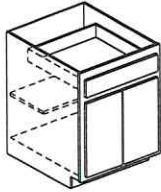
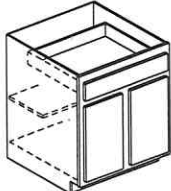
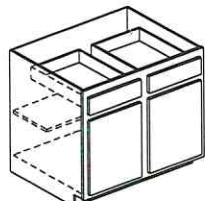
1. Hand select the finest hardwood
2. Manual hand sanding line for a smooth consistent finish and cross grain elimination
3. Dust particles removed and quality inspected
4. Pigment or dye stain is spray applied to add depth and clarity.
5. The surface is air dried
6. A durable pre catalyzed sealer coat is then applied
7. The surface is air or oven dried depending on conditions.
8. Hand sanding follows with fine grit sandpaper by 3-5 highly trained technicians.
9. Dust particles are removed and quality inspected.
10. A catalyzed conversion varnish top coat is applied and oven cured.
11. Finished wood products are sorted and assembled.
12. Final inspection and preparation for shipment.

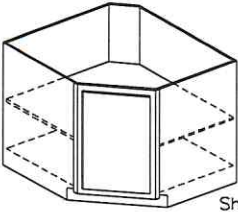
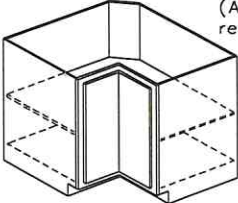
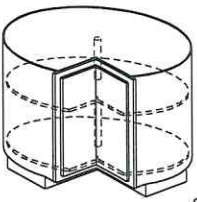
Remember however that due to the inherent variations in wood species and grains from one tree to the next, each cabinet from door to frame to ends may, and usually, have variations that cannot be controlled in the production phase. We have listed in Appendix C of this catalog all our cabinet lines by specifications, these may be altered to fit your needs.

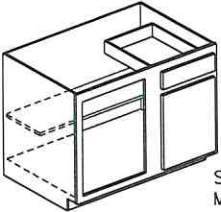
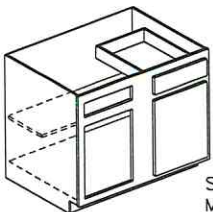
Prices will vary with changes to our standard lines, material costs, lead times required and non – standard construction sizes. Standard cabinet sizes are as follows and can be seen in Appendix A: Base Cabinet 24” deep and 34 ½” tall, vanity cabinet 21” deep and 30” tall, Upper cabinets 12” deep with a varying height, Broom/Pantry cabinets variable depth and 84” 90” or 96” tall. Specialty cabinets are available in our standard catalog.

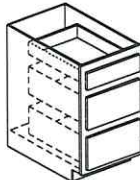
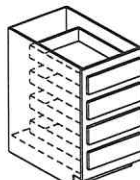
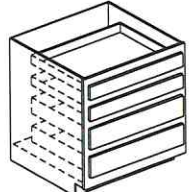
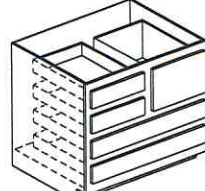
Cabinets are constructed of all wood with NO particle board, unless otherwise specified. Cathedral doors on upper cabinets must be specified left or right. 9” Door width not available in Cathedral Style.

Base Cabinets

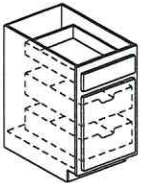
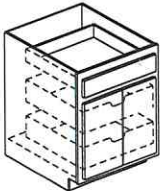
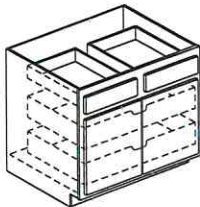
Bases	Code
 <p>Specify Hinged L/R</p>	TB9
 <p>Specify Hinged L/R</p>	B12 B15 B18 B21 B24
	B242
	B27
	B30 B33 B36 B39 B42 B45 B48

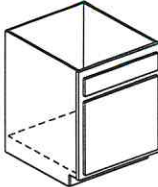
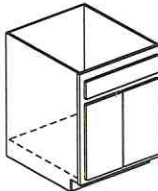
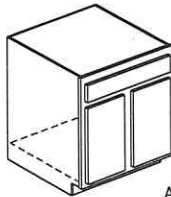
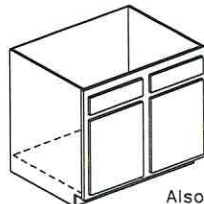
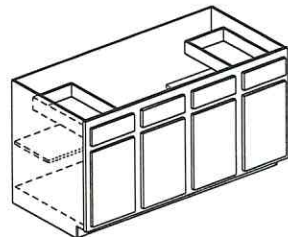
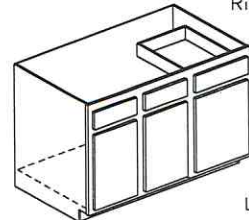
Corner Bases	Code
 <p>Shipped with 1 removeable shelf (Also available w/ revolving shelf)</p>	BCD3636 BCD3636RS
	BC363690 BC363690RS
 <p>Lazy Susan</p> <p>See Appendix A3</p>	LSCB36

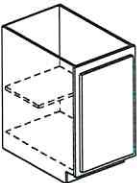
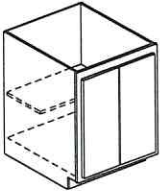
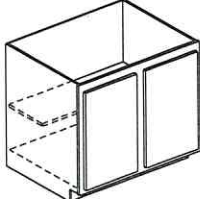
Blind Corner Bases	Code
 <p>Specify Blind L/R Max. Pull: 3"</p> <p>BCB54 & 60 has Pair of Doors w/ center mullion</p>	BCB36 BCB42 BCB48 BCB54 BCB60
 <p>Reversible</p> <p>Specify Blind L/R Max. Pull: 4"</p> <p>See Appendix A2 for Cabinet Details.</p>	RBCB3627 RBCB3933 RBCB4239 RBCB4545

Drawer Bases	Code
 <p>3 Drawer Base</p>	DB123 DB153 DB183 DB213 DB243 DB303
 <p>4 Drawer Base</p>	DB124 DB154 DB184 DB214 DB244
 <p>Linen Drawer Base</p>	LDB30 LDB33 LDB36
 <p>Pantry Drawer Base</p>	PDB30 PDB33 PDB36

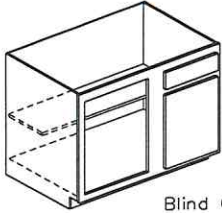
Base Cabinets




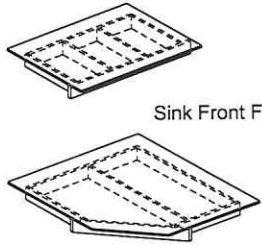
Roll Out Shelf Bases	Code
 <p>Specify Hinge L/R</p>	ROSB15 ROSB18 ROSB21 ROSB24
	ROSB242 ROSB27
	ROSB30 ROSB33 ROSB36

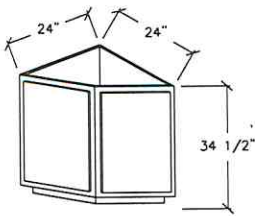
Sink Bases	Code
 <p>Specify Hinge L/R Also available with full height door</p>	SB24
 <p>Also available with full height doors</p>	SB242
 <p>Also available with full height doors</p>	SB27
 <p>Also available with full height doors</p>	SB30 SB33 SB36 SB39 SB42 SB45 SB48
	SB54 SB60 SB66 SB72
 <p>Right Hand Sink</p> <p>Left Hand Sink</p>	BSB42 BSB48 BSB54 BSB60 SBB42 SBB48 SBB54 SBB60

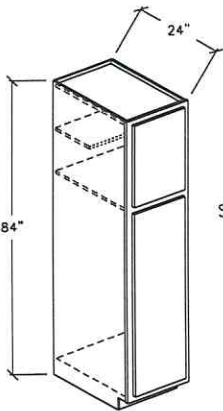
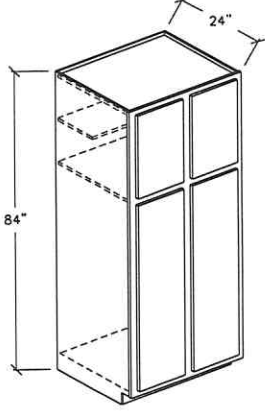
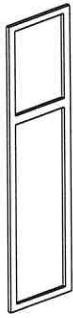
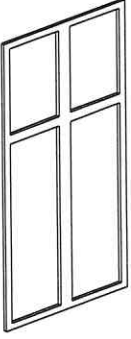
Bases, Full Height Door	Code
 <p>Specify Hinged L/R</p>	B12FH B15FH B18FH B21FH B24FH
	B242FH
	B27FH B30FH B33FH B36FH B39FH B42FH B45FH B48FH

Base Cabinets

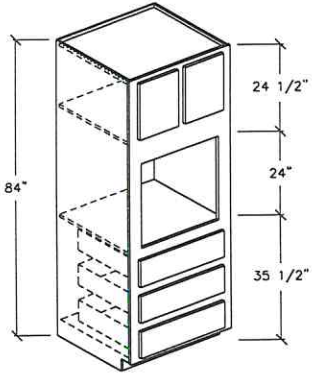
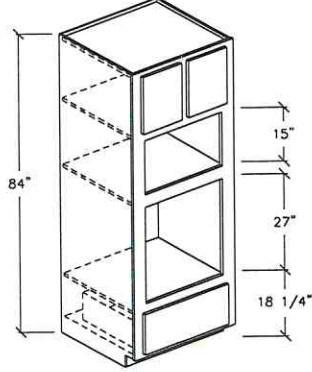
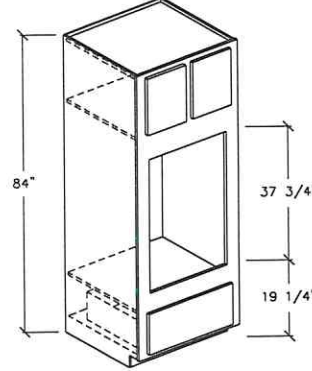
Sink Bases	Code
 <p>Blind Corner Sink Base Specify Blind L/R Max. Pull: 3"</p>	<p>BCSB54 BCSB60 BCSB66 BCSB72</p>

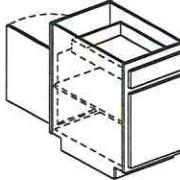
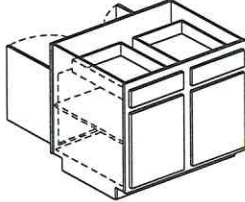
Sink Fronts	Code
	SF24
	<p>SF30 SF36 SF42 SF48</p>
 <p>Diagonal Sink Front</p>	<p>DSF3636 DSF3939 DSF4242</p>
 <p>Sink Front Floors</p>	<p>SFF30 SFF36 SFF42 SFF48</p> <p>DSFF3636 DSFF3939 DSFF4242</p>

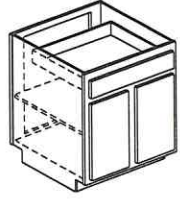
Angle End Base	Code
	AEB

Broom Cabinets	Code
 <p>Specify Hinge L/R</p> <p>Broom Closets also Available 12", 15", 18", 21" deep.</p>	<p>BRM128424 BRM158424 BRM188424 BRM218424 BRM248424</p>
 <p>Broom Closets also Available 96" high. (with separate toe kick)</p>	<p>BRM278424 BRM308424 BRM338424 BRM368424</p>
 <p>BRM/Linen Fronts</p>	<p>BRMFR12 BRMFR15 BRMFR18 BRMFR21 BRMFR24</p>
	<p>BRMFR27 BRMFR30 BRMFR33 BRMFR36</p>

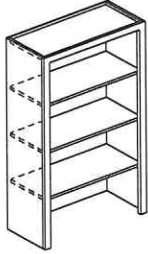
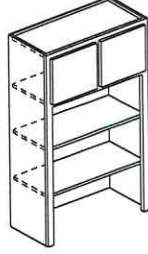
Base Cabinets

Oven Cabinets	Code
 <p>84" (Total Height)</p> <p>24 1/2" (Upper Section)</p> <p>24" (Oven Section)</p> <p>35 1/2" (Lower Section)</p> <p>Universal</p> <p>Oven Cabinets also Available 96" high.</p>	<p>O272484U</p> <p>O302484U</p> <p>O332484U</p>
 <p>84" (Total Height)</p> <p>15" (Microwave Section)</p> <p>27" (Oven Section)</p> <p>18 1/4" (Lower Section)</p> <p>Single Oven with Microwave</p>	<p>O272484MW</p> <p>O302484MW</p> <p>O332484MW</p>
 <p>84" (Total Height)</p> <p>37 3/4" (Upper Section)</p> <p>19 1/4" (Lower Section)</p> <p>Double Oven</p> <p>Oven Cabinet Cut-Out Widths:</p> <p>27" Cabinet - 20 1/2" min. 25" max</p> <p>30" Cabinet - 23 1/2" min. 28" max</p> <p>33" Cabinet - 26 1/2" min. 31" max</p>	<p>O272484D</p> <p>O302484D</p> <p>O332484D</p>

Peninsula Bases	Code
 <p>Specify Hinge L/R</p>	<p>PB12</p> <p>PB15</p> <p>PB18</p> <p>PB21</p> <p>PB24</p>
	<p>PB27</p> <p>PB30</p> <p>PB33</p> <p>PB36</p>

Island Base Corner Cabinet	Code
 <p>See Appendix A4 for Cabinet Details.</p>	<p>IBCB27</p>

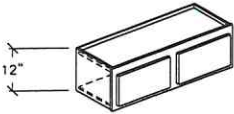
Library Shelves


Library Shelves	Code
	<p>LS301248</p> <p>LS301254</p> <p>LS301260</p> <p>LS301266</p>
	<p>LS301248C</p> <p>LS301254C</p> <p>LS301260C</p> <p>LS301266C</p>

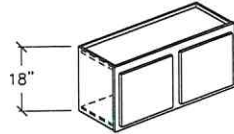
All Wall Cabinets are 12" deep unless otherwise noted.

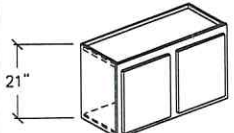
Upper Cabinets

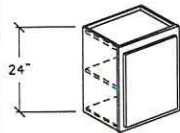
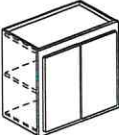
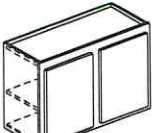
Single door upper cabinets are invertible for left or right hinging, except for Cathedral doors.

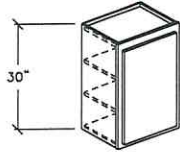
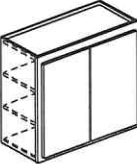
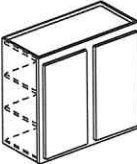
Upper - 12" High	Code
	W3012 W3312 W3612 W3912

Upper - 15" High	Code
	W3015 W3315 W3615 W3915

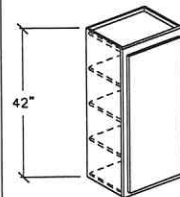
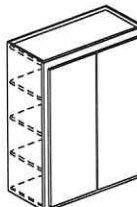
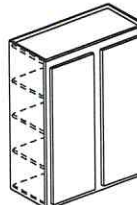
Upper - 18" High	Code
	W3018 W3318 W3618 W3918 W4218

Upper - 21" High	Code
	W3021 W3321 W3621 W3921 W4221

Upper - 24" High	Code
	W1824 W2424
	W24242
	W3024 W3324 W3624 W3924 W4224

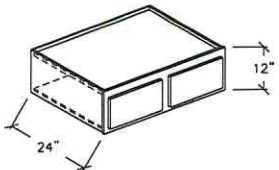
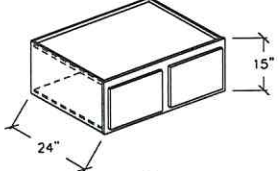
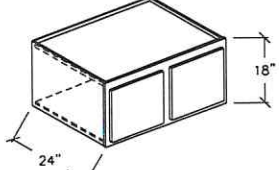
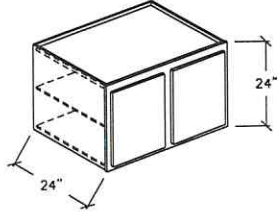
Upper - 30" High	Code
	W930 W1230 W1530 W1830 W2130 W2430
	W24302
	W2730 W3030 W3330 W3630 W3930 W4230 W4830

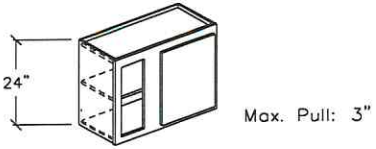
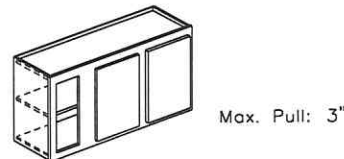
Also available in 36" Height

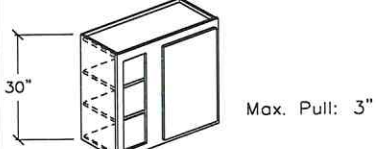
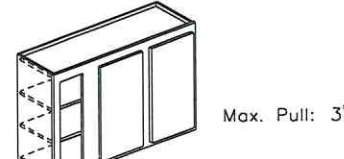
Wall - 42" High	Code
	W942 W1242 W1542 W1842 W2142 W2442
	W24422
	W2742 W3042 W3342 W3642

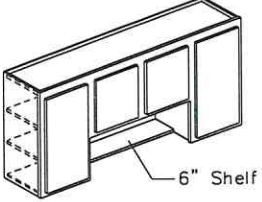
Upper Cabinets

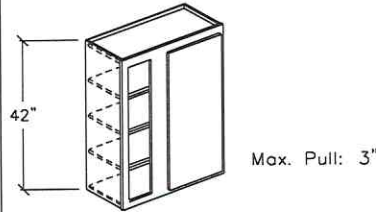
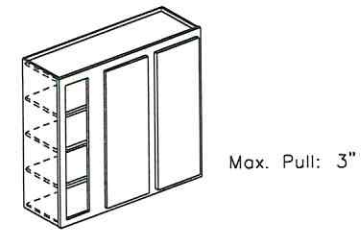
All upper cabinets are invertible for left or right hinging, except for Cathedral doors.

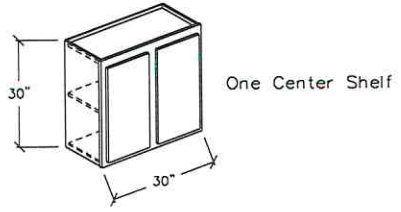
Refrigerator Wall Cabinet	Code
	W301224 W331224 W361224 W391224
	W301524 W331524 W361524 W391524
	W301824 W331824 W361824 W391824 W421824
	W331824 W361824 W391824

24" Blind Corner Cabinet	Code
	BCW2424 BCW3024 BCW3624
	BCW3924 BCW4224 BCW4824

30" Blind Corner Cabinet	Code
	BCW2430 BCW3030 BCW3630
	BCW3930 BCW4230 BCW4830
Also available in 36" Height	

Upper Combo	Code
	W5430OS W6030OS W6630OS W7230OS

42" Blind Corner Cabinet	Code
	BCW2442 BCW3042 BCW3642
	BCW3942 BCW4242 BCW4842

Washer/Dryer Cabinet	Code
	WDC3030

Upper Cabinets

Diagonal Corner Cabinet	Code
	CWC24 CWC30 CWC36 CWC42
	CWC30RS CWC36RS CWC42RS
	DCAG48 DCAG60

Peninsula Upper Cabinets	Code
	PW3024 PW3624
	PW2430 PW2730 PW3030 PW3330 PW3630
	PCW242430

Angle End Upper Cabinet	Code
	AEW24 AEW30 AEW42

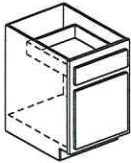
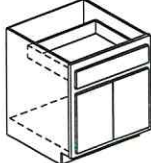
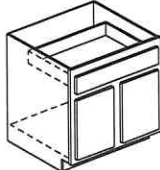
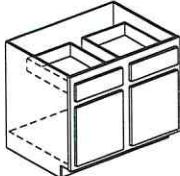
Microwave Cabinet	Code
	MW27461/212 MW3030 MW30341/212 MW30341/219 MW3042 MW30461/212 MW30461/219
	MWS25 1/2x17 MWS28 1/2x17 MWS3021

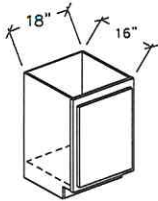
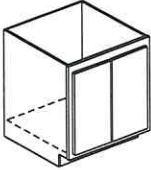
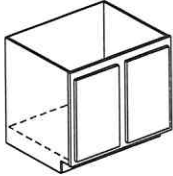
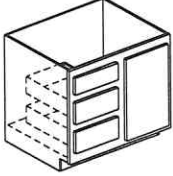
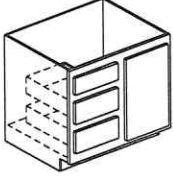
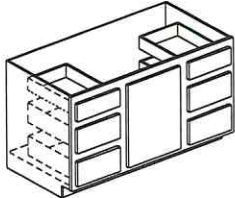
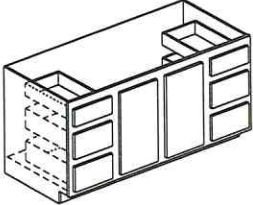
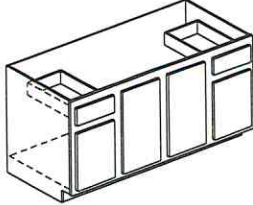
Island Upper Corner Cabinet	Code
	IWCC1524 IWCC1530 IWCC1542

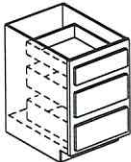
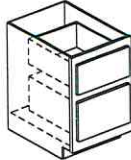
Wine Rack Cabinet	Code
	WR1530 WR1830 WR2430 WR3015 WR3018 WR3615 WR3618

All Vanities are
21" deep and 30" high
unless otherwise noted.

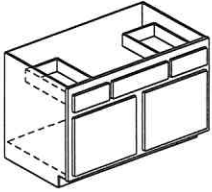
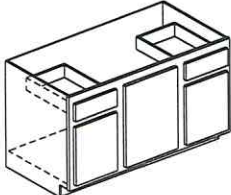
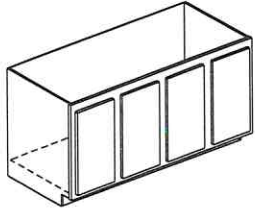
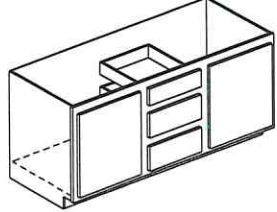
Vanity Cabinets

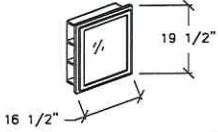
Vanity Base	Code
 <p>Specify Hinged L/R</p>	VB12 VB15 VB18 VB21 VB24
	VB242
	VB27
 <p>Also available with full height doors</p>	VB30 VB33 VB36

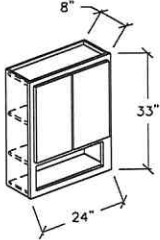
Vanity Sinkbase	Code
 <p>18" 16" 16" Deep</p>	VSB1816
	VSB242FH
	VSB27FH VSB30FH VSB36FH
 <p>Right Hand Sink</p>	VDBSB24 VDBSB30 VDBSB36
 <p>Left Hand Sink</p>	VSBDB24 VSBDB30 VSBDB36
	VDBSBDB48
	VDBSBDB54 VDBSBDB60 VDBSBDB66 VDBSBDB72
	VSB54 VSB60 VSB66 VSB72

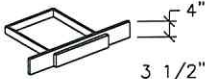
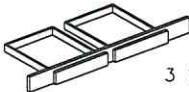
Vanity Drawer Base	Code
	VDB12 VDB15 VDB18 VDB21 VDB24
 <p>With File Drawer</p>	VDB182F

Vanity Cabinets

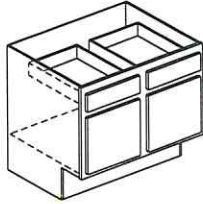
Vanity Sinkbase	Code
	VSB36DD VSB42DD VSB48DD
	VSB48DD 3DRS
	VSBVSB54 VSBVSB60
	VSBDBSB60 VSBDBSB66 VSBDBSB72

Medicine Cabinet	Code
 <p>Available with wood door or prepared for mirror.</p>	MED1619

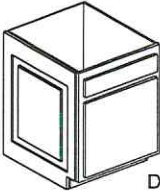
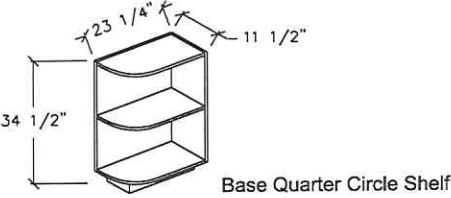
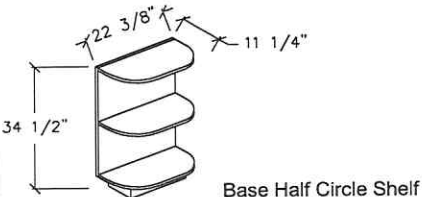
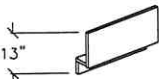
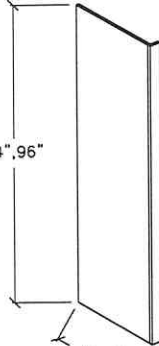

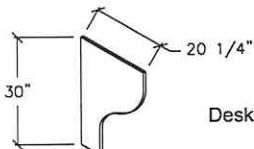
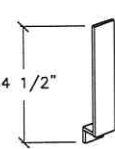
Toilet Topper	Code
	TT24338

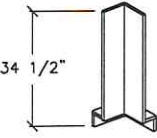


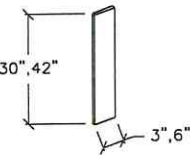
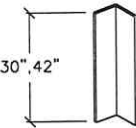


Vanity Drawer Units	Code
 <p>3 1/2" x 18 1/2" Drawer Trimable 6" each end</p>	VDU30 VDU36
 <p>3 1/2" x 14" Drawers Trimable 3" each end</p>	VDU42 VDU48

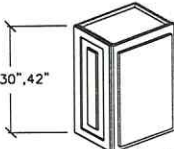

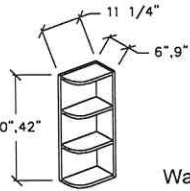
Handicap Cabinets

Handicap Toe Kick	Code
 <p>8 3/4" h x 6 1/2" d Toe Kick Available in Most Std. Base, Sinkbase, and Blind Corner Sizes.</p>	*HC

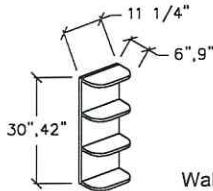
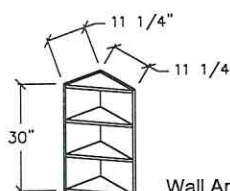

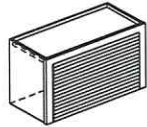

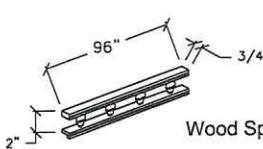
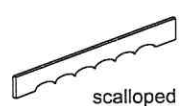
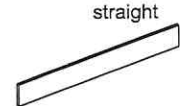

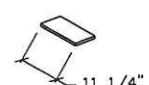
Miscellaneous Items

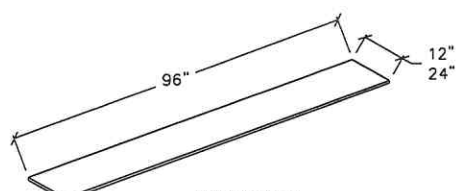


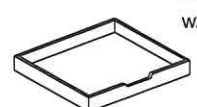
Base Misc. Items	Code
 <p>Decorator Base Panel</p>	DBP
 <p>Base Quarter Circle Shelf</p> <p>Dimensions: 23 1/4" (width), 11 1/2" (depth), 34 1/2" (height)</p>	BQCS
 <p>Base Half Circle Shelf</p> <p>Dimensions: 22 3/8" (width), 11 1/4" (depth), 34 1/2" (height)</p>	BHCS
 <p>Range Front</p> <p>Dimension: 13" (height)</p>	RF30
 <p>Refrigerator End Panel</p> <p>Dimension: 84", 96" (height)</p>	RE18412 RE18424 RE38412 RE38424 RE19612 RE19624 RE39612 RE39624
 <p>Reversible Dish Washer End Panel</p> <p>Also Available w/ Toe Kick Specify L/R</p> <p>Dimensions: 34 1/2" (height), 24" (width), 12", 24" (depth), 1", 3" (thickness)</p>	DWEP1 DWEP3 DWEP6
 <p>Desk End Panel</p> <p>Dimensions: 30" (height), 20 1/4" (width)</p>	DEP
 <p>Base Filler</p> <p>Dimension: 34 1/2" (height)</p>	BF1 BF3 BF6

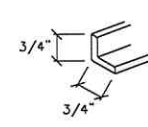
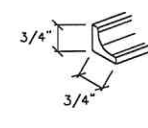
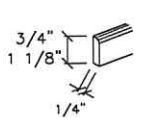
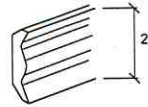
Base Misc. Items	Code
 <p>Corner Base Filler</p> <p>Dimension: 34 1/2" (height)</p>	CBF1x1 CBF3x3 CBF6x6
 <p>Toe Kick Filler</p>	BFTK3 BFTK6
 <p>Corner Toe Kick Filler</p>	BFTK3x3 BFTK6x6
 <p>3/4" Thick Filler</p> <p>Dimensions: 30", 42" (height), 3", 6" (width)</p>	F330 F342 F630 F642
 <p>3/4" Thick Corner Filler</p> <p>Dimensions: 30", 42" (height)</p>	F3x330 F3x342 F6x630 F6x642
 <p>Toe Kick Cover</p> <p>3/16" x 3 1/2" x 96" Specify Stained or Black</p>	TKCST TKCBLK
 <p>Tilt Out Tray</p>	TOTRAYS

Upper Misc. Items	Code
 <p>Wall Decorator Panel</p> <p>Dimensions: 24", 30", 42" (height)</p>	WDP24 WDP30 WDP42
 <p>Wood Range Hood</p>	RH30 RH36
 <p>Wall Quarter Circle Shelf</p> <p>Dimensions: 30", 42" (height), 11 1/4" (width), 6", 9" (depth)</p>	WQC630 WQC642 WQC930 WQC942

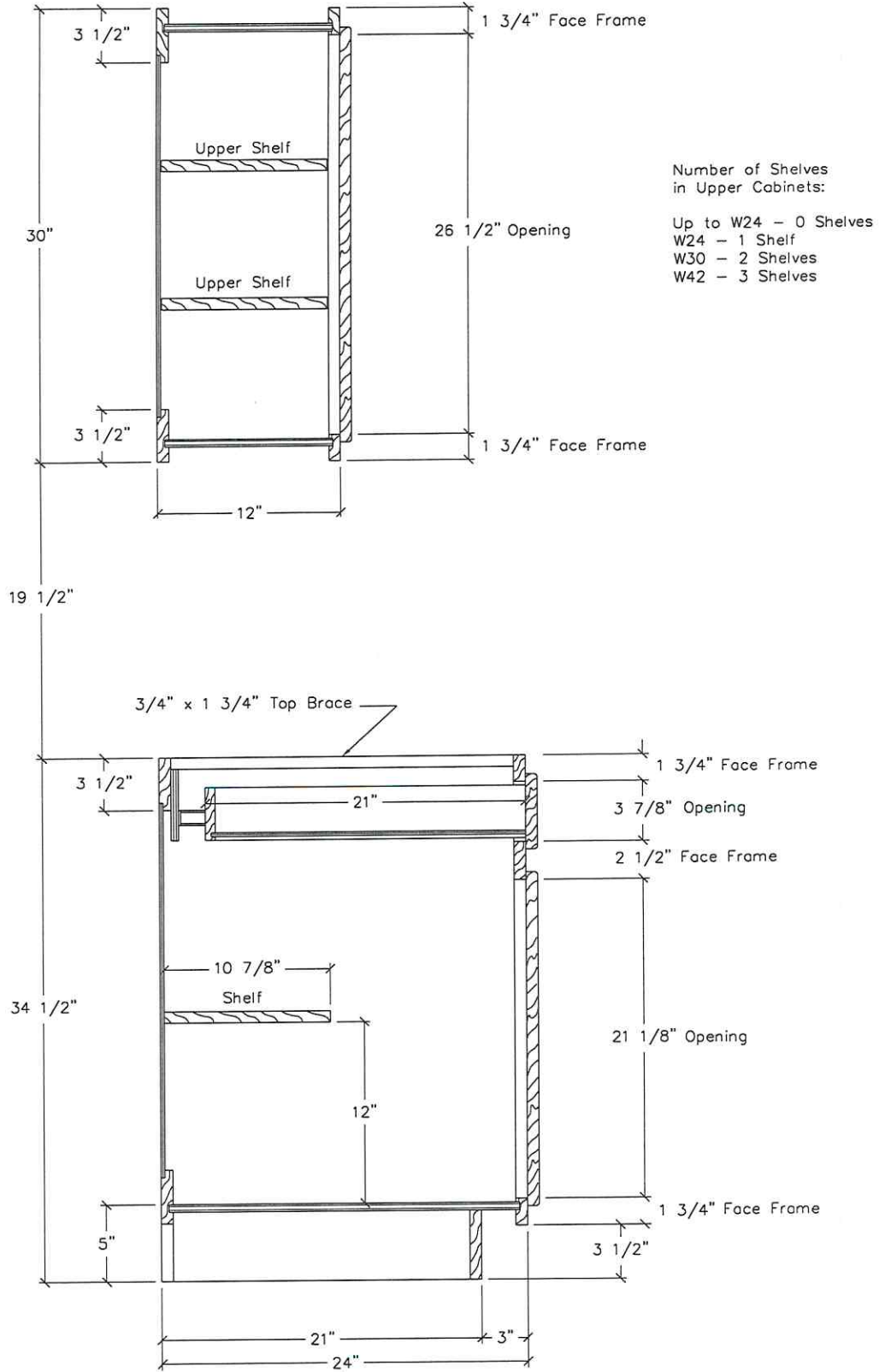
Miscellaneous Items

Upper Misc. Items	Code
 <p>Wall Half Circle Shelf</p>	<p>WQC630 WQC642 WQC930</p>
 <p>Wall Angle Shelf</p>	<p>WAS</p>
 <p>Appliance Garages</p>	<p>APPGA18</p>
 <p>Appliance Garage</p>	<p>APPGA30</p>
 <p>Wine Glass Holder</p>	<p>WR24GH WR30GH WR36GH</p>
 <p>Wood Spindle Rail</p>	<p>WSR8</p>
 <p>scalloped Valance</p>	<p>V36S V48S V60S V72S</p>
 <p>straight Valance</p>	<p>V36 V48 V60 V72</p>
 <p>Wall Filler</p>	<p>WF1 WF3 WF6</p>
 <p>Wall Filler Return</p>	<p>WFR1 WFR3 WFR6</p>

Shelves	Code
 <p>Utility Shelf</p>	<p>US.751296 US.752496</p>
 <p>Shelf Brace Support</p>	<p>SBS9</p>
 <p>Broom Cabinet Shelf Kit w/ 4 Adjustable Shelves</p>	<p>K1216 K1516 K1816 K2116 K2416 K2716 K3016 K3316 K3616</p>
 <p>Roll Out Shelf Kit w/ 2 Roll Out Shelves</p>	<p>ROSK15 ROSK18 ROSK21 ROSK24 ROSK27 ROSK30 ROSK33 ROSK36</p>

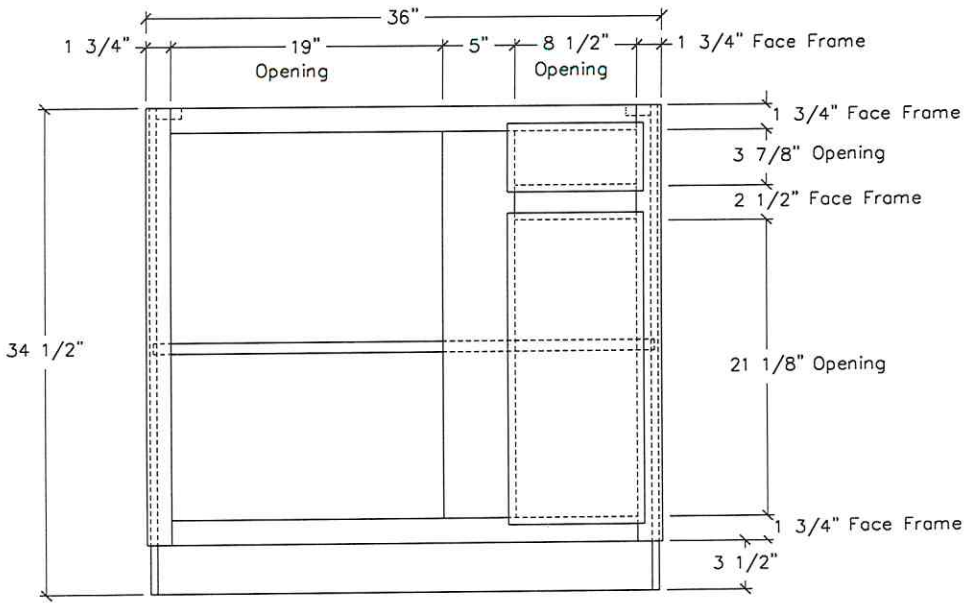
Molding	Code
 <p>Outside Corner</p>	<p>OSC</p>
 <p>Cove</p>	<p>COVE</p>
 <p>Scribe</p>	<p>SM.75 SM1.125</p>
 <p>Crown</p>	<p>CM</p>

Cabinet Details



Section View of Standard Base and Upper Cabinet

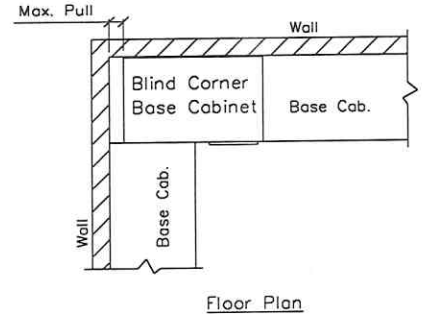
Cabinet Details



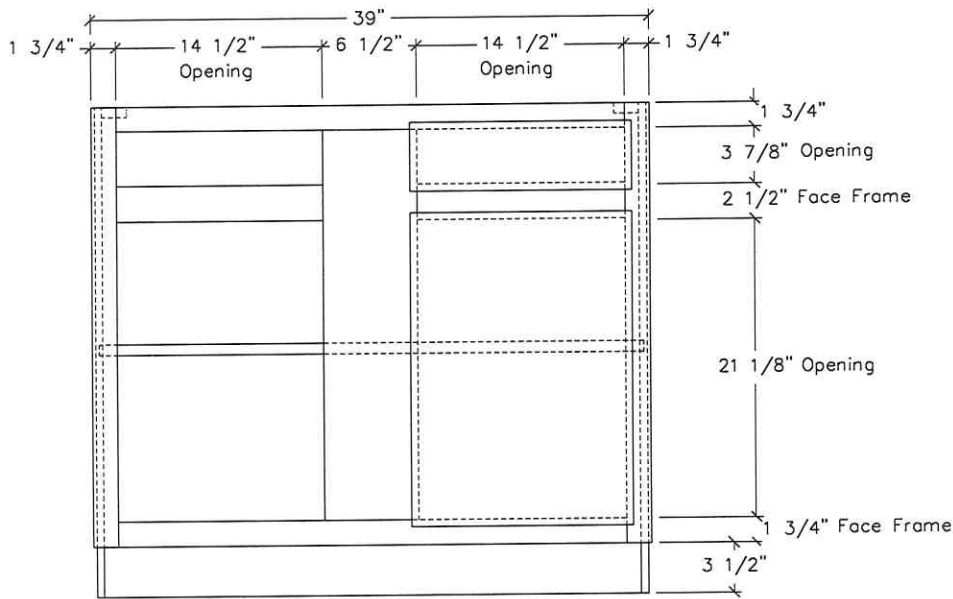
Blind Corner Base Cabinet
BCB36L Shown

Door Opening Width:

BCB36	8 1/2"
BCB42	14 1/2"
BCB48	20 1/2"
BCB54	Pair 11 1/2" w/ center mullion
BCB60	Pair 14 1/2" w/ center mullion



Note:
Maximum "Pull" for all BCB's is 3"



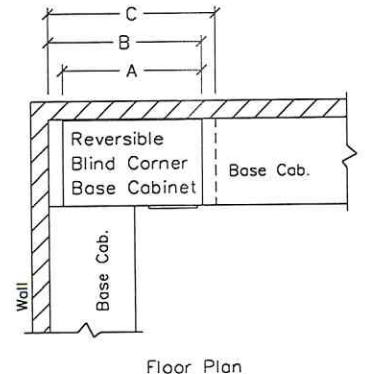
Reversible Blind Corner Base
RBCB4239 Shown

Door Opening Width:

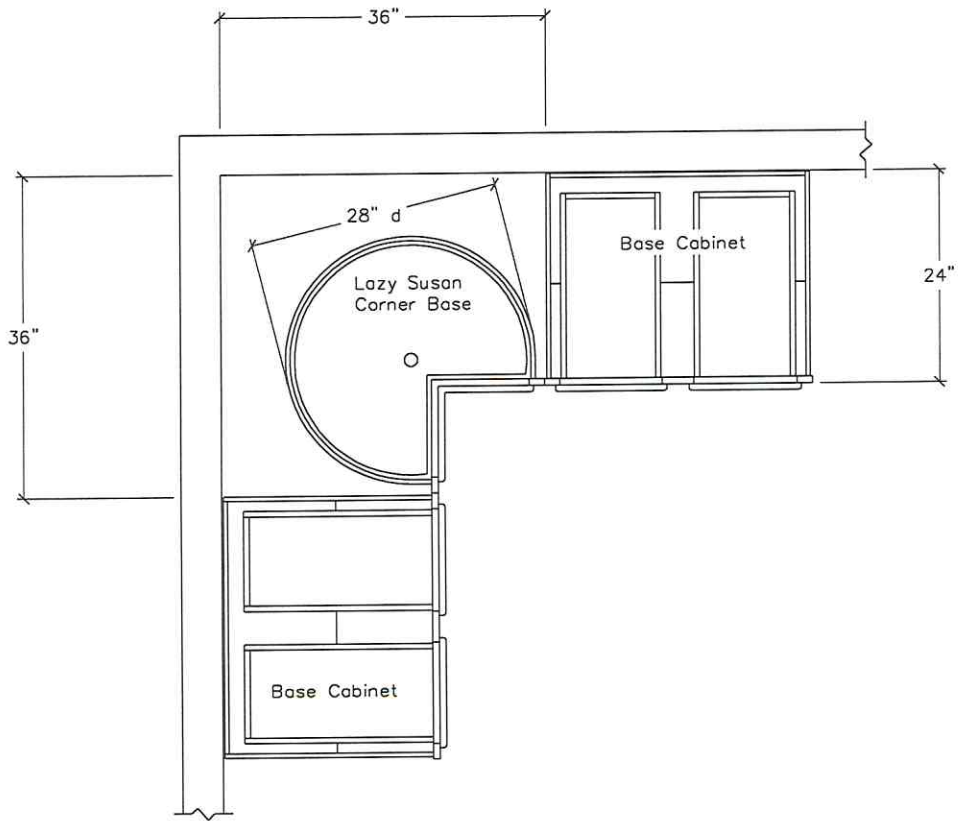
RBCB3627	8 1/2"
RBCB3933	11 1/2"
RBCB4239	14 1/2"
RBCB4545	17 1/2"

A: Actual Cabinet Width
B: Min. space to place Cabinet
C: Max. space to place Cabinet

	A	B	C
RBCB3627	27"	36"	40"
RBCB3933	33"	39"	43"
RBCB4239	39"	42"	46"
RBCB4545	45"	45"	49"

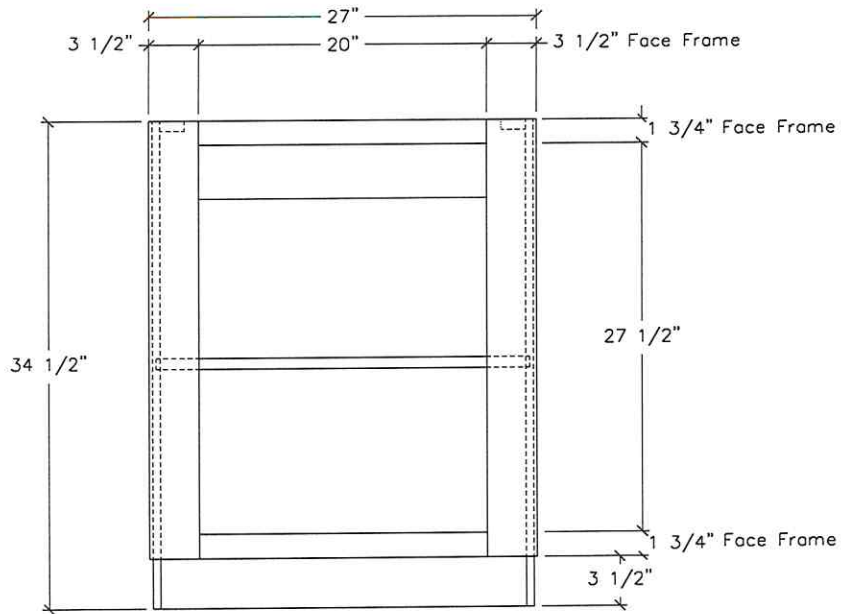


Cabinet Details



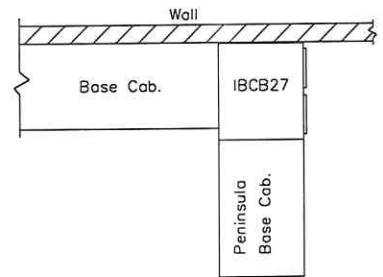
Lazy Susan Corner Base Cabinet (LSCB36)

Cabinet Details

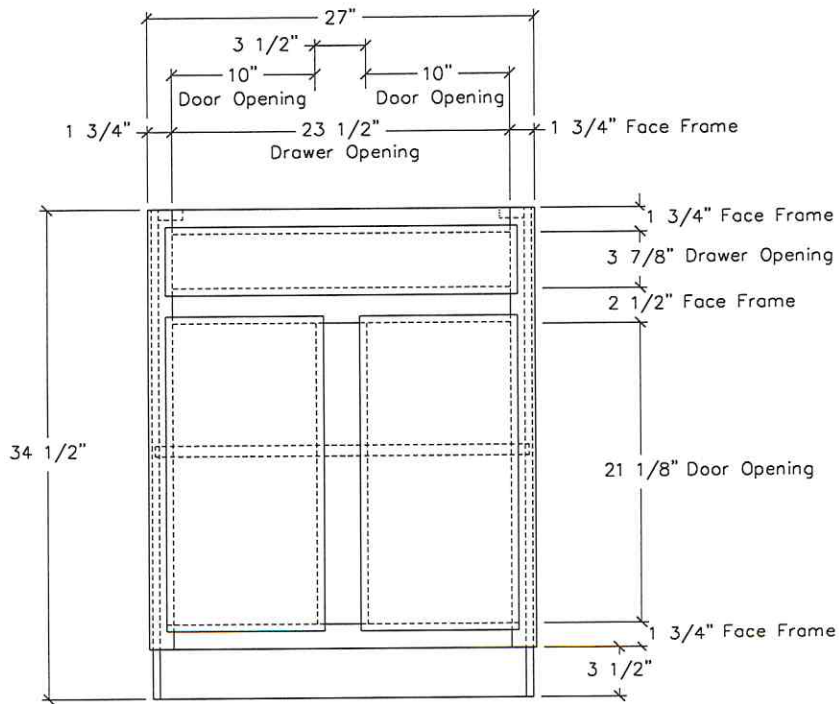


Rear View

Island Base Corner Cabinet (IBCB27)



Floor Plan



Front View

Note:
IBCB27 is Reversible

Cabinet Abbreviations

ADJSPLASH-L Adjustable end splash used on countertops at the end of a run next to a wall or broom cabinet.
ADJSPLASH-R Adjustable end splash used on countertops at the end of a run next to a wall or broom cabinet.
AEB Angle End Base Cabinet
AEW Angle End Wall Cabinet
APPGA (18) Appliance Garage (Corner Wall Cabinet Design)
APPGA (30) Appliance Garage (Standard Cabinet use in sizes 18"-36")
B Standard Base Cabinet
B242 Standard Base Cabinet 24"w with 2 doors no center stile
BAS Base Angle Shelf
BASESKIN Base Skin
BAT Batten Molding
BC Base Corner Cabinet -pie shaped. May have a diagonal or L shaped (with piano hinge) door.
BCB Blind Corner Base Cabinet (specify blind corner)
BCB-SB Blind Corner Base Cabinet (specify blind corner) with combination sink base.
BCD Blind Corner Diagonal Corner Cabinet
BCSB Blind Corner Sink Base Combination Cabinet
BCW Blind Corner Wall Cabinet (Specify Blind-Square Corner Left or Right)
BCxxxxxRS Base Corner Cabinet with revolving shelf-May have a diagonal or L shaped (with piano hinge) door.
BEP Base End Panel
BFTK3 Base Filler Toe Kick-3"
BFTK6 Base Filler Toe Kick-6"
BHCS Base Half Circle Shelf
BLANK False Front located on all base cabinets with a sink in the place of a drawer.
BQCS Base Quarter Circle Shelf
BRM Broom Cabinet. Listed as WxHxD. 24"W BRM has no center stile-doors butt. One shelf in top section.
Listed as PTY (pantry) when a shelf kit of 4 adjustable shelves is installed in "bottom section. Single door cabinets are listed as R or L. Standard heights are 96" or 84".
BSB Combination Sink Base Cabinets.
CBFTK33 Corner Base Toe Kick-3"x 3"
CBFTK66 Corner Base Toe Kick-6"x 6"
CM Crown Molding 8', 10' or 12' Lengths
COVE Cove Molding 8' Lengths
CSF42 Corner Sink Front 42"
CTK Corner Toe Kick
CTMOLD Counter Top Molding-8' Lengths
CWC Diagonal corner wall cabinets
CWCxxRS Diagonal corner wall cabinets with revolving shelf(s)
DB Drawer Base
DBP Decorator Base Panel
DBxx3 Drawer Base Cabinet. Standard kitchen DB-4 drawers and vanity cabinets have 3 drawers.
DBxx4 Drawer Base Cabinet. Standard kitchen DB-4 drawers and vanity cabinets have 3 drawers.
DCAG Diagonal corner wall cabinet with appliance garage.
DCAGxxRS Diagonal corner wall cabinet with revolving shelf(s) and appliance garage.
DEP Desk End Panel
DOBP84 Decorator Oven Base Panel-84"
DOBP96 Decorator Oven Base Panel-96"
DOOR Cabinet Door
DR Door
DSF Diagonal Sink Front
DSFF Diagonal Sink Front Floor
DW Dishwasher Decorator Panel

Cabinet Abbreviations

DWEP1 Reversible Dishwasher End Panel - 1"
DWEP3 Reversible Dishwasher End Panel - 3"
DWEP6 Reversible Dishwasher End Panel - 6"
DWR Drawer
EB Edge Banded
F3 Filler 3"x31"
F33 Corner Filler 3"x3"x31"
F3x42 Filler 3"x42"
F3x84 Filler 3"x84"
F3x96 Filler 3"x96"
F6 Filler 6"x31"
F6x42 Filler 6"x42"
F66 Filler 6"x6"
F6x84 Filler 6"x84"
F6x96 Filler 6"x96"
FF75175 Face Frame Material
FH Standard Base Cabinet with full height doors and no drawer.
FTB4 Furniture Toe Board-4x96
FWCTOP Finished Wood Counter Top
GAL. STAIN Gallon Stain
IBCB Island Blind Corner Base
IWCC Island Blind Corner Base
K Shelf Kit-comes in set of 4 for Pantry Cabinets
L Left Hinging
LDB Linen Drawer Base
LS Librarian Cabinet
LSCB Lazy Susan Corner Base
MEDCAB Medicine Cab
MW Microwave Cabinet w/Shelf
OSC Outside Corner Molding.
OxxxxxxU Universal Oven Cabinet WxHxD
OxxxxxxD Oven Cabinet WxHxD for Double Oven cabinet.
OxxxxxxMW Oven Cabinet WxHxD w/Microwave opening
PB Peninsula Base (L-left door hinging, R-right door hinging)
PBCB Peninsula Blind Corner Base (specify blind-square corner right or left)
PBCW Peninsula Blind Corner Wall (specify blind-square corner left or right)
PDB Pantry Drawer Base
PLASTIC Plastic laminate. Sold in standard sizes (18", 24" or 30" High and 1' Length increments).
PLY.125 Sheet of Plywood-1/8" Thick
PLY.25 Sheet of Plywood-1/4" Thick
PLY.50 Sheet of Plywood-1/2" Thick
PLY.75 Sheet of Plywood-3/4" Thick
PRBC Peninsula reversible blind corner base
PSB Peninsula sink base.
PW Peninsula Wall cabinets
R Right Hinging
RB Range Base
RBCB Reversible Blind Corner Base
RBP Range Base Panel
REF Refrigerator End Panel. WxHxD
RF Range Front
RH Range Hood
ROSB Roll out shelf base (L or R signify left or right door hinging)
ROSK Rollout out shelf kit (set of 2). Can be used in Pantry cabinets.

Cabinet Abbreviations

RS Revolving shelf (available in Lazy Susan Base, Corner Wall Cabinets and Diagonal Corner Cabinets.)
SAMPFR Sample Front
SB Standard Sink Base cabinet. Single door cabinets listed as R or L hinging.
SBS9 Shelf Brace Support
SF Sink Front
SFF Sink Front Floor
SHF Shelf 11" x96" or 20" x96"
SM Scribe Molding-comes standard in 3/4" or 1 1/8" Widths. 1 1/8" size comes in 6', 8' or 10' lengths.
3/4" Scribe is also available in 1/4" round layout.
SR Spindle rail comes in 6' or 8' lengths.
SOFFITT 1/4", 1/2" or 3/4" plywood stained for soffitt or furring. Comes in standard sizes 11 7/8" x 96."
TB All 9"w Base Cabinets have a single door and are listed as TB9.
TKCST Toe Kick Cover Stained
TOTRAYS Tilt-out Trays-set of 2
US Utility Shelf. Thickness x Depth x Length
Vxx Valance cut straight
VxxS Valance cut with scalloped bottom
VB Standard Vanity Base cabinet
VDB Vanity Drawer Base. Comes standard with 3 drawers.
VDBxx2D Vanity Drawer Base with 2 file drawers.
VDBSB or Vanity drawer base and sink base combination. The sink base (SB) will be on the left
VSDBB or the right depending on the location in the name (VDBSB-sink base will be on the right)
VDU Vanity Drawer Unit (desk unit)
VEP Vanity End Panel
VSB Standard vanity sink base cabinet.
VSBxxCombo Vanity sink base combination. Refer to specific cabinet for combination sizes.
VSBxxDD Vanity sink base with double drawers (2 drawers with center false front)
W Standard wall cabinet also known as an upper Cabinet.
WALLSKIN Wall Skin
WAS Wall Angle Shelf
WC1515 Wall Corner Closure
WCxxxxOS Wall combination cabinet with open shelf in center section.
WDC Washer/Dryer cabinet. No doors.
WDP Wall decorator panel
WF Wall filler
WFR Wall filler return
WHC Wall Half Circle
WQC Wall Quarter Shelf
WRxxGH Wine Glass Holder
WSR8 Wood Spindle Rail-8' Lengths
WxxxxWR Wall cabinet with wine rack. Standard wine rack is 11"h
Wxxxx-xxDP Standard wall cabinet of varying depth. Normally over a refrigerator this would be 24" Deep.

Cabinet Specifications

Melrose Series

End Panels	1/2" Plywood
Face Frame	3/4" hardwood
Drawer Sides	5/8" Pine
Drawer Bottoms	1/4" Birch
Base Bottoms	1/2" Plywood
Backs	1/4" Birch
Wall Tops/Bottoms	1/2" Plywood
Base Shelves	1/2" Plywood
Upper Shelves	3/4" Plywood
Toe Kicks	3/4" Pine
Hanging rails	3/4" Pine
Drawer Runner	100 lb. epoxy
Hardware	Grass Half overlay concealed

HUD/Severe Use Series

End Panels	1/2" Plywood with Pressure treated Pine toe kick
Face Frames	3/4" hardwood
Drawer Sides	5/8" Pine
Drawer Bottoms	1/4" Birch
Backs	1/4" Plywood
Wall Tops/Bottoms	1/2" Plywood
Base Shelves	1/2" Plywood fixed shelf
Upper Shelves	1/2" Plywood fixed shelf
Toe Kicks	3/4" Pressure treated Pine
Hanging rails	3/4" Pine
Drawer Runner	100 lb. epoxy
Hardware	Amerock wrap around

Counter Tops

