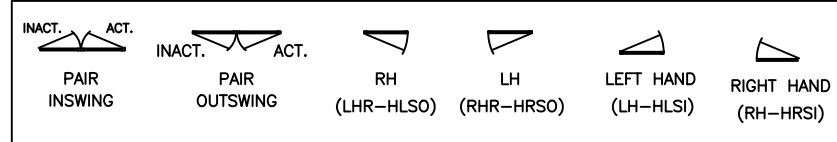




## DOOR SCHEDULE

DOOR	SIZE	HAND	DOOR TYPE	FRAME	FRAMING	HARDWARE	LOCATION
101A	6'-0" X 7'-0"	PRSO	ALUM.	SF3	FG-5750T	1	VESTIBULE 101
102A	3'-0" X 7'-0"	RHR-HRSO	ALUM.	SF6	FG-2000	2	VESTIBULE 101
104A	3'-0" X 7'-0"	LH-HLSI	ALUM.	SF8	FG-2000	3	OFFICE 104
105A	3'-0" X 7'-0"	LH-HLSI	ALUM.	SF5	FG-2000	3	MEETING 105
106A	3'-0" X 7'-0"	RH-HRSI	ALUM.	SF7	FG-2000	3	OFFICE 106
107A	3'-0" X 7'-0"	LH-HLSI	ALUM.	SF7	FG-2000	3	OFFICE 107
115A	3'-0" X 7'-0"	LHR-HLSO	ALUM.	SF6A	FG-2000	2	VESTIBULE 101
116A	3'-0" X 7'-0"	LH-HLSI	ALUM.	SF5A	FG-2000	3	MEETING 116



### DOOR NOTES:

- EXTERIOR ALUMINUM DOORS ARE OLDCASTLE B.E. MEDIUM STILE STORMAX WITH A 10" BOTTOM RAIL TO ACCEPT 1" GLASS
- INTERIOR ALUMINUM DOORS ARE OLDCASTLE B.E. MEDIUM STILE WITH A 10" BOTTOM RAIL TO ACCEPT 1/4" GLASS

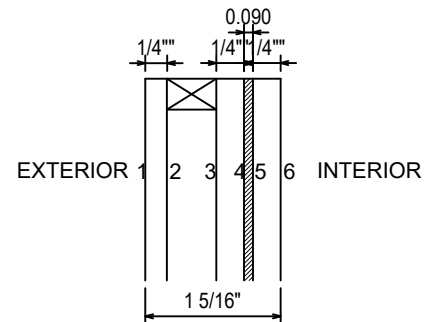
### DOOR HARDWARE NOTES:

- HARDWARE FOR STOREFRONT DOORS IS SUPPLIED BY OTHERS. GLASSCORP TO PROVIDE CLOSERS ONLY. GLASSCORP WILL PREP AND INSTALL THE HARDWARE PER THE APPROVED HARDWARE SCHEDULE. AN APPROVED HARDWARE SCHEDULE WILL NEED TO BE PROVIDED BY THE G.C. ANY DELAY IN RECEIVING THE APPROVED HARDWARE SCHEDULE WILL RESULT IN A DIRECT DELAY IN DOOR SHIPMENT.
- ALL HARDWARE MUST BE DELIVERED TO GLASSCORP. PLEASE MARK ALL BOXES CLEARLY TO INCLUDE DOOR NUMBERS. ANY DELAY IN RECEIVING THE DOOR HARDWARE WILL RESULT IN A DIRECT DELAY IN DOOR SHIPMENT. PLEASE COORDINATE SHIPPING LOCATION WITH GLASSCORP PRIOR TO SHIPMENT.

## GLASS SCHEDULE

GLAZING TYPE	DESCRIPTION
	1-5/16" IMPACT RATED IGUS
(GL-1)	- 1/4" GUARDIAN SUNGUARD SNX 62/27 ON CLEAR TEMPERED LOW-E #2 SURFACE - 1/2" AIR SPACE - 1/4" CLEAR HEAT STRENGTHENED - .090 CLEAR PVB INTERLAYER - 1/4" CLEAR HEAT STRENGTHENED
(GL-2)	1" IMPACT RATED IGUS - 3/16" GUARDIAN SUNGUARD SNX 62/27 ON CLEAR TEMPERED LOW-E #2 SURFACE - 3/8" AIR SPACE - 3/16" CLEAR HEAT STRENGTHENED - .090 CLEAR PVB INTERLAYER - 3/16" CLEAR HEAT STRENGTHENED
(GL-3)	1/4" CLEAR TEMPERED

GLASS SURFACE ILLUSTRATION:



ARCH/GC GLASS NOTES:  
ALL GLAZING TYPES LISTED HERE ARE BASIC DESCRIPTIONS.  
REFERENCE GLASSCORP SEPARATE SUBMITTALS FOR A COMPLETE GLASS SCHEDULE.

ARCHITECT TO CHOOSE GLASS TINT AND MAKE UP FROM PROVIDED SAMPLES.

## WINDOW SYSTEMS:

### EXTERIOR STOREFRONT:

OLDCASTLE B.E. FG-5750T - 2 1/2" X 5" IMPACT RESISTANT CENTER SET TO ACCEPT 1 5/16" GLASS

### INTERIOR STOREFRONT:

OLDCASTLE B.E. FG-2000 - 1 3/4" X 4 1/2" CENTER SET TO ACCEPT 1/4" GLASS

### STOREFRONT FINISH:

EXTERIOR WINDOWS - DARK BRONZE

INTERIOR WINDOWS - CLEAR ANODIZED

SET 1: Pair 3'0" w x 7'0" h MSD-375 Doors

Exit Device: First Choice Series 3690 CVR Exit Device

Closer: Deltana DC-40 Heavy Duty, Surface Mounted Closer

Butt Hinges: Hagar BB 1199 Ball Bearing Steel Hinge (1-1/2 pair per leaf)

Lock: Standard 1-5/32" Mortise lock cylinder

Ladder Pull: CR Laurence's LP24ORB 12" length - Oil Rubbed Bronze Finish, Single Pull per leaf

SET 2: Single 3'0" w x 7'0" h Medium Stile Door

Exit Device: Adams Rite MS1850 Dead Bolt Lock

Closer: Deltana DC-40 Heavy Duty, Surface Mounted Closer (push side)

Butt Hinges: Hagar BB 1199 Ball Bearing Steel Hinge-US 32 D Finish

Lock: Standard 1-5/32" lock cylinder, keyed exterior (pull) side only

Pull: Standard C-pull, clear anodized finish, at pull side only  
(Owner's security contractor will provide touch sense bar at push side; contractor to coordinate power requirements)

SET 3: Single 3'0" w x 7'0" h Medium Stile Door

Closer: Deltana DC-10 Surface Mounted Closer (pull side)

Butt Hinges: Hagar BB 1199 Ball Bearing Steel Hinge-US 32 D Finish

Pull: standard C-pull & slim push bar, clear anodized finish

DATE	10/06/22
1ST SUBMISSION	
DESCRIPTION	
NO	

**GLASSCORP**  
 1930 HANAHAN RD.  
 NORTH CHARLESTON, SC 29406  
 P:843-494-0089

PROJECT: BEACON BANK - INTERNATIONAL BLVD.  
 LOCATION: 5270 INTERNATIONAL BLVD.  
 NORTH CHARLESTON, SC 29418

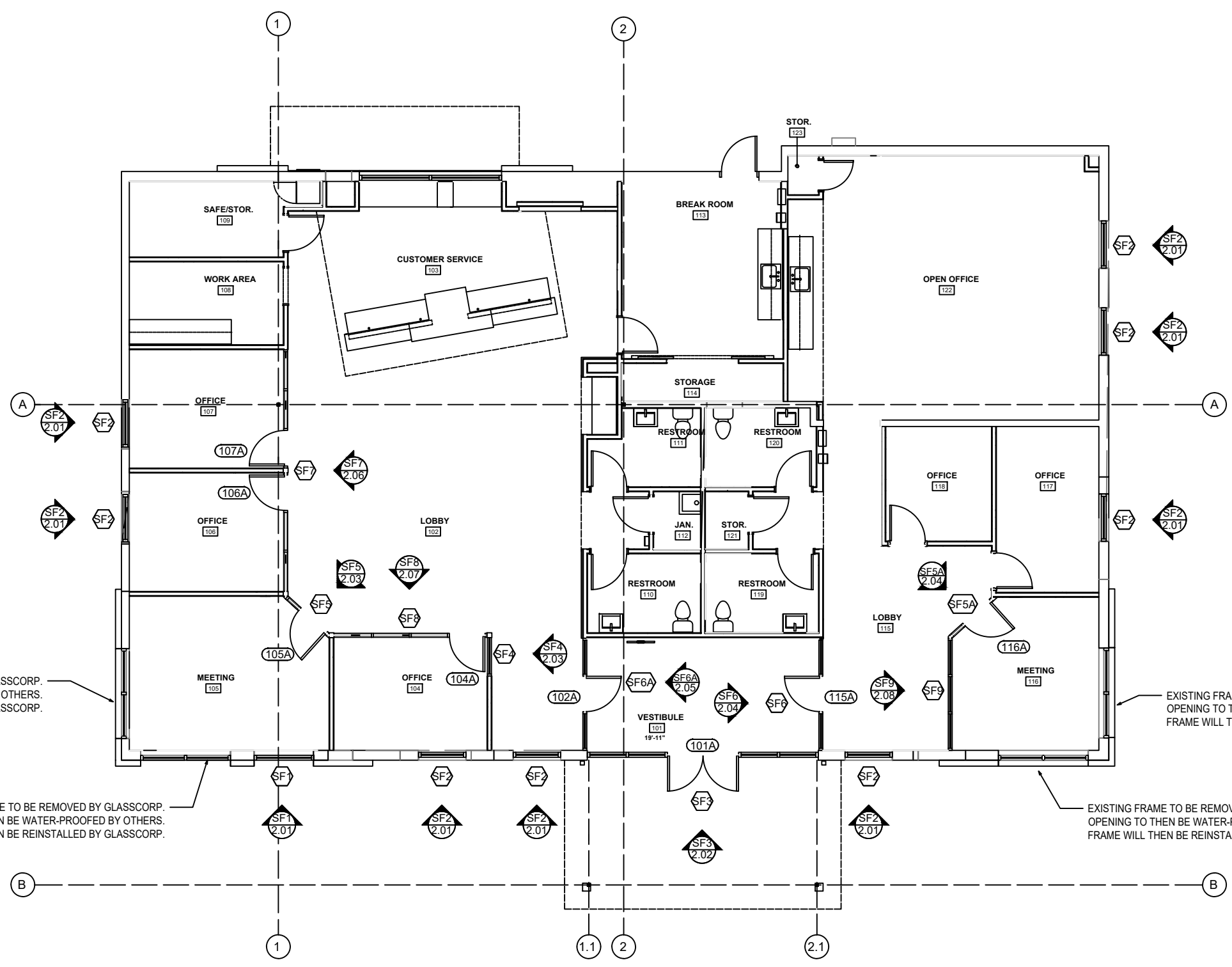
DRWN BY:	DATE:
BG	10/06/22
CHECKED BY:	DATE:
SG	10/06/22
JOB NO.:	

DATE	10/06/22
DESCRIPTION	1ST SUBMISSION
NO	
DESCRIPTION	DRAWING SUBMISSION

GLASSCORP  
 1930 HANAHAN RD.  
 NORTH CHARLESTON, SC 29406  
 P:843-494-0089

PROJECT: BEACON BANK - INTERNATIONAL BLVD.  
 LOCATION: 5270 INTERNATIONAL BLVD.  
 NORTH CHARLESTON, SC 29418

DRAWN BY: BG  
 DATE: 10/06/22  
 CHECKED BY: SG  
 DATE: 10/06/22  
 JOB NO.:



EXISTING FRAME TO BE REMOVED BY GLASSCORP. OPENING TO THEN BE WATER-PROOFED BY OTHERS. FRAME WILL THEN BE REINSTALLED BY GLASSCORP.

EXISTING FRAME TO BE REMOVED BY GLASSCORP. OPENING TO THEN BE WATER-PROOFED BY OTHERS. FRAME WILL THEN BE REINSTALLED BY GLASSCORP.

EXISTING FRAME TO BE REMOVED BY GLASSCORP. OPENING TO THEN BE WATER-PROOFED BY OTHERS. FRAME WILL THEN BE REINSTALLED BY GLASSCORP.

EXISTING FRAME TO BE REMOVED BY GLASSCORP. OPENING TO THEN BE WATER-PROOFED BY OTHERS. FRAME WILL THEN BE REINSTALLED BY GLASSCORP.

**ARCH / G.C. NOTE:**

FLOOR PLANS ARE PROVIDED FOR OPENING TYPE LOCATION ONLY. REFER TO SPECIFIC MARK ELEVATIONS FOR SIZE REFERENCE DIMENSIONING, MULLION SPACING, ETC.

**FLOOR PLAN**

NTS ARCH. REF.: A101

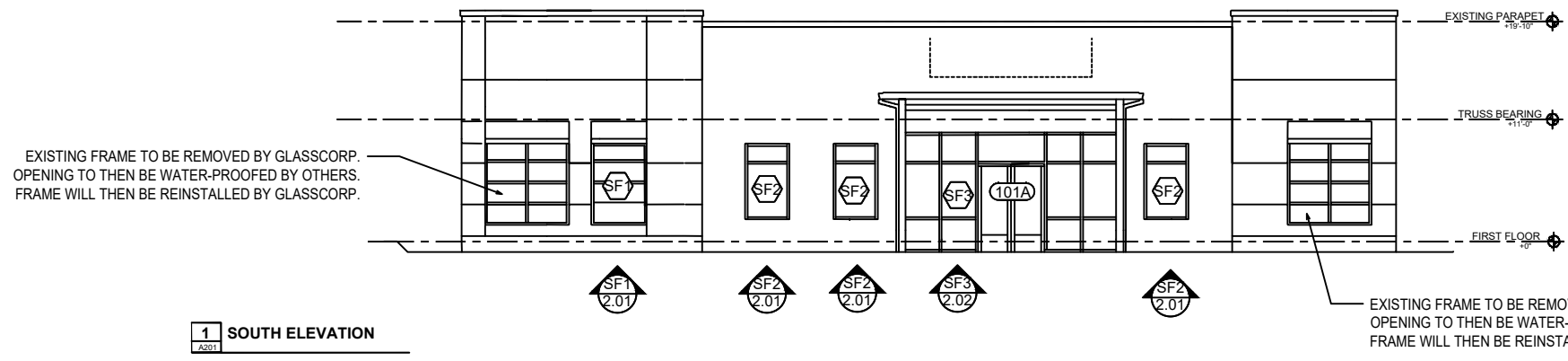


DATE	10/06/22
1ST SUBMISSION	
NO	
DESCRIPTION	
DRAWING SUBMISSION	

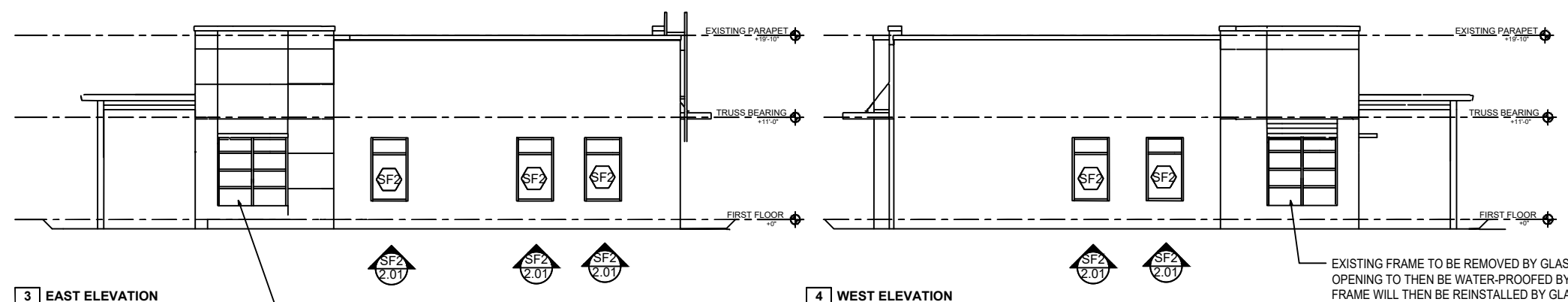
GLASSCORP  
 1930 HANAHAN RD.  
 NORTH CHARLESTON, SC 29406  
 P:843-494-0089

PROJECT: BEACON BANK - INTERNATIONAL BLVD.  
 LOCATION: 5270 INTERNATIONAL BLVD.  
 NORTH CHARLESTON, SC 29418

DRAWN BY: DATE:  
 BG 10/06/22  
 CHECKED BY: DATE:  
 SG 10/06/22  
 JOB NO.:



**1 SOUTH ELEVATION**  
 A201



**3 EAST ELEVATION**  
 A201

**4 WEST ELEVATION**  
 A201

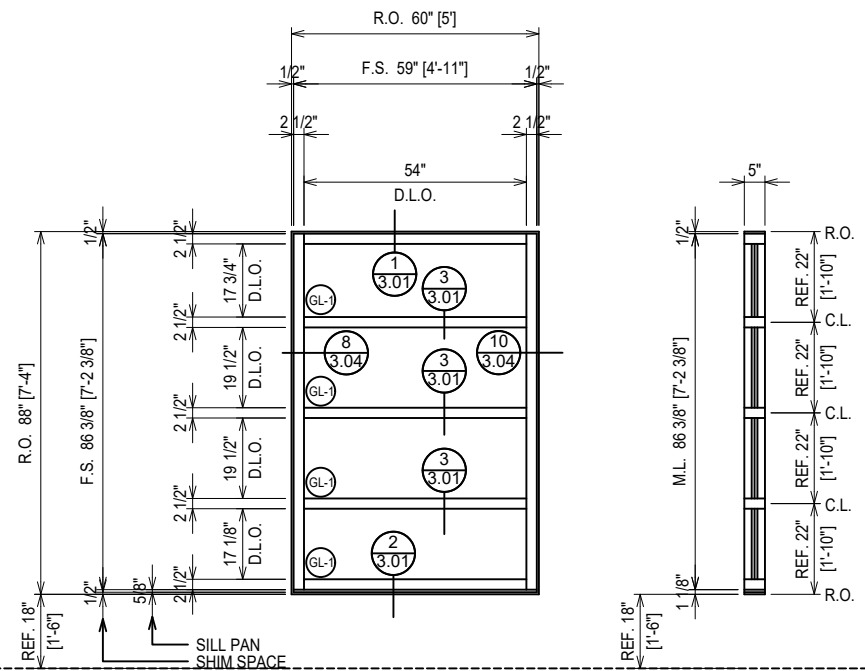
**ARCH / G.C. NOTE:**

FLOOR PLANS ARE PROVIDED FOR OPENING TYPE LOCATION ONLY. REFER TO SPECIFIC MARK ELEVATIONS FOR SIZE REFERENCE DIMENSIONING, MULLION SPACING, ETC.

**EXTERIOR ELEVATIONS**

NTS ARCH. REF.: A201

FIRST FLOOR  
0'-0"



FINISH: DARK BRONZE

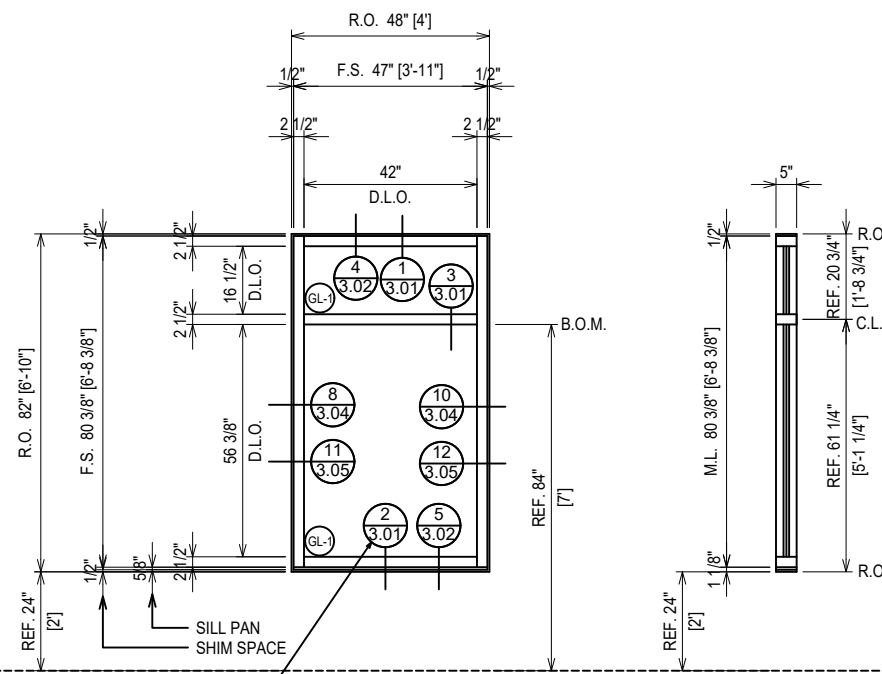
ARCH. REF.: 1/A302

ELEVATION **SF1**

SCALE: 1/2" = 1'-0"  
 OLDCASTLE STORMMAX FG-5750T - 2 1/2" X 5"  
 EXTERIOR STOREFRONT  
 1 5/16" INSULATED GLASS (CENTER SET)  
 QUANTITY: 1



FIRST FLOOR  
0'-0"



ONLY ON SOUTH WALL

FINISH: DARK BRONZE

ARCH. REF.: N/A

ELEVATION **SF2**

SCALE: 1/2" = 1'-0"  
 OLDCASTLE STORMMAX FG-5750T - 2 1/2" X 5"  
 EXTERIOR STOREFRONT  
 1 5/16" INSULATED GLASS (CENTER SET)  
 QUANTITY: 8



DATE	DESCRIPTION
10/06/22	1ST SUBMISSION
	NO
	DESCRIPTION
	DRAWING SUBMISSION

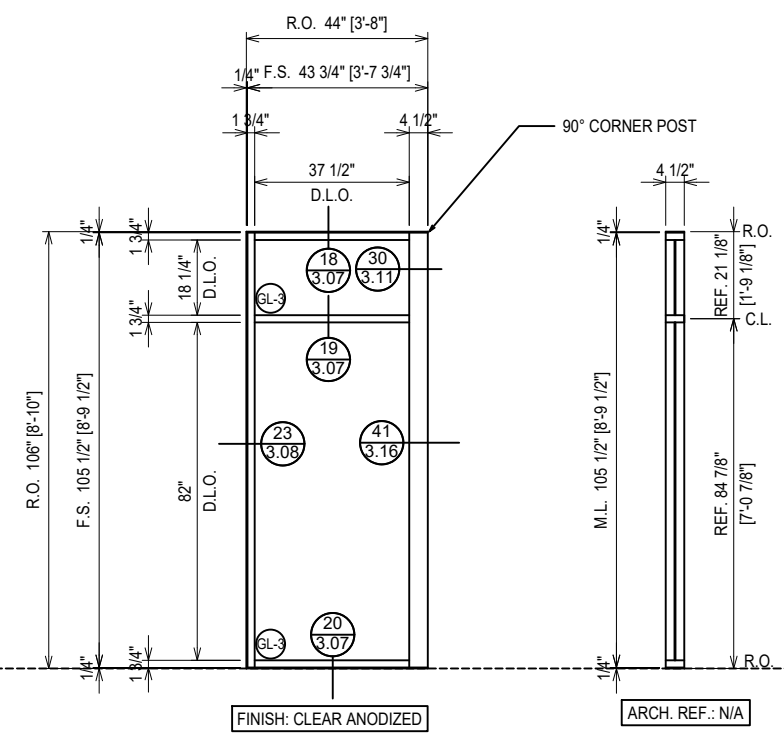
PROJECT: GLASSCORP  
 1930 HANAHAN RD.  
 NORTH CHARLESTON, SC 29406  
 P:843-494-0089

PROJECT: BEACON BANK - INTERNATIONAL BLVD.  
 LOCATION: 5270 INTERNATIONAL BLVD.  
 NORTH CHARLESTON, SC 29418

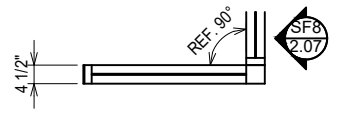
DRAWN BY:	DATE:
BG	10/06/22
CHECKED BY:	DATE:
SG	10/06/22
JOB NO.:	

ERECTOR / G.C. NOTE:  
 ROUGH OPENING IS TO BE GUARANTEED  
 BY G.C. TO MATCH SHOP DRAWINGS

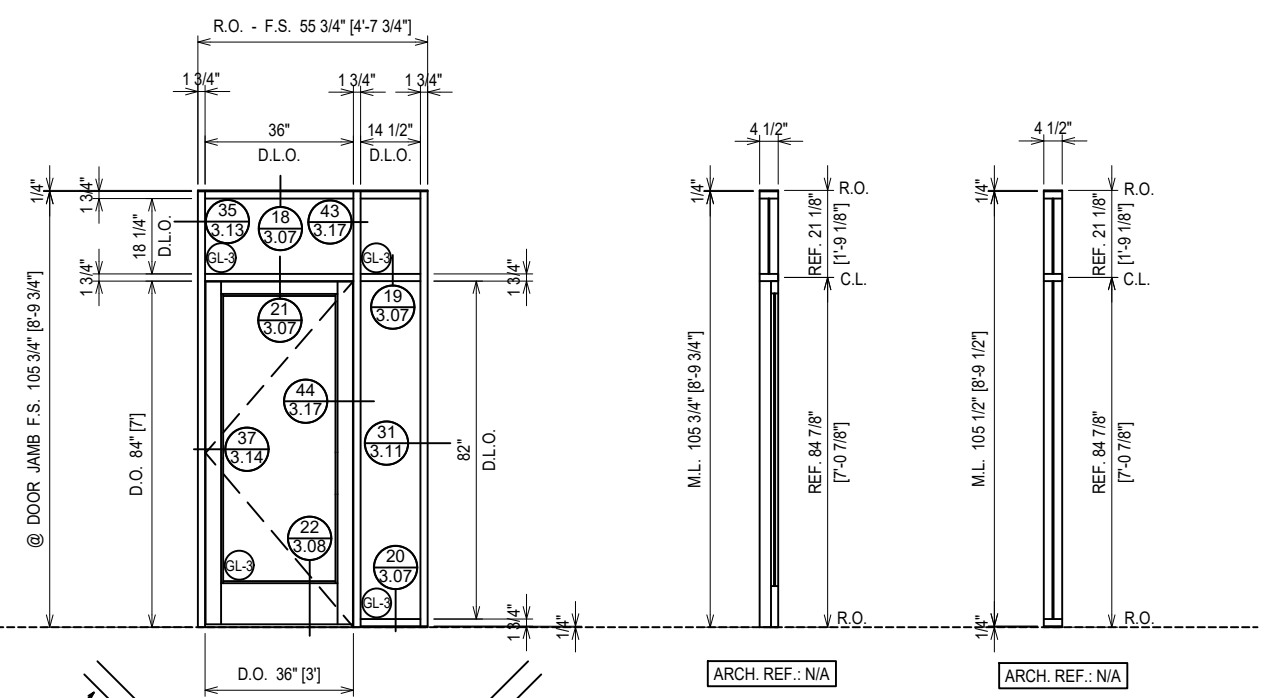




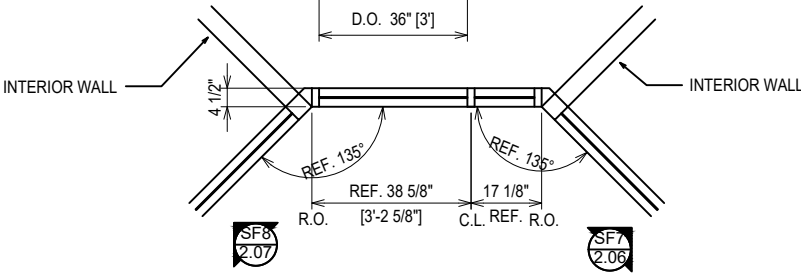
FINISH: CLEAR ANODIZED ARCH. REF.: N/A



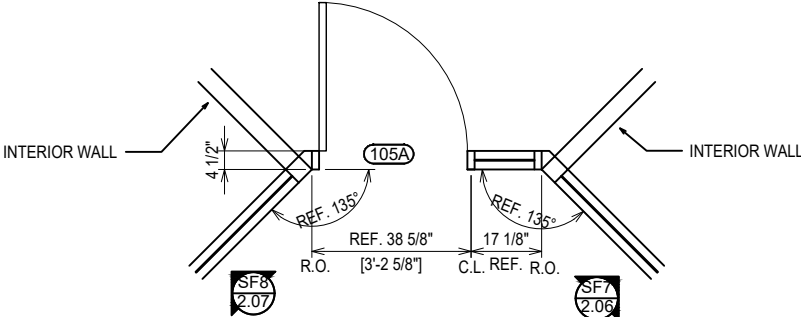
**ELEVATION SF4**  
 SCALE: 1/2" = 1'-0"  
 OLDCASTLE FG-2000 - 1 3/4" X 4 1/2"  
 INTERIOR STOREFRONT  
 1/4" TEMPERED GLASS (CENTER SET)  
 QUANTITY: 1



ARCH. REF.: N/A ARCH. REF.: N/A



**ELEVATION SF5**  
 SCALE: 1/2" = 1'-0"  
 OLDCASTLE FG-2000 - 1 3/4" X 4 1/2"  
 INTERIOR STOREFRONT  
 1/4" TEMPERED GLASS (CENTER SET)  
 QUANTITY: 1



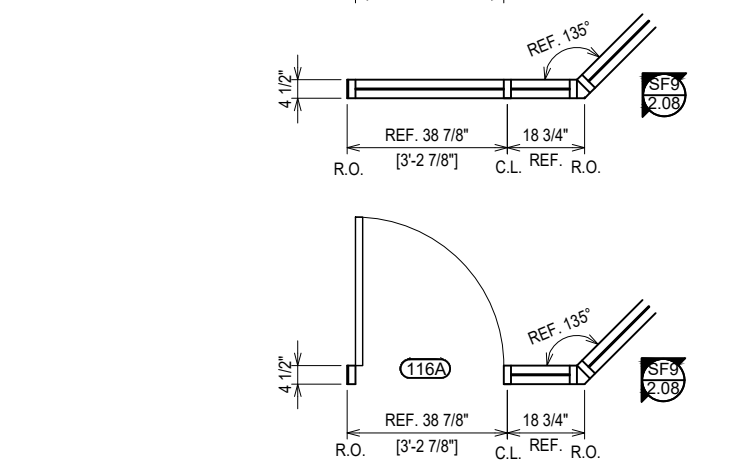
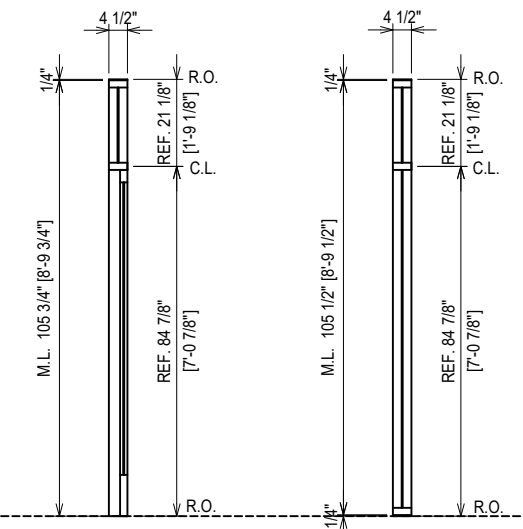
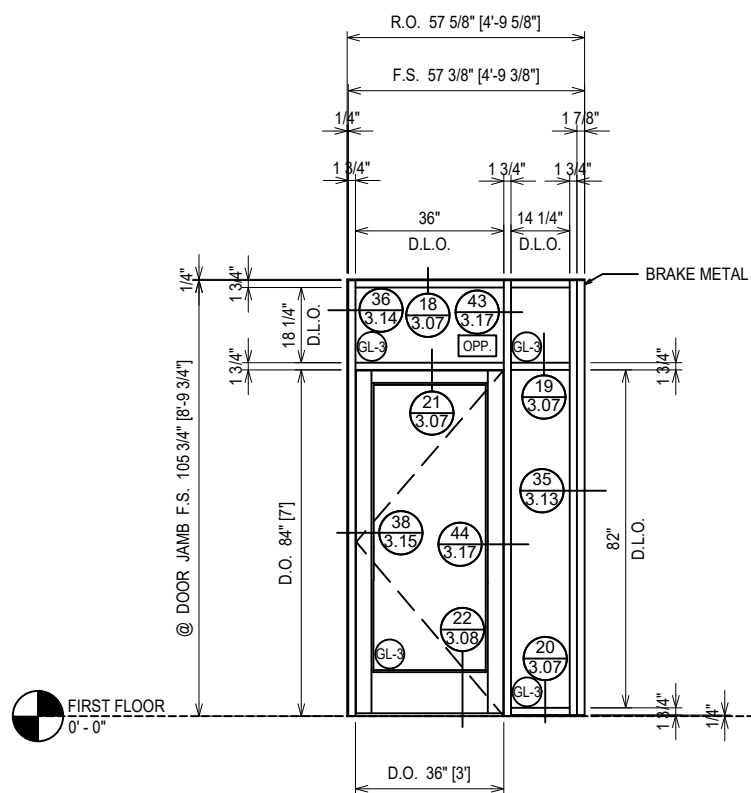
**ERECTOR / G.C. NOTE:**  
 ROUGH OPENING IS TO BE GUARANTEED  
 BY G.C. TO MATCH SHOP DRAWINGS

DATE	10/06/22
DESCRIPTION	NO
1ST SUBMISSION	
DRAWING SUBMISSION	

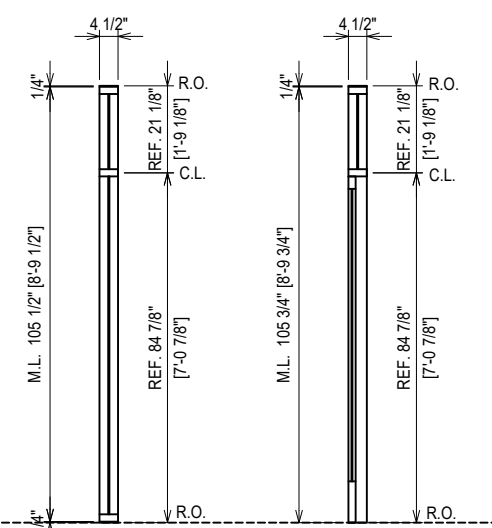
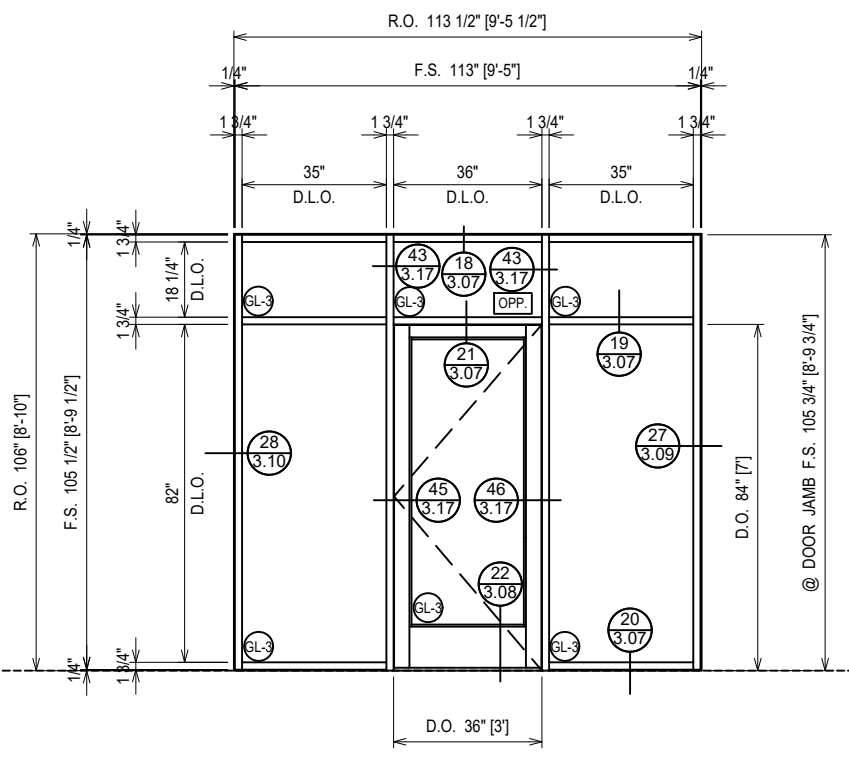
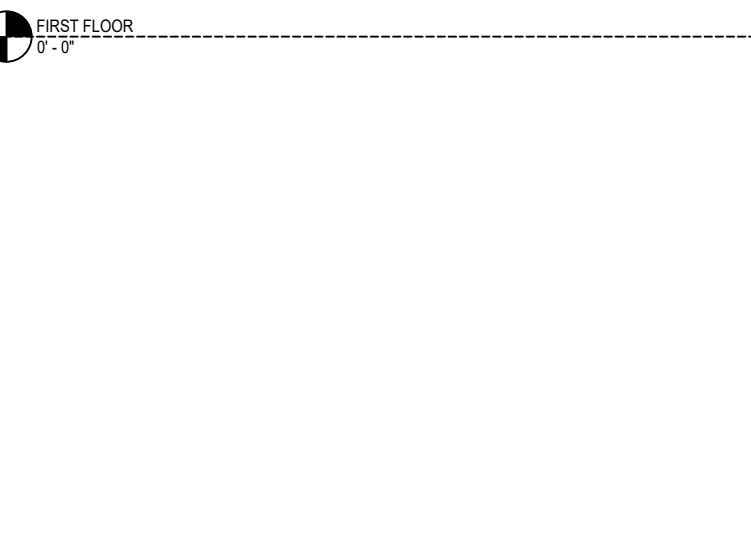
**GLASSCORP**  
 1930 HANAHAN RD.  
 NORTH CHARLESTON, SC 29406  
 P:843-494-0089

PROJECT:	BEACON BANK - INTERNATIONAL BLVD.
LOCATION:	5270 INTERNATIONAL BLVD. NORTH CHARLESTON, SC 29418

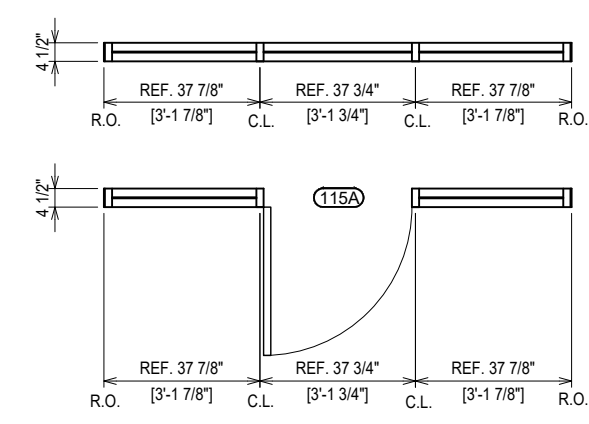
DRAWN BY:	DATE:
BG	10/06/22
CHECKED BY:	DATE:
SG	10/06/22
JOB NO.:	



**ELEVATION SF5A**  
 SCALE: 1/2" = 1'-0"  
 OLDCASTLE FG-2000 - 1 3/4" X 4 1/2"  
 INTERIOR STOREFRONT  
 1/4" TEMPERED GLASS (CENTER SET)  
 QUANTITY: 1



**ELEVATION SF6**  
 SCALE: 1/2" = 1'-0"  
 OLDCASTLE FG-2000 - 1 3/4" X 4 1/2"  
 INTERIOR STOREFRONT  
 1/4" TEMPERED GLASS (CENTER SET)  
 QUANTITY: 1



**ERECTOR / G.C. NOTE:**  
 ROUGH OPENING IS TO BE GUARANTEED  
 BY G.C. TO MATCH SHOP DRAWINGS

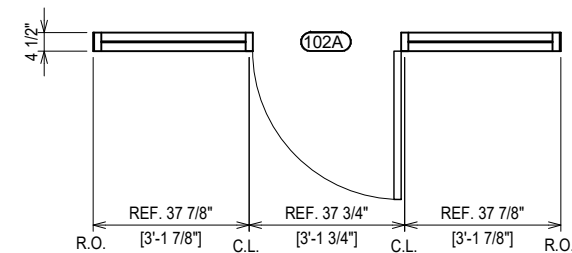
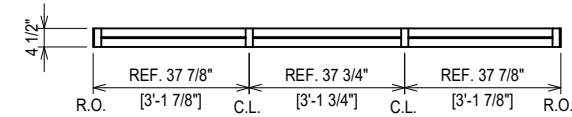
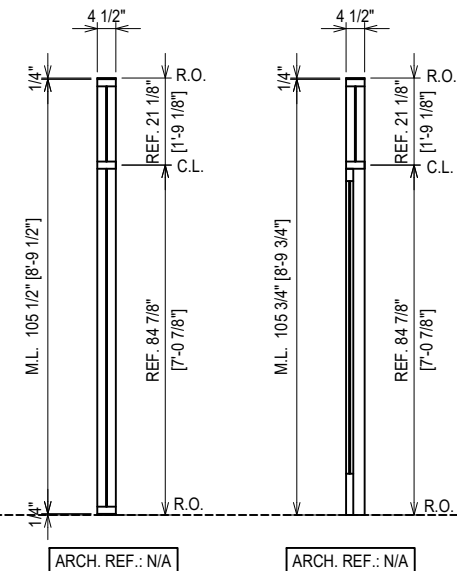
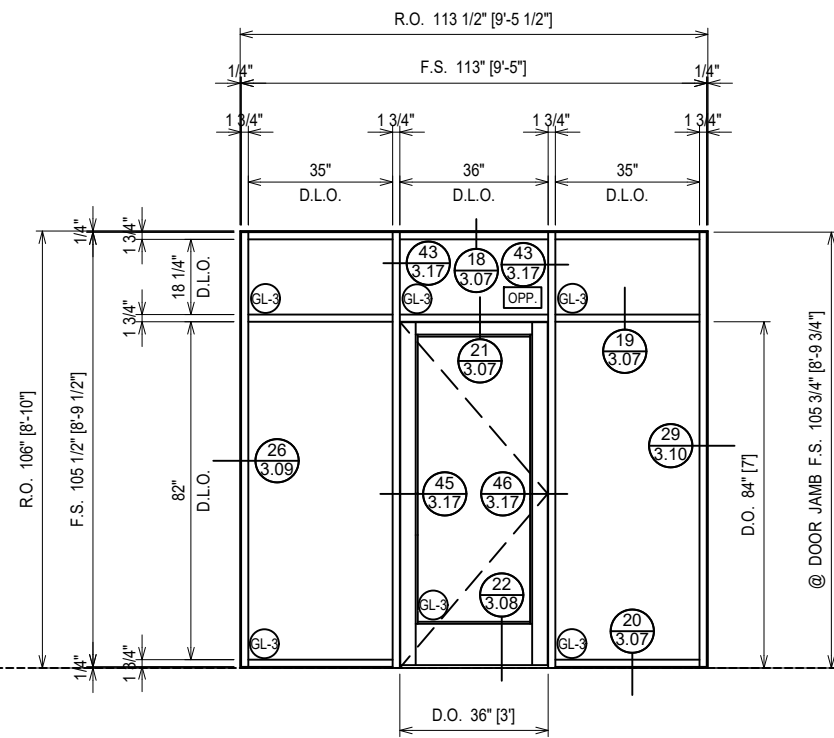
DATE	DESCRIPTION
10/06/22	1ST SUBMISSION
	NO
	DESCRIPTION
	DRAWING SUBMISSION

**GLASSCORP**  
 1930 HANAHAN RD.  
 NORTH CHARLESTON, SC 29406  
 P:843-494-0089

**PROJECT:** BEACON BANK - INTERNATIONAL BLVD.  
**LOCATION:** 5270 INTERNATIONAL BLVD.  
 NORTH CHARLESTON, SC 29418

<b>DRAWN BY:</b> BG	<b>DATE:</b> 10/06/22
<b>CHECKED BY:</b> SG	<b>DATE:</b> 10/06/22
<b>JOB NO.:</b>	





ARCH. REF.: N/A

FINISH: CLEAR ANODIZED

**ELEVATION SF6A**  
 SCALE: 1/2" = 1'-0"  
 OLDCASTLE FG-2000 - 1 3/4" X 4 1/2"  
 INTERIOR STOREFRONT  
 1/4" TEMPERED GLASS (CENTER SET)  
 QUANTITY: 1

DATE	10/06/22
DESCRIPTION	1ST SUBMISSION
NO	
DESCRIPTION	DRAWING SUBMISSION

**GLASSCORP**  
 1930 HANAHAN RD.  
 NORTH CHARLESTON, SC 29406  
 P:843-494-0089

PROJECT: BEACON BANK - INTERNATIONAL BLVD.  
 LOCATION: 5270 INTERNATIONAL BLVD.  
 NORTH CHARLESTON, SC 29418

DRAWN BY:	DATE:
BG	10/06/22
CHECKED BY:	DATE:
SG	10/06/22
JOB NO.:	

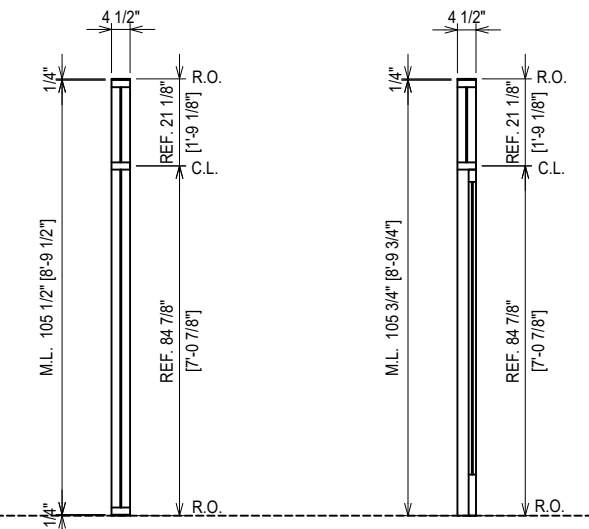
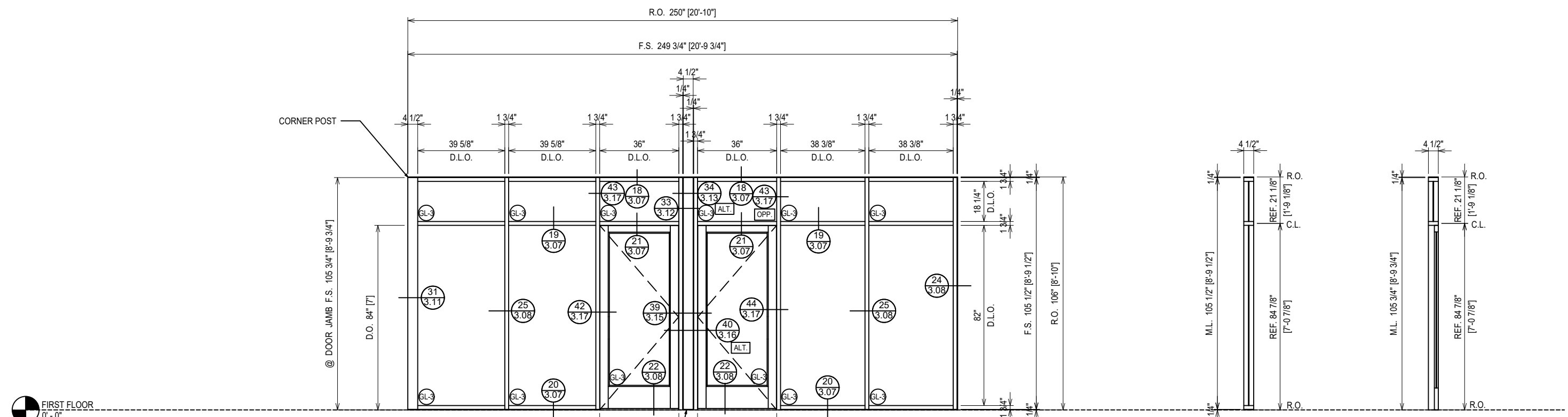
**ERECTOR / G.C. NOTE:**  
 ROUGH OPENING IS TO BE GUARANTEED  
 BY G.C. TO MATCH SHOP DRAWINGS

DATE	10/06/22
DESCRIPTION	1ST SUBMISSION
NO	
DESCRIPTION	DRAWING SUBMISSION

GLASSCORP  
 1930 HANAHAN RD.  
 NORTH CHARLESTON, SC 29406  
 P:843-494-0089

PROJECT: BEACON BANK - INTERNATIONAL BLVD.  
 LOCATION: 5270 INTERNATIONAL BLVD.  
 NORTH CHARLESTON, SC 29418

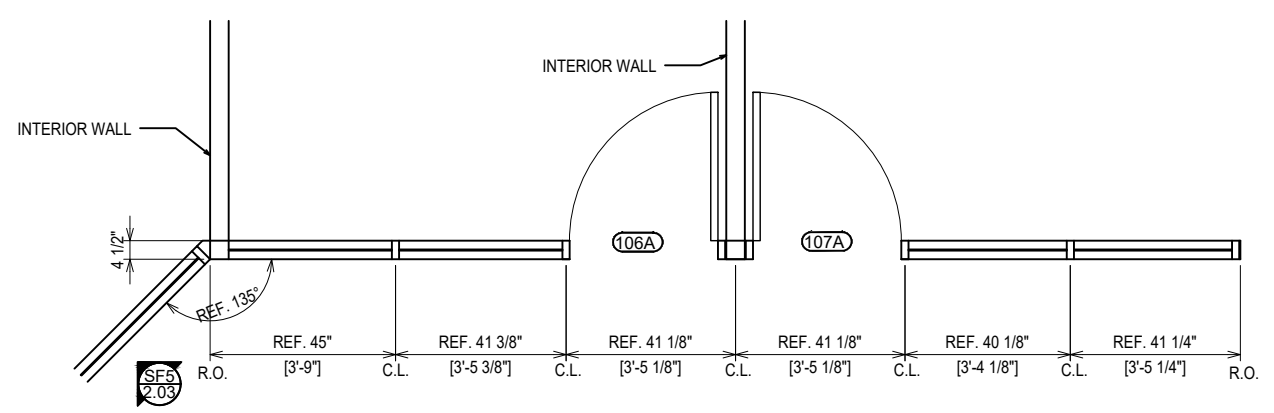
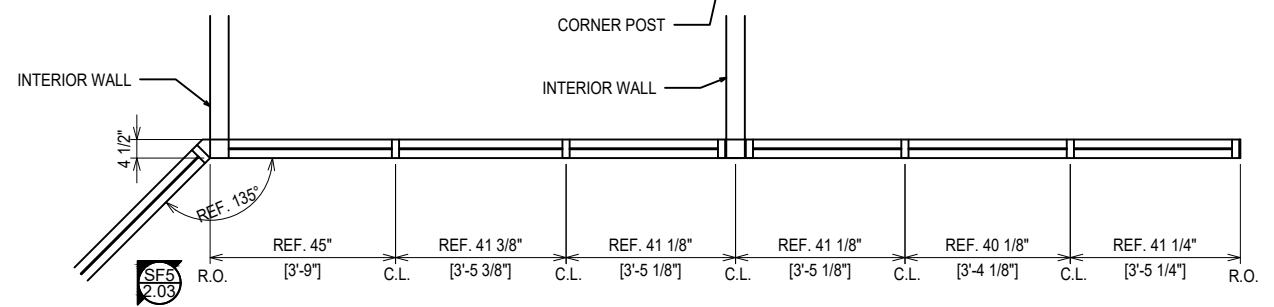
DRAWN BY: BG  
 DATE: 10/06/22  
 CHECKED BY: SG  
 DATE: 10/06/22  
 JOB NO.:



ARCH. REF.: N/A

FINISH: CLEAR ANODIZED

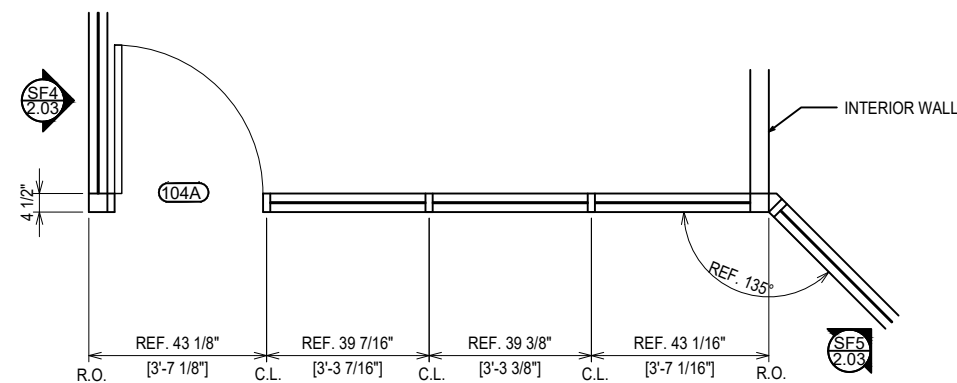
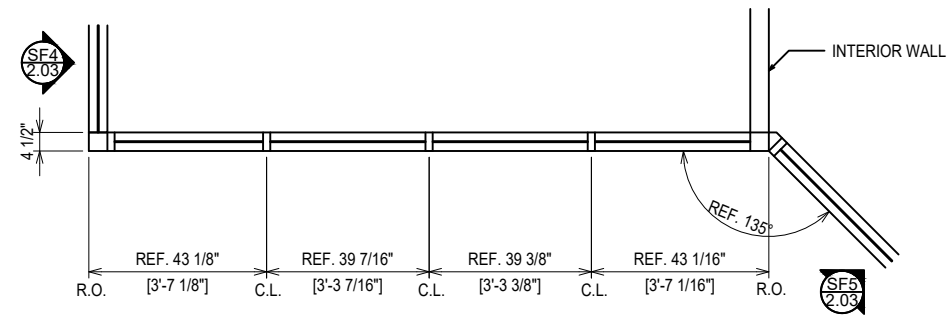
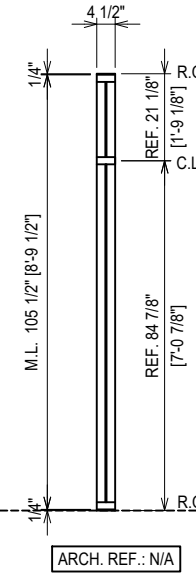
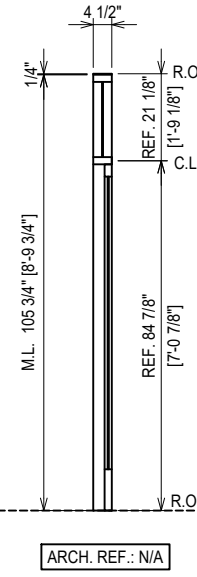
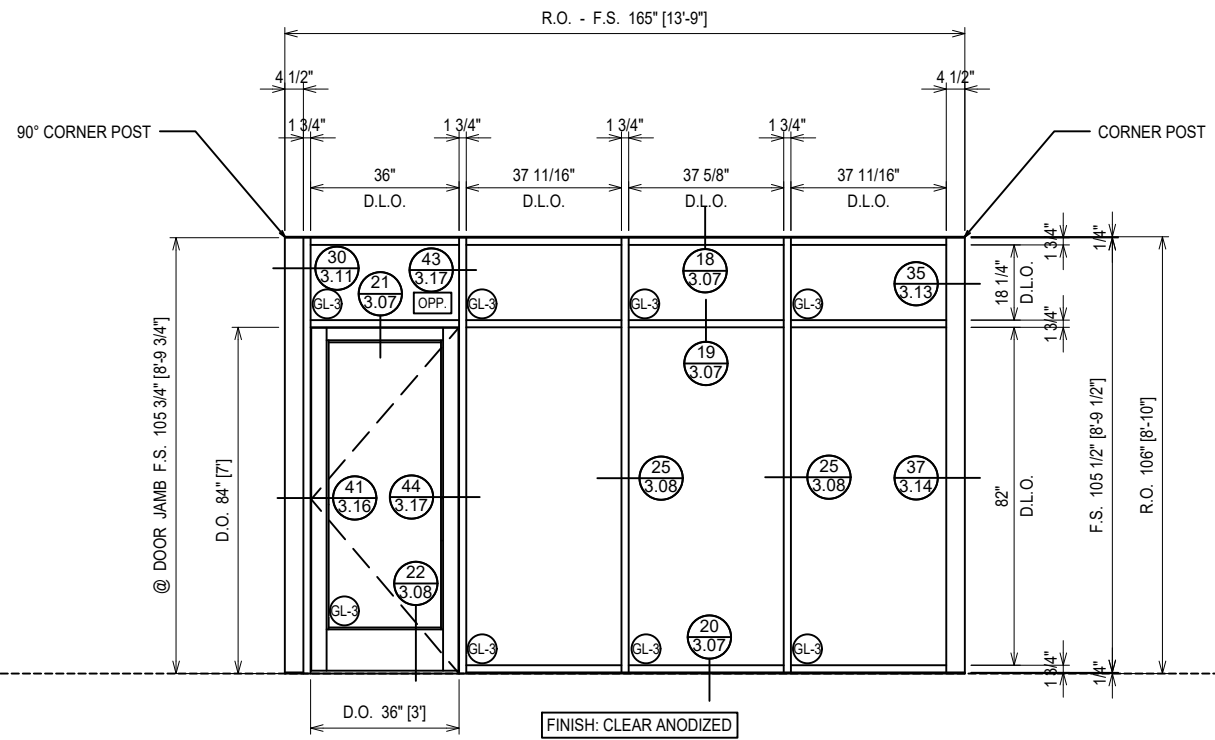
ELEVATION **SF7**  
 SCALE: 1/2" = 1'-0"  
 OLDCASTLE FG-2000 - 1 3/4" X 4 1/2"  
 INTERIOR STOREFRONT  
 1/4" TEMPERED GLASS (CENTER SET)  
 QUANTITY: 1



FIRST FLOOR  
 0'-0"

ERECTOR / G.C. NOTE:  
 ROUGH OPENING IS TO BE GUARANTEED  
 BY G.C. TO MATCH SHOP DRAWINGS

FIRST FLOOR  
0'-0"



ELEVATION SF8

SCALE: 1/2" = 1'-0"

OLDCASTLE FG-2000 - 1 3/4" X 4 1/2"

INTERIOR STOREFRONT

1/4" TEMPERED GLASS (CENTER SET)

QUANTITY: 1

ERECTOR / G.C. NOTE:  
ROUGH OPENING IS TO BE GUARANTEED  
BY G.C. TO MATCH SHOP DRAWINGS

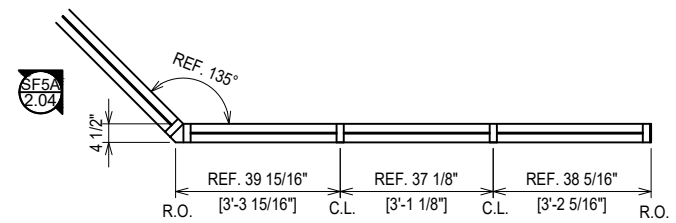
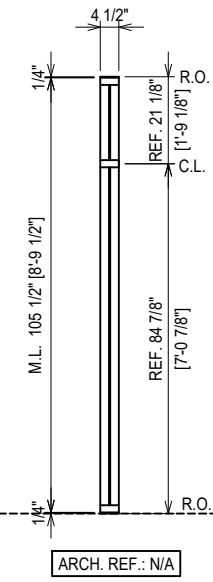
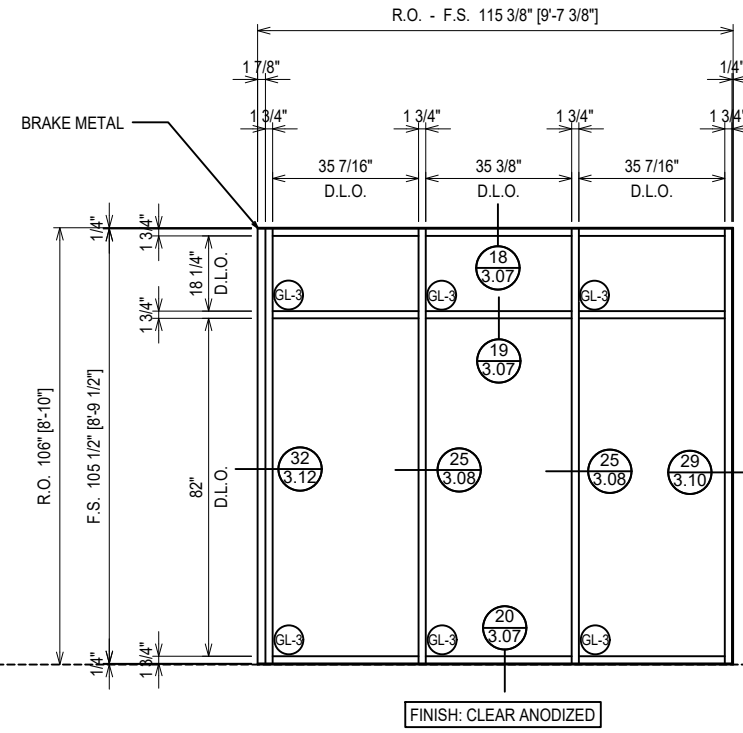
DATE	10/06/22
DESCRIPTION	DRAWING SUBMISSION
NO	

GLASSCORP  
1930 HANAHAN RD.  
NORTH CHARLESTON, SC 29406  
P:843-494-0089

PROJECT: BEACON BANK - INTERNATIONAL BLVD.  
LOCATION: 5270 INTERNATIONAL BLVD.  
NORTH CHARLESTON, SC 29418

DRAWN BY: DATE:  
BG 10/06/22  
CHECKED BY: DATE:  
SG 10/06/22  
JOB NO.:

FIRST FLOOR  
0'-0"



**ELEVATION** **SF9**  
 SCALE: 1/2" = 1'-0"  
 OLDCASTLE FG-2000 - 1 3/4" X 4 1/2"  
 INTERIOR STOREFRONT  
 1/4" TEMPERED GLASS (CENTER SET)  
 QUANTITY: 1

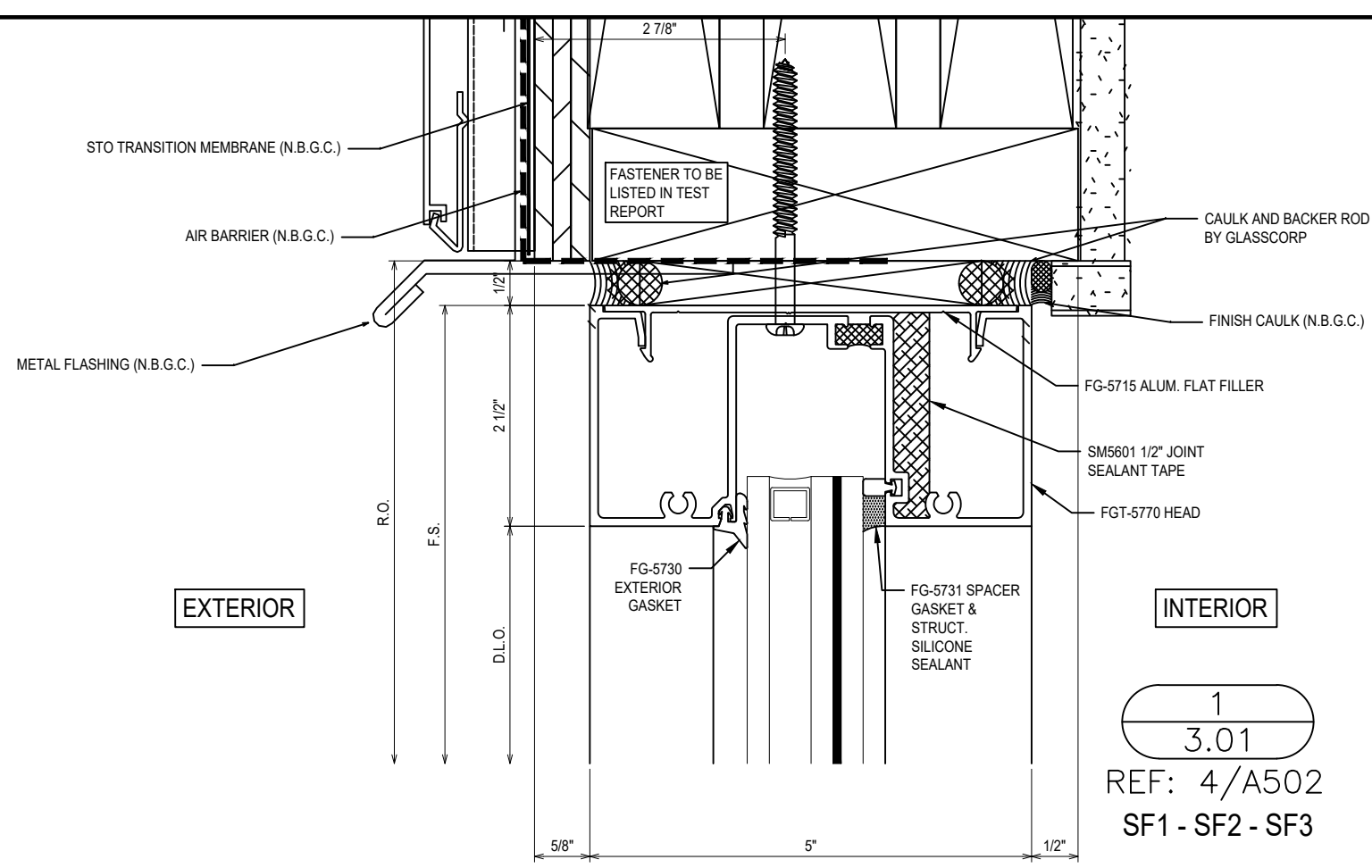
DATE	10/06/22
1ST SUBMISSION	
NO	
DESCRIPTION	
DRAWING SUBMISSION	

**GLASSCORP**  
 1930 HANAHAN RD.  
 NORTH CHARLESTON, SC 29406  
 P:843-494-0089

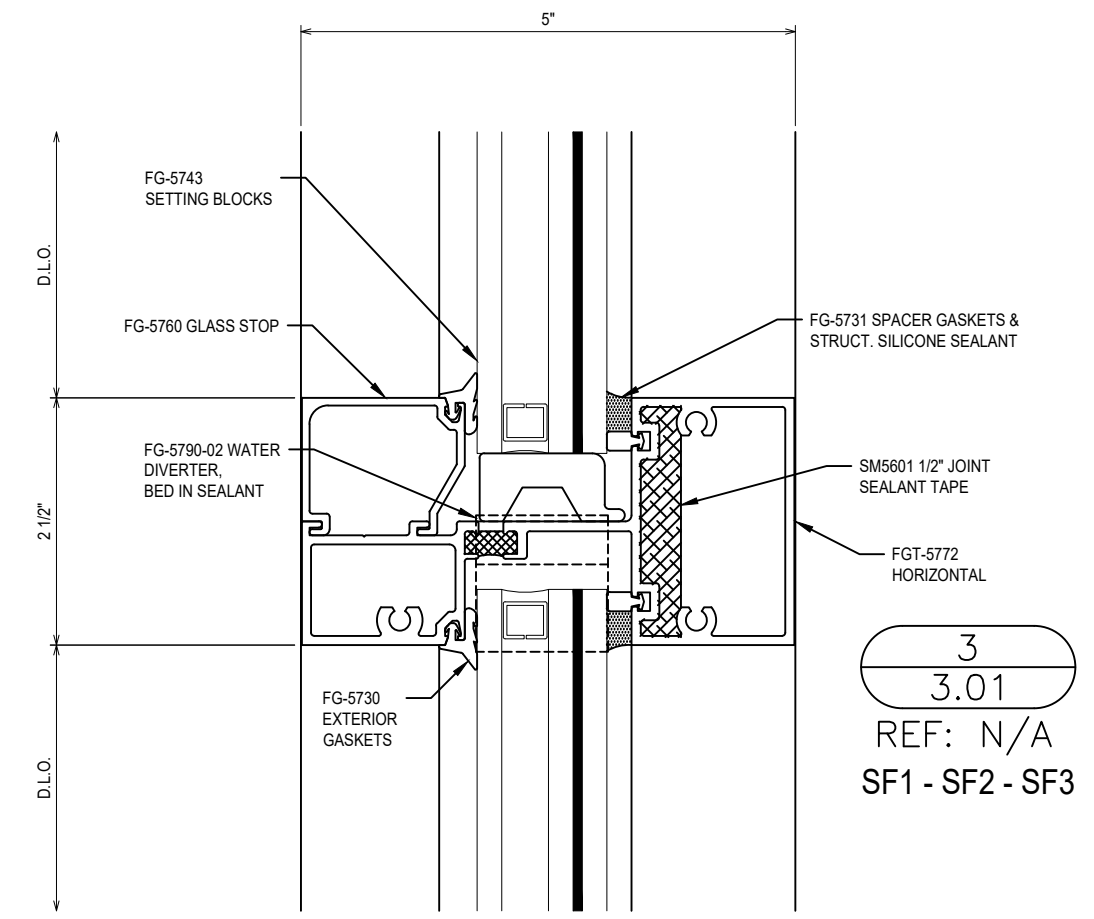
PROJECT: BEACON BANK - INTERNATIONAL BLVD.  
 LOCATION: 5270 INTERNATIONAL BLVD.  
 NORTH CHARLESTON, SC 29418

DRAWN BY:	DATE:
BG	10/06/22
CHECKED BY:	DATE:
SG	10/06/22
JOB NO.:	

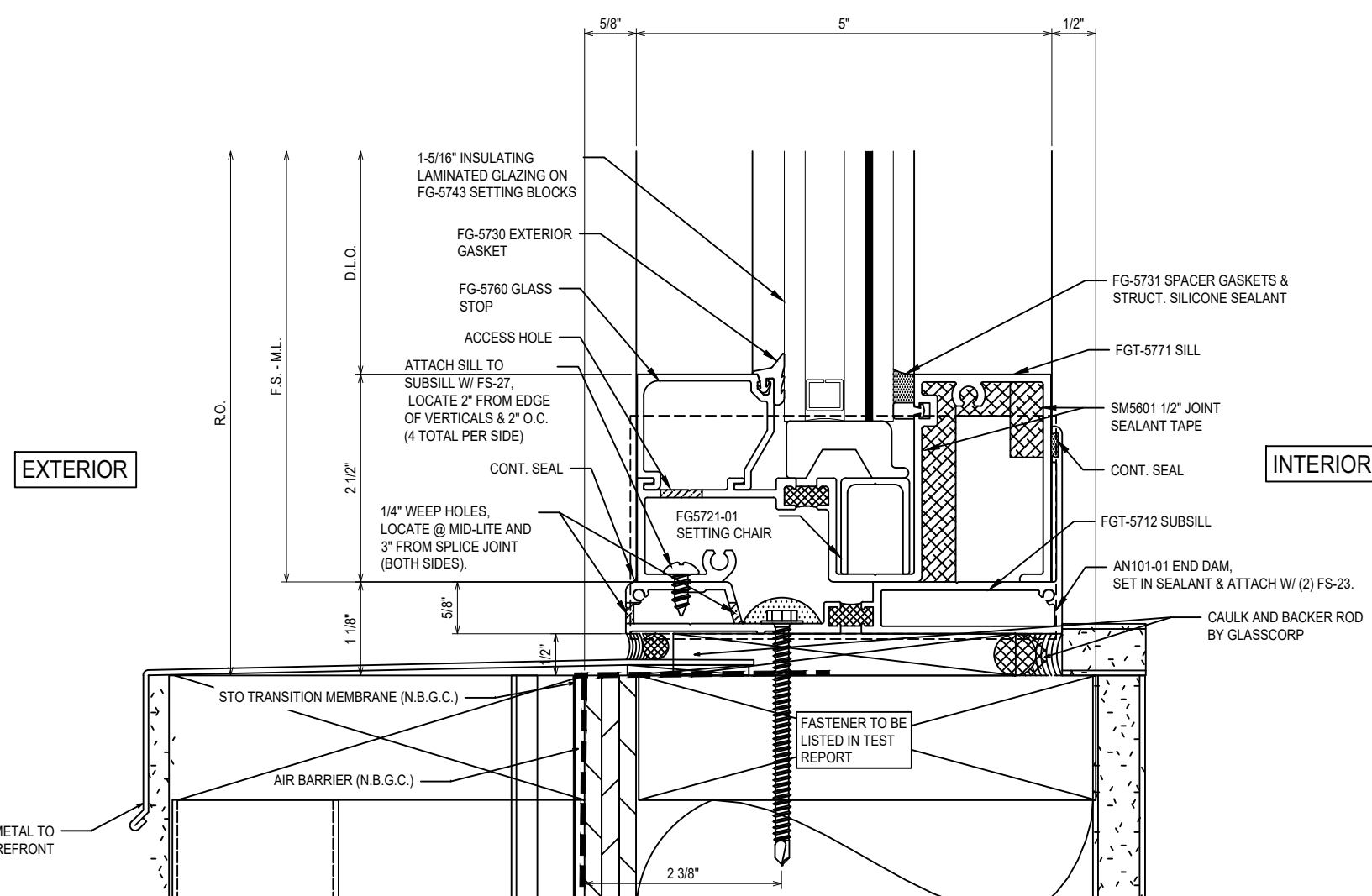
**ERECTOR / G.C. NOTE:**  
 ROUGH OPENING IS TO BE GUARANTEED  
 BY G.C. TO MATCH SHOP DRAWINGS



1  
3.01  
 REF: 4/A502  
 SF1 - SF2 - SF3



3  
3.01  
 REF: N/A  
 SF1 - SF2 - SF3



2  
3.01  
 REF: 6/A502  
 SF1 - SF2 - SF3

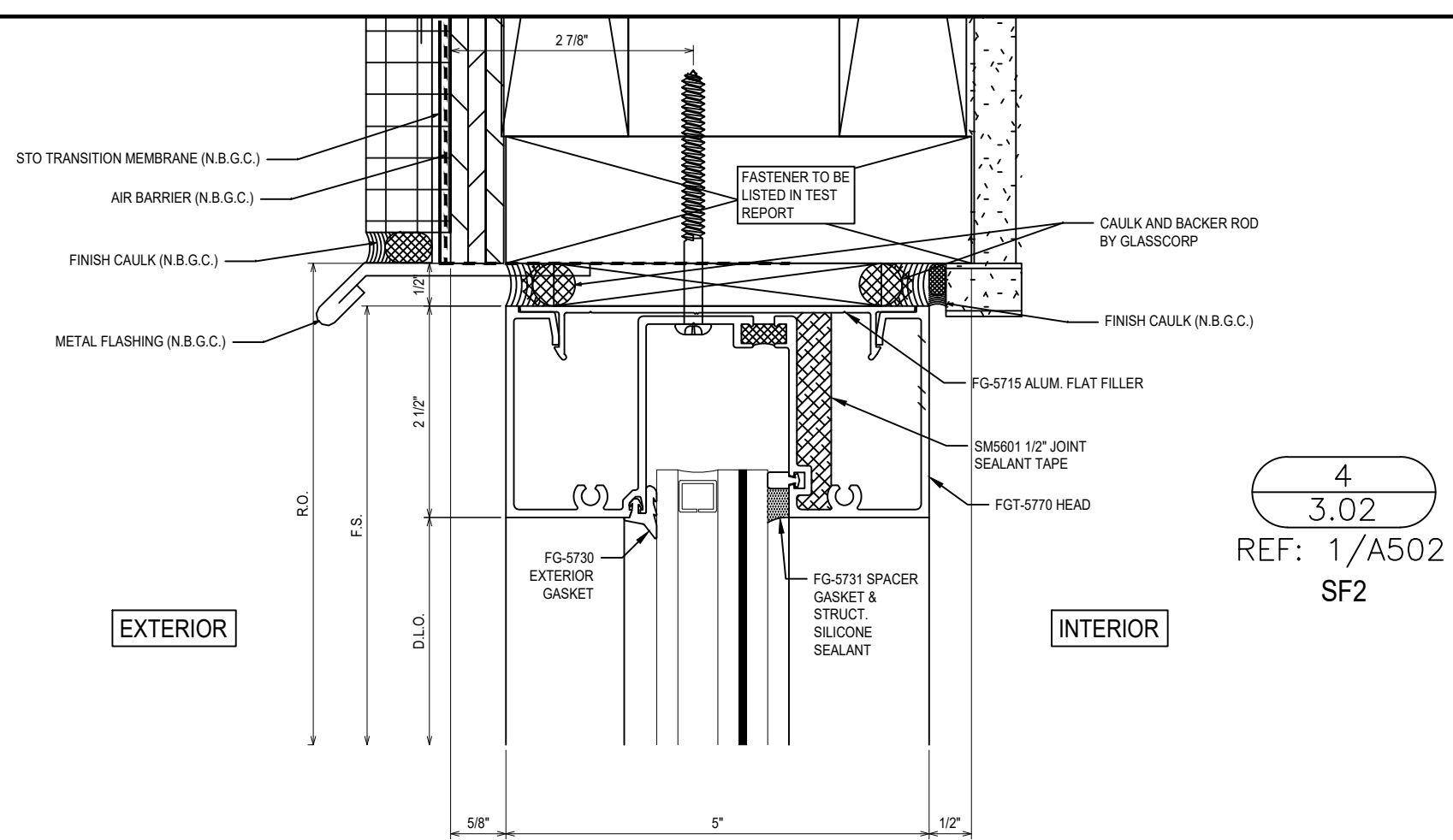
DATE	DESCRIPTION
10/06/22	1ST SUBMISSION
	NO
	DESCRIPTION
	DRAWING SUBMISSION

PROJECT: GLASSCORP  
 LOCATION: 1930 HANAHAN RD.  
 NORTH CHARLESTON, SC 29406  
 P:843-494-0089

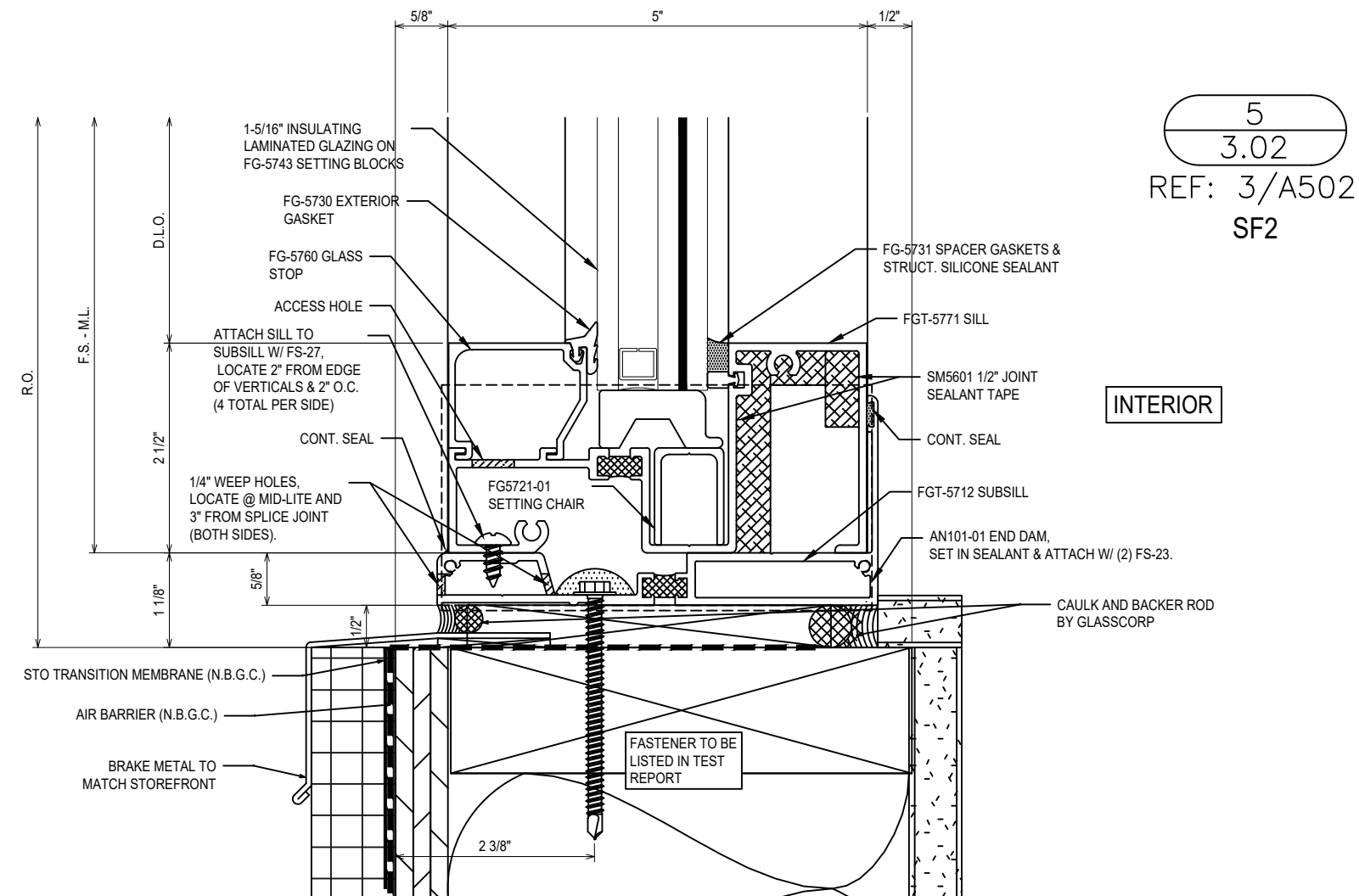
PROJECT: BEACON BANK - INTERNATIONAL BLVD.  
 LOCATION: 5270 INTERNATIONAL BLVD.  
 NORTH CHARLESTON, SC 29418

DRAWN BY:	DATE:
BG	10/06/22
CHECKED BY:	DATE:
SG	10/06/22
JOB NO.:	

3.01



4  
3.02  
REF: 1/A502  
SF2



5  
3.02  
REF: 3/A502  
SF2

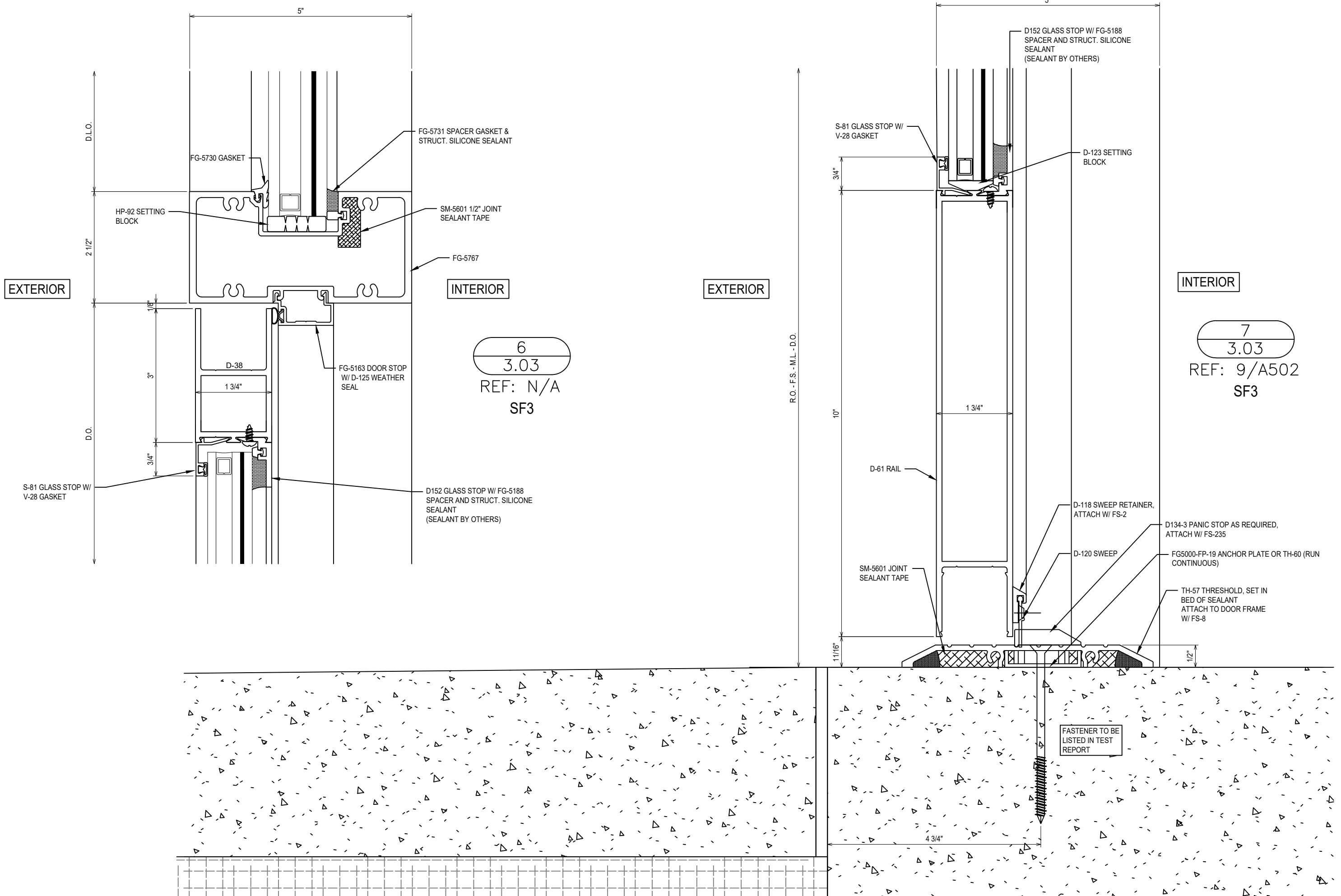
DATE	10/06/22
1ST SUBMISSION	
NO	
DESCRIPTION	DRAWING SUBMISSION

GLASSCORP  
1930 HANAHAN RD.  
NORTH CHARLESTON, SC 29406  
P:843-494-0089

PROJECT: BEACON BANK - INTERNATIONAL BLVD.  
LOCATION: 5270 INTERNATIONAL BLVD.  
NORTH CHARLESTON, SC 29418

DRAWN BY:	DATE:
BG	10/06/22
CHECKED BY:	DATE:
SG	10/06/22
JOB NO.:	

3.02



6  
3.03  
REF: N/A  
SF3

7  
3.03  
REF: 9/A502  
SF3

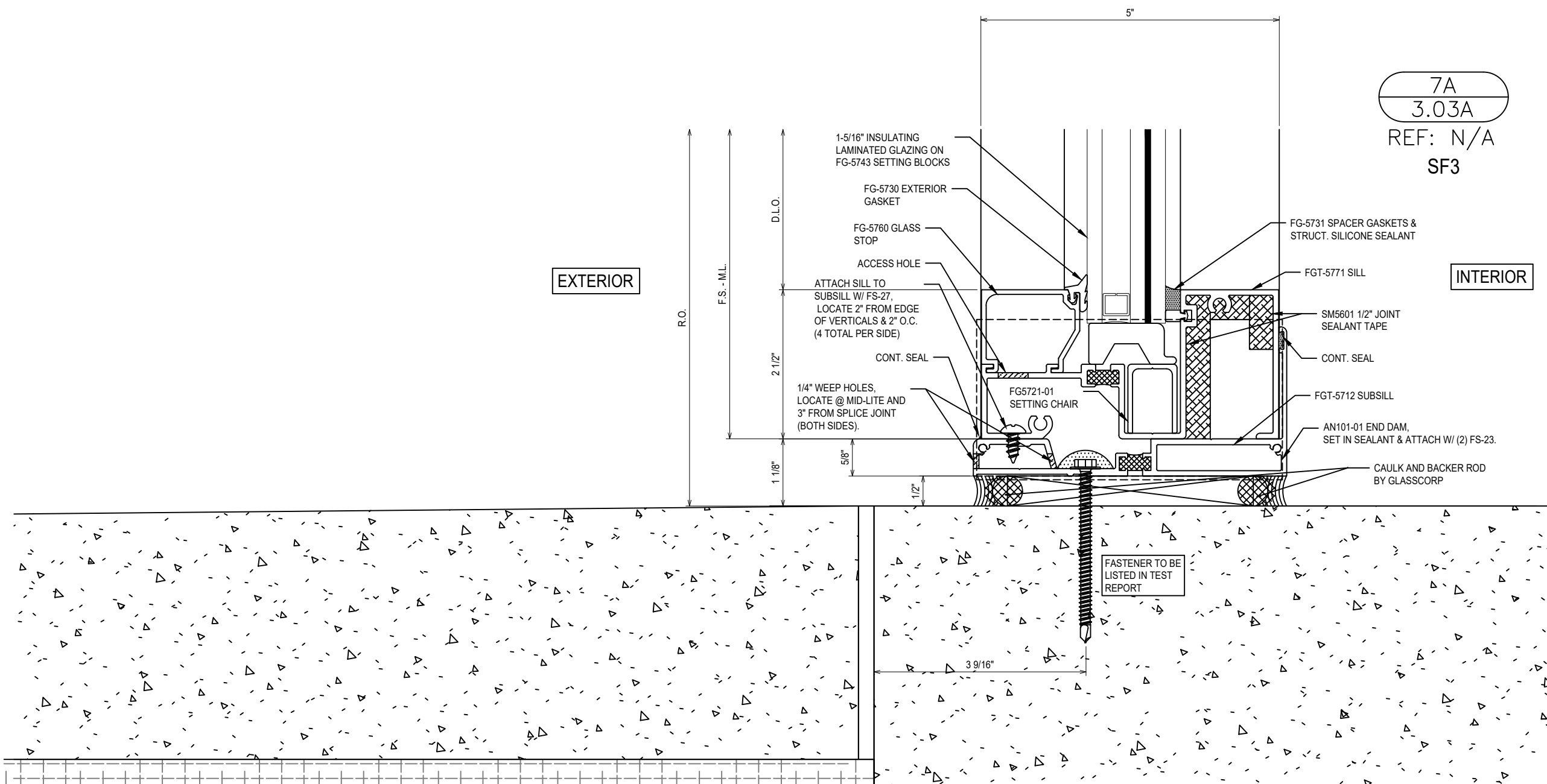
DATE	DESCRIPTION
10/06/22	1ST SUBMISSION
	NO
	DESCRIPTION
	DRAWING SUBMISSION

GLASSCORP  
1930 HANAHAN RD.  
NORTH CHARLESTON, SC 29406  
P:843-494-0089

PROJECT: BEACON BANK - INTERNATIONAL BLVD.  
LOCATION: 5270 INTERNATIONAL BLVD.  
NORTH CHARLESTON, SC 29418

DRAWN BY: DATE:  
BG 10/06/22  
CHECKED BY: DATE:  
SG 10/06/22  
JOB NO.:

3.03



7A  
3.03A  
REF: N/A  
SF3

DATE	10/06/22
1ST SUBMISSION	
NO	
DESCRIPTION	
DRAWING SUBMISSION	

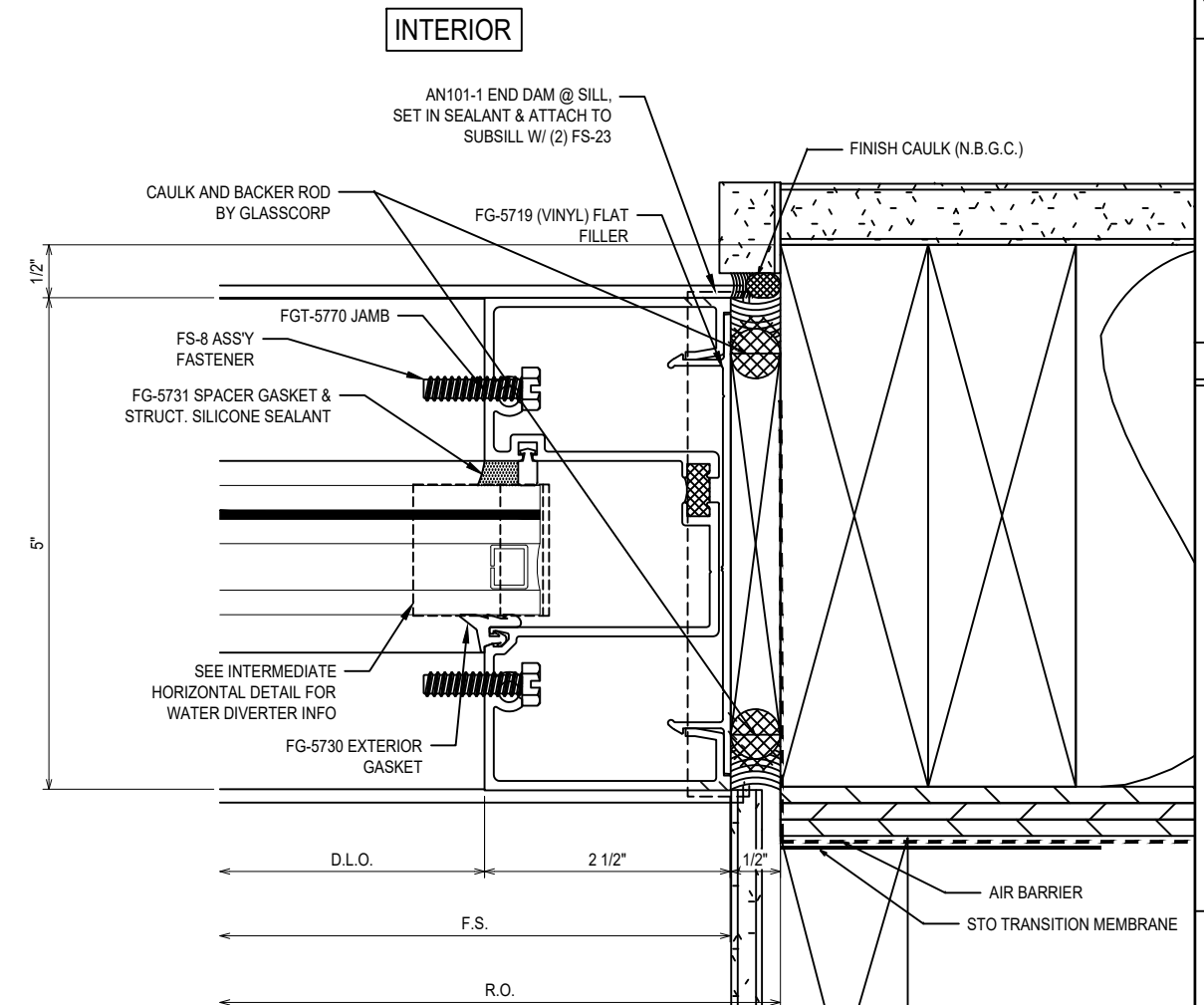
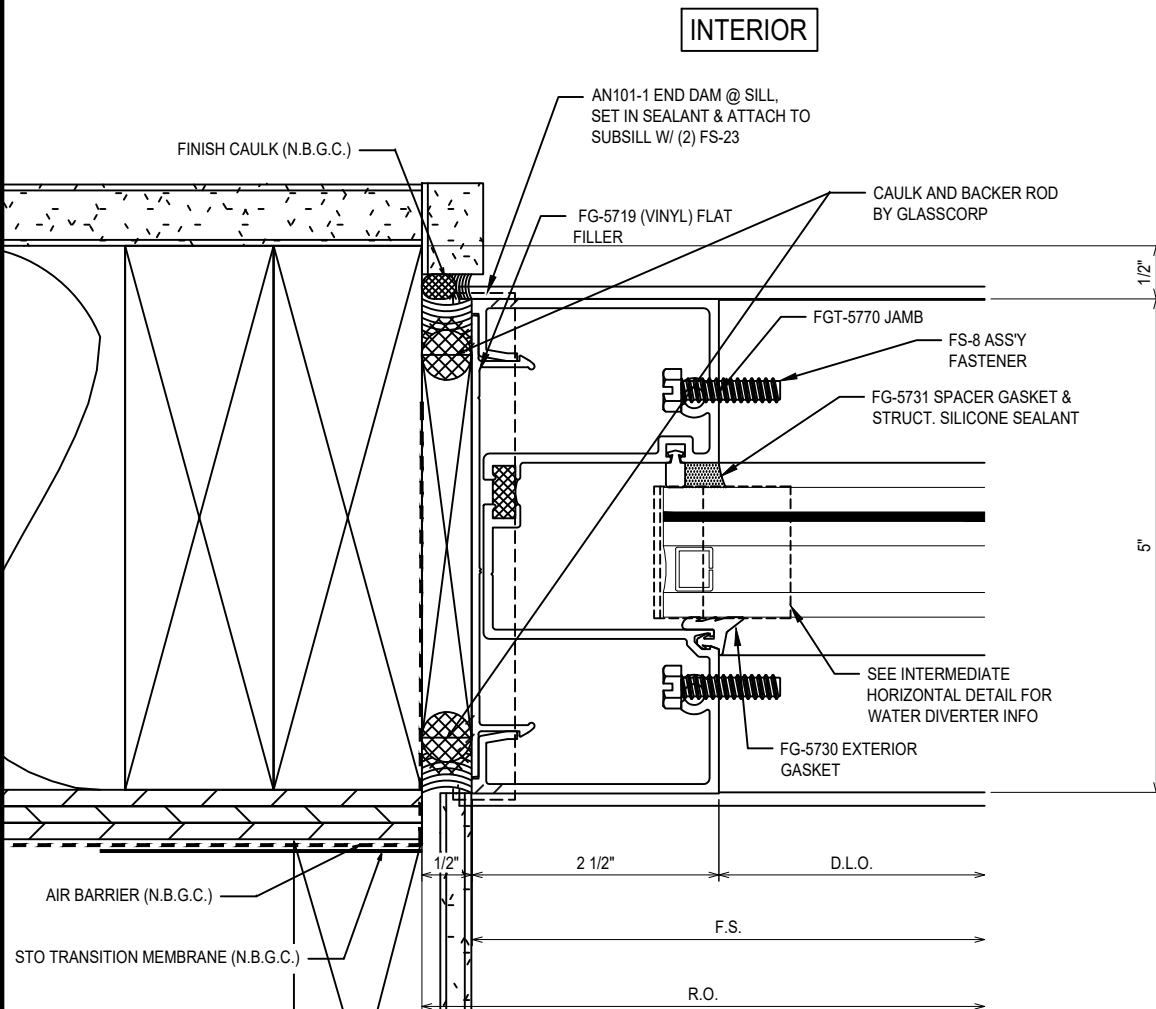
GLASSCORP  
1930 HANAHAN RD.  
NORTH CHARLESTON, SC 29406  
P:843-494-0089

PROJECT: BEACON BANK - INTERNATIONAL BLVD.  
LOCATION: 5270 INTERNATIONAL BLVD.  
NORTH CHARLESTON, SC 29418

DRAWN BY: DATE:  
BG 10/06/22  
CHECKED BY: DATE:  
SG 10/06/22  
JOB NO.:

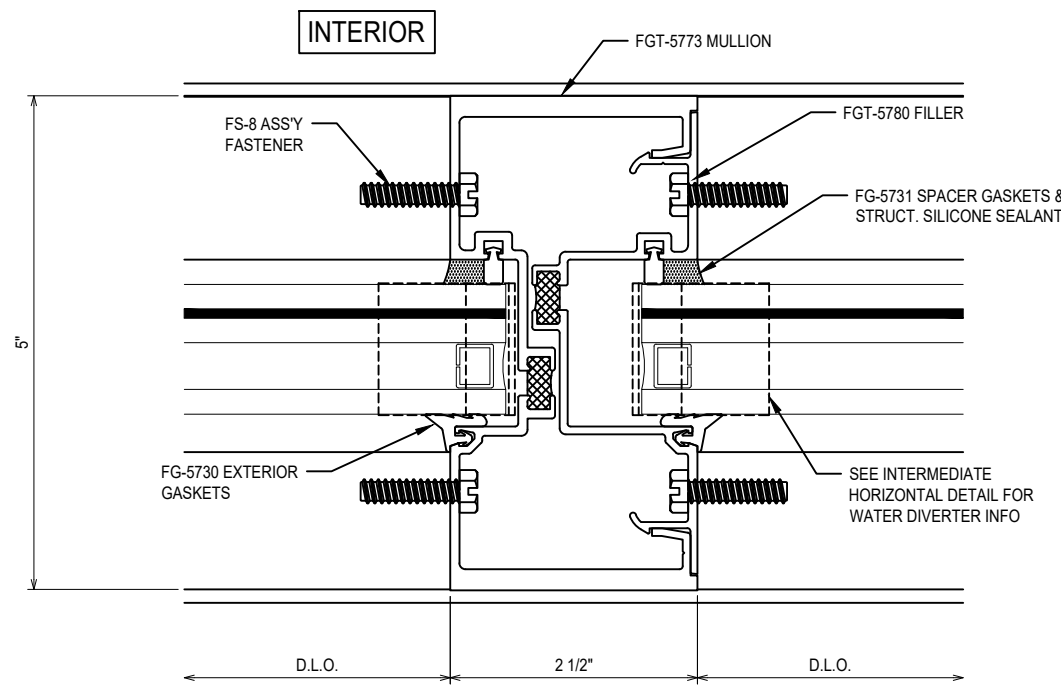
3.03A





**EXTERIOR**

8  
3.04  
REF: 5/A502  
SF1 - SF2 - SF3



**EXTERIOR**

10  
3.04  
REF: 5/A502  
SF1 - SF2 - SF3

**EXTERIOR**

9  
3.04  
REF: N/A  
SF3

DATE	10/06/22
1ST SUBMISSION	
NO	
DESCRIPTION	
DRAWING SUBMISSION	
<b>GLASSCORP</b> 1930 HANAHAN RD. NORTH CHARLESTON, SC 29406 P:843-494-0089	
PROJECT:	BEACON BANK - INTERNATIONAL BLVD.
LOCATION:	5270 INTERNATIONAL BLVD. NORTH CHARLESTON, SC 29418
DRAWN BY:	BG
DATE:	10/06/22
CHECKED BY:	SG
DATE:	10/06/22
JOB NO.:	
3.04	

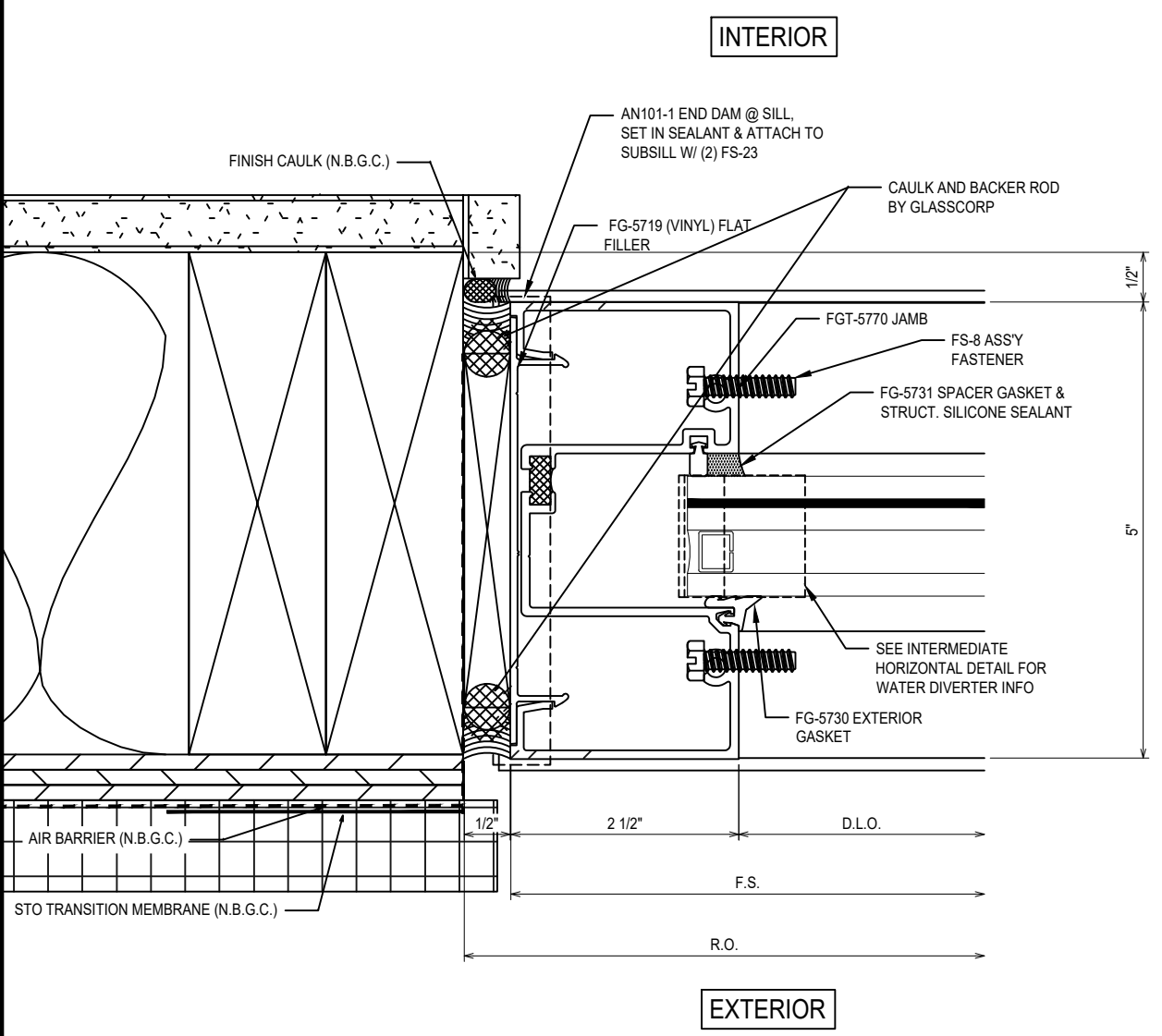
DATE	10/06/22
1ST SUBMISSION	
NO	
DESCRIPTION	
DRAWING SUBMISSION	

GLASSCORP  
 1930 HANAHAN RD.  
 NORTH CHARLESTON, SC 29406  
 P:843-494-0089

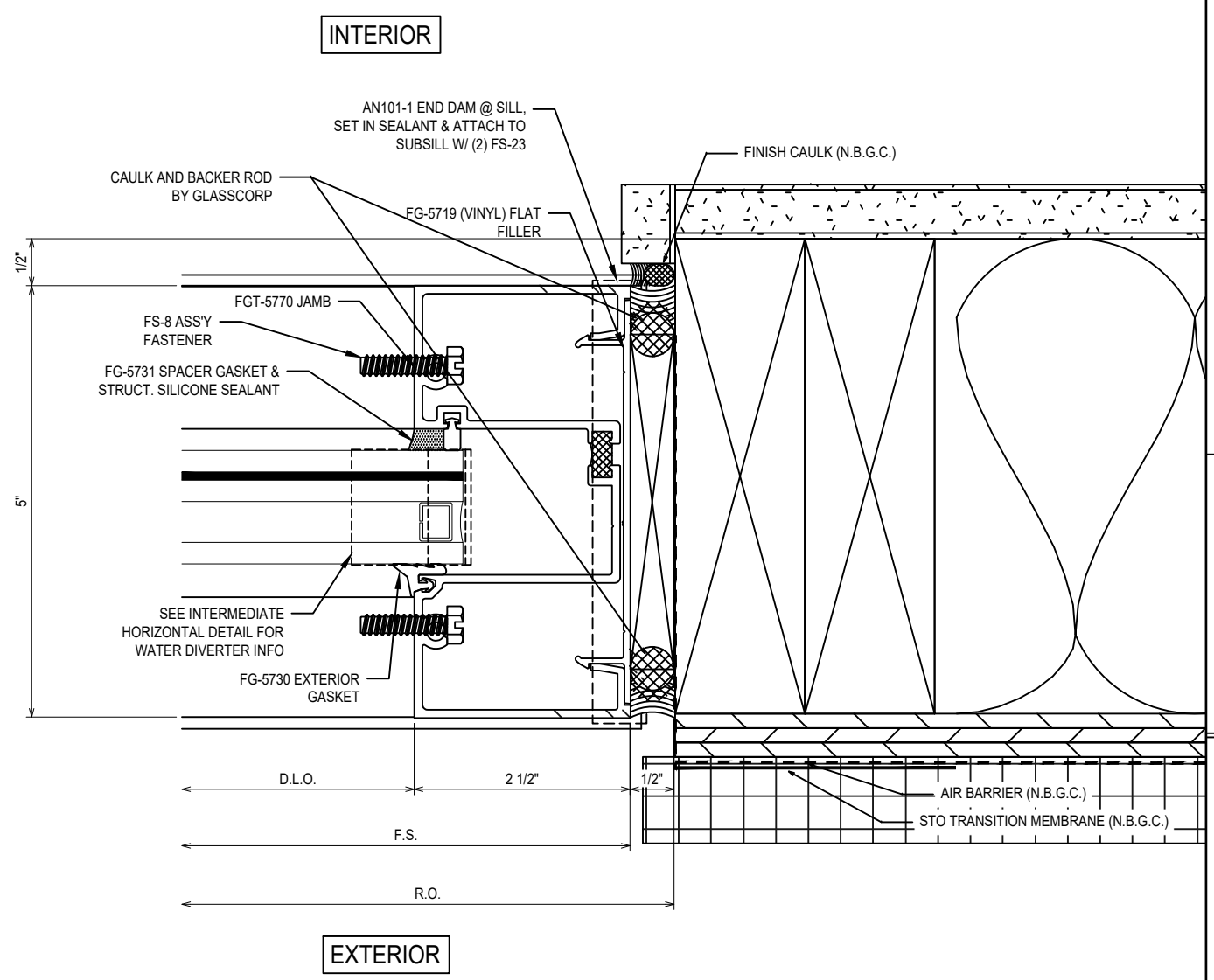
PROJECT: BEACON BANK - INTERNATIONAL BLVD.  
 LOCATION: 5270 INTERNATIONAL BLVD.  
 NORTH CHARLESTON, SC 29418

DRAWN BY: DATE:  
 BG 10/06/22  
 CHECKED BY: DATE:  
 SG 10/06/22  
 JOB NO.:

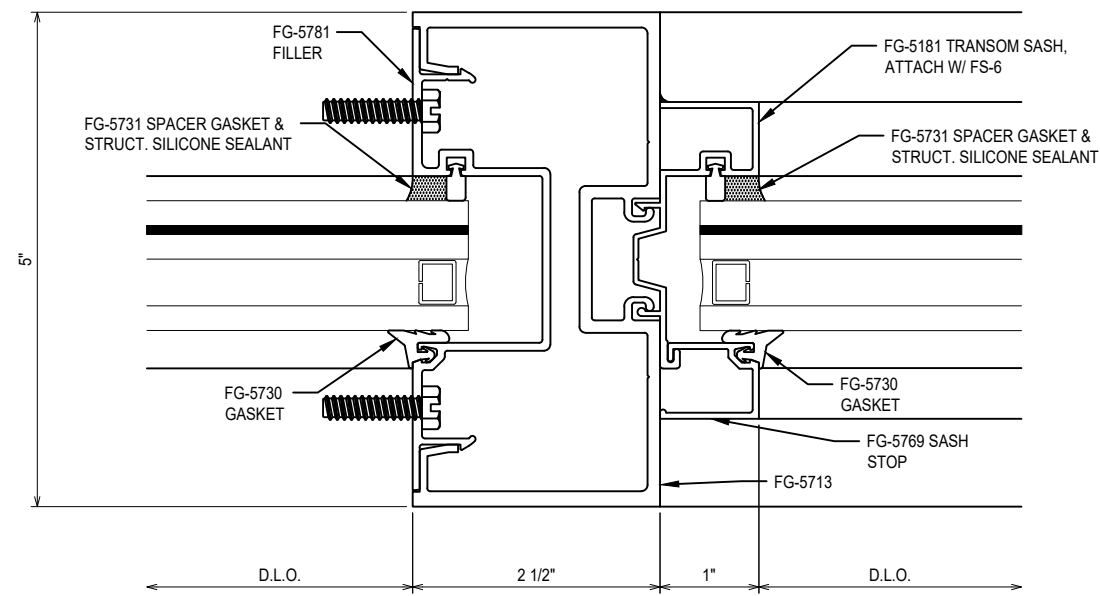
3.05



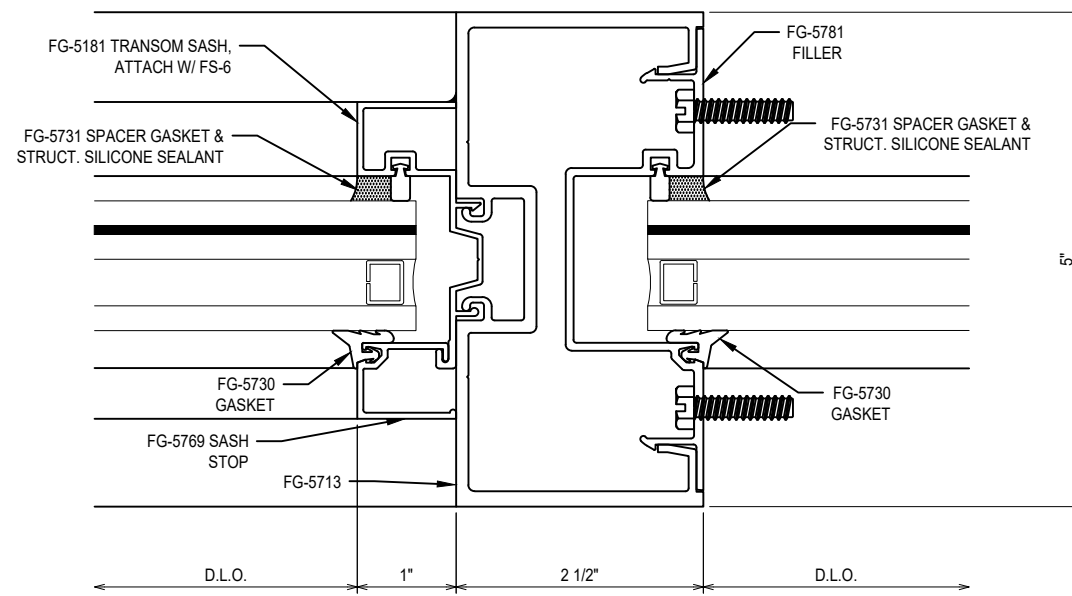
11  
 3.05  
 REF: 2/A502  
 SF2



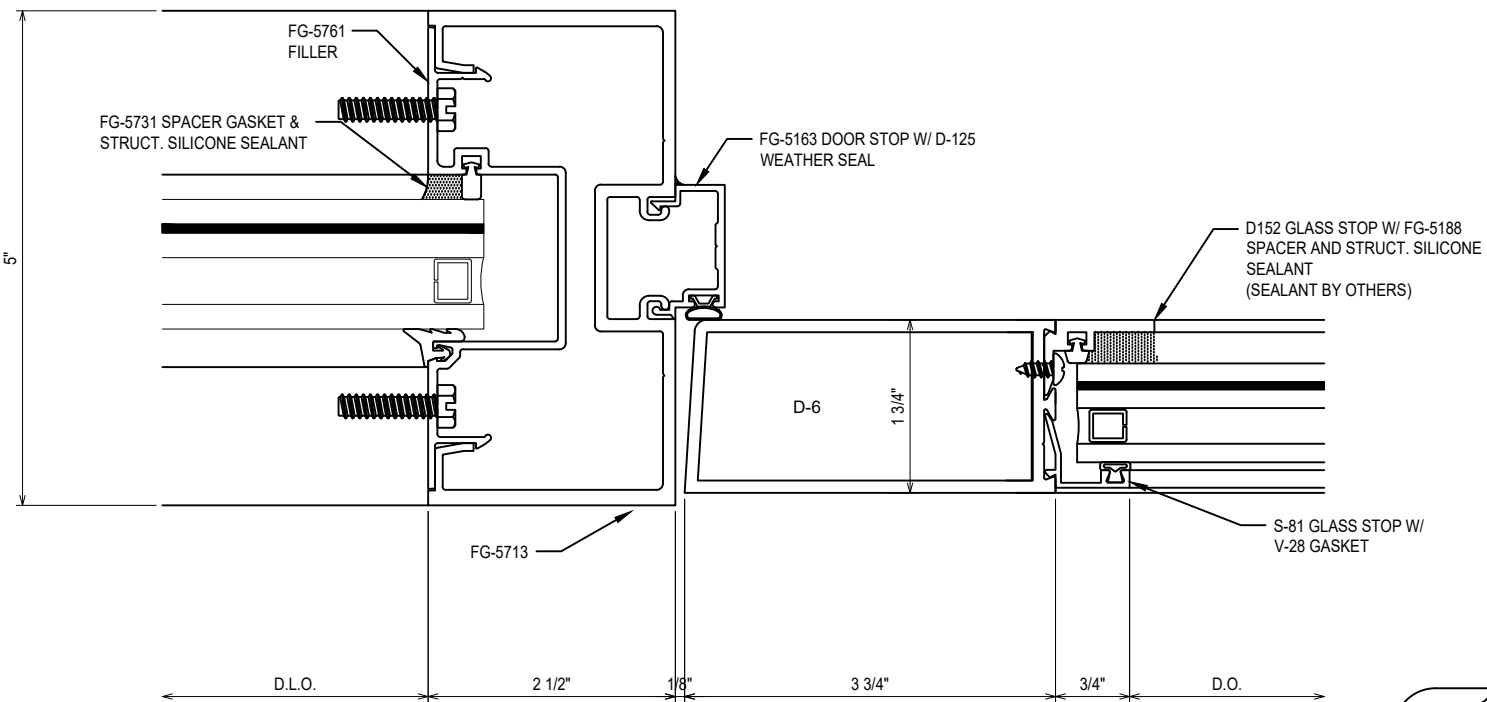
12  
 3.05  
 REF: 2/A502  
 SF2



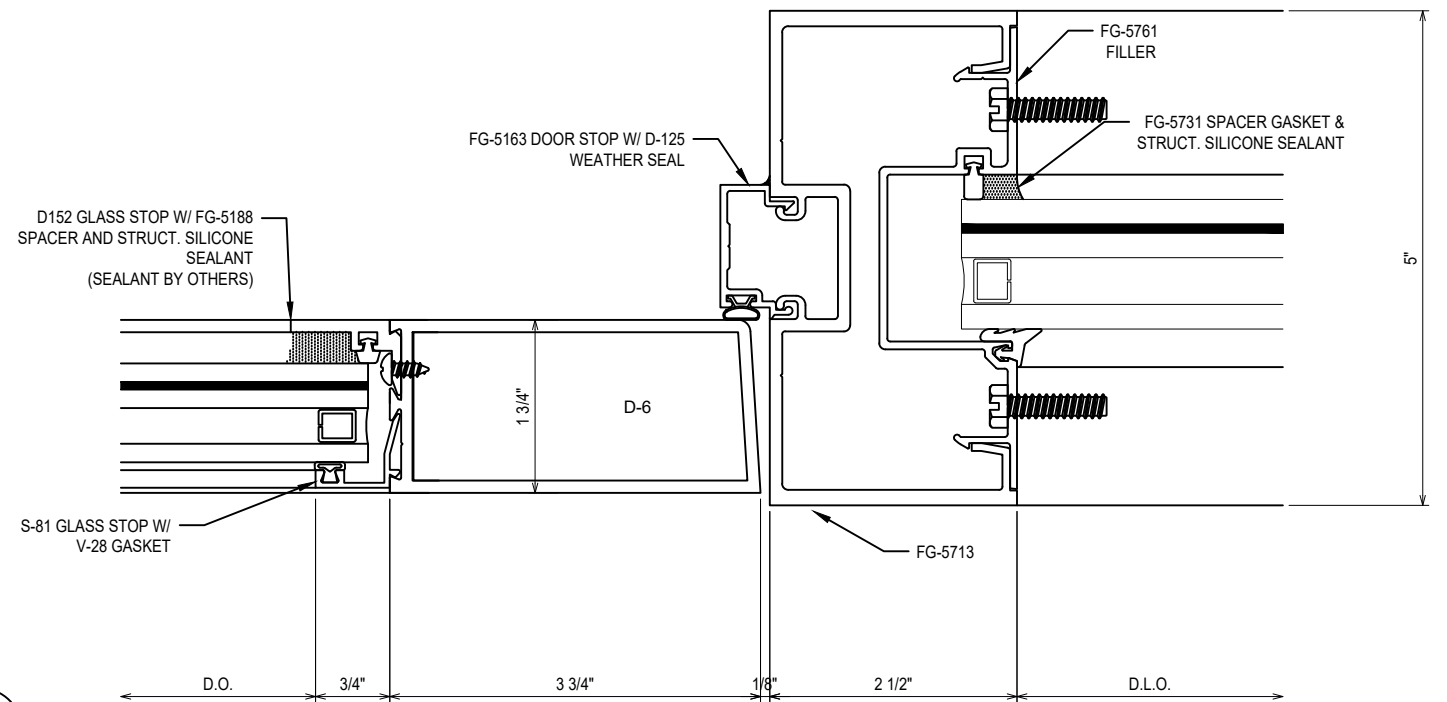
13  
3.06  
REF: N/A  
SF3



14  
3.06  
REF: N/A  
SF3

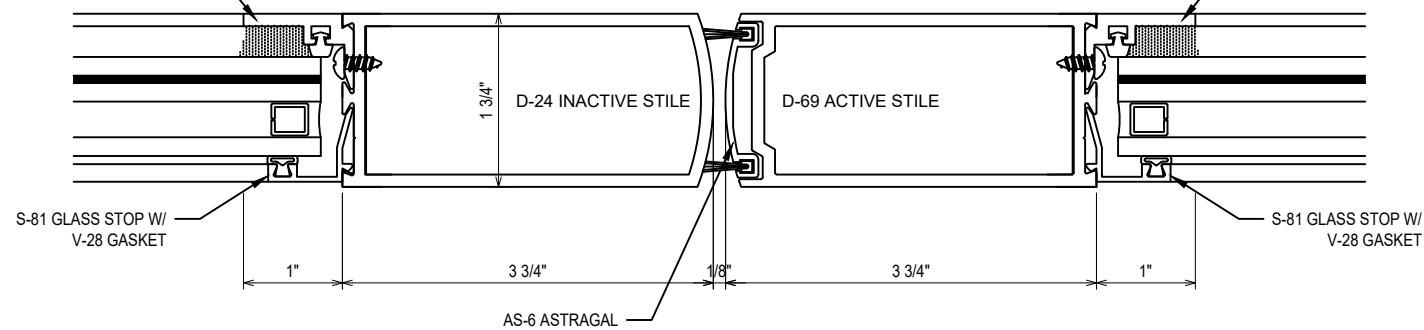


15  
3.06  
REF: N/A  
SF3



16  
3.06  
REF: N/A  
SF3

D152 GLASS STOP W/ FG-5188  
SPACER AND STRUCT. SILICONE  
SEALANT  
(SEALANT BY OTHERS)



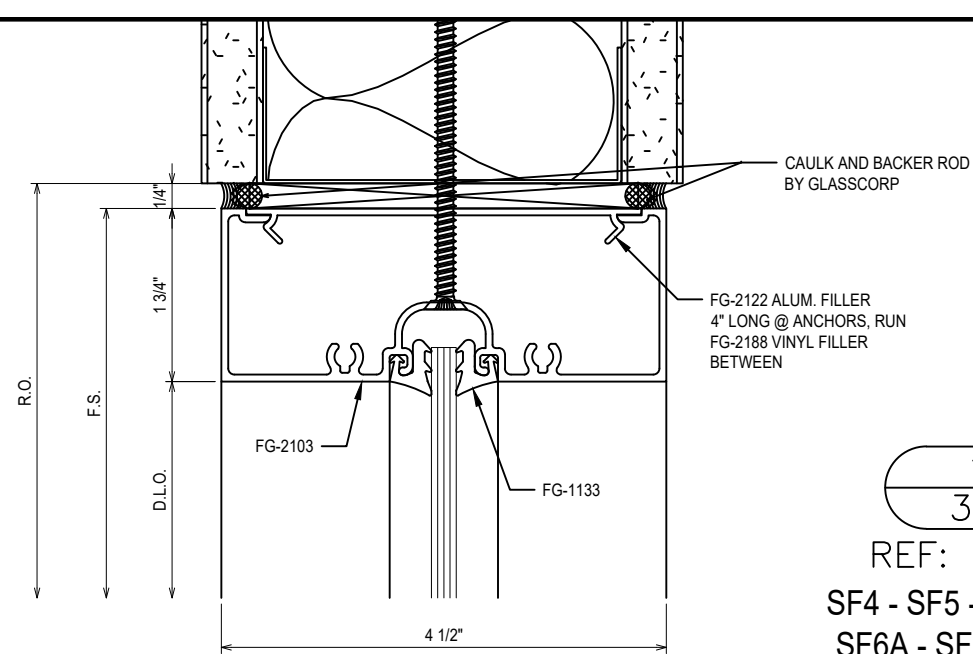
17  
3.06  
REF: N/A  
SF3

DATE	10/06/22
1ST SUBMISSION	
NO	
DESCRIPTION	
DRAWING SUBMISSION	

GLASSCORP  
1930 HANAHAN RD.  
NORTH CHARLESTON, SC 29406  
P:843-494-0089

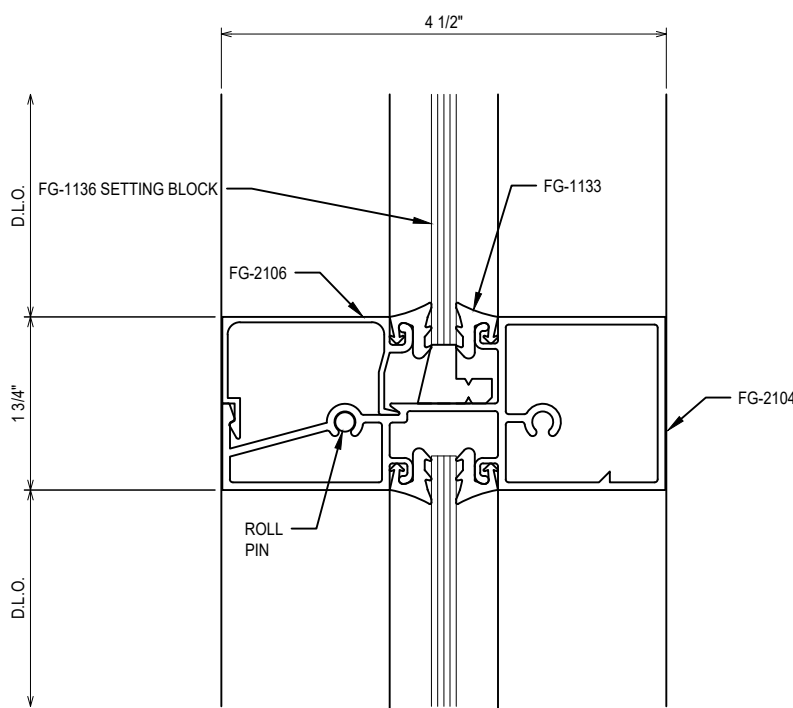
PROJECT:	BEACON BANK - INTERNATIONAL BLVD.
LOCATION:	5270 INTERNATIONAL BLVD. NORTH CHARLESTON, SC 29418

DRAWN BY:	DATE:
BG	10/06/22
CHECKED BY:	DATE:
SG	10/06/22
JOB NO.:	



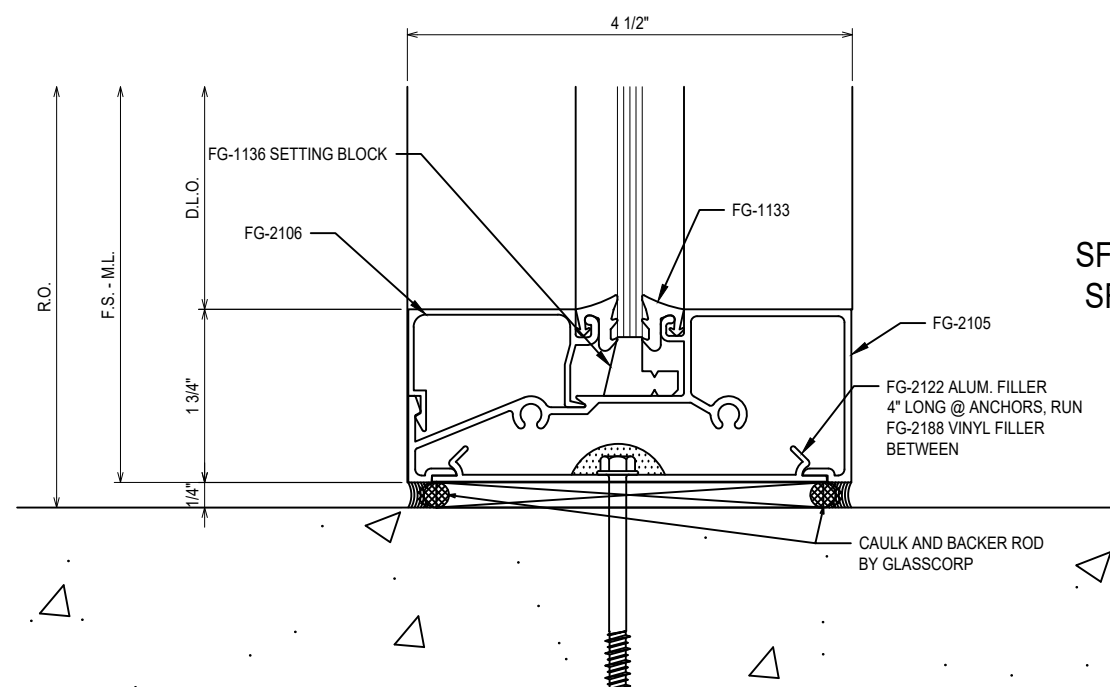
18  
3.07

REF: 2/A501  
SF4 - SF5 - SF5A - SF6 - SF6A - SF7 - SF8 - SF9



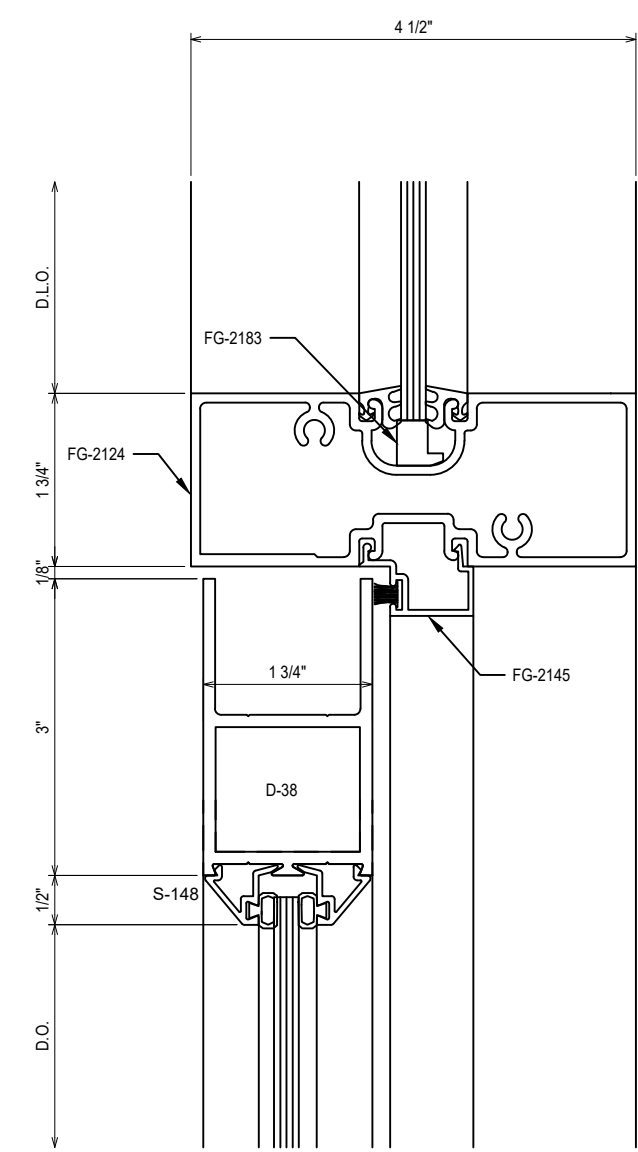
19  
3.07

REF: N/A  
SF4 - SF5 - SF5A - SF6 - SF6A - SF7 - SF8 - SF9



20  
3.07

REF: N/A  
SF4 - SF5 - SF5A - SF6 - SF6A - SF7 - SF8 - SF9



21  
3.07

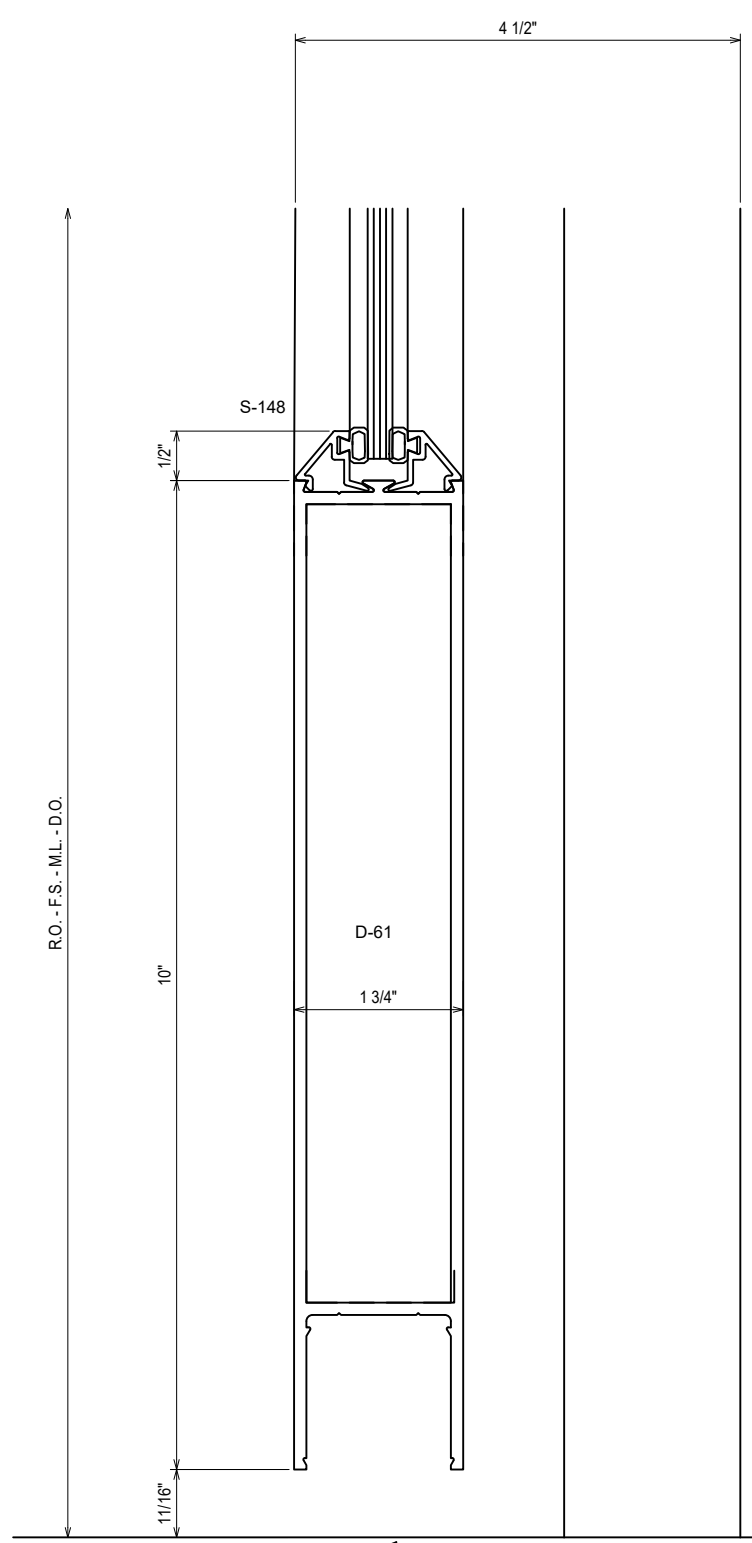
REF: N/A  
SF5 - SF5A - SF6 - SF6A - SF7 - SF8

DATE	10/06/22
1ST SUBMISSION	
NO	
DESCRIPTION	
DRAWING SUBMISSION	

PROJECT: GLASSCORP  
1930 HANAHAN RD.  
NORTH CHARLESTON, SC 29406  
P:843-494-0089

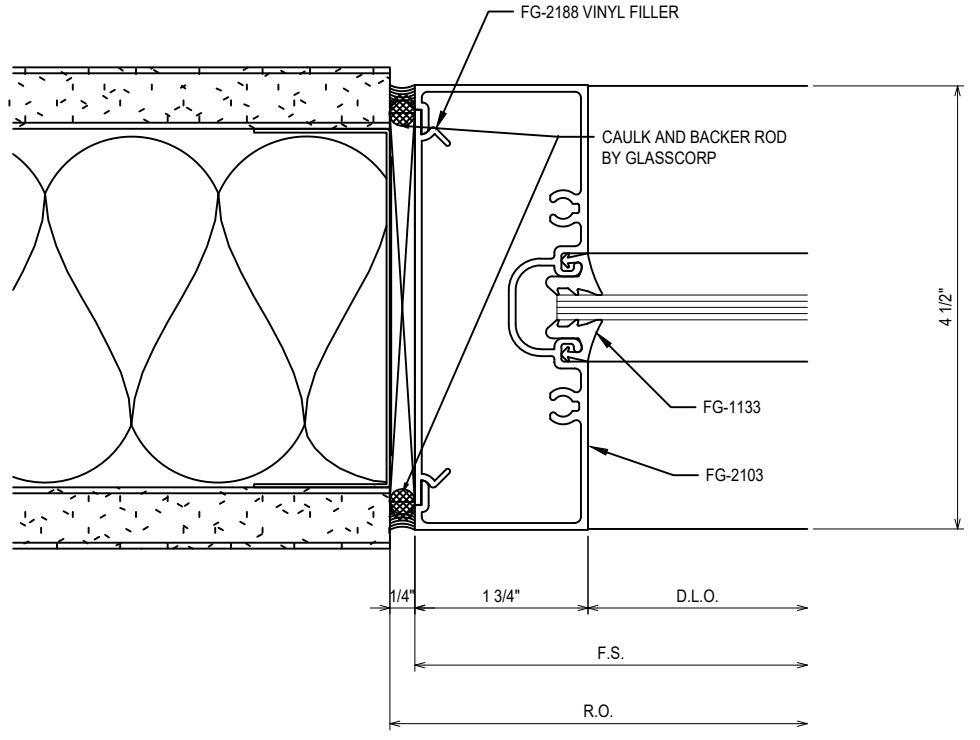
PROJECT: BEACON BANK - INTERNATIONAL BLVD.  
LOCATION: 5270 INTERNATIONAL BLVD.  
NORTH CHARLESTON, SC 29418

DRAWN BY: BG  
DATE: 10/06/22  
CHECKED BY: SG  
DATE: 10/06/22  
JOB NO.:

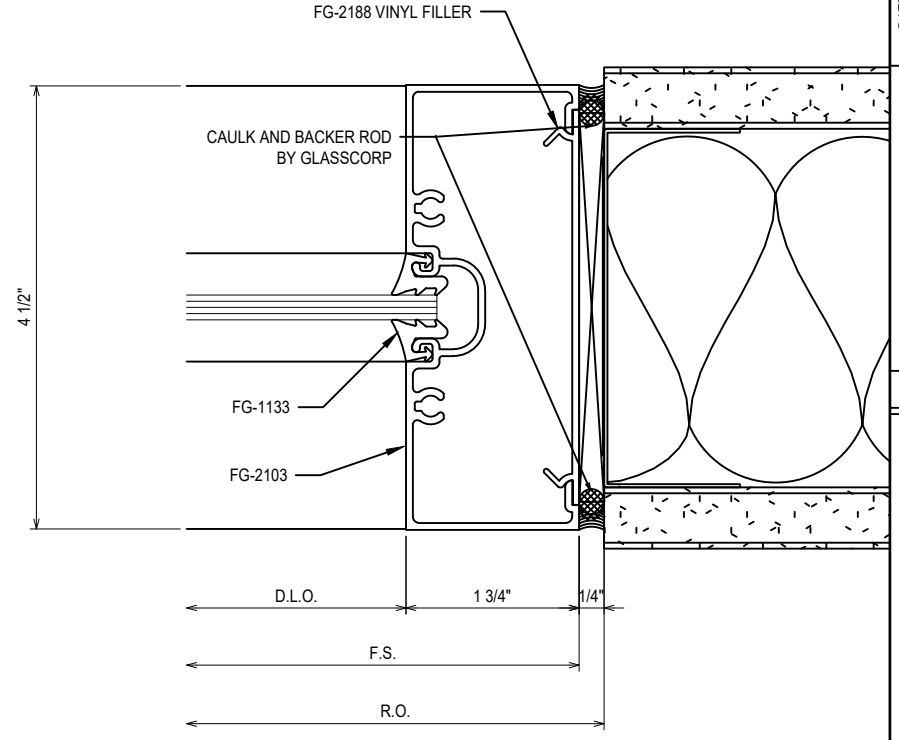


R.O. - F.S. - M.L. - D.O.

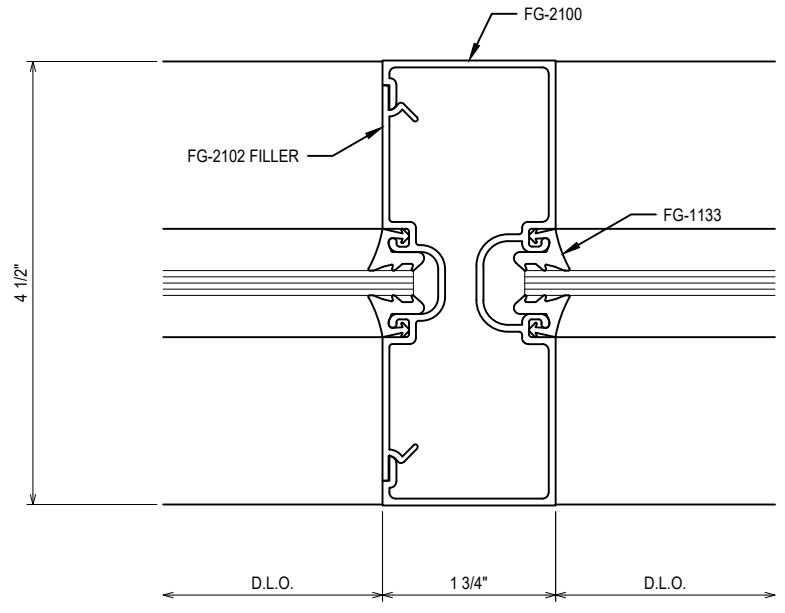
22  
3.08  
REF: N/A  
SF5 - SF5A - SF6 - SF6A - SF7 - SF8



23  
3.08  
REF: 2/A501  
SF4



24  
3.08  
REF: 2/A501  
SF7



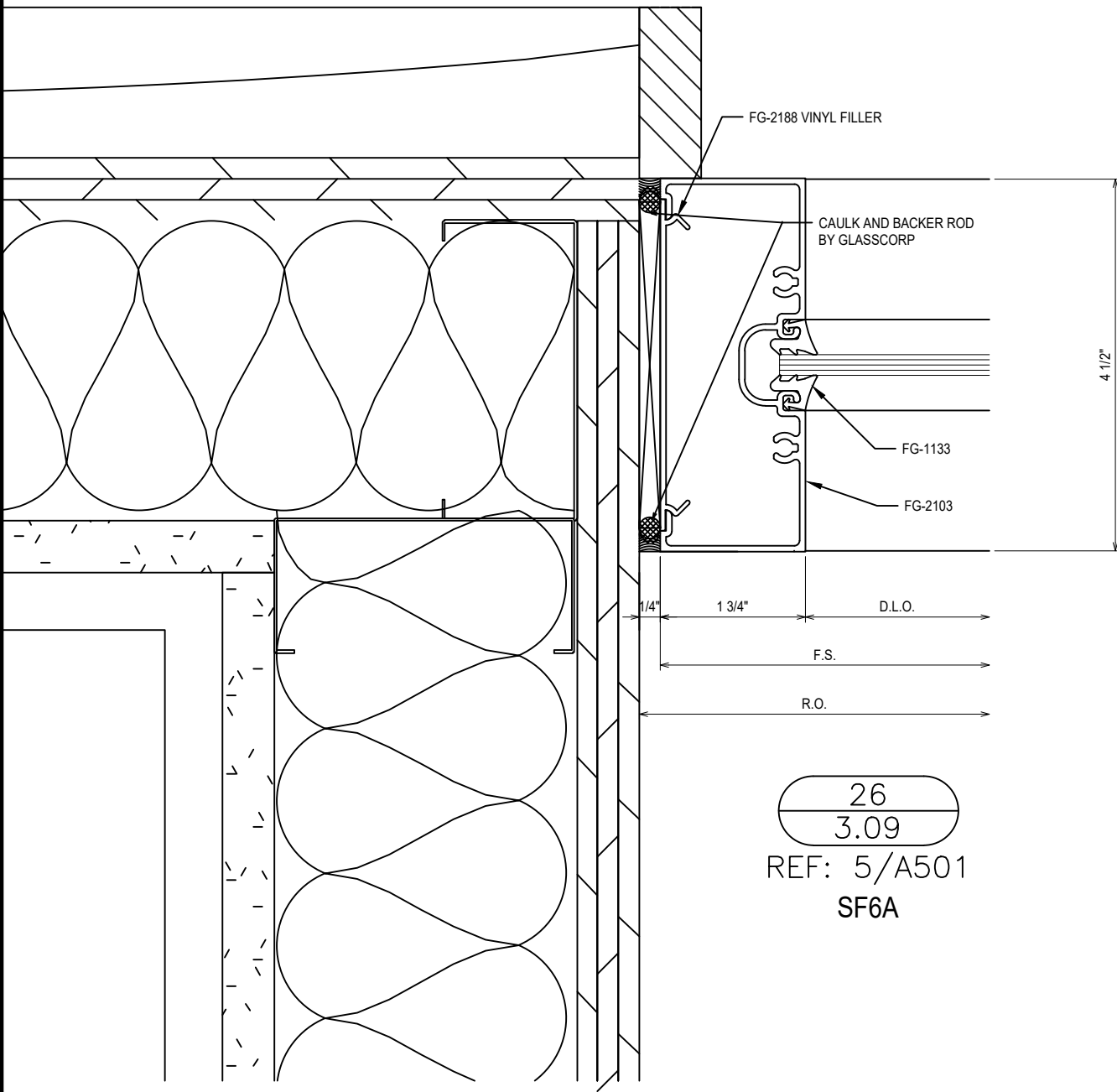
25  
3.08  
REF: N/A  
SF7 - SF8 - SF9

DATE	10/06/22
1ST SUBMISSION	
NO	
DESCRIPTION	
DRAWING SUBMISSION	

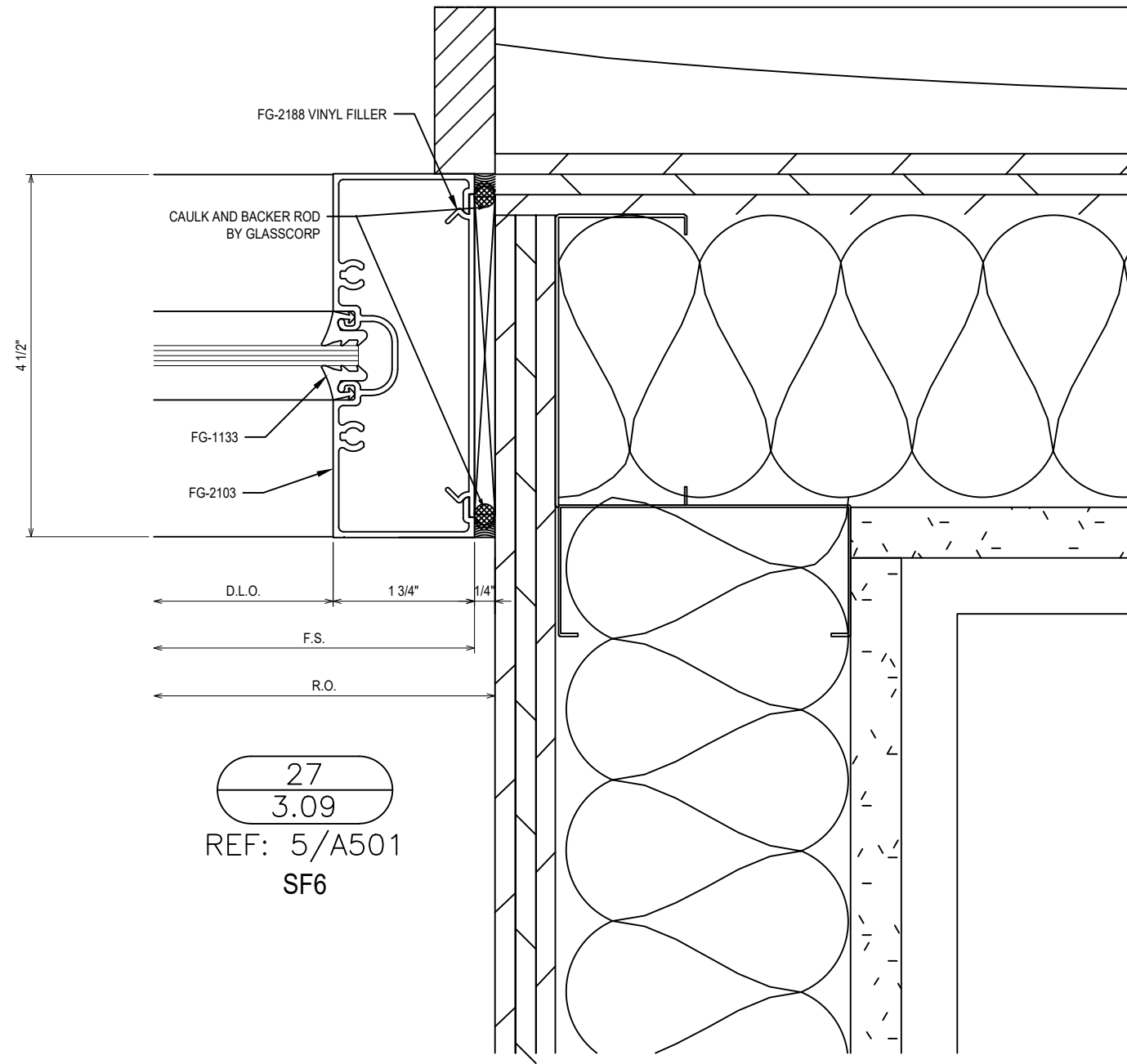
GLASSCORP  
1930 HANAHAN RD.  
NORTH CHARLESTON, SC 29406  
P:843-494-0089

PROJECT: BEACON BANK - INTERNATIONAL BLVD.  
LOCATION: 5270 INTERNATIONAL BLVD.  
NORTH CHARLESTON, SC 29418

DRAWN BY: BG  
DATE: 10/06/22  
CHECKED BY: SG  
DATE: 10/06/22  
JOB NO.:



26  
3.09  
REF: 5/A501  
SF6A



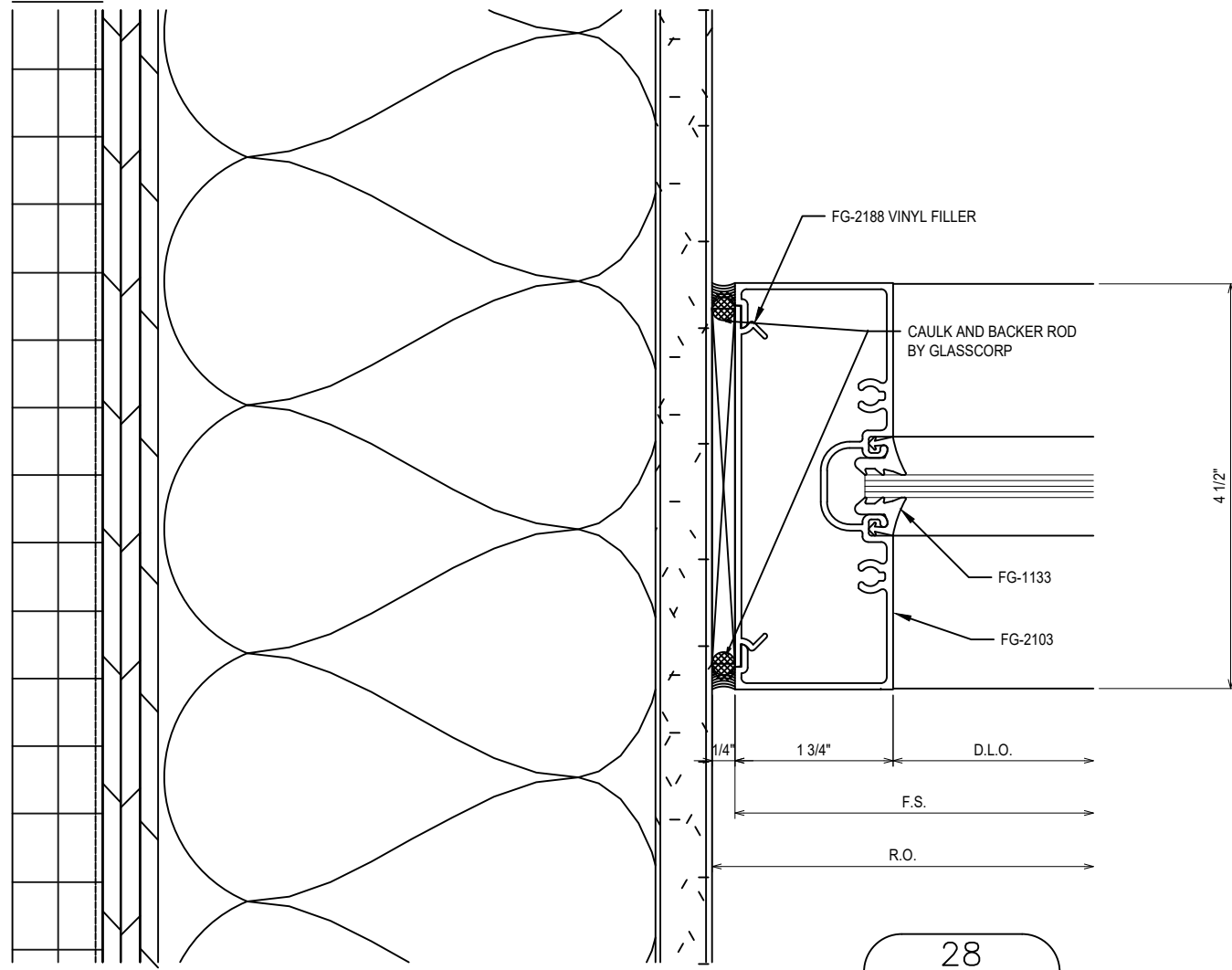
27  
3.09  
REF: 5/A501  
SF6

DATE	10/06/22
1ST SUBMISSION	
NO	
DESCRIPTION	
DRAWING SUBMISSION	

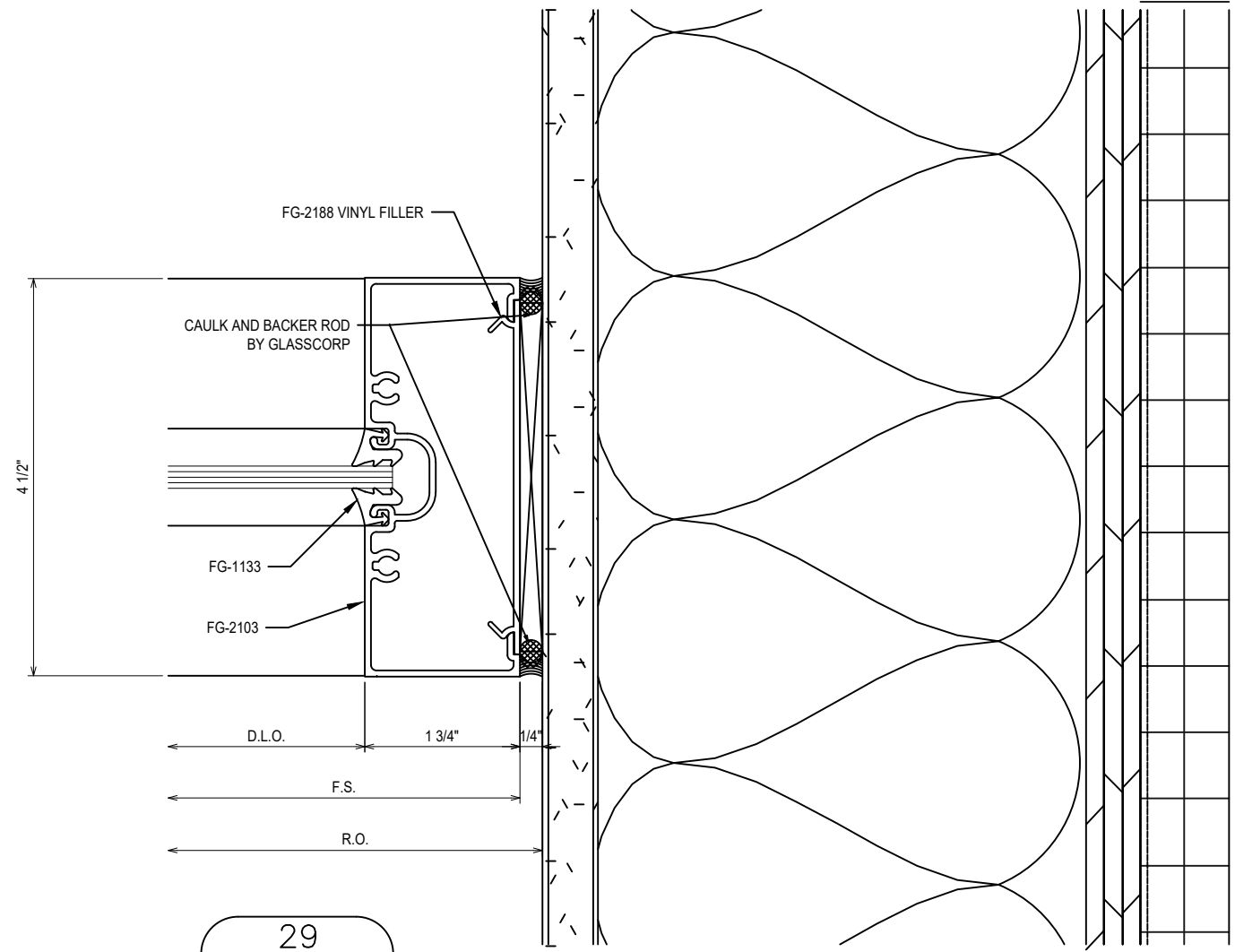
GLASSCORP  
1930 HANAHAN RD.  
NORTH CHARLESTON, SC 29406  
P:843-494-0089

PROJECT: BEACON BANK - INTERNATIONAL BLVD.  
LOCATION: 5270 INTERNATIONAL BLVD.  
NORTH CHARLESTON, SC 29418

DRAWN BY: DATE:  
BG 10/06/22  
CHECKED BY: DATE:  
SG 10/06/22  
JOB NO.:



28  
3.10  
REF: N/A  
SF6



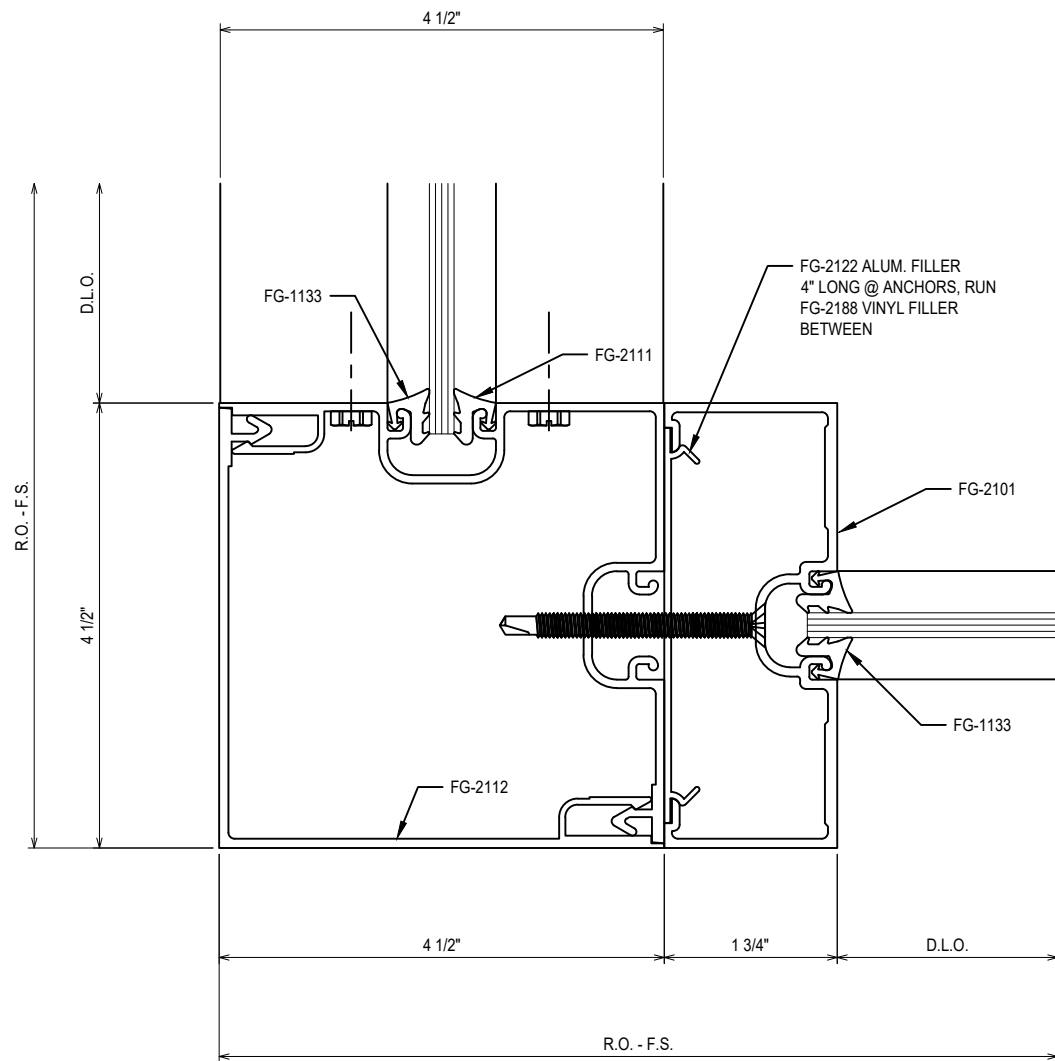
29  
3.10  
REF: N/A  
SF6A - SF9

DATE	10/06/22
1ST SUBMISSION	
NO	
DESCRIPTION	
DRAWING SUBMISSION	

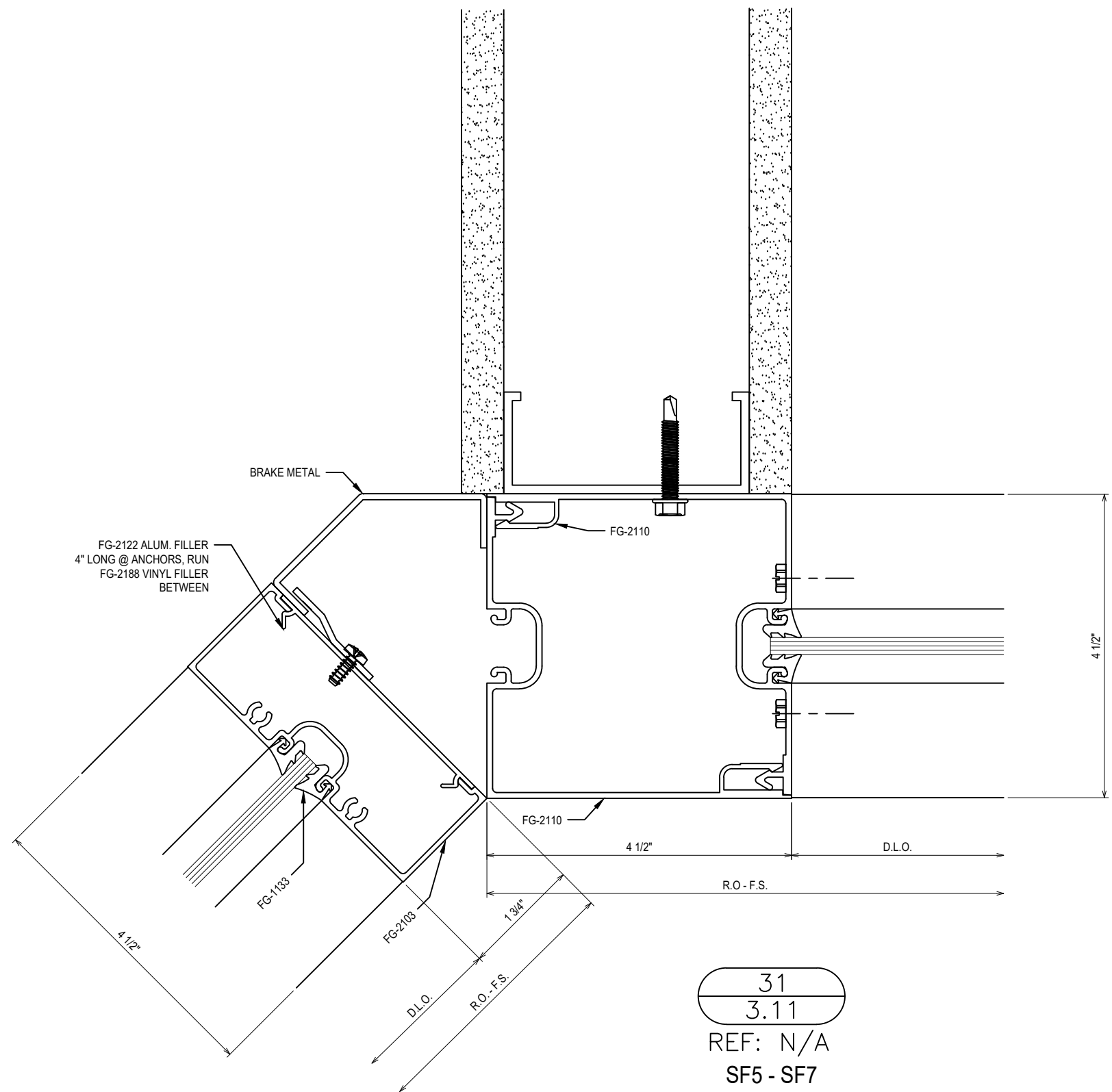
GLASSCORP  
1930 HANAHAN RD.  
NORTH CHARLESTON, SC 29406  
P:843-494-0089

PROJECT: BEACON BANK - INTERNATIONAL BLVD.  
LOCATION: 5270 INTERNATIONAL BLVD.  
NORTH CHARLESTON, SC 29418

DRAWN BY: BG DATE: 10/06/22  
CHECKED BY: SG DATE: 10/06/22  
JOB NO.:



30  
3.11  
REF: N/A  
SF4 - SF8



31  
3.11  
REF: N/A  
SF5 - SF7

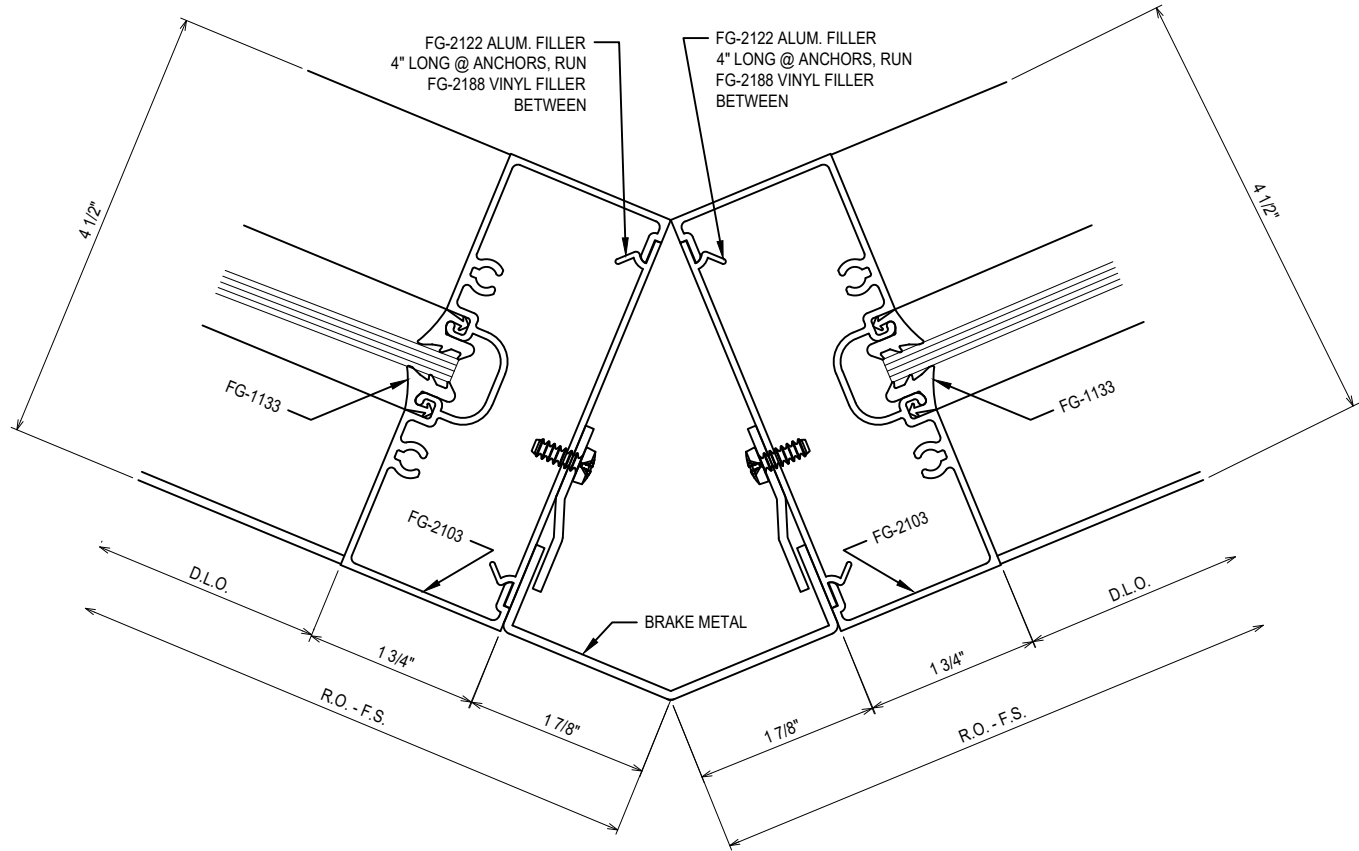
DATE	10/06/22
1ST SUBMISSION	
NO	
DESCRIPTION	
DRAWING SUBMISSION	

GLASSCORP  
1930 HANAHAN RD.  
NORTH CHARLESTON, SC 29406  
P:843-494-0089

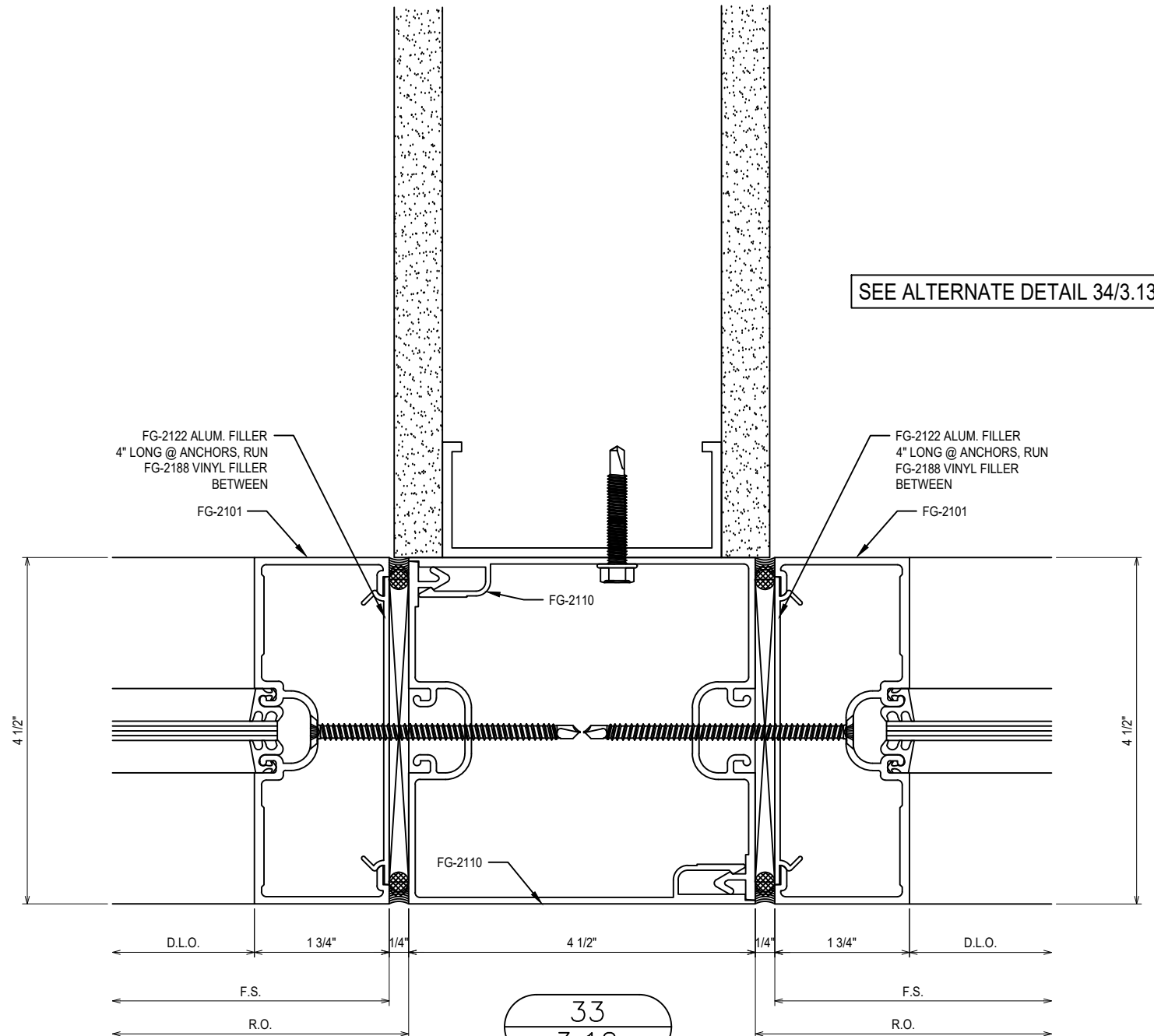
PROJECT: BEACON BANK - INTERNATIONAL BLVD.  
LOCATION: 5270 INTERNATIONAL BLVD.  
NORTH CHARLESTON, SC 29418

DRAWN BY:	DATE:
BG	10/06/22
CHECKED BY:	DATE:
SG	10/06/22
JOB NO.:	





32  
3.12  
REF: N/A  
SF5A - SF9



33  
3.12  
REF: N/A  
SF7

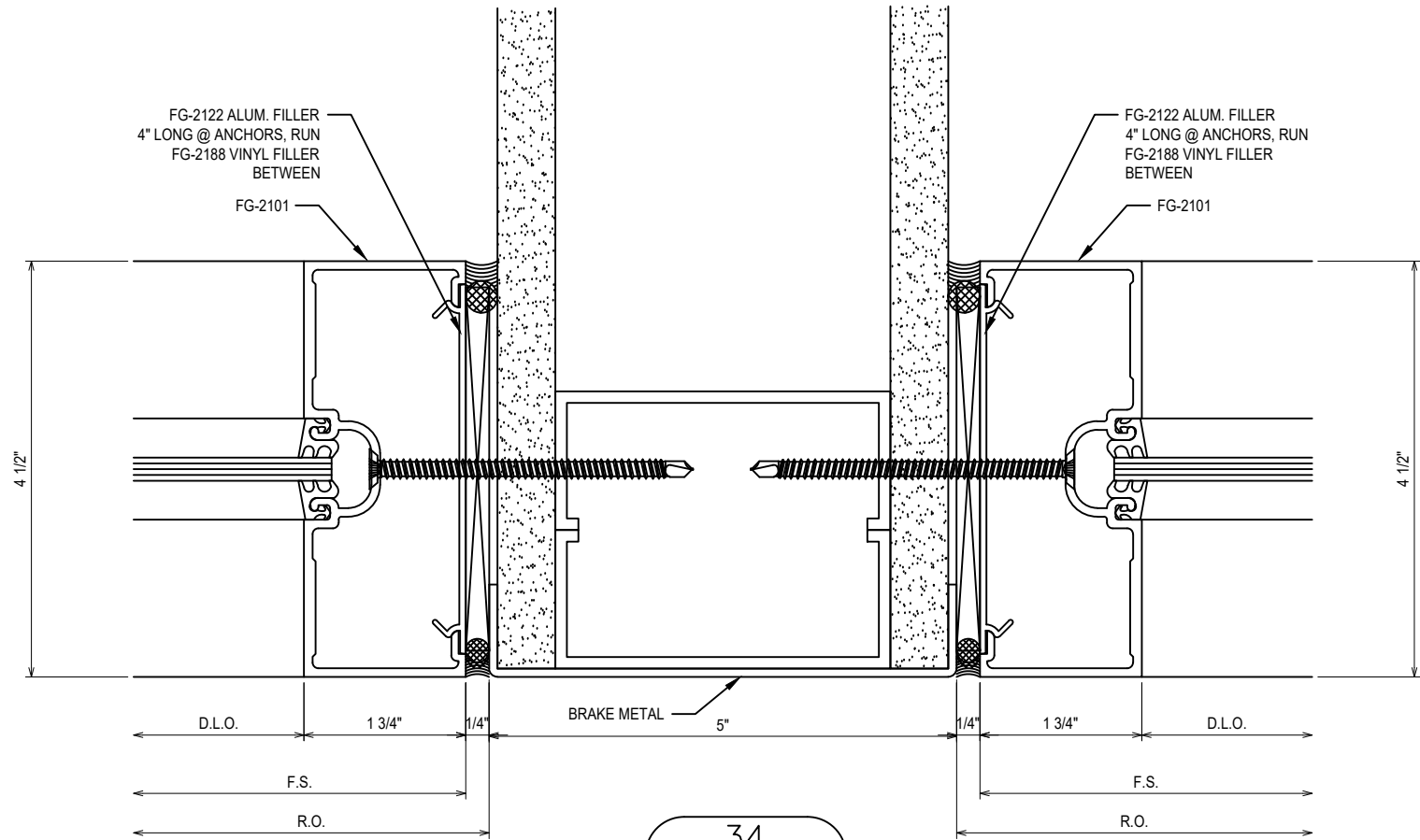
DATE	10/06/22
1ST SUBMISSION	
NO	
DESCRIPTION	
DRAWING SUBMISSION	

GLASSCORP  
1930 HANAHAN RD.  
NORTH CHARLESTON, SC 29406  
P:843-494-0089

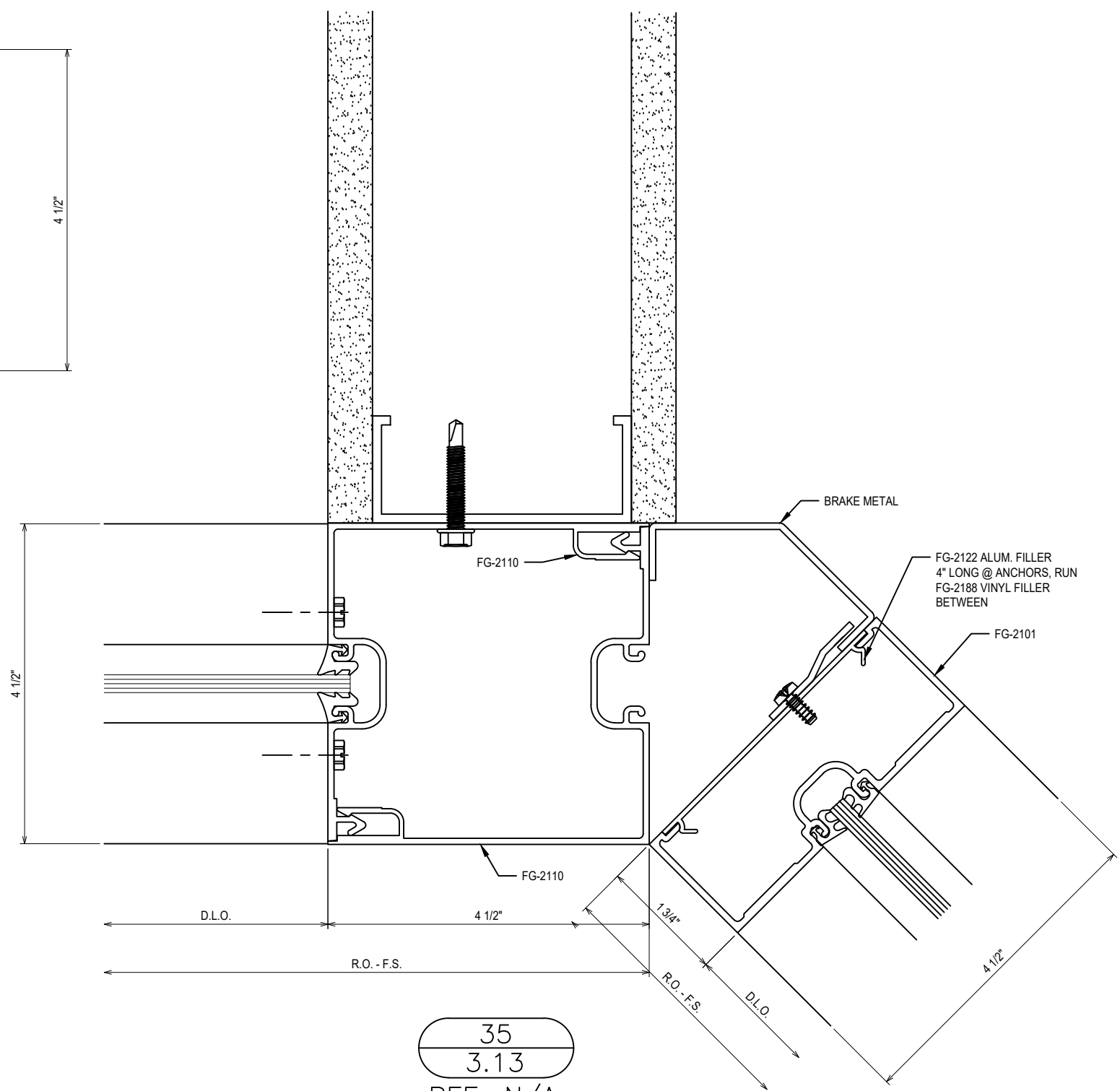
PROJECT: BEACON BANK - INTERNATIONAL BLVD.  
LOCATION: 5270 INTERNATIONAL BLVD.  
NORTH CHARLESTON, SC 29418

DRAWN BY:	DATE:
BG	10/06/22
CHECKED BY:	DATE:
SG	10/06/22
JOB NO.:	

ALTERNATE DETAIL FOR SF7  
SEE 33/3.12 FOR ORIGINAL DETAIL



34  
3.13  
REF: N/A  
SF7



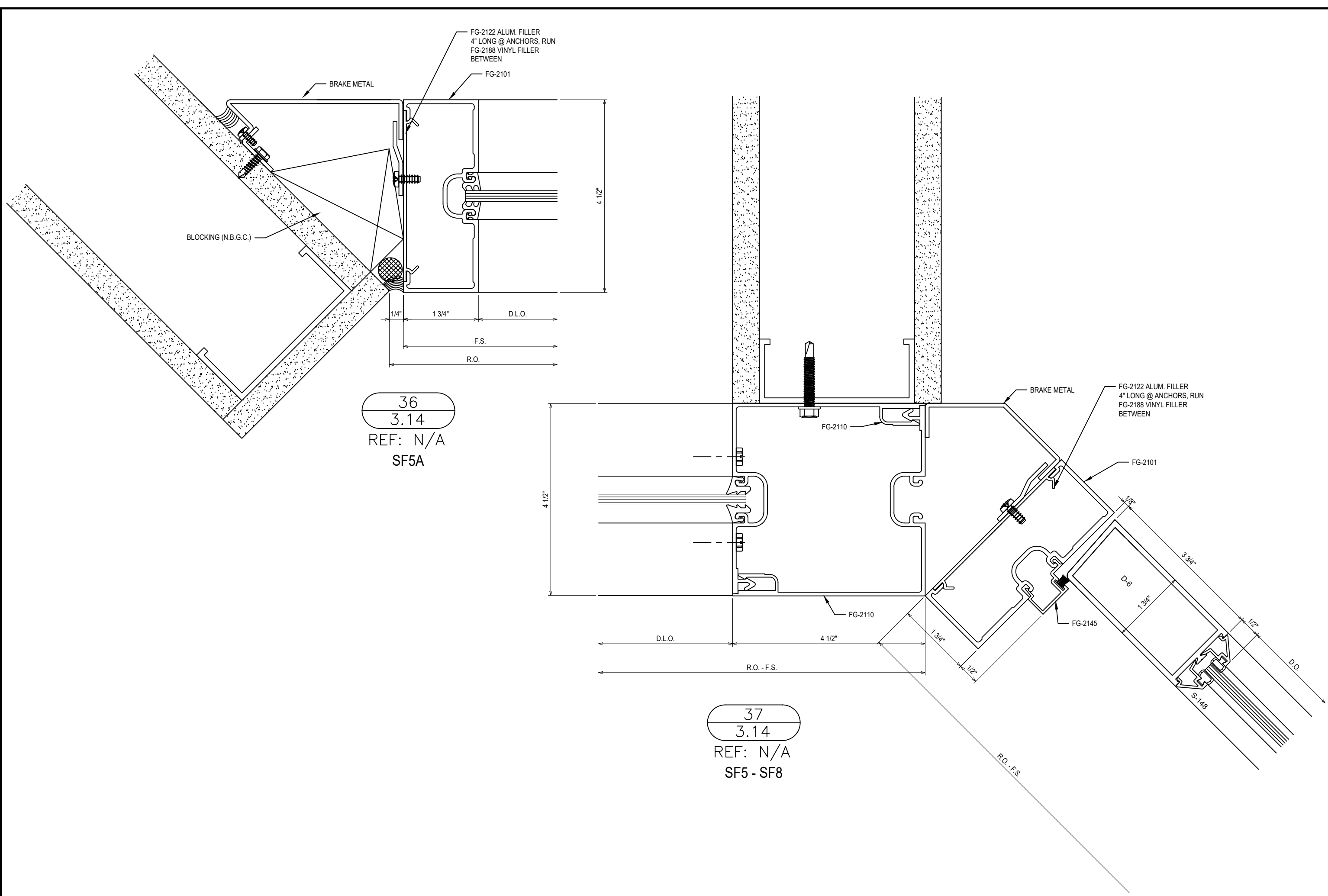
35  
3.13  
REF: N/A  
SF5 - SF8

DATE	10/06/22
1ST SUBMISSION	
NO	
DESCRIPTION	
DRAWING SUBMISSION	

GLASSCORP  
1930 HANAHAN RD.  
NORTH CHARLESTON, SC 29406  
P:843-494-0089

PROJECT: BEACON BANK - INTERNATIONAL BLVD.  
LOCATION: 5270 INTERNATIONAL BLVD.  
NORTH CHARLESTON, SC 29418

DRAWN BY: DATE:  
BG 10/06/22  
CHECKED BY: DATE:  
SG 10/06/22  
JOB NO.:



36  
3.14  
REF: N/A  
SF5A

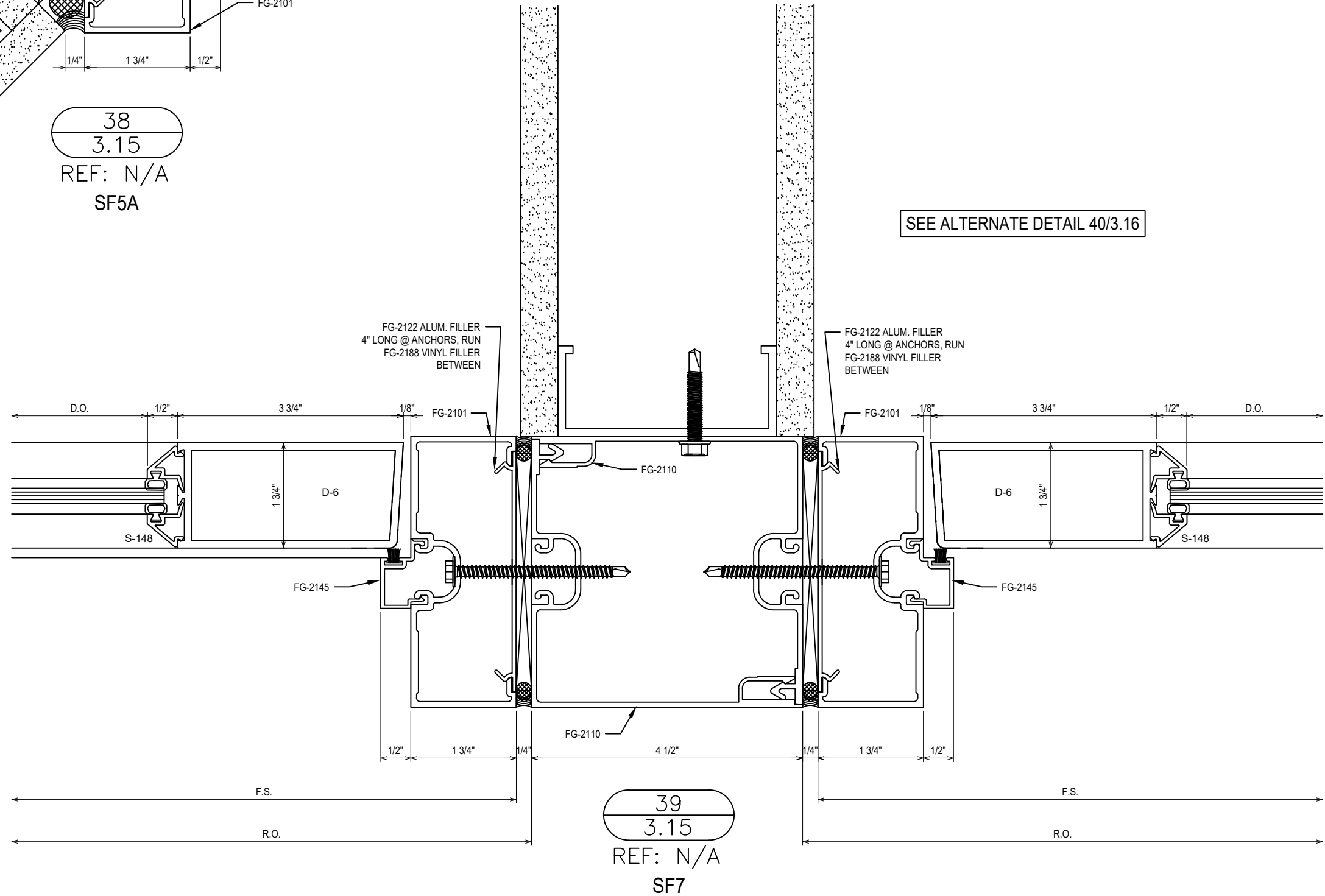
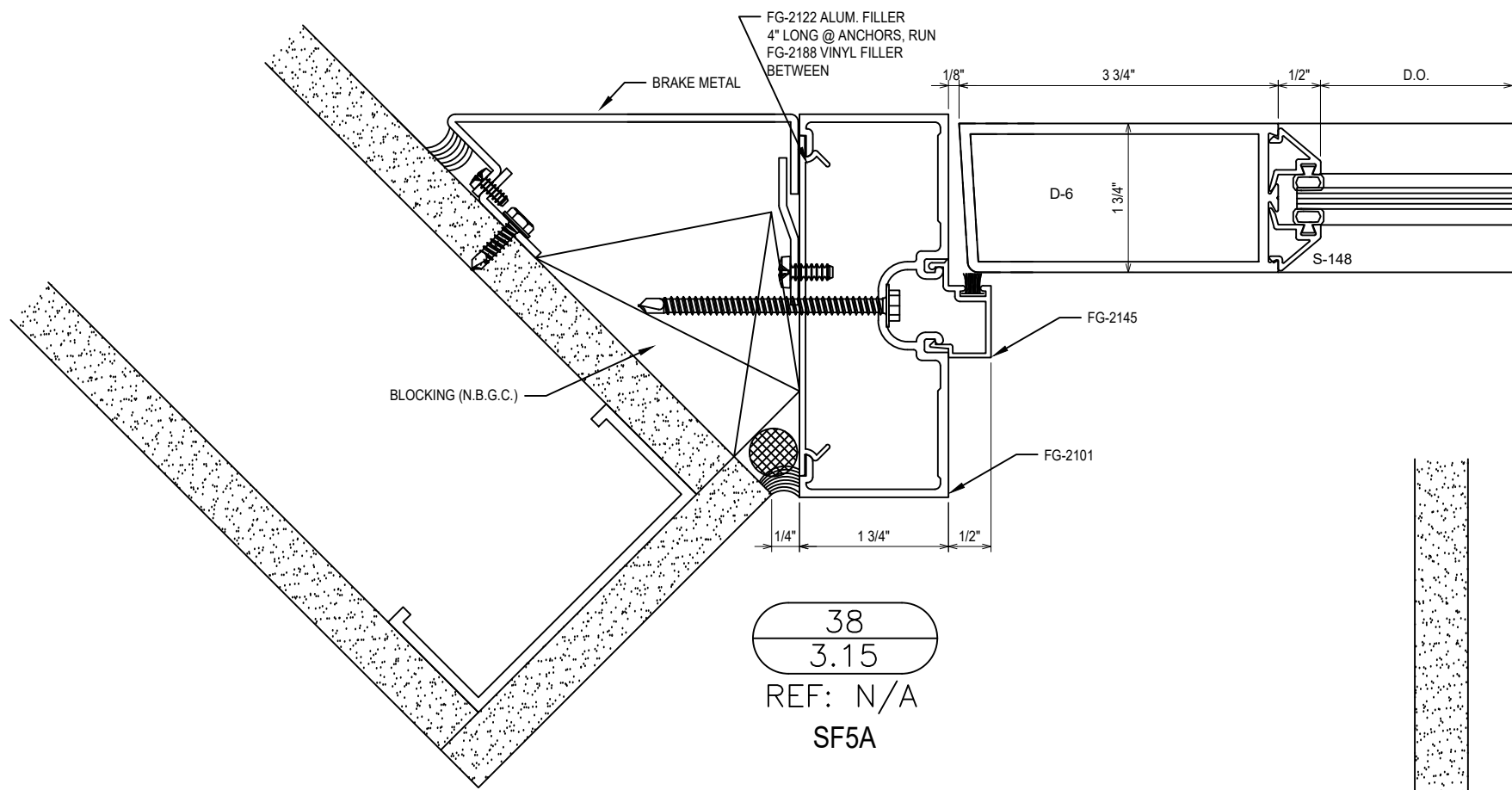
37  
3.14  
REF: N/A  
SF5 - SF8

DATE	10/06/22
1ST SUBMISSION	
NO	
DESCRIPTION	
DRAWING SUBMISSION	

GLASSCORP  
1930 HANAHAN RD.  
NORTH CHARLESTON, SC 29406  
P:843-494-0089

PROJECT: BEACON BANK - INTERNATIONAL BLVD.  
LOCATION: 5270 INTERNATIONAL BLVD.  
NORTH CHARLESTON, SC 29418

DRAWN BY: BG  
DATE: 10/06/22  
CHECKED BY: SG  
DATE: 10/06/22  
JOB NO.:



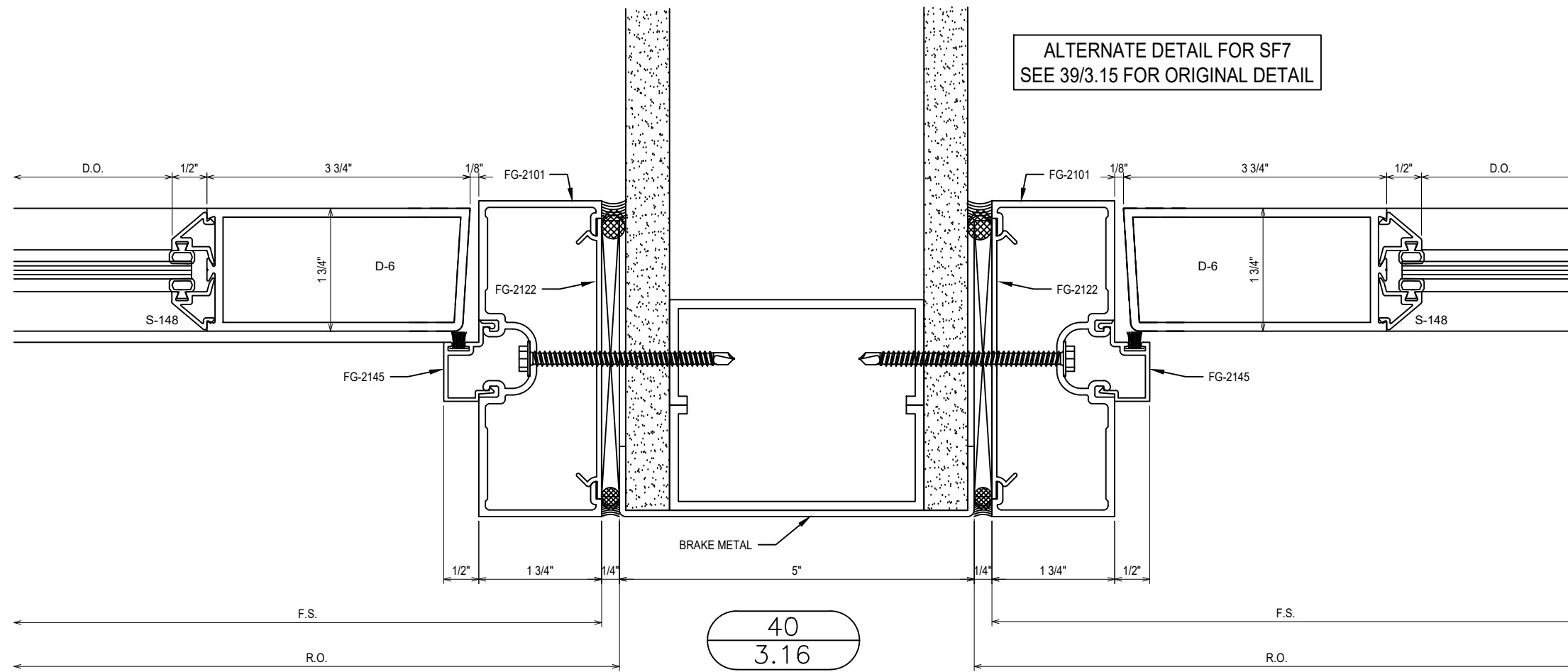
DATE	10/06/22
1ST SUBMISSION	
NO	
DESCRIPTION	
DRAWING SUBMISSION	

GLASSCORP  
1930 HANAHAN RD.  
NORTH CHARLESTON, SC 29406  
P:843-494-0089

PROJECT: BEACON BANK - INTERNATIONAL BLVD.  
LOCATION: 5270 INTERNATIONAL BLVD.  
NORTH CHARLESTON, SC 29418

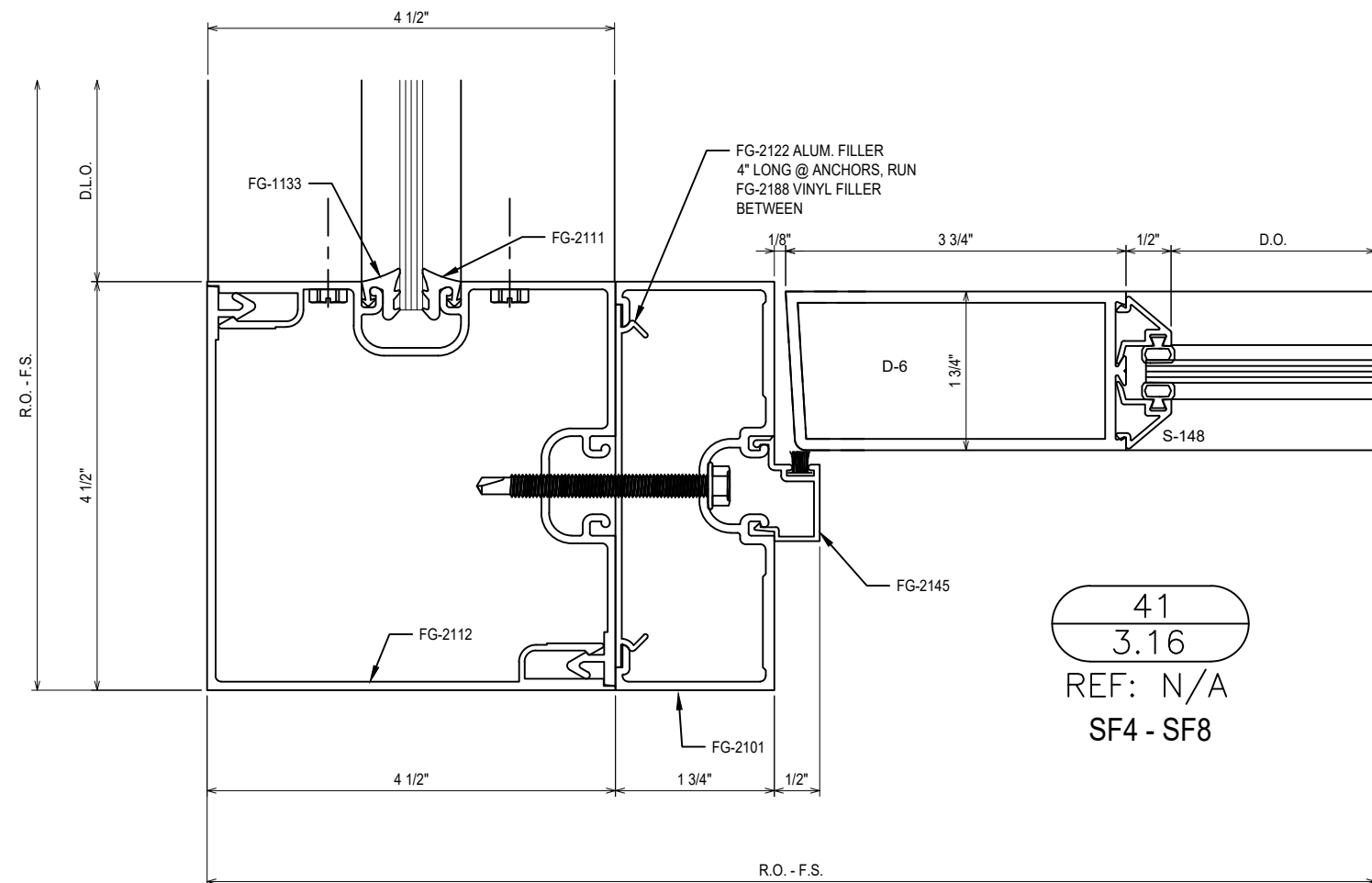
DRAWN BY: DATE:  
BG 10/06/22  
CHECKED BY: DATE:  
SG 10/06/22  
JOB NO.:

3.15



ALTERNATE DETAIL FOR SF7  
SEE 39/3.15 FOR ORIGINAL DETAIL

40  
3.16  
REF: N/A  
SF7



41  
3.16  
REF: N/A  
SF4 - SF8

DATE	10/06/22
1ST SUBMISSION	
NO	
DESCRIPTION	
DRAWING SUBMISSION	

GLASSCORP  
1930 HANAHAN RD.  
NORTH CHARLESTON, SC 29406  
P:843-494-0089

PROJECT: BEACON BANK - INTERNATIONAL BLVD.  
LOCATION: 5270 INTERNATIONAL BLVD.  
NORTH CHARLESTON, SC 29418

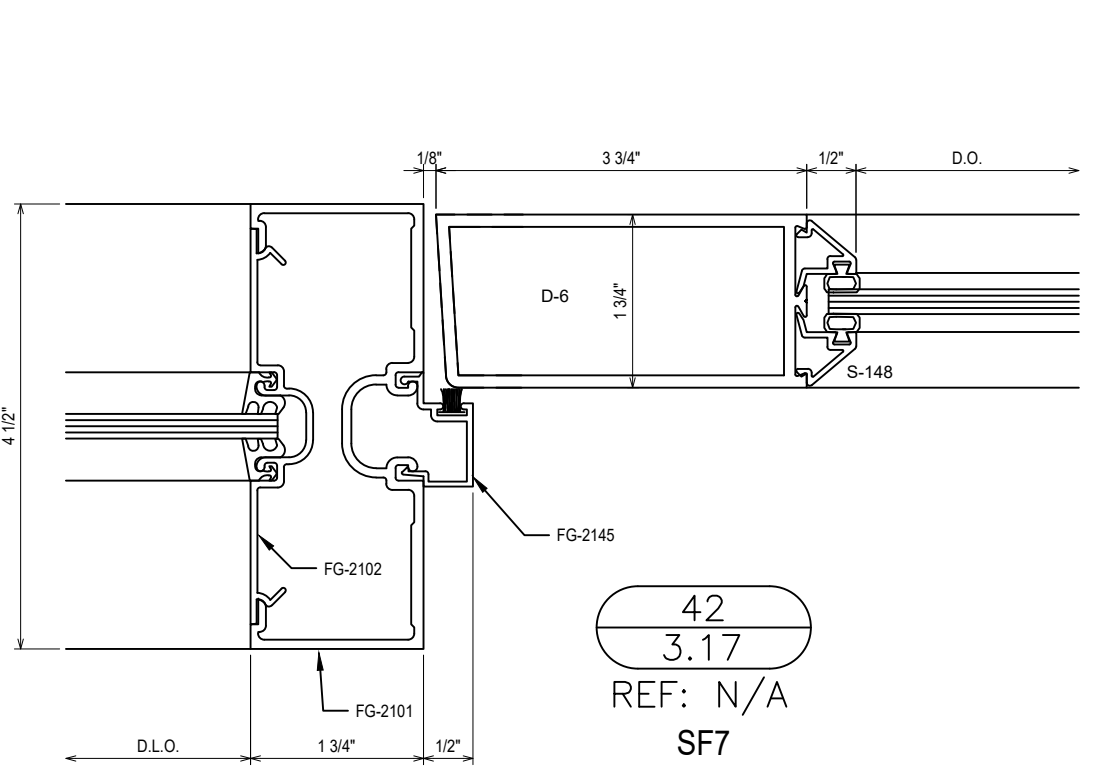
DRAWN BY: DATE:  
BG 10/06/22  
CHECKED BY: DATE:  
SG 10/06/22  
JOB NO.:

DATE	10/06/22
1ST SUBMISSION	
DESCRIPTION	
NO	
DRAWING SUBMISSION	

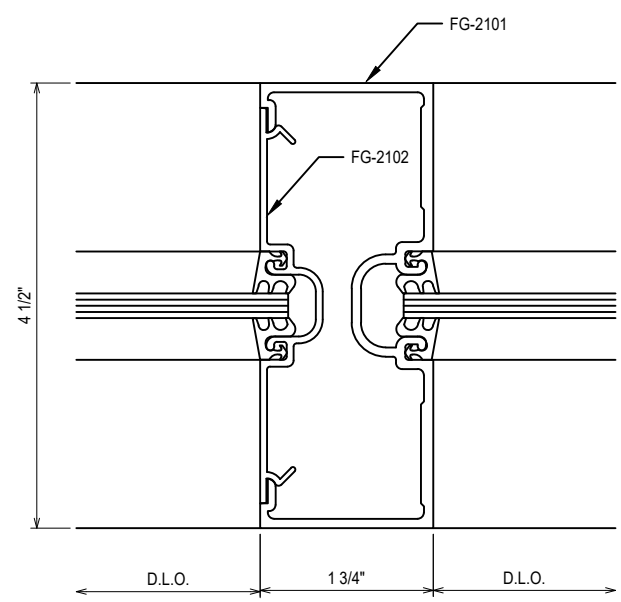
GLASSCORP  
 1930 HANAHAN RD.  
 NORTH CHARLESTON, SC 29406  
 P:843-494-0089

PROJECT: BEACON BANK - INTERNATIONAL BLVD.  
 LOCATION: 5270 INTERNATIONAL BLVD.  
 NORTH CHARLESTON, SC 29418

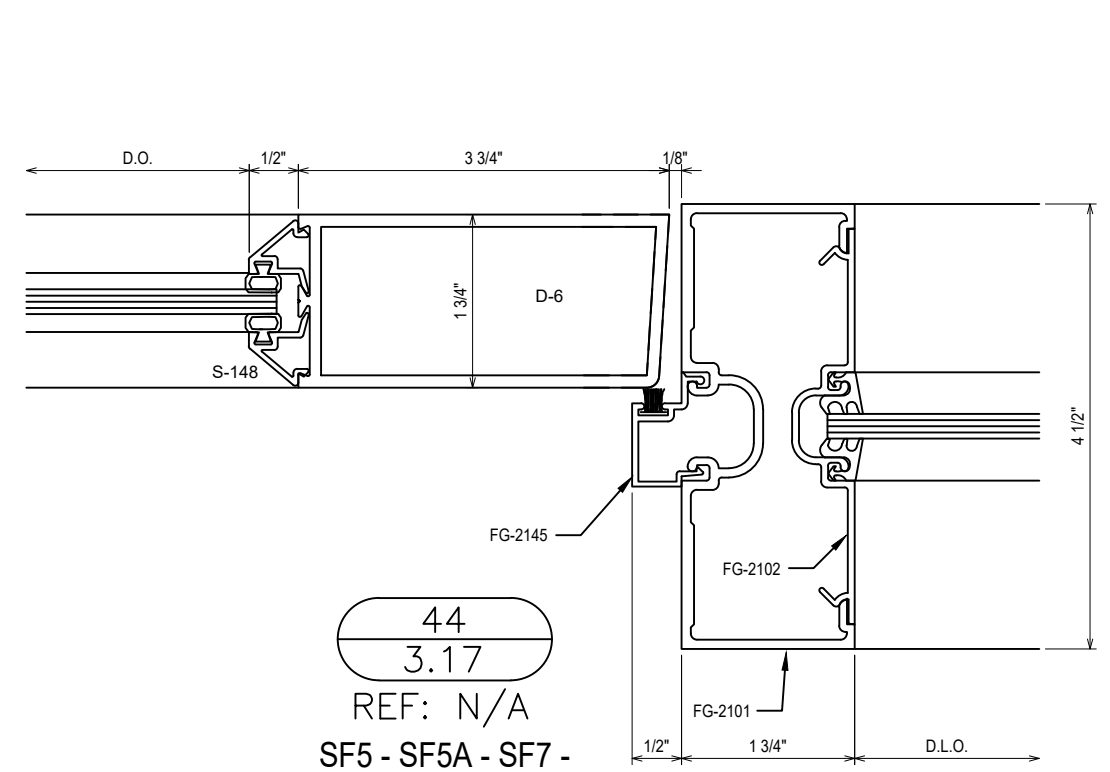
DRAWN BY: DATE:  
 BG 10/06/22  
 CHECKED BY: DATE:  
 SG 10/06/22  
 JOB NO.:



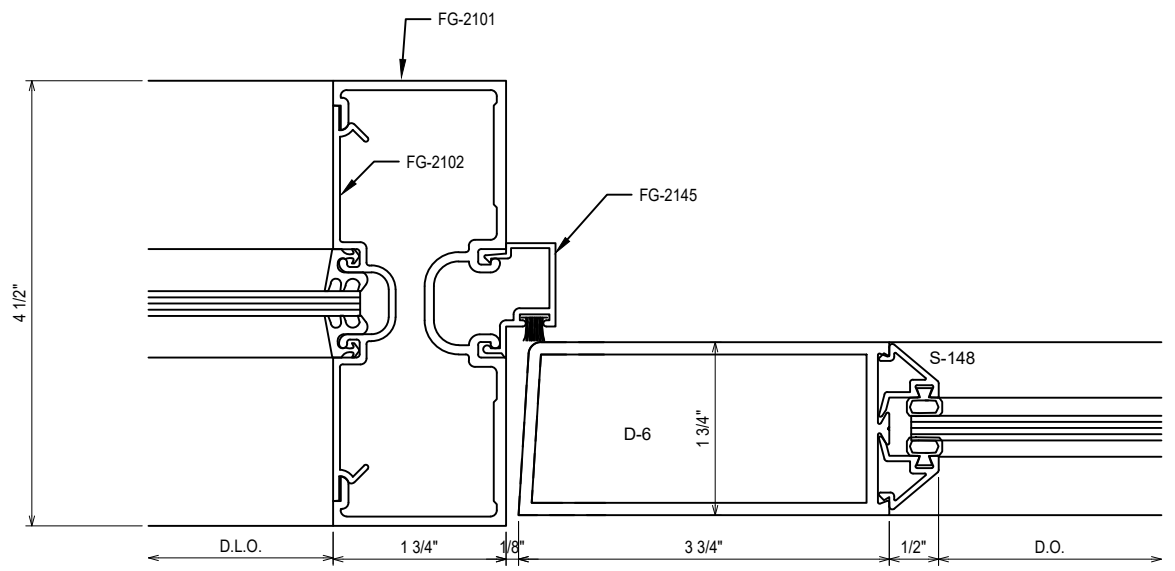
42  
 3.17  
 REF: N/A  
 SF7



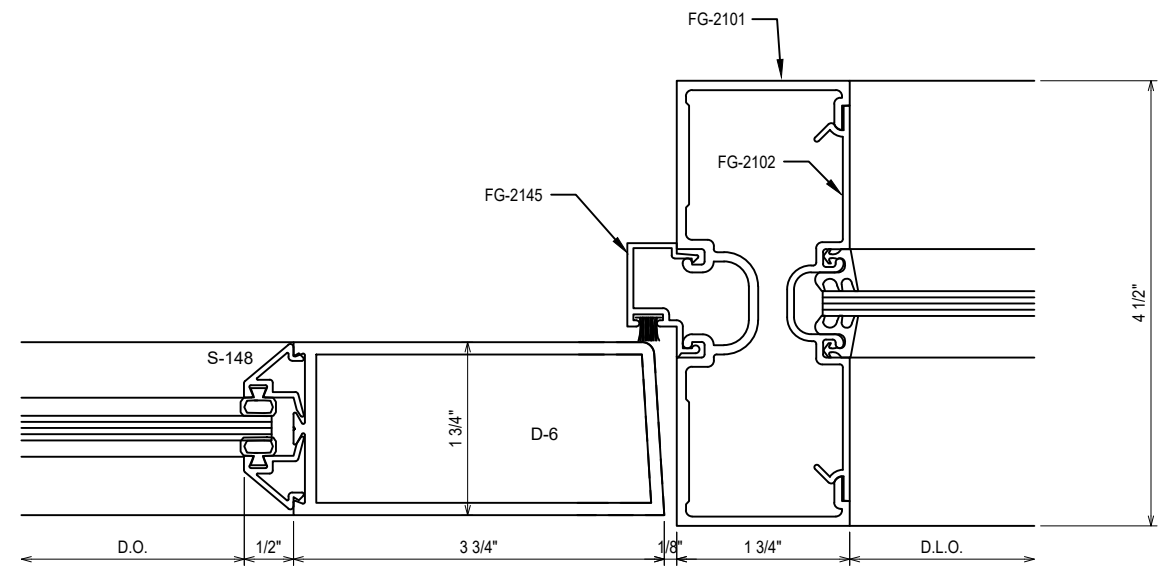
43  
 3.17  
 REF: N/A  
 SF5 - SF5A - SF6 - SF6A -  
 SF7 - SF8



44  
 3.17  
 REF: N/A  
 SF5 - SF5A - SF7 -  
 SF8



45  
 3.17  
 REF: N/A  
 SF6 - SF6A



46  
 3.17  
 REF: N/A  
 SF6 - SF6A