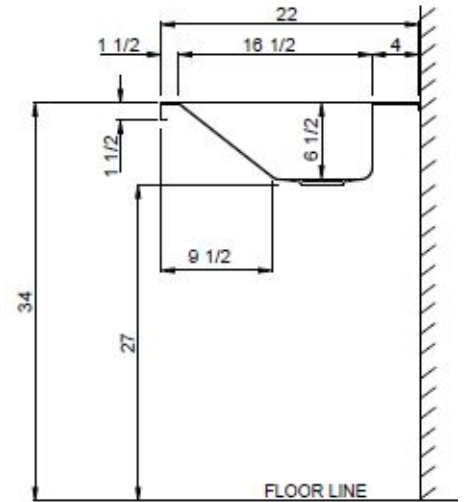
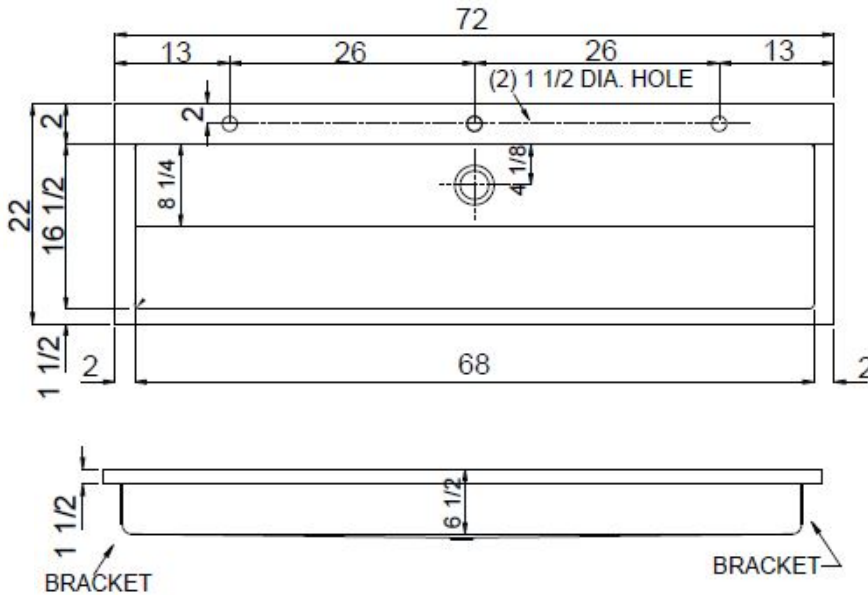


Wicketts Stainless

SPECIFICATION

Commercial Sink Heavy Duty
Wash Up Sink



Model Number	A	B	C	D	
WWT-7222-JM-ADA	72	20	68	6.5	

Engineering Specification:

WICKETTS ADA SINKS.COM

14 gauge, type 304 stainless steel wash sink. 1 3/8" rolled rims. 1 1/2" welded in drain. Exposed surfaces polished to a satin finish. Supported on (2) wall brackets and clips. MEETS ASME A112.19.3

Wicketts Stainless, INC
825 S. LAKEVIEW AVE UNIT C
PLAENTIA, CA 92870
T. 949-438-7535
F. 951-638-9059
sales@wickettsstainless.com
www.wickettsstainless.com



Approved for Manufacturing
Company: _____
Signature: _____
Print: _____ Date: / /