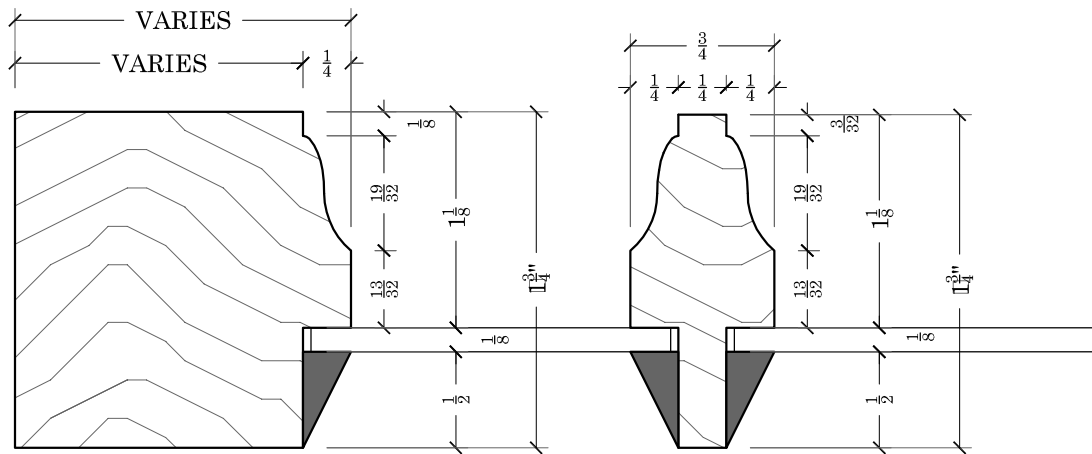
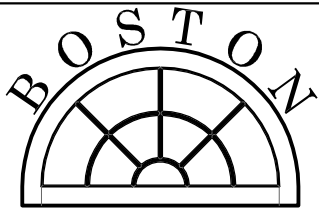


SINGLE STRENGTH GLASS



DOUBLE STRENGTH GLASS
ANNEALED OR TEMPERED



SASH & MILLWORK
667 SPRING STREET
NORTH DIGHTON, MA. 02764
PHONE # (508) 880-8808
FAX # (508) 880-8828
WWW.BOSTONSASH.COM

JOB:

**B.S. & M. STANDARDS
PROFILE & GLASS OPTIONS**

DESCRIPTION:

**NEWPORT PROFILE
ALL UNITS**

DRAWN BY:

KEITH KUTHAN

JOB NO:

B.S.S.

DWG. NO:

SK-1.4

DATE:

1/11/2015

SCALE:

F.S.

SHEET:

5 OF 10