

ORION

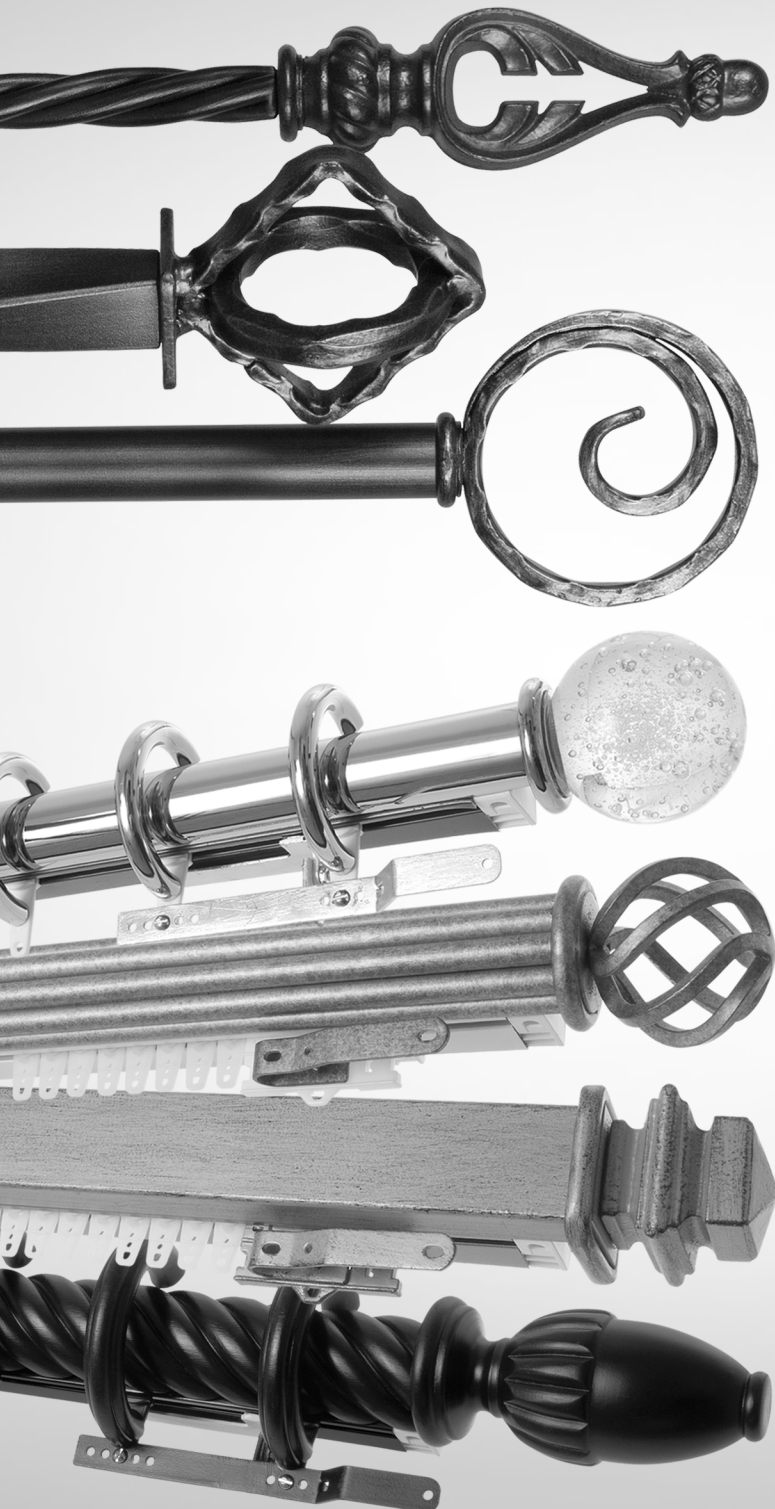
ORNAMENTAL IRON, INC.

Iron Art™
by ORION

Wood Art™
by ORION

RETAIL PRICE LIST & ORDERING INFORMATION

Effective April 15, 2024



DRAPERY HARDWARE: DESIGN LUXURY, VALUE, BEAUTY.

PRODUCT CATEGORIES AND MATERIALS:	CATALOG PAGE	PRICE LIST PAGE	INFORMATION AND APPLICATIONS:
-----------------------------------	--------------	-----------------	-------------------------------

Contemporary Finials with Rods

Italian	58	70	Modern styles in Polished Chrome, Brushed Nickel, Black Nickel, Oiled Bronze, Satin Copper, Satin Gold, Polished Nickel, Black Chrome, Polished Brass, Satin Brass, Antique Brass, Polished Rose Gold, and Satin Rose Gold metallic finishes.
---------	----	----	---

Crystal Finials with Iron Rods

Bohemia	62	72	Hand crafted faceted crystal-glass on iron.
---------	----	----	---

Crystal Finials with Wood Poles

Bohemia	68	73	Hand crafted faceted crystal-glass on wood.
---------	----	----	---

Faux Bamboo Finials with Faux Bamboo Rods

Tropical**	32	32	Iron rods, finials, etc. with look of faux bamboo in island paradise finishes.
------------	----	----	--

Glass Finials with Iron/Italian Rods

Eclectic***	18	-	Discontinued.
Provence***	18	14	Discontinued.

Iron Finials with Iron Rods

Iron Art	10	10	More than 100 finials of all styles and sizes.
Village Forge	17	13	Hand forged iron finials.

Resin Finials with Wood Poles

Design Art*			Elegant, custom hand-painted to order.
Rosina**	76	80	Finials for wood poles: 1 ³ / ₈ ", 2", 2 ¹ / ₄ " & 3" diameters.

Wood Finials with Wood Poles

New York Wood	78	81	Transitional style finials for any decor.
Wood Craft**	74	77	Exotic hand carved finials, swag holders, etc.

WINDOW TREATMENT PRODUCTS:

SPECIAL APPLICATIONS:

Cornices

Renaissance	37	37	Cornice designs in lightweight aluminum.
Tuscany	38	38	Decorative iron cornices.

Crowns and Scrolls

Mediterranean - Crowns	36	36	Decorative accents for arched or irregular shaped windows, over doors, beds, or artwork, or with scarves or swags.
Vienna - Iron Scrolls	36	37	

Roman Shades on Drapery Hardware

Milano**	25	29	Decorative hardware for Roman shades.
----------	----	----	---------------------------------------

Swing Arms

	21	24	For French doors, or other places where drapes need to swing back from opening.
--	----	----	---

QUICK SHIP PROGRAM

Xpress YourWay - Our best selling Iron Art™, Bohemia and Italian Collection finials and rods, in an assortment of great finishes; your choice of next day or three business day shipping. See pages 8-9 for pricing.

CUSTOM PRODUCTS & CUSTOM FABRICATIONS

Our specialty and our pleasure! Please call for quotes. We're happy to be of service to meet your drapery hardware needs and help you solve those difficult problems!

ROD SYSTEMS:	CATALOG PAGE	PRICE LIST PAGE	SPECIAL APPLICATIONS:
Bendable Rods			
Burgundy	34	33	For: <ul style="list-style-type: none"> • Curved Applications • Bay Windows • Special Corners • Arched Windows • Windows with Unusual Shapes
Iron Art	19	16	
Italian	58	70	
Tropical	32	32	
Bypass System			
Unique	24/61	28/71	Hand drawn system over support brackets.
Expandable Sets			
Oasis	24	28	Expandable rod, finial, bracket sets in iron from small to extra large (27"-154").
Faux Bamboo			
Tropical	32	32	Bendable iron rods, finials, etc. covered with faux bamboo for an "island" look.
Front Facing Finials			
3D Drapery Hardware	26	30	Finials are in front of the rod and can be manually adjusted to be above or below it.
3D Drapery Panels	30	31	Add stationary panels to 3D Drapery Hardware.
Hand Crafted Decorative Rods			
Burgundy	34	33	Rods incorporating vines, leaves, birds & decorative accents - Hand crafted.
Metal Plated Iron (Metallic Finishes)			
Italian	58	70	Sleek, modern designs in metallic finishes.
Traversing (Manual/Motorization)			
Deco Lite Traversing	50	57	Full technical support from Orion - and it's easy to specify and easy to install. Available with radio frequency or infrared controls. Answer a few simple questions and you are ready for the latest in home automation.
Designers' Choice Traversing Rods	44	46	
Design Art*			
Tuscany Cornices	38	38	
Tuscany Traversing	46	54	
Traversing with Somfy	52	60	
Thin Line Drapery Hardware			
Fina	25	29	For short, narrow spaces such as French doors, small windows, etc; café rod styles.
Traversing and Cord Drawn			
Deco Lite Traversing	50	57	Heavy duty traverse systems to meet all your design needs. Iron and wood fascia designs, rings, and motorization available.
Designers' Choice Traversing Rods	44	46	
Design Art*			
Tuscany Cornices	38	38	
Tuscany Traversing	46	54	

Outdoor Hardware Available. Add 40% net upcharge. Please call for an estimate.

GENERAL ORDERING INFORMATION

1. We splice any iron rod or wood pole over 106" and any traversing rod over 102" to save on shipping charges using FedEx/UPS. Rods, poles or traversing not specified as one piece in the order will be spliced in the center, unless a splice location is otherwise noted. Anything over these lengths is shipped by truck, and final shipping charges are given when the order is shipped. Please note residential truck deliveries are restricted to 24' (288"). Packed boxes cannot exceed 108" in length. Additional Freight Surcharge, See page 86.
2. Wood poles are priced as per minimum section (4', 6', 8' & 12'). For example a 4' 8" pole will be charged at 6'.
3. Items priced per foot are rounded up or down at six inches; i.e., up to 5⁷/₈" is rounded down to the nearest foot, 6" and above are rounded up to the nearest foot.
4. Any wood or iron ring (except "C" Ring Product #330C) or bracket may be utilized interchangeably with iron rods or wood poles.
5. All wood and resin finials are attached to wood poles using a screw-in fitting, which is included.

Iron

3D Drapery Hardware (Finials in Front of Rod)	30
3D Drapery Panels (Finials and Stationary Panels in Front of Rod)	31
Accessories	15
Batons	27
Brackets	18
Bracket Guide	20
Burgundy Collection (Hand Crafted Decorative Rods)	33
Cornices, Decorative Scroll Work, and Valances	
Mediterranean Collection (Lightweight Decorative Crowns)	36
Renaissance Collection (Lightweight Decorative Cornices)	37
Tuscany Collection (Lightweight Decorative Metal Cornices)	38
Vienna Collection (Decorative Scrolls)	37
Decorative Brackets	19
Fina Collection (Thin Line Drapery Hardware)	29
Finials	
Bohemia Collection (Decorative Hand Crafted Faceted Crystal-Glass Finials)	72
Eclectic Collection (Discontinued)	14
Finials (Iron)	10
Italian Collection (Metal Plated Iron Drapery Hardware)	70
Provence Collection (Decorative Hand Blown Art Glass Finials, Available While Supplies Last)	14
Village Forge Collection (Hand Crafted Iron Finials)	13
Iron Art [™] Finishes	6
Design Art [™] Finishes Cross Reference	7
Italian Collection (Metal Plated Iron Drapery Hardware)	70
Italian Collection Finishes	6
Milano Collection (Roman Shades on Drapery Hardware, Available While Supplies Last)	29
Oasis Collection (Expandable Sets)	28
Rings	22
Rods	16
Swing Arms	24
Tiebacks/Swag Holders	26
Tropical Collection (Faux Bamboo on Iron, Available While Supplies Last)	32
Unique Collection (Bypass System with "C" Rings)	28
Xpress Yourway (Orion's Quickship Program)	8

Manual and Motorized Traversing

Common Measurements / Pinch Pleat & RippleFold Guides	44
Deco Lite Traversing (Lightweight Embossed Metal Panels)	57
Deco Lite Traversing: Bracket Guide	59
Designers' Choice Traversing Rods (Iron & Wood Traversing Rods with Heavy Duty Hardware)	46
Installation Guides	40
Manual Traversing: Bracket Guide	52
Motorized Traversing: Bracket Guide	66
Motorized Traversing: Accessories	65
Traversing with Somfy Motorization	60
Tuscany Traversing Collection (Lightweight Embossed Metal Rods and Heavy Duty Hardware)	54
Iron Art and Wood Art Traversing Track Finishing Guide	42
Additional Master Carriers Sets	51
Tuscany and Deco Lite Traversing Fascia Designs	56
Order Forms	87
Promotional Items/Designer Product Case	82
Measurement Guidelines	93
FedEx/UPS Freight Charges, Summary of Charges and Upcharges	86
Terms of Sale	84

*Wood Art*TM by **ORION**

Wood and Resin

Accessories	79
Batons	80
Brackets	79
Finials	
Bohemia Collection on Wood (Decorative Hand Crafted Faceted Crystal-Glass Finials)	73
New York Wood Collection (Exclusive Hand-Painted Wood Finials)	81
Rosina Collection (Decorative Resin Finials, Available While Supplies Last)	80
Wood Craft Collection (Hand-Carved Finials, Available While Supplies Last)	77
Poles	77
Rings	79
Tiebacks/Swag Holders	80
Wood Art TM Finishes	6

Manual and Motorized Traversing

Common Measurements / Pinch Pleat & RippleFold Guides	44
Designers' Choice Traversing Poles (Wood Traversing Poles with Heavy Duty Hardware)	74
Installation Guides	40
Manual Traversing: Accessories	75
Manual Traversing: Bracket Guide	52
Motorized Traversing: Bracket Guide	66
Motorized Traversing: Accessories	65
Traversing with Somfy Motorization	60

Order Forms	87
Promotional Items/Designer Product Case	82
Measurement Guidelines	93
Summary of Charges and Upcharges	86
FedEx/UPS Freight Charges	86
Terms of Sale	84

Finishes: Ordering Information

1. Finishes are included in the product price. Please see catalog and price list for finish groups.
2. Please note that the finishes presented in catalog are lithographic reproductions of the actual finishes, and as such, may not accurately reflect the true depth and tone of our finishes. Please refer to the actual finish samples (Selector Set) before ordering.
3. Design and crackle will vary in Crackle Finish.
4. We can match most custom finishes, with a one-time strike-off charge of \$65.00 (net) per sample. All custom finishes need prior approval before production. For the order, please refer to the product price in the Custom Finish Group.
5. Iron Art™ and Wood Art™ finishes are also available as Semi or High Gloss. Please add a 20% upcharge.

Iron Art™ Finishes (Groups A, B, C, D): Pages 80 & 81 of Catalog

Grp	Finish Code	Finish Name	Sheen	Grp	Finish Code	Finish Name	Sheen	Grp	Finish Code	Finish Name	Sheen
A	09	Light Brown	Satin	B	15	Bronze Vecchio	Satin	C	25	Burnt Gold	Satin
A	14	Black	Satin	B	17	Burnt Silver	Satin	C	26	Bronze Patina	Satin
A	19	Brown	Satin	B	20	Antique White	Satin	C	27	Cherry Gold	Satin
B	01	Old Black	Satin	B	32	Ivory	Satin	C	28	Vecchio Patina	Satin
B	02	Antique Bronze	Satin	B	33	Pure White	Satin	C	29	Golden Oak	Satin
B	03	Naturelle	Satin	B	34	Oil Rubbed Bronze	Satin	D	05	Autumn	Satin
B	04	Rusty	Satin	B	35	Metal Ore	Satin	D	08	Imposter	Satin
B	06	Antique Gold	Satin	B	36	Modern Gold - <i>NEW</i>	Satin	D	21	Crackle	Satin
B	07	Rich Gold	Satin	C	11	Versace	Satin	D	22	Antique Crackle	Satin
B	10	Antique Copper	Satin	C	16	Gold Antique White	Satin	D	23	Mocha Mix	Satin
B	12	New Nickel	Satin	C	18	Renaissance Silver	Satin	D	30	Warm Cherry	Satin
B	13	Soft Pewter	Satin	C	24	Sage Gold	Satin	D	31	Sugar Maple	Satin

Wood Art™ Finishes (Groups E, F): Page 82 of Catalog

Group	Finish Code	Finish Name	Sheen	Group	Finish Code	Finish Name	Sheen
E	WC 101	Light Cherry	Satin	F	WC 107	White Distress	Satin
E	WC 102	Natural	Satin	F	WC 108	Aged Pewter	Satin
E	WC 103	Mahogany	Satin	F	WC 109	Imitation Gold Leaf	Satin
E	WC 104	White Wash	Satin	F	WC 110	Golden Teak	Satin
E	WC 105	Dusk Black	Satin	F	WC 111	Sun Oak	Satin
E	WC 106	Walnut	Satin				

Italian Finishes (Groups I, J, K, L): Page 60 of Catalog

Group	Finish Code	Finish Name	Group	Finish Code	Finish Name
I	IT 201	Brushed Nickel	L	IT 208	Black Chrome
J	IT 206	Polished Chrome	L	IT 209	Polished Brass
J	IT 207	Polished Nickel	L	IT 210	Satin Brass
K	IT 202	Black Nickel	L	IT 211	Antique Brass
K	IT 203	Oiled Bronze	L	IT 212	Polished Rose Gold
K	IT 204	Satin Copper	L	IT 213	Satin Rose Gold
K	IT 205	Satin Gold			

PRICING FOR IRON ART PRODUCTS IN DESIGN ART FINISHES



By popular request, we've made it easier to order Iron Art products in Design Art finishes. Our Design Art collection features elegant Décor finishes in two price groups; A or B (and includes more options for gold tones that many of you have been looking for).

- 14 Design Art Décor Finishes - Group A will be priced as Iron Art Group B
- 22 Design Art Décor Finishes - Group B will be priced as Iron Art Group D

Please add finish name and code on orders. We hope you enjoy this expanded color palette!

Group A Décor Finishes = Group B Iron Art Charges

Grp	Finish Code	Finish Name	Grp	Finish Code	Finish Name	Grp	Finish Code	Finish Name
A	DP909A	Bronze Pewter	A	DP924A	Frosty Morn	A	DP949A	Steel
A	DP912A	Cast Iron	A	DP929A	Hammered Silver	A	DP950A	Superior Bronze
A	DP918A	Copper Glimmer	A	DP955A	Old Rust	A	DP951A	Urbane Bronze
A	DP961A	Copper Penny	A	DP942A	Royal Red	A	DP954A	White Dove
A	DP922A	English Bronze	A	DP947A	Silver Shimmer			

Group B Décor Finishes = Group D Iron Art Charges

Grp	Finish Code	Finish Name	Grp	Finish Code	Finish Name	Grp	Finish Code	Finish Name
B	DP956B	Aged Brass	B	DP921B	Ebony	B	DP939B	Precious Metals
B	DP905B	Aged Chestnut	B	DP923B	French Nobility	B	DP940B	Queensland Walnut
B	DP908B	Black Embers	B	DP930B	Hickory	B	DP946B	Sage
B	DP948B	Champagne	B	DP931B	Italian Gold	B	DP952B	Vintage Gold
B	DP916B	Chateau	B	DP932B	Italian Walnut	B	DP953B	Weathered Iron
B	DP917B	Cherrywood	B	DP943B	Mahogany	B	DP957B	Zinc
B	DP911B	Clouds	B	DP960B	Monarch			
B	DP920B	Creamy	B	DP962B	Paris Rain			

Xpress Yourway: Ordering Information

1. All orders received by 12:00 noon Pacific time will be considered received as same day.
2. Finials are interior fit only.
3. Modifications from specifications offered will NOT qualify for the Xpress Yourway program.
4. Cancellation of orders will result in a 40% restocking fee.
5. Please utilize the Xpress Yourway order form or mark orders as Xpress Yourway.
Orders without an Xpress Yourway indication will be processed with standard shipping times.
6. Xpress Yourway Wall Display Available. Please see item #8002 on page 82.

Xpress Yourway: Pages 6-7 of Catalog

Express It! Finishes
Ship in 1 Day

Quicken It! Finishes
Ship in 3 Days

Round Hollow Rods			Unit	Grp A Price	Grp B Price	Price
RODHOLLOW-100	1" Diameter		FOOT	18	25	25
RODHOLLOW-112	1½" Diameter		FOOT	26	31	31
Finials	Length	Height	Unit	Grp A Price	Grp B Price	Price
420	1¾"	2"	EACH	34	44	44
505	2¾"	1½"	EACH	33	42	42
513	1"	2¼"	EACH	39	50	50
906S	3½"	3"	EACH	48	62	62
946 SM 2"	2"	2"	EACH	37	47	47
947L	2½"	2½"	EACH	48	60	60
950	5¼"	2½"	EACH	53	69	69
966	3½"	2¼"	EACH	41	53	53
End Caps, Sockets & Connectors	Length	Height	Unit	Grp A Price	Grp B Price	Price
301 End Cap (1" / 1½" Rods)	⅛"	1¾" / 2"	EACH	17	21	21
302 and 303 Rod Socket (1" / 1½" Rods)	1" / 1⅛"	1½" / 2"	PAIR	34	42	42
306-100 - 1" Rod Socket	1⅛"	1⅝"	EACH	38	44	44
306-112 - 1½" Rod Socket	1⅛"	1⅜"	EACH	47	54	54
321 - End Cap (1" / 1½" Rods)	⅝" / ⅜"	1¼" / 2"	EACH	17	21	21
300 - Connector (1" / 1½" Rods)	8"	7⁄8" / 1⅜"	EACH	26	26	26
315 - Moveable Elbow (1" / 1½" Rods)	2⅞" / 4¼"	7⁄8" / 1⅜"	EACH	49	63	63
Brackets	Width	Height	Unit	Grp A Price	Grp B Price	Price
1028-RND 3" P	1"	3¼"	EACH	27	33	33
1028HP-RND 3" P	3"	1"	EACH	24	31	31
1028-RND 6" P	1"	3¼"	EACH	35	46	46
1028HP-RND 6" P	3"	1"	EACH	39	49	49
1024DBWS-RND 3" & 6" P	1"	4"	EACH	50	64	64
1040-RND 3" P	1"	3¼"	EACH	28	34	34
1040HP-RND 3" P	3"	1"	EACH	24	31	31
1040-RND 6" P	1"	3¼"	EACH	35	46	46
1040HP-RND 6" P	3"	1"	EACH	35	46	46
1040DBWS-RND 3" & 6" P	1"	4"	EACH	42	53	53
Rings	Inner Diameter		Unit	Grp A Price	Grp B Price	Price
350 RND for 1" Rod	1½"		EACH	6.5	7.5	7.5
350 RND for 1½" Rod	2"		EACH	6.5	7.5	7.5

Express It! Finishes: Black (A), Brown (A), Light Brown (A) & New Nickel (B). **Quicken It! Finishes:** Antique Bronze, Antique Gold, Soft Pewter & Pure White.

Xpress Yourway: Pages 6-7 of Catalog (cont.)				Express It! Finishes Ship in 1 Day		Quicken It! Finishes Ship in 3 Days	
Post Projection Tiebacks		Diameter	Unit	Grp A Price	Grp B Price	Price	
1059 - Expandable 3"- 4½" P		3"	EACH	38	47	47	
1073 - Expandable 3"- 4½" P		3½"	EACH	41	50	50	
1078 - Expandable 3"- 4½" P		3¾" x 3¾"	EACH	48	63	63	
Baton with Clip		Length	Diameter	Unit	Grp A Price	Grp B Price	Price
1016		48"	½"	EACH	58	76	76

Express It! Finishes: Black (A), Brown (A), Light Brown (A) & New Nickel (B). Quicken It! Finishes: Antique Bronze, Antique Gold, Soft Pewter & Pure White.

Xpress Yourway: Page 8 of Catalog - Bohemia Crystal						Available for Express It! and Quicken It! finishes in Iron Art™ or Italian.					
Finial #	Length	Height	Base Height	Unit	Price	Finial #	Length	Height	Base Height	Unit	Price
772	2¾"	2¾"	1¾"	EACH	101	782	2⅞"	2¾"	1⅝"	EACH	103
774	2"	2¾"	1½"	EACH	91	787	3½"	2"	2"	EACH	99
775	2¾"	2½"	1½"	EACH	113	788	3½"	2"	2"	EACH	99
778	1¼"	2¾"	1½"	EACH	86	790	¾"	2"	2"	EACH	77
781	2⅛"	2¾"	1⅝"	EACH	81						

Italian Line

1" round rod, three finials, and four finishes.

Xpress Yourway: Page 9 of Catalog				Express It! Finishes Ship in 1 Day				
				Brushed Nickel	Polished Chrome	Polished Nickel	Satin Gold	
Round Hollow Rods			Unit	Price	Price	Price	Price	
7020			1" Diameter	FOOT	39	47	47	51
Finials		Length	Height	Unit	Price	Price	Price	Price
7003		2"	2"	EACH	74	88	88	95
7005		2"	1⅛"	EACH	62	74	74	80
7006		2"	1"	EACH	65	77	77	84
End Caps & Connectors		Length	Height	Unit	Price	Price	Price	Price
7016 - Metal End Cap		1"	1¾"	EACH	23	26	26	29
300 - Connector		8"	⅞"	EACH	26	26	26	26
Brackets		Width	Height	Unit	Price	Price	Price	Price
7014 3" P		1"	3¼"	EACH	58	69	69	76
7014HP 3" P		3"	1"	EACH	58	69	69	76
7015 6" P		1"	3¼"	EACH	63	75	75	81
7015HP 6" P		3"	1"	EACH	63	75	75	81
7040 3" & 6" P		1"	4"	EACH	87	105	105	113
Rings		Inner Diameter		Unit	Price	Price	Price	Price
7013		1½"		EACH	13	15	15	17
Baton with Clip		Length	Diameter	Unit	Price	Price	Price	Price
1014		48"	½"	EACH	98	119	119	129

Express It! Finishes: Brushed Nickel, Polished Chrome, Polished Nickel and Satin Gold

Finials: Ordering Information

1. All finials will have interior fit unless specified otherwise (exterior fit).
2. Finials are also available as screw-in to fit wood poles.
3. Please specify left or right orientation of finial as applicable.
 - a. If ordered in pairs (quantity of 2, 4, 6, etc.), finials will be supplied as one left and one right unless otherwise noted on order.
4. If ordering finials to fit rods other than Orion's, please provide the rod diameter and gauge.

Finials: Pages 12 & 13 of Catalog

Product #	Unit	Iron Art Finishes				Custom Finish	Additional Information
		A	B	C	D		
400	EACH	59	75	83	88	103	Hand Forged
401	EACH	77	100	110	117	137	Hand Forged
402	EACH	59	75	83	88	103	Hand Forged
403	EACH	53	69	74	78	93	Hand Forged
404	EACH	53	69	74	78	93	Hand Forged
405	EACH	41	53	59	63	73	
406	EACH	42	54	60	64	75	
407	EACH	45	57	63	68	77	
408	EACH	47	57	64	69	78	Hand Forged / Specify Left or Right
409	EACH	47	57	64	69	78	Specify Left or Right
410	EACH	52	67	73	77	91	Specify Left or Right
411	EACH	72	92	100	108	125	
412	EACH	77	99	109	117	136	Hand Forged / For Rods 1/4" Dia. & Up
413	EACH	59	75	83	89	104	Hand Forged
414	EACH	60	76	85	90	105	
415	EACH	47	59	64	69	80	
416	EACH	66	83	91	98	113	Specify Left or Right
417	EACH	33	42	47	50	57	
418	EACH	51	64	71	75	88	Specify Left or Right
419	EACH	92	118	130	139	162	Specify Left or Right
420	EACH	34	44	49	52	60	
421	EACH	33	42	48	51	59	
422	EACH	39	50	54	59	69	Only Available as Shown in Catalog
501	EACH	104	133	145	155	181	
502	EACH	85	108	117	125	146	
503	EACH	51	64	71	75	88	
505	EACH	33	42	48	51	59	
506	EACH	94	120	133	142	165	Specify Left or Right
507	EACH	68	87	93	100	117	Specify Left or Right
508	EACH	68	87	93	100	117	
509	EACH	77	99	109	117	137	

Finials: Pages 12 & 13 of Catalog (continued)

Product #	Unit	Iron Art Finishes				Custom Finish	Additional Information
		A	B	C	D		
510	EACH	92	118	128	138	162	
511	EACH	29	36	39	42	50	
512	EACH	45	56	63	68	77	
513	EACH	39	50	54	57	69	

New Finials: Pages 10 & 11 of Catalog

551	EACH	62	74	87	99	122	
552	EACH	74	87	99	111	135	
553	EACH	89	100	113	125	150	
554	EACH	78	91	103	116	141	
555	EACH	90	101	115	126	151	
556	EACH	63	75	88	99	124	
557	EACH	67	77	91	103	127	
558	EACH	44	55	68	80	104	
559	EACH	44	55	68	80	104	

Finials: Pages 13 & 14 of Catalog (continued)

707	EACH	64	83	90	97	112	Hand Forged / Specify Left or Right
711	EACH	85	108	117	125	146	Specify Left or Right
900 SM	EACH	62	78	87	92	108	Hand Forged / Specify Left or Right
900 MD	EACH	64	81	89	94	111	Hand Forged / Specify Left or Right
901	EACH	41	53	59	63	73	
902	EACH	41	53	59	63	73	
903	EACH	41	53	59	63	73	
904 SM	EACH	45	57	63	68	77	
904 LG	EACH	77	99	109	117	137	
905	EACH	39	51	55	59	69	
906 SM	EACH	48	62	68	72	85	
906 LG	EACH	67	86	93	100	117	
907	EACH	36	47	51	54	63	Hand Forged
908	EACH	36	47	51	54	63	Hand Forged
909	EACH	42	54	60	64	75	
910	EACH	39	50	54	59	69	Hand Forged
911	EACH	33	42	48	51	59	
912	EACH	44	55	62	66	76	
913 SM	EACH	34	44	49	52	60	
913 LG	EACH	42	54	60	64	75	
914	EACH	29	36	39	41	49	

Finials: Pages 14-16 of Catalog (continued)

Product #	Unit	Iron Art Finishes				Custom Finish	Additional Information
		A	B	C	D		
916	EACH	34	44	49	52	60	
921	EACH	41	53	59	63	73	
927	EACH	37	47	51	54	64	Specify Left or Right
929	EACH	37	48	52	55	66	Specify Left or Right
929MV	EACH	48	60	67	71	83	Movable Finial / Specify Left or Right
933	EACH	34	44	49	52	60	Also Available as Movable Finial
934	EACH	49	63	69	73	86	
935	EACH	49	63	69	73	86	
936	EACH	41	53	59	63	73	Hand Forged / Specify Left or Right
937	EACH	48	60	67	71	83	Hand Forged / Specify Left or Right
938	EACH	53	68	74	78	93	Hand Forged / Specify Left or Right
939	EACH	87	111	122	130	151	Specify Left or Right
940	EACH	68	87	93	100	117	Hand Forged
941	EACH	69	88	95	103	120	Hand Forged / Specify Left or Right
943	EACH	41	53	59	63	73	Hand Forged
944	EACH	42	54	60	64	75	Hand Forged / Specify Left or Right
945	EACH	48	60	67	71	83	Hand Forged / Specify Left or Right
946 SM	EACH	37	47	51	54	64	2" Diameter Ball
946 MD	EACH	48	60	67	71	83	3" Diameter Ball
946 LG	EACH	53	69	74	78	93	4" Diameter Ball
946H SM	EACH	41	53	59	63	73	2" Diameter Hammered Ball
946H MD	EACH	53	69	74	78	93	3" Diameter Hammered Ball
946H LG	EACH	62	78	87	92	108	4" Diameter Hammered Ball
947 SM	EACH	39	50	54	59	69	For Rods up to 3/4" Diameter Only
947 LG	EACH	48	60	67	71	83	For Rods 7/8" Diameter & Above
948	EACH	39	50	54	59	69	
949	EACH	39	50	54	59	69	
950	EACH	53	69	74	78	93	
951	EACH	76	99	108	116	135	
952	EACH	37	47	51	54	64	
953	EACH	37	47	51	54	64	
954	EACH	162	207	226	242	282	Specify Left or Right
955	EACH	42	54	60	64	75	
956	EACH	39	50	54	57	69	
966	EACH	41	53	59	63	73	
971	EACH	81	104	113	122	142	Hand Forged / Specify Left or Right
973	EACH	39	50	54	59	69	

Finials: Page 16 of Catalog (continued)

Product #	Unit	Iron Art Finishes				Custom Finish	Additional Information
		A	B	C	D		
975	EACH	48	60	67	71	83	Hand Forged
976	EACH	39	50	54	57	69	
979	EACH	55	72	77	85	98	Specify Left or Right
982	EACH	90	115	125	135	156	Hand Forged / Specify Left or Right
983	EACH	45	57	63	68	77	
984	EACH	53	69	74	78	93	
985	EACH	90	115	125	135	156	
986	EACH	81	104	113	122	142	Hand Forged
987	EACH	37	47	51	54	64	
988	EACH	81	104	113	122	142	
989	EACH	39	50	54	59	69	
990	EACH	75	97	105	113	133	Specify Left or Right
991	EACH	59	75	83	88	103	Hand Forged
992	EACH	53	69	74	78	93	Hand Forged

New Finials: Page 11 of Catalog

9704	EACH	23	30	33	36	41	
9705	EACH	29	37	40	42	51	
9705L	EACH	37	48	51	54	64	
9706	EACH	37	48	51	54	64	
9706L	EACH	44	56	63	67	77	

Village Forge Collection: Ordering Information

- All finials will have interior fit unless specified otherwise (exterior fit).
- Finials are also available as screw-in to fit wood poles.
- Please specify left or right orientation of finial as applicable.
 - If ordered in pairs (quantity of 2, 4, 6, etc.), finials will be supplied as one left and one right unless otherwise noted on order.

Village Forge Collection: Page 17 of Catalog

Product #	Unit	Iron Art Finishes				Custom Finish	Additional Information
		A	B	C	D		
600	EACH	95	121	132	142	165	Hand Forged / Specify Left or Right
601	EACH	95	121	132	142	165	Hand Forged / Specify Left or Right
602S	EACH	84	107	117	125	146	Hand Forged
602L	EACH	87	110	121	129	150	Hand Forged
603	EACH	95	121	132	142	165	Hand Forged / Specify Left or Right
604	EACH	85	107	117	125	146	Hand Forged / Specify Left or Right
605	EACH	87	110	121	129	150	Hand Forged / Specify Left or Right
606	EACH	95	121	132	142	165	Hand Forged / Specify Left or Right
607	EACH	87	110	121	129	150	Hand Forged / Specify Left or Right
608	EACH	87	110	121	129	150	Hand Forged / Specify Left or Right

Provence Collection: Ordering Information

The Provence Collection is discontinued.

Eclectic Finials: Ordering Information

Eclectic Finials are discontinued.

Accessories: Ordering Information

1. Rods need to be mitered when using interior elbows (Product #309). Please add Product #307 for miter charges.
2. Standard elbows and corner brackets are available in 45° and 90°. For other angles, please add Product #322 as a custom angle charge.
3. For items with custom welding, please add Product #323.

Accessories: Page 19 of Catalog

Product #	Unit	Iron Art Finishes				Custom Finish	Additional Information
		A	B	C	D		
214	EACH	23	28	30	35	41	Hook with Screw Fitting
300	EACH	26	26	26	26	26	8" Connector for Spliced Rods
301-RND/SQ	EACH	17	21	23	25	28	End Cap for Round or Square Rods - Interior Fit
302	EACH	17	21	23	25	30	Half Open Socket for Round or Square Rods
303	EACH	17	21	23	25	30	Full Socket for Round or Square Rods
302/303-RND/SQ	SET	34	42	46	50	60	1 Half Open Socket and 1 Full Socket for Round or Square Rods (1 of 302 & 1 of 303)
304 PEG 1	EACH	22	27	29	34	40	Peg with Screw Fitting. 2 3/4" dia. - 1 1/2" screw length
305 PEG 2	EACH	17	21	23	25	29	Peg with Screw Fitting. 2" dia- 1 1/2" screw length
307	EACH	32	32	32	32	32	Miter Charge
308	EACH	37	45	49	56	64	Half Open Decorative Socket
309	EACH	26	32	37	40	46	Elbow: Specify Interior or Exterior Fit and Angle. If Interior Fit, Rods must be Mitered. Please Add Product #307.
310	EACH	33	42	46	50	60	Hook Peg
311	EACH	39	48	53	60	69	Hand-Forged Hook Bracket. 30% upcharge for Italian
312	EACH	39	48	53	60	68	Corner Bracket / Exterior Fit Only
313	EACH	9	11	13	14	16	Knob
314	EACH	20	24	26	29	36	Hook with Screw Fitting
315	EACH	49	63	69	77	89	For Hollow Rods / Interior Fit Only
316 Small	EACH	33	42	46	50	60	Ring Bracket / Order in Full Inch Inner Diameter Increments
316 Large	EACH	61	77	85	94	109	Ring Bracket / Order in Full Inch Inner Diameter Increments
317	EACH	16	18	19	20	22	Eyelet Charge
320	EACH	46	60	65	71	84	For Hollow Rods / Interior Fit Only. Hinge size 1/2", 1": 2"x2", 1 1/4"-3": 3"x3"
321	EACH	17	21	23	25	29	Decorative Cap / Interior Fit Round Hollow Rods
322	EACH	125	125	125	125	125	Custom Elbow Angle Charge
323	EACH	30	30	30	30	30	Weld Charge

Master Carriers for Rods with Rings	Product #	Unit	Price	Sets Include:
Overlap Master Carrier Set in Iron Art Finishes	MCS-IA	EACH	24	<ul style="list-style-type: none"> • One straight master carrier for rings. • One overlap master carrier for rings. • Four rings (two for each carrier).
Overlap Master Carrier Set in Italian Finishes	MCS-IT	EACH	30	

Please see page 29 of the Catalog for more information on Overlap Master Carriers.

Rods: Ordering Information

1. Iron rods are available in 20' (240") lengths without a splice. By default, we splice any iron rod over 8'10" (106") to save on shipping charges using FedEx/UPS. Rods not specified as one piece in the order will be spliced in the center, unless a splice location is otherwise noted. Anything over 106" must be shipped by common carrier (truck line). Please note residential truck deliveries are restricted to 24' (288").
2. Rods can be mitered. Please add Product #307 (page 15) for miter charges.
3. Twist Hollow Rods, both regular and hammered, are made from the following:
 - a. 5/8" Twist Rod is made from a 1/2" Square Hollow Rod.
 - b. 7/8" Twist Rod is made from a 5/8" Square Hollow Rod.
 - c. 1" Twist Rod is made from a 3/4" Square Hollow Rod.
 - d. 1 1/4" Twist Rod is made from a 1" Square Hollow Rod.
4. Rope Rods are made from the following:
 - a. 3/4" Rope Rod is made from 4 Solid Rods each 5/16" dia.
 - b. 1 1/4" Rope Rod is made from four Hollow Rods each 1/2" dia.
 - c. 1 3/4" Rope Rod is made from seven Hollow Rods each 1/2" diameter.
5. We offer Twist Solid Rods. This is a custom product, so please call for a price quote. Due to weight considerations, a liability waiver may be required.

Rods: Page 19 of Catalog

Product # / Size	Unit	Iron Art Finishes				Custom Finish	Additional Information
		A	B	C	D		
Round Hollow Rods							
1/2", 5/8" Diameter	FOOT	14	17	18	21	24	Regular & Heavy Gauge / Can be Bent
3/4" Diameter	FOOT	14	17	18	22	25	Regular & Heavy Gauge / Can be Bent
1" Diameter	FOOT	18	25	27	28	33	Regular & Heavy Gauge / Can be Bent
1 1/4" Diameter	FOOT	24	28	30	33	39	Regular & Heavy Gauge / Can be Bent
1 1/2" Diameter	FOOT	26	31	35	38	43	Regular & Heavy Gauge / Can be Bent
2" Diameter	FOOT	31	40	43	46	54	Template Approval Required to Bend
3" Diameter	FOOT	40	50	55	58	69	Can NOT be Bent
Heavy Gauge Charge							
120	FOOT	18	18	18	18	18	Specific Diameter Round Hollow Rods Only
Round Hollow Hand Hammered Rods							
3/4" Diameter	FOOT	21	28	31	33	37	Can be Bent
1" Diameter	FOOT	28	35	38	40	49	Can be Bent
1 1/4" Diameter	FOOT	32	39	43	46	53	Can be Bent
1 1/2" Diameter	FOOT	34	43	48	51	59	Can be Bent
2" Diameter	FOOT	39	51	55	59	69	Template Approval Required to Bend
3" Diameter	FOOT	50	61	68	72	84	Can NOT be Bent
Solid Round Rods							
1/2" Diameter	FOOT	18	21	23	25	31	Can be Bent
3/4" Diameter	FOOT	21	28	31	32	37	Can be Bent
7/8" Diameter	FOOT	27	34	37	39	46	Can be Bent
Solid Round Hammered Rods							
1/2" Diameter	FOOT	21	28	31	32	37	Can be Bent. Max length 10'.
5/8" Diameter	FOOT	33	40	45	49	55	Can be Bent. Max length 10'.
3/4" Diameter	FOOT	38	50	53	58	67	Can be Bent. Max length 10'.
Twist Hollow Rods							
5/8" Diameter	FOOT	14	17	18	20	22	Can be Bent
7/8" Diameter	FOOT	21	27	30	32	36	Can be Bent
1" Diameter	FOOT	23	31	33	35	40	Can be Bent
1 1/4" Diameter	FOOT	40	52	56	61	71	Can be Bent

Rods: Page 19 of Catalog (continued)

Product # / Size	Unit	Iron Art Finishes				Custom Finish	Additional Information
		A	B	C	D		
Twist Hollow Hammered Rods							
5/8" Diameter	FOOT	27	34	37	39	46	Can be Bent
1" Diameter	FOOT	38	49	53	56	67	Can be Bent
1 1/4" Diameter	FOOT	55	70	77	82	96	Can be Bent
Square Hollow Rods							
1/2"	FOOT	15	18	21	22	27	Can NOT be Bent
3/4"	FOOT	15	18	21	22	27	Can NOT be Bent
1"	FOOT	18	24	27	28	32	Can NOT be Bent
1 1/4"	FOOT	22	28	30	32	38	Can NOT be Bent
1 1/2"	FOOT	25	31	33	36	42	Can NOT be Bent
2"	FOOT	31	39	42	45	53	Can NOT be Bent
Square Hammered Rods							
1/2" Solid	FOOT	20	25	28	31	35	Can NOT be Bent
3/4" Hollow	FOOT	30	36	39	42	49	Can NOT be Bent
1" Hollow	FOOT	34	42	48	51	58	Can NOT be Bent
Rope Rods							
3/4" Diameter Solid	FOOT	36	46	50	54	63	Can be Bent
1 1/4" Diameter Hollow	FOOT	38	47	53	56	65	Can be Bent
1 3/4" Diameter Hollow	FOOT	43	55	60	65	76	Template Approval Required to Bend
Wood Grain Solid Rods							
5/8" Diameter	FOOT	32	39	43	48	52	Can be Bent. Max length 10'.
3/4" Diameter	FOOT	42	53	58	63	72	Can be Bent. Max length 10'.
7/8" Diameter	FOOT	51	64	70	75	87	Can be Bent. Max length 10'.
Fluted Rods							
1 1/4" Diameter	FOOT	55	70	77	82	96	Can NOT be Bent
264 Rod with Returns							
3/4" - 2" Diameter	FOOT						See Page 34 for More Details
Rod Curve Charges - (Price Per Foot of Curve)							
101CV	FOOT	40	40	40	40	40	1/2" to 3/4" Diameter Rods
102CV	FOOT	46	46	46	46	46	1" to 1 1/2" Diameter Rods
103CV	FOOT	56	56	56	56	56	1 3/4" to 2" Diameter Rods
Rod Bend Charges - (Price Per Individual Bend)							
101BD	EACH	36	36	36	36	36	1/2" to 1" Diameter Rods
102BD	EACH	44	44	44	44	44	1 1/4" to 1 1/2" Diameter Rods
103BD	EACH	56	56	56	56	56	1 3/4" to 2" Diameter Rods

Brackets: Ordering Information

1. Standard bracket projections (measured from the wall to the center of the rod) and specifications are listed in the Bracket Guide. Any bracket **NOT** listed in Bracket Guide is a custom bracket.
2. Brackets with variations in height, diameter or projection are modified brackets.
Please refer to Product #1047 for the bracket modification charge.
3. Close-fitting brackets (1" projection or less) are not recommended for rods over 1" diameter with rings.
4. For 3" diameter rods, please add Product #1047. Standard projection is 5".

Brackets: Page 20 of Catalog

Product # <i>Shaded are Shown in Catalog</i>	Unit	Iron Art Finishes				Custom Finish	Additional Information
		A	B	C	D		
1010-RND/SQ	EACH	43	55	61	66	75	To Fit Round or Square Rods
1010P6-RND/SQ	EACH	55	70	76	82	96	To Fit Round or Square Rods
1011-RND/SQ	EACH	39	49	54	57	68	To Fit Round or Square Rods
1011P6-RND/SQ	EACH	55	70	76	82	96	To Fit Round or Square Rods
1021S-RND/SQ	EACH	32	41	45	48	55	To Fit Round or Square Rods
1021-RND/SQ	EACH	32	41	45	48	55	To Fit Round or Square Rods
1021P6-RND/SQ	EACH	39	49	53	57	67	To Fit Round or Square Rods
1024DBWS-RND/SQ	EACH	50	64	70	74	87	Double Bracket with Support to Fit Round or Square Rods / Same Diameter Front & Back
1024DBWS-VS-RND/SQ		Double Bracket with Support to Fit Round or Square Rods / Different Diameters for Front & Back Our Four Standard Sizes are Listed Below / Larger Diameter Rod in Front					
¾" & 1" Diameter	EACH	41	52	56	60	71	To Fit ¾" & 1" Diameter Rods
¾" & 1¼" Diameter	EACH	43	55	61	66	75	To Fit ¾" & 1¼" Diameter Rods
1" & 1¼" Diameter	EACH	47	58	66	70	81	To Fit 1" & 1¼" Diameter Rods
1" & 1½" Diameter	EACH	49	63	69	73	86	To Fit 1" & 1½" Diameter Rods
1027-RND/SQ	EACH	39	48	53	56	67	To Fit Round or Square Rods
1028-RND/SQ	EACH	27	33	38	40	46	To Fit Round or Square Rods
1028P6-RND/SQ	EACH	35	46	50	54	63	To Fit Round or Square Rods
1028HP-RND/SQ	EACH	24	31	33	35	42	For Round or Square Rods - Horizontal Plate Top Weld Standard - Center Weld on Request
1028HP-HDP3-RND/SQ	EACH	31	38	42	45	53	Rnd or Sq Rods - Horiz Plate - Top Weld Std Center Weld on Request - Heavy Duty
1028HPP6-RND/SQ	EACH	39	49	54	57	68	For Round or Square Rods - Horizontal Plate Top Weld Standard - Center Weld on Request
1028EXP-RND	EACH	45	56	63	67	76	To Fit Round Rods / Expandable
1028HDP3-RND/SQ	EACH	30	39	42	45	52	To Fit Round or Square Rods / Heavy Duty
1028WS-RND/SQ	EACH	39	49	54	57	68	To Fit Round or Square Rods / with Support
1028WSP6-RND/SQ	EACH	45	56	63	67	76	To Fit Round or Square Rods / with Support
1028EBP-RND/SQ	EACH	30	39	42	45	52	To Fit Round or Square Rods Extended Back Plate ¾" from Top
1028EBPP6-RND/SQ	EACH	35	46	50	54	63	To Fit Round or Square Rods Extended Back Plate ¾" from Top
1029P4-RND/SQ	EACH	39	49	54	57	68	To Fit Round or Square Rods
1029P6-RND/SQ	EACH	45	56	63	67	76	To Fit Round or Square Rods
1030-RND/SQ	EACH	39	49	54	57	68	To Fit Round or Square Rods
1030P6-RND/SQ	EACH	48	59	67	71	83	To Fit Round or Square Rods
1030SL-RND/SQ	EACH	30	39	42	45	52	To Fit Round or Square Rods Slim with ¾" Width
1030SLP6-RND/SQ	EACH	35	46	50	54	63	To Fit Round or Square Rods Slim with ¾" Width
1033-RND/SQ	EACH	46	57	63	68	77	To Fit Round or Square Rods
1033P6-RND/SQ	EACH	55	70	76	83	96	To Fit Round or Square Rods

Brackets: Page 20 of Catalog (continued)

Product # <i>Shaded are Shown in Catalog</i>	Unit	Iron Art Finishes				Custom Finish	Additional Information
		A	B	C	D		
1034-RND/SQ	EACH	33	42	46	49	57	To Fit Round or Square Rods
1034P6-RND/SQ	EACH	42	53	57	63	72	To Fit Round or Square Rods
1035-RND/SQ	EACH	28	34	38	41	47	To Fit Round or Square Rods Single / Ceiling Mount
1036-RND/SQ	EACH	42	53	57	63	72	To Fit Round or Square Rods Double / Ceiling Mount
1038-RND/SQ	EACH	54	67	75	81	94	To Fit Round or Square Rods Decorative Forged
1038P6-RND	EACH	63	78	88	94	110	To Fit Round Rods / Decorative Forged
1040-RND/SQ	EACH	28	34	38	41	47	To Fit Round or Square Rods
1040P6-RND/SQ	EACH	35	46	50	54	63	To Fit Round or Square Rods
1040HDP3-RND/SQ	EACH	30	39	42	45	52	To Fit Round or Square Rods / Heavy Duty
1040DBWS-RND/SQ	EACH	42	53	57	63	72	Double Bracket with Support to Fit Round or Square Rods / Same Diameter Front & Back
1040DBWS-VS-RND/SQ		Double Bracket with Support to Fit Round or Square Rods / Different Diameters for Front & Back Our Four Standard Sizes are Listed Below / Larger Diameter Rod in Front					
¾" & 1" Diameter	EACH	42	53	57	63	72	To Fit ¾" & 1" Diameter Rods
¾" & 1¼" Diameter	EACH	45	56	63	67	76	To Fit ¾" & 1¼" Diameter Rods
1" & 1¼" Diameter	EACH	48	59	67	71	83	To Fit 1" & 1¼" Diameter Rods
1" & 1½" Diameter	EACH	50	64	71	75	88	To Fit 1" & 1½" Diameter Rods
1040EBP-RND/SQ	EACH	28	34	38	41	47	To Fit Round or Square Rods Extended Back Plate ¾" from Top
1040EBPP6-RND/SQ	EACH	35	46	50	54	63	To Fit Round or Square Rods Extended Back Plate ¾" from Top
1040HP-RND/SQ	EACH	24	31	33	35	42	For Round or Square Rods - Horizontal Plate Top Weld Standard - Center Weld on Request
1040HP-HDP3-RND/SQ	EACH	31	38	42	45	53	Rnd or Sq Rods - Horiz Plate - Top Weld Std Center Weld on Request - Heavy Duty
1040HPP6-RND/SQ	EACH	35	46	50	54	63	For Round or Square Rods - Horizontal Plate Top Weld Standard - Center Weld on Request
1040WS-RND/SQ	EACH	35	46	50	54	63	To Fit Round or Square Rods / with Support
1040WSP6-RND/SQ	EACH	42	53	57	63	72	To Fit Round or Square Rods / with Support
1040EXP-RND	EACH	48	59	67	71	83	To Fit Round Rods / Expandable
1045 (catalog page 24)	EACH	16	19	21	23	27	Top Rod Support / Heavy Duty
1046	EACH	30	39	42	45	52	⅜" and ½" Round Bars for French Doors Projection: 1½"
1047	EACH	50	50	50	50	50	Bracket Modification Charge

Decorative Brackets: Page 20 of Catalog

1100P3-RND/SQ	EACH	43	54	60	64	74	To Fit Round or Square Rods Specify Left or Right
1100P6-RND/SQ	EACH	47	62	67	71	84	To Fit Round or Square Rods Specify Left or Right
1102P3-RND/SQ	EACH	39	48	53	58	67	To Fit Round or Square Rods
1102P6-RND/SQ	EACH	46	60	65	69	81	To Fit Round or Square Rods
1103P3-RND/SQ	EACH	37	45	49	53	63	To Fit Round or Square Rods
1103P6-RND/SQ	EACH	44	56	62	65	76	To Fit Round or Square Rods
1104P3-RND/SQ	EACH	54	68	75	80	93	To Fit Round or Square Rods
1104P6-RND/SQ	EACH	63	80	87	93	109	To Fit Round or Square Rods
1105P3-RND/SQ	EACH	51	66	71	78	90	To Fit Round or Square Rods
1105P6-RND/SQ	EACH	61	76	84	89	104	To Fit Round or Square Rods
1106P3-RND/SQ	EACH	54	69	76	81	95	To Fit Round or Square Rods Specify Left or Right
1106P6-RND/SQ	EACH	65	84	91	97	113	To Fit Round or Square Rods Specify Left or Right

Bracket Guide: Projections for Various Rod Diameters and Gauges

Product # <i>Shaded are Shown in Catalog</i> Refer to Pages 18 & 19 for Pricing	Regular Gauge (1/8" Thick) (Not Heavy Duty)									Heavy Gauge (3/16" Thick) (Heavy Duty)											
	Rod Diameter																				
	1/2"			3/4"			1"			1 1/4"			1 1/2"			1 3/4"			2"		
	P = Projection • W = Back Plate Width • H = Back Plate Height • D = Drop																				
BRACKETS	P	W	H	P	W	H	P	W	H	P	W	H	P	W	H	P	W	H	P	W	H
1010-RND/SQ	3"	2"	2"	3"	2"	2"	3"	2"	2"	3"	2"	2"	3"	2"	2"	4"	2"	2"	4"	2"	2"
1010P6-RND/SQ	6"	2"	2"	6"	2"	2"	6"	2"	2"	6"	2"	2"	6"	2"	2"	6"	2"	2"	6"	2"	2"
1011-RND/SQ	3"	2"	2 3/4"	3"	2"	2 3/4"	3"	2"	2 3/4"	3"	2"	2 3/4"	3"	2"	2 3/4"	4"	2"	2 3/4"	4"	2"	2 3/4"
1011P6-RND/SQ	6"	2"	2 3/4"	6"	2"	2 3/4"	6"	2"	2 3/4"	6"	2"	2 3/4"	6"	2"	2 3/4"	6"	2"	2 3/4"	6"	2"	2 3/4"
1021S-RND/SQ	1 1/2"	1"	4"	1 1/2"	1"	4"	1 1/2"	1"	4 1/4"	1 1/2"	1"	4 3/4"	2"	1"	5"	2"	1"	5"	2"	1"	5 1/2"
1021-RND/SQ	3"	1"	4 1/2"	3"	1"	4 1/2"	3"	1"	4 1/2"	3"	1"	5"	3"	1"	5"	4"	1"	5"	4"	1"	5 1/2"
1021P6-RND/SQ	6"	1"	6"	6"	1"	6"	6"	1"	6"	6"	1"	6 1/2"	6"	1"	6 1/2"	6"	1"	6 1/2"	6"	1"	6 3/4"
1024DBWS-RND/SQ	3"/6"	1"	4"	3"/6"	1"	4"	3"/6"	1"	4"	3"/6"	1"	4"	3"/6"	1"	4"	4"/8"	1"	4"	4"/8"	1"	4 1/2"
1024DBWS-VS-RND/SQ	Double bracket with support to fit round or square rods. Different diameters for front & back. Our four standard sizes are listed below. Larger diameter rod is in the front.																				
To Fit 3/4" & 1" Dia. Rods				3"	1"	4"	6"	1"	4"												
To Fit 3/4" & 1 1/4" Dia. Rods				3"	1"	4"				6"	1"	4"									
To Fit 1" & 1 1/4" Dia. Rods							3"	1"	4"	6"	1"	4"									
To Fit 1" & 1 1/2" Dia. Rods							3"	1"	4"				6"	1"	4"						
1027-RND/SQ <small>round square</small>	4"	1/2"	4 1/2" 5 1/2"	4"	1/2"	4 1/2" 5 1/2"	4"	1/2"	4 1/2" 5 1/2"	4"	1/2"	4 3/4" 5 3/4"	4"	1/2"	4 3/4" 5 3/4"	4 1/2"	1/2"	4 3/4" 5 3/4"	4 1/2"	1/2"	4 3/4" 5 3/4"
1028-RND/SQ	3"	1"	3 1/4"	3"	1"	3 1/4"	3"	1"	3 1/4"	3"	1"	3 1/4"	3"	1"	3 1/4"	4"	1"	3 1/4"	4"	1"	4"
1028P6-RND/SQ	6"	1"	3 1/4"	6"	1"	3 1/4"	6"	1"	3 1/4"	6"	1"	3 1/4"	6"	1"	3 1/4"	6"	1"	3 1/4"	6"	1"	3 1/4"
1028HP-RND/SQ	3"	3"	1"	3"	3"	1"	3"	3"	1"	3"	3"	1"	3"	3"	1"	4"	3"	1"	4"	3"	1"
1028HP-HDP3-RND/SQ	3"	3"	1"	3"	3"	1"	3"	3"	1"	3"	3"	1"	3"	3"	1"	4"	3"	1"	4"	3"	1"
1028HPP6-RND/SQ	6"	3"	1"	6"	3"	1"	6"	3"	1"	6"	3"	1"	6"	3"	1"	6"	3"	1"	6"	3"	1"
1028EXP-RND	3-4 1/4"	1"	3 1/4"	3-4 1/4"	1"	3 1/4"	3-4 1/4"	1"	3 1/4"	3-4 1/4"	1"	3 1/4"	3-4 1/4"	1"	3 1/4"	3-4 1/4"	1"	3 1/4"	4-5 1/4"	1"	3 1/4"
1028HDP3-RND/SQ	3"	1"	3 1/4"	3"	1"	3 1/4"	3"	1"	3 1/4"	3"	1"	3 1/4"	3"	1"	3 1/4"	4"	1"	3 1/4"	4"	1"	4"
1028WS-RND/SQ	3"	1"	4"	3"	1"	4"	3"	1"	4"	3"	1"	4"	3"	1"	4"	4"	1"	4"	4"	1"	4"
1028WSP6-RND/SQ	6"	1"	4"	6"	1"	4"	6"	1"	4"	6"	1"	4"	6"	1"	4"	6"	1"	4"	6"	1"	4"
1028EBP-RND/SQ	3"	1"	4"	3"	1"	4"	3"	1"	4"	3"	1"	4"	3"	1"	4"	4"	1"	4"	4"	1"	4"
1028EBPP6-RND/SQ	6"	1"	4"	6"	1"	4"	6"	1"	4"	6"	1"	4"	6"	1"	4"	6"	1"	4"	6"	1"	4"
1029P4-RND/SQ	4"	1"	3 1/2"	4"	1"	3 1/2"	4"	1"	3 1/2"	4"	1"	4"	4"	1"	4"	4"	1"	4"	4"	1"	4"
1029P6-RND/SQ	6"	1"	4"	6"	1"	4"	6"	1"	4"	6"	1"	4"	6"	1"	4"	6"	1"	4"	6"	1"	4"
1030-RND/SQ	3"	1"	3 1/4"	3"	1"	3 1/4"	3"	1"	3 1/4"	3"	1"	3 1/2"	3"	1"	3 1/2"	4"	1"	3 1/2"	4"	1"	4"
1030P6-RND/SQ	6"	1"	3 1/4"	6"	1"	3 1/4"	6"	1"	3 1/4"	6"	1"	3 1/2"	6"	1"	3 1/2"	6"	1"	3 1/2"	6"	1"	4"
1030SL-RND/SQ	3"	1/2"	3"	3"	1/2"	3"	3"	1/2"	3"	3"	1/2"	3 1/2"	3"	1/2"	3 1/2"	4"	1/2"	3 1/2"	4"	1/2"	4"
1030SLP6-RND/SQ	6"	1/2"	3"	6"	1/2"	3"	6"	1/2"	3"	6"	1/2"	3 1/2"	6"	1/2"	3 1/2"	6"	1/2"	3 1/2"	6"	1/2"	4"
1033-RND/SQ	3"	1"	3 1/2"	3"	1"	3 1/2"	3"	1"	3 1/2"	3"	1"	3 1/2"	3"	1"	3 1/2"	4"	1"	3 1/2"	4"	1"	4 1/2"
1033P6-RND/SQ	6"	1"	3 1/2"	6"	1"	3 1/2"	6"	1"	3 1/2"	6"	1"	3 1/2"	6"	1"	3 1/2"	6"	1"	3 1/2"	6"	1"	4 1/2"
1034-RND/SQ	3"	1"	3 1/4"	3"	1"	3 1/4"	3"	1"	3 1/2"	3"	1"	3 1/2"	3"	1"	3 1/2"	4"	1"	3 1/2"	4"	1"	4"
1034P6-RND/SQ	6"	1"	3 1/4"	6"	1"	3 1/4"	6"	1"	3 1/2"	6"	1"	3 1/2"	6"	1"	3 1/2"	6"	1"	3 1/2"	6"	1"	4"
1035-RND/SQ	D2" P3"	1"	2"	D2" P3"	1"	2"	D2" P3"	1"	2"	D3" P3"	1"	2"	D3" P3"	1"	2"	D4" P3"	1"	2"	D4" P3"	1"	2"
1036-RND/SQ	D2" P3/6"	1"	2"	D2" P3/6"	1"	2"	D2" P3/6"	1"	2"	D3" P3/6"	1"	2"	D3" P3/6"	1"	2"	D4" P4/8"	1"	2"	D4" P4/8"	1"	2"

Bracket Guide: (continued)

Product # <i>Shaded are Shown in Catalog</i> Refer to Pages 18 & 19 for Pricing	Regular Gauge (1/8" Thick) (Not Heavy Duty)									Heavy Gauge (3/16" Thick) (Heavy Duty)											
	Rod Diameter																				
	1/2"			3/4"			1"			1 1/4"			1 1/2"			1 3/4"			2"		
	P = Projection • W = Back Plate Width • H = Back Plate Height • D = Drop																				
BRACKETS	P	W	H	P	W	H	P	W	H	P	W	H	P	W	H	P	W	H	P	W	H
1038-RND/SQ	4"	1/2"	6 1/2"	4"	1/2"	6 1/2"	4"	1/2"	6 1/2"	4"	1/2"	6 1/2"	4"	1/2"	6 1/2"	4"	1/2"	6 1/2"	4"	1/2"	6 1/2"
1038P6-RND	6"	1/2"	6 1/2"	6"	1/2"	6 1/2"	6"	1/2"	6 1/2"	6"	1/2"	6 1/2"	6"	1/2"	6 1/2"	6"	1/2"	6 1/2"	6"	1/2"	6 1/2"
1040-RND/SQ	3"	1"	3 1/4"	3"	1"	3 1/4"	3"	1"	3 1/4"	3"	1"	3 1/4"	3"	1"	3 1/4"	4"	1"	3 1/4"	4"	1"	4"
1040P6-RND/SQ	6"	1"	3 1/4"	6"	1"	3 1/4"	6"	1"	3 1/4"	6"	1"	3 1/4"	6"	1"	3 1/4"	6"	1"	3 1/4"	6"	1"	3 1/4"
1040HDP3-RND/SQ	3"	1"	3 1/4"	3"	1"	3 1/4"	3"	1"	3 1/4"	3"	1"	3 1/4"	3"	1"	3 1/4"	4"	1"	3 1/4"	4"	1"	4"
1040DBWS-RND/SQ	3 1/6"	1"	4"	3 1/6"	1"	4"	3 1/6"	1"	4"	3 1/6"	1"	4"	3 1/6"	1"	4"	4 1/8"	1"	4"	4 1/8"	1"	4 1/2"
1040DBWS-VS-RND/SQ	Double bracket with support to fit round or square rods. Different diameters for front & back. Our four standard sizes are listed below. Larger diameter rod is in the front.																				
To Fit 3/4" & 1" Dia. Rods				3"	1"	4"	6"	1"	4"												
To Fit 3/4" & 1 1/4" Dia. Rods				3"	1"	4"				6"	1"	4"									
To Fit 1" & 1 1/4" Dia. Rods							3"	1"	4"	6"	1"	4"									
To Fit 1" & 1 1/2" Dia. Rods							3"	1"	4"				6"	1"	4"						
1040EBP-RND/SQ	3"	1"	4"	3"	1"	4"	3"	1"	4"	3"	1"	4"	3"	1"	4"	4"	1"	4"	4"	1"	4"
1040EBPP6-RND/SQ	6"	1"	4"	6"	1"	4"	6"	1"	4"	6"	1"	4"	6"	1"	4"	6"	1"	4"	6"	1"	4"
1040HP-RND/SQ	3"	3"	1"	3"	3"	1"	3"	3"	1"	3"	3"	1"	3"	3"	1"	4"	3"	1"	4"	3"	1"
1040HP-HDP3-RND/SQ	3"	3"	1"	3"	3"	1"	3"	3"	1"	3"	3"	1"	3"	3"	1"	4"	3"	1"	4"	3"	1"
1040HPP6-RND/SQ	6"	3"	1"	6"	3"	1"	6"	3"	1"	6"	3"	1"	6"	3"	1"	6"	3"	1"	6"	3"	1"
1040WS-RND/SQ	3"	1"	4"	3"	1"	4"	3"	1"	4"	3"	1"	4"	3"	1"	4"	4"	1"	4"	4"	1"	4"
1040WSP6-RND/SQ	6"	1"	4"	6"	1"	4"	6"	1"	4"	6"	1"	4"	6"	1"	4"	6"	1"	4"	6"	1"	4"
1040EXP-RND	3-4 1/4"	1"	3 1/4"	3-4 1/4"	1"	3 1/4"	3-4 1/4"	1"	3 1/4"	3-4 1/4"	1"	3 1/4"	3-4 1/4"	1"	3 1/4"	3-4 1/4"	1"	3 1/4"	4-5 1/4"	1"	3 1/4"
1045 (cat. page 24)	N/A	1/2"	1 1/2"	N/A	1/2"	1 1/2"	N/A	1/2"	1 1/2"	N/A	1/2"	2"	N/A	1/2"	2"	N/A	1/2"	2"	N/A	1/2"	2"
1046	1 1/2"	1"	1 1/4"	1 1/2"	1"	1 1/4"	1 1/2"	1"	1 1/4"	1 1/2"	1"	2"	2"	1"	2"	3"	1"	3"	3"	1"	3"
DECORATIVE BRACKETS																					
1100P3-RND/SQ	3"	1"	3"	3"	1"	3"	3"	1"	3"	3"	1"	3"	3"	1"	3"	4"	1"	3"	4"	1"	3"
1100P6-RND/SQ	6"	1"	3"	6"	1"	3"	6"	1"	3"	6"	1"	3"	6"	1"	3"	6"	1"	3"	6"	1"	3"
1102P3-RND/SQ	3"	1"	3"	3"	1"	3"	3"	1"	3"	3"	1"	3"	3"	1"	3"	4"	1"	3"	4"	1"	3"
1102P6-RND/SQ	6"	1"	3"	6"	1"	3"	6"	1"	3"	6"	1"	3"	6"	1"	3"	6"	1"	3"	6"	1"	3"
1103P3-RND/SQ	3"	1"	3"	3"	1"	3"	3"	1"	3"	3"	1"	3"	3"	1"	3"	4"	1"	3"	4"	1"	3"
1103P6-RND/SQ	6"	1"	3"	6"	1"	3"	6"	1"	3"	6"	1"	3"	6"	1"	3"	6"	1"	3"	6"	1"	3"
1104P3-RND/SQ	3"	1"	3"	3"	1"	3"	3"	1"	3"	3"	1"	3"	3"	1"	3"	4"	1"	3"	4"	1"	3"
1104P6-RND/SQ	6"	1"	3"	6"	1"	3"	6"	1"	3"	6"	1"	3"	6"	1"	3"	6"	1"	3"	6"	1"	3"
1105P3-RND/SQ	3"	1"	3"	3"	1"	3"	3"	1"	3"	3"	1"	3"	3"	1"	3"	4"	1"	3"	4"	1"	3"
1105P6-RND/SQ	6"	1"	3"	6"	1"	3"	6"	1"	3"	6"	1"	3"	6"	1"	3"	6"	1"	3"	6"	1"	3"
1106P3-RND/SQ	3"	1"	3"	3"	1"	3"	3"	1"	3"	3"	1"	3"	3"	1"	3"	4"	1"	3"	4"	1"	3"
1106P6-RND/SQ	6"	1"	3"	6"	1"	3"	6"	1"	3"	6"	1"	3"	6"	1"	3"	6"	1"	3"	6"	1"	3"
RND = Round	Round Hollow, Round Hollow Hammered, Solid Round, Solid Round Hammered, Twist Hollow, Rope, Wood Grain Solid, Fluted, and Twist Hollow Hammered																				
SQ = Square	Square Hollow, Square Hollow Hammered																				

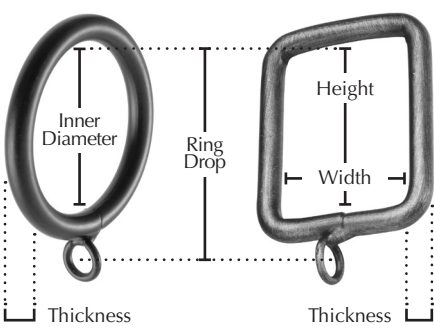
Iron Art Rings: Ordering Information

1. Ring diameters are specified for size of rods. Please specify ring size by the size of rod in the order.
2. Rings are made of solid iron.

Iron Art Rings: Page 21 of Catalog

Product # (Rod Diameter)	Unit	Iron Art Finishes				Custom Finish	Additional Information
		A	B	C	D		
350 (1/4" - 1/2")	EACH	6	6.5	7.5	8	9.5	
350 (5/8" - 2")	EACH	6.5	7.5	8.5	9	10.5	
350 (2 1/4" - 3")	EACH	11.5	14	15	16	17	
351 (5/8" - 2")	EACH	8.5	9	9.5	10	12	
351 (2 1/4" - 3")	EACH	11.5	14	15.5	16.5	18.5	
352 (1/2" - 1")	EACH	8	8.5	9	10	11.5	
352 (1 1/4" - 2")	EACH	8.5	9	10	10.5	12	
353 (1/2")	EACH	7.5	9	10	10.5	12	
353 (5/8" - 2")	EACH	8	10	11	11.5	12.5	
353 (2 1/4" - 3")	EACH	11	13	14.5	15.5	18.5	
354 (1/2")	EACH	9	9.5	10	10.5	12	
354 (5/8" - 2")	EACH	9.5	10	11.5	12	13	
354 (2 1/4" - 3")	EACH	11.5	12	13	14.5	16	
355 (1/2" - 1 1/4")	EACH	8.5	9	9.5	10.5	12	
355 (1 3/8" - 2")	EACH	8.5	9.5	10	11	12.5	
355 (2 1/4" - 3")	EACH	11.5	14	15	16	17.5	
356 (1/2")	EACH	7	7.5	8	8.5	10	
356 (5/8" - 2")	EACH	8.5	9	9.5	10.5	11.5	
356 (2 1/4" - 3")	EACH	10	12	13	14.5	16.5	
330 (3/4" - 1 1/2")	EACH	8	10	11.5	12.5	15	
330 (2" - 3")	EACH	8.5	10.5	12	13	15.5	

Iron Art Rings: A Guide to Sizes

Ring Type	Rod/Pole Outer Diameter	Ring Inner Diameter*	Ring Outer Diameter	Thickness	Ring Drop
350 Smooth Round Ring 	1/4" **	3/4"	1 1/4"	1/4"	1 1/4"
	1/2"	1"	1 1/2"	1/4"	1 1/2"
	3/4"	1 1/4"	1 3/4"	1/4"	1 3/4"
	1"	1 1/2"	2"	1/4"	2"
	1 1/4"	1 3/4"	2 1/4"	1/4"	2 1/4"
	1 1/2"	2"	2 1/2"	1/4"	2 1/2"
	2"	2 1/2"	3"	1/4"	3"
	2 1/2"	3"	3 1/2"	1/4"	3 1/2"
	3"	3 1/2"	4"	1/4"	4"
	3 1/2" **	4"	4 1/2"	1/4"	4 1/2"
351 Twisted Ring	3/4"	1 1/4"	1 7/8"	5/16"	1 3/4"
	1"	1 1/2"	2 1/8"	5/16"	2"
	1 1/4"	1 3/4"	2 3/8"	5/16"	2 1/4"
	1 1/2"	2"	2 5/8"	5/16"	2 1/2"
	2"	2 1/2"	3 1/8"	5/16"	3"
	2 1/2"	3"	3 5/8"	5/16"	3 7/16"
3 1/2" **	4"	4 5/8"	5/16"	4 9/16"	

*We recommend the ring's inner diameter to be 1/2" larger than the rod diameter. 4 rings is recommended per foot.

22 **Ring will fit this size rod, but Orion does not carry it in this size.

Iron Art Rings: A Guide to Sizes (continued)

Ring Type	Rod/Pole Outer Diameter	Ring Inner Diameter*	Ring Outer Diameter	Thickness	Ring Drop
352 Square Ring	1/2"	3/4"W x 1 1/8"H	1 1/4"W x 1 5/8"H	1/4"	1 5/8"
	3/4"	1"W x 1 1/2"H	1 1/2"W x 2"H	1/4"	2"
	1"	1 1/4"W x 1 3/4"H	1 3/4"W x 2 1/4"H	1/4"	2 1/4"
	1 1/4"	1 1/2"W x 2"H	2"W x 2 1/2"H	1/4"	2 1/2"
	1 1/2"	2"W x 2 1/2"H	2 1/2"W x 3"H	1/4"	3"
	2"	2 1/2"W x 3"H	3"W x 3 1/2"H	1/4"	3 1/2"
353 Forged Ring	1/2"	1"	1 1/2"	1/4"	1 9/16"
	3/4"	1 1/4"	1 3/4"	1/4"	1 13/16"
	1"	1 1/2"	2"	1/4"	2 1/16"
	1 1/4"	1 3/4"	2 1/4"	1/4"	2 1/4"
	1 1/2"	2"	2 1/2"	1/4"	2 9/16"
	2"	2 1/2"	3"	1/4"	3 1/16"
	2 1/2"	3"	3 1/2"	1/4"	3 5/8"
	3"	3 1/2"	4"	1/4"	4 1/16"
3 1/2" **	4"	4 1/2"	1/4"	4 9/16"	
354 Hook Ring	1/2"	1"	1 1/2"	1/4"	1 1/2"
	3/4"	1 1/4"	1 3/4"	1/4"	1 3/4"
	1"	1 1/2"	2"	1/4"	2"
	1 1/4"	1 3/4"	2 1/4"	1/4"	2 1/4"
	1 1/2"	2"	2 1/2"	1/4"	2 1/2"
	2"	2 1/2"	3"	1/4"	3"
	2 1/2"	3"	3 1/2"	1/4"	3 1/2"
3"	3 1/2"	4"	1/4"	4"	
355 Smooth Round Ring with Clip	1/2"	1"	1 1/2"	1/4"	2 1/8"
	3/4"	1 1/4"	1 3/4"	1/4"	2 3/8"
	1"	1 1/2"	2"	1/4"	2 5/8"
	1 1/4"	1 3/4"	2 1/4"	1/4"	2 7/8"
	1 1/2"	2"	2 1/2"	1/4"	3 1/8"
	2"	2 1/2"	3"	1/4"	3 5/8"
	2 1/2"	3"	3 1/2"	1/4"	4 1/8"
	3"	3 1/2"	4"	1/4"	4 5/8"
3 1/2" **	4"	4 1/2"	1/4"	5 1/8"	
356 Hammered Round Ring	1/2"	1"	1 1/2"	1/4"	1 1/2"
	3/4"	1 1/4"	1 3/4"	1/4"	1 3/4"
	1"	1 1/2"	2"	1/4"	2"
	1 1/4"	1 3/4"	2 1/4"	1/4"	2 1/4"
	1 1/2"	2"	2 1/2"	1/4"	2 1/2"
	2"	2 1/2"	3"	1/4"	3"
	2 1/2"	3"	3 1/2"	1/4"	3 1/2"
3"	3 1/2"	4"	1/4"	4"	
330 Bypass Ring	3/4"	1 1/4"	1 3/4"	1/4"	1 3/4"
	1"	1 1/2"	2"	1/4"	2"
	1 1/4"	1 3/4"	2 1/4"	1/4"	2 1/4"
	1 1/2"	2"	2 1/2"	1/4"	2 1/2"
	2"	2 1/2"	3"	1/4"	3"
3"	3 1/2"	4"	1/4"	4"	

*We recommend the ring's inner diameter to be 1/2" larger than the rod diameter.

**Ring will fit this size rod, but Orion does not carry it in this size.

Swing Arms: Ordering Information

1. Please specify left or right orientation and length with end finial included.
2. Swing arm pricing is for the configurations pictured in the catalog only.
 - a. Swing arm #1093 is shown with a movable finial Product #929MV (page 12), which is an additional charge and is **NOT** included in the swing arm price.
 - b. Swing arm #1094 includes five equally spaced eyelets in the price. Additional eyelets are available. Please add Product #317 for each additional eyelet.
3. Mounting plates are available as R1, R2, and D3 styles, and are interchangeable upon request at no additional cost.
4. Swing arm support brackets are available as shown in the catalog. Please add Product #1099 to the order.
5. Please refer to minimum lengths as specified in the catalog.
6. Measurements are based from the end of the back plate to the outer tip of the finial.
7. Standard projection is 1/2". Please specify Product #1097 for a 3" projection and #1098 for a 6" projection.
8. Any finial can be utilized. Please add the finial price to the swing arm price.
9. All swing arms are hollow.

Swing Arms: Page 21 of Catalog

Product # / Size	Unit	Iron Art Finishes				Custom Finish	Additional Information
		A	B	C	D		
1074 - 1/2" Diameter Round Rods							
12" Length	EACH	47	61	66	70	83	Max. Weight for 1/2" Dia.: 3lbs.
18" Length	EACH	55	69	77	83	96	Max. Weight for 1/2" Dia.: 3lbs.
24" Length	EACH	63	80	88	94	110	Max. Weight for 1/2" Dia.: 3lbs.
30" Length	EACH	63	80	88	94	110	Max. Weight for 1/2" Dia.: 3lbs.
36" Length	EACH	68	87	95	102	119	Max. Weight for 1/2" Dia.: 3lbs.
1074A - 3/4" Diameter Round Rods							
12" Length	EACH	52	67	73	79	91	Max. Weight for 3/4" Dia.: 5lbs.
18" Length	EACH	59	73	82	86	101	Max. Weight for 3/4" Dia.: 5lbs.
24" Length	EACH	65	84	91	99	115	Max. Weight for 3/4" Dia.: 5lbs.
30" Length	EACH	68	87	95	102	119	Max. Weight for 3/4" Dia.: 5lbs.
36" Length	EACH	75	96	107	113	133	Max. Weight for 3/4" Dia.: 5lbs.
1075 - 3/4" Diameter Round Rods - Minimum Length is 18"							
18" Length	EACH	102	130	143	153	179	Max. Weight for 3/4" Dia.: 5lbs.
24" Length	EACH	108	137	151	161	188	Max. Weight for 3/4" Dia.: 5lbs.
30" Length	EACH	118	151	165	176	206	Max. Weight for 3/4" Dia.: 5lbs.
36" Length	EACH	125	160	176	189	221	Max. Weight for 3/4" Dia.: 5lbs.
1090 - 5/8" Diameter Twist Hollow Rods							
12" Length	EACH	68	87	96	103	119	Max. Weight for 5/8" Dia.: 3lbs.
18" Length	EACH	75	96	107	113	133	Max. Weight for 5/8" Dia.: 3lbs.
24" Length	EACH	84	107	117	125	146	Max. Weight for 5/8" Dia.: 3lbs.
30" Length	EACH	89	113	124	133	155	Max. Weight for 5/8" Dia.: 3lbs.
36" Length	EACH	97	123	136	145	169	Max. Weight for 5/8" Dia.: 3lbs.

Swing Arms: Page 21 of Catalog (continued)

Product # / Size	Unit	Iron Art Finishes				Custom Finish	Additional Information
		A	B	C	D		
1091 - 3/4" Diameter Round Rods - Minimum Length is 36"							
36" Length	EACH	185	236	259	278	325	Max. Weight for 3/4" Dia.: 5lbs.
40" Length	EACH	193	247	271	291	338	Max. Weight for 3/4" Dia.: 5lbs.
48" Length	EACH	204	260	286	306	356	Max. Weight for 3/4" Dia.: 5lbs.
1092 3/4" Diameter Round Rods - Minimum Length is 18"							
18" Length	EACH	146	187	205	221	256	Max. Weight for 3/4" Dia.: 5lbs.
24" Length	EACH	152	193	212	227	265	Max. Weight for 3/4" Dia.: 5lbs.
30" Length	EACH	160	204	224	239	279	Max. Weight for 3/4" Dia.: 5lbs.
36" Length	EACH	167	213	234	251	293	Max. Weight for 3/4" Dia.: 5lbs.
1093 - 1" Diameter Round Rods (Birds not included. Add Product #929MV on page 12)							
12" Length	EACH	102	130	143	153	179	Max. Weight for 1" Dia.: 5lbs.
18" Length	EACH	108	137	151	161	188	Max. Weight for 1" Dia.: 5lbs.
24" Length	EACH	112	144	158	169	197	Max. Weight for 1" Dia.: 5lbs.
30" Length	EACH	121	153	168	181	211	Max. Weight for 1" Dia.: 5lbs.
36" Length	EACH	123	157	172	184	215	Max. Weight for 1" Dia.: 5lbs.
1094 - 1/2" Square Solid Rods							
12" Length	EACH	162	206	227	244	284	Max. Weight for 1/2" Dia.: 3lbs. 5 Eyelets Included
18" Length	EACH	167	213	234	251	293	Max. Weight for 1/2" Dia.: 3lbs. 5 Eyelets Included
24" Length	EACH	172	221	242	258	302	Max. Weight for 1/2" Dia.: 3lbs. 5 Eyelets Included
30" Length	EACH	179	227	249	267	311	Max. Weight for 1/2" Dia.: 3lbs. 5 Eyelets Included
36" Length	EACH	189	239	264	283	329	Max. Weight for 1/2" Dia.: 3lbs. 5 Eyelets Included
317	EACH	16	18	19	20	22	Eyelet Charge
1097	EACH	36	44	48	52	62	3" Projection Bracket
1098	EACH	40	50	56	61	69	6" Projection Bracket
1099	EACH	20	25	27	29	36	Support Bracket

Tiebacks / Swag Holders: Ordering Information

1. All finials can be utilized to make tiebacks and swag holders.
Please add product #1087 for "U" Shape Bend (3½" projection), #1088 for Expandable Post Projection (3" to 4½" projection), or #1088FX for Fixed Post Projection (3", 4", or 6½" projections).
2. Please specify center facing or vertical orientation of Expandable Post Projection Tieback in the order.
3. Please specify left or right orientation of tiebacks and swag holders, as applicable.
4. Tiebacks and swag holders can be used as finials.

Tiebacks / Swag Holders: Pages 22 & 23 of Catalog

Product #	Unit	Iron Art Finishes				Custom Finish	Additional Information
		A	B	C	D		
715	EACH	38	47	52	57	66	Specify Left or Right
716	EACH	48	62	67	71	85	Specify Left or Right
929 TB	EACH	43	55	61	64	75	Specify Left or Right
933 TB	EACH	43	55	61	64	75	Only Available as Shown in Catalog
977	EACH	41	50	56	61	70	
1003	EACH	41	50	57	61	70	
1004	EACH	41	50	57	61	70	
1005	EACH	57	71	79	85	99	
1006	EACH	59	73	82	86	101	Only Available as "U" Shape Bend
1007	EACH	57	71	79	85	99	
1008	EACH	64	83	90	96	112	
1013	EACH	33	41	45	48	57	
1026	EACH	44	56	62	66	77	
1031	EACH	39	48	53	59	67	
1032	EACH	46	60	65	69	82	Only Available as Shown in Catalog
1037	EACH	49	63	69	74	86	Specify Left or Right
1039	EACH	50	65	70	77	89	Specify Left or Right
1057	EACH	50	65	70	77	89	
1058	EACH	50	65	70	77	89	
1059	EACH	38	47	52	57	66	
1060	EACH	38	47	52	57	66	
1061	EACH	48	62	67	71	85	
1063	EACH	46	59	64	68	80	
1064	EACH	43	55	61	64	75	
1065	EACH	36	44	48	52	62	Only Available as Shown in Catalog
1066	EACH	43	55	61	64	75	
1067	EACH	62	79	86	92	108	
1068	EACH	50	65	70	77	89	Specify Left or Right
1069	EACH	69	89	97	105	122	Specify Left or Right
1070	EACH	53	68	75	80	94	Specify Left or Right
1071	EACH	53	68	75	80	94	Hand Forged

Tiebacks / Swag Holders: Page 23 of Catalog (continued)

Product #	Unit	Iron Art Finishes				Custom Finish	Additional Information
		A	B	C	D		
1072	EACH	49	64	69	74	87	
1073	EACH	41	50	56	61	70	
1076	EACH	43	55	61	64	75	
1077	EACH	43	55	61	64	75	
1078	EACH	48	63	68	73	86	
1079	EACH	52	66	71	78	90	
1080	EACH	52	66	73	78	91	
1081	EACH	41	50	56	61	70	Only Available as Shown in Catalog
1082	EACH	43	55	61	64	75	
1083	EACH	38	47	52	57	66	
1084	EACH	45	59	64	68	80	
1085	EACH	60	75	83	88	103	
1086	EACH	25	33	37	39	45	
1087	EACH	23	29	33	36	42	"U" Shape Bend Charge for Finials 3½" Projection
1088	EACH	24	31	34	37	42	Expandable Post Projection -¼" thick Charge for Finials: 3"-4½" Projection
1088FX-300	EACH	27	35	37	40	48	Fixed Post Projection with Mounting. ½" thick. Plate Charge for Finials: 3"P, 3⅛" Dia.
1088FX-400	EACH	27	35	37	40	48	Fixed Post Projection with Mounting. ½" thick. Plate Charge for Finials: 4"P, 3⅛" Dia.
1088FX-650	EACH	27	35	37	40	48	Fixed Post Projection with Mounting. ½" thick. Plate Charge for Finials: 6½"P, 3⅛" Dia.
2087	EACH	19	23	25	27	33	"U" Shape Bend Tieback

Batons: Ordering Information

1. Batons come with finials as shown in the catalog.
 - a. Any finial can be utilized. Please add finial price to the baton price.
2. Please specify length of the baton in the order. (Length more than 108". Please call for quote.)
3. Please specify the hook style as ring or clip in the order. Ring style hooks are available with or without an additional eyelet. Please specify your preference in the order.
4. Baton #1017 is ¼" diameter. All other batons are ½" diameter.

Batons: Pages 23 & 60 of Catalog

For All Batons: #1015, #1016, #1017, #1018, #1019, and #1020

Length	Unit	Iron Art Finishes				Custom Finish	Additional Information
		A	B	C	D		
12"-24"	EACH	50	64	70	75	86	
25"-48"	EACH	58	76	82	90	103	
49"-72"	EACH	78	98	108	117	136	
73"-84"	EACH	96	122	135	145	170	
85"-108"	EACH	118	149	164	176	205	

Baton #1016 is available as #1014 in Italian Finishes. Please see page 72.

Unique Collection: Ordering Information

- The Bypass System utilizes "C" rings, available as Product #330C. Rings are available as follows:
 - 1" inner diameter for 1/2" rods
 - 1 1/4" inner diameter for 3/4" rods
 - 1 1/2" inner diameter for 1" rods
 - 1 3/4" inner diameter for 1 1/4" rods
 - 2" inner diameter for 1 1/2" rods
 - 2 1/2" inner diameter for 2" rods
 - 4" inner diameter for 3" rods.
- Only straight Round Hollow Rods with 3/4", 1", 1 1/4", 1 1/2", 2", 3" diameters and 1" Square Hollow Rod can be utilized with the Bypass System. Please refer to the rods section in the catalog (page 19), and the price list (page 16).
- Bent rods or rods with elbows can **NOT** be utilized.
- To ensure proper operation:
 - Please utilize brackets from this collection only.
 - Drapes must be heavy enough to keep the eyelet pointed toward the ground (6 o'clock).
 - Rods must not be bowed. Be sure to use enough support brackets.

Unique Collection (Bypass System): Page 24 of Catalog

Product #	Unit	Iron Art Finishes				Custom Finish	Additional Information
		A	B	C	D		
318SC	EACH	29	36	39	41	49	Center Support Bracket Single 3" Projection
318SC-6P	EACH	33	42	47	50	57	Center Support Bracket Single 6" Projection. Bottom weld
318SCHP	EACH	29	36	39	41	49	Center Support Horizontal Backplate Bracket. Single 3" Projection. Bottom weld.
318SCHP-6P	EACH	33	42	47	50	57	Center Support Horizontal Backplate Bracket. Single 6" Projection
319DC	EACH	55	70	76	83	97	Center Support Bracket Double 3" and 6" Projections
330 (3/4" - 1 1/2")	EACH	7.5	9.5	10.5	11.5	14	"C" Ring to Match Rod Sizes
330 (2" - 3")	EACH	8	10	11	12	14.5	"C" Ring to Match Rod Sizes
1028SE	EACH	27	36	39	41	49	End Bracket / Single 3" Projection. Center weld or Top weld
1028SE-6P	EACH	33	41	47	50	57	End Bracket / Single 6" Projection
1024DE	EACH	49	63	69	73	86	End Bracket Double 3" & 6" Projections

See page 71 for Unique Collection in Italian Finishes.

Oasis Collection: Ordering Information

- Expandable set pricing is for the configurations pictured in the catalog only.
- All sets include rods, finials, and brackets. Please order rings separately.
 - Brackets are the standard bracket #1028 on page 20 of the catalog, with a 3" projection.
 - Rod lengths exclude finials. Please refer to finial specifications in the finial section of the catalog.
- Expandable sets come as a 1" and 7/8" diameter straight Round Hollow Rod combination and can **NOT** be bent.
- Finials are welded on the rods.

Oasis Collection (Expandable Sets): Page 24 of Catalog

Product Set Lengths	Unit	Iron Art Finishes				Custom Finish	Additional Information
		A	B	C	D		
Small: 27" - 48"	SET	145	183	202	215	251	Style as Shown in Catalog
Medium: 45" - 82"	SET	176	223	246	263	306	Style as Shown in Catalog
Large: 81" - 118"	SET	228	290	319	342	398	Style as Shown in Catalog
Extra Large: 117" - 154"	SET	278	353	389	416	485	Style as Shown in Catalog

Milano Collection: Ordering Information

The Milano Collection is available while supplies last.

1. The Milano Collection is available in 5/8" Hollow Round Rods only.
2. Finials can be utilized to make "U" Shape Bend tiebacks. Please add Product #2087 to the finial price.
3. Brackets #2080 and #2081 are designed for standard wood headrail support.
Please see the image in the catalog (page 25). Brackets are 3/4" wide.

Milano Collection (Roman Shades on Hardware): Page 25 of Catalog

Product #	Unit	Iron Art Finishes				Custom Finish	Additional Information
		A	B	C	D		
2070							Discontinued
2071	EACH	12	14	16	17	19	Interior Fit Only
2072	EACH	12	14	16	17	19	Interior Fit Only
2073	EACH	14	17	19	20	23	Interior Fit Only
2074	EACH	26	34	37	40	46	Interior Fit Only
2075	EACH	28	37	40	43	50	Interior Fit Only
2080							Discontinued
2081							Discontinued
2082	EACH	16	20	22	23	27	Single Bracket / 2" Projection
2083	EACH	16	20	22	23	27	Single Bracket / 3" Projection
2084	EACH	18	22	25	26	31	Double Bracket 3" and 6" Projections
2087	EACH	16	20	22	23	27	"U" Shape Bend Tieback
2088	EACH	5.5	6.5	7.5	7.5	9.5	Extended Eyelet Ring

N/A = Not Available

Fina Collection: Ordering Information

1. Fina Collection finials are available for 1/2" diameter Round Hollow Rods only.
2. Finials are available as exterior fit only.
3. Rod and rings are **NOT** included.

Fina Collection (Thin Line Hardware): Page 25 of Catalog

Product #	Unit	Iron Art Finishes				Custom Finish	Additional Information
		A	B	C	D		
1041 P1	EACH	16	20	22	24	28	1" Projection Bracket. Available in any Italian finishes
1041 P2	EACH	20	26	28	30	36	2" Projection Bracket. Available in any Italian finishes
2010	EACH	14	17	19	20	24	Exterior Fit Only
2015	EACH	16	20	22	24	28	Exterior Fit Only
2020	EACH	19	24	26	28	33	Exterior Fit Only
2025	EACH	16	20	22	24	28	Exterior Fit Only
2030	EACH	17	22	24	26	30	Exterior Fit Only
2040	EACH	14	17	19	20	24	Exterior Fit Only
2050	EACH	14	17	19	20	24	Exterior Fit Only
2060	EACH	18	23	25	27	32	Exterior Fit Only
2087	EACH	16	20	22	24	28	"U" Shape Bend Tieback

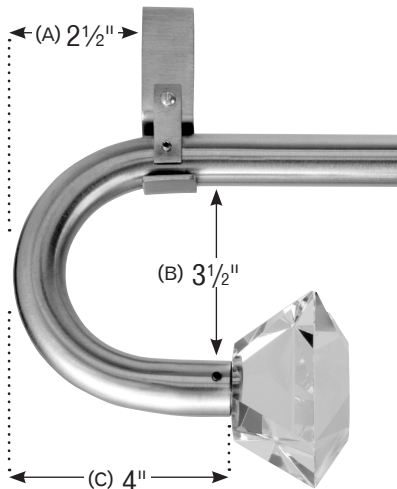
3D Drapery Hardware: Ordering Information

1. Use with single or double rod systems.
 - a. Order your rod length tip to tip.
 - b. Back rods in the double rod system are the same length as the front rod, including their end caps.
2. Works with 1" round hollow rods in smooth or hammered styles.
 - a. Smooth styles available in 36 Iron Art™ finishes or 12 Italian Collection finishes (excludes Polished Chrome).
 - b. Hammered styles available in 36 Iron Art™ finishes.
 - c. Custom finishes available for smooth or hammered styles.
3. Choose from any style of ring. Bypass rings may only be used with smooth style rods.
4. Choose from any style of bracket. Brackets ordered for use with the 3D system will include lids and set screws.
5. Choose from almost any Iron Art™ finial, all Italian finials, and all Bohemia Crystal finials. Because of their size and branch shape, we don't recommend the 3D system for use with Iron Art™ finials #410, #416, #506, #711, #939, #954, #979, and #982, and Village Forge finials #600, #601, #603, and #606.
6. Optional master carrier sets work with center open draperies and rings for complete drapery closure in the front.

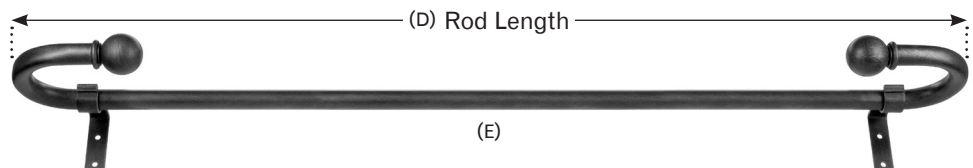
3D Drapery Hardware: Pages 26-29 of Catalog

Description	Product #	Unit	Price	Sets Include:
3D Single Kit for Iron Art Finishes	3D-SIA	EACH	52	<ul style="list-style-type: none"> • Two 180° U-Bends for one iron rod. • Two straight master carriers for rings. • Four rings (two for each straight carrier).
3D Single Kit for Italian Finishes	3D-SIT	EACH	63	<ul style="list-style-type: none"> • Two 180° U-Bends for one iron rod. • Four straight master carriers for rings. • Eight rings (two for each straight carrier). • Two end caps for one back rod.
3D Double Kit for Iron Art Finishes	3D-DIA	EACH	72	<ul style="list-style-type: none"> • One straight master carrier for rings. • One overlap master carrier for rings. • Four rings (two for each carrier).
3D Double Kit for Italian Finishes	3D-DIT	EACH	88	<ul style="list-style-type: none"> • One straight master carrier for rings. • One overlap master carrier for rings. • Four rings (two for each carrier).
Overlap Master Carrier Set in Iron Art Finishes	MCS-IA	EACH	24	<ul style="list-style-type: none"> • One straight master carrier for rings. • One overlap master carrier for rings. • Four rings (two for each carrier).
Overlap Master Carrier Set in Italian Finishes	MCS-IT	EACH	30	<ul style="list-style-type: none"> • One straight master carrier for rings. • One overlap master carrier for rings. • Four rings (two for each carrier).

3D Drapery Hardware: Measurement Guidelines



- A) The distance from the end of the straight rod to the edge of the curve is 2 1/2".
- B) The U-Bend projection is 3 1/2".
- C) The front face of the U-Bend is 4" long, not including the finial.
- D) Order your rod length tip to tip.
- E) Available in 1" diameter round hollow smooth or hammered styles, single or double rod systems. Back rods in the double rod system are the same length as the front rod, including their end caps.



3D Drapery Panels: Ordering Information

- For use as a single rod system.
 - Order your rod length tip to tip.
 - Order your front panel rod extension length up to 24".
- Works only with 1" Smooth Round Hollow Rods.
 - Available in 36 Iron Art™ finishes or 12 Italian Collection finishes (excludes Polished Chrome).
 - Custom finishes available.
- Choose from any style of ring for the front panels.
Use Unique Collection Bypass "C" Rings for functional rear draperies (330C or 7330C).
- Use Unique Collection Single Bypass End Brackets (1028SE or 7014SE).
Use Unique Collection Single Bypass Support Brackets for additional support (318SC or 7318SC).
- Choose from almost any Iron Art™ finial, all Italian finials, and all Bohemia Crystal finials. Because of their size and branch shape, we don't recommend the 3D system for use with Iron Art™ finials #410, #416, #506, #711, #939, #954, #979, and #982, and Village Forge finials #600, #601, #603, and #606.
- Optional master carrier sets work with center open draperies and rings for complete drapery closure in the front.

3D Drapery Panels: Pages 30-31 of Catalog

Description	Product #	Unit	Price	Sets Include:
3D Panel Kit for Iron Art Finishes	3D-PIA	EACH	124	<ul style="list-style-type: none"> Two 180° U-Bends for One Iron Rod Two Front Panel Rod Extensions Up To 24" Long Two 3D319DC Support Brackets Two Straight Master Carriers for Rings Four Bypass "C" Rings (Two for Each Straight Carrier)
3D Panel Kit for Italian Finishes	3D-PIT	EACH	223	<ul style="list-style-type: none"> Two 180° U-Bends for One Iron Rod Two Front Panel Rod Extensions Up To 24" Long Two 3D319DC Support Brackets Two Straight Master Carriers for Rings Four Bypass "C" Rings (Two for Each Straight Carrier)
Overlap Master Carrier Set in Iron Art Finishes	MCS-IA	EACH	24	<ul style="list-style-type: none"> One straight master carrier for rings. One overlap master carrier for rings. Four rings (two for each carrier).
Overlap Master Carrier Set in Italian Finishes	MCS-IT	EACH	30	<ul style="list-style-type: none"> One straight master carrier for rings. One overlap master carrier for rings. Four rings (two for each carrier).

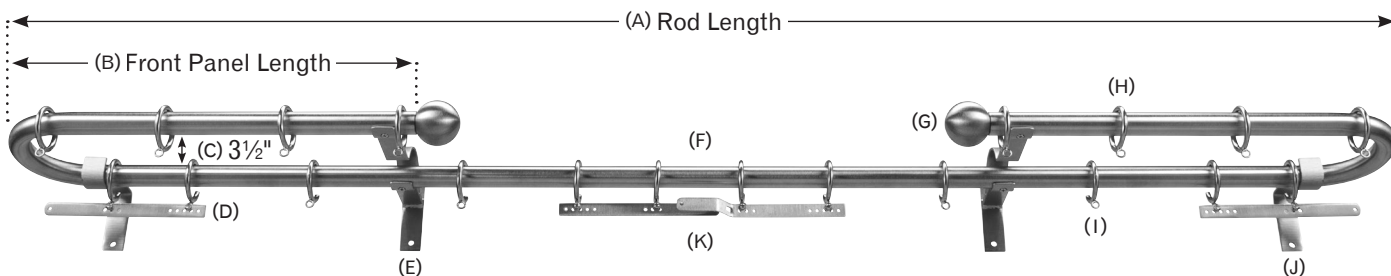
3D Drapery Panels: Measurement Guidelines

Measurement Guidelines:

- Order your rod length tip to tip.
- Order your front panel rod extension length up to 24".
- The U-Bend projection is 3½".
- Two Straight Master Carriers and four Bypass "C" Rings are included in the set.
- Two 3D319DC Support Brackets are included in the set.

Order These in Addition to the Kit:

- 1" diameter Smooth Round Hollow Rod
- Finials
- Rings for front panel
- Unique Collection Bypass "C" Rings for rear draperies (330C or 7330C)
- Unique Collection Bypass End Brackets (1028SE or 7014SE)
- Optional Overlap Master Carrier Set



Tropical Collection: Ordering Information

The Tropical Collection is available while supplies last.

FINIALS (Page 32 of the catalog)

- Any finial can be utilized for making a "U" Shape Bend tieback. Please add Product #9060 to the order.

CORNICES (Page 32 of the catalog)

- Cornices can be fabricated in 3½" and 5½" height only, and can **NOT** be bent.
- For additional details please refer to the Tuscany Collection (Decorative Metal Cornices) ordering information (page 38).

RODS (Page 33 of the catalog)

- Rods can be bent. Please add #9020BT or #9022BT. Please send a template for approval to bend 2" dia. rods.
- The Bamboo Swirl Rod (#9022) is decorative only, and is not meant to be used with rings nor with panels that will be moved.
- The Bamboo Swirl Rod (Product #9022) can be bent. Please add Product #9022BT to the order.
Please send a template for approval to bend 2" diameter rods.

SWING ARMS (Page 33 of the catalog)

- Swing arms are supplied with a bamboo cap finial (Product #9004) only.
- Please specify the length with the finial included.
- The standard projection is ½". Please add Product #1097 (page 25) for a 3" projection or Product #1098 (page 25) for a 6" projection.
- Swing arm support brackets are available as shown in the catalog. Please add Product #1099 (page 25) to the order.

BATONS (Page 33 of the catalog)

- Please specify hook style as ring or clip in the order.
- Batons are finished at the end as shown. No finials are included.

BRACKETS (Page 33 of the catalog)

- Brackets are available in 3" projection (Product #9010), 6" projection (Product #9011), double (3"/6") projection (Product #9012), and traverse (Product #1263).

RINGS (Page 33 of the catalog)

- There are two types of bamboo rings; round (Product #9025) and flat (Product #9029).

FINISHES (Page 33 of the catalog)

- Tropical Collection finishes are only available for this collection.

Tropical Collection (Bamboo on Iron): Pages 32 & 33 of Catalog

Product #	Unit	Iron Art Finishes				Tropical Finishes	Custom Finish	Additional Information
		A	B	C	D			
1263ST6	EACH	32	40	44	47	44	55	Single Traverse / Rod Combination 6" Projection / Light Drapes
1263DT	EACH	34	43	47	50	47	59	Double Traverse / Rod Combination: 4½"- 5½" and 7½" Projections / Light Drapes
8006	EACH	24						Tropical Bamboo Finish Selector Set
9000	EACH	121	154	169	182	169	212	Iron Finial / Interior Fit Only
9001	EACH	108	137	151	162	151	189	Iron Finial / Interior Fit Only
9002	EACH	106	135	148	158	148	185	Iron Finial / Interior Fit Only
9004	EACH	25	32	35	38	35	44	Iron Finial / Interior Fit Only
9005	EACH	50	64	71	76	71	88	Iron Finial / Interior Fit Only
9010	EACH	40	51	56	60	56	70	Single Bracket / 3" Projection
9011	EACH	42	54	59	63	59	74	Single Bracket / 6" Projection
9012	EACH	63	80	88	95	88	110	Double Bracket 3" and 6" Projections
9020 Straight Hollow Rods								
¾" Dia.	FOOT	25	32	35	38	35	44	Can be Bent
1" Dia.	FOOT	27	35	38	41	38	48	Can be Bent
1¼" Dia.	FOOT	29	37	41	44	41	51	Can be Bent
1½" Dia.	FOOT	34	43	47	50	47	59	Can be Bent
2" Dia.	FOOT	38	48	53	57	53	66	Template Approval Required to Bend
9020CV	FOOT	28	28	28	28	28	28	Product #9020 Rod Curve Charge

Tropical Collection (Bamboo on Iron): Pages 32 & 33 of Catalog

Product #	Unit	Iron Art Finishes				Tropical Finishes	Custom Finish	Additional Information
		A	B	C	D			
9022 Decorative Rods - Bamboo Swirl								
¾" Dia.	FOOT	42	54	59	63	59	74	Can be Bent
1" Dia.	FOOT	44	56	62	66	62	77	Can be Bent
1¼" Dia.	FOOT	46	59	65	69	65	81	Can be Bent
1½" Dia.	FOOT	48	62	68	72	68	85	Can be Bent
2" Dia.	FOOT	50	64	71	76	71	88	Template Approval Required to Bend
9022CV	FOOT	32	32	32	32	32	32	Product #9022 Rod Curve Charge
9025	EACH	9	11	12	13	12	15	Round Ring / ⅜" Thick 1⅜", 1⅞", 2½", and 3" Inner Diameters
9029	EACH	11	13	15	16	15	18	Flat Ring / ¾" Wide 1⅜", 1⅞", 2½", and 3" Inner Diameters
9040S	FOOT	84	107	118	126	118	147	Decorative Cornice 3½" High
9040D	FOOT	116	147	162	173	162	202	Decorative Cornice 5½" High
9046	FOOT	53	67	74	79	74	92	Swing Arm
9050	EACH	84	107	118	126	118	147	38" Baton
9060	EACH	19	24	26	28	26	33	"U" Shape Bend Tieback
9003								Discontinued

Burgundy Collection: Ordering Information

1. Templates need to be provided with orders for bent rods. Please specify if bracket deductions are needed. If not specified, template will be used as rod size.
2. Products #280, #281, #282, and #283 are only available as shown in the catalog and can **NOT** be bent.
3. Products #252, #253, and #255 can be bent. Please add #286 for the bending charge (per foot) to the order.
4. Standard returns are 3" and 6". Other return sizes are available upon request.
5. Finials can be utilized with Products #252, #253, #254, #280, #281, #282, #283, #284, and #285 with ¾" diameter and above rods. Please order finials separately.
6. Mounting plates are included in all styles except #252, #253, #254, and #254B. Please order brackets separately.
7. Products #284 and #285 can be configured to any length, and include end brackets in the pricing. Any center support brackets required must be ordered separately.
8. 264H (hammered) is not offered with "C" Rings - ByPass System.

Burgundy Collection (Decorative Rods): Pages 34 & 35 of Catalog

Product #	Unit	Iron Art Finishes				Custom Finish	Additional Information
		A	B	C	D		
251	FOOT	55	70	77	83	96	Mounting Plates Included
251B	FOOT	65	84	92	100	115	Bent / Mounting Plates Included
252	FOOT	44	56	62	65	77	Order Brackets Separately
253	FOOT	36	45	49	53	63	Order Brackets Separately
254	FOOT	42	52	59	62	71	Order Brackets Separately
254B	FOOT	52	66	73	79	91	Bent / Order Brackets Separately
255	FOOT	44	56	62	65	77	Mounting Plates Included
256	FOOT	39	48	53	59	66	Mounting Plates Included
256B	FOOT	44	56	62	65	77	Bent / Mounting Plates Included
257	FOOT	49	63	69	74	86	Mounting Plates Included

Burgundy Collection (Decorative Rods): Pages 34 & 35 of Catalog (continued)

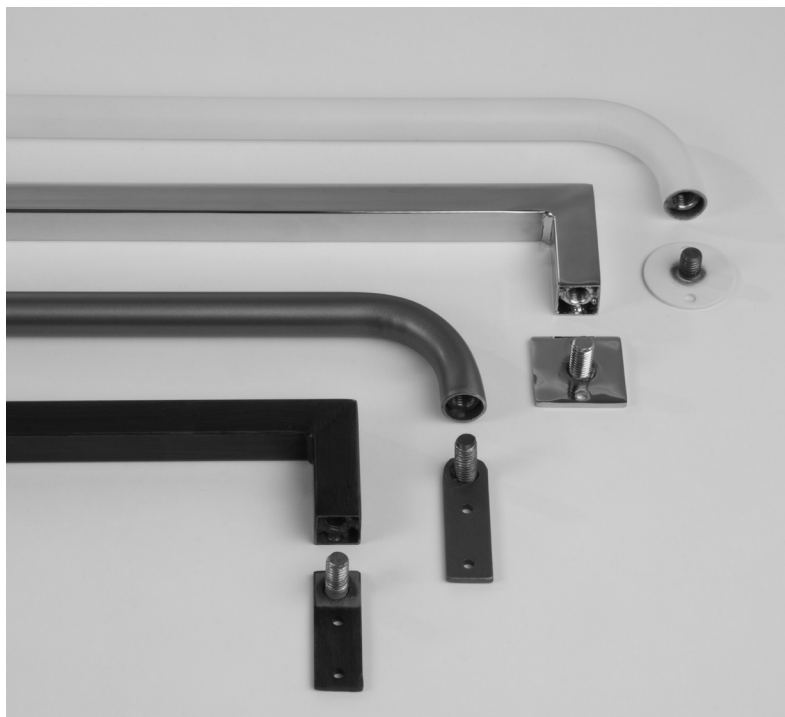
Product #	Unit	Iron Art Finishes				Custom Finish	Additional Information
		A	B	C	D		
257B	FOOT	61	77	85	90	106	Bent / Mounting Plates Included
264R-S-RND	FOOT	48	59	66	71	83	Single Round Rod with Rnd Socket
264R-D-RND	FOOT	59	75	84	90	105	Double Round Rod with Rnd Socket
264R-S-HRND	FOOT	63	77	86	93	108	Single Hammered Rod with Rnd Socket
264R-D-HRND	FOOT	69	108	118	125	146	Double Hammered Rod with Rnd Socket
264S-S-SQ	FOOT	48	59	66	71	83	Single Square Rod with Square Socket
264S-D-SQ	FOOT	59	75	84	90	105	Double Square Rod with Square Socket
264V-S-RND	FOOT	48	59	66	71	83	Single Round Rod with Vertical Socket
264V-D-RND	FOOT	59	75	84	90	105	Double Round Rod with Vertical Socket
264V-S-HRND	FOOT	63	77	86	93	108	Single Hammered Rod with Rnd Socket
264V-D-HRND	FOOT	69	108	118	125	146	Double Hammered Rod with Rnd Socket
264V-S-SQ	FOOT	48	59	66	71	83	Single Square Rod with Vertical Socket
264V-D-SQ	FOOT	59	75	84	90	105	Double Square Rod with Vertical Socket
280	EACH	520	664	728	780	908	Mounting Plates Included
281	EACH	424	541	594	635	742	Mounting Plates Included
282	EACH	397	506	554	595	695	Mounting Plates Included
283	EACH	329	418	460	491	574	Mounting Plates Included
284	FOOT	59	73	82	86	101	Order Center Support Brackets Separately
285	FOOT	59	73	82	86	101	Order Center Support Brackets Separately
286	EACH	44	44	44	44	44	Bend Charge for #252, #253, & #255

* #264 Rods with round or square Miter Returns require rings 1/4" larger than standard inside diameter.

** 3/4" to 2" Round Hollow Rods included in the price for Products #264, #264D, #280, #281, #282, #283, #284, and #285.

Order rings separately. Rods with Returns #264 and #264D may also use Square Hollow Rods included in the price.

See note below.



Widths given for Rods with Returns (#264, #264D & #7007) will include sockets. If you prefer to give the Face Width, please be sure to specify this is the dimension you are providing in your order. If using vertical plates instead, the plates are the width of the rod diameter. Socket diameter will vary as per rod size.

Standard returns are 3" and 6". If not specified, 3" will be provided. Other return sizes are available upon request.

Rods with Returns for Square Hollow Rods are mitered and welded to form corners.

Round rods can also be mitered upon request. Add product #307 per miter.

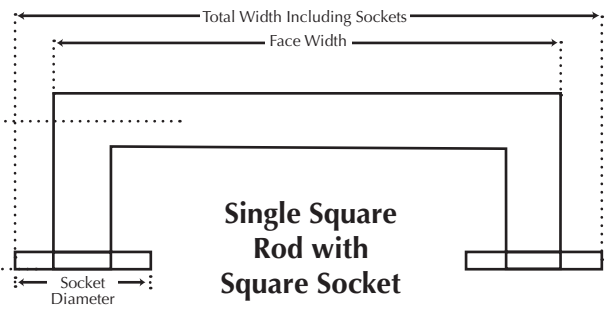
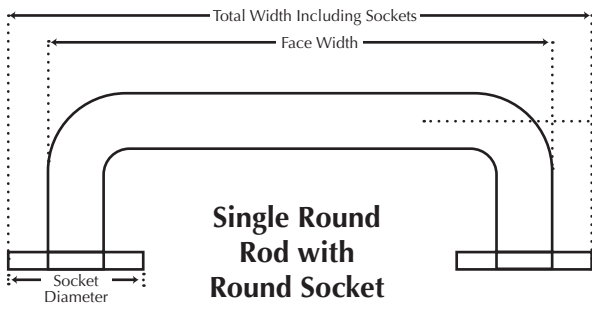
Hollow Hammered rods with Returns can't be used with C-rings or bypass brackets.

Double rods with returns use same diameter rod in front and back.

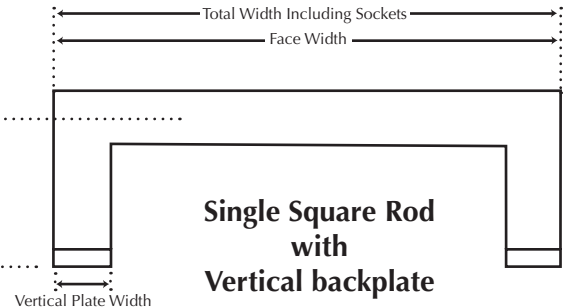
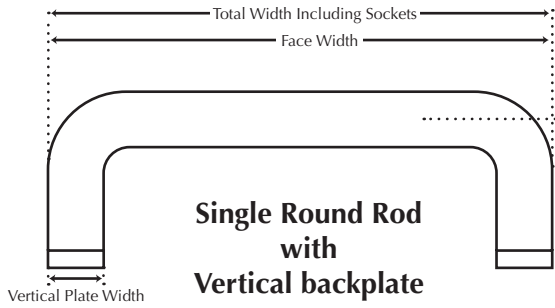
Round, Square, Single Vertical Sockets are screwed in (not welded) on each return.

Spliced rods with returns will automatically have the connector welded to one side. Please specify on order if loose connector is needed.

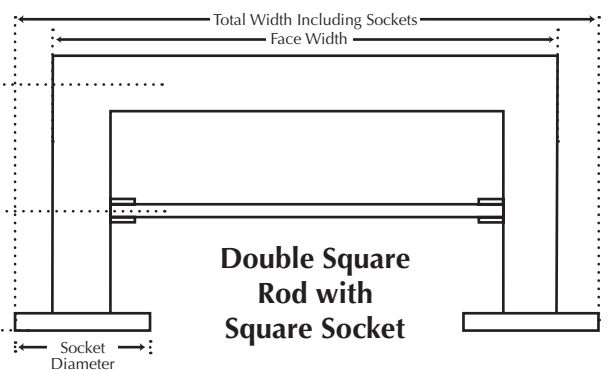
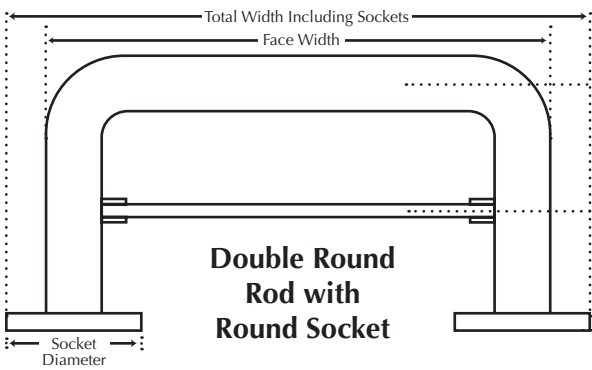
Rod Diameter	Socket Diameter	Vertical Plate Height
1/2"	1 1/2"	3"
Up to 1"	2"	3"
1 1/4"	2 1/4"	3 1/2"
1 1/2"	2 1/2"	3 1/2"
2"	3"	4"



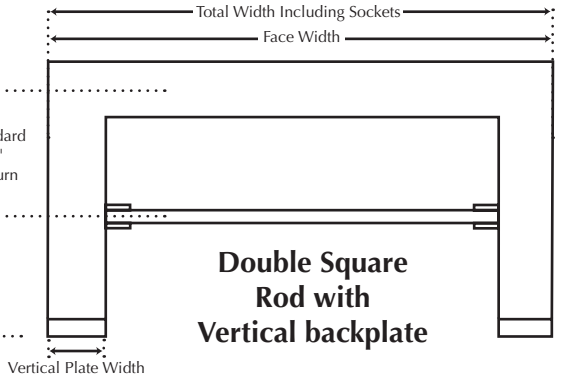
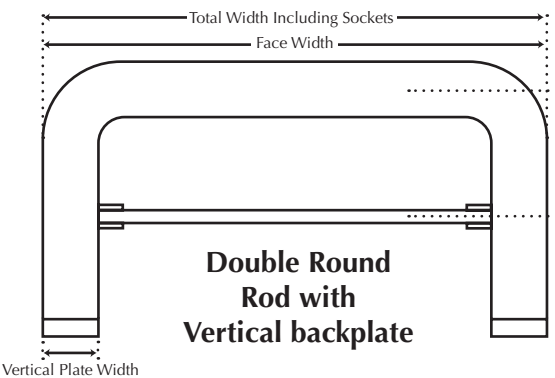
Center of Rod
Standard
3" or 6"
Return



Center of Rod
Standard
3" or 6"
Return



Center of Rod
Standard
6"
Return
Center of Rod
Standard
3"
Return



Center of Rod
Standard
6"
Return
Center of Rod
Standard
3"
Return

Mediterranean Collection: Ordering Information

1. Product includes mounting plates with three options. Please specify mounting plate selection in the order.
 - a. Wall Mounting Plate, with 3" to 5" expandable projection - use an L bracket.
 - b. Wood Duster Mounting Plate.
 - c. Flush Mount against the wall.
2. To reduce the weight of the product, the Mediterranean Collection is fabricated in aluminum.

Mediterranean Collection (Decorative Crowns): Page 36 of Catalog

Product #	Unit	Iron Art Finishes				Custom Finish	Additional Information
		A	B	C	D		
4001	EACH	235	300	330	353	413	Servena
4002	EACH	189	241	264	284	331	Castilla
4003	EACH	184	234	257	276	322	Camilla
4004	EACH	128	163	179	191	224	Sofia
4005	EACH	191	245	269	287	334	Mallorca
4006	EACH	197	250	276	295	344	Valencia
4007	EACH	140	180	197	211	246	Minerva
4008	EACH	212	270	297	319	371	Isabelle
4009	EACH	233	297	326	349	407	Asha
4010	EACH	233	297	326	349	407	Seville
4011	EACH	233	297	326	349	407	Morning Glory

Vienna Collection: Ordering Information

1. Please specify measurements from tip to tip.
2. 3" or 6" projection mounting plates and 5 equally space knobs are included. Please specify projection in your order. For additional knobs, please add Product #313 to the order.
3. Please specify left or right orientation of the decorative scroll if applicable.
4. Please refer to minimum and maximum lengths as specified.

Vienna Collection (Decorative Scrolls): Page 36 of Catalog

Product #	Unit	Iron Art Finishes				Custom Finish	Additional Information
		A	B	C	D		
250	FOOT	255	326	356	382	445	Min. Length: 16" / Specify Left or Right
266	FOOT	191	244	268	287	334	Min. Length: 17" / Max. Length: 48" Specify Left or Right
267	FOOT	280	357	393	420	490	Min. Length: 27" / Max. Length: 48" Specify Left or Right
268	FOOT	293	374	411	440	512	Min. Length: 16" / Specify Left or Right
269	FOOT	293	374	411	440	512	Min. Length: 16" / Specify Left or Right
270	FOOT	306	391	430	459	535	Minimum Length: 16"
313	EACH	12	14	16	18	20	Additional Knob

Renaissance Collection: Ordering Information

1. Pricing for this product is by the panel. Please specify mounting plate selection in the order.
2. Product is shipped as unconnected panels. Connectors are provided for assembly.
3. Product includes mounting plates with three options:
 - a. Wall Mounting Plate, with 3" to 5" expandable projection.
 - b. Wood Duster Mounting Plate.
 - c. Flush Mount (**Connectors are not provided. Simply push the panels together upon installation.**)
4. Decorative cornices can be customized in length by cutting panels. Please add the Product #9131 charge to the order. Any cut panel is charged as a full panel.
 - a. We will not be liable for any design considerations when customizing decorative cornices.
If the location of the cut on the panel is vital, please provide a drawing for our production staff to follow.
5. All styles are available with returns and mounting plates. Add Product #9130 with the order.
Minimum projection available is 3"; maximum projection available is 6". Specify projection when ordering.
6. To reduce the weight of the product, the Renaissance Collection is fabricated in aluminum.

Renaissance Collection: Page 37 of Catalog





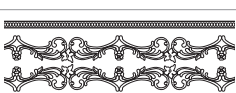




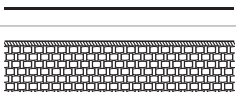


Product #	Unit	Iron Art Finishes				Custom Finish	Additional Information
		A	B	C	D		
9125	PANEL	123	154	172	191	222	Cathedral / Panel Length: 26½"
9126	PANEL	109	137	153	169	197	Pontalba / Panel Length: 25¼"
9127	PANEL	109	137	153	169	197	New Orleans / Panel Length: 27½"
9128	PANEL	129	161	180	200	232	Gothic / Panel Length: 27¾"
9129	PANEL	129	161	180	200	232	Florence / Panel Length: 27¼"
9130	PANEL	82	102	113	126	146	Return with Mounting Plate
9131	PANEL	42	42	42	42	42	Cutting Charge

Tuscany Collection: Ordering Information

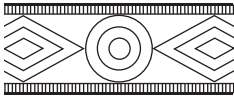

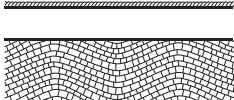





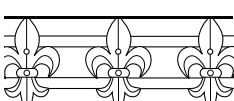





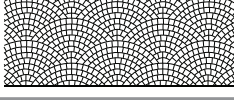
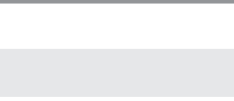
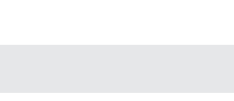
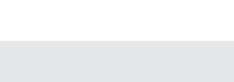

CORNICES HAVE A NO RETURN POLICY AND CAN NOT BE RETURNED FOR CREDIT.

1. Cornice pricing is per foot; please include returns when calculating length.
2. Cornices are available with or without a wood duster. Listed prices are without a wood duster.
3. The standard wood duster is available as Product #8046 with projections of 3½", 5½", and 7½" only. Please specify the projection in your order.
4. A custom wood duster is available as Product #8047 in any projection up to 12". Please specify the projection in your order.
5. Cornices without a wood duster are available in any projection up to 12".
6. Cornices include "L" brackets spaced approximately 48" apart at no additional cost.
7. Cornices are manufactured as one piece, and cannot be spliced. Maximum length for FedEx/UPS shipment is 102". All lengths over 102" must be shipped by common carrier (truck line). Please note residential truck deliveries are restricted to 24' (288").
8. Cornices are available for bay windows. Please add Product #8044/#8044CV as the bending/curve charge for single cornices, and Product #8045/#8045CV as the bending/curve charge for double cornices.
9. Cornice heights can be fabricated: Narrow (27/8"-37/8") - up to triple height; Medium (4"-5½") - double height. Design #8025 is available only as single height.
10. Single small cornices, 2 7/8", 3 3/8" 3 ½" or 3 ¾" can be tripled.
11. Cornices are compatible with an iron rod set, cord/manual traversing, or Somfy Motorization. Rods and tracks are finished to match the cornice. The minimum projection when ordering is 5½". Please specify the projection in your order. Also, please specify cord length, cord placement (left or right), and draw (left stack,

Tuscany Collection: Pages 38-41 of Catalog

Product #	Unit	Iron Art Finishes				Custom Finish	Additional Information	Sample Pattern
		A	B	C	D			
8021	FOOT	66	84	92	99	116	Acanthus / Single / Height: 3½"	
8022	FOOT	80	102	112	120	140	Acanthus / Double / Height: 7"	
8023	FOOT	66	84	92	99	116	Tulip / Single / Height: 3½"	
8024	FOOT	80	102	112	120	140	Tulip / Double / Height: 7"	
8025	FOOT	67	85	94	100	117	Hammered / Single / Height: 8"	
8026	FOOT	58	74	81	87	101	Baroque / Single / Height: 3¾"	
8027	FOOT	77	98	108	116	135	Baroque / Double / Height: 6¾"	
8028	FOOT	58	74	81	87	101	Embossed / Single / Height: 27/8"	
8029	FOOT	77	98	108	116	135	Embossed / Double / Height: 5¾"	
8030	FOOT	61	77	85	91	106	Bud Branch / Single / Height: 3½"	
8031	FOOT	80	102	112	120	140	Bud Branch / Double / Height: 7"	
8032	FOOT	61	77	85	91	106	Spanish Scroll / Single / Height: 3½"	
8033	FOOT	80	102	112	120	140	Spanish Scroll / Double / Height: 7"	
8034	FOOT	61	77	85	91	106	Spring Leaf / Single / Height: 3¾"	
8035	FOOT	80	102	112	120	140	Spring Leaf / Double / Height: 7½"	
8036	FOOT	58	74	81	87	101	Sea Shore/ Single / Height: 3¾"	
8037	FOOT	68	86	95	102	119	Basket Weave / Single / Height: 5½"	

Tuscany Collection: Pages 38-41 of Catalog (continued)

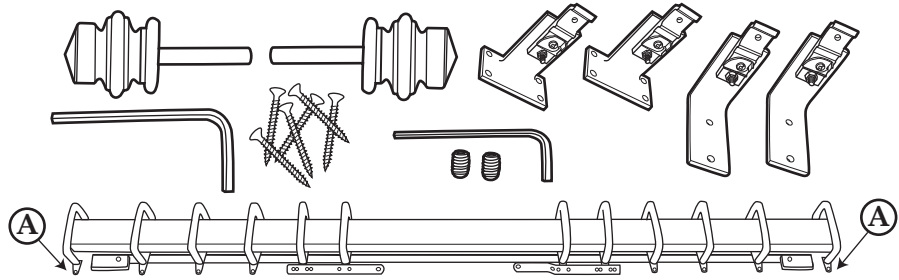
Product #	Unit	Iron Art Finishes				Custom Finish	Additional Information	Sample Pattern
		A	B	C	D			
8055	FOOT	58	74	81	87	101	Infinite Geometry / Single / Height: 3 ⁵ / ₈ "	
8056	FOOT	72	91	100	107	125	Infinite Geometry / Double / Height: 7 ¹ / ₄ "	
8057	FOOT	63	80	88	94	110	Classic / Single / Height: 3 ¹ / ₂ "	
8058	FOOT	77	98	108	116	135	Classic / Double / Height: 7"	
8059	FOOT	58	74	81	87	101	Royal Road / Single / Height: 3 ¹ / ₂ "	
8060	FOOT	72	91	100	107	125	Royal Road / Double / Height: 7"	
8061	FOOT	61	77	85	91	106	Bamboo Delight / Single / Height: 4 ¹ / ₈ "	
8062	FOOT	80	102	112	120	140	Bamboo Delight / Double / Height: 8 ¹ / ₄ "	
8063	FOOT	61	77	85	91	106	Sunbursts / Single / Height: 4 ¹ / ₈ "	
8064	FOOT	80	102	112	120	140	Sunbursts / Double / Height: 8 ¹ / ₄ "	
8065							Discontinued	
8066							Discontinued	
8067	FOOT	61	77	85	91	106	Olive Branches / Single / Height: 4 ³ / ₈ "	
8068	FOOT	80	102	112	120	140	Olive Branches / Double / Height: 8 ³ / ₄ "	
8069	FOOT	61	77	85	91	106	Emblem / Single / Height: 4 ¹ / ₄ "	
8070	FOOT	80	102	112	120	140	Emblem / Double / Height: 8 ¹ / ₄ "	
8071	FOOT	61	77	85	91	106	Swirls / Single / Height: 4 ¹ / ₈ "	
8072	FOOT	80	102	112	120	140	Swirls / Double / Height: 8 ¹ / ₄ "	
8073							Discontinued	
8074							Discontinued	
8075	FOOT	66	84	92	99	116	Pyramids / Single / Height: 6"	
8077	FOOT	72	91	100	107	125	Lattice Weave / Single / Height: 6 ¹ / ₈ "	
8079	FOOT	66	84	92	99	116	Mosaics / Single / Height: 6"	
8044	EACH	34	34	34	34	34	Bend Charge / Single Cornice	
8045	EACH	46	46	46	46	46	Bend Charge / Double Cornice	
8044CV	FOOT	28	28	28	28	28	Curve Charge / Single Cornice	
8045CV	FOOT	38	38	38	38	38	Curve Charge / Double Cornice	
8046	FOOT	18	22	24	28	32	Standard Wood Duster	
8047	FOOT	32	38	42	46	52	Custom Wood Duster	

DESIGNERS' CHOICE TRAVERSING RODS

Installation Guide

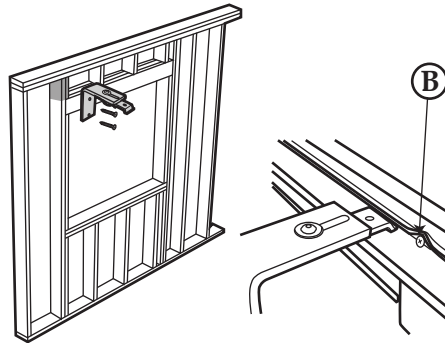
1. Unwrap and check all parts.
Parts will vary by order.

When ordering with rings, two stationary rings (A) are placed on each end for center open systems, one ring is placed on the stack side for one-way draw systems.

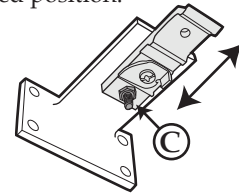


2. Designers' Choice hardware should be installed in wall studs where possible. We suggest using a density analyzer to determine stud locations.

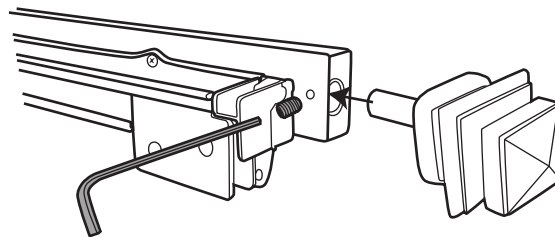
- (a) If installing in wall without stud, use heavy duty hollow wall anchors (e.g., Hillman #370012) or toggle bolts. We recommend ordering extra center supports when hollow wall anchors are being used.
- (b) Make sure support brackets do not line up with fascia screws (B).
- (c) Use level to make sure all brackets are on the same horizontal plane.



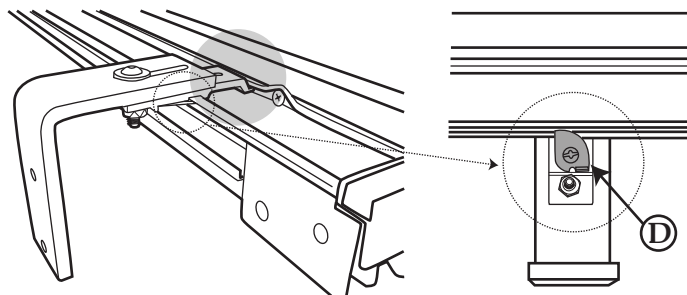
3. Adjust projection of bracket clip by loosening the screw nut (C). Adjust bracket projection as needed. Retighten the screw nut to hold the clip in desired position.



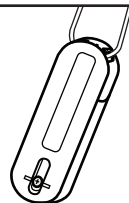
4. Install the finial in pre-drilled hole in rod. Use enclosed wrench to tighten finial screw.



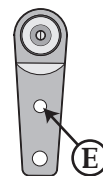
5. Clip traversing track onto the brackets on the wall; make sure track is securely in brackets. Turn the bracket clip (D) to lock the bracket with the track.



6. Test the cord to assure that rod draws smoothly. Install the floor tension pulley for the cord.



7. If installing without rings, please hang drapery from the top hole of the glide (E).



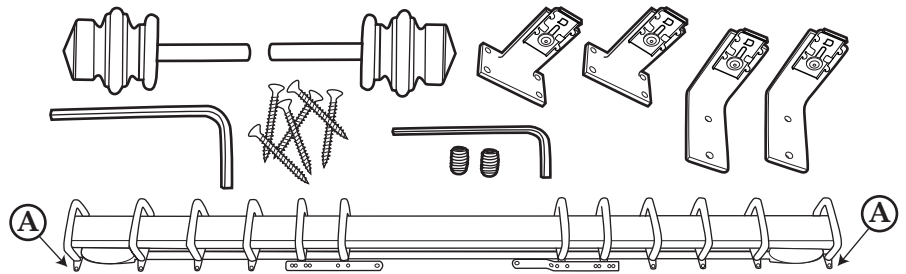
We recommend using a professional installer. While installation hardware is included, it may not be appropriate for your specific wall material or individual installation. Company will not assume any responsibility for damages incurred by inadequately supported or improperly mounted hardware.

TRAVERSING WITH SOMFY

Installation Guide

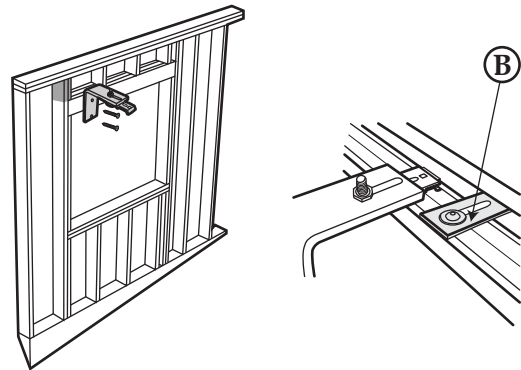
1. Unwrap and check all parts.
Parts will vary by order.

When ordering with rings, two stationary rings (A) are placed on each end for center open systems, one ring is placed on the stack side for one-way draw systems.

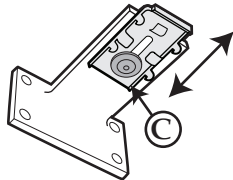


2. Traversing with Somfy hardware should be installed in wall studs where possible. We suggest using a density analyzer to determine stud locations.

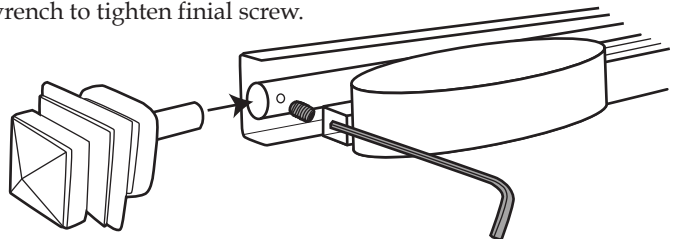
- (a) If installing in wall without stud, use heavy duty hollow wall anchors (e.g., Hillman #370012) or toggle bolts. We recommend ordering extra center supports when hollow wall anchors are being used.
- (b) Make sure support brackets do not line up with fascia attachments (B).
- (c) Use level to make sure all brackets are on the same horizontal plane.



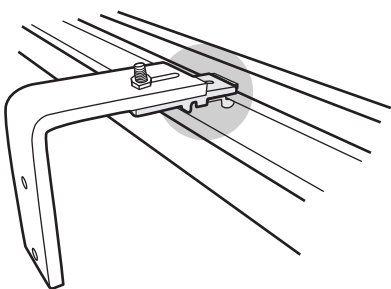
3. Adjust projection of bracket clip by loosening the screw nut (C). Adjust bracket projection as needed. Retighten the screw nut to hold the clip in desired position.



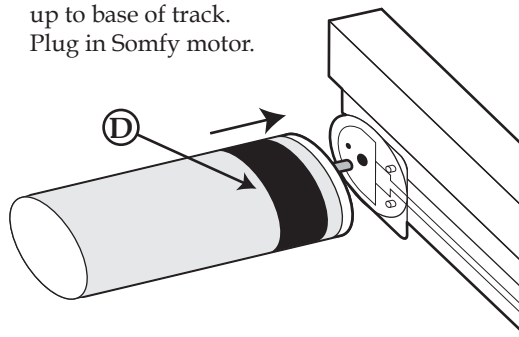
4. Install the finial in pre-drilled hole in rod. Use enclosed wrench to tighten finial screw.



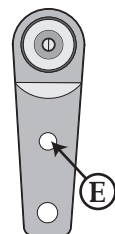
5. Clip traversing track onto the brackets on the wall; make sure track is securely in brackets.



6. Install Somfy motor. Slide finished sleeve (D) up to base of track. Plug in Somfy motor.



7. If installing without rings, please hang drapery from the top hole of the glide (E).



We recommend using a professional installer. While installation hardware is included, it may not be appropriate for your specific wall material or individual installation. Company will not assume any responsibility for damages incurred by inadequately supported or improperly mounted hardware.

The installation guide video can be found at <https://youtu.be/qL2UZxNIVCse/qL2UZxNIVCs>

Traversing Track Finish Guide

Our manual and motorized traversing collections include Deco Lite Traversing, Designers' Choice Traversing, Traversing with Somfy Motorization, Tuscany Cornice, and Tuscany Traversing.

Track Colors

Manual and motorized traversing tracks are available in five colors: Antique Bronze, Black, Gold, Silver, & White (No extra charge). These charts show the default track finish per color. If you'd like a different track finish, please specify it in your order.

Iron Art Finishes

Group	Finish Name	Code	Track Finish
A	Black	14	Black
A	Brown	19	Black
A	Light Brown	09	Antique Bronze
B	Antique Bronze	02	Antique Bronze
B	Antique Copper	10	Black
B	Antique Gold	06	Antique Bronze
B	Antique White	20	White
B	Bronze Vecchio	15	Black
B	Burnt Silver	17	Silver
B	Ivory	32	White
B	Metal Ore	35	Black
B	Modern Gold	36	Gold
B	Naturelle	03	Black
B	New Nickel	12	Silver
B	Oil Rubbed Bronze	34	Antique Bronze
B	Old Black	01	Black
B	Pure White	33	White
B	Rich Gold	07	Gold
B	Rusty	04	Black
B	Soft Pewter	13	Black
C	Bronze Patina	26	Antique Bronze
C	Burnt Gold	25	Antique Bronze
C	Cherry Gold	27	Antique Bronze
C	Gold Antique White	16	Antique Bronze
C	Golden Oak	29	Gold
C	Renaissance Silver	18	Black
C	Sage Gold	24	Gold
C	Vecchio Patina	28	Antique Bronze
C	Versace	11	Silver
D	Antique Crackle	22	White
D	Autumn	05	Gold
D	Crackle	21	White
D	Imposter	08	Gold
D	Mocha Mix	23	White
D	Sugar Maple	31	Antique Bronze
D	Warm Cherry	30	Gold

Glides and Return Hooks

Pinch Pleat With Rings

Color coordinating Pinch Pleat glides are available for systems *with* rings. Color coordinating return hooks are available for manual traversing systems. Motorized system return hooks are white. No curve trav. track available w/ rings.

Pinch Pleat Without Rings

All Pinch Pleat glides *without* rings are white. Return hooks for these systems are white. All curve trav. tracks are only available w/o rings and glides are white.

RippleFold

All RippleFold glides and return hooks are white.

Italian Finishes

Group	Finish Name	Code	Track Finish
I	Brushed Nickel	IT201	Silver
J	Polished Chrome	IT206	Silver
J	Polished Nickel	IT207	Silver
K	Black Nickel	IT202	Black
K	Oiled Bronze	IT203	Black
K	Satin Copper	IT204	Gold
K	Satin Gold	IT205	Gold
L	Polished Black Chrome	IT208	Black
L	Polished Brass	IT209	Gold
L	Antique Brass	IT211	Gold
L	Satin Brass	IT210	Gold
L	Polished Rose Gold	IT212	Gold
L	Satin Rose Gold	IT213	Gold

Wood Art Finishes

Group	Finish Name	Code	Track Finish
E	Light Cherry	WC101	Black
E	Natural	WC102	Gold
E	Mahogany	WC103	Black
E	White Wash	WC104	White
E	Dust Black	WC105	Black
E	Walnut	WC106	Black
F	White Distress	WC107	White
F	Aged Pewter	WC108	Black
F	Imitation Gold Leaf	WC109	Gold
F	Golden Teak	WC110	Gold
F	Sun Oak	WC111	Gold

Design Art Traversing Track Finish Guide

Track Colors

Manual and motorized traversing tracks are available in five colors: Antique Bronze, Black, Gold, Silver, & White. These charts show the default track finish per color. If you'd like a different track finish, please specify it in your order.

Glides and Return Hooks

Pinch Pleat With Rings

Color coordinating Pinch Pleat glides are available for systems *with* rings.

Color coordinating return hooks are available for manual traversing systems. Motorized system return hooks are white.

Pinch Pleat Without Rings

All Pinch Pleat glides *without* rings are white. Return hooks for these systems are white.

RippleFold

All RippleFold glides and return hooks are white.

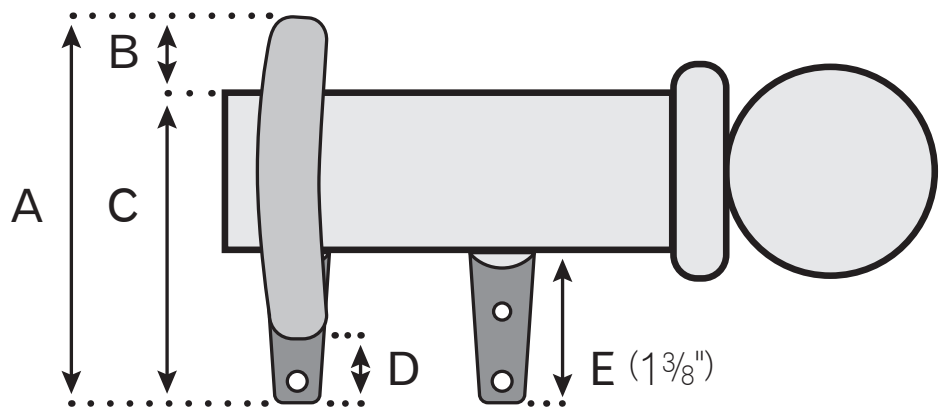
Décor Finishes - A	Code	Track Finish
Antique Bronze	DP902A	Antique Bronze
Antique Copper	DP910A	Black
Antique Gold	DP906A	Antique Bronze
Black-Glossy	DP937A	Black
Black-Satin	DP914A	Black
Bronze Pewter	DP909A	Antique Bronze
Bronze Vecchio	DP915A	Antique Bronze
Brown	DP919A	Black
Burnt Gold	DP925A	Antique Bronze
Cast Iron	DP912A	Antique Bronze
Copper Glimmer	DP918A	Antique Bronze
Copper Penny	DP961A	Antique Bronze
English Bronze	DP922A	Antique Bronze
Frosty Morn	DP924A	Silver
Hammered Silver	DP929A	Silver
Naturelle	DP903A	Black
Old Black	DP901A	Black
Old Rust	DP955A	Antique Bronze
Pure White-Glossy	DP936A	White
Pure White-Satin	DP933A	White
Royal Red	DP942A	Gold
Rusty	DP904A	Black
Silver Shimmer	DP947A	Silver
Soft Pewter	DP913A	Black
Steel	DP949A	Antique Bronze
Superior Bronze	DP950A	Antique Bronze
Urbane Bronze	DP951A	Antique Bronze
White Dove	DP954A	White

Décor Finishes - B	Code	Track Finish
Aged Brass	DP956B	Antique Bronze
Aged Chestnut	DP905B	Antique Bronze
Black Embers	DP908B	Black
Champagne	DP948B	Gold
Chateau	DP916B	Antique Bronze
Cherrywood	DP917B	Black
Clouds	DP911B	White
Creamy	DP920B	White
Ebony	DP921B	Black
French Nobility	DP923B	White
Hickory	DP930B	Gold
Italian Gold	DP931B	Gold
Italian Walnut	DP932B	Gold
Mahogany	DP943B	Black
Monarch	DP960B	Silver
Paris Rain	DP962B	Silver
Precious Metals	DP939B	Gold
Queensland Walnut	DP940B	Black
Rich Gold	DP907B	Gold
Sage	DP946B	Silver
Vintage Gold	DP952B	Gold
Weathered Iron	DP953B	Antique Bronze
Zinc	DP957B	Antique Bronze

Pinch Pleat Glide Measurements

For all manual traversing, and motorized traversing with rings.

- A. Distance from top of ring to bottom of glide.
- B. Distance from top of ring to rod.
- C. Distance from top of rod to bottom of glide.
- D. Distance from bottom of ring to bottom of glide.
- E. Distance from bottom of rod to bottom of glide.
(Same for all: 1 3/8")

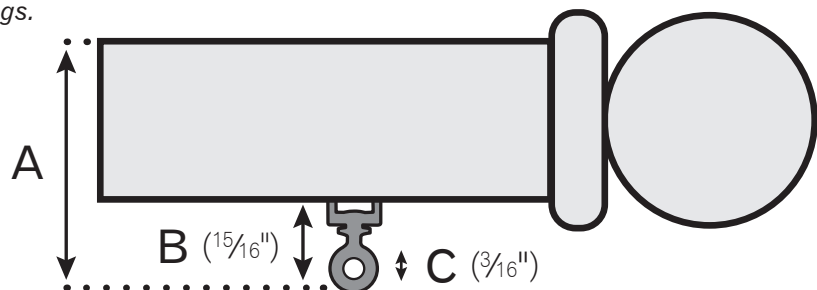


Traversing in Iron / Italian		Traversing in Wood	Tuscany Traversing
Round Rings:	Square Rings:	Round Rings:	Round Rings:
1 1/2" Diameter Rods	1 1/2" Diameter Rods	2" Diameter Poles	3" Diameter Rods
A. 4 1/8"	A. 3 7/8"	A. 4"	A. 5 5/8"
B. 1 1/4"	B. 1"	B. 3/4"	B. 1 1/4"
C. 2 7/8"	C. 2 7/8"	C. 3 1/4"	C. 4 3/8"
D. 1/2"	D. 1/2"	D. 3/8"	D. 1/2"
2" Diameter Rods	2" Diameter Rods	2 1/4" Diameter Poles	
A. 4 5/8"	A. 4 1/2"	A. 4 1/4"	
B. 1 1/4"	B. 1 1/8"	B. 7/8"	
C. 3 3/8"	C. 3 3/8"	C. 3 3/8"	
D. 1/2"	D. 1/2"	D. 3/8"	
3" Diameter Rods		3" Diameter Poles	
A. 5 5/8"		A. 5 5/8"	
B. 1 1/4"		B. 1"	
C. 4 3/8"		C. 4 3/8"	
D. 1/2"		D. 3/8"	

Somfy Pinch Pleat Glide Measurements

For motorized traversing systems without rings.

- A. Distance from top of rod to bottom of glide.
- B. Distance from bottom of rod to bottom of glide: 15/16"
- C. Inner diameter of RippleFold carrier: 3/16"



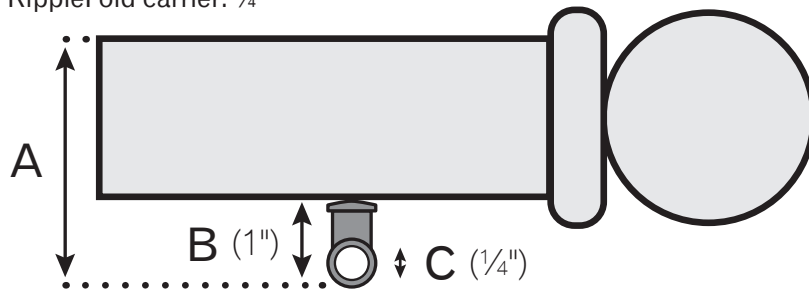
(A) Measurement per Rod or Pole Diameter

	1 1/2" Diameter	2" Diameter	2 1/4" Diameter	3" Diameter
Traversing in Iron / Italian	27/16"	2 15/16"	N/A	3 15/16"
Traversing in Wood	N/A	2 15/16"	3 3/16"	3 15/16"
Tuscany Traversing	N/A	N/A	N/A	3 15/16"

RippleFold Glide Measurements

For manual and motorized systems without rings.

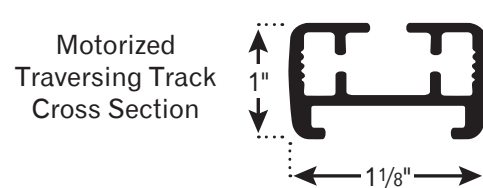
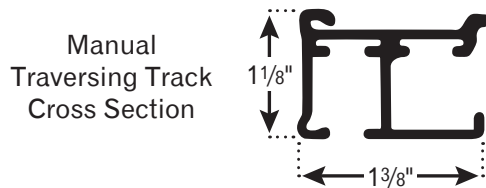
- A. Distance from top of rod to bottom of glide.
- B. Distance from bottom of rod to bottom of glide: 1"
- C. Inner diameter of RippleFold carrier: 1/4"



(A) Measurement per Rod or Pole Diameter

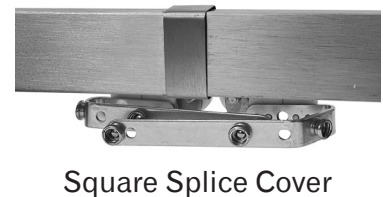
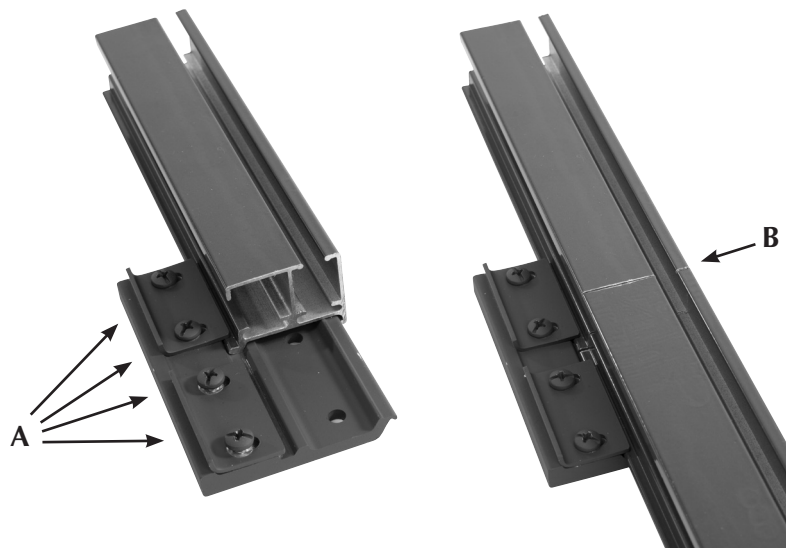
	1½" Diameter	2" Diameter	2¼" Diameter	3" Diameter
Traversing in Iron / Italian	2½"	3"	N/A	4"
Traversing in Wood	N/A	3"	3¼"	4"
Tuscany Traversing	N/A	N/A	N/A	4"

Manual and Motorized Traversing Track Measurements:

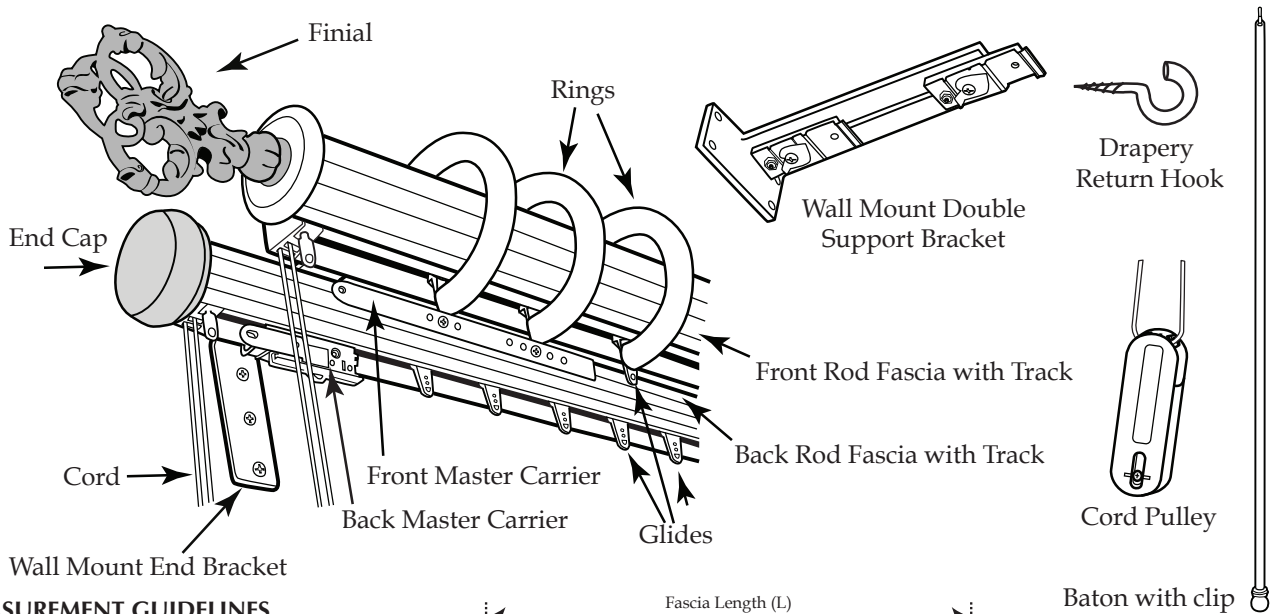


Manual Traversing Splice Plate

- A. Untighten all four screws on the splice plate to allow the top of each track to slide under a locking plate. Tracks are shown upside down. The splice plate will be on top of the tracks once installed.
- B. Connect tracks together in the center of the plate. Do not leave any space between the tracks. Retighten splice plate screws.

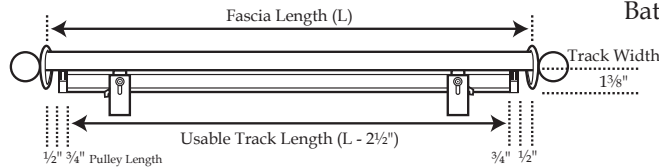


DESIGNERS' CHOICE TRAVERSING RODS



MEASUREMENT GUIDELINES

- Please specify fascia length when ordering.
- Usable Track length will be 2 1/2" shorter than fascia length. (L - 2 1/2")
- If using rings, usable track length will be 3 1/4" shorter than fascia length. (L - 3 1/4")



Iron, Italian, and Wood Traversing Systems

Traversing Systems designed to meet all of the custom needs of interior designers.

- Single or Double Systems in Iron, Italian or Wood Fascia Styles.
- Up to 30 Feet in Length.
- Heavy Duty Track and Accessories Automatically Included.
- End and Support Brackets in Iron Customized for Heavy Duty Applications.
- Wall Mount or Ceiling Mount Brackets with Expandable Projections.
- Front Track with or without Rings.
- Back Rod Fascia Automatically Includes End Caps (Finished).
- Cord Draw or Baton Draw.
- Pinch Pleat or RippleFold.
- Miter Return Available.
- Five Finishes for Traversing Tracks: Antique Bronze, Black, Gold, Silver, and White.
- Track Color Coordinating Pinch Pleat Glides for Systems with Rings. Pinch Pleat Without Rings and RippleFold Glides are White.
- Rods May be Bent or Curved (Excludes Square and Wood Fascia Styles, and Systems with Rings).
- Heavy Duty Packaging.
- Shipped in 15 Business Days.

Iron Rod Fascia Styles:

- 36 Iron Art™ Finishes for Rod Fascia, Finials, Rings, Brackets & End Caps (Back Rod Fascia Only).
- Rods and Diameters:
Round: 1 1/2", 2", and 3"
Round Hammered: 1 1/2", 2", and 3"
Fluted: 1 1/2" and 2"
Square: 1 1/2" and 2"
- Custom Finishes Available on Iron Fascia.
- Select Finials From the Entire Iron Finial and Village Forge Collections.
- Back Rod in Double Traverse System Comes with Iron Fascia 1 1/4" Diameter to Match Front Rod Style.

Italian Collection Iron Fascia Styles:

- 13 Italian Collection Finishes for Rod Fascia, Finials, Rings, Brackets & End Caps (Back Rod Fascia Only).
- Rods and Diameters:
Round: 1 1/2" and 2"
Square: 1 1/2" and 2"
- Select Finials from Italian and Bohemia Collections.
- Back Rod in Double Traverse System Comes with Iron Fascia 1 1/4" Diameter to Match Front Rod Style.

Wood Rod Fascia Styles:

- 11 Wood Art™ Finishes for Rod Fascia, Finials, Rings, Brackets & End Caps (Back Rod Fascia Only).
- Rods and Diameters:
Round: 2", 2 1/4", and 3"
Fluted: 2", 2 1/4", and 3"
- Custom Finishes Available on Wood Fascia.
- Select Finials from New York Wood, Rosina, Wood Craft, Bohemia, or Iron Collections.
- Back Rod in Double Traverse System Comes with Wood Fascia 1 3/8" Diameter to Match Front Rod Style.

Designers' Choice Set Guide: Iron Bracket, Glide, and Ring Quantities

Product	Unit	QTY	Product	Unit	QTY	Product	Unit	QTY
Iron End Brackets Single Bracket Back Plate: H 3 1/4" W 1 1/2" Double Bracket Back Plate: H 4 1/2" W 1 1/2"	SET	2	Rings (Front Rod Only) Including Master Carriers <i>Rings are an additional cost</i>	FOOT	4	Glides Including Master Carrier	FOOT	4

Designers' Choice Traversing Rods: Ordering Information

- Sets automatically include: rod fascia, heavy duty tracks, glides, master carriers*, cords, and cord pulleys**, drapery return hooks, two end brackets, support brackets as needed per length, and back rod end caps (for double rods only). If master carrier style is not specified, Orion will automatically provide overlap masters.
- Items sold separately: finials, rings (front rod with pinch pleat glides only), and batons.
- Set finishes: rods, brackets, return hooks, rings, master carriers, and batons are finished as per finish specified in order.
- Track finishes are available in Antique Bronze, Black, Gold, Silver, and White.
- Glides for pinch pleat systems with rings coordinate with the five track finishes. Pinch pleat glides for systems without rings and RippleFold glides are available in white. Pinch pleat glides are supplied four per foot.
- Please state fullness of 60%, 80%, 100%, or 120% when ordering RippleFold. Please specify Butt or Overlap Master Carrier.
- Traversing rods come with or without rings on front rods with pinch pleat glides only. Back rods and RippleFold glides do not accommodate rings. Two stationary rings are placed on each end for center open systems, one ring is placed on the stack side for one-way draw systems.
- Rings cannot be used on curved traversing sets.
- If desired, you may specify a baton drawn system. **Batons are sold separately.** Please see page 27 for Iron Art™ batons and page 72 for Italian batons.
- Include cord length (standard is 8'), cord placement (left or right), and draw (left stack, right stack, or center open) in your order.
- Please specify wall or ceiling mount end brackets when ordering. Due to limited clearance, we recommend using end caps as finials with ceiling mount brackets. Please contact customer service for a list of other finials which may be used.
- Traversing set pricing is rounded up to the next foot.
- Maximum fabric weight for a 16' track is 62 lbs. for the heavy duty traverse track (automatically provided in each set).
- All heavy duty tracks, iron rods, and wood poles (all diameters) are available in 16' (192") lengths without a splice, and up to 30' (360") with a splice. Please contact customer service for the availability of 19' (228") lengths without a splice. Italian Collection iron rods are available in 10' (108") lengths without a splice, and up to 20' (216") with a splice.**
- We splice any center open traversing rod over 8'6" (102") to save on shipping charges using FedEx/UPS. (One-way draw is not spliced for FedEx/UPS.) Traversing systems not specified as one piece in the order will be spliced in the center, unless a splice location is otherwise noted. Anything specified as one piece and over these lengths is shipped by truck, and final shipping charges are given when the order is shipped. Please note residential truck deliveries are restricted to 24' (288").
- When ordering with miter returns, please add Product #IT307MR, #IC307MR, or #WT307MR. The width entered should be the track measurement. Returns are available as 3½", 4½", 6", and 7".
- Iron and Italian traversing rods can be bent or curved (excludes square fascia styles and systems with rings). Please see bend and curve charges on page 48.

Traversing Accessories: Page 49 of Catalog

Accessories & Charges	Product #	Unit	Price	Additional Information								
Additional Traversing Glides	TRGL	EACH	3	Specify Quantity in Order / Standard is Four per Foot								
Additional Traversing Pinch Pleat Glides	TRGLP	EACH	3	Specify Quantity in Order / Standard is Four per Foot								
Additional Traversing RippleFold Glides	TRGLR	EACH	3	Specify Quantity in Order & Fullness								
Additional Traversing Cord (white)	TRCR	FOOT	2	Specify Length in Order / Standard is Eight Feet								
Strike Off Charge (net)	IASTRIKE	EACH	65	One time strike off charge for custom finish								
"C" Ring Styles (Front Rod Only)	Product #	Unit	1½"			2"			2" & 2¼"		3"	
			Inner Diameter			Inner Diameter			Inner Diameter		Inner Diameter	
			Iron	Italian		Iron	Italian		Wood	Iron	Wood	
			I, J, K	L		I, J, K	L					
Round Iron "C" Rings	IT/IC350TR	EACH	19	25	30	21	27	33	N/A	24	N/A	
Square Iron "C" Rings	IT/IC352TR	EACH	19	25	30	21	27	33	N/A	N/A	N/A	
Round Hammered Iron "C" Rings	IT356TR	EACH	22	N/A	N/A	22	N/A	N/A	N/A	24	N/A	
Smooth Wood "C" Rings	WT5047TR	EACH	N/A	N/A	N/A	N/A	N/A	N/A	24	N/A	29	
Fluted Wood "C" Rings	WT5049TR	EACH	N/A	N/A	N/A	N/A	N/A	N/A	24	N/A	29	

* Center open rods come with two master carriers, while one-way draw rods come with one. Front rod carriers each hold two rings.

** Cord drawn traversing sets include cords and cord pulleys. Batons for baton drawn sets are sold separately.

Traversing Accessories: Page 49 of Catalog (continued)

Miter with Return	Product #	Unit	Price	Additional Information
Designers' Choice: Iron	IT307MR	EACH	107	Available in 3½", 4½", 6", and 7"
Designers' Choice: Italian	IC307MR	EACH	113	Available in 3½", 4½", 6", and 7"
Designers' Choice: Wood	WT307MR	EACH	88	Available in 3½", 4½", 6", and 7"
Bend and Curve Charges	Product #	Unit	Price	Additional Information
Single Track Bend	ITBENDCRS	EACH	63	Bend Single Traversing Set - Fascia with Traversing Track
Double Track Bend	ITBENDCRD	EACH	126	Bend Double Traversing Set - Fascias with Traversing Tracks
Single Track Curve	ITBENDCVS	FOOT	44	Curve Single Traversing Set - Fascia with Traversing Track
Double Track Curve	ITBENDCVD	FOOT	76	Curve Double Traversing Set - Fascias with Traversing Tracks

See pages 52-53 for brackets.

Single Traversing Sets: Pages 44 & 72 of Catalog

(Add Finials, Rings, Accessories, and Miscellaneous Charges Where Applicable)

Style	Set #	4 Feet	5 Feet	6 Feet	7 Feet	8 Feet	9 Feet	10 Feet	Additional Foot
Track Only	ITTRACK-S	314	349	401	463	524	585	646	61
Designers' Choice: Iron									
Round 1½" Dia.	ITRR-S-112	547	682	786	891	1026	1131	1237	173
Round 2" Dia.	ITRR-S-200	561	703	815	927	1070	1181	1294	180
Round 3" Dia.	ITRR-S-300	643	797	919	1042	1197	1318	1441	190
Round Hammered 1½" Diameter	ITRH-S-112	571	715	827	938	1082	1192	1305	180
Round Hammered 2" Diameter	ITRH-S-200	584	737	854	973	1124	1243	1362	187
Round Hammered 3" Diameter	ITRH-S-300	668	834	967	1101	1264	1398	1530	202
Fluted 1½" Dia.	ITFL-S-112	601	751	869	987	1139	1257	1376	187
Fluted 2" Dia.	ITFL-S-200	615	772	899	1024	1181	1308	1433	193
Square 1½" Dia.	ITSQ-S-112	571	715	827	938	1082	1192	1305	180
Square 2" Dia.	ITSQ-S-200	584	737	854	973	1124	1243	1362	187
Designers' Choice: Italian									
Designers' Choice: Italian (Finish Group I, J, K)									
Round 1½" Dia.	ICRR-S-112	802	988	1126	1265	1454	1609	1764	198
Round 2" Dia.	ICRR-S-200	837	1040	1194	1348	1539	1706	1874	212
Square 1½" Dia.	ICSQ-S-112	837	1040	1194	1348	1539	1706	1874	212
Square 2" Dia.	ICSQ-S-200	872	1090	1261	1431	1624	1804	1987	227
Designers' Choice: Italian (Finish Group L)									
Round 1½" Dia.	ICRR-S-112	883	1087	1239	1390	1599	1770	1940	219
Round 2" Dia.	ICRR-S-200	921	1144	1313	1484	1693	1877	2061	232
Square 1½" Dia.	ICSQ-S-112	921	1144	1313	1484	1693	1877	2061	232
Square 2" Dia.	ICSQ-S-200	959	1199	1387	1574	1786	1984	2186	249
Designers' Choice: Wood									
Smooth 2" Dia.	WTRN-S-200	490	620	720	820	950	1050	1150	165
Smooth 2¼" Dia.	WTRN-S-214	490	620	720	820	950	1050	1150	165
Smooth 3" Dia.	WTRN-S-300	543	690	807	923	1071	1188	1305	181

Single Traversing Sets: Pages 44 & 72 of Catalog (continued)

(Add Finials, Rings, Accessories, and Miscellaneous Charges Where Applicable)

Style	Set #	4 Feet	5 Feet	6 Feet	7 Feet	8 Feet	9 Feet	10 Feet	Additional Foot
Fluted 2" Dia.	WTFL-S-200	490	620	720	820	950	1050	1150	165
Fluted 2¼" Dia.	WTFL-S-214	490	620	720	820	950	1050	1150	165
Fluted 3" Dia.	WTFL-S-300	560	709	823	940	1089	1204	1322	181
Number of Brackets Included:		2	3	3	3	4	4	4	See Note*

*Additional brackets will be included at 11', 14', 17', 20', 23', 26', and 29'. See page 52 for bracket specifications.

Double Traversing Sets: Pages 45 & 73 of Catalog

(Add Finials, Rings, Accessories, and Miscellaneous Charges Where Applicable)

Style	Set #	4 Feet	5 Feet	6 Feet	7 Feet	8 Feet	9 Feet	10 Feet	Additional Foot
Track Only	ITTRACK-D	671	817	963	1110	1258	1405	1551	147
Designers' Choice: Iron									
Round 1½" Dia.	ITRR-D-112	880	1104	1280	1458	1682	1858	2034	268
Round 2" Dia.	ITRR-D-200	901	1135	1319	1505	1737	1922	2107	275
Round 3" Dia.	ITRR-D-300	934	1168	1357	1546	1778	1968	2157	273
Round Hammered 1½" Diameter	ITRH-D-112	909	1138	1319	1500	1727	1910	2091	272
Round Hammered 2" Diameter	ITRH-D-200	927	1163	1354	1543	1781	1970	2160	280
Round Hammered 3" Diameter	ITRH-D-300	958	1199	1397	1593	1834	2032	2229	283
Fluted 1½" Dia.	ITFL-D-112	852	1061	1228	1398	1590	1769	1943	233
Fluted 2" Dia.	ITFL-D-200	862	1070	1238	1405	1606	1773	1946	246
Square 1½" Dia.	ITSQ-D-112	834	1051	1221	1393	1608	1780	1951	255
Square 2" Dia.	ITSQ-D-200	853	1070	1240	1412	1627	1799	1970	274

Designers' Choice: Italian

Designers' Choice: Italian (Finish Group I, J, K)

Round 1½" Dia.	ICRR-D-112	1048	1320	1531	1741	2013	2224	2434	318
Round 2" Dia.	ICRR-D-200	1091	1382	1610	1840	2131	2360	2589	337
Square 1½" Dia.	ICSQ-D-112	992	1256	1464	1673	1937	2145	2354	306
Square 2" Dia.	ICSQ-D-200	1031	1295	1503	1712	1976	2184	2393	345

Designers' Choice: Italian (Finish Group L)

Round 1½" Dia.	ICRR-D-112	1154	1453	1684	1915	2215	2446	2677	351
Round 2" Dia.	ICRR-D-200	1200	1520	1771	2025	2344	2596	2848	371
Square 1½" Dia.	ICSQ-D-112	1091	1382	1610	1841	2131	2360	2589	337
Square 2" Dia.	ICSQ-D-200	1133	1424	1652	1883	2173	2402	2631	379

Designers' Choice: Wood

Smooth 2" Dia.	WTRN-D-200	723	915	1066	1214	1408	1556	1706	232
Smooth 2¼" Dia.	WTRN-D-214	723	915	1066	1214	1408	1556	1706	232
Smooth 3" Dia.	WTRN-D-300	768	969	1127	1286	1472	1642	1812	271
Fluted 2" Dia.	WTFL-D-200	723	915	1066	1214	1408	1556	1706	232
Fluted 2¼" Dia.	WTFL-D-214	723	915	1066	1214	1408	1556	1706	232
Fluted 3" Dia.	WTFL-D-300	768	969	1127	1286	1472	1642	1812	271

Number of Brackets Included:		2	3	3	3	4	4	4	See Note*
-------------------------------------	--	---	---	---	---	---	---	---	-----------

*Additional brackets will be included at 11', 14', 17', 20', 23', 26', and 29'. See page 52 for bracket specifications.

Stationary Rod Front And Trav Fascia In Back

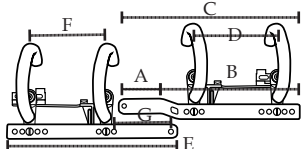
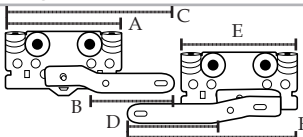
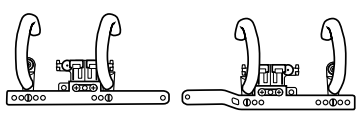
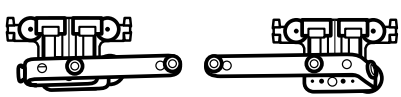
Includes 2 End Brackets and 2 End Caps for Back Traversing Fascia. Fascia will be 1¼"

Style	Set #	4 Feet	5 Feet	6 Feet	7 Feet	8 Feet	9 Feet	10 Feet	Additional Foot
Designers' Choice: Iron									
Round 1¼" Dia.	STA-ITRR-114	620	756	862	966	1102	1206	1310	200
Round 1½" Dia.	STA-ITRR-112	625	760	865	970	1105	1210	1314	203
Round 2" Dia.	STA-ITRR-200	646	788	902	1012	1156	1267	1379	218
Round 3" Dia.	STA-ITRR-300	741	895	1017	1139	1294	1392	1537	240
Round Hammered 1¼" Diameter	STA-ITRH-114	660	803	914	1025	1169	1280	1392	220
Round Hammered 1½" Diameter	STA-ITRH-112	663	806	918	1029	1173	1283	1397	224
Round Hammered 2" Diameter	STA-ITRH-200	685	836	954	1073	1224	1343	1461	239
Round Hammered 3" Diameter	STA-ITRH-300	781	946	1078	1211	1376	1510	1642	266
Square 1¼" Dia.	STA-ITSQ-114	645	788	901	1011	1156	1267	1378	206
Square 1½" Dia.	STA-ITSQ-112	649	794	904	1016	1160	1271	1381	211
Square 2" Dia.	STA-ITSQ-200	672	822	941	1058	1210	1328	1447	225
Designers' Choice: Italian									
Designers' Choice: Italian (Finish Group I, J, K)									
Round 1¼" Dia.	STA-ICRR-114	921	1108	1245	1383	1574	1728	1883	261
Round 1½" Dia.	STA-ICRR-112	956	1142	1280	1419	1609	1764	1918	279
Round 2" Dia.	STA-ICRR-200	1004	1207	1359	1514	1705	1873	2042	299
Square 1¼" Dia.	STA-ICSQ-114	956	1158	1313	1466	1658	1825	1993	275
Square 1½" Dia.	STA-ICSQ-112	992	1195	1348	1502	1694	1861	2030	299
Square 2" Dia.	STA-ICSQ-200	1040	1256	1427	1596	1790	1971	2152	312
Designers' Choice: Italian (Finish Group L)									
Round 1¼" Dia.	STA-ICRR-114	1013	1218	1370	1521	1731	1901	2070	287
Round 1½" Dia.	STA-ICRR-112	1053	1256	1407	1561	1770	1940	2109	309
Round 2" Dia.	STA-ICRR-200	1104	1328	1496	1665	1876	2060	2245	329
Square 1¼" Dia.	STA-ICSQ-114	1053	1273	1443	1613	1823	2008	2191	301
Square 1½" Dia.	STA-ICSQ-112	1091	1315	1484	1650	1862	2047	2233	329
Square 2" Dia.	STA-ICSQ-200	1144	1383	1571	1756	1970	2168	2366	343
Designers' Choice: Wood									
Smooth 2" Dia.	STA-WTRN-200	805	981	1123	1266	1441	1583	1726	208
Smooth 2¼" Dia.	STA-WTRN-214	805	981	1123	1266	1441	1583	1726	208
Smooth 3" Dia.	STA-WTRN-300	1139	1286	1403	1520	1668	1784	1902	278
Fluted 2" Dia.	STA-WTFL-200	805	981	1123	1266	1441	1583	1726	208
Fluted 2¼" Dia.	STA-WTFL-214	805	981	1123	1266	1441	1583	1726	208
Fluted 3" Dia.	STA-WTFL-300	1139	1286	1403	1520	1668	1784	1902	278
Number of Brackets Included:		2	3	3	3	4	4	4	See Note*

*Additional brackets will be included at 11', 14', 17', 20', 23', 26', and 29'. See page 52 for bracket specifications.

Additional Master Carriers for Traversing Sets

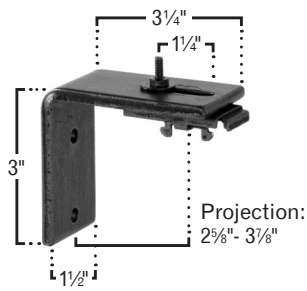
Additional master carriers for manual and motorized traversing sets including: Designers' Choice Traversing, Tuscany Traversing, Deco Lite Traversing, Tuscany Collection Cornices, and Tropical Collection Cornices.

Master Carriers for Traversing Sets	Product #	Unit	Price	Includes:
Manual Traversing:				
	A - 2¼" B - 5¼" C - 7½" D - 3½"	E - 7⅛" F - 3¼" G - 2⅜"		
Extra Master Carriers with Rings (Pinch Pleat Only)				
Master Carrier Set with Rings in Iron Art Finishes	MCSRDC-IA	EACH	119	<ul style="list-style-type: none"> One straight master carrier for rings. One overlap master carrier for rings. Four rings (two for each carrier).
Master Carrier Set with Rings in Italian Finishes	MCSRDC-IT	EACH	143	
Single Master Carrier with Rings in Iron Art Finishes	MCRDC-IA	EACH	59	<ul style="list-style-type: none"> One straight or overlap master carrier for rings. Please specify in order.
Single Master Carrier with Rings in Italian Finishes	MCRDC-IT	EACH	71	<ul style="list-style-type: none"> Two rings.
	A - 3" B - 1½" C - 4⅜"	D - 2⅜" E - 3" F - 4⅜"		
Extra Master Carriers without Rings (Please Specify Pinch Pleat or RippleFold) (Shown as Pinch pleat)				
Master Carrier Set in Iron Art Finishes	MCSDC-IA	EACH	91	<ul style="list-style-type: none"> One straight master carrier. One overlap master carrier.
Master Carrier Set in Italian Finishes	MCSDC-IT	EACH	102	
Single Master Carrier in Iron Art Finishes	MCDC-IA	EACH	47	<ul style="list-style-type: none"> One straight or overlap master carrier. Please specify in order.
Single Master Carrier in Italian Finishes	MCDC-IT	EACH	47	
Somfy Motorized Traversing:				
	A - 2¼" B - 5¼" C - 7½" D - 3¾"	E - 7⅛" F - 3⅝" G - 2⅜"		
Extra Master Carriers with Rings (Pinch Pleat Only)				
Master Carrier Set with Rings in Iron Art Finishes	MCSRSM-IA	EACH	119	<ul style="list-style-type: none"> One straight master carrier for rings. One overlap master carrier for rings. Four rings (two for each carrier).
Master Carrier Set with Rings in Italian Finishes	MCSRSM-IT	EACH	143	
Single Master Carrier with Rings in Iron Art Finishes	MCRSM-IA	EACH	59	<ul style="list-style-type: none"> One straight or overlap master carrier for rings. Please specify in order.
Single Master Carrier with Rings in Italian Finishes	MCRSM-IT	EACH	71	<ul style="list-style-type: none"> Two rings.
	A - 3" B - 2½" C - 4⅜"	D - 2½" E - 3" F - 4¾"		
Extra Master Carriers without Rings (Please Specify Pinch Pleat or RippleFold) (Shown as Overlap RippleFold)				
Master Carrier Set in Iron Art Finishes	MCSSM-IA	EACH	91	<ul style="list-style-type: none"> Overlap option for Pinch Pleat or RippleFold includes: <ul style="list-style-type: none"> One straight master carrier. One overlap master carrier.
Master Carrier Set in Italian Finishes	MCSSM-IT	EACH	102	<ul style="list-style-type: none"> Butt option for RippleFold includes: <ul style="list-style-type: none"> Two butt master carriers. Please specify overlap or butt option for RippleFold.
Single Master Carrier in Iron Art Finishes	MCSM-IA	EACH	47	<ul style="list-style-type: none"> One straight or overlap master carrier. Please specify in order.
Single Master Carrier in Italian Finishes	MCSM-IT	EACH	47	

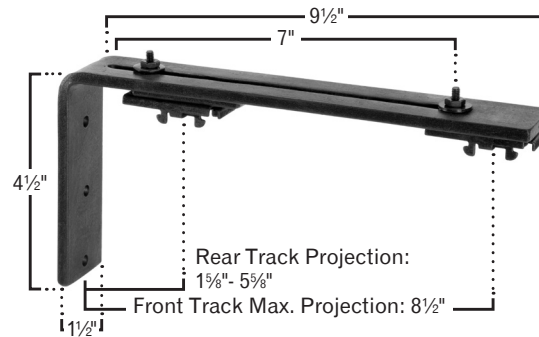
Manual Traversing Brackets: Page 44-45, & 49 of Catalog

Space between double traversing tracks is 2 7/8" - 6 3/4". See page 59 for Deco Lite Traversing brackets.

Single End Bracket



Double End Bracket



Iron/Wood
IT1048EBS

Italian
IC1048EBS

Finish Group I,J,K

Finish Group L

\$28

\$47

\$56

Iron/Wood
IT1049EBD

Italian
IC1049EBD

Finish Group I,J,K

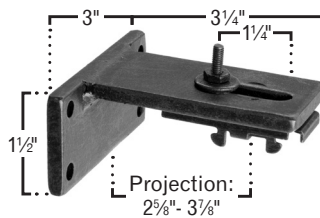
Finish Group L

\$38

\$52

\$63

Single Support Bracket



Double Support Bracket



Iron/Wood
IT1050SBS

Italian
IC1050SBS

Finish Group I,J,K

Finish Group L

\$28

\$47

\$56

Iron/Wood
IT1051SBD

Italian
IC1051SBD

Finish Group I,J,K

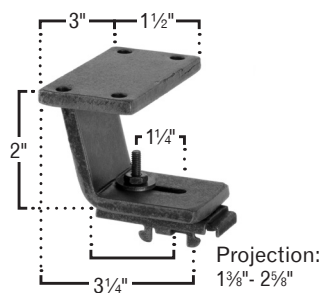
Finish Group L

\$38

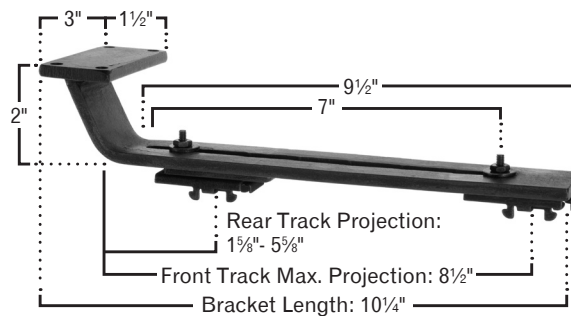
\$52

\$63

Single Ceiling Bracket (for systems without rings)



Double Ceiling Bracket (for systems without rings)



Iron/Wood
IT1052CBS-2

Italian
IC1052CBS-2

Finish Group I,J,K

Finish Group L

\$28

\$48

\$57

Iron/Wood
IT1053CBD-2

Italian
IC1053CBD-2

Finish Group I,J,K

Finish Group L

\$39

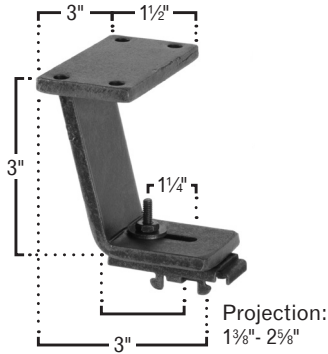
\$52

\$63

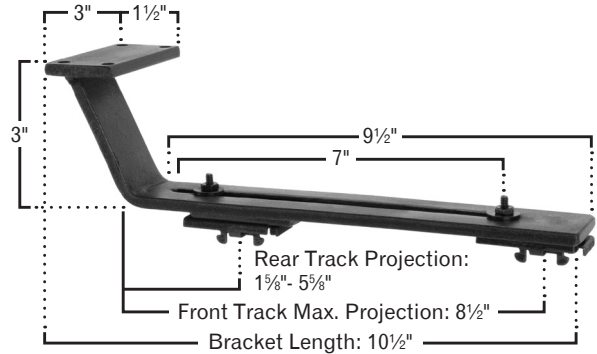
Manual Traversing Brackets: Page 44-45, & 49 of Catalog

Space between double traversing tracks is 2⁷/₈" - 6³/₄". See page 59 for Deco Lite Traversing brackets.

Single Ceiling Bracket (for systems with rings)

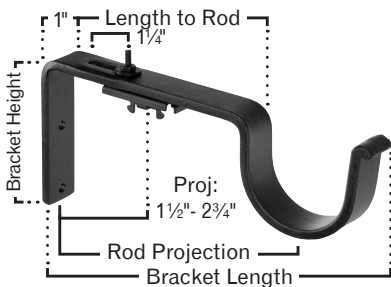


Double Ceiling Bracket (for systems with rings)

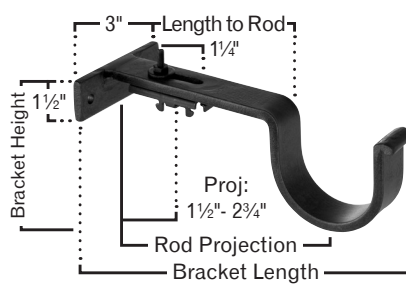


Iron/Wood IT1052CBS-3	Italian IC1052CBS-3	Iron/Wood IT1053CBD-3	Italian IC1053CBD-3
	Finish Group I,J,K		Finish Group I,J,K
			Finish Group L
\$28	\$48	\$39	\$52
			\$63

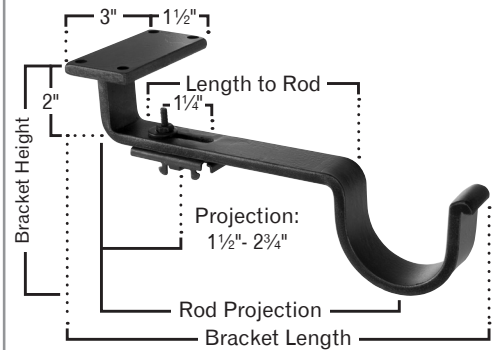
Front Stationary / Rear Traversing End Bracket



Front Stationary / Rear Traversing Support Bracket



Front Stationary / Rear Traversing Ceiling Bracket



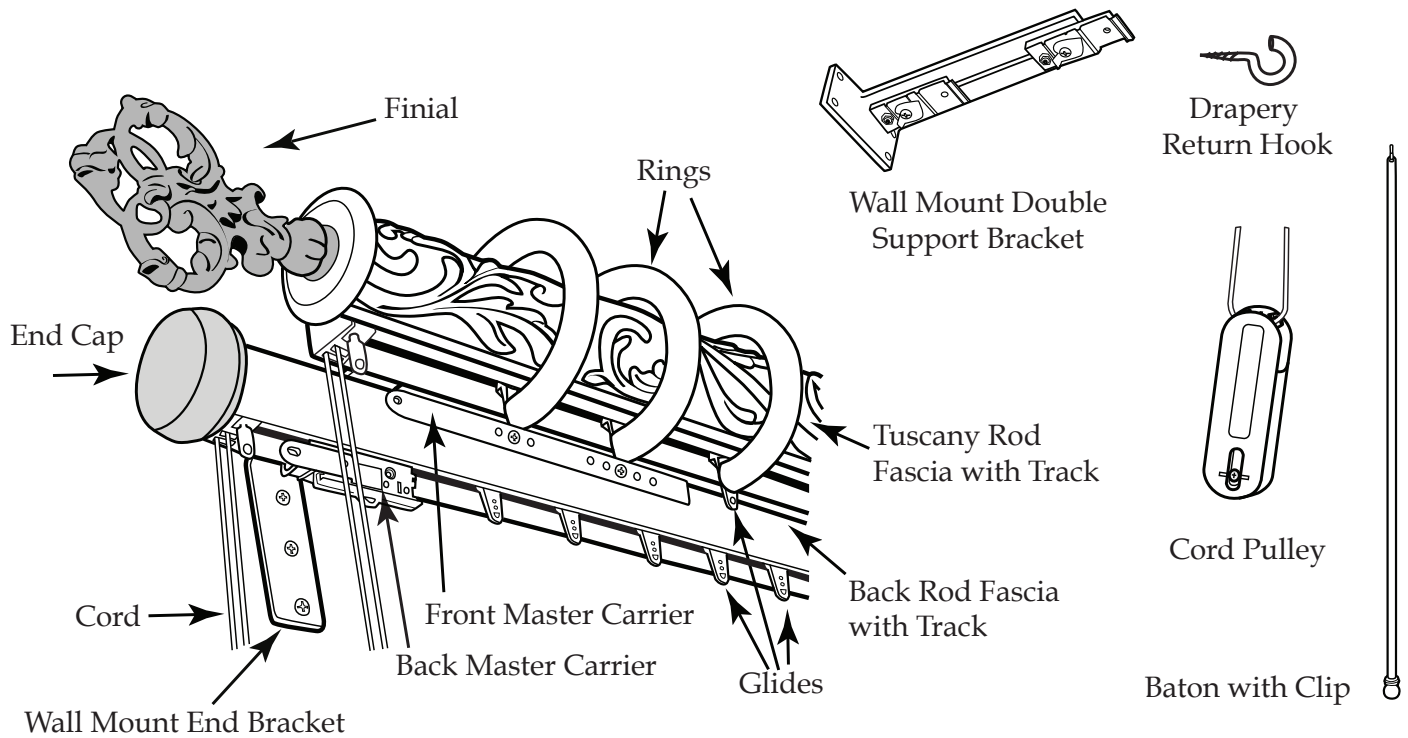
For 1 ¹ / ₄ " Rods 8 ¹ / ₄ "L x 4 ¹ / ₂ "H LENGTH TO POLE: 6 ³ / ₈ " POLE PROJECTION: 7"	For 1 ³ / ₈ " Poles 8 ¹ / ₄ "L x 4 ¹ / ₂ "H LENGTH TO POLE: 6 ³ / ₈ " POLE PROJECTION: 7"	For 1 ¹ / ₄ " Rods 8 ¹ / ₄ "L x 1 ¹ / ₂ "H LENGTH TO POLE: 6 ³ / ₈ " POLE PROJECTION: 7"	For 1 ³ / ₈ " Poles 8 ¹ / ₄ "L x 1 ³ / ₄ "H LENGTH TO POLE: 6 ³ / ₈ " POLE PROJECTION: 7"	For 1 ¹ / ₄ " Rods 8 ¹ / ₄ "L x 3 ¹ / ₄ "H LENGTH TO POLE: 6 ³ / ₈ " POLE PROJECTION: 7"	For 1 ³ / ₈ " Poles 8 ¹ / ₄ "L x 3 ³ / ₈ "H LENGTH TO POLE: 6 ³ / ₈ " POLE PROJECTION: 7"
For 1 ¹ / ₂ " Rods 8 ³ / ₈ "L x 4 ¹ / ₂ "H LENGTH TO POLE: 6 ¹ / ₄ " POLE PROJECTION: 7"	For 2" Rods 8 ⁵ / ₈ "L x 4 ¹ / ₂ "H LENGTH TO POLE: 6" POLE PROJECTION: 7 ¹ / ₈ "	For 1 ¹ / ₂ " Rods 8 ³ / ₈ "L x 1 ³ / ₄ "H LENGTH TO POLE: 6 ¹ / ₄ " POLE PROJECTION: 7"	For 2" Rods 8 ⁵ / ₈ "L x 2 ¹ / ₄ "H LENGTH TO POLE: 6" POLE PROJECTION: 7 ¹ / ₈ "	For 1 ¹ / ₂ " Rods 8 ³ / ₈ "L x 3 ¹ / ₂ "H LENGTH TO POLE: 6 ¹ / ₄ " POLE PROJECTION: 7"	For 2" Rods 8 ⁵ / ₈ "L x 4"H LENGTH TO POLE: 6" POLE PROJECTION: 7"
For 2 ¹ / ₄ " Poles 8 ³ / ₄ "L x 4 ¹ / ₂ "H LENGTH TO POLE: 5 ⁷ / ₈ " POLE PROJECTION: 7 ¹ / ₈ "	For 3" Rods 10 ¹ / ₈ "L x 5"H LENGTH TO POLE: 6 ¹ / ₂ " POLE PROJECTION: 8 ¹ / ₄ "	For 2 ¹ / ₄ " Poles 8 ³ / ₄ "L x 2 ¹ / ₂ "H LENGTH TO POLE: 5 ⁷ / ₈ " POLE PROJECTION: 7 ¹ / ₈ "	For 3" Rods 10 ¹ / ₈ "L x 3 ³ / ₈ "H LENGTH TO POLE: 6 ¹ / ₂ " POLE PROJECTION: 8 ¹ / ₄ "	For 2 ¹ / ₄ " Poles 8 ³ / ₄ "L x 4 ¹ / ₂ "H LENGTH TO POLE: 5 ⁷ / ₈ " POLE PROJECTION: 7"	For 3" Rods 10 ¹ / ₈ "L x 5"H LENGTH TO POLE: 6 ¹ / ₂ " POLE PROJECTION: 8"

Iron/Wood IT1054EBD	Italian IC1054EBD	Iron/Wood IT1055SBD	Italian IC1055SBD	Iron/Wood IT1056CBD	Italian IC1056CBD
	Finish		Finish		Finish
					Finish
	Group I,J,K		Group I,J,K		Group I,J,K
			Group L		Group L
\$52	\$69	\$52	\$69	\$54	\$72
	\$83		\$83		\$87

Front Stationary / Rear Traversing Brackets Accommodate 1¹/₄" Diameter Iron or 1³/₈" Diameter Wood Traversing Fascias.

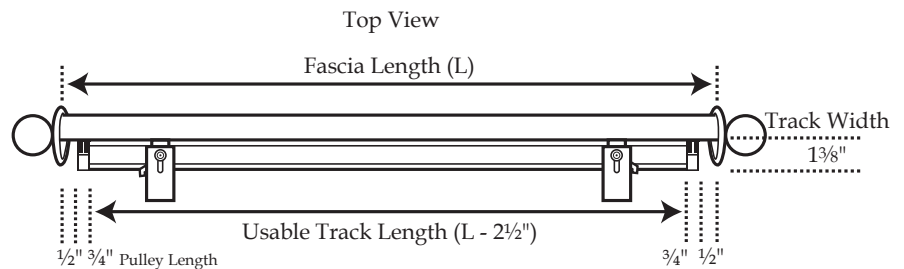
Tuscany Traversing

COLLECTION



MEASUREMENT GUIDELINES

- Please specify fascia length when ordering.
- Usable Track length will be 2½" shorter than fascia length. (L - 2½")



Iron Tuscany Traversing Systems

Traversing Systems designed to meet all of the custom needs of interior designers.

- Single or Double Systems in Decorative Tuscany Rod Fascias.
- 11 Tuscany Designs.
- Up to 30 Feet in Length.
- Heavy Duty Track and Accessories Automatically Included.
- End and Support Brackets in Iron Customized for Heavy Duty Applications.
- Wall Mount or Ceiling Mount Brackets with Expandable Projections.
- Front Track with or without Rings.
- Back Rod Fascia in Double Traverse System Includes End Caps (Finished) and 1¼" Diameter Iron Smooth Round Fascia.
- Cord Draw or Baton Draw.
- Rods Without Rings May be Curved.
- Miter Return Available.
- 36 Iron Art™ Finishes for Tuscany Rod Fascia, Finials, Rings, Brackets, and End Caps (Back Rod Fascia Only).
- Custom Finishes Available on Tuscany Rod Fascia.
- Five Finishes for Traversing Tracks: Antique Bronze, Black, Gold, Silver, and White.
- Pinch Pleat or RippleFold.
- Track Color Coordinating Pinch Pleat Glides for Systems with Rings. Pinch Pleat Without Rings and RippleFold Glides are White.
- Heavy Duty Packaging.
- Shipped in 15 Business Days.

Tuscany Traversing Set Guide: Iron Bracket, Glide, and Ring Quantities

Product	Unit	QTY	Product	Unit	QTY	Product	Unit	QTY
Iron End Brackets			Rings (Front Rod Only)			Glides		
Single Bracket Back Plate: H 3¼" W 1½"	SET	2	Including Master Carriers	FOOT	4	Including Master Carrier	FOOT	4
Double Bracket Back Plate: H 4½" W 1½"			Rings are an additional cost					

Tuscany Traversing: Ordering Information

- Sets automatically include: rod fascia, heavy duty tracks, glides, master carriers*, cords, and cord pulleys**, drapery return hooks, two end brackets, support brackets as needed per length, and back rod end caps (for double rods only).
- Items sold separately: finials, rings (front rod with pinch pleat glides only), and batons.
- Set finishes: rods, brackets, return hooks, rings, master carriers and batons are finished as per finish specified in order.
- Track finishes are available in Antique Bronze, Black, Gold, Silver, and White.
- Glides for pinch pleat systems with rings coordinate with the five track finishes. Pinch pleat glides for systems without rings and RippleFold glides are available in white. Pinch pleat glides are supplied four per foot.
- Please state fullness of 60%, 80%, 100%, or 120% when ordering RippleFold.
- Traversing rods come with or without rings on front rods with pinch pleat glides only. Back rods and RippleFold glides do not accommodate rings. Two stationary rings are placed on each end for center open systems, one ring is placed on the stack side for one-way draw systems.
- If desired, you may specify a baton drawn system. **Batons are sold separately.** See page 27 for Iron Art™ batons.
- When ordering, please specify the Tuscany design number, cord length (standard is 8'), cord placement (left or right), and draw (left stack, right stack, or center open).
- Please specify wall or ceiling mount end brackets when ordering. Due to limited clearance, we recommend using end caps as finials with ceiling mount brackets. Please contact customer service for a list of other finials which may be used.
- Tuscany Traversing set pricing is rounded up to the next foot.
- Maximum fabric weight for a 16' track is 62 lbs. for the heavy duty traverse track (automatically provided in each set).
- All heavy duty tracks are available in 16' (192") lengths without a splice, and up to 30' (360") with a splice. Please contact customer service for the availability of 19' (228") lengths without a splice.**
- We splice any center open traversing rod over 102" to save on shipping charges using FedEx/UPS. (One-way draw is not spliced for FedEx/UPS.) Traversing systems not specified as one piece in the order will be spliced in the center, unless a splice location is otherwise noted. Anything specified as one piece and over these lengths is shipped by truck, and final shipping charges are given when the order is shipped. Please note residential truck deliveries are restricted to 24' (288").
- When ordering with miter returns, please add Product #IT307MR. The width entered should be the track measurement. Returns are available as 3½", 4½", 6", and 7".
- Tuscany Traversing rods not using rings can be curved. Please see curve charges below.
- Custom finish: 40% additional charge. Please add a one time strike off charge (Product #IASTRIKE).

Tuscany Traversing Sets: Page 46 of Catalog

(Add Finials, Rings, Accessories, and Miscellaneous Charges Where Applicable)

Style	Set #	4 Feet	5 Feet	6 Feet	7 Feet	8 Feet	9 Feet	10 Feet	Additional Foot
Single System	TTKT-S	628	815	961	1110	1295	1443	1590	230
Double System	TTKT-D	1002	1184	1413	1643	1925	2154	2383	331
Number of Brackets Included:		2	3	3	3	4	4	4	See Note†

†Additional brackets will be included at 11', 14', 17', 20', 23', 26', and 29'. See page 52 for bracket specifications.

Traversing Accessories: Page 49 of Catalog

Accessories & Charges	Product #	Unit	Price	Additional Information					
Additional Traversing Glides	TRGL	EACH	3	Specify Quantity in Order / Standard is Four per Foot					
Additional Traversing Cord (white)	TRCR	FOOT	2	Specify Length in Order / Standard is Eight Feet					
Strike Off Charge (net)	IASTRIKE	EACH	65	One time strike off charge for custom finish					
Miter with Return	IT307MR	EACH	107	Available in 3½", 4½", 6", and 7"					
"C" Ring Styles (Front Rod Only)	Product #	Unit	1½" Inner Diameter		2" Inner Diameter		3" Inner Diameter		
			Iron	Italian	Iron	Italian	Iron		
				I, J, K	L		I, J, K	L	
Round Iron "C" Rings	IT/IC350TR	EACH	19	25	30	21	27	33	24
Round Hammered Iron "C" Rings	IT356TR	EACH	22	N/A	N/A	22	N/A	N/A	24
Curve Charges	Product #	Unit	Price	Additional Information					
Single Track Curve	ITBENDCVS	FOOT	44	Curve Single Traversing Set - Fascia with Traversing Track					
Double Track Curve	ITBENDCVD	FOOT	76	Curve Double Traversing Set - Fascias with Traversing Tracks					

* Center open rods come with two master carriers, while one-way draw rods come with one. Front rod carriers each hold two rings.

** Cord drawn traversing sets include cords and cord pulleys. Batons for baton drawn sets are sold separately.

*** Ceiling mount support brackets have a 2" drop for rods without rings, and a 3" drop for rods with rings.

FASCIA DESIGNS

DT8021 - Acanthus Height: 3½"



DT8023 - Tulip Height: 3½"



DT8034 - Spring Leaf Height: 3¾"



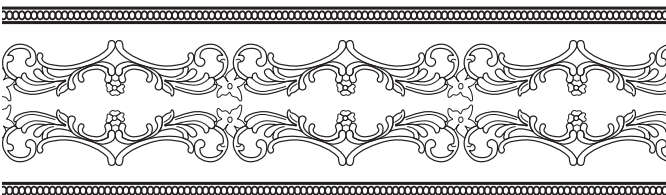
DT8026 - Baroque Height: 3¾"



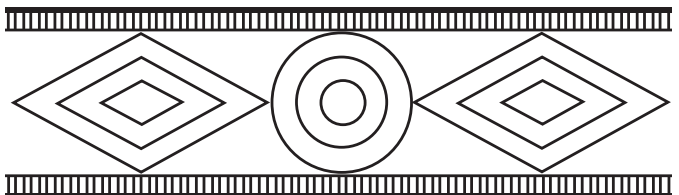
DT8036 - Sea Shore Height: 3¾"



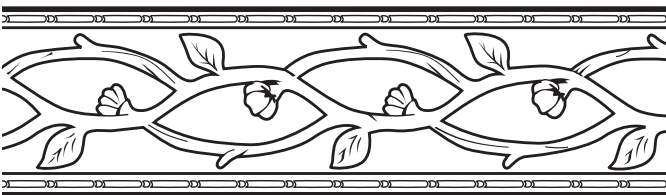
DT8028 - Embossed Height: 27/8"



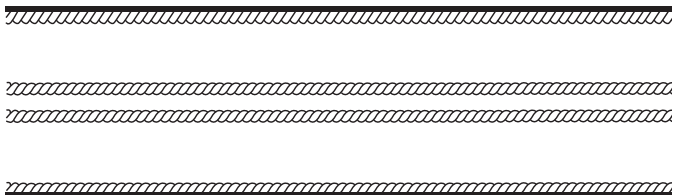
DT8055 - Infinite Geometry Height: 35/8"



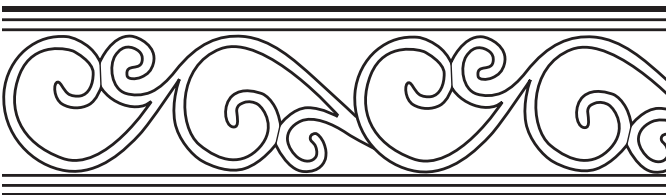
DT8030 - Bud Branch Height: 3½"



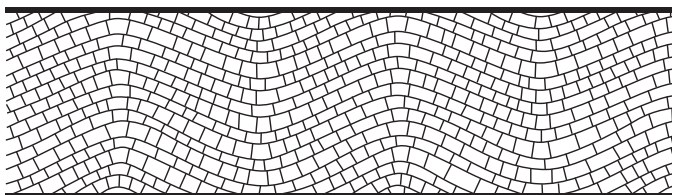
DT8057 - Classic Height: 3½"



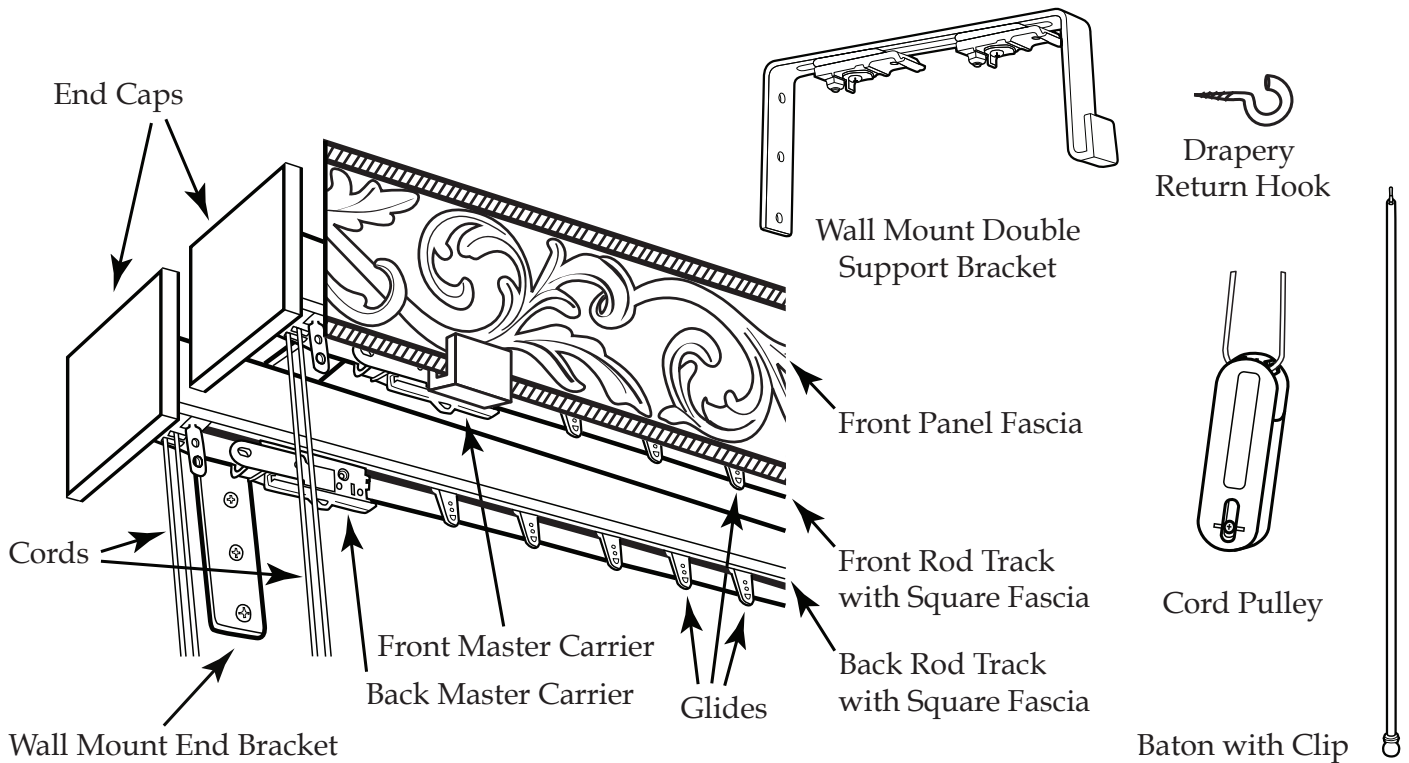
DT8032 - Spanish Scroll Height: 3½"



DT8059 - Royal Road Height: 3½"

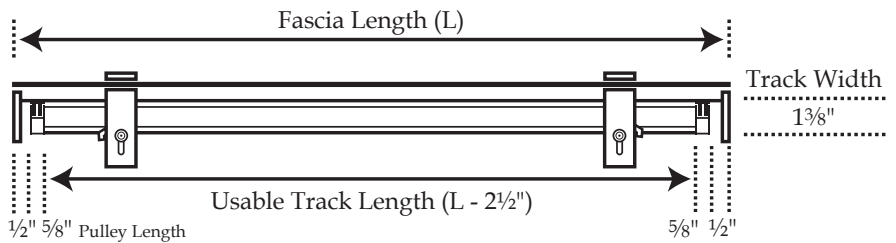


DECO LITE TRAVERSING



MEASUREMENT GUIDELINES

- Please specify fascia length when ordering.
- Usable Track length will be 2½" shorter than fascia length. (L - 2½")



Deco Lite Traversing Systems

Traversing Systems designed to meet all of the custom needs of interior designers.

- Single or Double Systems in Decorative Deco Lite Fascias.
- 11 Deco Lite Designs.
- Up to 30 Feet in Length.
- Heavy Duty Track and Accessories Automatically Included.
- End and Support Brackets in Iron Customized for Heavy Duty Applications.
- Wall Mount or Ceiling Mount Brackets have Expandable Projections.
- Each Rod Includes a 1¼" Diameter Smooth Square Iron Fascia and End Caps.
- Cord Draw or Baton Draw.
- Pinch Pleat or RippleFold.
- 36 Iron Art™ Finishes for Deco Lite Fascia, Rod Fascia, End Caps, and Brackets.
- Custom Finishes Available.
- Five Finishes for Traversing Tracks: Antique Bronze, Black, Gold, Silver, and White.
- Pinch Pleat and RippleFold Glides are White.
- Heavy Duty Packaging.
- Shipped in 15 Business Days.

Deco Lite Traversing Set Guide: Iron Bracket, Glide, and Ring Quantities

Product	Unit	QTY	Product	Unit	QTY
Iron End Brackets Single Bracket Back Plate: H 4½" W 1" Double Bracket Back Plate: H 4½" W 1½"	SET	2	Glides Including Master Carrier	FOOT	4

Deco Lite Traversing: Ordering Information

- Sets automatically include: front panel fascia, square rod fascia, end caps, heavy duty tracks, glides, master carriers*, cords, and cord pulleys**, drapery return hooks, two end brackets, and support brackets as needed per length.
- Items sold separately: batons.
- Rod set finishes: front panel fascia, square rod fascia, end caps, brackets, return hooks, master carriers, and batons are finished as per finish specified in order.
- Track finishes are available in Antique Bronze, Black, Gold, Silver, and White.
- Pinch pleat or RippleFold glides are white. Pinch pleat glides are supplied four per foot.
- Please state fullness of 60%, 80%, 100%, or 120% when ordering RippleFold.
- If desired, you may specify a baton drawn system. **Batons are sold separately.**
Please see page 27 for Iron Art™ batons.
- When ordering, please specify the Deco Lite design number, cord length (standard is 8'), cord placement (left or right), and draw (left stack, right stack, or center open).
- Please specify wall or ceiling mount end brackets when ordering.
- Deco Lite Traversing set pricing is rounded up to the next foot.
- Maximum fabric weight for a 16' track is 62 lbs. for the heavy duty traverse track (automatically provided in each set).
- All heavy duty tracks and fascia are available up to 30' (360"), and are assembled and shipped in one piece. Front panel fascia comes as a single piece only. Tracks over 16' (192") are spliced. Tracks 16' (192") or less **will not** be spliced. Please contact customer service for the availability of 19' (228") lengths without a splice.
- The maximum width for FedEx/UPS shipments is 102". All rods over 102" must be shipped by common carrier (truck line). Please note residential truck deliveries are restricted to 24' (288").
- Custom finish: 40% additional charge. Please add a one time strike off charge (Product #IASTRIKE).

Deco Lite Traversing Sets: Page 50 of Catalog

(Add Finials, Rings, Accessories, and Miscellaneous Charges Where Applicable)

Style	Set #	4 Feet	5 Feet	6 Feet	7 Feet	8 Feet	9 Feet	10 Feet	Additional Foot
Single System	DTKT-S	684	847	1289	1436	1732	1935	2136	285
Double System	DTKT-D	1156	1475	1700	1920	2239	2461	2682	418
Number of Brackets Included:		2	3	3	3	4	4	4	See Note [†]

[†]Additional brackets will be included at 11', 14', 17', 20', 23', 26', and 29'. See page 59 for bracket specifications.

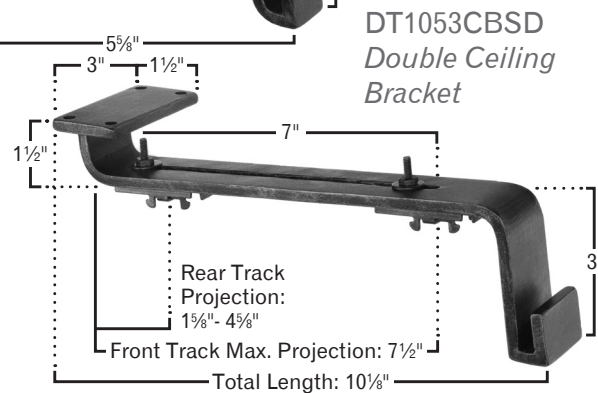
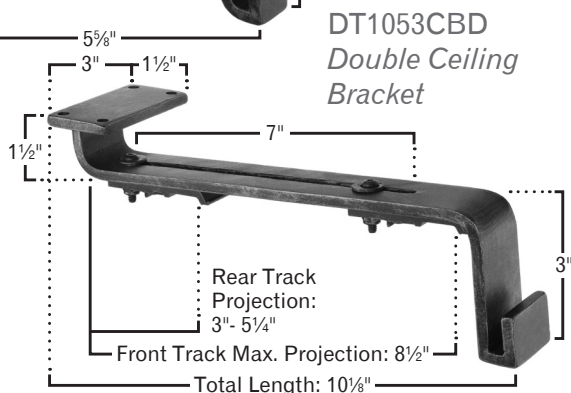
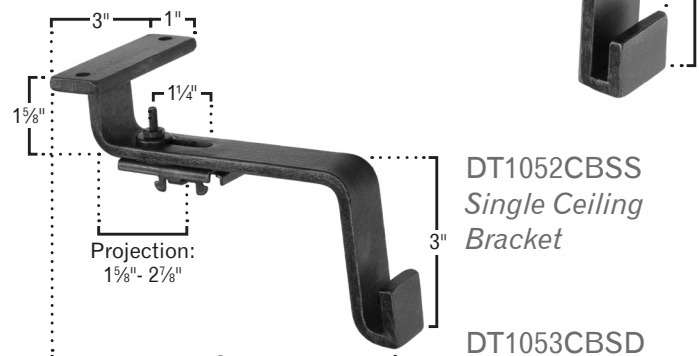
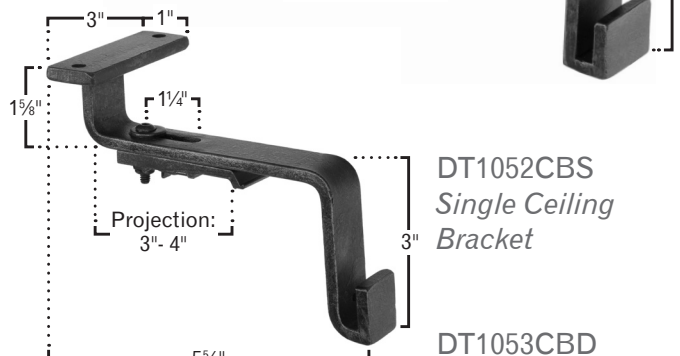
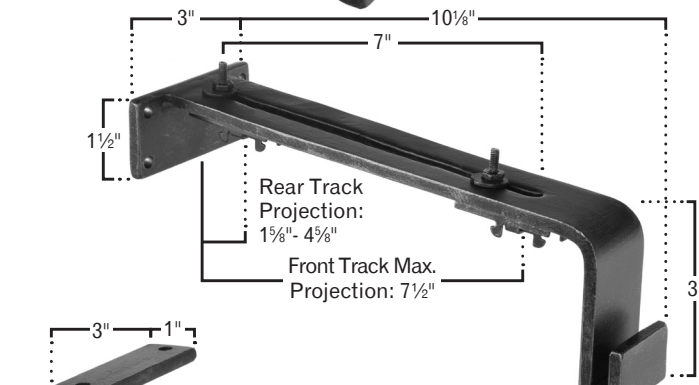
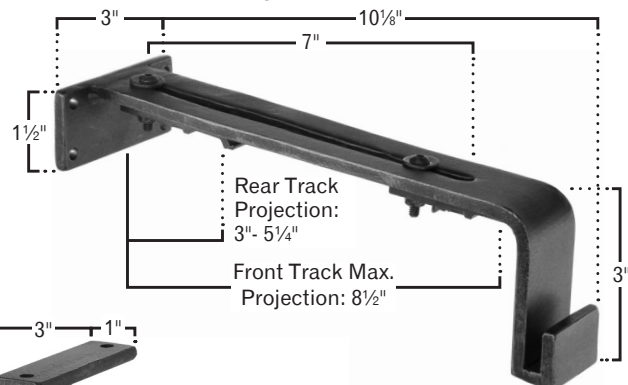
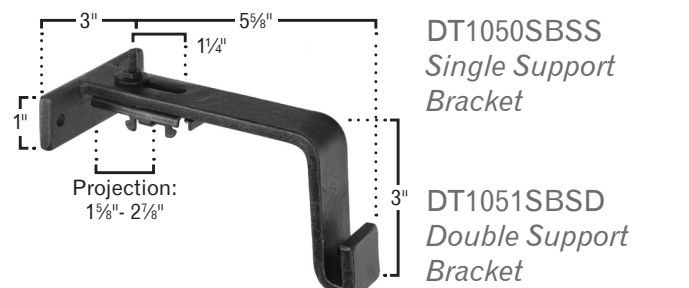
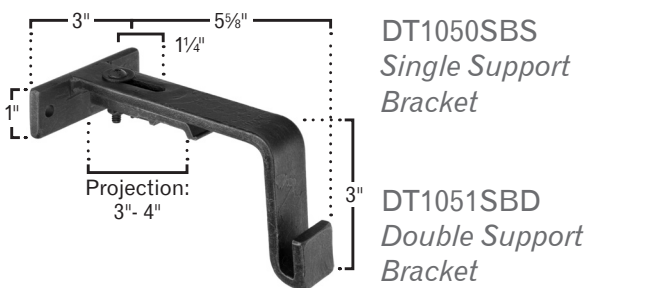
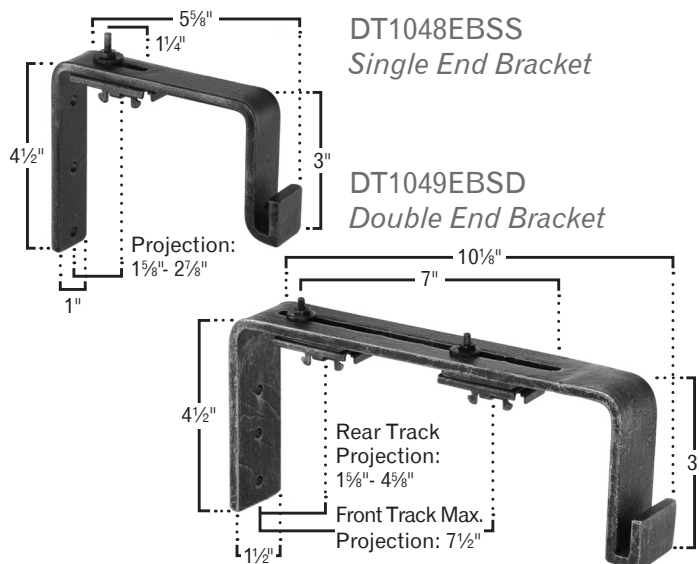
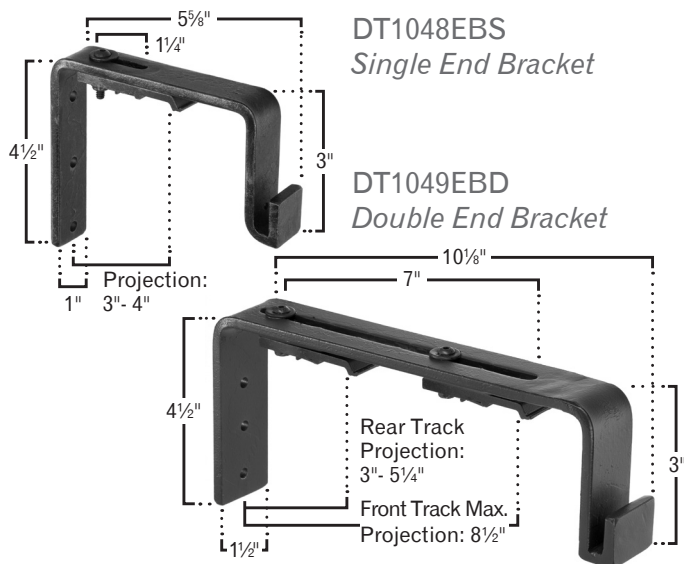
Deco Lite Accessories: Page 49 of Catalog

Accessories & Charges	Product #	Unit	Price	Additional Information
Additional Traversing Glides	TRGL	EACH	3	Specify Quantity in Order / Standard is Four per Foot
Additional Traversing Cord (white)	TRCR	FOOT	2	Specify Length in Order / Standard is Eight Feet
Strike Off Charge (net)	IASTRIKE	EACH	65	One time strike off charge for custom finish
Additional Manual Support Brackets	Product #	Unit	Price	Additional Information
Single End Bracket	DT1048EBS	EACH	38	3" to 4" Projection / Back Plate: H 4 1/2" W 1"
Double End Bracket	DT1049EBD	EACH	45	Back Plate: H 4 1/2" W 1 1/2"
Single Support Bracket	DT1050SBS	EACH	38	3" to 4" Projection / Back Plate: H 1" W 3"
Double Support Bracket	DT1051SBD	EACH	45	3 1/4"- 5 1/2" Available Space Between Tracks
Single Ceiling Bracket	DT1052CBS	EACH	43	3" to 4" Projection / Ceiling Plate: H 1" W 3"
Double Ceiling Bracket	DT1053CBD	EACH	50	3 1/4"- 5 1/2" Available Space Between Tracks
Additional Motorized Support Brackets	Product #	Unit	Price	Additional Information
Single End Bracket	DT1048EBSS	EACH	38	1 5/8" to 2 7/8" Projection / Back Plate: H 4 1/2" W 1"
Double End Bracket	DT1049EBSD	EACH	45	Back Plate: H 4 1/2" W 1 1/2"
Single Support Bracket	DT1050SBSS	EACH	38	1 5/8" to 2 7/8" Projection / Back Plate: H 1" W 3"
Double Support Bracket	DT1051SBSD	EACH	45	3"- 6" Available Space Between Tracks
Single Ceiling Bracket	DT1052CBSS	EACH	43	1 5/8" to 2 7/8" Projection / Ceiling Plate: H 1" W 3"
Double Ceiling Bracket	DT1053CBSD	EACH	50	3"- 6" Available Space Between Tracks

* Center open rods come with two master carriers, while one-way draw rods come with one.

** Cord drawn traversing sets include cords and cord pulleys. Batons for baton drawn sets are sold separately.

Bracket Guide: Deco Lite Manual and Motorized Traversing

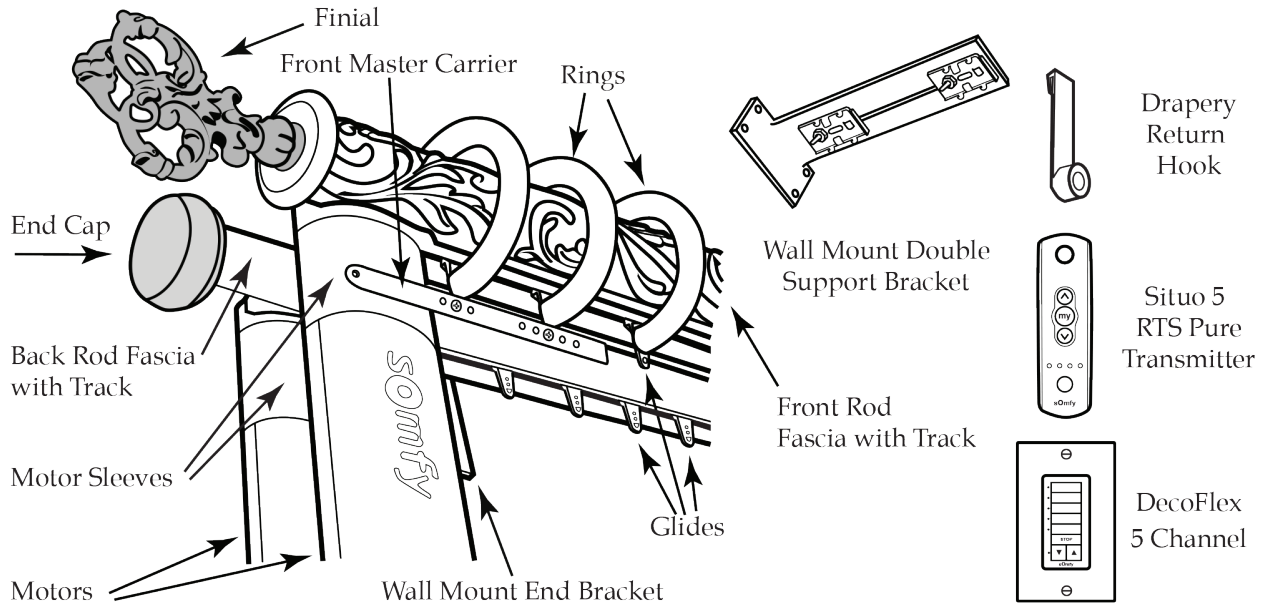


Space between double manual tracks is 3 1/4" - 5 1/2".

Space between double motorized tracks is 3" - 6".

TRAVERSING WITH SOMFY

CHOOSE. TOUCH. RELAX.™



Traversing Systems with Somfy

Designed to meet all of the custom needs of interior designers.

- Single or Double Systems in Iron, Italian, Wood, Deco Lite or Tuscany Rod Fascia.
- Up to 30 Feet in Length.
- Heavy Duty Track and Accessories Automatically Included.
- End and Support Brackets in Iron Customized for Heavy Duty Applications.
- Wall Mount or Ceiling Mount Brackets with Expandable Projections.
- Front Track with or without Rings.
- Back Rod Fascia Automatically Includes End Caps (Finished).
- Iron, Italian, and Tuscany Rods May be Bent or Curved (Excludes Square Fascia Styles or Systems with Rings).
- Five Finishes for Traversing Tracks: Antique Bronze, Black, Gold, Silver, & White.
- Pinch Pleat or RippleFold.
- Track Color Coordinating Pinch Pleat Glides for Systems with Rings. Pinch Pleat Without Rings and RippleFold Glides are White.
- Miter Return Available.
- Heavy Duty Packaging.
- Shipped in 15 Business Days.

Iron Rod Fascia Styles:

- 36 Iron Art™ Finishes and 13 Italian Collection Finishes for Rod Fascia, Finials, Rings, Brackets & End Caps (Back Rod Fascia Only).
- Rod Fascias: Round, Square, Fluted, and Round Hammered.
- Custom Finishes Available on Iron Fascia.
- Choose Finials From: Iron - Iron Finials, Bohemia Collection, and Village Forge Collection. Italian - Italian Finial & Bohemia Collection.
- Back Rod in Double Traverse System Comes with Iron Fascia 1 1/4" Diameter to Match Front Rod Style.

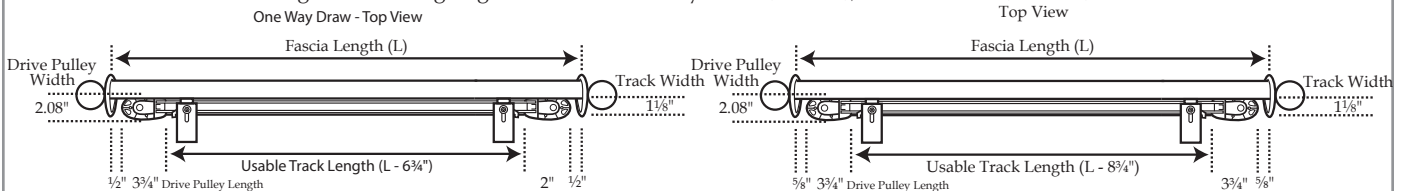
Wood Rod Fascia Styles:

- 11 Wood Art™ Finishes for Rod Fascia, Finials, Rings, Brackets & End Caps (Back Rod Fascia Only).
- Rod Fascias and Diameters: Round: 2", 2 1/4", and 3" Fluted: 2", 2 1/4", and 3"
- Custom Finishes Available on Wood Fascia.
- Select Finials from New York Wood, Wood Craft, Rosina, Bohemia, and Iron Collections.
- Back Rod in Double Traverse System Comes with Wood Fascia 1 3/8" Diameter to Match Front Rod Style.

Tuscany Traversing Fascia Styles:

- 36 Iron Art™ Finishes for Rod Fascia, Finials, Rings, Brackets & End Caps (Back Rod Fascia Only).
- Rod Fascias: 11 Tuscany Designs.
- Custom Finishes Available on Tuscany Fascia.
- Choose Finials From: Iron Finials, Bohemia Collection, and Village Forge Collection.
- Back Rod in Double Traverse System Comes with Iron Fascia 1 1/4" Diameter to Match Front Rod Style.

MEASUREMENT GUIDELINES • Please specify fascia length when ordering. • Usable Track length will be shorter than fascia length. For usable track length when using rings deduct: For one way draw: (L - 7 1/2"), Center draw: (L - 9 1/2")



SOMFY MOTORIZATION SYSTEM

- Somfy Glydea ULTRA 35 Zigbee and Glydea ULTRA 60 Zigbee Motors available upon request at same price as RTS motors.
- Somfy Ysia 1 channel Zigbee, Ysia 5 channel Zigbee remotes and Smart Plug Zigbee available upon request.
- Track, Fascia, Glides/Rings Come Assembled; Made-to-Measure.
- Round Iron Rods May be Bent or Curved. Tuscany Rods May be Curved.
- Smooth & Quiet Operation (<44dBA).
- Radio Frequency (RTS), Dry Contact (DCT), Infrared, RS485 Digital Technology, Z-Wave, and ZigBee Control Options.
- Manual Override System Allows Drapery to be Drawn During Power Outages.
- Touch Motion with Two Sensitivity Settings Allows the User to Activate the Motorized Drapery Simply by Pulling on the Fabric.
- "My Function" Allows User to Set a Preferred Drapery Openness Position for Easy Access.
- Two Drapery Heading Types: Pinch Pleat or Ripplefold.
- Three Draw Options: Left Stack, Right Stack, Center Open.

IRISMO 35 MINI DC:	IRISMO 45 WIREFREE:	GLYDEA 35E AND 60E:
<ul style="list-style-type: none"> • 24V DC Low Voltage Power Supply with 13.2 Ft. Cord. • Traverses up to 77 Lbs. 	<ul style="list-style-type: none"> • Rechargeable 26.5V Lithium Ion Battery (Charger Sold Separately). • Traverses up to 99 Lbs. 	<ul style="list-style-type: none"> • Glydea Motor Plugs Directly into Standard 110 V AC Duplex Wall Outlet (Comes with 10 Ft. Plug). • 35e Traverses up to 77 Lbs. • 60e Traverses up to 132 Lbs.

See pages 68-69 for more specifications.

Traversing with Somfy: Ordering Information

1. Sets automatically include: rod fascia, heavy duty tracks, Somfy motors, motor sleeves, glides, master carriers*, drapery return hooks, two end brackets, support brackets as needed per length, and back rod end caps (for double rods only).
2. Items sold separately: finials, rings (front rod with pinch pleat glides only), and control accessories.
3. Rod set finishes: rods, brackets, rings, motor sleeves, pulley caps, and master carriers are finished as per finish specified in order.
4. Track finishes are available in Antique Bronze, Black, Gold, Silver, and White.
5. Glides for systems with rings using pinch pleats coordinate with the five track finishes. Pinch pleats not using rings and RippleFold glides are only available in White. Pinch pleat glides are supplied four per foot.
6. Please state fullness of 80%, 100%, or 120% when ordering RippleFold.
7. Traversing rods come with or without rings on the front rods with pinch pleat glides only. Back rods and RippleFold glides do not accommodate rings. Two stationary rings are placed on each end for center open systems, one ring is placed on the stack side for one-way draw systems.
8. When ordering, specify motor placement (left or right), and draw (left stack, right stack, or center open).
9. Please specify wall or ceiling mount end brackets when ordering. Due to limited clearance, we recommend using end caps as finials with ceiling mount brackets. Please contact customer service for a list of other finials which may be used.
10. Somfy traversing set pricing is rounded up to the next foot.
11. Maximum fabric weight for a 16' track is 62 lbs. for the heavy duty traverse track (automatically provided in each set).
12. All Somfy traversing tracks come assembled and shipped in one piece.
 - **All heavy duty tracks, iron rods, and wood poles (all diameters) are available in 16' (192") lengths without a splice, and up to 30' (360") with a splice. Please contact customer service for the availability of 19' (228") lengths without a splice.**
 - Italian Collection iron rods are available in 10' (108") lengths without a splice, and up to 20' (216") with a splice.
13. The maximum width for a FedEx/UPS shipment is 8' 6" (102") (One-way draw is not spliced for FedEx/UPS). All sets over this must be shipped by common carrier (truck line). Please note residential truck deliveries are restricted to 24' (288").
14. When ordering with miter returns, please add Product #IT307MR, #IC307MR, or #WT307MR. The width entered should be the track measurement. Returns are available as 3½", 4½", 6", and 7".
15. Iron, Italian, and Tuscany Traversing rods can be curved, and Iron and Italian traversing rods can be bent (excludes square fascia styles and systems with rings). Please see bend and curve charges on page 65.
16. Custom finish: 40% additional charge. Please add a one time strike off charge (Product #IASTRIKE).

* Center open rods come with two master carriers, while one-way draw rods come with one. Front rod carriers each hold two rings.

Single Traversing with Somfy Sets: Pages 52-55 of Catalog

(Add Finials, Rings, Controls, and Miscellaneous Charges Where Applicable)

Style	Set #	4 Feet	5 Feet	6 Feet	7 Feet	8 Feet	9 Feet	10 Feet	Additional Foot
Track Only	ST60E-S	2021	2093	2156	2220	2282	2354	2417	66
Tuscany Traversing (11 Designs)	TTST-S	3030	3343	3622	3901	4180	4493	4773	292
Deco Lite Traversing (11 Designs)	DTST-S	2887	3255	3541	3825	4167	4480	4766	351
Designers' Choice: Iron									
Round 1½" Dia.	STRR-S-112	2614	2887	3128	3366	3607	3879	4120	251
Round 2" Dia.	STRR-S-200	2622	2902	3149	3398	3646	3926	4174	260
Round 3" Dia.	STRR-S-300	2794	3089	3351	3615	3879	4174	4437	274
Round Hammered 1½" Diameter	STRH-S-112	2762	3049	3306	3561	3817	4103	4360	267
Round Hammered 2" Diameter	STRH-S-200	2770	3064	3328	3592	3857	4150	4415	274
Round Hammered 3" Diameter	STRH-S-300	2926	3236	3514	3794	4073	4384	4663	289
Square 1½" Dia.	STSQ-S-112	2809	3089	3337	3585	3833	4112	4360	271
Square 2" Dia.	STSQ-S-200	2824	3110	3366	3625	3879	4167	4423	280
Fluted 1½" Dia.	STFL-S-112	2887	3181	3444	3709	3973	4267	4532	287
Fluted 2" Dia.	STFL-S-200	2902	3204	3476	3748	4019	4320	4593	295
Designers' Choice: Italian									
Designers' Choice: Italian (Finish Group I, J, K)									
Round 1½" Dia.	STIR-S-112	3002	3339	3631	3922	4215	4550	4842	307
Round 2" Dia.	STIR-S-200	3018	3361	3662	3962	4263	4605	4905	314
Square 1½" Dia.	STIQ-S-112	3034	3377	3678	3979	4278	4620	4921	314
Square 2" Dia.	STIQ-S-200	3049	3401	3709	4018	4325	4677	4985	322
Designers' Choice: Italian (Finish Group L)									
Round 1½" Dia.	STIR-S-112	3302	3672	3994	4314	4635	5005	5327	338
Round 2" Dia.	STIR-S-200	3321	3697	4028	4357	4689	5067	5396	345
Square 1½" Dia.	STIQ-S-112	3339	3716	4047	4377	4706	5083	5414	345
Square 2" Dia.	STIQ-S-200	3355	3741	4080	4421	4758	5144	5482	354
Designers' Choice: Wood									
Smooth 2" Dia.	STSM-S-200	2556	2830	3073	3315	3558	3831	4074	253
Smooth 2¼" Dia.	STSM-S-214	2556	2830	3073	3315	3558	3831	4074	253
Smooth 3" Dia.	STSM-S-300	2603	2890	3148	3406	3663	3952	4211	268
Fluted 2" Dia.	STWF-S-200	2556	2830	3073	3315	3558	3831	4074	253
Fluted 2¼" Dia.	STWF-S-214	2556	2830	3073	3315	3558	3831	4074	253
Fluted 3" Dia.	STWF-S-300	2603	2890	3148	3406	3663	3952	4211	268
Number of Brackets Included:		3	4	4	4	5	5	5	See Note*

*Additional bracket will be included at 11', 14', 17', 20', 23', 26', and 29'. See pages 66-67 for bracket specifications.

Set prices shown include the Glydea 60e RTS or DCT heavy duty motor.
 For an Irismo 45 WireFree motor plus charger, add \$95 to the set price.
 For Irismo 35 Mini DC or Glydea 35e motors, deduct \$50 from the set price.
 If supplying a motor, deduct \$500 from the set price.
 Please note your motor selection or if you are supplying a motor on your order.

Double Traversing with Somfy Sets: Pages 52-55 of Catalog

(Add Finials, Rings, Controls, and Miscellaneous Charges Where Applicable)

Style	Set #	4 Feet	5 Feet	6 Feet	7 Feet	8 Feet	9 Feet	10 Feet	Additional Foot
Track Only	ST60E-D	4044	4184	4311	4438	4565	4707	4833	132
Tuscany Traversing (11 Designs)	TTST-D	5805	6231	6611	6993	7372	7937	8181	396
Deco Lite Traversing (11 Designs)	DTST-D	6112	6647	7136	7570	8059	8677	8919	505
Designers' Choice: Iron									
Round 1½" Dia.	STRR-D-112	5292	5674	6017	6357	6698	7083	7423	354
Round 2" Dia.	STRR-D-200	5306	5698	6048	6397	6745	7136	7486	364
Round 3" Dia.	STRR-D-300	5337	5736	6094	6450	6807	7206	7563	370
Round Hammered 1½" Diameter	STRH-D-112	5322	5713	6063	6411	6761	7153	7502	364
Round Hammered 2" Diameter	STRH-D-200	5337	5736	6094	6450	6807	7206	7563	370
Round Hammered 3" Diameter	STRH-D-300	5369	5775	6140	6505	6869	7276	7640	379
Square 1½" Dia.	STSQ-D-112	5408	5783	6117	6450	6784	7159	7493	348
Square 2" Dia.	STSQ-D-200	5423	5806	6148	6489	6831	7213	7555	354
Fluted 1½" Dia.	STFL-D-112	5532	5931	6287	6644	7002	7401	7757	370
Fluted 2" Dia.	STFL-D-200	5548	5953	6318	6683	7048	7454	7819	379
Designers' Choice: Italian									
Designers' Choice: Italian (Finish Group I, J, K)									
Round 1½" Dia.	STIR-D-112	5964	6453	6890	7327	7766	8253	8690	455
Round 2" Dia.	STIR-D-200	5981	6477	6923	7369	7814	8312	8757	462
Square 1½" Dia.	STIQ-D-112	5973	6469	6915	7361	7807	8303	8748	462
Square 2" Dia.	STIQ-D-200	5990	6492	6948	7403	7856	8360	8815	472
Designers' Choice: Italian (Finish Group L)									
Round 1½" Dia.	STIR-D-112	6560	7097	7579	8061	8543	9077	9560	501
Round 2" Dia.	STIR-D-200	6578	7125	7615	8106	8597	9143	9634	508
Square 1½" Dia.	STIQ-D-112	6571	7116	7605	8097	8587	9132	9623	508
Square 2" Dia.	STIQ-D-200	6589	7141	7643	8142	8643	9196	9695	518
Designers' Choice: Wood									
Smooth 2" Dia.	STSM-D-200	5159	5526	5851	6179	6504	6871	7197	339
Smooth 2¼" Dia.	STSM-D-214	5159	5526	5851	6179	6504	6871	7197	339
Smooth 3" Dia.	STSM-D-300	5188	5571	5913	6254	6596	6978	7319	354
Fluted 2" Dia.	STWF-D-200	5159	5526	5851	6179	6504	6871	7197	339
Fluted 2¼" Dia.	STWF-D-214	5159	5526	5851	6179	6504	6871	7197	339
Fluted 3" Dia.	STWF-D-300	5188	5571	5913	6254	6596	6978	7319	354
Number of Brackets Included:		3	4	4	4	5	5	5	See Note*

*Additional bracket will be included at 11', 14', 17', 20', 23', 26', and 29'. See pages 66-67 for bracket specifications.

Set prices shown include Glydea 60e RTS or DCT heavy duty motors.
 For Irismo 45 WireFree motors plus chargers, add \$190 to the set price.
 For Irismo 35 Mini DC or Glydea 35e motors, deduct \$100 from the set price.
 If supplying motors, deduct \$1000 from the set price.
 Please note your motor selection or if you are supplying motors on your order.

Stationary Rod Front And Trav Fascia In Back

Includes 2 End Brackets and 2 End Caps for Back Traversing Fascia. Fascia will be 1¼"

Style	Set #	4 Feet	5 Feet	6 Feet	7 Feet	8 Feet	9 Feet	10 Feet	Additional Foot
Designers' Choice: Iron									
Round 1¼" Dia.	SSTA-ITRR-114	2687	2959	3199	3440	3680	3952	4194	279
Round 1½" Dia.	SSTA-ITRR-112	2691	2963	3204	3443	3684	3956	4197	282
Round 2" Dia.	SSTA-ITRR-200	2708	2986	3234	3482	3730	4010	4258	297
Round 3" Dia.	SSTA-ITRR-300	2889	3183	3446	3712	3976	4269	4533	323
Round Hammered 1¼" Diameter	SSTA-ITRH-114	2847	3135	3391	3647	3903	4190	4446	306
Round Hammered 1½" Diameter	SSTA-ITRH-112	2852	3139	3396	3650	3908	4195	4450	311
Round Hammered 2" Diameter	SSTA-ITRH-200	2869	3162	3426	3690	3953	4248	4513	326
Round Hammered 3" Diameter	SSTA-ITRH-300	3035	3345	3625	3903	4183	4493	4771	353
Square 1¼" Dia.	SSTA-ITSQ-114	2882	3161	3410	3658	3906	4184	4432	297
Square 1½" Dia.	SSTA-ITSQ-112	2886	3164	3413	3661	4143	4188	4436	301
Square 2" Dia.	SSTA-ITSQ-200	2907	3195	3452	3708	3964	4251	4507	318
Designers' Choice: Italian									
Designers' Choice: Italian (Finish Group I, J, K)									
Round 1¼" Dia.	SSTA-ICRR-114	3120	3455	3747	4039	4332	4666	4959	367
Round 1½" Dia.	SSTA-ICRR-112	3154	3489	3782	4073	4366	4701	4993	386
Round 2" Dia.	SSTA-ICRR-200	3181	3524	3826	4125	4425	4769	5069	398
Square 1¼" Dia.	SSTA-ICSQ-114	3150	3494	3795	4094	4395	4738	5038	375
Square 1½" Dia.	SSTA-ICSQ-112	3187	3529	3829	4128	4430	4772	5073	394
Square 2" Dia.	SSTA-ICSQ-200	3213	3564	3872	4182	4489	4840	5148	407
Designers' Choice: Italian (Finish Group L)									
Round 1¼" Dia.	SSTA-ICRR-114	3432	3801	4122	4443	4765	5133	5454	404
Round 1½" Dia.	SSTA-ICRR-112	3471	3837	4159	4481	4803	5171	5493	425
Round 2" Dia.	SSTA-ICRR-200	3500	3878	4208	4512	4869	5245	5575	439
Square 1¼" Dia.	SSTA-ICSQ-114	3466	3845	4173	4505	4835	5212	5543	413
Square 1½" Dia.	SSTA-ICSQ-112	3506	3881	4212	4542	4873	5250	5580	432
Square 2" Dia.	SSTA-ICSQ-200	3535	3920	4259	4599	4939	5325	5663	448
Designers' Choice: Wood									
Smooth 2" Dia.	SSTA-STSM-200	2873	3190	3476	3763	4050	4368	4653	297
Smooth 2¼" Dia.	SSTA-STSM-214	2873	3190	3476	3763	4050	4368	4653	300
Smooth 3" Dia.	SSTA-STSM-300	3132	3517	3874	4228	4582	4969	5323	366
Fluted 2" Dia.	SSTA-STWF-200	2873	3190	3476	3763	4050	4368	4653	297
Fluted 2¼" Dia.	SSTA-STWF-214	2873	3190	3476	3763	4050	4368	4653	300
Fluted 3" Dia.	SSTA-STWF-300	3132	3517	3874	4228	4582	4969	5323	366
Number of Brackets Included:		2	3	3	3	4	4	4	See Note*

*Additional brackets will be included at 11', 14', 17', 20', 23', 26', and 29'. See page 66-67 for bracket specifications.

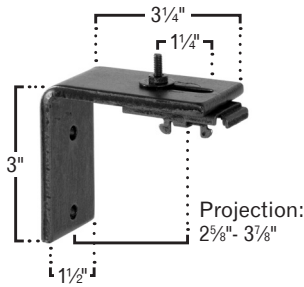
Traversing with Somfy Accessories: Pages 55-57 of Catalog

Accessories & Charges	Product #	Unit	Price	Additional Information							
Additional Traversing Glides	TRGL	EACH	3	Specify Quantity in Order / Standard is Four per Foot							
Strike Off Charge (net)	IASTRIKE	EACH	65	One time strike off charge for custom finish							
Miter with Return											
Designers' Choice: Iron	IT307MR	EACH	107	Available in 3½", 4½", 6", and 7"							
Designers' Choice: Italian	IC307MR	EACH	113	Available in 3½", 4½", 6", and 7"							
Designers' Choice: Wood	WT307MR	EACH	88	Available in 3½", 4½", 6", and 7"							
"C" Ring Styles (Front Rod Only)	Product #	Unit	1½"			2"			2" & 2¼"	3"	
			Inner Diameter			Inner Diameter			Inner Diameter	Inner Diameter	
			Iron	Italian		Iron	Italian		Wood	Iron	Wood
				I, J, K	L		I, J, K	L			
Round Iron "C" Rings	IT/IC350STR	EACH	19	25	30	21	27	33	N/A	24	N/A
Square Iron "C" Rings	IT/IC352STR	EACH	19	25	30	21	27	33	N/A	N/A	N/A
Round Hammered Iron "C" Rings	IT356STR	EACH	22	N/A	N/A	22	N/A	N/A	N/A	24	N/A
Smooth Wood "C" Rings	WT5047STR	EACH	N/A	N/A	N/A	N/A	N/A	N/A	24	N/A	29
Fluted Wood "C" Rings	WT5049STR	EACH	N/A	N/A	N/A	N/A	N/A	N/A	24	N/A	29
Bend and Curve Charges	Product #	Unit	Price	Additional Information							
Single Track Bend	ITBENDCRS	EACH	63	Bend Single Traversing Set - Fascia with Traversing Track							
Double Track Bend	ITBENDCRD	EACH	126	Bend Double Traversing Set - Fascias with Traversing Tracks							
Single Track Curve	ITBENDCVS	FOOT	44	Curve Single Traversing Set - Fascia with Traversing Track							
Double Track Curve	ITBENDCVD	FOOT	76	Curve Double Traversing Set - Fascias with Traversing Tracks							
Control Accessories	Product #	Unit	Price	Additional Information							
DecoFlex Table Top Acc., Silver	STTABLE-SL	EACH	90	Wireless Switch Accessory - Silver							
DecoFlex Table Top Acc., Black	STTABLE-BL	EACH	90	Wireless Switch Accessory - Black							
Cronis Comfort RTS Wireless Timer	CROWT	EACH	554	Single Channel 7 Day Programmable Timer							
Sunis Indoor Wireless RTS	SUNIS-SUN	EACH	607	Sun Sensor							
Thermosunis Indoor Wireless RTS	SUNIS-TMP	EACH	699	Sun and Temperature Sensor							
Situo 1 Chronis RTS	STRP1-SS	EACH	591	Single Channel Zone Control & Programmable Timer - Silver Star							
Situo 1 RTS Pure Transmitter	STRP1-PR	EACH	169	Single Channel Remote Control - Pure							
Situo 1 RTS Silver Transmitter	STRP1-SL	EACH	264	Single Channel Remote Control - Silver							
Situo 1 RTS Lounge Transmitter	STRP1-LO	EACH	264	Single Channel Remote Control - Lounge							
Situo 5 RTS Pure Transmitter	STRP5-PR	EACH	219	Multi-Channel Remote Control - Pure							
Situo 5 RTS Silver Transmitter	STRP5-SL	EACH	321	Multi-Channel Remote Control - Silver							
Situo 5 RTS Lounge Transmitter	STRP5-LO	EACH	321	Multi-Channel Remote Control - Lounge							
DecoFlex 1 Channel, White	STSW1-WH	EACH	393	Single Channel Wireless Switch - White							
DecoFlex 1 Channel, Ivory	STSW1-IV	EACH	393	Single Channel Wireless Switch - Ivory							
DecoFlex 1 Channel, Black	STSW1-BL	EACH	454	Single Channel Wireless Switch - Black							
DecoFlex 5 Channel, White	STSW5-WH	EACH	413	Multi-Channel Wireless Switch - White							
DecoFlex 5 Channel, Ivory	STSW5-IV	EACH	413	Multi-Channel Wireless Switch - Ivory							
DecoFlex 5 Channel, Black	STSW5-BL	EACH	475	Multi-Channel Wireless Switch - Black							
TaHoma® switch	SMTRTA-HOMA	EACH	533	Control Somfy motors through a smart phone or tablet. Consists of a simple plug in device and free app							

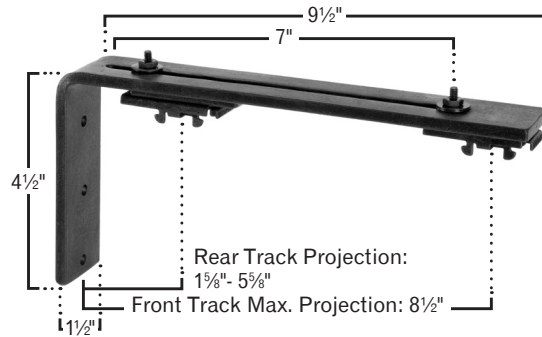
Motorized Traversing Brackets: Page 57 of Catalog

Space between double traversing tracks is 2 7/8" - 6 3/4". See page 59 for Deco Lite Traversing brackets.

Single End Bracket



Double End Bracket



Iron/Wood
IT1048EBSS

Italian
IC1048EBSS
Finish Group I,J,K Finish Group L

\$28

\$47

\$56

Iron/Wood
IT1049EBSD

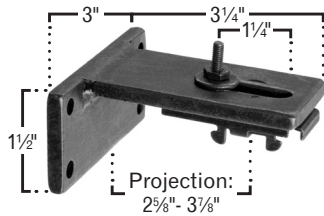
Italian
IC1049EBSD
Finish Group I,J,K Finish Group L

\$38

\$52

\$63

Single Support Bracket



Double Support Bracket



Iron/Wood
IT1050SBSS

Italian
IC1050SBSS
Finish Group I,J,K Finish Group L

\$28

\$47

\$56

Iron/Wood
IT1051BSD

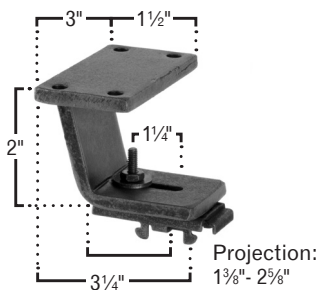
Italian
IC1051BSD
Finish Group I,J,K Finish Group L

\$38

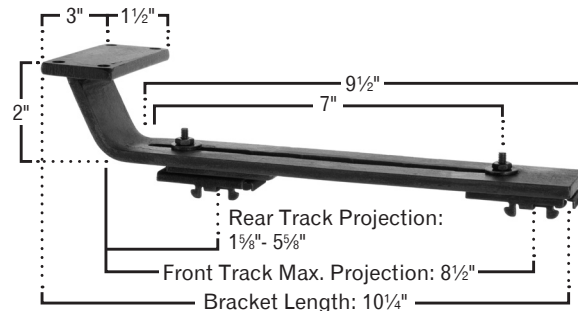
\$52

\$63

Single Ceiling Bracket (for systems without rings)



Double Ceiling Bracket (for systems without rings)



Iron/Wood
IT1052CBSS-2

Italian
IC1052CBSS-2
Finish Group I,J,K Finish Group L

\$28

\$48

\$57

Iron/Wood
IT1053CBSD-2

Italian
IC1053CBSD-2
Finish Group I,J,K Finish Group L

\$39

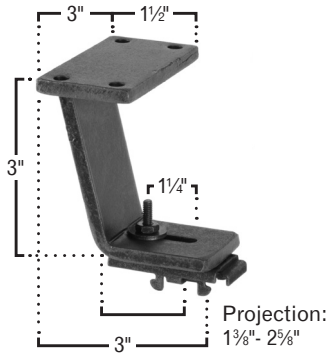
\$52

\$63

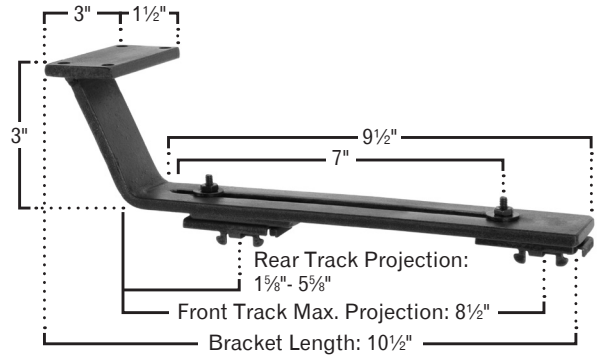
Motorized Traversing Brackets: Page 57 of Catalog

Space between double traversing tracks is 2⁷/₈" - 6³/₄". See page 59 for Deco Lite Traversing brackets.

Single Ceiling Bracket (for systems with rings)

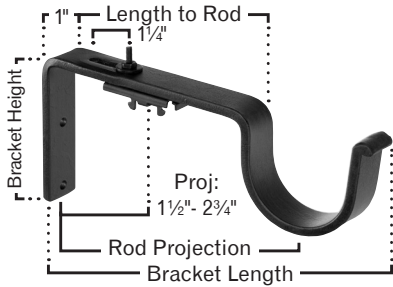


Double Ceiling Bracket (for systems with rings)

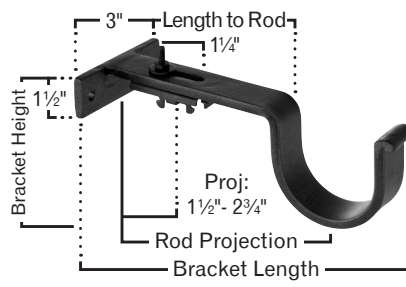


Iron/Wood IT1052CBSS-3	Italian IC1052CBSS-3	Iron/Wood IT1053CBSD-3	Italian IC1053CBSD-3
Finish Group I,J,K		Finish Group L	
\$28	\$48	\$39	\$52
		Finish Group L	
		\$57	\$63

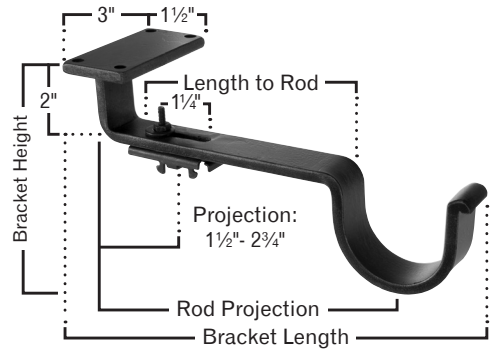
Front Stationary / Rear Traversing End Bracket



Front Stationary / Rear Traversing Support Bracket



Front Stationary / Rear Traversing Ceiling Bracket



For 1 ¹ / ₄ " Rods 8 ¹ / ₄ "L x 4 ¹ / ₂ "H LENGTH TO POLE: 6 ³ / ₈ " POLE PROJECTION: 7"	For 1 ³ / ₈ " Poles 8 ¹ / ₄ "L x 4 ¹ / ₂ "H LENGTH TO POLE: 6 ³ / ₈ " POLE PROJECTION: 7"	For 1 ¹ / ₄ " Rods 8 ¹ / ₄ "L x 1 ¹ / ₂ "H LENGTH TO POLE: 6 ³ / ₈ " POLE PROJECTION: 7"	For 1 ³ / ₈ " Poles 8 ¹ / ₄ "L x 1 ³ / ₄ "H LENGTH TO POLE: 6 ³ / ₈ " POLE PROJECTION: 7"	For 1 ¹ / ₄ " Rods 8 ¹ / ₄ "L x 3 ¹ / ₄ "H LENGTH TO POLE: 6 ³ / ₈ " POLE PROJECTION: 7"	For 1 ³ / ₈ " Poles 8 ¹ / ₄ "L x 3 ³ / ₈ "H LENGTH TO POLE: 6 ³ / ₈ " POLE PROJECTION: 7"
For 1 ¹ / ₂ " Rods 8 ³ / ₈ "L x 4 ¹ / ₂ "H LENGTH TO POLE: 6 ¹ / ₄ " POLE PROJECTION: 7"	For 2" Rods 8 ⁵ / ₈ "L x 4 ¹ / ₂ "H LENGTH TO POLE: 6" POLE PROJECTION: 7 ¹ / ₈ "	For 1 ¹ / ₂ " Rods 8 ³ / ₈ "L x 1 ³ / ₄ "H LENGTH TO POLE: 6 ¹ / ₄ " POLE PROJECTION: 7"	For 2" Rods 8 ⁵ / ₈ "L x 2 ¹ / ₄ "H LENGTH TO POLE: 6" POLE PROJECTION: 7 ¹ / ₈ "	For 1 ¹ / ₂ " Rods 8 ³ / ₈ "L x 3 ¹ / ₂ "H LENGTH TO POLE: 6 ¹ / ₄ " POLE PROJECTION: 7"	For 2" Rods 8 ⁵ / ₈ "L x 4" LENGTH TO POLE: 6" POLE PROJECTION: 7"
For 2 ¹ / ₄ " Poles 8 ³ / ₄ "L x 4 ¹ / ₂ "H LENGTH TO POLE: 5 ⁷ / ₈ " POLE PROJECTION: 7 ¹ / ₈ "	For 3" Rods 10 ¹ / ₈ "L x 5"H LENGTH TO POLE: 6 ¹ / ₂ " POLE PROJECTION: 8 ¹ / ₄ "	For 2 ¹ / ₄ " Poles 8 ³ / ₄ "L x 2 ¹ / ₂ "H LENGTH TO POLE: 5 ⁷ / ₈ " POLE PROJECTION: 7 ¹ / ₈ "	For 3" Rods 10 ¹ / ₈ "L x 3 ³ / ₈ "H LENGTH TO POLE: 6 ¹ / ₂ " POLE PROJECTION: 8 ¹ / ₄ "	For 2 ¹ / ₄ " Poles 8 ³ / ₄ "L x 4 ¹ / ₂ "H LENGTH TO POLE: 5 ⁷ / ₈ " POLE PROJECTION: 7"	For 3" Rods 10 ¹ / ₈ "L x 5"H LENGTH TO POLE: 6 ¹ / ₂ " POLE PROJECTION: 8"

Iron/Wood IT1054EBS	Italian IC1054EBS	Iron/Wood IT1055SBS	Italian IC1055SBS	Iron/Wood IT1056CBS	Italian IC1056CBS
Finish Group I,J,K		Finish Group L		Finish Group I,J,K	
\$52	\$69	\$52	\$69	\$54	\$72
				Finish Group L	
		\$83	\$83	\$87	

Front Stationary / Rear Traversing Brackets Accommodate 1¹/₄" Diameter Iron or 1³/₈" Diameter Wood Traversing Fascias.

Traversing with Somfy - Motors: Page 56

Motor Name	Irismo 35 Mini DC RTS	Irismo 35 Mini DC DCT	Irismo 45 WireFree RTS*
Part #	1002952	1002951	1002353
Orion Item #	SMTR35MRTS	SMTR35MDCT	SMTR45WRTS
Price	\$1169	\$1169	\$1169
MOTOR UNIT MAIN FEATURES			
Soft Start / Stop	Yes	Yes	Yes
Manual Operation	Yes	Yes	Yes
Automatic Limits on End Stop	Yes	Yes	Yes
Intermediate Position	Yes	Yes	Yes
Touch Motion with 2 Sensitivity Settings	Yes	Yes	Yes
Adjustable Limits	Yes	Yes	Yes
Speed Control & Adjustment	Yes	Yes	Yes
CONTROL OPTIONS			
Dry Contact Indiv., Group & Master Control	Yes	Yes	No
Radio Technology Somfy RTS	Yes	No	Yes
Infrared	Yes	Using Universal RTS Interface (URTSII)	Using Universal RTS Interface (URTSII)
RS485 Digital Technology	Using Universal RTS Interface (URTSII)	Using Universal RTS Interface (URTSII)	Using Universal RTS Interface (URTSII)
Z-Wave	Future Option	Future Option	No
ZigBee	Future Option	Future Option	No
Tandem Alternative	Yes	Yes	Yes
Sun Control	Yes	Yes	Yes
Timer Control	Yes	Yes	Yes
INSTALLATION AND SETTING FEATURES			
Settings with Buttons on Motor Unit	Yes	No	No
Setting with Normally Open Dry Contact	Yes	Yes	No
LED Indicators	Yes	Yes	Yes
Motor Unit Direction Change	Yes	Yes	Yes
Factory Reset	Yes	Yes	Yes
Inverse Mounting (Top Mount)	Yes	Yes	Yes
TRACKS/DRAPERY TYPES			
Left Stack, Right Stack, Center Open	Yes	Yes	Yes
Asymmetric	Yes	Yes	Yes
Multiple	Yes	Yes	Yes
Pinch Pleat / RippleFold	Yes	Yes	Yes
MOTORIZED TRACK MAIN CHARACTERISTICS			
Power Supply	24V DC	24V DC	26.5V LI-ION Battery
Amperage	2A	2A	2950 mAh
Average Linear Speed (No Load)	87.5 RPM	87.5 RPM	87.5 RPM
Power Consumption	< 3 W	< 3 W	N/A
Power Cable	13.2 ft (4 m)	13.2 ft (4 m)	N/A
Control Connector Type	RJ12	RJ12	N/A
DCT Control Circuit Voltage	5V DC	5V DC	N/A
Motor Sound Level	<44 dBA	<44 dBA	<44 dBA
Certifications	CE	CE	c TUV us, CE
Minimum Bending Radius	11.8 in (30 cm)	11.8 in (30 cm)	11.8 in (30 cm)
Minimum Curving Radius	118 in (300 cm)	118 in (300 cm)	118 in (300 cm)
Width	3.66 in (93 mm)	3.66 in (93 mm)	3.66 in (93 mm)
Height	8.27 in (210 mm)	8.27 in (210 mm)	12.1 in (308 mm)
Depth	2.08 in (53 mm)	2.08 in (53 mm)	2.08 in (53 mm)
Max Weight	77 lbs (35 kg)	77 lbs (35 kg)	99 lbs (45 kg)

45 WireFree Accessories	Part #	Orion Item #	Price	Notes
45 WireFree Charger	1002945	SMTR45WCHG	\$184	
45 WireFree Lithium Ion Battery	9019741	SMTR45WBAT	\$561	Extra Battery Height: 3.85", Width: 3.66", Depth: 2.08"

Italian Collection: Ordering Information

- The Italian Collection is available in Finish I: Brushed Nickel, Finish J: Polished Chrome, Finish K: Black Nickel, Oiled Bronze, Satin Copper and Satin Gold, and Finish L: Polished Nickel, Polished Black Chrome, Polished Brass, Antique Brass, Satin Brass, Polished Rose Gold and Satin Rose Gold for ¾", 1", and 1¼" Round or Square Hollow Rods only.
- Standard elbows are available at 45° and 90°. For other angles, please add #7041 as a custom angle charge.
- Rods can be spliced together to provide any length using a rod connector. Please add Product #300 to the order.
- Iron rods are available in 10' (120") lengths without a splice.** By default, we splice any iron rod over 8'10" (106") to save on shipping charges using FedEx/UPS. Rods not specified as one piece in the order will be spliced in the center, unless a splice location is otherwise noted. Anything over 8'10" (106") must be shipped by common carrier (truck line). Please note residential truck deliveries are restricted to 24' (288").

Italian Collection (Metal Plated Hardware): Pages 58-61 of Catalog

Product #	Unit	Italian Finishes				Additional Information
		I	J	K	L	
300	EACH	26	26	26	26	Connector for Spliced Rods
7001	EACH	68	81	88	97	Interior Fit Only: Length: 1¾" Height: 1¼" Not Available for Traversing
7002	EACH	58	70	76	85	Interior Fit Only: Diameter: 1½" Not Available for Traversing
7003	EACH	74	88	95	106	Interior Fit Only: Diameter: 2" Available for Traversing
7004	EACH	56	68	74	81	Interior Fit Only: Length: 2" Height: 1½" Not Available for Traversing
7005	EACH	62	74	80	88	Interior Fit Only: Length: 2" Height: 1⅝" Not Available for Traversing
7005L	EACH	85	103	110	122	Interior Fit Only: Length: 3" Height: 1¾" Available for Traversing
7006	EACH	65	77	84	94	Interior Fit Only: Length: 2" Height: 1" Not Available for Traversing
7006L	EACH	92	109	119	131	Interior Fit Only: Length: 3" Height: 1¾" Available for Traversing
7007V-S-RND/SQ	FOOT	83	97	106	118	Single Rod with Returns / Includes Vertical Plates / Maximum Length: 106" / Available in ¾", 1" and 1¼" Diameter. See measurement guidelines on page 34.
7007R-S-RND/SQ	FOOT	83	97	106	118	Single Rod with Returns / Includes Round Sockets / Maximum Length: 106" / Available in ¾", 1" and 1¼" Diameter. See measurement guidelines on page 34.
7007V-D-RND/SQ	FOOT	125	147	160	177	Double Rod with Returns / Includes Vertical Plates and Straight Rod in back / Maximum Length: 106" / Available in ¾", 1" and 1¼" Diameter. See measurement guidelines on page 34.
7007R-D-RND/SQ	FOOT	125	147	160	177	Double Rod with Returns / Includes Round Sockets and Straight Rod in back / Maximum Length: 106" / Available in ¾", 1" and 1¼" Diameter. See measurement guidelines on page 34.
7009-RND/SQ	EACH	37	45	50	55	Elbow / Specify Interior or Exterior Fit and Angle
7010-RND/SQ	EACH	10	11	12	13	Half Open Socket
7011-RND/SQ	EACH	10	11	12	13	Full Socket
7010-11-RND/SQ	PAIR	20	22	24	29	Pair of Half Open Socket and Full Socket; Round or Square
7012	EACH	13	15	17	19	Round Ring with Clip / Available with the following Interior Diameters: 1", 1¼", 1½", and 1¾"
7013	EACH	13	15	17	19	Round Ring / Available with the following Interior Diameters: 1", 1¼", 1½", and 1¾"
7014-RND/SQ	EACH	58	69	76	83	Bracket with 3" Projection
7014HD-RND/SQ	FOOT	62	72	77	87	Bracket Heavy Gauge with 3" Projection.
7014HP-RND/SQ	EACH	58	69	76	83	Bracket with 3" Projection and Horizontal Back Plate
7015-RND/SQ	EACH	63	75	81	89	Bracket with 6" Projection
7015HP-RND/SQ	EACH	63	75	81	89	Bracket with 6" Projection and Horizontal Back Plate
7016-RND/SQ	EACH	23	26	29	32	End Cap
7017	EACH	109	132	143	158	Corner Bracket / Only Available as Exterior Fit
7018	EACH	119	143	155	171	Movable Elbow / Interior Fit Only
7018-H	EACH	128	146	171	176	Movable Elbow Hinged/ Interior Fit Only

Italian Collection (Metal Plated Hardware): Pages 58-61 of Catalog (continued)

Product #	Unit	Italian Finishes				Additional Information
		I	J	K	L	
7019	FOOT	29	35	37	41	¾" Round Rod / Maximum Length for a Single Piece: 120"
7020	FOOT	39	47	51	56	1" Round Rod / Maximum Length for a Single Piece: 120"
7021	FOOT	29	35	37	41	¾" Square Rod / Maximum Length for a Single Piece: 120"
7022	FOOT	39	47	51	56	1" Square Rod / Maximum Length for a Single Piece: 120"
7023	FOOT	48	58	63	70	1¼" Round Rod / Maximum Length for a Single Piece: 120"
7024	FOOT	48	58	63	70	1¼" Square Rod / Maximum Length for a Single Piece: 120"
7025	FOOT	58	68	73	80	1½" Round Hollow Rod / Maximum Length for a Single Piece: 120"
7026	FOOT	68	77	83	89	2" Round Hollow Rod / Maximum Length for a Single Piece: 120"
7035-RND/SQ	EACH	37	45	50	55	Single Rod Ceiling Mount Bracket
7036-RND	EACH	52	63	69	75	Double Rod Ceiling Mount Bracket
7038	EACH	97	117	128	138	3" Projection Eyelet Bracket
7039	EACH	122	146	160	176	6" Projection Eyelet Bracket
7040-RND/SQ	EACH	87	105	113	124	Double Bracket / 3" and 6" Projections
7041	EACH	132	132	132	138	Custom Elbow Angle Charge
7102BD	EACH	44	44	44	48	Rod Bending - ¾" to 1¼" Diameter Rods
7103CV	FOOT	48	48	48	52	Rod Curve - ¾" to 1¼" Diameter Rods
7187	EACH	63	69	75	83	"U" Shape Bend Charge for Finials: 3½" Projection
7188	EACH	63	69	75	83	Expandable Post Projection: 3"-4½" Projection (Finials Extra)
7188FX-300	EACH	67	73	79	87	Fixed Post Projection with Mounting Plate Charge for Finials: 3"P
7188FX-400	EACH	67	73	79	87	Fixed Post Projection with Mounting Plate Charge for Finials: 4"P
7188FX-650	EACH	67	73	79	87	Fixed Post Projection with Mounting Plate Charge for Finials: 6½"P
7321	EACH	39	47	51	56	Decorative Cap / Interior Fit / For Round Hollow Rods
7352	EACH	14	19	21	23	Square Ring / Available with the following Interior Dimensions: 1" x 1½", 1¼" x 1¾", and 1½" x 2"
7014SE	EACH	67	79	85	95	Unique Collection Single End Bracket / 3" Projection
7015SE	EACH	76	91	98	109	Unique Collection Single End Bracket / 6" Projection
7040DE	EACH	89	107	117	129	Unique Collection Double End Bracket / 3" and 6" Projections
7318-3P	EACH	63	75	81	89	Unique Collection Single Support Bracket / 3" Projection
7318HP-3P	EACH	63	75	81	89	Unique Collection Single Horizontal Backplate Support Bracket / 3" Proj.
7318-6P	EACH	69	83	91	98	Unique Collection Single Support Bracket / 6" Projection
7319	EACH	76	91	98	109	Unique Collection Double Support Bracket / 3" and 6" Projections
7330C	EACH	13	15	17	19	Unique Collection "C" Ring to Match Rod Size See Page 28 for Details

Italian Collection (Finials with Wood Insert; Available in 3 Finishes) - Page 59 of Catalog

7070*	EACH	85	103	110	122	Length: 3¾" Height: 1" Not Available for Traversing
7070L*	EACH	89	108	117	130	Length: 3¾" Height: 1¾" Not Available for Traversing
7071*	EACH	85	103	110	122	Length: 3¾" Height: 1" Not Available for Traversing
7071L*	EACH	89	108	117	130	Length: 3¾" Height: 1¾" Not Available for Traversing
7072*	EACH	85	103	110	122	Length: 3¾" Height: 1" Not Available for Traversing
7072L*	EACH	89	108	117	130	Length: 3¾" Height: 1¾" Not Available for Traversing

* Available while supply last.

Italian Collection: Baton 1014 - Page 60 of Catalog

Italian Finish	Unit	Price per Length				
		12"-24"	25"-48"	49"-72"	73"-84"	85"-108"
I	EACH	83	98	130	160	197
J	EACH	98	119	155	191	237
K	EACH	107	129	168	208	255
L	EACH	119	143	185	230	282

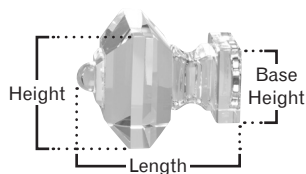
Bohemia Collection: Ordering Information

- All finials are available to fit $\frac{3}{4}$ ", 1", and $1\frac{1}{4}$ " round and square hollow rods, and $1\frac{1}{2}$ " traversing rods. Select finials are available to fit 2" round and square hollow rods, and 2" traversing rods.
 - Finials are available as interior fit **ONLY**.
 - Rod finishes are available in 36 Iron Art™ finishes, 13 Italian Collection finishes, or your own custom finish.
- Finials are shipped in custom boxes to ensure high quality protection.
- All finials are available as tiebacks.

Bohemia Collection: Pages 62-65 of Catalog

Product #	Unit	Price	Length	Height	Base Height	Rods	Product #	Unit	Price	Length	Height	Base Height	Rods
763	EACH	84	1 $\frac{1}{8}$ "	3 $\frac{1}{4}$ "	3 $\frac{1}{4}$ "	● ★	778	EACH	86	1 $\frac{1}{4}$ "	2 $\frac{3}{8}$ "	1 $\frac{1}{2}$ "	●
764	EACH	101	3 $\frac{5}{8}$ "	2 $\frac{1}{2}$ "	1 $\frac{5}{8}$ "	● ★	779	EACH	95	1 $\frac{1}{2}$ "	3 $\frac{1}{8}$ "	1 $\frac{5}{8}$ "	● ★
765	EACH	103	3 $\frac{3}{8}$ "	2 $\frac{3}{8}$ "	1 $\frac{1}{2}$ "	●	780	EACH	101	3"	3 $\frac{1}{8}$ "	1 $\frac{5}{8}$ "	● ★
766	EACH	81	1 $\frac{1}{2}$ "	2 $\frac{3}{8}$ "	2"	●	781	EACH	81	2 $\frac{1}{8}$ "	2 $\frac{3}{8}$ "	1 $\frac{5}{8}$ "	● ★
767	EACH	84	3 $\frac{1}{4}$ "	2"	2"	●	782	EACH	103	2 $\frac{7}{8}$ "	2 $\frac{3}{4}$ "	1 $\frac{5}{8}$ "	● ★
768	EACH	91	1 $\frac{7}{8}$ "	2 $\frac{1}{2}$ "	1 $\frac{5}{8}$ "	●	783	EACH	84	1 $\frac{7}{8}$ "	2"	2"	● ★
769	EACH	84	3 $\frac{3}{8}$ "	2 $\frac{3}{8}$ "	1 $\frac{3}{4}$ "	●	784	EACH	113	2 $\frac{3}{8}$ "	2 $\frac{7}{8}$ "	2 $\frac{7}{8}$ "	● ★
770	EACH	113	3 $\frac{5}{8}$ "	2 $\frac{1}{2}$ "	2 $\frac{1}{2}$ "	● ★	785	EACH	89	2 $\frac{1}{2}$ "	1 $\frac{1}{2}$ "	1 $\frac{1}{2}$ "	●
771	EACH	89	2 $\frac{3}{8}$ "	2 $\frac{1}{4}$ "	1 $\frac{5}{8}$ "	● ★	786	EACH	101	3"	2 $\frac{3}{8}$ "	2 $\frac{3}{8}$ "	● ★
772	EACH	101	2 $\frac{3}{4}$ "	2 $\frac{3}{8}$ "	1 $\frac{3}{4}$ "	● ★	787	EACH	99	3 $\frac{1}{2}$ "	2"	2"	● ★
773	EACH	101	2 $\frac{3}{4}$ "	2 $\frac{3}{8}$ "	1 $\frac{5}{8}$ "	● ★	788	EACH	99	3 $\frac{1}{2}$ "	2"	2"	● ★
774	EACH	91	2"	2 $\frac{3}{4}$ "	1 $\frac{1}{2}$ "	● ★	789	EACH	77	$\frac{3}{4}$ "	2"	2"	●
775	EACH	113	2 $\frac{3}{4}$ "	2 $\frac{1}{2}$ "	1 $\frac{1}{2}$ "	● ★	790	EACH	77	$\frac{3}{4}$ "	2"	2"	●
776	EACH	101	2 $\frac{3}{8}$ "	3 $\frac{1}{8}$ "	2"	● ★	791	EACH	101	3 $\frac{5}{8}$ "	3 $\frac{5}{8}$ "	2"	● ★
777	EACH	108	3"	2 $\frac{3}{4}$ "	2"	● ★	792	EACH	101	3 $\frac{3}{4}$ "	3 $\frac{1}{4}$ "	2"	● ★

Dimensions



Iron Rod Diameters

- $\frac{3}{4}$ ", 1", and $1\frac{1}{4}$ " Round and Square Hollow Rods and $1\frac{1}{2}$ " Traversing Rods
- ★ 2" Round and Square Hollow Rods and 2" Traversing Rods

Wood Art™ by ORION

Our Wood Art™ collection was introduced to expand the hardware options we offered designers, adding the classic elegance of wood to our drapery hardware selection. Wood Art™ is a beautiful, versatile group that will enhance any designer's imaginative repertoire.

Crystal, wood, and resin finials designed to fit 1³/₈", 2", 2¹/₄", or 3" poles are offered in a range of styles that will blend with or complement any décor. All are available in 36 Iron Art™ and 11 Wood Art™ finishes, as well as your own custom finish.

Wood Art™ features wood poles in smooth or fluted designs. There are two wood bracket styles and two wood ring styles to choose from. All our wood poles are also available with manual or motorized traversing.

Interested in an iron-wood fusion solution? Mix iron and wood together for a truly original look. Iron finials, rings, and brackets can all be incorporated for a one of a kind design.

Bohemia On Wood Collection: Ordering Information

1. All finials are available to fit 1³/₈" wood poles.

Select finials are available to fit 2" and 2¹/₄" wood poles, and 2" and 2¹/₄" wood traversing poles.

a. Finials screw in for wood poles with a round metal adaptor finished to match the pole.

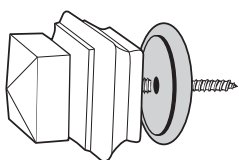
b. Pole finishes are available in 36 Iron Art™ finishes, 11 Wood Art™ finishes, or your own custom finish.

2. Finials are shipped in custom boxes to ensure high quality protection.

3. All finials are available as tiebacks.

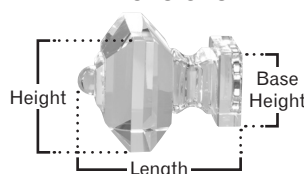
Bohemia On Wood Collection: Pages 68-71 of Catalog

Product #	Unit	Price	Length	Height	Base Height	Poles	Product #	Unit	Price	Length	Height	Base Height	Poles
763	EACH	84	1 ¹ / ₈ "	3 ¹ / ₄ "	3 ¹ / ₄ "	● ★	775	EACH	113	2 ³ / ₄ "	2 ¹ / ₂ "	1 ¹ / ₂ "	● ★
764	EACH	101	3 ⁵ / ₈ "	2 ¹ / ₂ "	1 ⁵ / ₈ "	● ★	776	EACH	101	2 ³ / ₈ "	3 ¹ / ₈ "	2"	● ★
765	EACH	103	3 ³ / ₈ "	2 ³ / ₈ "	1 ¹ / ₂ "	●	777	EACH	108	3"	2 ³ / ₄ "	2"	● ★
766	EACH	81	1 ¹ / ₂ "	2 ³ / ₈ "	2"	●	778	EACH	86	1 ¹ / ₄ "	2 ³ / ₈ "	1 ¹ / ₂ "	●
767	EACH	84	3 ¹ / ₄ "	2"	2"	●	779	EACH	95	1 ¹ / ₂ "	3 ¹ / ₈ "	1 ⁵ / ₈ "	● ★
768	EACH	91	1 ⁷ / ₈ "	2 ¹ / ₂ "	1 ⁵ / ₈ "	●	781	EACH	81	2 ¹ / ₈ "	2 ³ / ₈ "	1 ⁵ / ₈ "	● ★
769	EACH	84	3 ³ / ₈ "	2 ³ / ₈ "	1 ³ / ₄ "	●	782	EACH	103	2 ⁷ / ₈ "	2 ³ / ₄ "	1 ⁵ / ₈ "	● ★
770	EACH	113	3 ⁵ / ₈ "	2 ¹ / ₂ "	2 ¹ / ₂ "	● ★	787	EACH	99	3 ¹ / ₂ "	2"	2"	● ★
771	EACH	89	2 ³ / ₈ "	2 ¹ / ₄ "	1 ⁵ / ₈ "	● ★	788	EACH	99	3 ¹ / ₂ "	2"	2"	● ★
772	EACH	101	2 ³ / ₄ "	2 ³ / ₈ "	1 ³ / ₄ "	● ★	790	EACH	77	3 ⁴ / ₄ "	2"	2"	●
773	EACH	101	2 ³ / ₄ "	2 ³ / ₈ "	1 ⁵ / ₈ "	● ★	791	EACH	101	3 ⁵ / ₈ "	3 ⁵ / ₈ "	2"	● ★
774	EACH	91	2"	2 ³ / ₄ "	1 ¹ / ₂ "	● ★	792	EACH	101	3 ³ / ₄ "	3 ¹ / ₄ "	2"	● ★



Bohemia Crystals are disassembled from their metal adaptor bases (which are welded to a screw for installing into wood). Orion wood poles are pre-drilled. Just screw the crystal into the metal adaptor base, and the metal adaptor base into the wood pole, and you are set for installation.

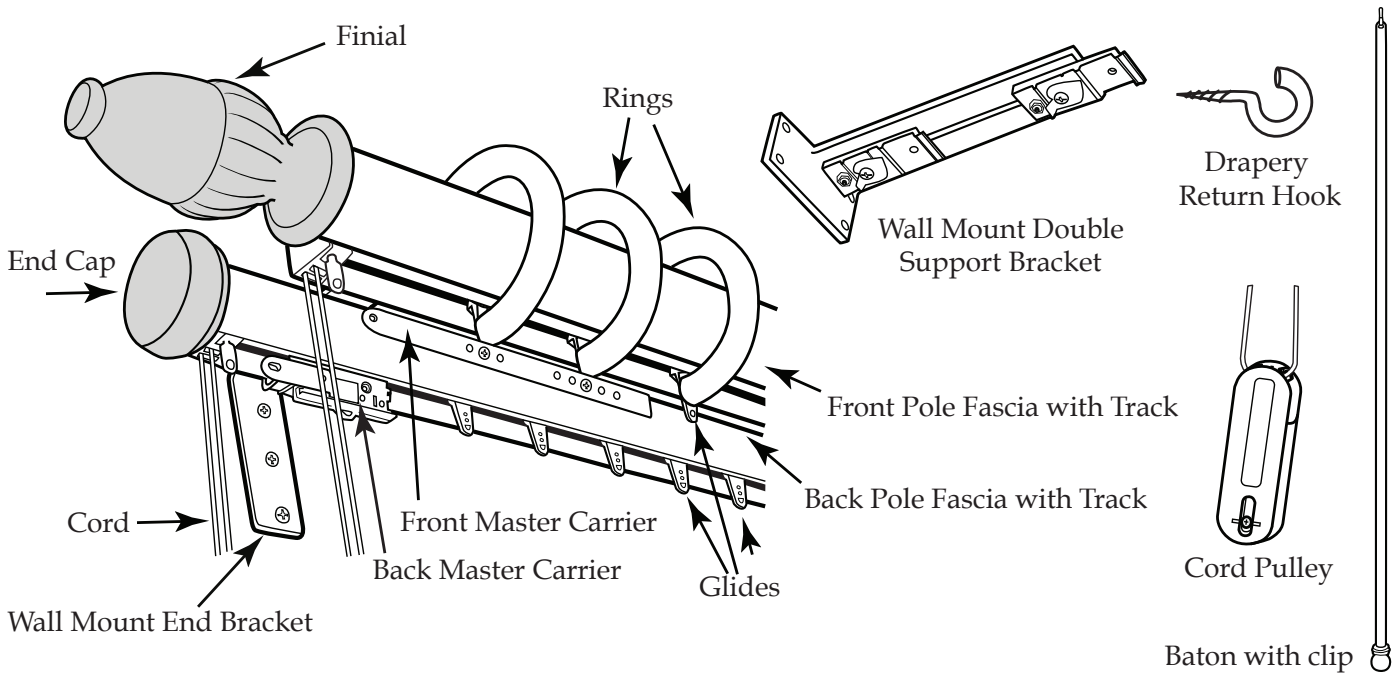
Dimensions



Wood Pole Diameters

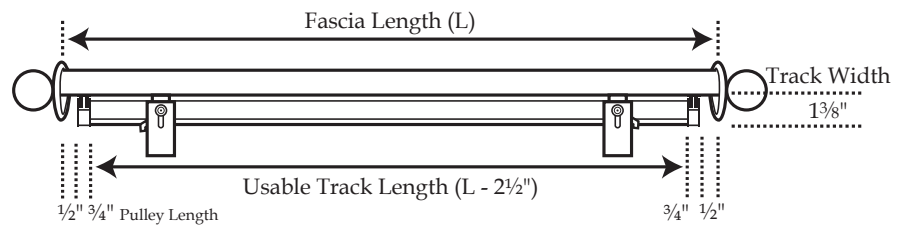
- 1³/₈" Diameter Poles
- ★ 2" and 2¹/₄" Diameter Poles & 2" and 2¹/₂" Traversing Poles

DESIGNERS' CHOICE WOOD TRAVERSING POLES



MEASUREMENT GUIDELINES

- Please specify fascia length when ordering.
- Usable Track length will be 2½" shorter than fascia length. (L - 2½")



Wood Traversing Systems

Traversing Systems designed to meet all of the custom needs of interior designers.

- Single or Double Systems with Wood Fascia.
- Up to 30 Feet in Length.
- Heavy Duty Track and Accessories Automatically Included.
- End and Support Brackets in Iron Customized for Heavy Duty Applications.
- Wall Mount or Ceiling Mount Brackets with Expandable Projections.
- Front Track with or without Rings.
- Back Pole in Double Traverse System Includes End Caps (Finished) and 1⅜" Diameter Wood Fascia to Match Front Pole Style.
- Cord Draw or Baton Draw.
- Five Finishes for Traversing Tracks:
Antique Bronze, Black, Gold, Silver, and White.
- Pinch Pleat or RippleFold.
- Track Color Coordinating Pinch Pleat Glides for Systems with Rings.
Pinch Pleat Without Rings and RippleFold Glides are White.
- 11 Wood Art™ or 36 Iron Art™ Finishes for Pole Fascia, Finials, Rings, Brackets & End Caps (Back Pole Fascia Only).
- Custom Finishes Available.
- Pole Styles and Diameters:
Round: 2", 2¼", and 3"
Fluted: 2", 2¼", and 3"
- Select Finials from New York Wood, Rosina, Wood Craft, Bohemia, or Iron Collections.
- Miter Return Available.
- Heavy Duty Packaging.
- Shipped in 15 Business Days.

Designers' Choice Set Guide: Iron Bracket, Glide, and Ring Quantities

Product	Unit	QTY	Product	Unit	QTY
Iron End Brackets Single Bracket Back Plate: H 3¼" W 1½" Double Bracket Back Plate: H 4½" W 1½"	SET	2	Rings (Front Rod Only) Including Master Carriers <i>Rings are an additional cost</i>	FOOT	4
Glides - Including Master Carrier	FOOT	4			

See pages 60 for traversing with Somfy Motorization.

Designers' Choice Wood Traversing Poles: Ordering Information

- Sets automatically include: pole fascia, heavy duty tracks, glides, master carriers*, cords, and cord pulleys**, drapery return hooks, two end brackets, support brackets as needed per length, and back pole end caps (for double poles only).
- Items sold separately: finials, rings (front pole with pinch pleat glides only), and batons.
- Pole set finishes: poles, brackets, return hooks, rings, master carriers, and batons are finished as per finish specified in order.
- Track finishes are available in Antique Bronze, Black, Gold, Silver, and White.
- Glides for pinch pleat systems with rings coordinate with the five track finishes. Pinch pleat glides for systems without rings and RippleFold glides are available in white. Pinch pleat glides are supplied four per foot.
- Please state fullness of 60%, 80%, 100%, or 120% when ordering RippleFold.
- Traversing poles come with or without rings on front poles with pinch pleat glides only. Back poles and RippleFold glides do not accommodate rings. Two stationary rings are placed on each end for center open systems, one ring is placed on the stack side for one-way draw systems.
- If desired, you may specify a baton drawn system. **Batons are sold separately.** Please see page 27 for Iron Art™ batons and page 80 for Wood Art™ batons.
- When ordering, include cord length (standard is 8'), cord placement (left or right), and draw (left stack, right stack, or center open).
- Please specify wall or ceiling mount end brackets when ordering. Due to limited clearance, we recommend using end caps as finials with ceiling mount brackets. Please contact customer service for a list of other finials which may be used.
- Traversing set pricing is rounded up to the next foot.
- Maximum fabric weight for a 16' track is 62 lbs. for the heavy duty traverse track (automatically provided in each set).
- All heavy duty tracks and wood poles (all diameters) are available in 16' (192") lengths without a splice, and up to 30' (360") with a splice. Please contact customer service for the availability of 19' (228") lengths without a splice.**
- We splice any center open traversing rod over 8'6" (102") to save on shipping charges using FedEx/UPS. (One-way draw is not spliced for FedEx/UPS.) Traversing systems not specified as one piece in the order will be spliced in the center, unless a splice location is otherwise noted. Anything specified as one piece and over these lengths is shipped by truck, and final shipping charges are given when the order is shipped. Please note residential truck deliveries are restricted to 24' (288").
- When ordering with miter returns, please add Product #WT307MR.
The width entered should be the track measurement. Returns are available as 3½", 4½", 6", and 7".
- Custom finish: 40% additional charge. Please add a one time strike off charge (Product #IASTRIKE).

Traversing Accessories: Pages 49 & 72 of Catalog

Accessories & Charges	Product #	Unit	Price	Additional Information	
Additional Traversing Glides	TRGL	EACH	3	Specify Quantity in Order / Standard is Four per Foot	
Additional Traversing Cord (white)	TRCR	FOOT	2	Specify Length in Order / Standard is Eight Feet	
Strike Off Charge (net)	IASTRIKE	EACH	65	One time strike off charge for custom finish	
Wood Miter with Return	WT307MR	EACH	88	Available in 3½", 4½", 6", and 7"	
"C" Ring Styles (Front Pole Only)	Product #	Unit	Price		Additional Information
			2" & 2¼" Inner Diameter	3" Inner Diameter	
Smooth Wood "C" Rings	WT5047TR	EACH	23	28	Specify Quantity in Order Standard is Four per Foot
Fluted Wood "C" Rings	WT5049TR	EACH	23	28	

See pages 52-53 for brackets.

* Center open poles come with two master carriers, while one-way draw poles come with one. Front pole carriers each hold two rings.

** Cord drawn traversing sets include cords and cord pulleys. Batons for baton drawn sets are sold separately.

***Ceiling mount support brackets have a 2" drop for poles without rings, and a 3" drop for poles with rings.

Single Traversing Sets: Page 72 of Catalog

(Add Finials, Rings, Accessories, and Miscellaneous Charges Where Applicable)

Style	Set #	4 Feet	5 Feet	6 Feet	7 Feet	8 Feet	9 Feet	10 Feet	Additional Foot
Track Only	ITTRACK-S	317	352	405	468	529	590	652	62
Designers' Choice: Wood									
Smooth 2" Dia.	WTRN-S-200	481	609	707	805	933	1030	1129	162
Smooth 2¼" Dia.	WTRN-S-214	481	609	707	805	933	1030	1129	162
Smooth 3" Dia.	WTRN-S-300	533	677	792	906	1052	1166	1281	178
Fluted 2" Dia.	WTFL-S-200	481	609	707	805	933	1030	1129	162
Fluted 2¼" Dia.	WTFL-S-214	481	609	707	805	933	1030	1129	162
Fluted 3" Dia.	WTFL-S-300	549	695	808	922	1069	1182	1298	178

Double Traversing Sets: Page 73 of Catalog

(Add Finials, Rings, Accessories, and Miscellaneous Charges Where Applicable)

Style	Set #	4 Feet	5 Feet	6 Feet	7 Feet	8 Feet	9 Feet	10 Feet	Additional Foot
Track Only	ITTRACK-D	677	825	972	1120	1270	1418	1566	148
Designers' Choice: Wood									
Smooth 2" Dia.	WTRN-D-200	709	898	1046	1192	1382	1528	1675	228
Smooth 2¼" Dia.	WTRN-D-214	709	898	1046	1192	1382	1528	1675	228
Smooth 3" Dia.	WTRN-D-300	754	951	1106	1263	1445	1611	1779	266
Fluted 2" Dia.	WTFL-D-200	709	898	1046	1192	1382	1528	1675	228
Fluted 2¼" Dia.	WTFL-D-214	709	898	1046	1192	1382	1528	1675	228
Fluted 3" Dia.	WTFL-D-300	754	951	1106	1263	1445	1611	1779	266

Stationary Rod Front And Trav Fascia In Back

Includes 2 End Brackets and 2 End Caps for Back Traversing Fascia. Fascia will be 1⅜"

Style	Set #	4 Feet	5 Feet	6 Feet	7 Feet	8 Feet	9 Feet	10 Feet	Additional Foot
Designers' Choice: Wood									
Smooth 2" Dia.	STA-WTRN-200	790	963	1102	1242	1414	1554	1694	205
Smooth 2¼" Dia.	STA-WTRN-214	790	963	1102	1242	1414	1554	1694	205
Smooth 3" Dia.	STA-WTRN-300	1118	1263	1377	1491	1637	1751	1867	272
Fluted 2" Dia.	STA-WTFL-200	790	963	1102	1242	1414	1554	1694	205
Fluted 2¼" Dia.	STA-WTFL-214	790	963	1102	1242	1414	1554	1694	205
Fluted 3" Dia.	STA-WTFL-300	1118	1263	1377	1491	1637	1751	1867	272
Number of Brackets Included:		2	3	3	3	4	4	4	See Note*

*Additional brackets will be included at 11', 14', 17', 20', 23', 26', and 29'. See page 52-53 for bracket specifications.

See pages 60 for traversing with Somfy Motorization.

Wood Craft Collection: Ordering Information

The Wood Craft Collection available while supplies last.

1. The Wood Craft Collection is available to fit 1 $\frac{3}{8}$ ", 2", and 2 $\frac{1}{4}$ " wood poles in smooth and fluted styles.
2. Finials can be combined with iron rods.
3. Bracket #5070 is only available for a 2" wood pole.

Wood Craft Collection (Hand Carved Wood Finials): Page 74 of Catalog

Product #	Unit	Iron Art Finishes				Wood Art Finishes		Custom Finish	Additional Information
		A	B	C	D	E	F		
5060	EACH	54	68	73	77	73	77	86	To Fit 1 $\frac{3}{8}$ " Diameter Poles
5061	EACH	52	65	70	74	70	74	83	To Fit 1 $\frac{3}{8}$ " Diameter Poles
5062	EACH	52	65	70	74	70	74	83	To Fit 1 $\frac{3}{8}$ " Diameter Poles
5063	EACH	52	65	70	74	70	74	83	To Fit 1 $\frac{3}{8}$ " Diameter Poles
5064	EACH	52	65	70	74	70	74	83	To Fit 1 $\frac{3}{8}$ " Diameter Poles
5065	EACH	52	65	70	74	70	74	83	To Fit 1 $\frac{3}{8}$ " Diameter Poles
5066	EACH	52	65	70	74	70	74	83	To Fit 1 $\frac{3}{8}$ " Diameter Poles
5067	EACH	52	65	70	74	70	74	83	To Fit 1 $\frac{3}{8}$ " Diameter Poles
5080	EACH	58	73	78	83	78	83	93	To Fit 2" and 2 $\frac{1}{4}$ " Diameter Poles
5081	EACH	58	73	78	83	78	83	93	To Fit 2" and 2 $\frac{1}{4}$ " Diameter Poles
5082	EACH	58	73	78	83	78	83	93	To Fit 2" and 2 $\frac{1}{4}$ " Diameter Poles
5083	EACH	58	73	78	83	78	83	93	To Fit 2" and 2 $\frac{1}{4}$ " Diameter Poles
5084	EACH	58	73	78	83	78	83	93	To Fit 2" and 2 $\frac{1}{4}$ " Diameter Poles
5085	EACH	58	73	78	83	78	83	93	To Fit 2" and 2 $\frac{1}{4}$ " Diameter Poles
5086	EACH	58	73	78	83	78	83	93	To Fit 2" and 2 $\frac{1}{4}$ " Diameter Poles
5088	EACH	58	73	78	83	78	83	93	To Fit 2" and 2 $\frac{1}{4}$ " Diameter Poles

Wood Craft Collection (Tiebacks & Brackets): Page 75 of Catalog

Product #	Unit	Iron Art Finishes				Wood Art Finishes		Custom Finish	Additional Information
		A	B	C	D	E	F		
5070	EACH	58	73	78	83	78	83	93	Available for 2" Wood Pole Bracket Only / 6 $\frac{3}{4}$ " Projection
5071	EACH	35	44	48	52	51	54	60	$\frac{5}{8}$ " Diameter Wood Baton 38" Length
5095	EACH	32	40	43	46	43	46	51	Tieback
5096	EACH	32	40	43	46	43	46	51	Tieback
5097	EACH	32	40	43	46	43	46	51	Tieback
5098	EACH	32	40	43	46	43	46	51	Tieback
5099	EACH	32	40	43	46	43	46	51	Tieback

Wood Poles & Accessories: Ordering Information

1. We splice any iron rod or wood pole over 106" to save on shipping charges using FedEx/UPS. Rods or poles not specified as one piece in the order will be spliced in the center, unless splice location is otherwise noted. Anything over 106" must be shipped by common carrier (truck line). Please note residential truck deliveries are restricted to 24' (288").
2. Wood poles are available and priced in sections of 4', 6', 8', and 12' in smooth and fluted styles.
3. Wood poles can be mitered. Please add Product #5055 to the order.
4. Wood ring #5047 is available in 1 $\frac{7}{8}$ " and 2 $\frac{3}{4}$ " inner diameters. Wood ring #5048 is available in 3 $\frac{1}{2}$ " inner diameter only. Wood ring #5049 is available in 1 $\frac{7}{8}$ ", 2 $\frac{3}{4}$ ", and 3 $\frac{1}{2}$ " inner diameters.
5. Wood poles can be combined with Iron Art™ finials. Unfinished products are available by quote only.
6. Please refer to the catalog for product availability for 3" wood pole accessories.
7. Poles can be spliced together to provide any length using a metal connector for wood poles. Please add Product #5056 to the order.

Wood Poles & Accessories: Page 75 of Catalog

Product # or Size	Unit	Iron Art Finishes				Wood Art Finishes		Custom Finish	Additional Information
		A	B	C	D	E	F		
Smooth Poles: 1³/₈" Diameter									
4' Length	EACH	50	64	70	75	73	78	89	Minimum Charged for 4'
6' Length	EACH	70	89	97	104	103	108	121	Minimum Charged for 6'
8' Length	EACH	100	127	142	150	148	158	175	Minimum Charged for 8'
12' Length	EACH	144	183	200	215	212	225	250	Minimum Charged for 12'
Smooth Poles: 2" and 2¹/₄" Diameter									
4' Length	EACH	104	132	146	157	153	164	183	Minimum Charged for 4'
6' Length	EACH	163	208	229	245	242	258	286	Minimum Charged for 6'
8' Length	EACH	216	274	301	323	318	339	377	Minimum Charged for 8'
12' Length	EACH	325	417	457	490	482	514	570	Minimum Charged for 12'
Smooth Poles: 3" Diameter									
4' Length	EACH	230	294	323	347	340	364	405	Minimum Charged for 4'
6' Length	EACH	325	416	456	487	481	512	569	Minimum Charged for 6'
8' Length	EACH	443	566	621	665	655	700	777	Minimum Charged for 8'
12' Length	EACH	651	830	912	976	960	1025	1139	Minimum Charged for 12'
Fluted Poles: 1³/₈" Diameter									
4' Length	EACH	50	64	71	76	75	79	89	Minimum Charged for 4'
6' Length	EACH	69	88	96	103	100	107	120	Minimum Charged for 6'
8' Length	EACH	97	124	136	146	144	153	171	Minimum Charged for 8'
12' Length	EACH	133	171	187	200	196	210	233	Minimum Charged for 12'
Fluted Poles: 2" and 2¹/₄" Diameter									
4' Length	EACH	104	132	146	157	153	164	183	Minimum Charged for 4'
6' Length	EACH	163	208	229	245	242	258	286	Minimum Charged for 6'
8' Length	EACH	216	274	301	323	318	339	377	Minimum Charged for 8'
12' Length	EACH	325	417	457	490	482	514	570	Minimum Charged for 12'
Fluted Poles: 3" Diameter									
4' Length	EACH	230	294	323	347	340	364	405	Minimum Charged for 4'
6' Length	EACH	325	416	456	487	481	512	569	Minimum Charged for 6'
8' Length	EACH	443	566	621	665	655	700	777	Minimum Charged for 8'
12' Length	EACH	651	830	912	976	960	1025	1139	Minimum Charged for 12'

Wood Poles & Accessories: Page 75 of Catalog (continued)

Product # or Size	Unit	Iron Art Finishes				Wood Art Finishes		Custom Finish	Additional Information
		A	B	C	D	E	F		
Wood Brackets									
5045S-138	EACH	22	28	30	31	31	33	39	American Style Bracket For 1 3/8" Pole / 3 3/4" Projection
5045S-200	EACH	30	39	42	44	44	46	51	American Style Bracket For 2" Pole / 4" Projection For 2 1/4" Pole / 4 1/8" Projection
5045S-300	EACH	36	46	51	55	54	57	64	American Style Bracket For 3" Pole / 4 1/2" Projection
5045E-138	EACH	31	41	45	47	46	50	55	American Style Bracket For 1 3/8" Pole / 6 1/2" Projection
5045E-200	EACH	36	46	50	54	54	56	64	American Style Bracket For 2" Pole / 7" Projection For 2 1/4" Pole / 7" Projection
5045E-300	EACH	40	50	55	58	57	60	69	American Style Bracket For 3" Pole / 7 1/2" Projection
5046S-138									Discontinued
5046S-200	EACH	31	40	43	46	45	49	54	European Style Bracket For 2" Pole / 4" Projection For 2 1/4" Pole / 4" Projection
5046S-300	EACH	39	49	53	56	57	59	67	European Style Bracket - Design change For 3" Pole / 5" Projection
5046E-138	EACH	41	51	56	60	59	64	71	European Style Bracket For 1 3/8" Pole / 6 1/2" Projection
5046E-200	EACH	47	60	68	71	70	74	83	European Style Bracket For 2" Pole / 7" Projection For 2 1/4" Pole / 7" Projection
5046E-300	EACH	58	74	82	89	85	92	101	European Style Bracket - Design change For 3" Pole / 7 1/2" Projection
Smooth Wood Rings									
5047-138	EACH	7	8	9	9	9	9	10	For 1 3/8" Diameter Poles 1/2" Thick / 1 7/8" Inner Diameter
5047-200	EACH	8	10	11.5	11.5	11.5	14	15	For 2" & 2 1/4" Diameter Poles 1/2" Thick / 2 3/4" Inner Diameter
5048-300	EACH	15	18.5	20	21	21	22	24	For 3" Diameter Poles 7/8" Thick / 3 1/2" Inner Diameter
Fluted Wood Rings									
5049-138	EACH	7	7	8	9	9	10	11.5	For 1 3/8" Diameter Poles 3/4" Thick / 1 7/8" Inner Diameter
5049-200	EACH	9	10	10	11.5	11.5	11.5	17	For 2" & 2 1/4" Diameter Poles 3/4" Thick / 2 3/4" Inner Diameter
5049-300	EACH	15	16	17	18.5	18.5	20	21	For 3" Diameter Poles 3/4" Thick / 3 1/2" Inner Diameter
Wood Accessories									
5050-138	EACH	68	86	93	100	99	105	118	Swivel Movable Elbow For 1 3/8" Diameter Poles
5050-200	EACH	88	112	122	131	129	137	153	Swivel Movable Elbow For 2" & 2 1/4" Diameter Poles

**Rope Poles in all diameter is subject to availability.*

Wood Poles & Accessories: Page 75 of Catalog (continued)

Product # or Size	Unit	Iron Art Finishes				Wood Art Finishes		Custom Finish	Additional Information
		A	B	C	D	E	F		
Wood Accessories									
5051-138	PAIR	25	30	34	38	35	39	43	Standard Socket Pair For 1 3/8"
5051-200	PAIR	49	63	69	73	72	77	86	Standard Socket Pair For 2" & 2 1/4"
5052-138	EACH	23	27	30	31	31	34	39	End Cap For 1 3/8" Diameter Poles
5052-200	EACH	42	53	57	63	62	66	72	End Cap For 2" & 2 1/4" Diameter Poles
5052-300	EACH	63	79	88	93	92	98	108	End Cap For 3" Diameter Poles
5053	EACH	39	48	53	56	56	59	67	1/2" Dia. Baton, 38" Long / Clip Only
5055	EACH	23	23	23	23	23	23	23	Miter Charge
5056	EACH	10	10	10	10	10	10	10	Metal Connector for Wood
5071	EACH	44	56	63	67	66	70	77	5/8" Dia. Baton, 38" Long / Clip Only
5090-SM-250	EACH	31	38	44	49	44	49	52	Smooth 2" Wood Post Tieback with Mounting Plate: 2 1/2" P
5090-SM-400	EACH	31	38	44	49	44	49	52	Smooth 2" Wood Post Tieback with Mounting Plate: 4" P
5090-SM-600	EACH	31	38	44	49	44	49	52	Smooth 2" Wood Post Tieback with Mounting Plate: 6" P
5090-SM-CUST	EACH	31	38	44	49	44	49	52	Smooth 2" Wood Post Tieback with Mounting Plate: Custom P Up to 12"
5090-FL-250	EACH	31	38	44	49	44	49	52	Fluted 2" Wood Post Tieback with Mounting Plate: 2 1/2" P
5090-FL-400	EACH	31	38	44	49	44	49	52	Fluted 2" Wood Post Tieback with Mounting Plate: 4" P
5090-FL-600	EACH	31	38	44	49	44	49	52	Fluted 2" Wood Post Tieback with Mounting Plate: 6" P
5090-FL-CUST	EACH	31	38	44	49	44	49	52	Fluted 2" Wood Post Tieback with Mounting Plate: Custom P Up to 12"
1087	EACH	25	31	34	38	NA	NA	44	"U" Shape Bend Charge for Finials 3 1/2" P
1088FX-300	EACH	27	34	38	41	NA	NA	46	Fixed Post Projection with Mounting Plate Charge for Finials: 3" P
1088FX-400	EACH	27	34	38	41	NA	NA	46	Fixed Post Projection with Mounting Plate Charge for Finials: 4" P
1088FX-650	EACH	27	34	38	41	NA	NA	46	Fixed Post Projection with Mounting Plate Charge for Finials: 6 1/2" P

Rosina Collection: Ordering Information

1. The Rosina Collection is available to fit 1 3/8", 2", and 2 1/4" wood poles in smooth and fluted styles.
2. Rosina finials are constructed in resin.
3. Finials can be combined with iron rods.

Rosina Collection (Resin and Wood): Pages 76 & 77 of Catalog

Product #	Unit	Iron Art Finishes				Wood Art Finishes		Custom Finish	Additional Information
		A	B	C	D	E	F		
6002									Discontinued
6003	EACH	38	48	52	55	55	58	65	To Fit 1 3/8" Diameter Poles
6006									Discontinued
6007	EACH	64	80	90	95	94	99	112	To Fit 2" and 2 1/4" Diameter Poles
6010	EACH	44	57	63	68	67	71	79	To Fit 1 3/8" Diameter Poles
6011	EACH	64	80	90	95	94	99	112	To Fit 2" and 2 1/4" Diameter Poles
6013	EACH	64	80	90	95	94	99	112	To Fit 2" and 2 1/4" Diameter Poles
6014									Discontinued

Rosina Collection (Resin and Wood): Pages 76 & 77 of Catalog

Product #	Unit	Iron Art Finishes				Wood Art Finishes		Custom Finish	Additional Information
		A	B	C	D	E	F		
6015									Discontinued
6017	EACH	55	71	78	82	81	89	97	To Fit 2" and 2¼" Diameter Poles
6019	EACH	53	68	72	76	75	79	84	Available While Supplies Last To Fit 2" and 2¼" Diameter Poles
6020	EACH	55	70	75	79	78	82	90	Available While Supplies Last To Fit 2" and 2¼" Diameter Poles
6022	EACH	35	44	49	51	50	53	56	Available While Supplies Last To Fit 1⅜" Diameter Poles
6023									Discontinued
6000									Discontinued
6001									Discontinued
6004									Discontinued
6005									Discontinued
6008									Discontinued
6009									Discontinued
6014									Discontinued

New York Wood Collection: Ordering Information

1. The New York Wood Collection is available to fit 1⅜", 2", 2¼", and 3" wood poles in smooth and fluted styles.
2. Finials can be combined with iron rods.

New York Wood Collection (Wood Finials): Page 78 of Catalog

Product #	Unit	Iron Art Finishes				Wood Art Finishes		Custom Finish	Additional Information
		A	B	C	D	E	F		
5020	EACH	55	71	77	82	81	88	96	To Fit 2" and 2¼" Diameter Poles
5021	EACH	51	64	71	76	75	79	89	To Fit 2" and 2¼" Diameter Poles
5022	EACH	51	64	71	76	75	79	89	To Fit 2" and 2¼" Diameter Poles
5023	EACH	62	78	86	92	91	96	107	To Fit 2" and 2¼" Diameter Poles
5024									Discontinued
5025	EACH	51	64	71	76	75	79	89	To Fit 2" and 2¼" Diameter Poles
5026	EACH	53	68	73	79	78	82	93	To Fit 2" and 2¼" Diameter Poles
5027	EACH	51	64	71	76	75	79	89	To Fit 2" and 2¼" Diameter Poles
5028	EACH	51	64	71	76	75	79	89	To Fit 2" and 2¼" Diameter Poles
5030	EACH	69	89	96	103	102	109	120	To Fit 3" Diameter Poles
5031	EACH	69	89	96	103	102	109	120	To Fit 3" Diameter Poles
5032	EACH	69	89	96	103	102	109	120	To Fit 3" Diameter Poles
5033	EACH	75	95	103	112	110	117	130	To Fit 3" Diameter Poles
5034	EACH	69	89	96	103	102	109	120	To Fit 3" Diameter Poles
5035	EACH	69	89	96	103	102	109	120	To Fit 3" Diameter Poles
5036	EACH	69	89	96	103	102	109	120	To Fit 3" Diameter Poles
5037	EACH	69	89	96	103	102	109	120	To Fit 3" Diameter Poles
5040	EACH	38	48	52	55	55	58	65	To Fit 1⅜" Diameter Poles
5041	EACH	38	48	52	55	55	58	65	To Fit 1⅜" Diameter Poles
5042	EACH	38	48	52	55	55	58	65	To Fit 1⅜" Diameter Poles
5043	EACH	38	48	52	55	55	58	65	To Fit 1⅜" Diameter Poles
5038									Discontinued

Promotional Items for Designers: Ordering Information

1. Prices for Promotional Items are on "NET" basis.
2. Custom displays can be ordered.

#8000 - Product Wall Display - Set 1: Page 79 of Catalog

\$625 Each (Net) W32" H48"

Display Includes:

Tuscany Collection
Metal Cornice with Wood Duster
Design: 8021 Acanthus Single
Finish Group B: Bronze Vecchio

Rosina Collection
2" Fluted Wood Pole
Left/Right Finials: 6017
Bracket 1040-RND
Smooth Ring 5047
Finish Group D: Autumn

Unique Collection
1" Round Hollow Iron Rod
Left/Right Finials: 321, 513
End Bracket 1028SE
Support Bracket 318SC
"C" Ring 330
Finish Group B: Antique Bronze

Tropical Collection
1 1/4" Bamboo Straight Iron Rod
Left/Right Finials: 9005, 9004
Bracket 9010
Round Ring 9025
Finish TC206: Rustic Bamboo

Italian Collection
1" Round Hollow Iron Rod
Left/Right Finials: 7003, 7006
Bracket 7014
Round Ring 7013
Finish Group I: Brushed Nickel

Bohemia Collection
1" Round Hollow Iron Rod
Left/Right Finials: 783, 771
Bracket 7014 • Round Ring 7013
Finish Group J: Polished Chrome

Swing Arm 1074A
3/4" Round Iron Rod
Mounting Plate R1
Finish Group B: Old Black

Iron Art™ Accessories
1058 Rosette Post Projection Tieback
Finish Group B: Naturelle

Iron Art™ Accessories
315 Movable Elbow - Interior Fit
309 90° Elbow - Exterior Fit
Finish Group B: Naturelle

Iron Art™ Accessories
303 Full Socket
302 Half Socket
1013 U Shape Bend Tieback
Finish Group B: Naturelle

#8001 - Product Wall Display - Set 2: Page 79 of Catalog

\$625 Each (Net) W32" H48"

Display Includes:

Designers' Choice Traversing - Wood
2" Fluted Traversing Wood Pole - Double Set
Right Stack
Finials: 5027
Finish Group E: Walnut

Designers' Choice Traversing - Iron
1 1/2" Square Traversing Iron Rod - Single Set
Right Stack
Finials: 947S
Square Rings IT352TR
Finish Group B: Soft Pewter

1 1/2" Round Hollow Hammered Iron Rod
Hardware Set
Left/Right Finials: 946H, 913S
Left/Right Brackets: 1102, 1106
Round Ring 350
Finish Group C: Bronze Patina

1" Twist Hollow Iron Rod Hardware Set
Left/Right Finials: 906S, 904S
Bracket 1030-RND
Twisted Ring 351
Finish Group B: Rusty

1" Square Hollow Iron Rod Hardware Set
Left/Right Finials: 417, 907
Bracket 1028-SQ • Square Ring 352
Finish Group C: Burnt Gold

Burgundy Collection 264
3/4" Iron Rod with Return
Round Ring 350
Finish Group C: Sage Gold

Baton 1016 with Clip
Finish Group B: Naturelle

#8002 - Xpress Yourway Wall Display: Page 79 of Catalog

\$625 Each (Net) W32" H48"

Display Includes:

Iron Hardware Double Set
1" Round Hollow Iron Rod
Left/Right Front Finials: 513, 420
Left/Right Rear End Caps: 321, 301
Left/Right Brackets: 1024/1040DBWS-RND
Round Ring 350 • Express It! Finish: Black

Iron Hardware Single Set
1" Round Hollow Iron Rod
Left/Right Finials: 966, 505
Left/Right Brackets: 1028/1040-RND 6"P
Support Bracket 1040HP-RND 6"P
Round Ring 350
Express It! Finish: New Nickel

Iron Hardware Single Set
1" Round Hollow Iron Rod
Left/Right Finials: 946 2", 947L
Left/Right Brackets: 1028/1040-RND
Support Bracket 1040HP-RND
Round Ring 350
Quicken It! Finish: Antique Bronze

Iron Hardware Single Set
1 1/4" Round Hollow Iron Rod
Left/Right Finials: 950, 906S
Left/Right Brackets: 1028/1040-RND
Support Bracket 1028HP-RND
Round Ring 350
Quicken It! Finish: Antique Gold

Italian Hardware Double Set
1" Round Hollow Iron Rod
Left/Right Front Finials: 778, 7003
Left/Right Rear End Caps: 790, 7016
Bracket 7040 • Round Ring 7013
Express It! Finish: Brushed Nickel

Italian Hardware Single Set
1" Round Hollow Iron Rod
Left/Right Finials: 781, 7005
Bracket 7015 6"P
Support Bracket 7015HP 6"P
Round Ring 7013
Express It! Finish: Polished Chrome

Italian Hardware Single Set
1" Round Hollow Iron Rod
Left/Right Finials: 782, 7006
Bracket 7014 • Support Bracket 7014HP
Round Ring 7013
Express It! Finish: Brushed Nickel

Italian Hardware Single Set
1" Round Hollow Iron Rod
Left/Right Finials: 774, 775
Bracket 7014 • Round Ring 7013
Express It! Finish: Polished Chrome

Accessories
Socket 302 • Socket 303
Express It! Finish: Light Brown

Socket 306-112 • Tieback 1078
Quicken It! Finish: Soft Pewter

Tieback 1073 • Tieback 1059 Rosette
Quicken It! Finish: Pure White

Baton 1016 • Quicken It! Finish: Soft Pewter

#8003 - Designer Finial Set: Page 79 of Catalog

\$115 Each (Net) - Includes:

Finial Samples:

Iron Finial #946 on Smooth
Round Hollow 1¼" Diameter Rod

Iron Finial #913L on Smooth
Round Hollow 1½" Diameter Rod

Bohemia Finial #771 on Smooth
Round Hollow 1" Diameter Rod

Iron Finial #976 on Fluted
Round Hollow 1¼" Diameter Rod

Italian Finial # 7005 on Smooth
Round Hollow 1" Diameter Rod

Wood Finial #5040 on Smooth
1⅜" Diameter Wood Pole

#8011 - Designer Sample Kit: Page 79 of Catalog

\$150 Each (Net) L20" W15" H5" Weight 11 lbs. - Includes:

One Soft Carrying Case

One Set of Orion's Catalog, Brochures, Price Lists and Order Forms.

Finial Samples:

Iron Finial #946 on Smooth
Round Hollow 1¼" Diameter Rod

Iron Finial #913L on Smooth
Round Hollow 1½" Diameter Rod

Bohemia Finial #771 on Smooth
Round Hollow 1" Diameter Rod

Iron Finial #976 on Fluted
Round Hollow 1¼" Diameter Rod

Italian Finial # 7005 on Smooth
Round Hollow 1" Diameter Rod

Wood Finial #5040 on Smooth
1⅜" Diameter Wood Pole

Designer Tools: Page 79 of Catalog

#8017 - Designer Rod Size Set - \$40 Each (Net)

Includes Base, Cap, and Post to Hold the Set Together and 1 Sample Each of the Following Diameters:

- ½" Diameter
- ⅝" Diameter
- ¾" Diameter
- ⅞" Diameter
- 1" Diameter
- 1¼" Diameter
- 1½" Diameter
- 2" Diameter
- 3" Diameter

#8018 - Designer Ring Size Set - \$30 Each (Net)

Includes Hinged Metal Snap Ring and 1 Sample Each of the Following Diameters:

- ¾" Inner Diameter
- 1" Inner Diameter
- 1¼" Inner Diameter
- 1½" Inner Diameter
- 1¾" Inner Diameter
- 2" Inner Diameter
- 2½" Inner Diameter
- 3" Inner Diameter
- 3½" Inner Diameter
- 4" Inner Diameter

Finish Selectors and Catalogs: Page 79 of Catalog

Product #	Description	Unit	Price (Net)	Additional Information
8004	Iron Art™ Finish Selector Set	EACH	70	36 Iron Art™ finishes in three plastic binder sleeves.
8005	Wood Art™ Finish Selector Set	EACH	30	11 Wood Art™ finishes in one plastic binder sleeve.
8007	Rods with Return Display Board	EACH	625	Rods with Return Display Board H 32" X W 24"
8014	Italian Finish Selector Set	EACH	75	Includes 13 Italian Collection color selectors in 1 plastic ring binder sleeve.
8006	Tropical Bamboo Finish Selector Set	EACH	40	6 Tropical Collection finishes on rings.
8008	Color Selector Sets in Binder	EACH	125	Includes finish selector sets in plastic sleeves for our Iron Art™, Wood Art™, and Italian Collections in a full color 3-ring binder.
8009	Catalog/Price List & Forms Set	EACH	10	All our current catalogs, brochures, price lists and order forms.
8015	Color Binder Set w/Catalog (8008 + 8009)	EACH	135	Includes everything from 8008, plus our catalog and price list.
8016	Single Square Color Selector Chip	EACH	6	Single color selector chip of any Iron Art™ or Italian Collection finish.
8019	7 New Italian Finish Selector Chips	EACH	30	7 New Italian Collection™ finishes in one plastic binder sleeve.

TERMS OF SALE

1. PRICES

- a. All prices (except Promotional Items) listed are retail prices in US\$ and are FOB warehouse.
- b. Prices and terms of sale are subject to change without notice.
- c. Prices and specifications are subject to corrections resulting from errors, omissions, and modifications.
- d. Specifications listed in this price list supersede those listed in the catalog.

2. TERMS

- a. Customer accounts are opened under the following terms: Payment Before Shipping (Proforma), or Credit Card (Visa, MasterCard, or American Express).
 1. Credit card accounts give specific to the Company to charge the credit card upon completion of the order.
- b. **All orders \$2,500 and above need a 50% deposit prior to commencement of manufacturing.**
- c. A \$50.00 fee will be charged for any returned checks.
- d. Late payments on a Net 30 account will cause the account to become Proforma, or Credit Card. **A late fee of payment interest of 1.5% per month (18% per year) will be added to all invoices not paid within 7 days.**
- f. The Company reserves the right to review and change account terms at any time.
- g. Any and all legal or collection costs that are incurred in procuring past due accounts will be the sole responsibility of the customer, and will be added to outstanding account balances.
- h. **All requests for credit on invoices that are priced incorrectly or contain other invoicing errors should be sent to the Company in writing within 30 days of the invoice date.**

3. NEW ORDERS

- a. To ensure correct ordering information, we prefer that all orders be faxed or emailed using our Drapery Hardware Order forms.
- b. **The Company has provided a comprehensive ordering information guide for its products. Please review it carefully before placing an order.**
- c. Please review orders for accuracy and completeness before sending.
- d. Manufacturer's best judgment will prevail on order details not provided before processing an order.
- e. **Any errors or omissions are the customer's sole responsibility.**
- f. Verbal orders will **NOT** be accepted at any time.
- g. Orders can be sent via fax, standard mail, or email.
- h. Orders received by 12:00 noon Pacific Standard Time will be deemed to be received on that business day.
- i. **Incomplete orders, or orders with questions will be deemed to be received on the date that all queries have been answered.**
- j. **Duplicate orders sent and executed will be the customer's sole responsibility.**
- k. The Company will send an Order Confirmation to customers within 72 hours of receipt of an order.
- l. All customers with a physical presence in California are required to have a valid resale certificate on file with the Company. Sales tax will be charged on orders from California customers not having a valid resale certificate on file with the Company.

4. ORDER CHANGES / REVISIONS

- a. **All revisions and changes MUST be in writing, and should be submitted via fax or email.**
- b. Customer changes and revisions will **NOT** be accepted after three working days from receipt of an order.
- c. Changes and revisions on any rush order will not be accepted after 24 hours from receipt of an order.
- d. Changes cannot be made to Xpress Yourway orders once confirmation is received.
- e. There will be a \$25.00 charge for customer changes received more than 48 hours after the original order.
- f. NO charge for: changing shipping instructions up to the scheduled ship date; to add items to an order up to two

working days from receipt of an order; making changes that stem from clarification of orders.

- g. **Any changes or revisions may affect the shipping date.**

5. ORDER CANCELLATIONS AND HOLDS

- a. Since all orders are hand-made, custom to order, no cancellations or holds will be accepted after three business days from the date of an order.
- b. **Any orders cancelled or held beyond three days of placing the order will be subject to a cancellation charge of \$25.00, plus a 40% restocking fee of net invoice/item value as applicable.**
- c. Custom items, such as cut rods, are **NOT** refundable.
- d. Rush orders cannot be cancelled or put on hold.
- e. All requests for order holds or cancellations must be sent in writing.

6. PRODUCTION / DELIVERY

- a. The due date listed on the sales order confirmation indicates that the order will be shipped or ready for Will Call at the **END** of that business day.
- b. The orders ship dates for standard and customization including (Italian, Tuscany, and Traversing) will be based on the production schedule prevailing at a given time. Please contact your Customer Service representative for the prevailing production due dates on orders.
- c. **Rush orders** are accepted on a limited basis. These should be handled as an exception and not a rule. Rush orders may be refused for any reason whatsoever. Rush order surcharges for Standard orders are:
 1. **RUSH:** 30% on orders shipped early by 3 business days from the prevailing due dates.
 2. **HOT RUSH:** 60% on orders shipped early by 5 business days from the prevailing due dates.Rush order surcharges for Customization (Italian, Tuscany, Traversing, and custom) orders are:
 1. **RUSH:** 30% on orders shipped early by 3 business days from the prevailing due dates.
 2. **HOT RUSH:** 60% on orders shipped early by 5 business days from the prevailing due dates.
- d. Scheduled ship dates are based on production variables and are difficult to expedite. Any date changes will incur the change charge as delineated above. (Large and non-standard orders may require more time.)
- e. The nature of the order will be taken into account when assigning scheduled ship dates.
- f. **All orders are shipped FOB warehouse. Delivery charges are to customer's account.**
- g. Shipping charges include handling and packaging charges. If a customer chooses to have the shipping charges billed to his shipping account (FedEx, UPS) or his trucking company account, there will be a 4% of retail invoice value charge added for packaging and handling only.
- h. A valid shipping address must be provided at the time you submit your purchase order. Orders that must be re-delivered or extra trip(s) made by UPS, FedEx, or Common Carrier will incur redelivery and/ or holding fees. Address changes on ground shipments will incur a \$15.00 fee per box/tube.
- i. All residential fees are the responsibility of the customer. All special access delivery fees are the responsibility of the customer.
- j. Orion will ship your orders via FedEx, UPS or USPS based on the most economical carrier. Freight surcharges vary by carrier and are not always known at the time of your shipment. Freight surcharges are the responsibility of the customer and may be billed on a later date.
- k. The above shipping due dates are at the time of publishing the price list and subject to change.
- l. Certain orders may require additional packaging and/or special handling, which will be an additional charge on the order. (ie. bent rods)

m. Please see page 86 for FedEx/UPS Freight Surcharge.

7. WILL CALL ORDERS

- a. The due date listed on the sales order confirmation indicates that the order will be ready for Will Call at the **END** of that business day.
- b. All Will Call orders will be invoiced and mailed on the date that the order is completed, and will be due according to the customer's account terms.
- c. Accounts with Payment Before Delivery (Proforma), or Credit Card terms must pay for their Will Call orders in full at the time of order readiness in production.
- d. **Will Call orders should be picked up within two weeks of completion.**
- e. Will Call orders not picked up after three weeks from completion will be subject to a stocking charge of \$20.00 per week.
- f. Will Call orders not picked up after six weeks will be returned to inventory and be subject to a 50% production fee.
- g. Please confirm that production of the order is complete before arriving to pick it up.

8. RETURN POLICY

- a. **No product will be accepted for return without prior authorization. Please call your Customer Service Executive prior to returning any merchandise.**
 1. Your Customer Service Executive will issue a Return Merchandise Authorization (RMA) number.
 2. **The RMA# MUST be noted on all packages that are returned to the Company.**
 3. If the return is due to Company error or omission, a call tag will be issued to pick up the material to be returned.
 4. Shipping charges on all returns other than defective or damaged merchandise will be borne by the customer.
- b. Rings, standard brackets, and finials will be accepted for return with a restocking fee of 40% of net invoice/item as applicable.
- c. With the exception of defects and damages:
 1. **Custom orders or orders made to a customer's specifications and/or crackle finishes cannot be returned.**
 2. Rods cut to customer's specification are **NOT** returnable.
 3. The customer will pay a 40% restocking fee of net invoice/item as applicable.
- d. On applicable items, credit for returns will be issued. Credit for restocked items is "**on account**", and will be applied against open invoices and/or future orders. At no time will there be a cash/check/credit card refund.
- e. **No return request will be accepted after 30 days from the invoice date.**

9. DEFECTIVE, DAMAGED OR MISSING MERCHANDISE

- a. **Orders MUST be checked upon receipt.**
 1. **Immediately upon receipt, your order should be inspected for shortages, damages, and to ensure that there is no concealed damage from shipping.**
 2. **Refuse all packages that have visible damage or are opened and may have missing pieces. Claims on damages or shortages must be made immediately. Any missing packages must be reported to Orion within 48 hours from receipt of order.**
 3. **Please note on the Bill of Lading (BOL) or Delivery Receipt if there is any possibility of damage.**
 4. **Photographs and physical inspection are required. DO NOT discard contents or packaging. You will be responsible for damaged freight not properly noted on delivery receipt/BOL or reported after 1 week from delivery date.**
 5. **The company will not be responsible for any shipping damage claims in the event the damage handling process is not followed.**
- b. The Company will repair or replace any defective merchandise at its sole discretion.
- c. The Company will be responsible for any freight charges to

return defective merchandise. A RMA# and call tag will be issued by the Customer Relations Executive.

- d. If, upon examination, the merchandise is found to be **NOT** defective, the customer will be charged freight.

10. INSTALLATION

- a. It is of the utmost importance that all the Company products be installed properly.
- b. For questions regarding securing products to a particular surface, please consult a professional installer.
- c. **The Company will not be responsible nor liable under any circumstances for installation or any costs relating to installation, removal, or reinstallation. The Company will only repair or replace any defective or damaged product.**

11. FINISHES

- a. All finishes are done by hand, thus some variation in tone and appearance will occur.
- b. All product prices include finishes. Please see this price list for finish groups.
- c. The Company can custom match most finishes.
 1. All custom finishes will require a strike-off approved by the customer before the Company finishes the product. The strike-off has a one time net charge of \$65.00, and turn around time is 3 business days.
 2. When ordering, please refer to product pricing in the Custom Finish Group.
- d. **The lithographic color reproductions presented in the catalog may not accurately reflect the true tones, lusters, and depths of the finishes. Please refer to actual finish samples (Color Selector Sets) for a more accurate representation.**

12. CUSTOM ORDERS

- a. The Company is a true custom manufacturer, and as such we are able to manufacture products to almost any specification.
- b. Any item that varies from the specifications published in the Company catalogs and price lists will be subject to a minimum customization charge of \$180.00 per item retail. This should be added to the standard cost of the product.
- c. If the customization charge is greater than \$180.00 per item retail, the Company will contact the customer with a price quote and wait for approval before proceeding with the order.

13. WARRANTY

- a. The Company offers a standard limited warranty on all merchandise to be free from manufacturing defects for a period of one year from the date of purchase.
- b. This warranty does **NOT** apply to normal wear and tear, damage from mishandling, abuse, or exposure due to climatic conditions.
- c. **This warranty specifically excludes any product that is used in an external environment.**

14. EFFECTIVE DATE

- a. **These terms of sale are effective as of March 15, 2024.**
- b. These terms of sale may be revised, amended, or replaced at any time at the Company's discretion.

15. DISCLAIMER

- a. The Company endeavors to provide accurate information in all of its catalogs and price lists. However, the Company is **NOT** responsible for any errors or omissions of any kind, nor is the Company liable for any charges that stem from any errors or omissions on its part.
- b. All orders placed with the Company are governed by the terms of sale in effect at the time of ordering.

ADDITIONAL FEDEX/UPS FREIGHT SURCHARGE

Any box over 96" and less than 108" in length will incur additional surcharge per box.

1) Orion policy is to splice any rod/pole over 94" and less than 106" **ONLY** when specified on the order, otherwise it will ship in one piece and will incur an additional surcharge as per Shipping Charge Rate Sheet. 2) Orion policy is to automatically splice any rod/poles over 106" unless specified **"DO NOT SPLICE"** in order, in which case it will be shipped by truck. 3) Orion policy is to automatically splice any Manual Traversing Facia/rod length over 90" and less than 102" unless specified **"DO NOT SPLICE"** in order, in which case it will incur additional surcharge as per Shipping Charge Rate Sheet per box. 4) Orion Policy is to automatically splice any Manual Traversing Facia/rod length over 102" unless specified **"DO NOT SPLICE"** in order, in which case it will be shipped by truck. 5) Orion policy is **NOT** to automatically splice any Motorized Traversing Facia/rod length over 90" and less than 102" unless specified **"SPLICE"** in order, in which case it will incur additional surcharge as per Shipping Charge Rate Sheet per box. 6) Orion policy is **NOT** to automatically splice any Motorized Traversing Facia/rod length over 102" unless Specified **"SPLICE"** in order, in which case it will shipped by truck.

NOTE: For multiple rod/pole length over 94" and less than 106" in a single order will be packed together in single box to keep the additional surcharge per box and not per rod.

SUMMARY OF CHARGES

Below is a listing of charges found in Terms of Sale (page 84).

Type of Charge	Amount
Returned Checks	\$50 net
Late Payments	1.5% interest/month on unpaid amount
Order Changes after 48 Hours	\$25 net
Cancellation Charge	\$25 net plus 40% restocking of net invoice/item value as applicable
Shipping billed to Customer's Shipping Account	4% of retail invoice value for packaging and handling
Will Call Stocking Charge	\$20 net a week after three weeks
Will Call Production Restocking Fee	\$50% restocking of new invoice value after six weeks, order returned to inventory
Restocking Fee	40% of net invoice/Item as applicable
Strike-off Charge	\$65 net
Minimum Customization Charge	\$180 retail per item
Weld Charge	\$30 retail per item
Additional Freight Surcharge	See Above

SUMMARY OF UPCHARGES (NET PRICING)

Type of Order	Amount
Outdoor Hardware	40%
Semi or High Gloss Finish	20%
Rush Orders <i>Standard orders and Customization (Italian, Tuscany, Traversing, and Custom) orders shipped early by 3 business days from the prevailing due dates.</i>	30%
Hot Rush Orders <i>Standard orders and Customization (Italian, Tuscany, Traversing, and Custom) orders shipped early by 5 business days from the prevailing due dates.</i>	60%
Traversing Set Custom Finish	40%

Please refer to Terms of Sale (page 84) for more details on RUSH charges and turn around times.

DECORATIVE DRAPERY HARDWARE ORDER FORM

IMPORTANT INFORMATION: Please read the following carefully before utilizing this form:

1. This order form is to be used to order ♦ Finials ♦ Eclectic Finials ♦ Tie Backs ♦ Batons ♦ Brackets ♦ Accessories ♦ Rings ♦ Rods ♦ Swing Arms ♦ Unique Collection ♦ Fina Collection ♦ Italian Collection ♦ Tropical Collection (except 9040S & 9040D Cornices) ♦ Milano Collection ♦ Rosina Collection ♦ New York Wood Collection ♦ Wood Craft Collection ♦ Wood Poles and Accessories ♦ Promotional Items for Designers
2. Utilize Special Instructions area to elaborate items that require special processing. Use additional forms/sheets if space is inadequate.

CUSTOMER INFORMATION					
Company Name:			Page ____ of ____		
Ordered By (Name):			Order Date:		
Side Mark:			Account#:		
Phone:			PO#:		
Ship to:			Drawing/Template: Yes: <input type="checkbox"/> No: <input type="checkbox"/>		
Street:			Order Type: Reg: <input type="checkbox"/> Rush: <input type="checkbox"/> Hot Rush: <input type="checkbox"/>		
City:		State:	Zip:	Delivery Location: Business: <input type="checkbox"/> Residential: <input type="checkbox"/>	
Ship Via: FedEx/UPS Ground: <input type="checkbox"/> 3 Day: <input type="checkbox"/> 2 Day: <input type="checkbox"/> Overnight: <input type="checkbox"/> Truck: <input type="checkbox"/> Will Call: <input type="checkbox"/> Other:					

IRON RODS • ITALIAN RODS • WOOD POLES								
Qty.	Rod Type / Rod #	Rod Style (Round, Twist, Etc.)	Rod Dia. (Inches)	Rod Length (In.) (Not Including Finials)	Splice Yes/No	Finish		Room
						Name	Number	

Special Instructions:

FINIALS • ECLECTIC FINIALS								
Qty.	Product #	Rod Style (Round, Twist, Etc.)	To Fit Rod Dia. (Inches)	Finial Fit (Interior / Exterior)	Left / Right (Where Applicable)	Finish		Room
						Name	Number	

Special Instructions:

BRACKETS • DECORATIVE BRACKETS							
Qty.	Product #	Rod Style (Round, Twist, Etc.)	To Fit Rod Dia. (Inches)	Projection (Inches)	Finish		Room
					Name	Number	

Special Instructions:

RINGS						
Qty.	Product #	Ring Size Inside Diameter (Inches)	To Fit Rod Diameter (Inches)	Finish		Room
				Name	Number	

Special Instructions:

ACCESSORIES							
Qty.	Product #	Rod Style (Round, Twist, Etc.)	To Fit Rod Dia. (Inches)	Fit (Interior / Exterior)	Finish		Room
					Name	Number	

Special Instructions:

TIE BACKS AND SWAG HOLDERS							
Qty.	Product #	Tie Back Style		Left / Right (Where Applicable)	Finish		Room
		Post Projection	"U" Bend Shape		Name	Number	

Special Instructions:

BATONS							
Qty.	Product #	Length in Inches (Tip to Tip)	Clip or Ring	Ring Size Inside Diameter (Inches)	Finish		Room
					Name	Number	

Special Instructions:

SWING ARMS								
Qty.	Product #	Length (In.) (Including Finials)	Left / Right (Where Applicable)	Bracket # (If 3" or 6" Projection)	Mounting Plate (R1, R2, D3)	Finish		Room
						Name	Number	

Special Instructions:

OASIS COLLECTION							
Qty.	Product #	Length (S, M, L, XL)	Ring		Finish		Room
			Number	Quantity	Name	Number	

Special Instructions:

PROMOTIONAL ITEMS FOR DESIGNERS								
Product #	8000	8001	8002	8003	8004	8005	8006	8008
Quantity								
Product #	8009	8010	8011	8014	8015	8016	8017	8018
Quantity								

EXCLUSIVE COLLECTIONS ORDER FORM

IMPORTANT INFORMATION: Please read the following carefully before utilizing this form:

1. This order form is to be used to order ♦ Tuscany Cornice Collection ♦ Tropical Collection (9040S & 9040D Cornices) ♦ Burgundy Collection ♦ Mediterranean Collection ♦ Renaissance Collection ♦ Vienna Collection
2. Utilize Special Instructions area to elaborate items that require special processing. Use additional forms/sheets if space is inadequate.

CUSTOMER INFORMATION							
Company Name:				Page ____ of ____			
Ordered By (Name):				Order Date:			
Side Mark:				Account#:			
Phone:				PO#:			
Ship to:				Drawing/Template: Yes: <input type="checkbox"/> No: <input type="checkbox"/>			
Street:				Order Type: Reg: <input type="checkbox"/> Rush: <input type="checkbox"/> Hot Rush: <input type="checkbox"/>			
City:		State:		Zip:		Delivery Location: Business: <input type="checkbox"/> Residential: <input type="checkbox"/>	
Ship Via: FedEx/UPS Ground: <input type="checkbox"/> 3 Day: <input type="checkbox"/> 2 Day: <input type="checkbox"/> Overnight: <input type="checkbox"/> Truck: <input type="checkbox"/> Will Call: <input type="checkbox"/> Other:							

TUSCANY CORNICE COLLECTION • TROPICAL COLLECTION (#9040S/9040D)*

Qty.	Product #	Length (Inches)	Return Projection (Inches)	Wood Duster Yes/No	Return Only Left / Right (Where Applicable)	Finish		Room
						Name	Number	

Special Instructions:

BURGUNDY COLLECTION / ROD WITH RETURN (#264/7007)

Qty.	Product #	Template Yes/No	Rod Dia. (Inches)	Rod Length (In.) (Not Including Finials)	Return Projection (Rod with Return #264 & #7007)	Finish		Room
						Name	Number	

Special Instructions:

MEDITERRANEAN COLLECTION • RENAISSANCE COLLECTION

Qty.	Product #	Renaissance		Return Only Left / Right (Where Applicable)	Mounting Plate Type	Finish		Room
		Length (Inches)	Return Proj. (In.)			Name	Number	

Special Instructions:

VIENNA COLLECTION

Qty.	Product #	Length (Inches) (Tip to Tip)	Left / Right (Where Applicable)	Proj. (3" or 6")	Knobs (Front or Back Includes 5)	Addl Knobs	Finish		Room
							Name	Number	

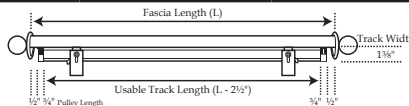
Special Instructions:

*Note: If used with traversing, please give ordering details with the Manual Traversing or Traversing with Somfy Motorization order forms.

MANUAL TRAVERSING ORDER FORM

Designers' Choice Traversing, Deco Lite Traversing, Tuscany Traversing, Tuscany Collection Cornices, and Tropical Collection Cornices

CUSTOMER INFORMATION							
Company Name:					Page ____ of ____		
Ordered By (Name):					Order Date:		
Side Mark:					Account#:		
Phone:					PO#:		
Ship to:					Drawing/Template: Yes: <input type="checkbox"/> No: <input type="checkbox"/>		
Street:					Order Type: Reg: <input type="checkbox"/> Rush: <input type="checkbox"/> Hot Rush: <input type="checkbox"/>		
City:			State:		Zip:		Delivery Location: Business: <input type="checkbox"/> Residential: <input type="checkbox"/>
Ship Via: FedEx/UPS Ground: <input type="checkbox"/> 3 Day: <input type="checkbox"/> 2 Day: <input type="checkbox"/> Overnight: <input type="checkbox"/> Truck: <input type="checkbox"/> Will Call: <input type="checkbox"/> Other: _____							



***Measurement Guidelines**

- Please specify fascia length when ordering.
- Usable track length will be 2 1/4" shorter than fascia length. (L - 2 1/4")

Total Number of Rod Sets Ordered on this PO: _____

1.	Qty	Set#	Rod Dia. (Inches)	Fascia Design (Deco Lite or Tuscany)	Fascia Length* (Inches) (Not Including Finials)	Usable Track Length* (Fascia Length - 2 1/4")	Track Finish	Back Rod For Double Set						
								<input type="checkbox"/> Ant. Bronze <input type="checkbox"/> Black <input type="checkbox"/> Gold <input type="checkbox"/> Silver <input type="checkbox"/> White	<input type="checkbox"/> Track & Fascia <input type="checkbox"/> Track Only					
	Type of Draw		Opening		Cord Drop		Cord Length		Drapery Heading					
	<input type="checkbox"/> Cord <input type="checkbox"/> Baton _____ " # _____ Qty _____		<input type="checkbox"/> Left Stack <input type="checkbox"/> Right Stack <input type="checkbox"/> Center Open		<input type="checkbox"/> Left <input type="checkbox"/> Right		<input type="checkbox"/> Standard (8 Feet) <input type="checkbox"/> Other: _____ "		<input type="checkbox"/> Pinch Pleat <input type="checkbox"/> RippleFold Master Type <input type="checkbox"/> 60% <input type="checkbox"/> 80% <input type="checkbox"/> Butt <input type="checkbox"/> 100% <input type="checkbox"/> 120% <input type="checkbox"/> Overlap					
	Front Track Rings		Ring or Glide Quantity		Mounting Bracket		Bracket Projection (For Single Sets Only)		Additional Support Brackets		Finial # or Miter Return Projection		Set Finish	
	<input type="checkbox"/> No Rings <input type="checkbox"/> Ring#: _____		<input type="checkbox"/> 4 Per Ft (Std.) <input type="checkbox"/> Other Qty: _____ (Total)		<input type="checkbox"/> Wall <input type="checkbox"/> Ceiling		<input type="checkbox"/> 3 1/2" to 4 1/2" <input type="checkbox"/> 6" to 7"		Qty: _____ Bracket#: _____		<input type="checkbox"/> 3 1/2" <input type="checkbox"/> 4 1/2" <input type="checkbox"/> 6" <input type="checkbox"/> 7"			

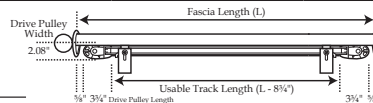
2.	Qty	Set#	Rod Dia. (Inches)	Fascia Design (Deco Lite or Tuscany)	Fascia Length* (Inches) (Not Including Finials)	Usable Track Length* (Fascia Length - 2 1/4")	Track Finish	Back Rod For Double Set						
								<input type="checkbox"/> Ant. Bronze <input type="checkbox"/> Black <input type="checkbox"/> Gold <input type="checkbox"/> Silver <input type="checkbox"/> White	<input type="checkbox"/> Track & Fascia <input type="checkbox"/> Track Only					
	Type of Draw		Opening		Cord Drop		Cord Length		Drapery Heading					
	<input type="checkbox"/> Cord <input type="checkbox"/> Baton _____ " # _____ Qty _____		<input type="checkbox"/> Left Stack <input type="checkbox"/> Right Stack <input type="checkbox"/> Center Open		<input type="checkbox"/> Left <input type="checkbox"/> Right		<input type="checkbox"/> Standard (8 Feet) <input type="checkbox"/> Other: _____ "		<input type="checkbox"/> Pinch Pleat <input type="checkbox"/> RippleFold Master Type <input type="checkbox"/> 60% <input type="checkbox"/> 80% <input type="checkbox"/> Butt <input type="checkbox"/> 100% <input type="checkbox"/> 120% <input type="checkbox"/> Overlap					
	Front Track Rings		Ring or Glide Quantity		Mounting Bracket		Bracket Projection (For Single Sets Only)		Additional Support Brackets		Finial # or Miter Return Projection		Set Finish	
	<input type="checkbox"/> No Rings <input type="checkbox"/> Ring#: _____		<input type="checkbox"/> 4 Per Ft (Std.) <input type="checkbox"/> Other Qty: _____ (Total)		<input type="checkbox"/> Wall <input type="checkbox"/> Ceiling		<input type="checkbox"/> 3 1/2" to 4 1/2" <input type="checkbox"/> 6" to 7"		Qty: _____ Bracket#: _____		<input type="checkbox"/> 3 1/2" <input type="checkbox"/> 4 1/2" <input type="checkbox"/> 6" <input type="checkbox"/> 7"			

Notes: _____

TRAVERSING WITH SOMFY MOTORIZATION ORDER FORM

Designers' Choice Traversing, Deco Lite Traversing, Tuscany Traversing, Tuscany Collection Cornices, and Tropical Collection Cornices

CUSTOMER INFORMATION							
Company Name:				Page ____ of ____			
Ordered By (Name):				Order Date:			
Side Mark:				Account#:			
Phone:				PO#:			
Ship to:				Drawing/Template: Yes: <input type="checkbox"/> No: <input type="checkbox"/>			
Street:				Order Type: Reg: <input type="checkbox"/> Rush: <input type="checkbox"/> Hot Rush: <input type="checkbox"/>			
City:		State:		Zip:		Delivery Location: Business: <input type="checkbox"/> Residential: <input type="checkbox"/>	
Ship Via: FedEx/UPS Ground: <input type="checkbox"/> 3 Day: <input type="checkbox"/> 2 Day: <input type="checkbox"/> Overnight: <input type="checkbox"/> Truck: <input type="checkbox"/> Will Call: <input type="checkbox"/> Other: <input type="checkbox"/>							



***Measurement Guidelines**

- Please specify fascia length when ordering.
- Usable track length will be 8 1/2" shorter than fascia length. (L - 8 1/2")

Total Number of Rod Sets Ordered on this PO: _____

Qty	Set#	Rod Dia. (Inches)	Fascia Design (Deco Lite or Tuscany)	Fascia Length* (Inches) (Not Including Finials)	Usable Track Length* (Fascia Length - 8 1/2")	Track Finish		Back Rod For Double Set
						<input type="checkbox"/> Ant. Bronze	<input type="checkbox"/> Black	
1.	Opening		Motor	Placement	Drapery Heading		Front Track Rings	Ring or Glide Qty
	<input type="checkbox"/> Left Stack <input type="checkbox"/> Right Stack <input type="checkbox"/> Center Open			<input type="checkbox"/> Left <input type="checkbox"/> Right	<input type="checkbox"/> Pinch Pleat <input type="checkbox"/> RippleFold <input type="checkbox"/> 80% <input type="checkbox"/> 100% <input type="checkbox"/> 120% <input type="checkbox"/> Overlap	Master Type <input type="checkbox"/> Butt <input type="checkbox"/> Overlap	<input type="checkbox"/> No Rings <input type="checkbox"/> Ring#: _____	<input type="checkbox"/> 4 Per Ft (Std.) <input type="checkbox"/> Other Qty: _____ (Total)
Mounting Bracket		Bracket Projection (For Single Sets Only)		Additional Support Brackets		Finial # or Miter Return Projection		Set Finish
<input type="checkbox"/> Wall Mount <input type="checkbox"/> Ceiling Mount		<input type="checkbox"/> 3 1/2" to 4 1/2" <input type="checkbox"/> 6" to 7"		Qty: _____ Bracket#: _____		<input type="checkbox"/> 3 1/2" <input type="checkbox"/> 4 1/2" <input type="checkbox"/> 6" <input type="checkbox"/> 7"		

Qty	Set#	Rod Dia. (Inches)	Fascia Design (Deco Lite or Tuscany)	Fascia Length* (Inches) (Not Including Finials)	Usable Track Length* (Fascia Length - 8 1/2")	Track Finish		Back Rod For Double Set
						<input type="checkbox"/> Ant. Bronze	<input type="checkbox"/> Black	
2.	Opening		Motor	Placement	Drapery Heading		Front Track Rings	Ring or Glide Qty
	<input type="checkbox"/> Left Stack <input type="checkbox"/> Right Stack <input type="checkbox"/> Center Open			<input type="checkbox"/> Left <input type="checkbox"/> Right	<input type="checkbox"/> Pinch Pleat <input type="checkbox"/> RippleFold <input type="checkbox"/> 80% <input type="checkbox"/> 100% <input type="checkbox"/> 120% <input type="checkbox"/> Overlap	Master Type <input type="checkbox"/> Butt <input type="checkbox"/> Overlap	<input type="checkbox"/> No Rings <input type="checkbox"/> Ring#: _____	<input type="checkbox"/> 4 Per Ft (Std.) <input type="checkbox"/> Other Qty: _____ (Total)
Mounting Bracket		Bracket Projection (For Single Sets Only)		Additional Support Brackets		Finial # or Miter Return Projection		Set Finish
<input type="checkbox"/> Wall Mount <input type="checkbox"/> Ceiling Mount		<input type="checkbox"/> 3 1/2" to 4 1/2" <input type="checkbox"/> 6" to 7"		Qty: _____ Bracket#: _____		<input type="checkbox"/> 3 1/2" <input type="checkbox"/> 4 1/2" <input type="checkbox"/> 6" <input type="checkbox"/> 7"		

Controls

Remote	Finish	Qty
<input type="checkbox"/> Telis 1 RTS	<input type="checkbox"/> Pure	
<input type="checkbox"/> Telis 5 RTS	<input type="checkbox"/> Silver	
<input type="checkbox"/> Telis 1 Chronis RTS	<input type="checkbox"/> Lounge	

Additional Accessories

Switch	Finish	Qty	Product #	Qty	Product #	Qty
<input type="checkbox"/> DecoFlex 1	<input type="checkbox"/> White					
<input type="checkbox"/> DecoFlex 5	<input type="checkbox"/> Ivory					
	<input type="checkbox"/> Black					

Please specify how we should program your remote or switch. If no specification is made, we will program each track per channel.

Notes: _____



All orders received before 12:00 noon Pacific time will be considered same day orders.

Company Name:		Ship to:	
Ordered By (Name):		Street:	
Side Mark:		City:	
Phone:		State:	
Delivery Location: Business: <input type="checkbox"/> Residential: <input type="checkbox"/>		Zip:	
Ship Via: <input type="checkbox"/> 3 Day: <input type="checkbox"/> 2 Day: <input type="checkbox"/> Overnight: <input type="checkbox"/> Truck: <input type="checkbox"/> Will Call: <input type="checkbox"/> Other: <input type="checkbox"/>		Ship to Phone (if by Truck):	

Express It! finishes are shipped in one business day while **Quicken It!** finishes are shipped within 3 business days.

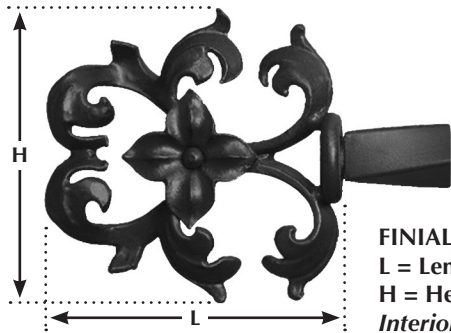
Rod	Connector*	Finial / End Cap	Ring	Bracket	Xpress Yourway Finish
Diameter : Length (Inches) : Quantity	Quantity	Product# : Quantity	Product# : Quantity	Product# : Quantity	Express It! : Quicken It!
					BLK <input type="checkbox"/> BRN <input type="checkbox"/> LTBRN <input type="checkbox"/> SPWTR <input type="checkbox"/> NNKL <input type="checkbox"/> PCHR <input type="checkbox"/> BNKL <input type="checkbox"/> ANT BRZ <input type="checkbox"/> PWHT <input type="checkbox"/> PNKL <input type="checkbox"/> STGLD <input type="checkbox"/> ANT GLD <input type="checkbox"/>
					BLK <input type="checkbox"/> BRN <input type="checkbox"/> LTBRN <input type="checkbox"/> SPWTR <input type="checkbox"/> NNKL <input type="checkbox"/> PCHR <input type="checkbox"/> BNKL <input type="checkbox"/> ANT BRZ <input type="checkbox"/> PWHT <input type="checkbox"/> PNKL <input type="checkbox"/> STGLD <input type="checkbox"/> ANT GLD <input type="checkbox"/>
					BLK <input type="checkbox"/> BRN <input type="checkbox"/> LTBRN <input type="checkbox"/> SPWTR <input type="checkbox"/> NNKL <input type="checkbox"/> PCHR <input type="checkbox"/> BNKL <input type="checkbox"/> ANT BRZ <input type="checkbox"/> PWHT <input type="checkbox"/> PNKL <input type="checkbox"/> STGLD <input type="checkbox"/> ANT GLD <input type="checkbox"/>

* The maximum length for unspliced rods is 120" for Iron Art™ and 108" for Italian. Rods over 106" that are not specified as one piece will automatically be spliced to save on shipping charges, and a connector charge will be added. Splices are placed in the center unless another location is otherwise noted. Rods over 106" can only be shipped via common carrier (truck line).

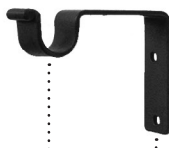
Socket	Xpress Yourway Finish	Tieback	Xpress Yourway Finish	Baton	Xpress Yourway Finish
Product# : Qty.	Express It! : Quicken It!	Product# : Qty.	Express It! : Quicken It!	Product# : Qty.	Express It! : Quicken It!
	BLK <input type="checkbox"/> BRN <input type="checkbox"/> ANT BRZ <input type="checkbox"/> SPWTR <input type="checkbox"/> LTBRN <input type="checkbox"/> NNKL <input type="checkbox"/> ANT GLD <input type="checkbox"/> PWHT <input type="checkbox"/>		BLK <input type="checkbox"/> BRN <input type="checkbox"/> ANT BRZ <input type="checkbox"/> SPWTR <input type="checkbox"/> LTBRN <input type="checkbox"/> NNKL <input type="checkbox"/> ANT GLD <input type="checkbox"/> PWHT <input type="checkbox"/>		BLK <input type="checkbox"/> BRN <input type="checkbox"/> LTBRN <input type="checkbox"/> SPWTR <input type="checkbox"/> NNKL <input type="checkbox"/> PCHR <input type="checkbox"/> BNKL <input type="checkbox"/> ANT BRZ <input type="checkbox"/> PWHT <input type="checkbox"/> PNKL <input type="checkbox"/> STGLD <input type="checkbox"/> ANT GLD <input type="checkbox"/>
	BLK <input type="checkbox"/> BRN <input type="checkbox"/> ANT BRZ <input type="checkbox"/> SPWTR <input type="checkbox"/> LTBRN <input type="checkbox"/> NNKL <input type="checkbox"/> ANT GLD <input type="checkbox"/> PWHT <input type="checkbox"/>		BLK <input type="checkbox"/> BRN <input type="checkbox"/> ANT BRZ <input type="checkbox"/> SPWTR <input type="checkbox"/> LTBRN <input type="checkbox"/> NNKL <input type="checkbox"/> ANT GLD <input type="checkbox"/> PWHT <input type="checkbox"/>		BLK <input type="checkbox"/> BRN <input type="checkbox"/> LTBRN <input type="checkbox"/> SPWTR <input type="checkbox"/> NNKL <input type="checkbox"/> PCHR <input type="checkbox"/> BNKL <input type="checkbox"/> ANT BRZ <input type="checkbox"/> PWHT <input type="checkbox"/> PNKL <input type="checkbox"/> STGLD <input type="checkbox"/> ANT GLD <input type="checkbox"/>
	BLK <input type="checkbox"/> BRN <input type="checkbox"/> ANT BRZ <input type="checkbox"/> SPWTR <input type="checkbox"/> LTBRN <input type="checkbox"/> NNKL <input type="checkbox"/> ANT GLD <input type="checkbox"/> PWHT <input type="checkbox"/>		BLK <input type="checkbox"/> BRN <input type="checkbox"/> ANT BRZ <input type="checkbox"/> SPWTR <input type="checkbox"/> LTBRN <input type="checkbox"/> NNKL <input type="checkbox"/> ANT GLD <input type="checkbox"/> PWHT <input type="checkbox"/>		BLK <input type="checkbox"/> BRN <input type="checkbox"/> LTBRN <input type="checkbox"/> SPWTR <input type="checkbox"/> NNKL <input type="checkbox"/> PCHR <input type="checkbox"/> BNKL <input type="checkbox"/> ANT BRZ <input type="checkbox"/> PWHT <input type="checkbox"/> PNKL <input type="checkbox"/> STGLD <input type="checkbox"/> ANT GLD <input type="checkbox"/>

Iron Art Line Finishes : Black (BLK), Brown (BRN), Light Brown (LTBRN), New Nickel (NNKL), Antique Bronze (ANT BRZ), Antique Gold (ANT GLD), Soft Pewter (SPWTR), Pure White (PWHT)
Italian Line Finishes : Polished Chrome (PCHR), Brushed Nickel (BNKL), Polished Nickel (PNKL), Satin Gold (STGLD)

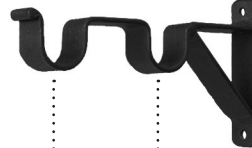
MEASUREMENT GUIDELINES



FINIAL 501
L = Length
H = Height
Interior Fit



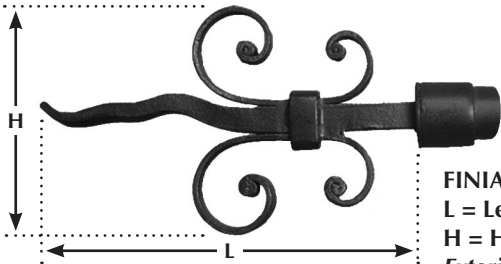
BRACKET 1028-RND
P = Projection



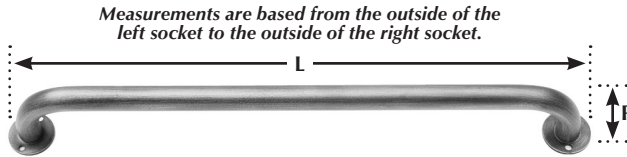
BRACKET 1024DBWS-RND
P = Projection



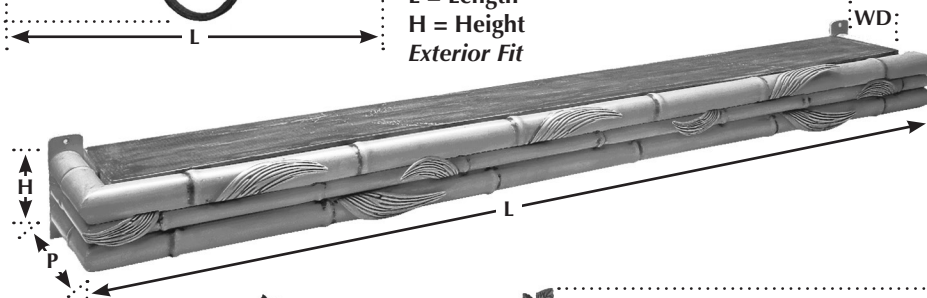
WOOD BRACKET AMERICAN 5045S
P = Projection



FINIAL 991
L = Length
H = Height
Exterior Fit



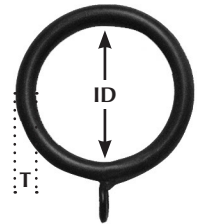
ROD WITH RETURN 264
L = Length
P = Projection



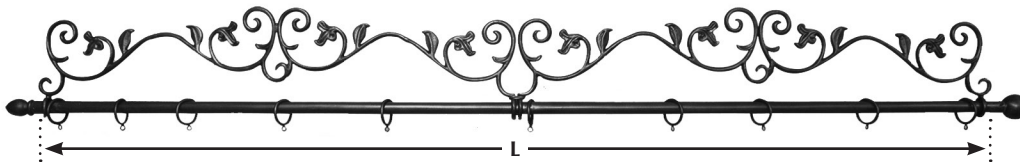
DECORATIVE CORNICE BAMBOO 9040
L = Length
H = Height
P = Projection
WD = Wood Duster



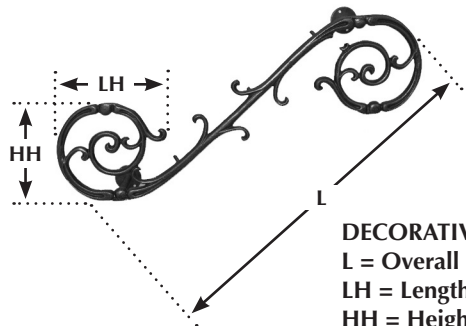
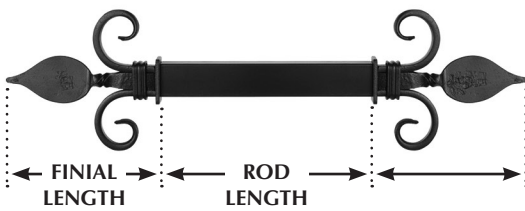
DECORATIVE ROD 254 H = Height • D = Diameter



RING 350
ID = Internal Diameter
T = Thickness

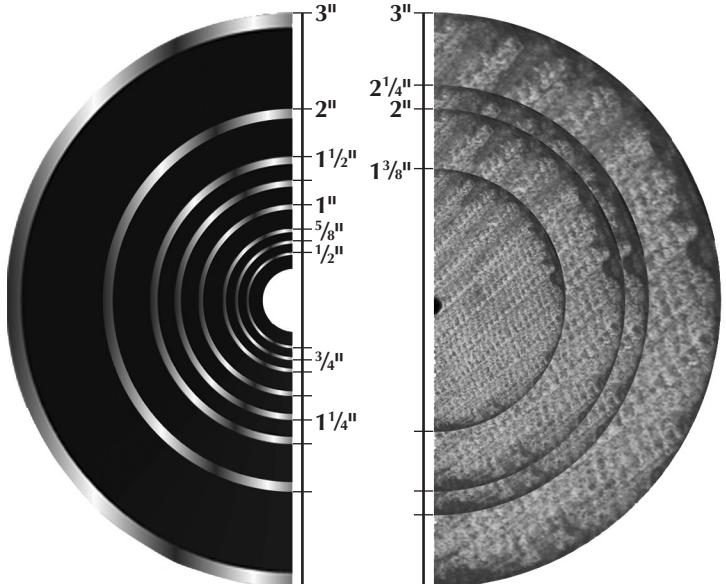


DECORATIVE ROD 280 L = Length



DECORATIVE SCROLL 267
L = Overall Length
LH = Length of Head
HH = Height of Head

IRON ROD AND WOOD POLE DIAMETERS



NOTES

A series of horizontal dotted lines for writing notes.

Iron Art™ by ORION

YOUR ORDER GETS US STARTED.

You choose the hardware, and then select from any of our 36 Iron Art™ finishes, 13 Italian Collection finishes, 6 Tropical Collection finishes, 11 Wood Art finishes or create your own custom color. We hand-make each order to your exact, individual specifications every time.



Made in USA

From design concept, to final and rod styles including manual and motorized traversing, to the final hand-painting, Orion products are hand-made just for you by our master artisans right here in the USA.

Celebrate Your Creativity

From elegantly simple to exquisitely detailed, customization is our specialty. Orion is your gateway to hand crafted, exclusive decorative drapery hardware collections. Whether you are a traditionalist or contemporary is your design vibe, our craftsmen turn your ideas and specifications into reality. Whatever your material of choice - iron, wood, metal, acrylic or crystal- expect innovative, high quality drapery hardware products to-the-trade.



"Our world revolves around you!"

Your complete delight in our products and service, from start to finish, is our single most important goal. We say, "Our world revolves around you." – and we mean it. That's why we always ask for your feedback. We know we are only practically perfect, but we keep trying. Please review our products and services at <https://www.ironartbyorion.com/support-feedback>



We believe in making a difference. As part of our sustainable vision, we created Orion Green to support organizations involved in efforts for a better and ecologically healthier planet. That's why we offer you a chance to join us in support of these causes. As an Orion Green member, \$1.00 will be added to each of your invoices as your donation to this program. Orion will match \$1 toward Earth Island Institute. Plus, for every Orion Order Form received digitally in 2024, we will also donate \$1 to Earth Island Institute <https://www.earthisland.org>



ORION

ORNAMENTAL IRON, INC.



March 2024 Reprint



Made in USA

