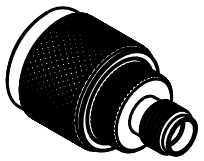
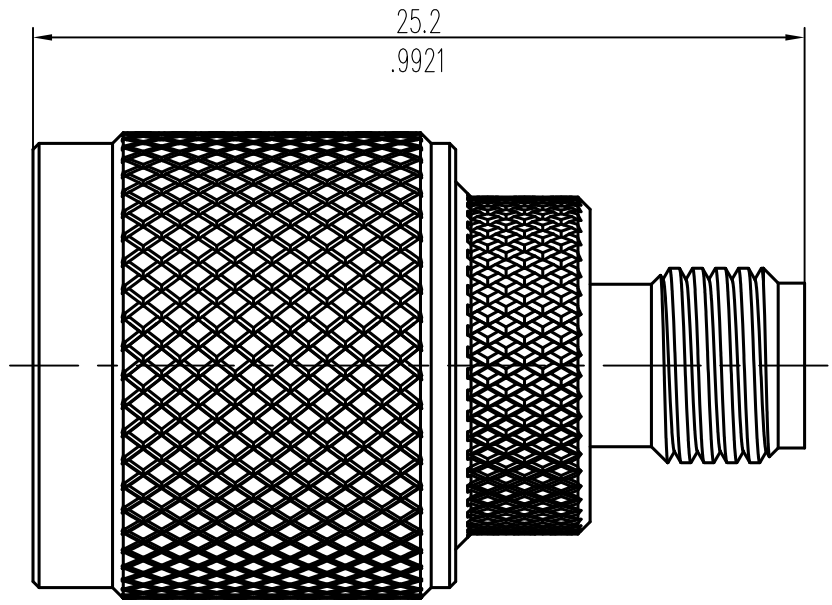



1		2		3		4		5		6	
TECHNICAL SPECIFICATION			MATERIAL			FINISH					
FREQUENCY RANGE		DC~18GHz	Inner conductor	Beryllium copper		Gold					
IMPEDANCE		≥5000MΩ	Insulator	PEI		—					
OPERATING TEMP		-55℃~+70℃	Body	Stainless steel 303		Passivated					
VSWR		≤1.25	Nut	Stainless steel 303		Passivated					



UNLESS OTHERWISE SPECIFIED  
 1) ALL DIMENSIONS ARE AFTER PLATING.  
 2) BREAK CORNERS & EDGES.005 R. MAX.  
 3) CHAM. 1ST & LAST THREADS.  
 4) SURFACE ROUGHNESS 63 √ MIL-STD-10.  
 5) DIA S ON COMMON CENTERS TO BE CONCENTRIC WITHIN .004 T.I.R.  
 6) REMOVE ALL BURRS

DRAWN:  
 CHECKED:  
 STANDARDIZATION:  
 APPROVED:



**LANJIAN ELECTRONICS, INC**

DWG.NO. TNC-SMA-MF

TITLE: SIZE 4:1

CAGE CODE: SHEET 1/1

PROPRIETARY  
 THE INFORMATION CONTAINED IN THIS DRAWING IS THE SOLE PROPERTY OF LANJIAN, INC. WITHOUT THE WRITTEN PERMISSION OF LANJIAN ELECTRONICS, INC IS PROHIBITED.

A

A

B

B

C

C

D