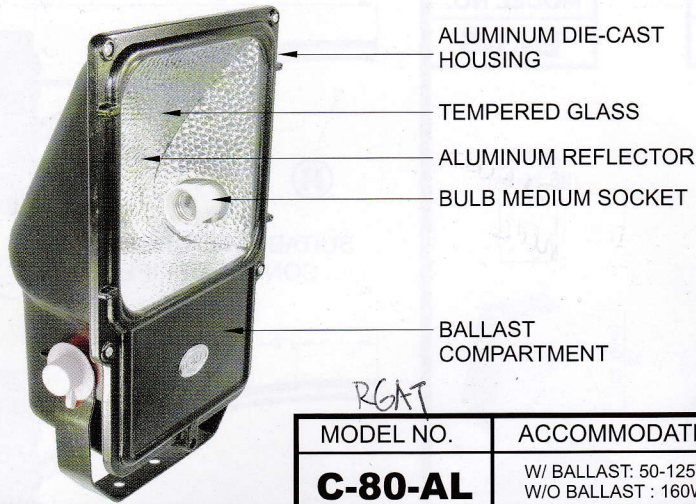


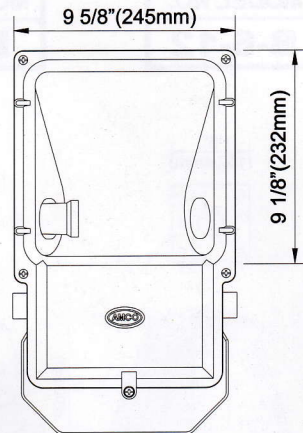
# AMCO ALUMINUM DIE CAST FLOODLIGHT

(FOR MERCURY, METAL HALIDE & SODIUM BULB)

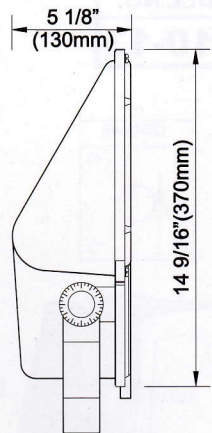


*RGAT*

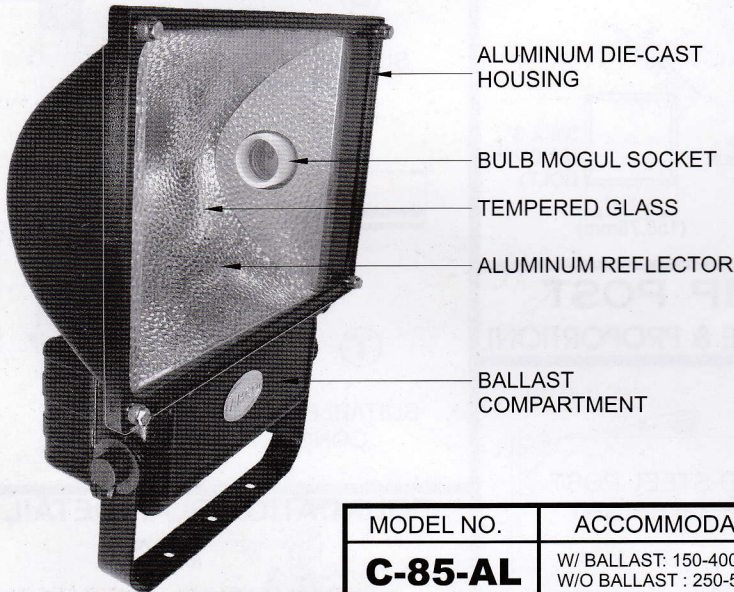
MODEL NO.	ACCOMMODATE
<b>C-80-AL</b>	W/ BALLAST: 50-125W W/O BALLAST : 160W



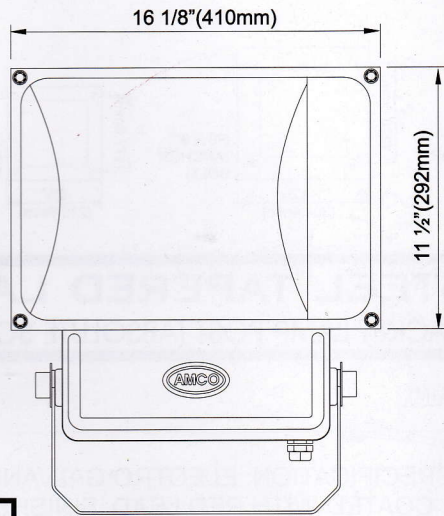
FRONT VIEW



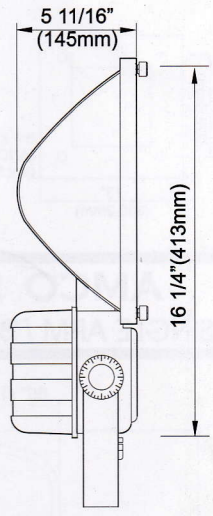
SIDE VIEW



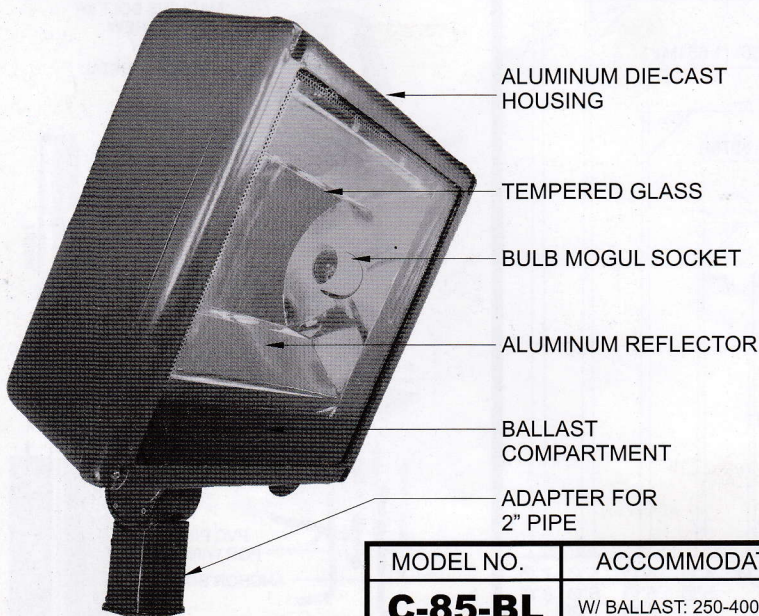
MODEL NO.	ACCOMMODATE
<b>C-85-AL</b>	W/ BALLAST: 150-400W W/O BALLAST : 250-500W



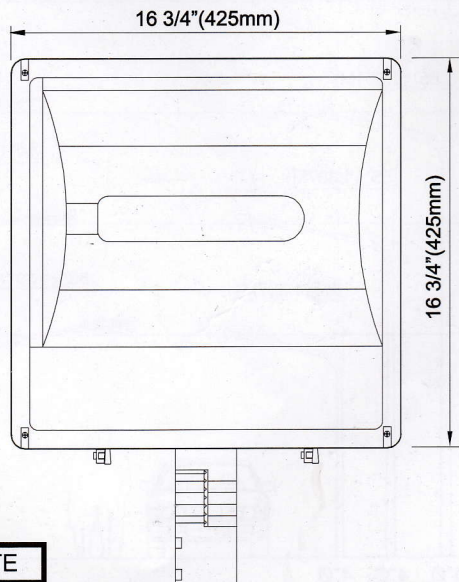
FRONT VIEW



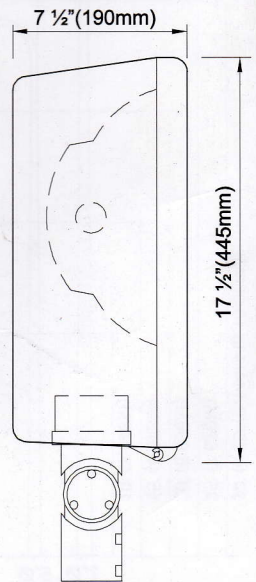
SIDE VIEW



MODEL NO.	ACCOMMODATE
<b>C-85-BL</b>	W/ BALLAST: 250-400W



FRONT VIEW



SIDE VIEW