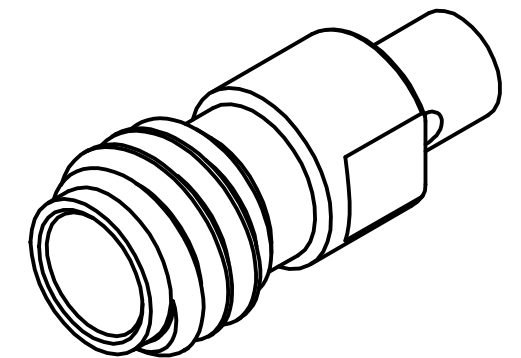
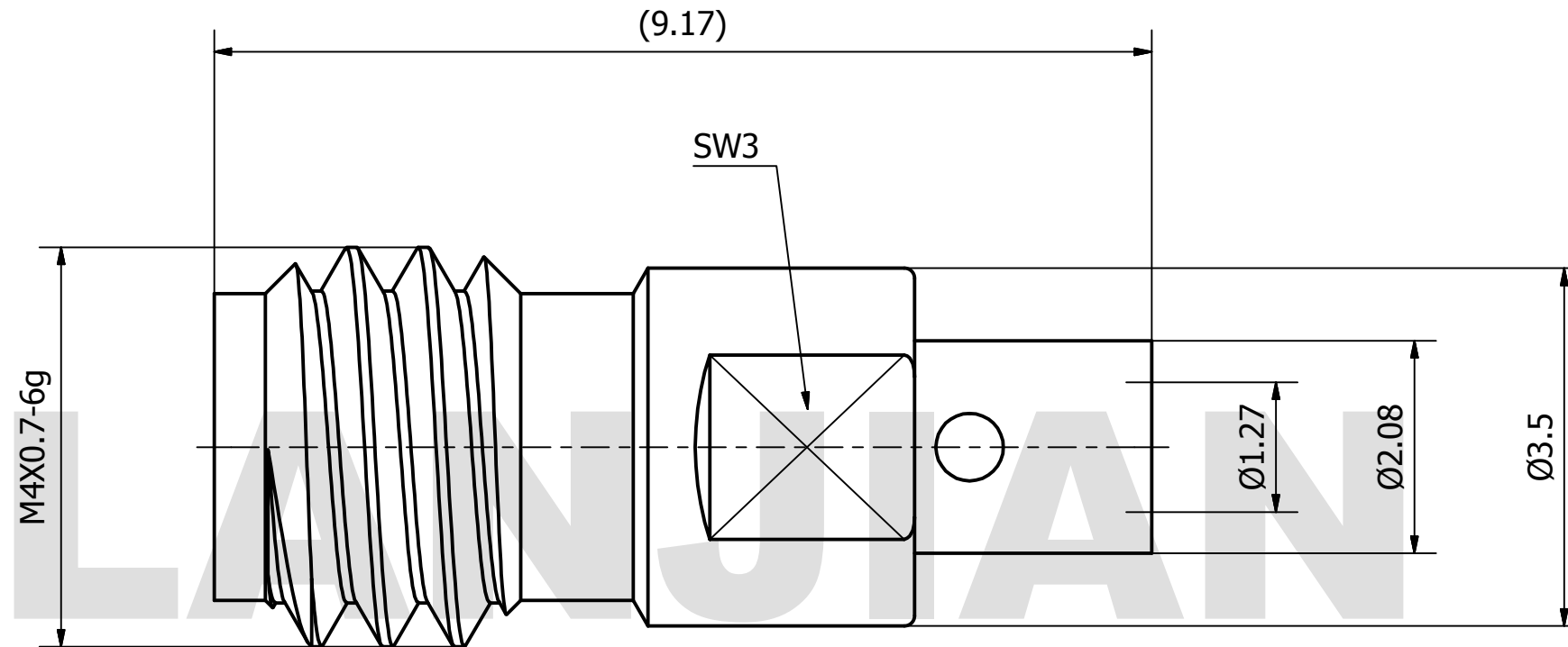


PRODUCT DATA SHEET



MATERIAL:
 BODY: BRONZE
 CONTACT: BERYLLIUM COPPER PER ASTM B196.
 ALLOY NO. UNS C17300
 INSULATOR: PEI

PERFORMANCE:
 IMPEDANCE: 50 OHMS
 FREQUENCY: DC TO 110 GHz
 VSWR: ≤ 1.50

THIS DOCUMENT CONTAINS CONFIDENTIAL AND PROPRIETARY INFORMATION THAT CANNOT BE REPRODUCED OR DIVULGED, IN WHOLE OR IN PART, WITHOUT WRITTEN AUTHORIZATION FROM "LANJIAN ELECTRONICS"	MATERIAL :			 38 Hengtong Road, Xinqu Dingmao Zhenjiang, 212009, Jiangsu, P. R. China	
	UNLESS OTHERWISE SPECIFIED: DIMENSIONS IN MM				
	TOLERANCES :				
	X.X	± 0.20	ANGULAR : $\pm 1^\circ$		DEBURR AND BREAK SHARP EDGES
	X.XX	± 0.10	FILLETS R/C : ± 0.10		
	X.XXX	± 0.01	SURFACE FINISH : Ra 1.6		
		NAME	DATE	SIGNATURE	
	DRAWN	YaoJiang	08/14/2018		
	CHK'D	HongZhongYan	08/14/2018		
	APPV'D	HongZhongYan	08/14/2018		
MFG					
PROJECTION		SIZE	SCALE	DWG No.	REV.
		A3	15: 1	GCPZ3.660.V.007	A
DO NOT SCALE THE DRAWING				PAGE	1 / 1