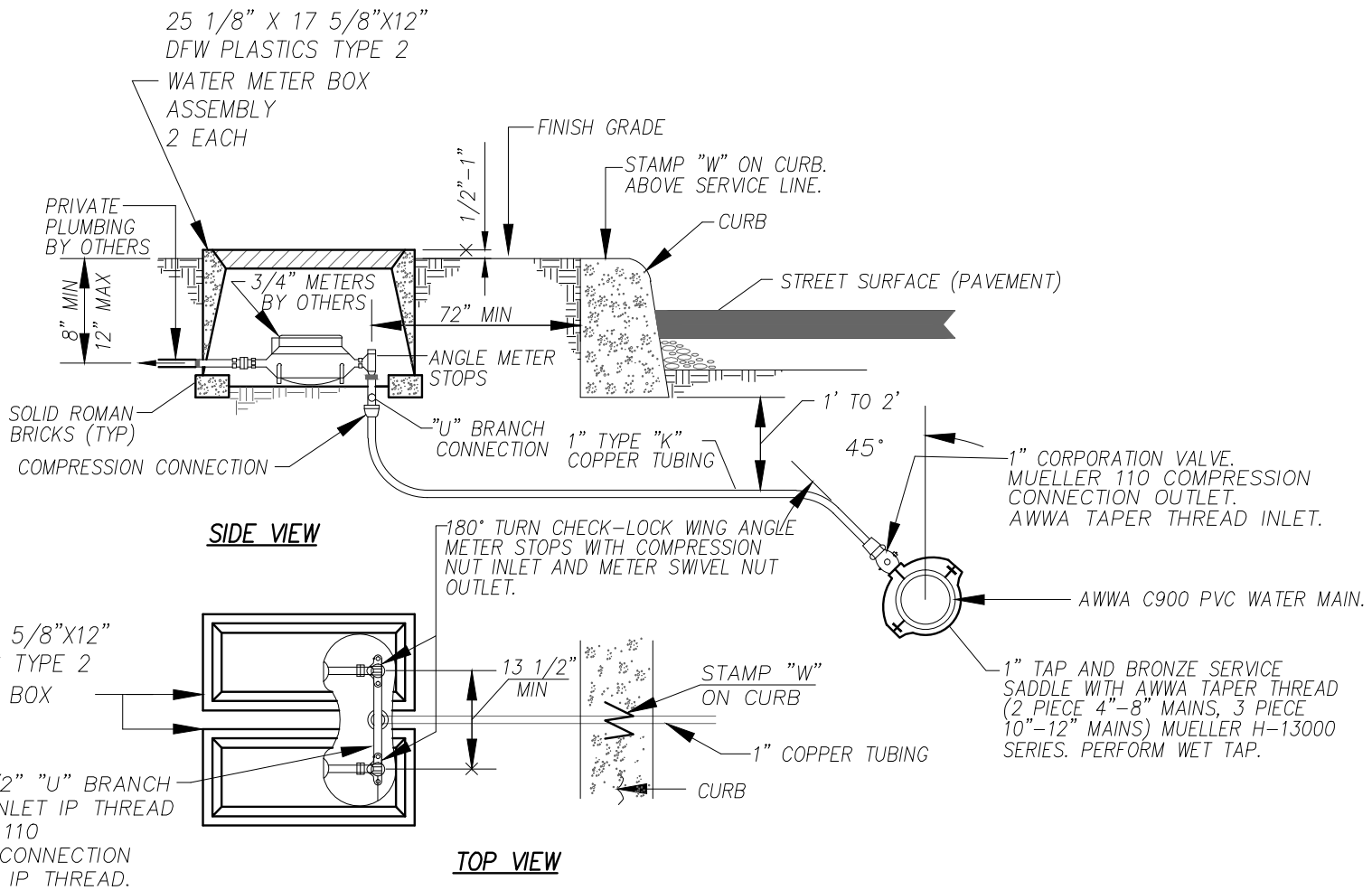


JOHNSON UTILITIES, LLC
 CONSTRUCTION SPECIFICATIONS
 REV 06/20



1" SPLIT DOUBLE WATER SERVICE INSTALLATION DETAIL

(OR APPROVED EQUAL)

N.T.S.