



D Systems Residential Fire Pump

R/DRC10-1/1/15

13R-C Pump Submittal Data –10HP

13R-C Package

Pump Data

10HP 8-27/64 Imp. Single Stage Centrifugal Pump

Built-In Overload With Auto-Reset Provided

45amp 230V Single Phase UL Motor

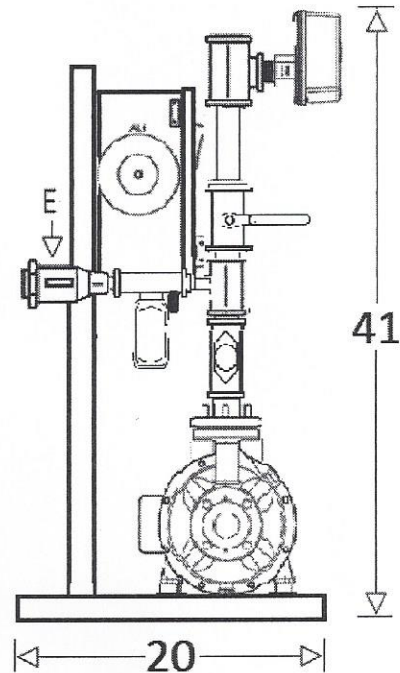
2" Flange Suction

Pump Flow

GPM	0	40	60	80	100	150
PSI	113	107	103	95	86	59

Model F-SH10-RC

Attention! This package uses an un-listed pump. For 13R application, be sure AHJ has approved use!



Components

- A. Flow Switch
- B. 1-1/2 F IPT Galvanized Riser
- C. UL Listed Residential Fire Pump Controller
- D. Supervised Control Valve
- E. Bypass Line with 3/4 F IPT Backflow Preventer
- F. Manual back up Water Pressure Gauge
- G. Electronic Pressure Transducer
- H. Powder Coated Steel Frame
- I. SH10HP UL Motor Stainless Pump

Optional equipment

- J. 1-1/2 Butterball Tamper Switch

