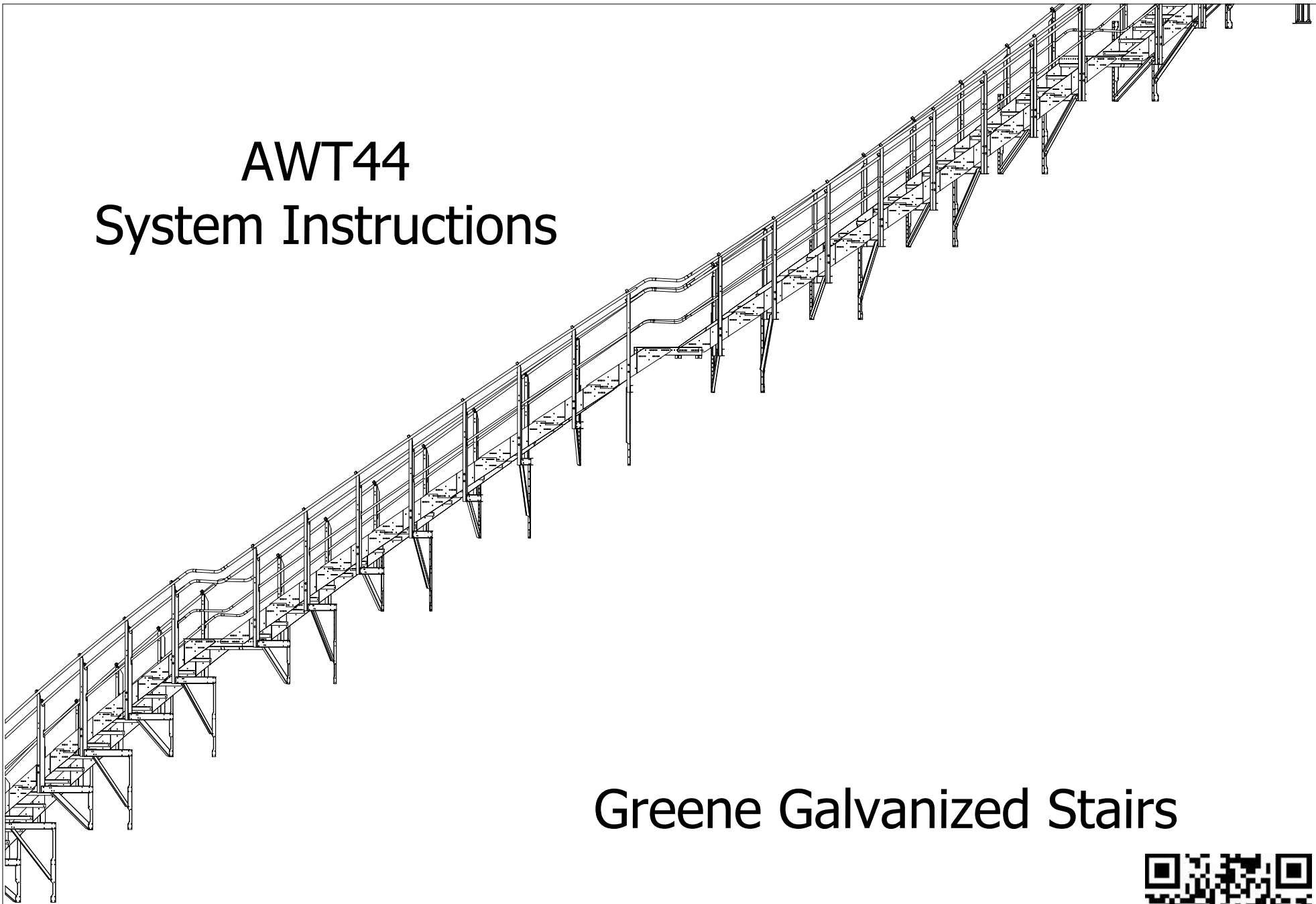


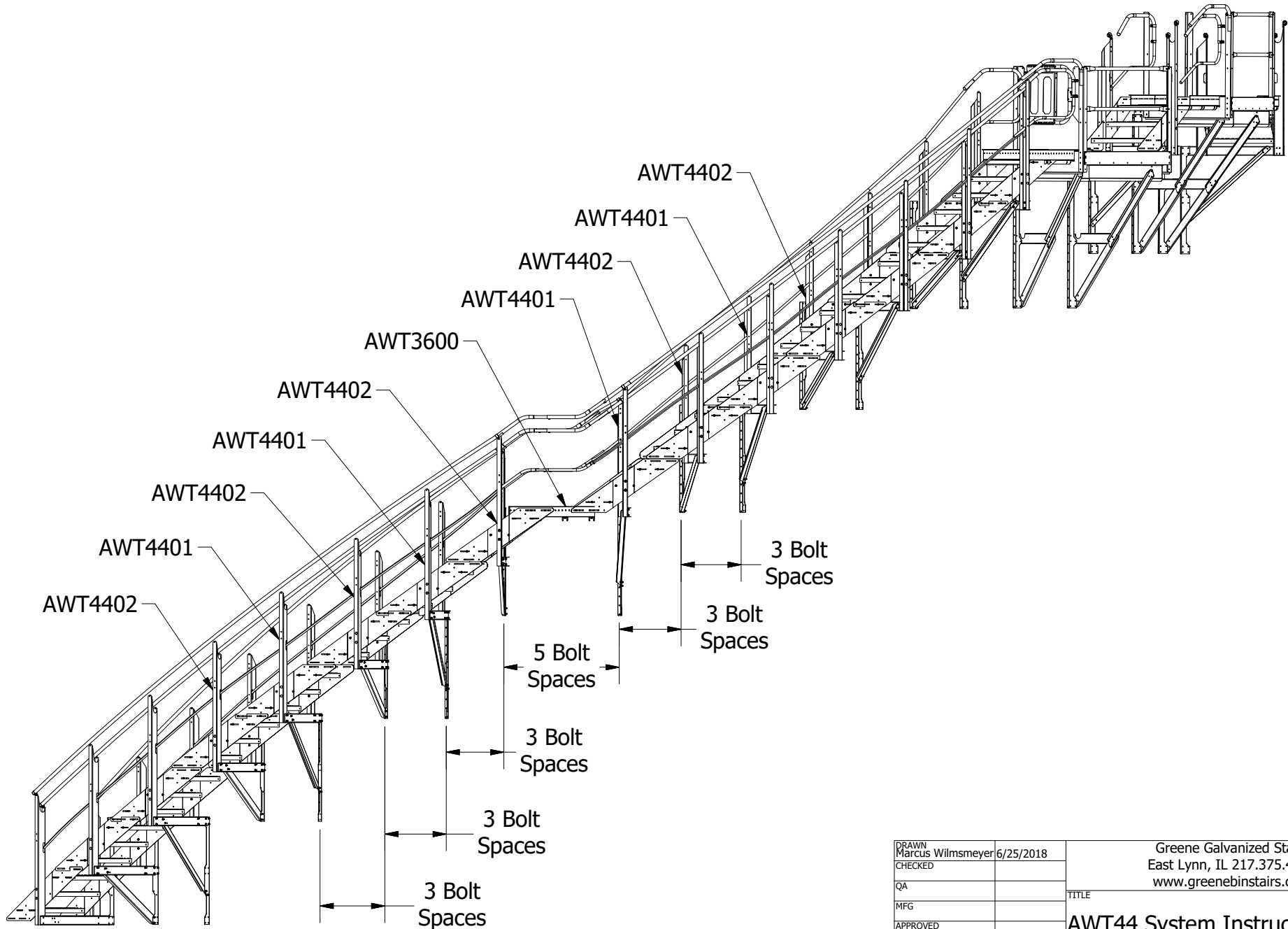
AWT44 System Instructions



Greene Galvanized Stairs

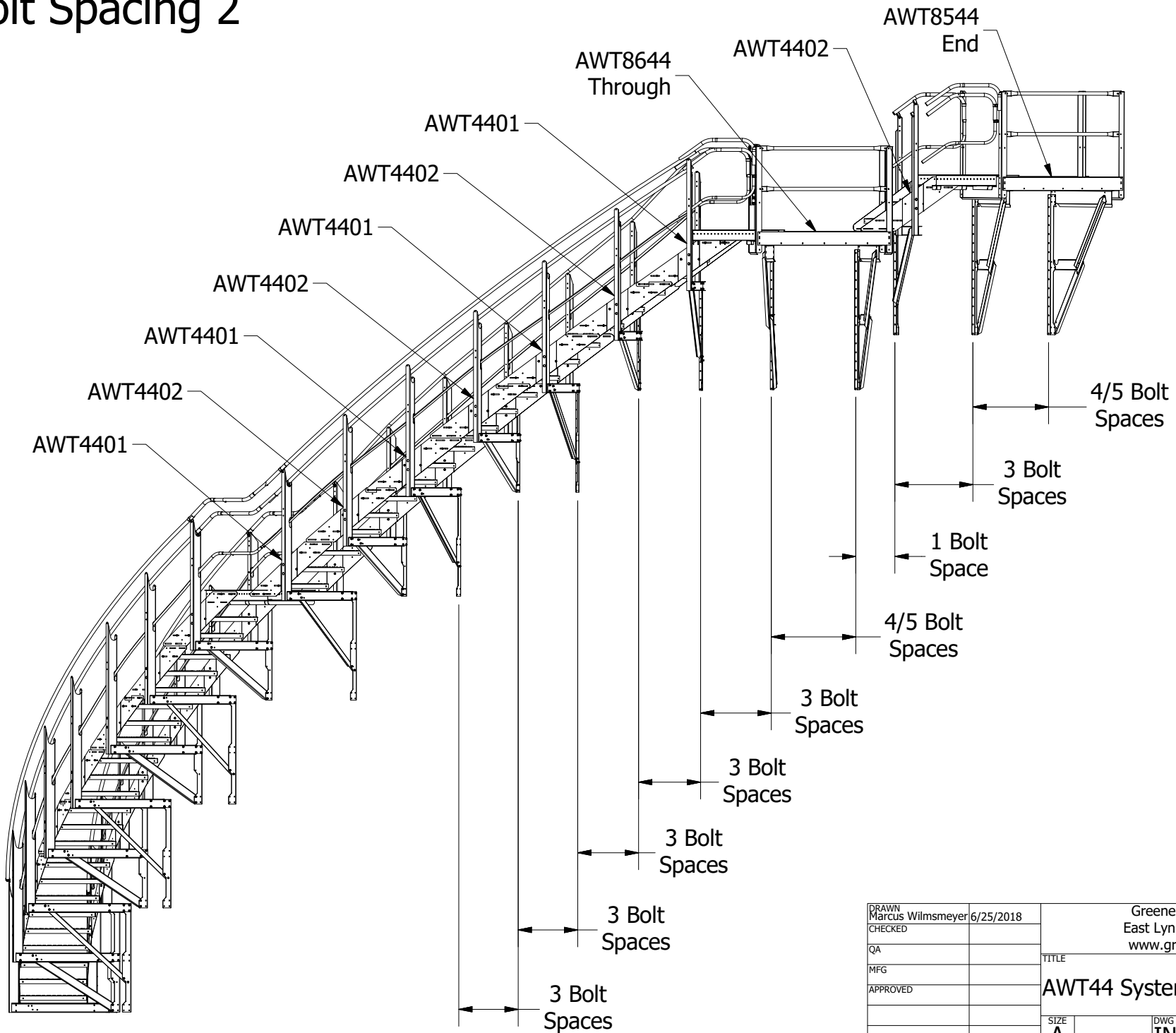


Bolt Spacing 1



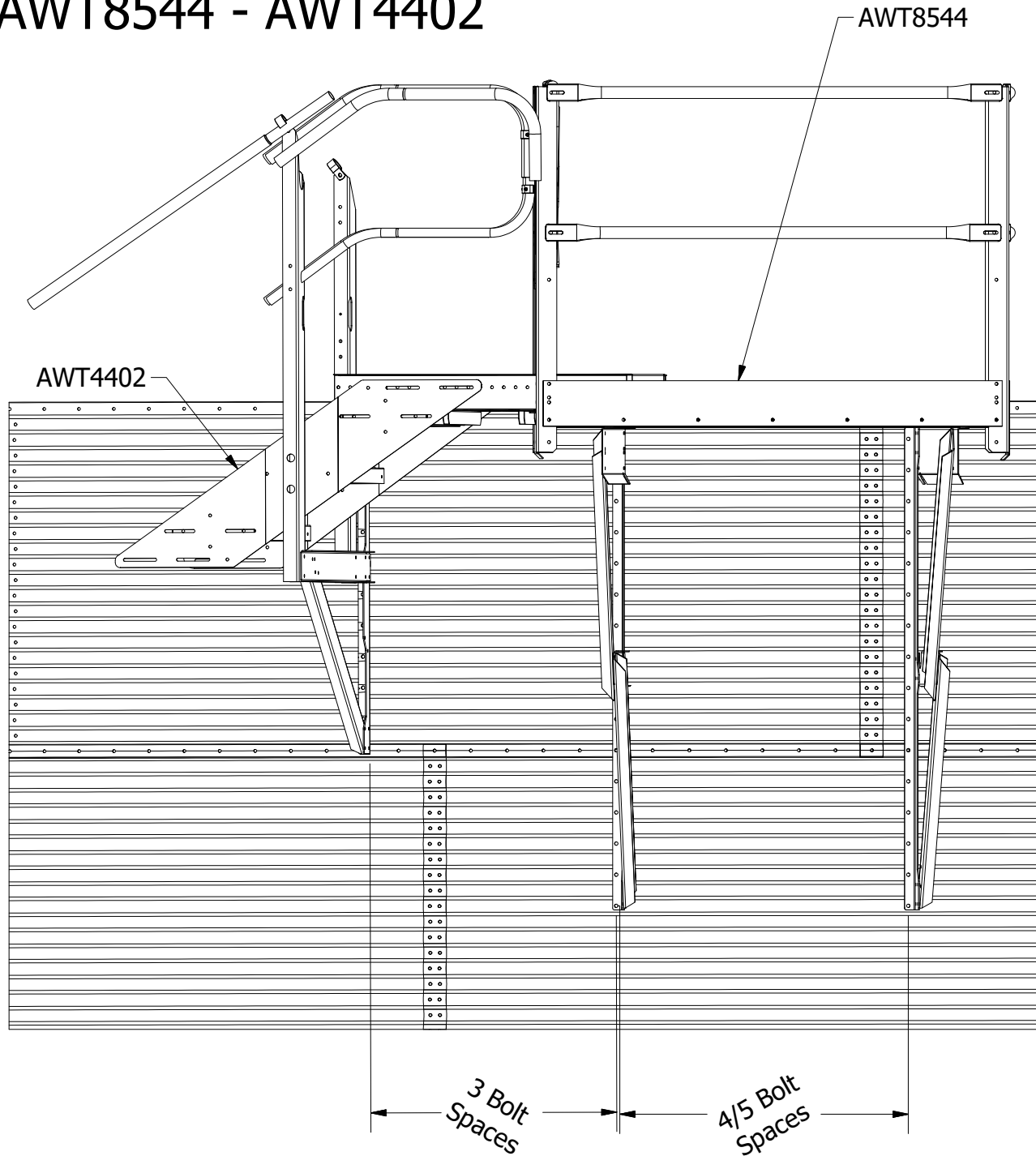
DRAWN Marcus Wilmsmeyer 6/25/2018	Greene Galvanized Stairs East Lynn, IL 217.375.4244 www.greenebinstairs.com	
CHECKED	TITLE	
QA	AWT44 System Instructions	
MFG	SIZE A	DWG NO IN-AWT44-SYS
APPROVED	SCALE 1/60	REV
	SHEET 2	OF 7

Bolt Spacing 2



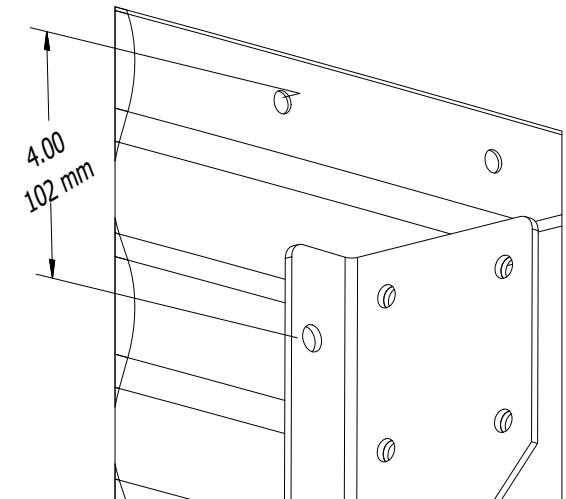
DRAWN Marcus Wilmsmeyer 6/25/2018	Greene Galvanized Stairs East Lynn, IL 217.375.4244 www.greenebinstairs.com	
CHECKED	TITLE	
QA	AWT44 System Instructions	
MFG	SIZE A	DWG NO IN-AWT44-SYS
APPROVED	SCALE 1 / 60	REV
	SHEET 3 OF 7	

AWT8544 - AWT4402



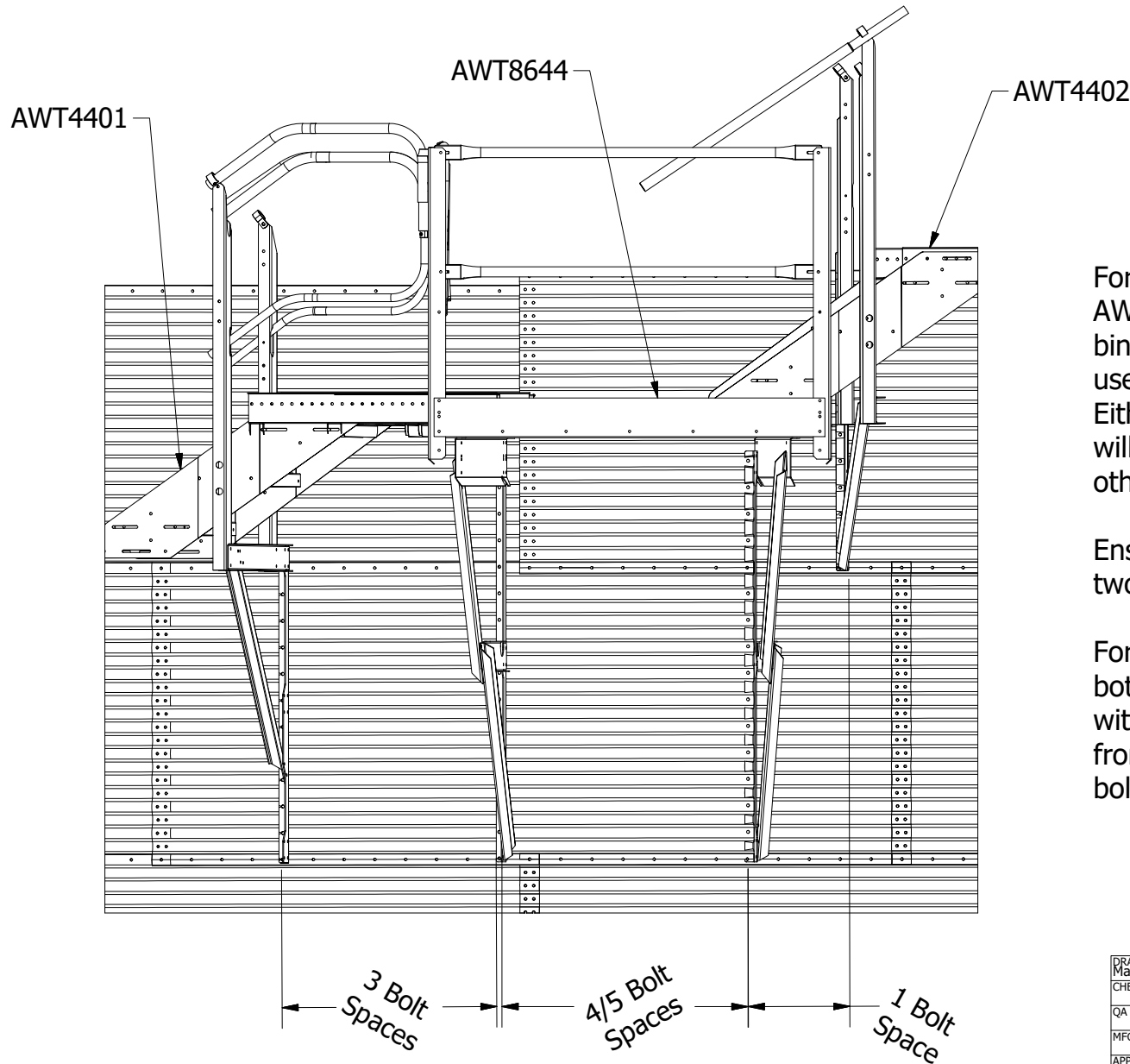
For the bracket placement of both the AWT8544 and AWT8644, use 4 bolt spaces for bin diameters of 48' (18.3 m) and smaller, and used 5 bolt spaces for bins larger than 48'. Either configuration will work, if interference will occur with one bolt spacing and not the other.

For the vertical placement of the AWT8544, locate the top hole on the top bin sheet. The top hole on an AWT8544 wall bracket will sit approximately 4" (102 mm) below this. The sixth bolt hole from the bottom on the bracket will align with the lowest hole on the top bin sheet. Each bracket requires eight bolts, which will need to be drilled.



DRAWN Marcus Wilmsmeyer 6/25/2018 CHECKED QA MFG APPROVED	Greene Galvanized Stairs East Lynn, IL 217.375.4244 www.greenebinstairs.com
	TITLE
	AWT44 System Instructions
SIZE A	DWG NO IN-AWT44-SYS
SCALE 1/20	SHEET 4 OF 7

AWT4402 - AWT8644 - AWT4401



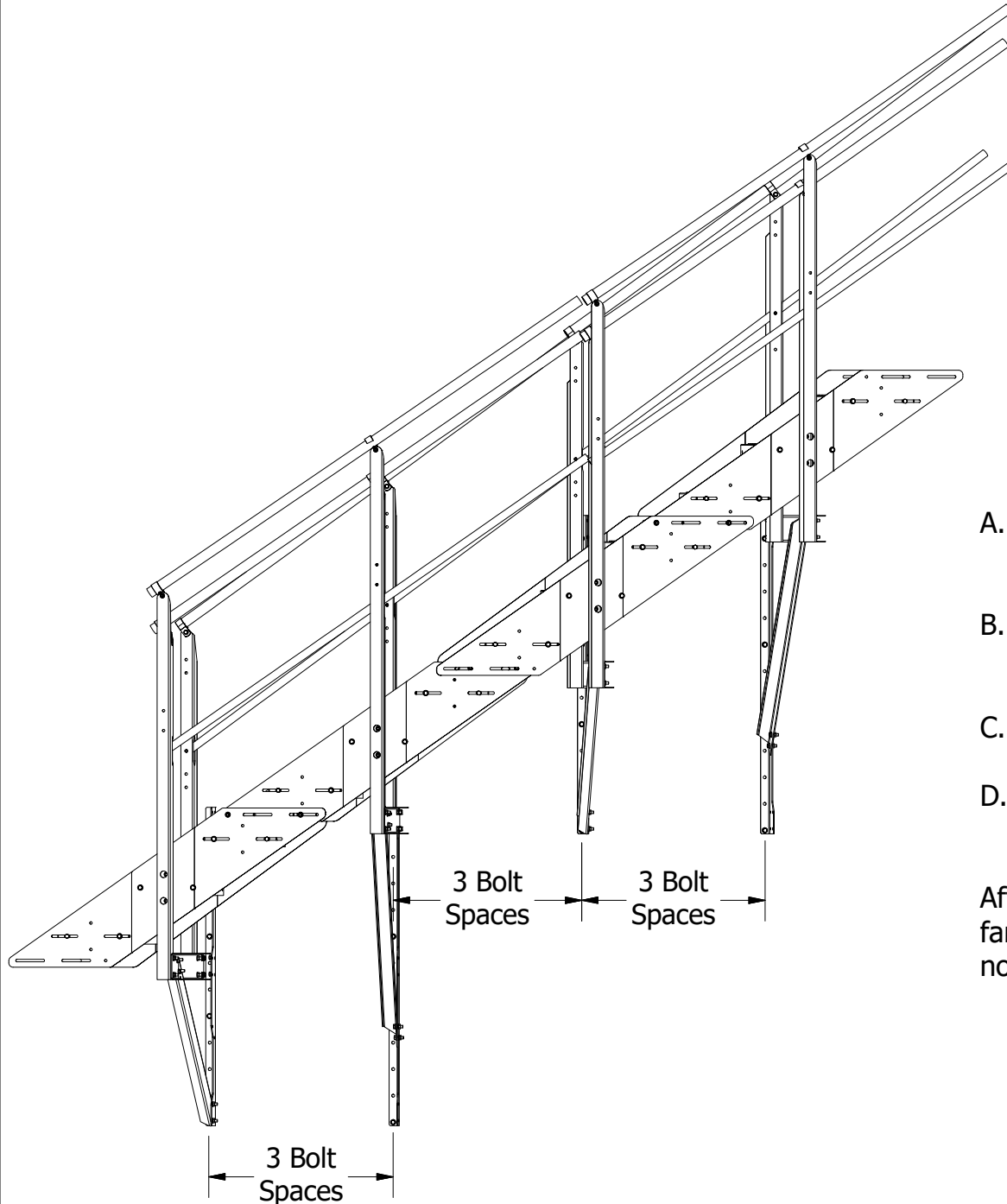
For the bracket placement of both the AWT8544 and AWT8644, use 4 bolt spaces for bin diameters of 48' (18.3 m) and smaller, and used 5 bolt spaces for bins larger than 48'. Either configuration will work, if interference will occur with one bolt spacing and not the other.

Ensure the 8644 platform is centered over the two wall brackets.

For the vertical placement of the AWT8644, the bottom bolt hole on the brackets will line up with the bottom bolt hole on the second sheet from the roof. Each bracket requires eight bolts, which will need to be drilled.

DRAWN Marcus Wilmsmeyer	6/25/2018	Greene Galvanized Stairs East Lynn, IL 217.375.4244 www.greenebinstairs.com	
CHECKED		TITLE	
QA		AWT44 System Instructions	
MFG		SIZE	DWG NO
APPROVED		A	IN-AWT44-SYS
		SCALE	1/25
		SHEET	5 OF 7
		REV	

AWT4400 - AWT4400



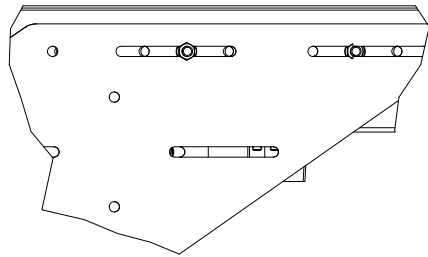
- A. The top and bottom bolt holes on an AWT4400 wall bracket will line up with the top and bottom bolt holes on a 44" sheet.
- B. The spacing between AWT4400 sections is three (3) bolt spaces per section, which comes out to be approximately 28.125 inches (714 mm).
- C. Each section is connected to another by using four (4) 3/8" Flange Bolts and four (4) 3/8" Lock Nuts.
- D. Each section needs to be secured to the bin using four (4) 3/8" Bin Bolts and four (4) 3/8" Lock Nuts.

After the stairs are in position, ensure the treads are fanned out equally. The minimum tread depth should be no less than 9.5" (241 mm).

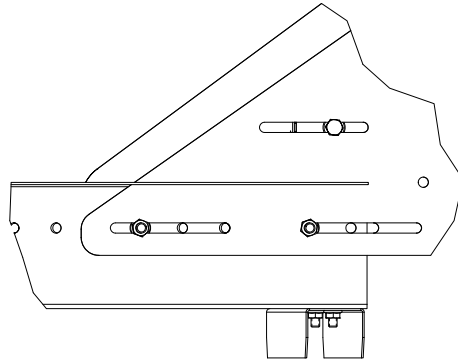
DRAWN Marcus Wilmsmeyer	6/25/2018	Greene Galvanized Stairs East Lynn, IL 217.375.4244 www.greenebinstairs.com	
CHECKED		TITLE	
QA		AWT44 System Instructions	
MFG		SIZE A	DWG NO IN-AWT44-SYS
APPROVED		SCALE 1/25	REV
		SHEET 6	OF 7

AWT4401 - AWT3600 - AWT4402

DETAIL A

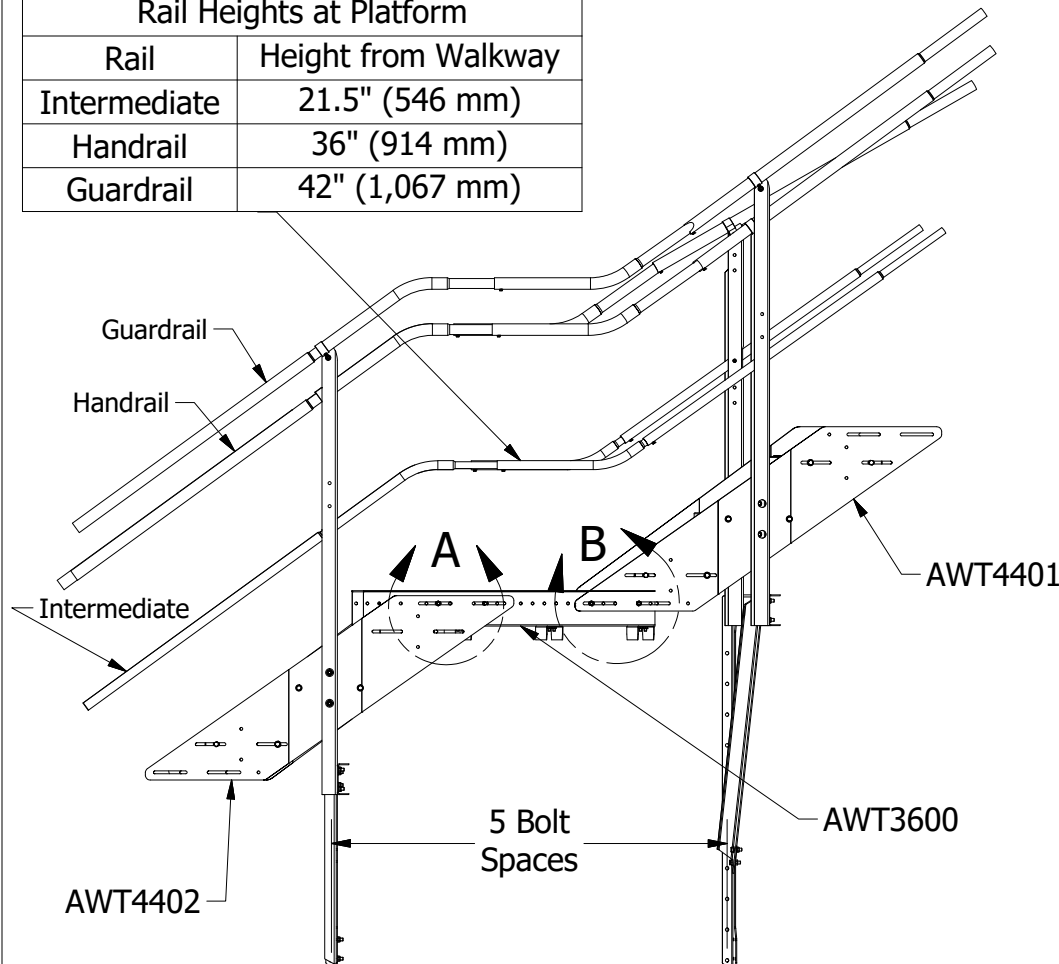


DETAIL B

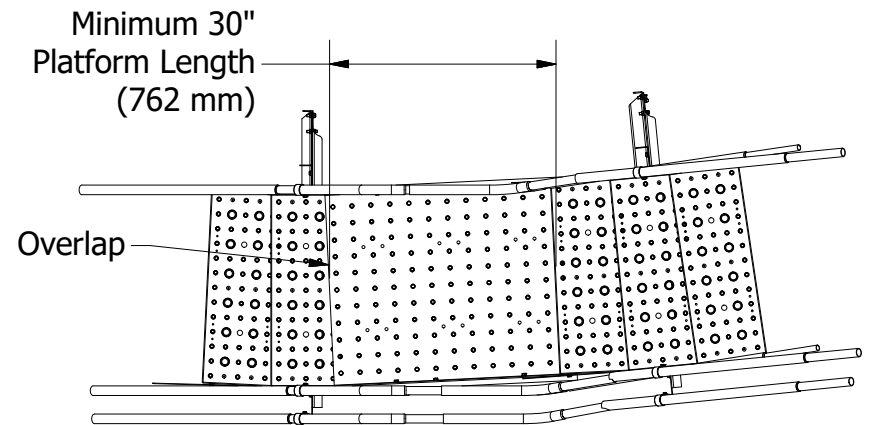


Rail Heights at Platform

Rail	Height from Walkway
Intermediate	21.5" (546 mm)
Handrail	36" (914 mm)
Guardrail	42" (1,067 mm)



- A. The bolt spacing for the rest landing platform should take 5 bolt spaces between AWT4400 wall brackets.
- B. The rest landing can be placed either in the middle (height) of a sheet, or at the top of a sheet. The parts provided and the method works for both.
- C. The AWT3600 platform will replace the top tread on a set of three stairs (either AWT4401 or AWT4402).
- D. The AWT3600 platform should overlap the stair below it, when looking at it from above.
- E. To bolt the AWT3600 to the AWT4400 stair sections, refer to Details A and B for approximate hole locations.
- F. Secure in place using eight (8) 3/8" Flange Bolts and eight (8) 3/8" Lock Nuts.



DRAWN Marcus Wilmsmeyer 6/25/2018	Greene Galvanized Stairs East Lynn, IL 217.375.4244 www.greenebinstairs.com	
CHECKED	TITLE	
QA	AWT44 System Instructions	
MFG	SIZE A	DWG NO IN-AWT44-SYS
APPROVED	SCALE 1/25	REV
		SHEET 7 OF 7