



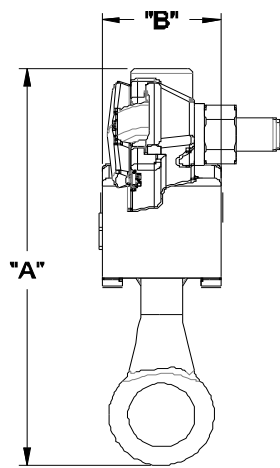
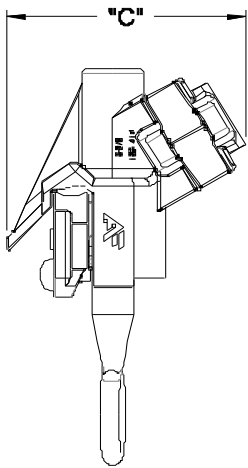
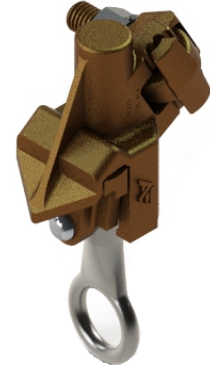
ALUMA-FORM®

Hot Line Clamps

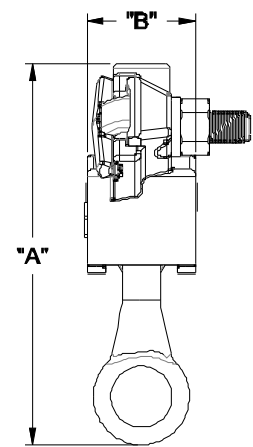
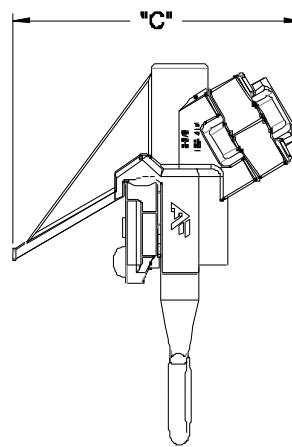
Line tools compatible for distribution tap connections

Key Features

- Bronze Alloy Material
- Extended Jaw
- Stainless Steel Eyebolts
- Test per ANSI C119.4



STANDARD



"LD" STYLE

Catalog Name	Description	Conductor Range		Dimensions Information			Box QTY
		Main	Tap	A	B	C	
AF-BC20	Bronze Hot Line Clamp #8-2/0	#8 Solid - 2/0 Stranded .125" - .414"	#8 Solid - 2/0 Stranded .125" - .414"	4-5/16"	1-1/4"	2-1/2"	25
AF-BC20-XB	Bronze Hot Line Clamp #8-2/0 - Oxide Inhibitor	#8 Solid - 2/0 Stranded .125" - .414"	#8 Solid - 2/0 Stranded .125" - .414"	4-5/16"	1-1/4"	2-1/2"	25
AF-BC20LD	Bronze Hot Line Clamp #8-2/0 - Long Duck Bill	#8 Solid - 2/0 Stranded .125" - .414"	#8 Solid - 2/0 Stranded .125" - .414"	4-5/16"	1-1/4"	3-5/16"	25
AF-BC20-TP	Bronze Hot Line Clamp #8-2/0 - Tin Plated	#8 Solid - 2/0 Stranded .125" - .414"	#8 Solid - 2/0 Stranded .125" - .414"	4-5/16"	1-1/4"	2-1/2"	25
AF-1530	Bronze Hot Line Clamp #6-400MCM	#6 Solid - 4/0 Stranded .162" - .547"	#6 Solid - 4/0 Stranded .162" - .547"	7-1/4"	1-1/4"	2-13/16"	25
AF-1530TP	Bronze Hot Line Clamp #6-400MCM - Tin Plated	#6 Solid - 4/0 Stranded .162" - .547"	#6 Solid - 4/0 Stranded .162" - .547"	7-1/4"	1-1/4"	2-13/16"	25
AF-1540	Bronze Hot Line Clamp 4/0-800	#4/0 - 800 MCM .502" - 1.031"	#4 - 350	6-5/8"	4-7/8"	2-13/16"	25
AF-1540TP	Bronze Hot Line Clamp 4/0-800 - Tin Plated	#4/0 - 800 MCM .502" - 1.031"	#4 - 350	6-5/8"	4-7/8"	2-13/16"	25



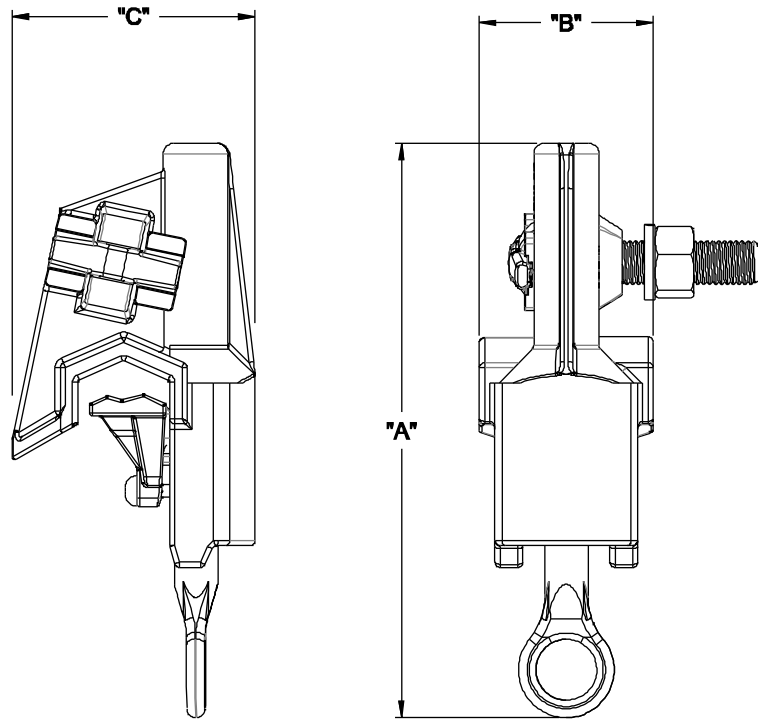
ALUMA-FORM®

Hot Line Clamps

Line tools compatible for distribution tap connections

Key Features

- Aluminum Alloy Material
- Extended Jaw
- Stainless Steel Eyebolts
- Test per ANSI C119.4



Catalog Name	Description	Conductor Range		Dimensions Information			Box QTY
		Main	Tap	A	B	C	
AF-1520AGP	Aluminum Hot Line Clamp #8-2/0	#8 Solid - 2/0 Stranded .125" - .414"	#8 Solid - 2/0 Stranded .125" - .414"	4-5/16"	1-1/4"	2-1/2"	25
AF-1520AGP-XB	Aluminum Hot Line Clamp #8-2/0 - Oxide Inhibitor	#8 Solid - 2/0 Stranded .125" - .414"	#8 Solid - 2/0 Stranded .125" - .414"	4-5/16"	1-1/4"	2-1/2"	25
AF-1530AGP	Aluminum Hot Line Clamp #6-400MCM	#6 Solid - 397.5 .162" - .745"	#6 Solid - 3/0 Stranded .162" - .547"	6-3/16"	1-3/4"	2-1/2"	25
AF-1530AGP-XB	Aluminum Hot Line Clamp #6-400MCM - Oxide Inhibitor	#6 Solid - 397.5 .162" - .745"	#6 Solid - 3/0 Stranded .162" - .547"	6-3/16"	1-3/4"	2-1/2"	25
AF-1534AGP	Aluminum Hot Line Clamp #6-400MCM - Heavy Hex Nut	#6 Solid - 397.5 .162" - .745"	#6 Solid - 3/0 Stranded .162" - .547"	6-3/16"	1-3/4"	2-1/2"	25
AF-1534AGP-XB	Aluminum Hot Line Clamp #6-400MCM - Heavy Hex Nut and Oxide Inhibitor	#6 Solid - 397.5 .162" - .745"	#6 Solid - 3/0 Stranded .162" - .547"	6-3/16"	1-3/4"	2-1/2"	25
AF-1540AGP	Aluminum Hot Line Clamp 4/0-800	#4/0 - 800 MCM .502" - 1.031"	#8 Solid - 2/0 Stranded .198" - .703"	6-5/8"	2"	2-13/16"	25
AF-1540AGP-XB	Aluminum Hot Line Clamp 4/0-800 - Oxide Inhibitor	#4/0 - 800 MCM .502" - 1.031"	#8 Solid - 2/0 Stranded .198" - .703"	6-5/8"	2"	2-13/16"	25