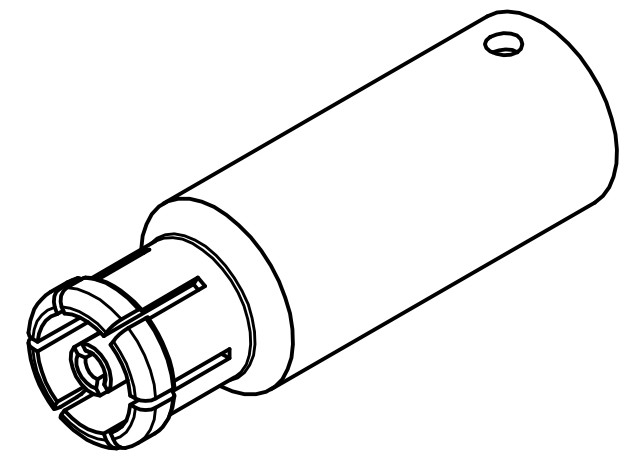
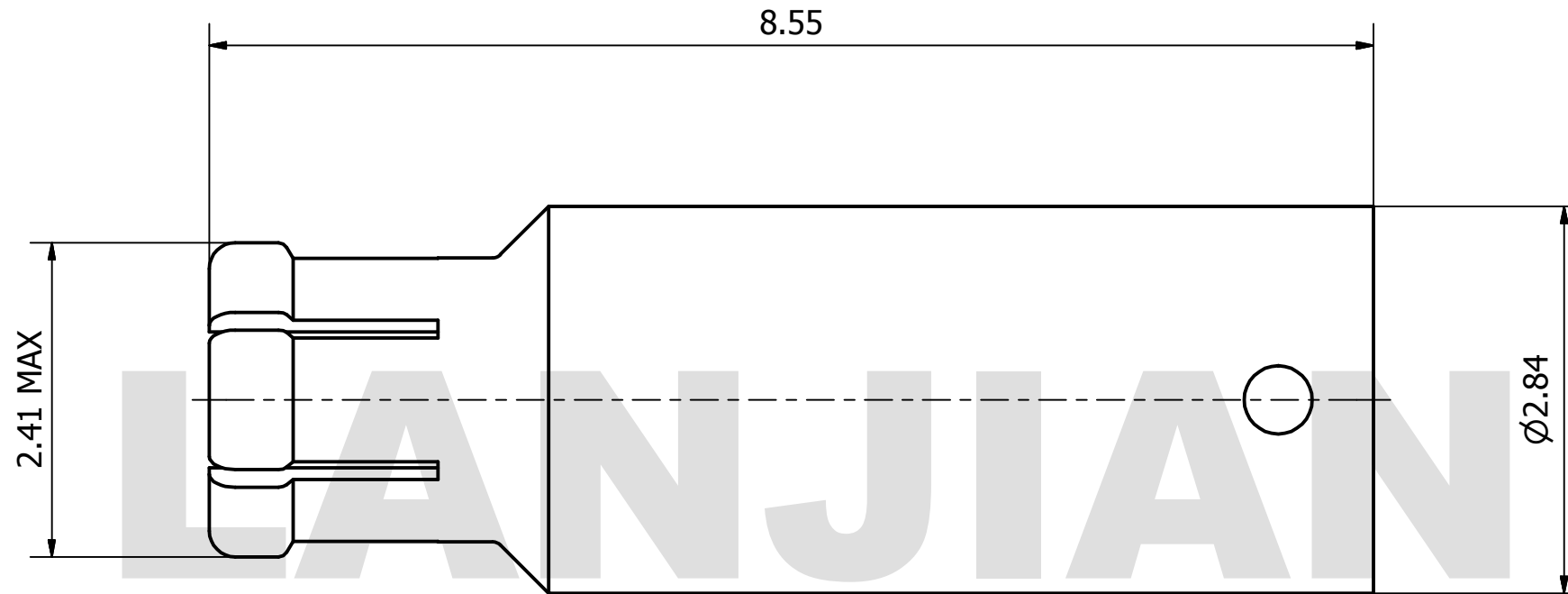


PRODUCT DATA SHEET



MATERIAL:
 BODY: BERYLLIUM COPPER PER ASTM B196.
 ALLOY NO. UNS C17300
 JACK: BERYLLIUM COPPER PER ASTM B196.
 ALLOY NO. UNS C17300
 INSULATOR: PTFE PER ASTM D1710

PERFORMANCE:
 IMPEDANCE: 50 OHMS
 FREQUENCY: DC TO 40 GHz
 VSWR: ≤ 1.35

| | | | | | | |
|--|--|--------|-------------------------|--|-------|------------------------------------|
| THIS DOCUMENT CONTAINS CONFIDENTIAL AND PROPRIETARY INFORMATION THAT CANNOT BE REPRODUCED OR DIVULGED, IN WHOLE OR IN PART, WITHOUT WRITTEN AUTHORIZATION FROM "LANJIAN ELECTRONICS" | MATERIAL : | | | LANJIAN ELECTRONICS 38 Hengtong Road, Xinqu Dingmao Zhenjiang, 212009, Jiangsu, P. R. China | | |
| | UNLESS OTHERWISE SPECIFIED: DIMENSIONS IN MM | | | | | |
| | TOLERANCES : | | | TITLE SMPM-K32 straight cable connector | | |
| | X.X | ± 0.20 | ANGULAR : ± 1° | | | DEBURR AND BREAK SHARP EDGES |
| | X.XX | ± 0.10 | FILLETS R/C : ± 0.10 | | | |
| | X.XXX | ± 0.01 | SURFACE FINISH : Ra 1.6 | | | |
| | NAME | DATE | SIGNATURE | | | |
| DRAWN | | | | | | |
| CHK'D | | | | | | |
| APPV'D | | | | | | |
| MFG | | | | | | |
| PROJECTION | | SIZE | SCALE | | | |
| | | A3 | 20 : 1 | | | |
| DO NOT SCALE THE DRAWING | | | | DWG No. | REV. | |
| PAGE 1 / 1 | | | | GCPZ3.660.H.004 | 1 / 1 | |