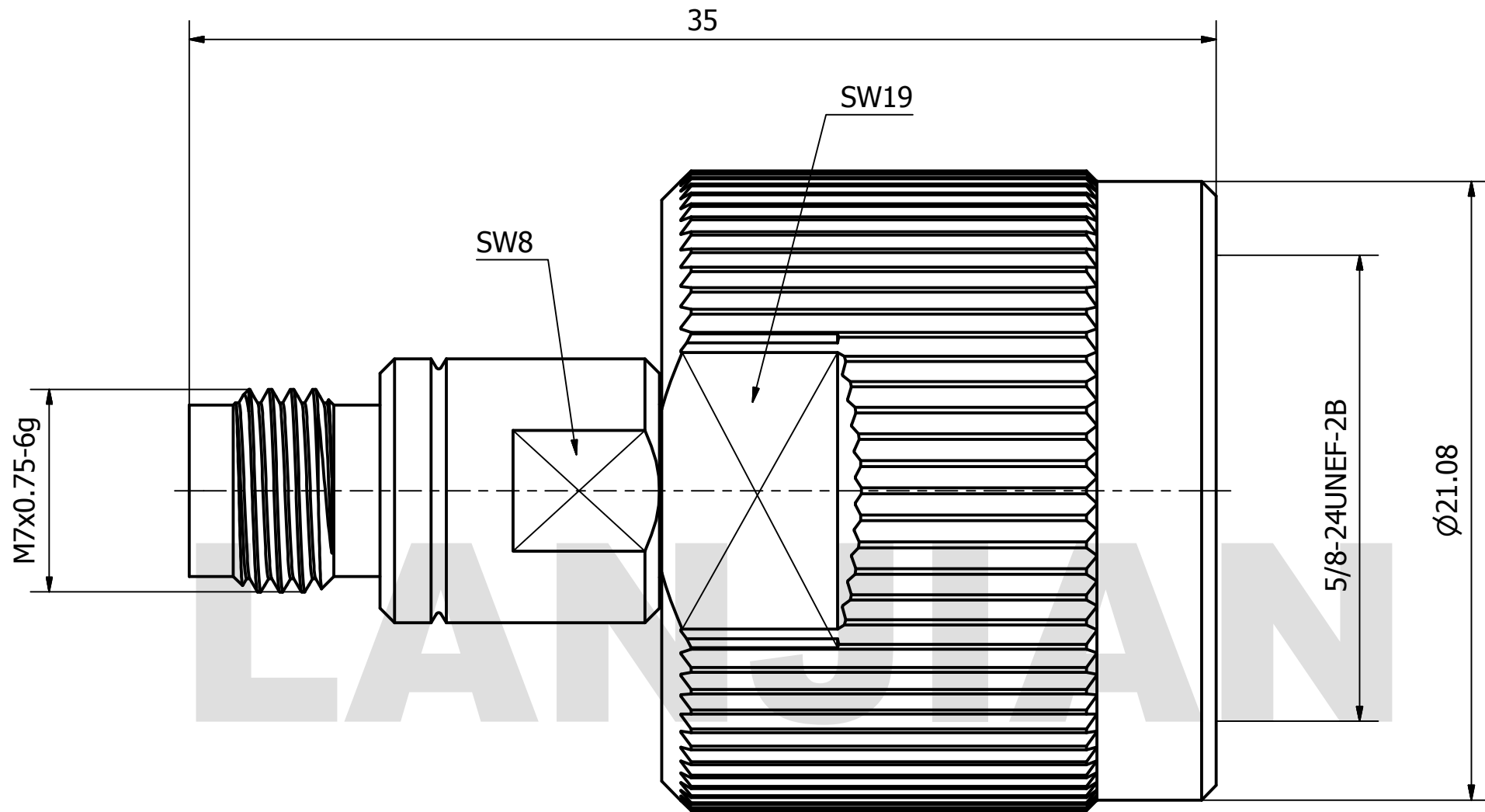


# PRODUCT DATA SHEET



**MATERIAL:**

**BODY:** STAINLESS STEEL PER AMS-5640,  
ALLOY UNS S30300

**CONTACT:** BERYLLIUM COPPER PER ASTM B196.  
ALLOY NO. UNS C17300

**INSULATOR:** PEI

**PERFORMANCE:**

**IMPEDANCE:** 50 OHMS

**FREQUENCY:** DC TO 50 GHz

**VSWR:** ≤1.25

THIS DOCUMENT CONTAINS CONFIDENTIAL AND PROPRIETARY INFORMATION THAT CANNOT BE REPRODUCED OR DIVULGED, IN WHOLE OR IN PART, WITHOUT WRITTEN AUTHORIZATION FROM "LANJIAN ELECTRONICS"	MATERIAL : UNLESS OTHERWISE SPECIFIED: DIMENSIONS IN MM			38 Hengtong Road, Xinqu Dingmao Zhenjiang, 212009, Jiangsu, P. R. China	
	TOLERANCES : X.X ±0.20    ANGULAR : ±1°    DEBURR AND X.XX ±0.10    FILLETS R/C : ±0.10    BREAK SHARP X.XXX ±0.01    SURFACE FINISH : Ra 1.6    EDGES				
		NAME	DATE	SIGNATURE	
	DRAWN				
	CHK'D				
	APPV'D				
MFG					
PROJECTION 		SIZE A3	SCALE 5: 1	DWG No.    REV. GCPZ3.640.O.005	
DO NOT SCALE THE DRAWING				PAGE 1 / 1	

**LANJIAN ELECTRONICS**

38 Hengtong Road, Xinqu Dingmao  
Zhenjiang, 212009, Jiangsu, P. R. China

TITLE  
**NMD2.4-KK straight adaptor**

DWG No.    REV.  
GCPZ3.640.O.005   

DO NOT SCALE THE DRAWING    PAGE 1 / 1